

MERITOR®

An **ArvinMeritor**® Brand

DRIVE AXLE PARTS CATALOG



PB-9049
Revised 06/07

TABLE OF CONTENTS

SEE FOLLOWING PAGES FOR DETAILS

Gearsets by Part Number	1
Gearsets by Pinion Number	2
Axle Shafts by Part Number	3
Axle Shafts by Dimensions	4
Axle Shaft Forgings to Finish Listing	5
Axle Shafts Supercession Listing	6

For additional parts and information, visit our online catalog at:
www.XpresswayPlus.com

HOW TO USE THIS CATALOG

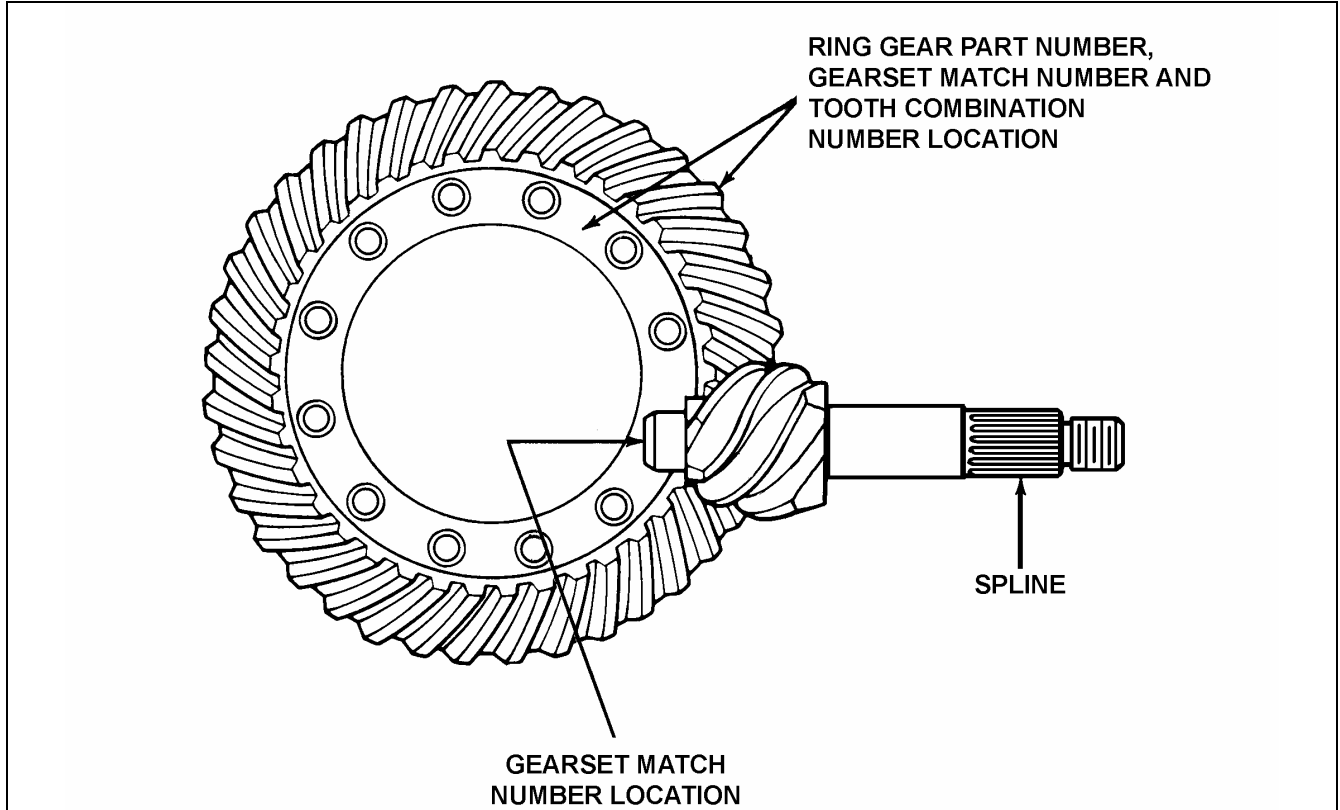
Gearsets – There are two gearset sections. Each section lists the gearset part numbers according to different criteria.

- **Section 1** lists all the gearset part numbers in numerical order including those part numbers that are obsolete or superseded. Always check the remarks column to see if the gearset you are looking at is obsolete or superseded. Also included for each gearset are the axle models the gearset is used on, pinion part number, tooth count, ratio, pinion spline size, hardware included with the gearset, and the recommended fasteners.
- **Section 2** is used if you know the pinion part number for the gearset you want to replace. This section lists the gearset for each pinion. Like Section 1, this section lists all gearsets including those that are obsolete or superseded. Always check the remarks column to see if the gearset you are looking at is obsolete or superseded.

Axle Shafts – There are three axle shaft sections. The first two of these include complete specifications for identifying the axle shaft.

- **Section 3** lists the axle shafts in numerical order according to the part numbers. Specifications of each part is listed.
- **Section 4** lists the axle shafts in order according to dimensions.
- **Section 5** is a cross reference listing the axle shaft forging numbers and corresponding finished part numbers. This section is in numerical order according to the forging number.
- **Section 6** is a supersession and obsolescence listing for axle shafts.

TYPICAL GEAR SET



GEARSETS BY PART NUMBER

Gearset	Model	Pinion	Tooth Count	Ratio	Spline Size	Hardware Included	Gear to Case Fastener (1)	Remarks
A-33650	58267	33905	7-39T	5.57	1.38T		RV71014	
A-33693-1		33614 (gr)	5-39T	7.80				
A-33714	58221	34379	9-41T	4.56	1.38T			
A-33760	58252	33903	8-41T	5.13	1.38T			
A-33778	53200	33919	5-36T	7.20	1.13T	BR, N, SR		No Longer Avail.
A-33872	58252	33899	6-37T	6.17	1.38T			
A-33907-1		33614 (gr)	5-39T	7.80				
A-33909-1		33606 (gr)	6-41T	6.83				
A-33911-1	58000	33608 (gr)	7-43T	6.14	1.38T			
A-33924	59017	33953	9-41T	4.56	1.89T			
A-33926	53664	33927	7-34T	4.86	1.14T	BR, N, SR		
A-33927-1	53664	33926 (gr)	7-34T	4.86	1.14T	BR, SR		
A-33931-1	54000	33930 (gr)	5-34T	6.80	1.26T			
A-33933-1	54000	33932 (gr)	6-35T	5.83	1.26T			
A-33935-1	54000	33934 (gr)	7-34T	4.86	1.26T			
A-33937-1	54000	33936 (gr)	7-32T	4.57	1.26T			
A-33944	59017	33955	8-45T	5.63	1.89T			
A-33946	53661, 53662	33947	7-32T	4.57	1.14T	BR, N, SR		
A-33947-1	53661, 53662	33946 (gr)	7-32T	4.57	1.14T			
A-33948	59017	33957	8-49T	6.13	1.89T			
A-33974	59017	33975	11-45T	4.09	1.89T			
A-33997-1	58300	33610 (gr)	8-42T	5.25	1.38T			
A-33999-1	54000	33998 (gr)	8-33T	4.13	1.26T			
A-34259-1	53300	34258 (gr)	7-36T	5.14	1.14T			
A-34261-1	53300	34262 (gr)	6-34T	5.67	1.14T			
A-34262-1	53520	34283	6-34T	5.67	1.14T	BR, N, SR		
A-34262-2	53520	34283	6-34T	5.67	1.14T			
A-34263-1	53300	34264 (gr)	5-33T	6.60	1.14T	BR, SR		
A-34264-1	53520	34279	5-33T	6.60	1.14T			No Longer Avail.
A-34264	53520	34279	5-33T	6.60	1.14T	BR, N, SR		No Longer Avail.
A-34271-1	53520	34258 (gr)	7-36T	5.14	1.14T	BR, SR		No Longer Avail.
A-34274-1	53520	34275	7-32T	4.57	1.14T	BR, N, SR		
A-34274	53520	34275	7-32T	4.57	1.14T			
A-34275-1	53520	34274 (gr)	7-32T	4.57	1.14T	BR, SR		No Longer Avail.
A-34277-1	53300	34276 (gr)	5-31T	6.20	1.14T	BR, SR		No Longer Avail.
A-34281-1	53520	34276 (gr)	5-31T	6.20	1.14T	BR, SR		Repl. by A-34724-1
A-34283-1	53520	34262 (gr)	6-34T	5.67	1.14T	BR, SR		No Longer Avail.
A-34293-1		34292 (gr)	7-34T	4.86		BR, SR		
A-34295-1	54410	34294 (gr)	6-35T	5.83	1.14T	BR, SR		
A-34295-3	54410	34294 (gr)	6-35T	5.83	1.14T			
A-34297-1	54410	34296 (gr)	5-34T	6.80	1.14T	BR, SR		
A-34297-3	54410	34296 (gr)	5-34T	6.80	1.14T			
A-34307-1	54410	34306 (gr)	7-34T	4.86	1.14T	BR, SR		
A-34307-3	54410	34306 (gr)	7-34T	4.86	1.14T			
A-34329-1	56400	34328 (gr)	5-37T	7.40	1.26T			
A-34331-1	56400	34330 (gr)	6-37T	6.17	1.26T			
A-34335-1	56400	34334 (gr)	7-37T	5.29	1.26T			
A-34337-1	56400	34336 (gr)	9-40T	4.44	1.26T			
A-34338-1	56400	34339	6-41T	6.83	1.26T	BR, N, SR		No Longer Avail.
A-34338	56400	34339	6-41T	6.83	1.26T			No Longer Avail.
A-34339-1	56400	34338 (gr)	6-41T	6.83	1.26T			No Longer Avail.
A-34342-1	53587	34951	6-35T	5.83	1.14T			No Longer Avail.
A-34342-2	TA268	3890G449	6-35T	5.83	1.38-10	BR, SR		

HARDWARE KEY

B - Bolt or Capscrew **BN** - Button **BR** - Bearing or Bearing Race **MN** - Metric Nut
N - Nut **Q** - Quill **R** - Retainer **RV** - Rivet
S - Shim **SG** - Spur Gear **SR** - Snap Ring or Lock Ring **W** - Washer

SPLINE SIZE KEY

T - Tapered **STR** - Straight

(1) Recommended fasteners, not included with gearset.

(gr) Ring gear

GEARSETS BY PART NUMBER

Gearset	Model	Pinion	Tooth Count	Ratio	Spline Size	Hardware Included	Gear to Case Fastener (1)	Remarks
A-34342-3	53587	34951	6-35T	5.83	1.14T	BR, N, SR		No Longer Avail.
A-34342-4	TA268	3890G449	6-35T	5.83	1.38-10			Use A-34342-2
A-34342-5	53587	34951	6-35T	5.83	1.14T			
A-34342-6	53587	34951	6-35T	5.83	1.14T	BR, SR		Repl. by A-34242-3
A-34342	53517W	34777	6-35T	5.83	1.14T			
A-34412	59030	34413	12-43T	3.58	2.25-6			
A-34502	53566	34773	6-40T	6.67	1.14T	BR, SR		Repl. by A-35370-3
A-34506-1	F34, F35, F37	34895	6-40T	6.67	1.14T			Repl. by A-35370
A-34506-2	F34, F35, F37	34895	6-40T	6.67	1.14T	BR, SR		Repl. by A-35370
A-34506	53554	34779	6-40T	6.67	1.26T			
A-34507-1	53520	34506 (gr)	6-40T	6.67	1.14T			Repl. by A-35371-1
A-34532-1	59070	34993	15-53T	3.53	2.25-10			Repl. by A-35290
A-34532	59017, 59023	34533	15-53T	3.53	1.89T			
A-34540	54410	34541	7-38T	5.43	1.14T			
A-34548	51524	34729	6-40T	6.67	1.07T			Repl. by A-34802-9
A-34552	51524	34733	9-37T	4.11	1.07T			Repl. by A-34800-12
A-34557-1	54414	34296 (gr)	5-34T	6.80	1.14T			
A-34559-1	54414	34294 (gr)	6-35T	5.83	1.14T			No Longer Avail.
A-34561-1	54414	34306 (gr)	7-34T	4.86	1.14T			Repl. by A-34307-1
A-34566	53303	34567	5-34T	6.80	1.14T			
A-34569-1	53300	34506 (gr)	6-40T	6.67	1.14T			
A-34574	54467, SBD1001	34603	6-35T	5.83	1.14T			
A-34600	54467, SBD1001	34601	7-34T	4.86	1.14T			
A-34606	56466, 56467, SBD1502	34607	5-37T	7.20	1.26T			
A-34608	56466, 56467, SBD1502	34609	6-41T	6.83	1.26T			
A-34610-1	56434W	35175	6-37T	6.17	1.50-10			
A-34610	56466, 56467, SBD1502	34611	6-37T	6.17	1.26T			
A-34612-1	56434W	35207	7-40T	5.71	1.50-10			
A-34612	56466, 56467, SBD1502	34613	7-40T	5.71	1.26T			
A-34614-1	56434W	35187	7-37T	5.29	1.50-10			
A-34614	56466, 56467, SBD1502	34615	7-37T	5.29	1.26T			
A-34616	56466, 56467, SBD1502	34617	9-40T	4.44	1.26T			
A-34626	51524	34731	7-34T	4.86	1.07T			Repl. by A-34798-10
A-34662	55417	34663	5-37T	7.20	1.14T			
A-34664	55417	34665	7-44T	6.29	1.14T			
A-34666	55417	34667	7-40T	5.71	1.14T			
A-34686	76415W	34687	9-21T	2.33	1.50-10	N		
A-34712-1	53589	35023	7-36T	5.14	1.14T	BR, N, SR		No Longer Avail.
A-34712-2	53570	34713	7-36T	5.14	1.14T	BR, N, SR		No Longer Avail.
A-34712-3	53570	34713	7-36T	5.14	1.14T			No Longer Avail.
A-34712	53589	35023	7-36T	5.14	1.14T			No Longer Avail.
A-34713-1	53570	34712 (gr)	7-36T	5.14	1.14T	BR, SR		No Longer Avail.
A-34718	53200, 53600, 53662	34719	6-37T	6.17	1.14T	BR, N, SR		No Longer Avail.
A-34724-1	53520	34761	6-37T	6.17	1.14T	BR, N, SR		No Longer Avail.
A-34724-2	53520	34761	6-37T	6.17	1.14T			No Longer Avail.
A-34724-3	53308	38063	6-37T	6.17	1.50-10			Ditchwitch
A-34724-4	53308	38063	6-37T	6.17	1.50-10	N	KIT 946	Ditchwitch

HARDWARE KEY

B - Bolt or Capscrew **BN** - Button **BR** - Bearing or Bearing Race **MN** - Metric Nut
N - Nut **Q** - Quill **R** - Retainer **RV** - Rivet
S - Shim **SG** - Spur Gear **SR** - Snap Ring or Lock Ring **W** - Washer

SPLINE SIZE KEY

T - Tapered **STR** - Straight

(1) Recommended fasteners, not included with gearset.

(gr) Ring gear

GEARSETS BY PART NUMBER

Gearset	Model	Pinion	Tooth Count	Ratio	Spline Size	Hardware Included	Gear to Case Fastener (1)	Remarks
A-34726-1	53587, PR35	34885	6-34T	5.67	1.14T	BR, N, SR	KIT 946	No Longer Avail.
A-34726	F35	34885	6-34T	5.67	1.14T		KIT 946	No Longer Avail.
A-34740	76733	34741	14-27T	1.92	1.96-10	N		
A-34770	95417	34771	9-23T	2.56	1.50-10	N		
A-34788	76733	34741	14-27T	1.92	1.96-10	N		
A-34794-1	53570	34795	6-31T	5.17	1.14T			No Longer Avail.
A-34794	53570	34795	6-31T	5.17	1.14T	BR, N, SR		No Longer Avail.
A-34798-1	TA264	3890L376	7-34T	4.86	1.38-10	BR, N, SR		No Longer Avail.
A-34798-10	51524A	36141	7-34T	4.86	1.07T	BR, SR		No Longer Avail.
A-34798-11	51521	34699	7-34T	4.86	1.25-10	BR, SR		No Longer Avail.
A-34798-12	51524	37221	7-34T	4.86	1.38-10	BR, SR		No Longer Avail.
A-34798-13	51521	37169	7-34T	4.86	1.25-10	BR, SR		No Longer Avail.
A-34798-14	TA173	3890T384	7-34T	4.86	1.38-10	N		
A-34798-2	TA173	3890T384	7-34T	4.86	1.38-10			
A-34798-3	51524	3890H107	7-34T	4.86				No Longer Avail.
A-34798-4	TA140	3890W361	7-34T	4.86	1.38-10			
A-34798-5	TA140	3890D342	7-34T	4.86	1.38-10			No Longer Avail.
A-34798-6	TA264	3890K375	7-34T	4.86	1.38-10	BR, SR		No Longer Avail.
A-34798-7	TA199	3890H372	7-34T	4.86	1.25-10	BR, N, SR		No Longer Avail.
A-34798-8	51524A	36141	7-34T	4.86	1.07T			No Longer Avail.
A-34798-9	TA281	3890G423	7-34T	4.86	1.50-10	BR, SR		No Longer Avail.
A-34798	51636	34695	7-34T	4.86	1.07T	BR, SR		
A-34800-1	TA140	3890S357	9-37T	4.11	1.38-10			No Longer Avail.
A-34800-10	51524A	36139	9-37T	4.11	1.07T			
A-34800-11	PROJ 2546-3	3890J426	9-37T	4.11	1.25-6	BR, SR		No Longer Avail.
A-34800-12	51524A	36139	9-37T	4.11	1.07T	BR, N, SR		
A-34800-13	51521	34701-2	9-37T	4.11	1.25-10	BR, SR		No Longer Avail.
A-34800-14	TA173	3890Y389	9-37T	4.11	1.38-10	BR, N, SR		No Longer Avail.
A-34800-2	TA173	35767	9-37T	4.11	1.25-10			No Longer Avail.
A-34800-3	TA173	3890Y389	9-37T	4.11	1.38-10			No Longer Avail.
A-34800-4	TA173	3890G371	9-37T	4.11	1.38-10			No Longer Avail.
A-34800-5	TA140	3890A339	9-37T	4.11	1.38-10			No Longer Avail.
A-34800-6		A3890H105	9-37T	4.11	1.38-10			No Longer Avail.
A-34800-7	TA199	3890Q381	9-37T	4.11	1.25-10	BR, N, SR		
A-34800-8	TA173	3890K401	9-37T	4.11	1.38-10	BR, N, SR		No Longer Avail.
A-34800	51626	34577	9-37T	4.11	1.07T			Repl. by A-34800-10
A-34802-1	TA152, TA153	3890F370	6-40T	6.67	1.38-10	BR, SR		No Longer Avail.
A-34802-10	TA173	3890Q459	6-40T	6.67	1.25-6	BR, SR		No Longer Avail.
A-34802-11	51525, 51526	34697	6-40T	6.67	1.25-10	BR, SR		No Longer Avail.
A-34802-12	PROJ 850	37225	6-40T	6.67	1.50-10			No Longer Avail.
A-34802-14	51534	35581	6-40T	6.67	1.38-10			No Longer Avail.
A-34802-15	TA199	3890Z390	6-40T	6.67	1.25-10			
A-34802-16	TA153	3890M377	6-40T	6.67	1.38-10			No Longer Avail.
A-34802-17	G459	3890Y441	6-40T	6.67	1.50-10			No Longer Avail.
A-34802-18	51626	34693	6-40T	6.67	1.07T			Repl. by A-34802-5
A-34802-19	51521	34697	6-40T	6.67	1.25-10			No Longer Avail.
A-34802-2	TA153	3890M377	6-40T	6.67	1.38-10	BR, N, SR		No Longer Avail.
A-34802-20	TA173	3890F370	6-40T	6.67	1.38-10			No Longer Avail.
A-34802-21	TA199	3890Z390	6-40T	6.67	1.25-10			Dup. to A-34802-15
A-34802-22	TA173	3890Q459	6-40T	6.67	1.25-6			No Longer Avail.
A-34802-3	51534, T231	3890J374	6-40T	6.67	1.38-10			
A-34802-4	TA199	A3890Z390	6-40T	6.67	1.25-10	BR, SR		

HARDWARE KEY

B - Bolt or Capscrew **BN** - Button **BR** - Bearing or Bearing Race **MN** - Metric Nut
N - Nut **Q** - Quill **R** - Retainer **RV** - Rivet
S - Shim **SG** - Spur Gear **SR** - Snap Ring or Lock Ring **W** - Washer

SPLINE SIZE KEY

T - Tapered **STR** - Straight

(1) Recommended fasteners, not included with gearset.

(gr) Ring gear

GEARSETS BY PART NUMBER

Gearset	Model	Pinion	Tooth Count	Ratio	Spline Size	Hardware Included	Gear to Case Fastener (1)	Remarks
A-34802-5	51524	36145	6-40T	6.67	1.07T			No Longer Avail.
A-34802-6	G459	3890Y441	6-40T	6.67	1.50-10	BR, SR		No Longer Avail.
A-34802-8	51534	35581	6-40T	6.67	1.38-10	BR, SR		No Longer Avail.
A-34802-9	51524, 51526	36145	6-40T	6.67	1.07T	BR, N, SR		No Longer Avail.
A-34802	51626	34693	6-40T	6.67	1.07T	BR, SR		Repl. by A-34802-9
A-34804	55450	34805	9-34T	3.78	1.62-6			
A-34806	56411	34807	7-36T	5.14	1.25T			
A-34808	59017	34809	7-36T	5.14	1.89T			
A-34812	97410	34839	9-25T	2.67	1.75-10	N		
A-34813	96410	34811	9-25T	2.67	1.50-10			No Longer Avail.
A-34814-1	TA173	3890R382	7-39T	5.57	1.38-10			No Longer Avail.
A-34814-10	TA173	36143	7-39T	5.57	1.07T	BR, N, SR		
A-34814-11	51523	34827	7-39T	5.57	1.25-10	BR, SR		
A-34814-13	51534	3890H102	7-39T	5.57	1.38-10			
A-34814-14	TA173	3890R382	7-39T	5.57	1.38-10	N		No Longer Avail.
A-34814-15	TA173	3890R408	7-39T	5.57	1.38-10			
A-34814-2	TA173	3890H108	7-39T	5.57	1.38-10			
A-34814-3	TA173	3890F396	7-39T	5.57	1.25-10			
A-34814-4	TA153	A3890H97	7-39T	5.57	1.38-10			
A-34814-5	51534, TA173	A3890H102	7-39T	5.57	1.38-10			
A-34814-6	TA199	3890D368	7-39T	5.57	1.38-10	BR, SR		
A-34814-7	TA173	3890R408	7-39T	5.57	1.38-10	BR, N, SR		
A-34814-8	TA173	36143	7-39T	5.57	1.07T			
A-34814-9	PROJ2546-3, TA173	3890L428	7-39T	5.57	1.25-6	BR, SR		
A-34814	51524	36143	7-39T	5.57	1.07T	BR, SR		
A-34824	59028	34825	7-39T	5.57	2.25-10			
A-34844	58283	34845	7-36T	5.14	2-10			
A-34858	F35, F36, R36	34895	6-40T	6.67	1.14T			Repl. by A-35370-5
A-34860-2	53661, 53662	34861	5-33T	6.60	1.14T	BR, N, SR		No Longer Avail.
A-34861-1	53661, 53662	34860 (gr)	5-33T	6.60	1.14T			
A-34861-2	53661, 53662	34860 (gr)	5-33T	6.60	1.14T	BR, SR		
A-34870	58307	34973	9-37T	4.11	1.36T			
A-34872-1	58285	35079	9-41T	4.56	2-10			
A-34872-2	58350	34879	9-41T	4.56	1.62-6			
A-34872	58252	34873	9-41T	4.56	1.36T			
A-34876	79740	34877	14-25T	1.79	2.25-10			Repl. by A-36758
A-34881-1	F30	34880 (gr)	7-36T	5.14	1.14T			
A-34882	G364	34883	8-21T	2.62	1.50-10	N		
A-34888-1	F35	34889	5-34T	6.80	1.14T	BR, N, SR		No Longer Avail.
A-34888	F35	34889	5-34T	6.80	1.14T			No Longer Avail.
A-34891-1	56400	34890 (gr)	9-40T	4.44	1.25T			
A-34896		34897	6-40T	6.67				
A-34905-1	58301	34904 (gr)	6-41T	6.83	1.36T			
A-34906-1	58305	34907	7-39T	5.57	1.36T			
A-34906-2	SBD1555	35263	7-39T	5.57	1.62-10			
A-34906	SBD1555	35263	7-39T	5.57	1.62-10	N		
A-34920	H100	34921	5-36T	7.20	1.62-10			Repl. by A-35352-1
A-34922	H100	34923	7-37T	5.29	1.62-10			Repl. by A-35358
A-34924	Q100, Q145	34925	7-37T	5.29	1.88-10			Repl. by A-35150
A-34926	Q100, Q145	34927	6-37T	6.17	1.88-10			Repl. by A-35146
A-34928	Q100, Q145	34929	5-39T	7.80	1.88-10			Use A-35162

HARDWARE KEY

B - Bolt or Capscrew **BN** - Button **BR** - Bearing or Bearing Race **MN** - Metric Nut
N - Nut **Q** - Quill **R** - Retainer **RV** - Rivet
S - Shim **SG** - Spur Gear **SR** - Snap Ring or Lock Ring **W** - Washer

SPLINE SIZE KEY

T - Tapered **STR** - Straight

(1) Recommended fasteners, not included with gearset.

(gr) Ring gear

GEARSETS BY PART NUMBER

Gearset	Model	Pinion	Tooth Count	Ratio	Spline Size	Hardware Included	Gear to Case Fastener (1)	Remarks
A-34940	J151	34941	6-34T	5.67	1.62-10			Repl. by A-35084
A-34944	53589	34965	6-35T	5.83	1.14T			
A-34946	55450	34947	6-35T	5.83	1.62-6			
A-34952	J151	34953	7-37T	5.29	1.62-10			
A-34954	J151	34955	7-34T	4.86	1.62-10			
A-34958-1	TA268	3890G397	7-36T	5.14	1.38-10			
A-34958-2	53587	3890G397	7-36T	5.14	1.38-10	BR, SR		
A-34958-3	53587	34959	7-36T	5.14	1.14T	BR, N, SR		No Longer Avail.
A-34958-4	53587	34959	7-36T	5.14	1.14T			
A-34958-5	53587	34959	7-36T	5.14	1.14T	BR, SR		
A-34958	53587	34959	7-36T	5.14	1.14T			No Longer Avail.
A-34960	J151	34961	9-37T	4.11	1.62-10			
A-34966-1	H100	34967	6-37T	6.17	1.62-10	BR, W		No Longer Avail.
A-34966	H100	34967	6-37T	6.17	1.62-10			No Longer Avail.
A-34968	H100	34969	5-34T	6.80	1.62-10			No Longer Avail.
A-34970	Q100, Q145	34971	6-41T	6.83	1.88-10			Repl. by A-35168
A-34974	900C	34975	5-37T	7.40	1.75-10			
A-34978	57452	35241	7-38T	5.43	2-10			
A-34980	57452	35243	7-36T	5.14	2-10			
A-34982	57452	35245	7-33T	4.57	2-10			
A-34984	501C	34985	5-34T	6.80	1.50-10			No Longer Avail.
A-34986	500C	34987	7-37T	5.29	1.50-10			No Longer Avail.
A-34988	501C	34989	5-31T	6.20	1.50-10			No Longer Avail.
A-34990	501C	34991	6-34T	5.67	1.50-10			Repl. by A-35198-1
A-34994	58455	34995	8-31T	3.88	2-6			
A-34998	1300C	35049	8-37T	4.11	2-10			
A-35002	1300C	35041	5-37T	7.40	2-10			Repl. by A-35132
A-35006	1300C	35043	6-41T	6.83	2-10			Repl. by A-40680-6
A-35008	1300C	35045	6-37T	6.17	2-10			
A-35012	1300C	35047	7-37T	5.29	2-10			
A-35014-1	54412	35015	6-35T	5.83	1.14T	BR, SR		
A-35014-2	54412	35015	6-35T	5.83	1.14T	BR, SR		
A-35014	54412	35015	6-35T	5.83	1.14T			
A-35016	57452	35247	6-35T	5.83	2-10			
A-35018		35019		6.86				
A-35020	53440	35021	6-35T	5.83	1.14T			
A-35022	53589	35023	7-36T	5.14	1.14T			
A-35024	58268	35025	8-41T	5.13	1.36T			
A-35026-1	58285	35037	6-37T	6.17	2-10			
A-35026	58268	35027	6-37T	6.17	1.36T			
A-35028	900C	35029	6-37T	6.17	1.75-10			No Longer Avail.
A-35030	900C	35031	7-37T	5.29	1.75-10			Repl. by A-35812-18
A-35034	SBD1555	35035	5-39T	7.80	1.62-10			
A-35052-1	59035	35065	9-32T	3.55	2.25-6			No Longer Avail.
A-35052-3	58460, 59044	35217	9-32T	3.55	2.50-16	N		No Longer Avail.
A-35052	58460, 59044	35217	9-32T	3.55	2.50-16			No Longer Avail.
A-35054-1	58460, 59044	35219	8-31T	3.88	2.50-16	N		No Longer Avail.
A-35054	58460, 59044	35219	8-31T	3.88	2.50-16			No Longer Avail.
A-35056-1	59035	35067	8-33T	4.13	2.25-6			
A-35056	58460, 59044	35221	8-33T	4.13	2.50-16			
A-35058	58460, 59044	35223	7-32T	4.57	2.25-16			

HARDWARE KEY

B - Bolt or Capscrew **BN** - Button **BR** - Bearing or Bearing Race **MN** - Metric Nut
N - Nut **Q** - Quill **R** - Retainer **RV** - Rivet
S - Shim **SG** - Spur Gear **SR** - Snap Ring or Lock Ring **W** - Washer

SPLINE SIZE KEY

T - Tapered **STR** - Straight

(1) Recommended fasteners, not included with gerset.

(gr) Ring gear

GEARSETS BY PART NUMBER

Gearset	Model	Pinion	Tooth Count	Ratio	Spline Size	Hardware Included	Gear to Case Fastener (1)	Remarks
A-35060	900C	35061	6-41T	6.83	1.75-10			No Longer Avail.
A-35062	L100	35063	9-37T	4.11	1.75-10	N		Repl. by A-35818-20
A-35072-1	53710	35073	7-36T	5.14	1.75-STR			No Longer Avail.
A-35072	53710	35073	7-36T	5.14	1.75-STR	BR, SR		No Longer Avail.
A-35074		35075	5-36T	7.20				
A-35076	SBD1055	35077	5-37T	7.40	1.50-10			
A-35080	51524	36149	8-39T	4.88	1.07T	BR, SR		
A-35084	J151	35085	6-35T	5.83	1.62-10			
A-35086	55430	35087	9-35T	3.89	1.26T			
A-35088	51524	36151	8-43T	5.38	1.07T	BR, SR		No Longer Avail.
A-35090	51524	36153	6-37T	6.17	1.07T	BR, SR		
A-35094-1	59035	35095	11-35T	3.18	2.25-6			No Longer Avail.
A-35094	58460, 59044	35225	11-35T	3.18	2.50-16			
A-35096	58433	35097	9-41T	4.56	1.36T			
A-35098		35099	6-37T	6.17	2-10			
A-35100		35101	7-39T	5.57	2-10			
A-35102		35103	7-37T	5.29	2-10			
A-35104	Q100, Q145	35105	8-37T	4.63	1.88-10		KIT 570	Use A-35612-2
A-35110-1	57460, 59045	35231	6-31T	5.17	2.50-16	N		
A-35110	57460, 58470, 59045	35231	6-31T	5.17	2.50-16			Coach Spline Bore
A-35120-1	57460, 59045	35233	7-33T	4.71	2.50-16	N		No Longer Avail.
A-35120	57460, 59045	35233	7-33T	4.71	2.50-16			No Longer Avail.
A-35126-1	SPD760	35465	6-40T	6.67	1.14T	BR, N, SR	KIT 946	No Longer Avail.
A-35126-11	PRTA134	38143X	6-40T	6.67	1.50-10		KIT 946	Use A35126-8
A-35126-12	PRTA134	38143X	6-40T	6.67	1.50-10	BR, SR	KIT 946	Use A 35126-5 and 1227-M-117
A-35126-2	53715, 53716	35127	6-40T	6.67	1.75-STR	BR, SR	KIT 946	
A-35126-3	SPD760	35465	6-40T	6.67	1.14T		KIT 946	No Longer Avail.
A-35126-4	SBD760	37527	6-40T	6.67	1.14T	BR, SR	KIT 946	
A-35126-5	PR35	37531	6-40T	6.67	1.50-10	BR, SR	KIT 946	11.50 long
A-35126-6	PR35	37541	6-40T	6.67	1.50-10	BR, SR	KIT 946	No Longer Avail.
A-35126-7	PR35	37541	6-40T	6.67	1.50-10		KIT 946	No Longer Avail.
A-35126-8	PR35	37531	6-40T	6.67	1.50-10		KIT 946	11.50 long
A-35126-9	53715, 53716	35127	6-40T	6.67	1.75-STR		KIT 946	
A-35126	53565	35205	6-40T	6.67	1.07T	BR, SR	KIT 946	No Longer Avail.
A-35132	R155, SHR	35133	5-37T	7.40	1.96-10		KIT 2393	
A-35134-1	R155, SHR	35311	6-41T	6.83	1.96-10	N, R, BR, W	KIT 2393	No Longer Avail.
A-35134-12	R155, SHR	37825	6-41T	6.83	2-39	BR, N, R, W	KIT 2393	Repl. by A-40680-4
A-35134-2	R155, SHR	35311	6-41T	6.83	1.96-10	N, R, W	KIT 2393	No Longer Avail.
A-35134-3	R155, SHR	35311	6-41T	6.83	1.96-10	N, R, RV, W	KIT 2393	No Longer Avail.
A-35134-4	R155, SHR	35311	6-41T	6.83	1.96-10	N, RV	KIT 2393	Use A-40680-6
A-35134-5	R155, SHR	35311	6-41T	6.83	1.96-10	N	KIT 2393	No Longer Avail.
A-35134-6	R155, SHR	35311	6-41T	6.83	1.96-10	BR, N, R, W	KIT 2393	Repl. by A-40680-7
A-35134-7	R155, SHR	37825	6-41T	6.83	2-39		KIT 2393	Use A-40680-1
A-35134-8	R155, SHR	37825	6-41T	6.83	2-39	N	KIT 2393	Repl. by A-40680-1
A-35134-9	R155, SHR	35311	6-41T	6.83	1.96-10	N	KIT 2393	No Longer Avail.
A-35134	R155, SHR	35311	6-41T	6.83	1.96-10		KIT 2393	Repl. by A-40680-3

HARDWARE KEY

B - Bolt or Capscrew **BN** - Button **BR** - Bearing or Bearing Race **MN** - Metric Nut
N - Nut **Q** - Quill **R** - Retainer **RV** - Rivet
S - Shim **SG** - Spur Gear **SR** - Snap Ring or Lock Ring **W** - Washer

SPLINE SIZE KEY

T - Tapered **STR** - Straight

(1) Recommended fasteners, not included with gearset.

(gr) Ring gear

GEARSETS BY PART NUMBER

Gearset	Model	Pinion	Tooth Count	Ratio	Spline Size	Hardware Included	Gear to Case Fastener (1)	Remarks
A-35136-1	R155, SHR	35313	7-37T	5.29	1.96-10	BR, R, W	KIT 2393	Use A-40674-6
A-35136-10	PROJ12865, R140	36687	7-37T	5.29	1.96-10	N	KIT 2393	No Longer Avail.
A-35136-11	R155, SHR	37835	7-37T	5.29	2-39		KIT 2393	Use A-40674-1
A-35136-12	R155, SHR	37835	7-37T	5.29	2-39	N	KIT 2393	Repl. by A-40674-1
A-35136-13	R155, SHR	35313	7-37T	5.29	1.96-10	B, N, W	KIT 2393	Use A-40674-6
A-35136-14	R155, SHR	37835	7-37T	5.29	2-39	BR, N, R, W	KIT 2393	Repl. by A-40674-5
A-35136-2	R155, SHR	35313	7-37T	5.29	1.96-10	R, W	KIT 2393	Use A-40674-6
A-35136-3	R155, SHR	35313	7-37T	5.29	1.96-10	R, W, SR, RV	KIT 2393	Use A-40674-6
A-35136-4	59690	35473	7-37T	5.29	2.50-16	N	KIT 2393	
A-35136-5	R155, SHR	35313	7-37T	5.29	1.96-10	N, RV	KIT 2393	Use A-40674-6
A-35136-6	R155, SHR	35313	7-37T	5.29	1.96-10	N, R, W	KIT 2393	Use A-40674-6
A-35136-7	PROJ12865, R140	36687	7-37T	5.29	1.96-10		KIT 2393	No Longer Avail.
A-35136-8	R155, SHR	35313	7-37T	5.29	1.96-10	BR, N, R, W	KIT 2393	Use A-40674-6
A-35136-9	R155, SHR	35313	7-37T	5.29	1.96-10	N	KIT 2393	Repl. by A-40674-6
A-35136	R155, SHR	35313	7-37T	5.29	1.96-10		KIT 2393	Repl. by A-40674-3
A-35138	H100	35139	5-36T	7.20	1.62-10			
A-35140-1	58283	35141	7-39T	5.57	2-10			
A-35140	58306	35153	7-39T	5.57	1.36T			
A-35142-1	53581	35143	9-37T	4.11	1.07T	BR, N, SR	KIT 946	Repl. by A-40498-5
A-35142-10	53587	35441	9-37T	4.11	1.14T	BR, SR	KIT 946	
A-35142-12	53587	36561	9-37T	4.11	1.75-STR	N, W	KIT 946	Use A-40498-7
A-35142-2	53581	35441	9-37T	4.11	1.14T		KIT 946	Repl. by A-40498-2
A-35142-3	53581	36561	9-37T	4.11	1.75-STR		KIT 946	No Longer Avail.
A-35142-4	53587	37593X	9-37T	4.11	1.50-10	BR, SR	KIT 946	No Longer Avail.
A-35142-5	53587	35143	9-37T	4.11	1.07T		KIT 946	Repl. by A-40498-4
A-35142-6	53587	35441	9-37T	4.11	1.14T	BR, N, SR	KIT 946	Repl. by A-40498-3
A-35142-7	53587	3890J400	9-37T	4.11	1.38-10	BR, SR	KIT 946	Repl. by A-40498-1
A-35142-8	53587	36561	9-37T	4.11	1.75-STR	BR, SR	KIT 946	Repl. by A-40498-7
A-35142-9	53587	35441	9-37T	4.11	1.14T		KIT 946	Repl. by A-40498-2
A-35142	TA268	3890J400	9-37T	4.11	1.38-10		KIT 946	Repl. by A-40498-1
A-35144	L100	35145	6-37T	6.17	1.75-10		KIT 570	No Longer Avail.
A-35146-1	Q100, Q145	35147	6-37T	6.17	1.88-10	BR, SR	KIT 570	
A-35146-2	Q100, Q145	35147	6-37T	6.17	1.88-10		KIT 570	No Longer Avail.
A-35146	Q100, Q145	35147	6-37T	6.17	1.88-10		KIT 570	
A-35148	L100	35149	6-41T	6.83	1.75-10		KIT 570	No Longer Avail.
A-35150-1	Q100, Q145	35151	7-37T	5.29	1.88-10	BR, SR	KIT 570	
A-35150-2	Q100, Q145	35151	7-37T	5.29	1.88-10		KIT 570	
A-35150	Q100, Q145	35151	7-37T	5.29	1.88-10		KIT 570	
A-35153-1	58300	35153	7-39T	5.57	1.36T		KIT 570	
A-35154	900C, L100	35155	5-37T	7.40	1.75-10		KIT 570	
A-35156-1	R155, SHR	35315	6-37T	6.17	1.96-10	BR, N, R, W	KIT 2393	Repl. by A-40678-5
A-35156-10	R155, SHR	35315	6-37T	6.17	1.96-10	B, BR, N, R, W	KIT 2393	
A-35156-11	R155, SHR	35315	6-37T	6.17	1.96-10	W, N, B, N	KIT 2393	Use A-40678-3
A-35156-12	R155, SHR	38249	6-37T	6.17	2-39	BR, N, R, W	KIT 2393	Repl. by A-40678-4
A-35156-2	R155, SHR	35315	6-37T	6.17	1.96-10	N, R, W	KIT 2393	Use A-40678-3
A-35156-3	R155, SHR	35315	6-37T	6.17	1.96-10	R, RV, W	KIT 2393	Use A-40678-3
A-35156-4	R155, SHR	35315	6-37T	6.17	1.96-10	N	KIT 2393	Repl. by A-40678-3
A-35156-5	R155, SHR	35315	6-37T	6.17	1.96-10	N, R	KIT 2393	Use A-40678-3

HARDWARE KEY

B - Bolt or Capscrew **BN** - Button **BR** - Bearing or Bearing Race **MN** - Metric Nut
N - Nut **Q** - Quill **R** - Retainer **RV** - Rivet
S - Shim **SG** - Spur Gear **SR** - Snap Ring or Lock Ring **W** - Washer

SPLINE SIZE KEY

T - Tapered **STR** - Straight

(1) Recommended fasteners, not included with gearset.

(gr) Ring gear

GEARSETS BY PART NUMBER

Gearset	Model	Pinion	Tooth Count	Ratio	Spline Size	Hardware Included	Gear to Case Fastener (1)	Remarks
A-35156-6	R155, SHR	35315	6-37T	6.17	1.96-10	BR, N, R, W	KIT 2393	No Longer Avail.
A-35156-7	R155, SHR	35315	6-37T	6.17	1.96-10	N	KIT 2393	No Longer Avail.
A-35156-8	R155, SHR	38249	6-37T	6.17	2-39		KIT 2393	Use A-40678-1
A-35156-9	R155, SHR	38249	6-37T	6.17	2-39	N	KIT 2393	Repl. by A-40678-1
A-35156	R155, SHR	35315	6-37T	6.17	1.96-10		KIT 2393	No Longer Avail.
A-35158-1	L100	35159	7-37T	5.29	1.75-10	BR, SR	KIT 570	Repl. by A-35812-11
A-35158-2	L100	35159	7-37T	5.29	1.75-10	N	KIT 570	Repl. by A-35812-18
A-35158-3	LHD, QHD	35723	7-37T	5.29	2-21		KIT 570	Repl. by A-35812-21
A-35158	L100	35159	7-37T	5.29	1.75-10		KIT 570	Use A-35812-18
A-35160-1	53625	35161	6-35T	5.83	1.14T	BR, SR	KIT 946	
A-35160	53625	35161	6-35T	5.83	1.14T	BR, N, SR	KIT 946	
A-35162-1	Q100, Q145	35163	5-39T	7.80	1.88-10	BR, SR	KIT 570	Repl. by A-35622-1
A-35162-2	Q100, Q145	35163	5-39T	7.80	1.88-10		KIT 570	Use A-35622-3
A-35162	Q100, Q145	35163	5-39T	7.80	1.88-10		KIT 570	Use A-35622-3
A-35164	H110	35165	6-35T	5.83	1.63-10		KIT 947	Repl. by A-35356-1
A-35166-1	R155, SHR	35317	5-37T	7.40	1.96-10	BR, N, R, W	KIT 2393	No Longer Avail.
A-35166-10	R155, SHR	35317	5-37T	7.40	1.96-10	W, N, B, N	KIT 2393	Use A-40682-5
A-35166-11	R155, SHR	37827	5-37T	7.40	2-39	BR, N, R, W	KIT 2393	Repl. by A-40682-2
A-35166-2	R155, SHR	35317	5-37T	7.40	1.96-10	N, R, W	KIT 2393	Use A-40682-5
A-35166-3	R155, SHR	35317	5-37T	7.40	1.96-10	R, RV, W	KIT 2393	Use A-40682-5
A-35166-4	R155, SHR	35317	5-37T	7.40	1.96-10	N, RV	KIT 2393	Use A-40682-5
A-35166-5	R155, SHR	35317	5-37T	7.40	1.96-10	N	KIT 2393	Repl. by A-40682-5
A-35166-6	R155, SHR	35317	5-37T	7.40	1.96-10	BR, N, R, W	KIT 2393	Repl. by A-40682-6
A-35166-7	R155, SHR	35317	5-37T	7.40	1.96-10	N	KIT 2393	Repl. by A-40682-5
A-35166-8	R155, SHR	37827	5-37T	7.40	2-39		KIT 2393	Use A-40682-1
A-35166-9	R155, SHR	37827	5-37T	7.40	2-39	N	KIT 2393	Repl. by A-40682-1
A-35166	R155, SHR	35317	5-37T	7.40	1.96-10		KIT 2393	Use A-40682-5
A-35168-1	Q100, Q145	35169	6-41T	6.83	1.88-10	BR, SR	KIT 570	
A-35168-2	Q100, Q145	35169	6-41T	6.83	1.88-10		KIT 570	
A-35168-3	Q100, Q145	35169	6-41T	6.83	1.88-10		KIT 570	
A-35168-4	PROJ8597, Q130	35507	6-41T	6.83	1.88-10		KIT 570	No Longer Avail.
A-35168	Q100, Q145	35169	6-41T	6.83	1.88-10		KIT 570	
A-35170-1	E100	35171	7-37T	5.29	1.50-10	BR, SR	KIT 947	No Longer Avail.
A-35170-2	E100	35171	7-37T	5.29	1.50-10	N	KIT 947	No Longer Avail.
A-35170	E100	35171	7-37T	5.29	1.50-10		KIT 947	No Longer Avail.
A-35172-1	E100	35173	5-34T	6.80	1.50-10	BR, N, SR	KIT 947	No Longer Avail.
A-35172-2	E105	35197	5-34T	6.80	1.50-10		KIT 947	No Longer Avail.
A-35172-3	E100	35173	5-34T	6.80	1.50-10	N	KIT 947	No Longer Avail.
A-35172-4	E105	35197	5-34T	6.80	1.50-10	N	KIT 947	No Longer Avail.
A-35172	E100	35173	5-34T	6.80	1.50-10		KIT 947	No Longer Avail.
A-35176	58350	35177	9-37T	4.11	1.62-6		KIT 570	No Longer Avail.
A-35178-1	R155, SHR	35319	9-37T	4.11	1.96-10	BR, R	KIT 2393	
A-35178-10	R155, SHR	37843	9-37T	4.11	2-39	N	KIT 2393	Repl. by A-40536-1
A-35178-11	R155, SHR	35319	9-37T	4.11	1.96-10	B, N, W	KIT 2393	Use A-40536-3
A-35178-12	R155, SHR	37843	9-37T	4.11	2-39	BR, N, R, W	KIT 2393	Use A-40536-1
A-35178-2	R155, SHR	35319	9-37T	4.11	1.96-10	R	KIT 2393	No Longer Avail.
A-35178-3	R155, SHR	35319	9-37T	4.11	1.96-10	N, R, W	KIT 2393	Use A-40536-3
A-35178-4	R155, SHR	12H1337	9-37T	4.11		N	KIT 2393	No Longer Avail.
A-35178-5	R155, SHR	35319	9-37T	4.11	1.96-10		KIT 2393	Repl. by A-40536-2
A-35178-7	R155, SHR	35319	9-37T	4.11	1.96-10	BR, R, W	KIT 2393	Use A-40536-3
A-35178-8	R155, SHR	35319	9-37T	4.11	1.96-10	BR, N, R, W	KIT 2393	No Longer Avail.

HARDWARE KEY

B - Bolt or Capscrew **BN** - Button **BR** - Bearing or Bearing Race **MN** - Metric Nut
N - Nut **Q** - Quill **R** - Retainer **RV** - Rivet
S - Shim **SG** - Spur Gear **SR** - Snap Ring or Lock Ring **W** - Washer

SPLINE SIZE KEY

T - Tapered **STR** - Straight

(1) Recommended fasteners, not included with gearset.

(gr) Ring gear

GEARSETS BY PART NUMBER

Gearset	Model	Pinion	Tooth Count	Ratio	Spline Size	Hardware Included	Gear to Case Fastener (1)	Remarks
A-35178-9	R155, SHR	37843	9-37T	4.11	2-39		KIT 2393	Use A-40536-1
A-35178	R155, SHR	35319	9-37T	4.11	1.96-10	N	KIT 2393	No Longer Avail.
A-35180-1	H100, H150	35181	7-37T	5.29	1.62-10	BR, SR	KIT 947	
A-35184-1	TA534	3890R356	6-40T	6.67	1.50-10	BR, N, SR	KIT 946	No Longer Avail.
A-35184-2	TA531	35309	6-40T	6.67	1.50-10	BR, SR	KIT 946	
A-35184-3	53512, 53625	35185	6-40T	6.67		BR, N, SR	KIT 946	No Longer Avail.
A-35184-4	TA534	3890R356	6-40T	6.67	1.50-10		KIT 946	No Longer Avail.
A-35184	53625	3890Y337	6-40T	6.67	1.50-10	BR, SR	KIT 946	
A-35185-1	53512, 53625	35184 (gr)	6-40T	6.67	1.14T		KIT 946	
A-35185-2	53512, 53625	35184 (gr)	6-40T	6.67	1.14T	BR, SR	KIT 946	No Longer Avail.
A-35188-1	59145	35251	6-31T	5.16	2.50-16	N, W		No Longer Avail.
A-35188	59145	35251	6-31T	5.16	2.50-16			No Longer Avail.
A-35190	58433	35191	9-37T	4.11	1.36T		KIT 570	
A-35194-1	E100	35195	5-31T	6.20	1.50-10		KIT 947	No Longer Avail.
A-35194-2	E105	35227	5-31T	6.20	1.50-10		KIT 947	No Longer Avail.
A-35194-3	E100	35195	5-31T	6.20	1.50-10	N	KIT 947	No Longer Avail.
A-35194-4	E105	35227	5-31T	6.20	1.50-10	N	KIT 947	No Longer Avail.
A-35194	E100	35195	5-31T	6.20	1.50-10		KIT 947	No Longer Avail.
A-35198-1	E100	35199	6-35T	5.83	1.50-10	BR, SR	KIT 947	
A-35198-2	E105	35299	6-35T	5.83	1.50-10		KIT 947	
A-35198-3	E105	35299	6-35T	5.83	1.50-10	N	KIT 947	
A-35198	E100	35199	6-35T	5.83	1.50-10		KIT 947	
A-35200-1	E100	35481	5-36T	7.20	1.50-10		KIT 947	No Longer Avail.
A-35200-2	E105	35201	5-36T	7.20	1.50-10	N	KIT 947	No Longer Avail.
A-35200-3	E100	35481	5-36T	7.20	1.50-10	N	KIT 947	No Longer Avail.
A-35200	E105	35201	5-36T	7.20	1.50-10		KIT 947	No Longer Avail.
A-35202-1	L100	35203	9-37T	4.11	1.75-10	BR, SR	KIT 570	Repl. by A-35818-12
A-35202-2	LHD, QHD	35613	9-37T	4.11	2-21		KIT 570	Repl. by A-35818-24
A-35202	L100	35203	9-37T	4.11	1.75-10	N	KIT 570	Repl. by A-35818-20
A-35208-1	R155, SHR	35321	8-37T	4.63	1.96-10	N, RV	KIT 2393	Use A-40544-3
A-35208-10	R155, SHR	37839	8-37T	4.63	2-39	N	KIT 2393	Repl. by A-40544-1
A-35208-11	R155, SHR	37839	8-37T	4.63	2-39	BR, N, R, W	KIT 2393	Repl. by A-40544-4
A-35208-2	R155, SHR	35321	8-37T	4.63	1.96-10	N, R, W	KIT 2393	Use A-40544-3
A-35208-3	R155, SHR	35321	8-37T	4.63	1.96-10	N, R, RV, W	KIT 2393	Use A-40544-3
A-35208-4	R155, SHR	12H1125	8-37T	4.63		N	KIT 2393	No Longer Avail.
A-35208-5	R155, SHR	35321	8-37T	4.63	1.96-10	BR, R, W	KIT 2393	No Longer Avail.
A-35208-6	R155, SHR	35321	8-37T	4.63	1.96-10		KIT 2393	Repl. by A-40544-2
A-35208-7	R155, SHR	35321	8-37T	4.63	1.96-10	BR, R, W	KIT 2393	Use A-40544-3
A-35208-8	R155, SHR	35321	8-37T	4.63	1.96-10	BR, N, R, W	KIT 2393	Use A-40544-3
A-35208-9	R155, SHR	37839	8-37T	4.63	2-39		KIT 2393	Use A-40544-1
A-35208	R155, SHR	35321	8-37T	4.63	1.96-10	N	KIT 2393	No Longer Avail.
A-35210-1	R200, R300, S200, S300, U200, U300	35211	13-25T		1.96-10			
A-35210	R200, R300, S200, S300, U200, U300	35211	13-25T		1.96-10	N		
A-35214-1	53587	35215	9-37T	4.11	1.14T		KIT 946	
A-35214-2	53587	35215	9-37T	4.11	1.14T	BR, N, SR	KIT 946	No Longer Avail.
A-35214-3	53710	35905	9-37T	4.11	1.75-STR		KIT 946	No Longer Avail.
A-35214	53710	35905	9-37T	4.11	1.75-STR	BR, SR	KIT 946	No Longer Avail.

HARDWARE KEY

B - Bolt or Capscrew **BN** - Button **BR** - Bearing or Bearing Race **MN** - Metric Nut
N - Nut **Q** - Quill **R** - Retainer **RV** - Rivet
S - Shim **SG** - Spur Gear **SR** - Snap Ring or Lock Ring **W** - Washer

SPLINE SIZE KEY

T - Tapered **STR** - Straight

(1) Recommended fasteners, not included with gearset.

(gr) Ring gear

GEARSETS BY PART NUMBER

Gearset	Model	Pinion	Tooth Count	Ratio	Spline Size	Hardware Included	Gear to Case Fastener (1)	Remarks
A-35236-1	R200, R300, S200, S300, U200, U300	35237	13-27T		1.96-10			
A-35236-2	R200, R300, S200, S300, U200, U300	35237	13-27T		1.96-10			
A-35236	R200, R300, S200, S300, U200, U300	35237	13-27T		1.96-10			
A-35238	57452	35249	8-31T	3.88	2-10		10X 173	
A-35252-1	R214, R255, U240	35333	13-25T		1.96-10	N		No Longer Avail.
A-35252-2	R214, R255, U240	35333	13-25T		1.96-10			
A-35252-3	R214, R255, U240	35333	13-25T		1.96-10			No Longer Avail.
A-35252-5	R200, R300, S200, S300, U200, U300	35211	13-25T		1.96-10			
A-35252-7	R214, R255, U240	37875	13-25T		2-39			No Longer Avail.
A-35252-8	R214, R255, U240	37875	13-25T		2-39	N		No Longer Avail.
A-35252	R214, R255, U240	35253	13-25T		1.96-10			
A-35254	J151	35255	5-33T	6.60	1.62-10			
A-35256-1	F35, F36	35259	7-33T	4.71	1.14T		KIT 946	Use A-40370-5
A-35256-2	TA534	3890C419	7-33T	4.71	1.75-STR	BR, SR	KIT 946	Repl. by A-40370-1
A-35256-3	F35, F36	35259	7-33T	4.71	1.14T	BR, N, SR	KIT 946	Repl. by A-40370-5
A-35256-4	53581	35257	7-33T	4.71	1.14T		KIT 946	No Longer Avail.
A-35256-5	TA534	3890C419	7-33T	4.71	1.75-STR		KIT 946	Use A-40370-1
A-35256-6	F35, F36	35259	7-33T	4.71	1.14T		KIT 946	Use A-40370-5
A-35256-7	F35, F36	35259	7-33T	4.71	1.14T	BR, SR	KIT 946	Use A-40370-5
A-35256	53581	35257	7-33T	4.71	1.14T	BR, SR, W	KIT 946	Repl. by A-40370-3
A-35260	7578, 7579, 7581	35271	17-42T				15X 655	Threaded with keyway
A-35264-1	R200, R300, S200, S300, U200, U300	35335	11-34T		1.96-10	N		Repl. by A-35460
A-35264-2	R200, R300, S200, S300, U200, U300	35335	11-34T		1.96-10	N		Repl. by A-35460
A-35264	R200, R300, S200, S300, U200, U300	35265	11-34T		1.96-10	N		Repl. by A-35460-2
A-35266-1	53521	35267	6-35T	5.83	1.14T	BR, N, SR	KIT 946	No Longer Avail.
A-35266-2	PROJ 75-7902	37815	6-35T	5.83	1.50-10	BR, SR		No Longer Avail.
A-35266	53566	35267	6-35T	5.83	1.14T		KIT 946	No Longer Avail.
A-35267-1	53566	35266 (gr)	6-35T	5.83	1.14T	BR, SR	KIT 946	No Longer Avail.
A-35268	L220, L300	35269	11-32T		1.75-10			No Longer Avail.
A-35270	7578, 7579, 7581	35271	17-42T					
A-35272-1		35273	7-36T	5.14	1.14T	BR, N, SR	KIT 946	No Longer Avail.
A-35272		35273	7-36T	5.14	1.14T		KIT 946	No Longer Avail.
A-35274	59070	35275	9-37T	4.11	2.25-10		KIT 570	
A-35280	59070	35283	8-37T	4.63	2.25-10		KIT 570	
A-35284	68400	35285	7-43T	6.14	1.89T		KIT 570	No Longer Avail.
A-35286-1	59070	35287	7-36T	5.14	2.25-10		KIT 570	
A-35286	59070	35289	7-36T	5.14	2.25-10		KIT 570	
A-35290	59070	35291	11-39T	3.55	2.25-10		KIT 570	
A-35292-1	59146, PROJ 2117	35293	7-33T	4.72	2.50-16	N, W		No Longer Avail.
A-35292	59146, PROJ 2117	35293	7-33T	4.72	2.50-16			No Longer Avail.
A-35294	53512	35295	7-36T	5.14	1.14T	BR, N, SR	KIT 946	
A-35296-1	Tracomotive	35297	7-33T	4.72	1.14T	BR, N, SR	KIT 946	No Longer Avail.

HARDWARE KEY

B - Bolt or Capscrew **BN** - Button **BR** - Bearing or Bearing Race **MN** - Metric Nut
N - Nut **Q** - Quill **R** - Retainer **RV** - Rivet
S - Shim **SG** - Spur Gear **SR** - Snap Ring or Lock Ring **W** - Washer

SPLINE SIZE KEY

T - Tapered **STR** - Straight

(1) Recommended fasteners, not included with gearset.

(gr) Ring gear

GEARSETS BY PART NUMBER

Gearset	Model	Pinion	Tooth Count	Ratio	Spline Size	Hardware Included	Gear to Case Fastener (1)	Remarks
A-35296	Tracomotive	35297	7-33T	4.72	1.14T		KIT 946	Use A-35296-1
A-35298	R200, R300, S200, S300, U200, U300	3890H320	11-30T		1.96-10	N		No Longer Avail.
A-35300	Q200, Q300	35301	11-30T		1.88-10			Repl. by A-35406
A-35302-1	R200, R300, S200, S300, U200, U300	35337	12-29T		1.96-10	N		
A-35302-2	R200, R300, S200, S300, U200, U300	35337	12-29T		1.96-10			Repl. by A-35302-1
A-35302-3	R200, R300, S200, S300, U200, U300	35303	12-29T		1.96-10			
A-35302-4	R200, R300, S200, S300, U200, U300	37873	12-29T		2-39			No Longer Avail.
A-35302-5	R200, R300, S200, S300, U200, U300	37873	12-29T		2-39	N		No Longer Avail.
A-35302	R200, R300, S200, S300, U200, U300	35303	12-29T		1.96-10	N		
A-35304-1	L100, LHR, QHR	35305	5-36T	7.20	1.75-10		KIT 570	Use A-35804-23
A-35304-2	L100, LHR, QHR	35305	5-36T	7.20	1.75-10	BR, SR	KIT 570	Use A-35804-11
A-35304-3	L100, LHR, QHR	35305	5-36T	7.20	1.75-10	N	KIT 570	Use A-35804-23
A-35304-4	LHD, QHD	35615	5-36T	7.20	2-21		KIT 570	Use A-35804-23
A-35306	H200, H300	35307	9-26T		1.62-10	N		
A-35322	H100	35323	8-37T	4.63	1.62-10		KIT 947	
A-35324-1	B-1555	35325	6-41T	6.83	1.62-10	N		
A-35324	B-1555	35325	6-41T	6.83	1.62-10			
A-35326-1	L100, LHR, QHR	35327	6-41T	6.83	1.75-10		KIT 570	Repl. by A-35806-19
A-35326-2	L100, LHR, QHR	35327	6-41T	6.83	1.75-10	BR, SR	KIT 570	Use A-35806-11
A-35326-3	LHD, QHD	35717	6-41T	6.83	2-21		KIT 570	Use A-35806-22
A-35326	L100, LHR, QHR	35327	6-41T	6.83	1.75-10		KIT 570	Use A-35806-19
A-35328-1	L100, LHR, QHR	35329	6-37T	6.17	1.75-10		KIT 570	Use A-35808-19
A-35328-2	L100, LHR, QHR	35329	6-37T	6.17	1.75-10	BR, SR	KIT 570	Use A-35808-12
A-35328-3	LHD, QHD	35719	6-37T	6.17	2-21		KIT 570	Use A-35808-23
A-35328	L100, LHR, QHR	35329	6-37T	6.17	1.75-10		KIT 570	Use A-35808-19
A-35336	58268	35343	6-41T	6.83	1.36T		KIT 570	
A-35338-1	R200, R300, S200, S300, U200, U300	35339	13-27T		1.96-10	N		
A-35338-2	R200, R300, S200, S300, U200, U300, UDR	35339	13-27T		1.96-10			Use A-35338
A-35338-5	R200, R300, S200, S300, U200, U300, UDR	37879	13-27T		2-39			No Longer Avail.
A-35338-6	R200, R300, S200, S300, U200, U300	37879	13-27T		2-39	N		No Longer Avail.
A-35338	R200, R300, S200, S300, U200, U300	35339	13-27T		1.96-10	N		
A-35343-1	58268	35342 (gr)	6-41T	6.83	1.36T	SR, W		
A-35344-1	D4640	35367	15-31T					Repl. by A-35344-3
A-35344-10	DD4640, UDD	38013	15-31T			Q		
A-35344-13	D4640, UDF	37985	15-31T					
A-35344-2	DD4640	35501	15-31T			Q		No Longer Avail.
A-35344-3	D4640	35367	15-31T			N		No Longer Avail.
A-35344-4	UDD	36375	15-31T			Q		
A-35344-5	DD4600, DD4640	36757	15-31T			Q		No Longer Avail.

HARDWARE KEY

B - Bolt or Capscrew **BN** - Button **BR** - Bearing or Bearing Race **MN** - Metric Nut
N - Nut **Q** - Quill **R** - Retainer **RV** - Rivet
S - Shim **SG** - Spur Gear **SR** - Snap Ring or Lock Ring **W** - Washer

SPLINE SIZE KEY

T - Tapered **STR** - Straight

(1) Recommended fasteners, not included with gearset.

(gr) Ring gear

GEARSETS BY PART NUMBER

Gearset	Model	Pinion	Tooth Count	Ratio	Spline Size	Hardware Included	Gear to Case Fastener (1)	Remarks
A-35344-6	D4600, D4640	36755	15-31T					No Longer Avail.
A-35344-7	UDF	35745	15-31T					No Longer Avail.
A-35344-8	DD4640, PROJ 10977B	37105X	15-31T			Q		
A-35344-9	D4640, UDF	37985	15-31T					Use A-35344-13
A-35344	DD460	35347	15-31T					
A-35350-1	H100, H150	35131	5-34T	6.80	1.62-10	BR, N, SR	KIT 947	No Longer Avail.
A-35350-2	H100, H150	35131	5-34T	6.80	1.62-10	N	KIT 947	
A-35350-3	TA532	3890D394	5-34T	6.80	1.75- STR		KIT 947	No Longer Avail.
A-35350-4	H100, H150	35131	5-34T	6.80	1.62-10	N	KIT 947	No Longer Avail.
A-35350	H100, H150	35131	5-34T	6.80	1.62-10		KIT 947	No Longer Avail.
A-35352-1	H100, H150	35139	5-36T	7.20	1.62-10	BR, N, SR	KIT 947	No Longer Avail.
A-35352-2	H100, H150	35139	5-36T	7.20	1.62-10	N	KIT 947	Use A-35352-1
A-35352-3	H100, H150	35139	5-36T	7.20	1.62-10	N	KIT 947	
A-35352	H100, H150	35139	5-36T	7.20	1.62-10		KIT 947	Use A-35352-1
A-35354-1	H100, H150	35129	6-37T	6.17	1.62-10	BR, N, SR	KIT 947	No Longer Avail.
A-35354-2	H100, H150	35129	6-37T	6.17	1.62-10	N	KIT 947	No Longer Avail.
A-35354	H100, H150	35129	6-37T	6.17	1.62-10		KIT 947	No Longer Avail.
A-35356-1	H100	35165	6-35T	5.83	1.62-10	BR, N, SR	KIT 947	No Longer Avail.
A-35356-2	H100	35165	6-35T	5.83	1.62-10		KIT 947	
A-35356	H100	35165	6-35T	5.83	1.62-10		KIT 947	No Longer Avail.
A-35358-1	H100	35181	7-37T	5.29	1.62-10	BR, N, SR	KIT 947	
A-35358-2	H100, H150	35181	7-37T	5.29	1.62-10		KIT 947	
A-35358	H100, H150	35181	7-37T	5.29	1.62-10		KIT 947	Repl. by A-35358-1
A-35360-1	H100	35323	8-37T	4.63	1.62-10	BR, SR	KIT 947	
A-35360-2	H100	37295	8-37T	4.63	1.75- STR		KIT 947	No Longer Avail.
A-35360-3	H100	37295	8-37T	4.63	1.75- STR	BR, SR	KIT 947	
A-35360-4	H100	35323	8-37T	4.63	1.62-10	BR, N, SR	KIT 947	No Longer Avail.
A-35360-5	H100	35323	8-37T	4.63	1.62-10	N	KIT 947	
A-35360	H100	35323	8-37T	4.63	1.62-10		KIT 947	Use A-35360-4
A-35362	58433	35363	7-36T	5.14	1.35T		KIT 570	
A-35364-1	LT300, QT300	35365	13-30T		1.88-10			
A-35364	LT300, QT300	35365	13-30T		1.88-10	N		
A-35368	58435	35369	7-36T	5.14	1.62-10		KIT 570	
A-35370-10	TA268	38591	6-40T	6.67	1.38-10	BR, SR	KIT 946	
A-35370-2	TA531	35309	6-40T	6.67	1.50-10	BR, SR	KIT 946	
A-35370-3	53500	35371	6-40T	6.67	1.14T	BR, N, SR	KIT 946	No Longer Avail.
A-35370-4	53500	35371	6-40T	6.67	1.14T		KIT 946	
A-35370-5	B761H	35479	6-40T	6.67	1.14T		KIT 946	No Longer Avail.
A-35370-6	B761H	35479	6-40T	6.67	1.14T		KIT 946	Use A-35370
A-35370-7	B761H	35479	6-40T	6.67	1.14T	BR, SR	KIT 946	Use A-35370
A-35370-9	TA268	38591	6-40T	6.67	1.38-10		KIT 946	
A-35370	B761H	35479	6-40T	6.67	1.14T	BR, SR, N	KIT 946	No Longer Avail.
A-35371-1	53500	35370 (gr)	6-40T	6.67	1.14T	BR, SR	KIT 946	
A-35372-1	R155, SHR	35373	10-37T	3.70	1.96-10	BR, N, R, W	KIT 2393	Use A-40504-5
A-35372-10	R155, SHR	35373	10-37T	3.70	1.96-10	B, N, W	KIT 2393	Use A-40504-5
A-35372-2	59690	36161	10-37T	3.70	2.50-16	N	KIT 2393	No Longer Avail.
A-35372-3	R155, SHR	35373	10-37T	3.70	1.96-10	BR, N, W	KIT 2393	
A-35372-4	R155, SHR	36785	10-37T	3.70	1.96-10	N	KIT 2393	

HARDWARE KEY

B - Bolt or Capscrew **BN** - Button **BR** - Bearing or Bearing Race **MN** - Metric Nut
N - Nut **Q** - Quill **R** - Retainer **RV** - Rivet
S - Shim **SG** - Spur Gear **SR** - Snap Ring or Lock Ring **W** - Washer

SPLINE SIZE KEY

T - Tapered **STR** - Straight

(1) Recommended fasteners, not included with gearset.

(gr) Ring gear

GEARSETS BY PART NUMBER

Gearset	Model	Pinion	Tooth Count	Ratio	Spline Size	Hardware Included	Gear to Case Fastener (1)	Remarks
A-35372-5	R155, SHR	35373	10-37T	3.70	1.96-10		KIT 2393	
A-35372-6	R155, SHR	35373	10-37T	3.70	1.96-10		KIT 2393	Use A-40504-5
A-35372-7	R155, SHR	35373	10-37T	3.70	1.96-10	R, W	KIT 2393	Use A-40504-5
A-35372-8	R155, SHR	37845	10-37T	3.70	2-39		KIT 2393	Use A-40504-1
A-35372-9	R155, SHR	37845	10-37T	3.70	2-39	N	KIT 2393	Repl. by A-40504-1
A-35372	R155, SHR	35373	10-37T	3.70	1.96-10	N	KIT 2393	Repl. by A-40504-5
A-35374	F409	35375	10-22T		1.94-10	N		
A-35376-1	D4640	35379	11-26T					No Longer Avail.
A-35376-2	D4640	35379	11-26T			N		
A-35376-3	UDD	35925	11-26T			Q		
A-35376-4	UDF	35731	11-26T					No Longer Avail.
A-35376-5	DD4600, DD4640	36627	11-26T			Q		No Longer Avail.
A-35376-6	D4600, D4640	36621	11-26T					
A-35376-7	PROJ 1097	37223X	11-26T			Q		
A-35376-8	D4640, UDF	37993	11-26T					
A-35376-9	DD4640, UDD	38011	11-26T					
A-35376	DD4640	35499	11-26T			Q		No Longer Avail.
A-35382	58400	35381	7-43T	6.14	1.89T		KIT 570	Repl. by A-35284
A-35384	59070	35385	9-37T	4.11	2.25-10		KIT 570	Repl. by A-35274
A-35390	59070	35393	8-37T	4.63	2.25-10		KIT 570	Repl. by A-35280
A-35394-1	59070	35395	7-36T	5.14	1.89T		KIT 570	Repl. by A-35286
A-35394	59070	35397	7-36T	5.14	2.25-10		KIT 570	
A-35398	59070	35399	11-39T	3.55	2.25-10		KIT 570	Repl. by A-35290
A-35400	L220, L300	35401	11-32T		1.75-10			No Longer Avail.
A-35402-1	LT300, QT300	35403	11-34T		1.88-10			No Longer Avail.
A-35402	LT300, QT300	35403	11-34T		1.88-10	N		No Longer Avail.
A-35404-1	FH150, H150	35405	6-43T	7.17	1.62-10	BR, N, SR	KIT 947	No Longer Avail.
A-35404	FH150, H150	35405	6-43T	7.17	1.62-10		KIT 947	No Longer Avail.
A-35406	Q200, Q300	35407	11-30T		1.88-10			No Longer Avail.
A-35408-1	LT300, QT300	35409	11-30T		1.88-10			
A-35408	LT300, QT300	35409	11-30T		1.88-10	N		
A-35410-1	H200, H300	35411	9-26T		1.62-10			No Longer Avail.
A-35410	H200, H300	35411	9-26T		1.62-10	N		No Longer Avail.
A-35412-1	DD1570	35415	13-31T					No Longer Avail.
A-35412-2	LDR	35727	13-31T					No Longer Avail.
A-35412	LDD	35495	13-31T			Q		No Longer Avail.
A-35418	A150	35419	6-35T	5.83	1.25-10			
A-35420	A150	35421	7-34T	4.86	1.25-10			
A-35422	B150	35423	6-35T	5.83	1.25-10		KIT 946	Use A-35506-1
A-35424	B150	35425	7-36T	5.14	1.25-10		KIT 946	No Longer Avail.
A-35426-1	C100	35427	5-34T	6.80	1.38-10	BR, N, W	KIT 946	No Longer Avail.
A-35426-2	C100	35427	5-34T	6.80	1.38-10	N	KIT 946	No Longer Avail.
A-35426	C100	35427	5-34T	6.80	1.38-10		KIT 946	No Longer Avail.
A-35428-1	C100	35429	5-31T	6.20	1.38-10	BR, N, W	KIT 946	
A-35428-2	C100	35429	5-31T	6.20	1.38-10	N	KIT 946	No Longer Avail.
A-35428	C100	35429	5-31T	6.20	1.38-10		KIT 946	No Longer Avail.
A-35430-1	C100	35431	7-37T	5.29	1.38-10	BR, N, W	KIT 946	
A-35430-2	C100	35431	7-37T	5.29	1.38-10	N	KIT 946	No Longer Avail.
A-35430	C100	35431	7-37T	5.29	1.38-10		KIT 946	No Longer Avail.
A-35432	L300	35433	11-30T		1.75-10			
A-35434-1	H200, H300	35435	11-28T		1.62-10	N		

HARDWARE KEY

B - Bolt or Capscrew **BN** - Button **BR** - Bearing or Bearing Race **MN** - Metric Nut
N - Nut **Q** - Quill **R** - Retainer **RV** - Rivet
S - Shim **SG** - Spur Gear **SR** - Snap Ring or Lock Ring **W** - Washer

SPLINE SIZE KEY

T - Tapered **STR** - Straight

(1) Recommended fasteners, not included with gearset.

(gr) Ring gear

GEARSETS BY PART NUMBER

Gearset	Model	Pinion	Tooth Count	Ratio	Spline Size	Hardware Included	Gear to Case Fastener (1)	Remarks
A-35434	H200, H300	35435	11-28T		1.62-10	N		
A-35436-1	LT300, QT300	35437	9-29T		1.88-10			No Longer Avail.
A-35436	LT300, QT300	35437	9-29T		1.88-10	N		No Longer Avail.
A-35438-1	Q100, Q145	35439	5-36T	7.20	1.88-10	BR, SR	KIT 570	
A-35438-2	Q100, Q145	35439	5-36T	7.20	1.88-10	RV	KIT 570	
A-35438-3	Q100, Q145	35439	5-36T	7.20	1.88-10		KIT 570	
A-35438	Q100, Q145	35439	5-36T	7.20	1.88-10		KIT 570	
A-35442	1758	35443	10-22T		1.94-10	N		No Longer Avail.
A-35444-1	R155, SHR	35445	7-43T	6.14	1.96-10	BR, N, W	KIT 2393	Repl. by A-40678-5
A-35444-10	R155, SHR	37831	7-43T	6.14	2-39	N	KIT 2393	Repl. by A-40678-1
A-35444-2	R155, SHR	35445	7-43T	6.14	1.96-10	R, W	KIT 2393	Use A-40678-3
A-35444-3	R155, SHR	35445	7-43T	6.14	1.96-10	R, RV, W	KIT 2393	Use A-40678-3
A-35444-4	R155, SHR	35445	7-43T	6.14	1.96-10	N, RV	KIT 2393	Use A-40678-3
A-35444-5	R155, SHR	35445	7-43T	6.14	1.96-10	N, R, W	KIT 2393	Use A-40678-3
A-35444-6	R155, SHR	35445	7-43T	6.14	1.96-10		KIT 2393	Use A-40678-3
A-35444-7	R155, SHR	35445	7-43T	6.14	1.96-10	BR, N, R, W	KIT 2393	Repl. by A-40678-5
A-35444-8	R155, SHR	35445	7-43T	6.14	1.96-10	N	KIT 2393	Repl. by A-40678-3
A-35444-9	R155, SHR	37831	7-43T	6.14	2-39		KIT 2393	Use A-40678-1
A-35444	R155, SHR	35445	7-43T	6.14	1.96-10		KIT 2393	Use A-40678-3
A-35446-1	51524	36147	6-40T	6.67	1.07T			No Longer Avail.
A-35446-2	51524	36147	6-40T	6.67	1.07T	BR, N, SR		No Longer Avail.
A-35446	51524	35447	6-40T	6.67	1.07T	BR, SR		
A-35448-1	R200, R300, S200, S300, U200, U300	35449	11-30T		1.96-10	N	KIT 535	
A-35448-2	R200, R300, S200, S300, U200, U300	35451	11-30T		1.96-10	N	KIT 535	No Longer Avail.
A-35448-3	R200, R300, S200, S300, U200, U300	35449	11-30T		1.96-10		KIT 535	
A-35448-4	R200, R300, S200, S300, U200, U300	35449	11-30T		1.96-10		KIT 535	
A-35448-6	R200, R300, S200, S300, U200, U300	35451	11-30T		1.96-10		KIT 535	No Longer Avail.
A-35448-7	R214, R255, U240	37869	11-30T		2-39		KIT 535	No Longer Avail.
A-35448-8	R214, R255, U240	37869	11-30T		2-39	N	KIT 535	No Longer Avail.
A-35448	R200, R300, S200, S300, U200, U300	35449	11-30T		1.96-10	N	KIT 535	
A-35452-1	H200, H300	35453	8-25T		1.62-10			No Longer Avail.
A-35452	H200, H300	35453	8-25T		1.62-10	N		No Longer Avail.
A-35454	Q200, Q300	35455	9-28T		1.88-10	N		
A-35456	Q200, Q300	35457	12-29T		1.88-10	N		
A-35458	L300	35459	9-29T		1.75-10			
A-35460-1	R200, R300, S200, S300, U200, U300	35461	11-34T		1.96-10	N		
A-35460-2	R200, R300, S200, S300, U200, U300	35463	11-34T		1.96-10	N		
A-35460-3	R200, R300, S200, S300, U200, U300	35461	11-34T		1.96-10			
A-35460-4	R200, R300, S200, S300, U200, U300	37871	11-34T		2-39			
A-35460-5	R200, R300, S200, S300, U200, U300	37871	11-34T		2-39	N		

HARDWARE KEY

B - Bolt or Capscrew **BN** - Button **BR** - Bearing or Bearing Race **MN** - Metric Nut
N - Nut **Q** - Quill **R** - Retainer **RV** - Rivet
S - Shim **SG** - Spur Gear **SR** - Snap Ring or Lock Ring **W** - Washer

SPLINE SIZE KEY

T - Tapered **STR** - Straight

(1) Recommended fasteners, not included with gearset.

(gr) Ring gear

GEARSETS BY PART NUMBER

Gearset	Model	Pinion	Tooth Count	Ratio	Spline Size	Hardware Included	Gear to Case Fastener (1)	Remarks
A-35460	R200, R300, S200, S300, U200, U300	35461	11-34T		1.96-10	N		
A-35468	A150	35469	9-37T	4.11	1.25-10			
A-35470-1	R155, SHR	36469	9-44T	4.89	1.96-10		KIT 2393	No Longer Avail.
A-35470-3	R155, SHR	36469	9-44T	4.89	1.96-10	BR, N, R, W	KIT 2393	No Longer Avail.
A-35470-4	R155, SHR	36469	9-44T	4.89	1.96-10	N	KIT 2393	No Longer Avail.
A-35470-5	R155, SHR	37837	9-44T	4.89	2-39		KIT 2393	Use A-40546-1
A-35470-6	R155, SHR	37837	9-44T	4.89	2-39	N	KIT 2393	Repl. by A-40546-1
A-35470-7	R155, SHR	37837	9-44T	4.89	2-39	BR, N, R, W	KIT 2393	Use A-40546-1
A-35470	59690	35471	9-44T	4.89	2.50-16	N	KIT 2393	
A-35482-1	UDD	35497	16-33T			Q		
A-35482	UDD	35483	16-33T					
A-35486-1	59620, 59621	35487	6-35T	5.83	2.50-16	N, W		
A-35486	59620, 59621	35487	6-35T	5.83	2.50-16			
A-35488-1	LHD, QHD	35725	9-40T	4.44	2-21		KIT 570	Repl. by A-35816-20
A-35488	L100, LHR, QHR	35489	9-40T	4.44	1.75-10	N	KIT 570	Repl. by A-35816-17
A-35490	L100, LHR, QHR	35491	11-39T	6.17	1.75-10		KIT 570	
A-35492	F2090, F223	35493	10-22T		1.75-10	N		No Longer Avail.
A-35504	LT300, QT300	35505	11-32T		1.88-10	N		
A-35506-1	B150	35423	6-35T	5.83	1.25-10	N	KIT 946	No Longer Avail.
A-35506	B150	35423	6-35T	5.83	1.25-10		KIT 946	No Longer Avail.
A-35508-1	B150	35425	7-36T	5.14	1.25-10	N	KIT 946	No Longer Avail.
A-35508	B150	35425	7-36T	5.14	1.25-10		KIT 946	No Longer Avail.
A-35510-1	DHD, DHF	35617	5-34T	6.80	1.62-16		KIT 947	No Longer Avail.
A-35510-2	D100, DHR	12H1048	5-34T	6.80			KIT 947	
A-35510-3	D100, DHR	36169	5-34T	6.80	1.38-10		KIT 947	1.09 Brg. Use A-35510-7
A-35510-4	D100, DHR	36169	5-34T	6.80	1.38-10	BR, N, SR	KIT 947	1.09 Bearing
A-35510-5	D100, DHR	35511	5-34T	6.80	1.38-10	N	KIT 947	No Longer Avail.
A-35510-6	DHD, DHF	35617	5-34T	6.80	1.62-16	BR, N, W	KIT 947	No Longer Avail.
A-35510-7	D100, DHR	36169	5-34T	6.80	1.38-10	N	KIT 947	1.09 Bearing
A-35510-8	D100, DHR	36169	5-34T	6.80	1.38-10	BR, N, SR	KIT 947	1.09 Bearing
A-35510	D100, DHR	35511	5-34T	6.80	1.38-10		KIT 947	No Longer Avail.
A-35512-1	DHD, DHF	35681	5-31T	6.20	1.62-16		KIT 947	No Longer Avail.
A-35512-2	D100, DHR	36171	5-31T	6.20	1.38-10		KIT 947	No Longer Avail.
A-35512-3	D100, DHR	36171	5-31T	6.20	1.38-10	BR, N, SR	KIT 947	No Longer Avail.
A-35512-4	D100, DHR	36171	5-31T	6.20	1.38-10	BR, N, SR	KIT 947	1.09 Bearing
A-35512-5	D100, DHR	36171	5-31T	6.20	1.38-10	N	KIT 947	No Longer Avail.
A-35512-6	D100, DHR	35513	5-31T	6.20	1.38-10	N	KIT 947	No Longer Avail.
A-35512-7	D100, DHR	36171	5-31T	6.20	1.38-10	BR, N, SR	KIT 947	1.09 Bearing
A-35512	D100, DHR	35513	5-31T	6.20	1.38-10		KIT 947	No Longer Avail.
A-35514-1	DHD, DHF	35699	6-35T	5.83	1.62-16		KIT 947	No Longer Avail.
A-35514-2	D100, DHR	12H1547	6-35T	5.83	1.38-10		KIT 947	
A-35514-3	D100, DHR	36173	6-35T	5.83	1.38-10		KIT 947	1.09 Brg. Use A-35514-7
A-35514-4	D100, DHR	36173	6-35T	5.83	1.38-10	BR, N, SR	KIT 947	1.09 Bearing
A-35514-5	DHD, DHF	35699	6-35T	5.83	1.62-16	W	KIT 947	No Longer Avail.
A-35514-6	D100, DHR	35515	6-35T	5.83	1.38-10	N	KIT 947	.985 Bearing
A-35514-7	D100, DHR	36173	6-35T	5.83	1.38-10	N	KIT 947	1.09 Bearing
A-35514-8	D100, DHR	36173	6-35T	5.83	1.38-10	BR, N, SR	KIT 947	1.09 Bearing
A-35514	D100, DHR	35515	6-35T	5.83	1.38-10		KIT 947	.985 Brg. Use A-35514-6
A-35516-1	R155, SHR	35319	9-37T	4.11	1.96-10		KIT 2393	Use A-40536-3
A-35518	B100	35519	7-34T	4.86	1.25-10		KIT 946	

HARDWARE KEY

B - Bolt or Capscrew **BN** - Button **BR** - Bearing or Bearing Race **MN** - Metric Nut
N - Nut **Q** - Quill **R** - Retainer **RV** - Rivet
S - Shim **SG** - Spur Gear **SR** - Snap Ring or Lock Ring **W** - Washer

SPLINE SIZE KEY

T - Tapered **STR** - Straight

(1) Recommended fasteners, not included with gearset.

(gr) Ring gear

GEARSETS BY PART NUMBER

Gearset	Model	Pinion	Tooth Count	Ratio	Spline Size	Hardware Included	Gear to Case Fastener (1)	Remarks
A-35520-1	LDR	35523	19-36T					No Longer Avail.
A-35520-2	LDR	35733	19-36T				KIT 570	
A-35520	LDD	35521	19-36T			Q		No Longer Avail.
A-35524-1	F37	35525	5-34T	6.80	1.14T		KIT 946	No Longer Avail.
A-35524	F37	35525	5-34T	6.80	1.14T	BR, N, SR	KIT 946	No Longer Avail.
A-35528-1	QT340	35529	11-32T		1.88-10			No Longer Avail.
A-35528	QT340	35529	11-32T		1.88-10	N		No Longer Avail.
A-35530-1	QT340	35531	11-30T		1.88-10	N		Repl. by A-35530-3
A-35530-2	QT340	35531	11-30T		1.88-10			No Longer Avail.
A-35530-3	QT340	35531	11-30T		1.88-10	N		No Longer Avail.
A-35530	QT340	35531	11-30T		1.88-10	N		Repl. by A-35530-3
A-35532-1	QT340	35533	9-29T		1.88-10			No Longer Avail.
A-35532	QT340	35533	9-29T		1.88-10	N		No Longer Avail.
A-35534-1	L100, LHR, QHR	35535	6-35T	5.83	1.75-10		KIT 570	Use A-35810-17
A-35534-2	LHD, QHD	35721	6-35T	5.83	2-21		KIT 570	Use A-35810-20
A-35534	L100, LHR, QHR	35535	6-35T	5.83	1.75-10		KIT 570	Use A-35810-17
A-35536-1	F Series	35619	5-36T	7.20	1.50-10		KIT 947	Use A-35536-10
A-35536-10	FHD, FHF	36013	5-36T	7.20	1.75-19	N	KIT 947	No Longer Avail.
A-35536-11	FHD, FHF	36013	5-36T	7.20	1.75-19	BR, N, SR	KIT 947	No Longer Avail.
A-35536-2	F Series	12H1050	5-36T	7.20	1.50-10		KIT 947	Use A-35536-10
A-35536-3	F Series	35981	5-36T	7.20	1.50-10		KIT 947	Use A-35536-9
A-35536-4	F Series	35981	5-36T	7.20	1.50-10		KIT 947	Use A-35536-9
A-35536-5	F Series	36033X	5-36T	7.20	1.50-10		KIT 947	
A-35536-6	F Series	35981	5-36T	7.20	1.50-10	BR, N, SR	KIT 947	
A-35536-7	FHD, FHF	36013	5-36T	7.20	1.75-19		KIT 947	No Longer Avail.
A-35536-8	FHD, FHF	36013	5-36T	7.20	1.75-19	BR, SR	KIT 947	Use A-35536-11
A-35536-9	F Series	35981	5-36T	7.20	1.50-10	N	KIT 947	
A-35536	F Series	35537	5-36T	7.20	1.50-10		KIT 947	Use A-35536-6
A-35538-1	FHD, FHF	35645	5-34T	6.80	1.75-19		KIT 947	Use A-35538-11
A-35538-10	F Series	35983	5-34T	6.80	1.50-10	N	KIT 947	
A-35538-11	FHD, FHF	36017	5-34T	6.80	1.75-19	N	KIT 947	No Longer Avail.
A-35538-12	FHD, FHF	36017	5-34T	6.80	1.75-19	BR, N, SR	KIT 947	
A-35538-2	F Series	35983	5-34T	6.80	1.50-10		KIT 947	Repl. by A-35538-10
A-35538-4	F Series	35983	5-34T	6.80	1.50-10	BR, N, SR	KIT 947	
A-35538-6	FHD, FHF	36017	5-34T	6.80	1.75-19		KIT 947	Use A-35538-11
A-35538-7	FHD, FHF	36017	5-34T	6.80	1.75-19		KIT 947	No Longer Avail.
A-35538-8	F Series	35539	5-34T	6.80	1.50-10	BR, SR, W	KIT 947	Repl. by A-35538-4
A-35538-9	FHD, FHF	36017	5-34T	6.80	1.75-19	BR, N, SR	KIT 947	No Longer Avail.
A-35538	F Series	35539	5-34T	6.80	1.50-10		KIT 947	Use A-35538-4
A-35540-1	FHD, FHF	35621	5-31T	6.20	1.75-19		KIT 947	Use A-35540-10
A-35540-10	FHD, FHF	36019	5-31T	6.20	1.75-19	BR, N, SR	KIT 947	No Longer Avail.
A-35540-2	F Series	12H1052	5-31T	6.20	1.50-10		KIT 947	
A-35540-3	F Series	35985	5-31T	6.20	1.50-10		KIT 947	Use A-35540-8
A-35540-4	F Series	35985	5-31T	6.20	1.50-10		KIT 947	No Longer Avail.
A-35540-5	F Series	35985	5-31T	6.20	1.50-10	BR, N, SR	KIT 947	No Longer Avail.
A-35540-6	FHD, FHF	36019	5-31T	6.20	1.75-19		KIT 947	No Longer Avail.
A-35540-7	FHD, FHF	36019	5-31T	6.20	1.75-19	BR, SR	KIT 947	Use A-35540-10
A-35540-8	F Series	35985	5-31T	6.20	1.50-10	N	KIT 947	No Longer Avail.
A-35540-9	FHD, FHF	36019	5-31T	6.20	1.75-19	N	KIT 947	No Longer Avail.
A-35540	F Series	35541	5-31T	6.20	1.50-10		KIT 947	1.0939 Spigot bearing
A-35544-1	E350	12H936	8-29T		1.50-10	N		

HARDWARE KEY

B - Bolt or Capscrew **BN** - Button **BR** - Bearing or Bearing Race **MN** - Metric Nut
N - Nut **Q** - Quill **R** - Retainer **RV** - Rivet
S - Shim **SG** - Spur Gear **SR** - Snap Ring or Lock Ring **W** - Washer

SPLINE SIZE KEY

T - Tapered **STR** - Straight

(1) Recommended fasteners, not included with gearset.

(gr) Ring gear

GEARSETS BY PART NUMBER

Gearset	Model	Pinion	Tooth Count	Ratio	Spline Size	Hardware Included	Gear to Case Fastener (1)	Remarks
A-35544-2	E350	35545	8-29T		1.50-10			
A-35544	E350	35545	8-29T		1.50-10	N		
A-35546-1	E350	35547	9-28T		1.50-10			
A-35546	E350	35547	9-28T		1.50-10	N		
A-35548	E350	35549	10-27		1.50-10	N		
A-35550-1	H350	35551	9-35T		1.62-10		KIT 2452	Repl. by A-40804-1
A-35550	H350	35551	9-35T		1.62-10	N	KIT 2452	Repl. by A-40804-1
A-35552	H350	35553	9-31T		1.62-10	N	KIT 2452	
A-35554	H350	35555	9-29		1.62-10	N	KIT 2452	
A-35556	H350	35557	11-30T		1.62-10		KIT 2452	
A-35560-1	L200, L340	35561	9-31T		1.75-10		KIT 2452	Use A-35560
A-35560	L200, L340	35561	9-31T		1.75-10	N	KIT 2452	
A-35562-1	L200, L340	35563	9-29T		1.75-10		KIT 2452	No Longer Avail.
A-35562	L200, L340	35563	9-29T		1.75-10	N	KIT 2452	No Longer Avail.
A-35564-1	L200, L340	35565	11-32T		1.75-10		KIT 2452	No Longer Avail.
A-35564	L200, L340	35565	11-32T		1.75-10	N	KIT 2452	No Longer Avail.
A-35566-1	L200, L340	35567	11-30T		1.75-10		KIT 2452	No Longer Avail.
A-35566	L200, L340	35567	11-30T		1.75-10	N	KIT 2452	No Longer Avail.
A-35568-1	H340	35569	8-27T		1.62-10		KIT 2452	No Longer Avail.
A-35568	H340	35569	8-27T		1.62-10	N	KIT 2452	No Longer Avail.
A-35570	H340	35571	9-28T		1.62-10	N	KIT 2452	Repl. by A-35826
A-35572	H340	35573	10-29T		1.62-10	N	KIT 2452	Repl. by A-35828
A-35576-1	59620	35777	8-33T	4.13	2.50-16	N, W		No Longer Avail.
A-35576	59620	35777	8-33T	4.13	2.50-16	N, W		No Longer Avail.
A-35582	59146	35583	6-33T	5.50				Use A-38268-1
A-35586-1	H140, HHR, JHR	35587	5-34T	6.80	1.62-10		KIT 947	Repl. by A-35586-10
A-35586-10	H140, HHR, JHR	36891	5-34T	6.80	1.62-10	N	KIT 947	No Longer Avail.
A-35586-11	HHD, HHF, JHD	36889	5-34T	6.80	2-21	N	KIT 947	No Longer Avail.
A-35586-2	H140, HHR, JHR	35587	5-34T	6.80	1.62-10		KIT 947	Repl. by A-35586-10
A-35586-3	H140, HHR, JHR	35587	5-34T	6.80	1.62-10	SR, W	KIT 947	Use A-35586-10
A-35586-4	H140, HHR, JHR	36231	5-34T	6.80	1.62-10		KIT 947	Use A-35586-10
A-35586-5	H140, HHR, JHR	36891	5-34T	6.80	1.62-10	BR, N, SR	KIT 947	No Longer Avail.
A-35586-6	HHD, HHF, JHD	36889	5-34T	6.80	2-21	BR, N, SR	KIT 947	No Longer Avail.
A-35586-7	H140, HHR, JHR	36891	5-34T	6.80	1.62-10		KIT 947	No Longer Avail.
A-35586-8	HHD, HHF, JHD	36889	5-34T	6.80	2-21		KIT 947	No Longer Avail.
A-35586-9	HHD, HHF, JHD	36889	5-34T	6.80	2-21	BR, N, SR	KIT 947	
A-35586	H140, HHR, JHR	35587	5-34T	6.80	1.62-10		KIT 947	Repl. by A-35586-7
A-35588-1	H140, HHR, JHR	35589	5-36T	7.20	1.62-10	N	KIT 947	Use A-35588-10
A-35588-10	H140, HHR, JHR	36883	5-36T	7.20	1.62-10	N	KIT 947	No Longer Avail.
A-35588-11	HHD, HHF, JHD	36881	5-36T	7.20	2-21	N	KIT 947	No Longer Avail.
A-35588-13	HHD, HHF, JHD	35897	5-36T	7.20	2-21	N	KIT 947	Use A-35588-11
A-35588-2	HHD, HHF, JHD	35897	5-36T	7.20	2-21		KIT 947	Use A-35588-11
A-35588-3	H140, HHR, JHR	35589	5-36T	7.20	1.62-10	BR, SR, W	KIT 947	Repl. by A-35588-5
A-35588-4	H140, HHR, JHR	36229	5-36T	7.20	1.62-10		KIT 947	Use A-35588-10
A-35588-5	H140, HHR, JHR	36883	5-36T	7.20	1.62-10	BR, N, SR	KIT 947	No Longer Avail.
A-35588-6	HHD, HHF, JHD	36881	5-36T	7.20	2-21	BR, N, SR	KIT 947	No Longer Avail.
A-35588-7	H140, HHR, JHR	36883	5-36T	7.20	1.62-10		KIT 947	No Longer Avail.
A-35588-8	HHD, HHF, JHD	36881	5-36T	7.20	2-21		KIT 947	No Longer Avail.
A-35588-9	HHD, HHF, JHD	36881	5-36T	7.20	2-21	BR, N, SR	KIT 947	
A-35588	H140, HHR, JHR	35589	5-36T	7.20	1.62-10		KIT 947	Repl. by A-35588-10
A-35590-1	H140, HHR, JHR	35591	6-37T	6.17	1.62-10	BR, SR, W	KIT 947	Use A-35590-6

HARDWARE KEY

B - Bolt or Capscrew **BN** - Button **BR** - Bearing or Bearing Race **MN** - Metric Nut
N - Nut **Q** - Quill **R** - Retainer **RV** - Rivet
S - Shim **SG** - Spur Gear **SR** - Snap Ring or Lock Ring **W** - Washer

SPLINE SIZE KEY

T - Tapered **STR** - Straight

(1) Recommended fasteners, not included with gearset.

(gr) Ring gear

GEARSETS BY PART NUMBER

Gearset	Model	Pinion	Tooth Count	Ratio	Spline Size	Hardware Included	Gear to Case Fastener (1)	Remarks
A-35590-10	HHD, HHF, JHD	36893	6-37T	6.17	2-21	BR, N, SR	KIT 947	Repl. by A-35590-7
A-35590-11	HHD, HHF, JHD	36893	6-37T	6.17	2-21	N	KIT 947	No Longer Avail.
A-35590-12	H140, HHR, JHR	36895	6-37T	6.17	1.62-10	N	KIT 947	
A-35590-2	HHD, HHF, JHD	35899	6-37T	6.17	2-21		KIT 947	Use A-35590-10
A-35590-3	PR103	3890P406	6-37T	6.17	1.50-10		KIT 947	
A-35590-4	H140, HHR, JHR	36233	6-37T	6.17	1.62-10		KIT 947	Use A-35590-6
A-35590-5	PR109	36261	6-37T	6.17	1.50-10		KIT 947	
A-35590-6	H140, HHR, JHR	36895	6-37T	6.17	1.62-10	BR, N, SR	KIT 947	
A-35590-7	HHD, HHF, JHD	36893	6-37T	6.17	2-21	BR, N, SR	KIT 947	No Longer Avail.
A-35590-8	H140, HHR, JHR	36895	6-37T	6.17	1.62-10		KIT 947	Use A-35590-12
A-35590-9	HHD, HHF, JHD	36893	6-37T	6.17	2-21		KIT 947	No Longer Avail.
A-35590	H140, HHR, JHR	35591	6-37T	6.17	1.62-10		KIT 947	Use A-35590-6
A-35594-1	H340	35595	11-28T		1.62-10			No Longer Avail.
A-35594	H340	35595	11-28T		1.62-10	N		No Longer Avail.
A-35596-1	QT340	35597	9-32T		1.88-10			No Longer Avail.
A-35596	QT340	35597	9-32T		1.88-10	N		
A-35600	H162, L140	35601	5-36T	7.20	1.75-10			Repl. by A-35772-6
A-35602	H162, L140	35603	7-37T	5.29	1.75-10			Repl. by A-35776-2
A-35606-1	RT340	35607	11-30T		1.96-10			No Longer Avail.
A-35606	RT340	35607	11-30T		1.96-10	N		No Longer Avail.
A-35608-1	RT340	35609	9-29T		1.96-10			No Longer Avail.
A-35608	RT340	35609	9-29T		1.96-10	N		No Longer Avail.
A-35612-1	Q100, Q145	35105	8-37T	4.63	1.88-10	BR, N, SR	KIT 570	
A-35612-2	Q100, Q145	35105	8-37T	4.63	1.88-10	N	KIT 570	
A-35612	Q100, Q145	35105	8-37T	4.63	1.88-10		KIT 570	
A-35614-1	Q100, Q145	35151	7-37T	5.29	1.88-10	BR, N, SR	KIT 570	No Longer Avail.
A-35614-2	Q100, Q145	35151	7-37T	5.29	1.88-10	RV	KIT 570	Use A-35614-1
A-35614-3	Q135	36051	7-37T	5.29	1.96-10		KIT 570	
A-35614-5	Q100, Q145	35151	7-37T	5.29	1.88-10	B, BR, N, SR, W	KIT 570	No Longer Avail.
A-35614-6	Q135	36051	7-37T	5.29	1.96-10	N	KIT 570	
A-35614	Q100, Q145	35151	7-37T	5.29	1.88-10		KIT 570	No Longer Avail.
A-35616-1	Q100, Q145	35147	6-37T	6.17	1.88-10	N	KIT 570	
A-35616-2	Q100, Q145	35147	6-37T	6.17	1.88-10	BR, SR	KIT 570	Use A-35616-7
A-35616-3	Q100, Q145	35147	6-37T	6.17	1.88-10	RV	KIT 570	Use A-35616-1
A-35616-4	Q100, Q145	35147	6-37T	6.17	1.88-10	SR	KIT 570	Use A-35616-1
A-35616-5	Q100, Q145	35147	6-37T	6.17	1.88-10	BR, N, SR	KIT 570	Use A-35616-7
A-35616-7	Q100, Q145	35147	6-37T	6.17	1.88-10	BR, N, SR	KIT 570	
A-35616	Q100, Q145	35147	6-37T	6.17	1.88-10		KIT 570	Use A-35616-1
A-35618-1	Q130	35507	6-41T	6.83	1.88-10		KIT 570	
A-35618-2	Q100, Q145	35169	6-41T	6.83	1.88-10	N	KIT 570	Use A-35618-5
A-35618-3	Q100, Q145	35169	6-41T	6.83	1.88-10		KIT 570	
A-35618-4	Q100, Q145	35169	6-41T	6.83	1.88-10	BR, N, SR	KIT 570	No Longer Avail.
A-35618-5	Q100, Q145	35169	6-41T	6.83	1.88-10	N	KIT 570	No Longer Avail.
A-35618-6	Q130	35507	6-41T	6.83	1.88-10	N	KIT 570	
A-35618	Q100, Q145	35169	6-41T	6.83	1.88-10		KIT 570	No Longer Avail.
A-35620-1	Q100, Q145	35439	5-36T	7.20	1.88-10	BR, N, SR	KIT 570	No Longer Avail.
A-35620-2	Q100, Q145	35439	5-36T	7.20	1.88-10	R	KIT 570	Use A-35620-3
A-35620-3	Q100, Q145	35439	5-36T	7.20	1.88-10	N	KIT 570	No Longer Avail.
A-35620	Q100, Q145	35439	5-36T	7.20	1.88-10		KIT 570	No Longer Avail.
A-35622-1	Q100, Q145	35163	5-39T	7.80	1.88-10	BR, N, SR	KIT 570	No Longer Avail.
A-35622-2	Q100, Q145	35163	5-39T	7.80	1.88-10	N, R	KIT 570	Use A-35622-3

HARDWARE KEY

B - Bolt or Capscrew **BN** - Button **BR** - Bearing or Bearing Race **MN** - Metric Nut
N - Nut **Q** - Quill **R** - Retainer **RV** - Rivet
S - Shim **SG** - Spur Gear **SR** - Snap Ring or Lock Ring **W** - Washer

SPLINE SIZE KEY

T - Tapered **STR** - Straight

(1) Recommended fasteners, not included with gearset.

(gr) Ring gear

GEARSETS BY PART NUMBER

Gearset	Model	Pinion	Tooth Count	Ratio	Spline Size	Hardware Included	Gear to Case Fastener (1)	Remarks
A-35622-3	Q100, Q145	35163	5-39T	7.80	1.88-10	N	KIT 570	No Longer Avail.
A-35622	Q100, Q145	35163	5-39T	7.80	1.88-10		KIT 570	No Longer Avail.
A-35626-1	LHD, QHD	35631	5-39T	7.80	2-21		KIT 570	Repl. by A-35802-18
A-35626	L100, LHR, QHR	35627	5-39T	7.80	1.75-10		KIT 570	Repl. by A-35802-10
A-35628-1	LHD, QHD	35633	5-43T	8.60	2-21		KIT 570	Repl. by A-35800-18
A-35628	L100, LHR, QHR	35629	5-43T	8.60	1.75-10		KIT 570	Repl. by A-35800-9
A-35634-1	DHD, DHF	35641	5-39T	7.80	1.62-16		KIT 947	No Longer Avail.
A-35634-3	D100, DHR	36165	5-39T	7.80	1.38-10		KIT 947	Repl. by A-35634-6
A-35634-4	D100, DHR	36165	5-39T	7.80	1.38-10	BR, N, SR	KIT 947	1.09 Bearing
A-35634-5	DHD, DHF	35641	5-39T	7.80	1.62-16	N	KIT 947	No Longer Avail.
A-35634-6	D100, DHR	36165	5-39T	7.80	1.38-10	N	KIT 947	1.09 Bearing
A-35634-8	D100, DHR	35635	5-39T	7.80	1.38-10	N	KIT 947	.985 Bearing. No Longer Avail.
A-35634-9	D100, DHR	36165	5-39T	7.80	1.38-10	BR, N, SR	KIT 947	Repl. by A-35634-4
A-35634	D100, DHR	35635	5-39T	7.80	1.38-10		KIT 947	No Longer Avail.
A-35636-1	FHD, FHF	35643	5-39T	7.80	1.75-19		KIT 947	
A-35636-2	F Series	36009	5-39T	7.80	1.50-10		KIT 947	No Longer Avail.
A-35636-3	FHD, FHF	36015	5-39T	7.80	1.75-19		KIT 947	No Longer Avail.
A-35636-4	F Series	36009	5-39T	7.80	1.50-10	BR, N, SR	KIT 947	No Longer Avail.
A-35636-5	FHD, FHF	36015	5-39T	7.80	1.75-19	BR, N, SR	KIT 947	Repl. by A-35636-8
A-35636-6	F Series	36009	5-39T	7.80	1.50-10	N	KIT 947	No Longer Avail.
A-35636-7	FHD, FHF	36015	5-39T	7.80	1.75-19	N	KIT 947	No Longer Avail.
A-35636-8	FHD, FHF	36015	5-39T	7.80	1.75-19	BR, N, SR	KIT 947	No Longer Avail.
A-35636	F Series	35637	5-39T	7.80	1.50-10		KIT 947	Repl. by A-35636-2
A-35646	H162, L145	35647	6-41T	6.83	1.75-10		KIT 570	Repl. by A-35774-4
A-35648	H162, L145	35649	6-37T	6.17	1.75-10		KIT 570	Repl. by A-35732-4
A-35650-1	Q100, Q145	35651	5-37T	7.40	1.88-10	BR, N, SR	KIT 570	
A-35650-2	Q100, Q145	35651	5-37T	7.40	1.88-10	N	KIT 570	No Longer Avail.
A-35650	Q100, Q145	35651	5-37T	7.40	1.88-10		KIT 570	No Longer Avail.
A-35654-1	E370	35655	8-35T		1.50-10			
A-35654	E370	35655	8-35T		1.50-10	N		
A-35658-1	L350	35659	8-33T		1.75-10			No Longer Avail.
A-35658	L350	35659	8-33T		1.75-10	N		No Longer Avail.
A-35662-1	Q390	35663	8-35T		1.88-10			No Longer Avail.
A-35662	Q390	35663	8-35T		1.88-10	N		No Longer Avail.
A-35664-1	Q390	35665	9-35T		1.88-10			No Longer Avail.
A-35664	Q390	35665	9-35T		1.88-10	N		No Longer Avail.
A-35668-1	H370	35669	8-39T		1.62-10			No Longer Avail.
A-35668	H370	35669	8-39T		1.62-10	N		No Longer Avail.
A-35670-1	RT340	35671	11-34T		1.96-10			No Longer Avail.
A-35670	RT340	35671	11-34T		1.96-10	N		No Longer Avail.
A-35672-1	RT340	35673	11-32T		1.96-10			No Longer Avail.
A-35672	RT340	35673	11-32T		1.96-10	N		No Longer Avail.
A-35674-1	RT340	35675	13-30T		1.96-10			No Longer Avail.
A-35674	RT340	35675	13-30T		1.96-10	N		No Longer Avail.
A-35676-1	RT340	35677	13-29T		1.96-10			No Longer Avail.
A-35676	RT340	35677	13-29T		1.96-10	N		No Longer Avail.
A-35682-1	L370	35683	7-34T		1.75-10			No Longer Avail.
A-35682	L370	35683	7-34T		1.75-10	N		No Longer Avail.
A-35684	R390	35685	7-37T		1.96-10	N		No Longer Avail.
A-35686-1	R390	35687	7-34T		1.96-10			No Longer Avail.
A-35686	R390	35687	7-34T		1.96-10	N		No Longer Avail.

HARDWARE KEY

B - Bolt or Capscrew **BN** - Button **BR** - Bearing or Bearing Race **MN** - Metric Nut
N - Nut **Q** - Quill **R** - Retainer **RV** - Rivet
S - Shim **SG** - Spur Gear **SR** - Snap Ring or Lock Ring **W** - Washer

SPLINE SIZE KEY

T - Tapered **STR** - Straight

(1) Recommended fasteners, not included with gearset.

(gr) Ring gear

GEARSETS BY PART NUMBER

Gearset	Model	Pinion	Tooth Count	Ratio	Spline Size	Hardware Included	Gear to Case Fastener (1)	Remarks
A-35688-1	R390	12H1216	9-37T			N		No Longer Avail.
A-35688-2	R390	35689	9-37T		1.96-10			No Longer Avail.
A-35688	R390	35689	9-37T		1.96-10	N		No Longer Avail.
A-35690-1	R390	35691	11-39T		1.96-10			No Longer Avail.
A-35690	R390	35691	11-39T		1.96-10	N		No Longer Avail.
A-35692-1	R390	35693	12-37T		1.96-10			No Longer Avail.
A-35692	R390	35693	12-37T		1.96-10	N		No Longer Avail.
A-35700-1	Q380, Q390	35701	8-37T		1.88-10			No Longer Avail.
A-35700	Q380, Q390	35701	8-37T		1.88-10	N		No Longer Avail.
A-35702-1	H140, HHR, JHR	35703	7-37T	5.29	1.62-10	BR, SR, W	KIT 947	Repl. by A-35702-5
A-35702-10	HHD, HHF, JHD	36797	7-37T	5.29	2-21	BR, N, SR	KIT 947	Use A-35702-12
A-35702-11	HHD, HHF, JHD	36901	7-37T	5.29	2-21		KIT 947	No Longer Avail.
A-35702-12	HHD, HHF, JHD	36901	7-37T	5.29	2-21	BR, N, SR	KIT 947	No Longer Avail.
A-35702-2	H140, HHR, JHR	36237	7-37T	5.29	1.62-10		KIT 947	Repl. by A-35702-5
A-35702-3	HHD, HHF, JHD	36797	7-37T	5.29	2-21		KIT 947	No Longer Avail.
A-35702-4	HHD, HHF, JHD	36797	7-37T	5.29	2-21		KIT 947	
A-35702-5	H140, HHR, JHR	36903	7-37T	5.29	1.62-10	BR, N, SR	KIT 947	
A-35702-6	H140, HHR, JHR	36903	7-37T	5.29	1.62-10		KIT 947	
A-35702-7	H140, HHR, JHR	36903	7-37T	5.29	1.62-10	B, BR, N, SR, W	KIT 947	
A-35702-8	HHD, HHF, JHD	36797	7-37T	5.29	2-21	N	KIT 947	Use A-35702-12
A-35702-9	H140, HHR, JHR	36903	7-37T	5.29	1.62-10	N	KIT 947	
A-35702	H140, HHR, JHR	35703	7-37T	5.29	1.62-10		KIT 947	Repl. by A-35702-5
A-35704-1	H140, HHR, JHR	35705	6-35T	5.83	1.62-10	BR, SR, W	KIT 947	Use A-35704-6
A-35704-10	H140, HHR, JHR	36899	6-35T	5.83	1.62-10	N	KIT 947	No Longer Avail.
A-35704-11	HHD, HHF, JHD	36897	6-35T	5.83	2-21		KIT 947	
A-35704-2	H140, HHR, JHR	36235	6-35T	5.83	1.62-10		KIT 947	Repl. by A-35704-6
A-35704-3	H140, HHR, JHR	36235	6-35T	5.83	1.62-10	BR, SR	KIT 947	Use A-35704-6
A-35704-4	HHD, HHF, JHD	36795	6-35T	5.83	2-21		KIT 947	Use A-35704-8
A-35704-5	HHD, HHF, JHD	36795	6-35T	5.83	2-21		KIT 947	Use A-35704-8
A-35704-6	H140, HHR, JHR	36899	6-35T	5.83	1.62-10	BR, N, SR	KIT 947	No Longer Avail.
A-35704-7	H140, HHR, JHR	36899	6-35T	5.83	1.62-10		KIT 947	No Longer Avail.
A-35704-8	HHD, HHF, JHD	36795	6-35T	5.83	2-21	N	KIT 947	
A-35704-9	HHD, HHF, JHD	36795	6-35T	5.83	2-21	BR, N, SR	KIT 947	
A-35704	H140, HHR, JHR	35705	6-35T	5.83	1.62-10		KIT 947	Use A-35704-6
A-35708	H162, L140	35709	6-35T	5.83	1.75-10		KIT 570	
A-35710-1	F Series	35987	7-37T	5.29	1.50-10		KIT 947	Use A-35710-3
A-35710-2	F Series	35987	7-37T	5.29	1.50-10	BR, N, SR	KIT 947	
A-35710-3	F Series	35987	7-37T	5.29	1.50-10	N	KIT 947	
A-35710	F Series	35711	7-37T	5.29	1.50-10		KIT 947	
A-35712	F35	34889	5-34T	6.80	1.14T		KIT 946	
A-35714-1	L370	35715	7-37T	5.29	1.75-10			
A-35714	L370	35715	7-37T	5.29	1.75-10	N		
A-35732-1	H162, L140	35939	6-37T	6.17	1.75-10		KIT 570	Repl. by A-35732-4
A-35732-10	H172, H173, L172, L173	37951	6-37T	6.17	1.75-34	N	KIT 570	Repl. by A-35732-12
A-35732-11	H172, H173, L172, L173	38219	6-37T	6.17	1.75-34		KIT 570	
A-35732-12	H172, H173, L172, L173	38219	6-37T	6.17	1.75-34	BR, N, SR	KIT 570	Repl. by A-38756-1
A-35732-13	H172, H173, L172, L173	38219	6-37T	6.17	1.75-34	BR, N, SR	KIT 570	Repl. by A-35732-12
A-35732-14	T276, TA362	38219	6-37T	6.17	1.75-34		KIT 570	
A-35732-2	H162, L140	35649	6-37T	6.17	1.75-10	BR, SR	KIT 570	Repl. by A-35732-4

HARDWARE KEY

B - Bolt or Capscrew **BN** - Button **BR** - Bearing or Bearing Race **MN** - Metric Nut
N - Nut **Q** - Quill **R** - Retainer **RV** - Rivet
S - Shim **SG** - Spur Gear **SR** - Snap Ring or Lock Ring **W** - Washer

SPLINE SIZE KEY

T - Tapered **STR** - Straight

(1) Recommended fasteners, not included with gearset.

(gr) Ring gear

GEARSETS BY PART NUMBER

Gearset	Model	Pinion	Tooth Count	Ratio	Spline Size	Hardware Included	Gear to Case Fastener (1)	Remarks
A-35732-3	H162, L140	36539	6-37T	6.17	1.75-10		KIT 570	No Longer Avail.
A-35732-4	H162, L140	36539	6-37T	6.17	1.75-10	BR, N, SR	KIT 570	No Longer Avail.
A-35732-6	H162, L140	36539	6-37T	6.17	1.75-10	SR	KIT 570	No Longer Avail.
A-35732-7	H162, L140	36539	6-37T	6.17	1.75-10	N	KIT 570	No Longer Avail.
A-35732-8	H172, H173, L172, L173	37951	6-37T	6.17	1.75-34		KIT 570	Repl. by A-35732-12
A-35732-9	H172, H173, L172, L173	37951	6-37T	6.17	1.75-34	BR	KIT 570	Repl. by A-35732-12
A-35732	H162, L140	35649	6-37T	6.17	1.75-10		KIT 570	Repl. by A-35732-4
A-35736-1	59000	35737	6-35T	5.83	2.50-16		KIT 2464	Repl. by A-38162-1
A-35736	59000	35737	6-35T	5.83	2.50-16	N, W	KIT 2464	Repl. by A-38162-1
A-35738-1	59000	35739	7-36T	5.14	2.50-16		KIT 2464	Use A-38076-1
A-35738-2	59000	35739	7-36T	5.14	2.50-16	N	KIT 2464	Repl. by A-38076-1
A-35738	59000	35739	7-36T	5.14	2.50-16	N, W	KIT 2464	Use A-38076-1
A-35740-1	59000	35741	8-37T	4.63	2.50-16		KIT 2464	Repl. by A-38158-1
A-35740	59000	35741	8-37T	4.63	2.50-16	BR, W	KIT 2464	Use A-38158-1
A-35742-1	59000	35743	9-37T	4.11	2.50-16		KIT 2464	Use A-38152-1
A-35742	59000	35743	9-37T	4.11	2.50-16	N	KIT 2464	Repl. by A-38152-1
A-35746-1	HHD, HHF, JHD	35901	8-37T	4.63	2-21		KIT 947	Repl. by A-35746-6
A-35746-10	H140, HHR, JHR	36907	8-37T	4.63	1.62-10	N	KIT 947	
A-35746-11	HHD, HHF, JHD	36905	8-37T	4.63	2-21	N	KIT 947	
A-35746-12	H140, HHR, JHR	36907	8-37T	4.63	1.62-10	B, N, W	KIT 947	
A-35746-2	H140, HHR, JHR	35747	8-37T	4.63	1.62-10	BR, SR, W	KIT 947	Repl. by A-35746-5
A-35746-3	H140, HHR, JHR	36239	8-37T	4.63	1.62-10		KIT 947	Repl. by A-35746-5
A-35746-4	H140, HHR, JHR	36239	8-37T	4.63	1.62-10	BR, SR	KIT 947	Repl. by A-35746-5
A-35746-5	H140, HHR, JHR	36907	8-37T	4.63	1.62-10	BR, N, SR	KIT 947	
A-35746-6	HHD, HHF, JHD	36905	8-37T	4.63	2-21	BR, N, SR	KIT 947	
A-35746-7	H140, HHR, JHR	36907	8-37T	4.63	1.62-10		KIT 947	Use A-35746-10
A-35746-8	HHD, HHF, JHD	36905	8-37T	4.63	2-21		KIT 947	
A-35746-9	HHD, HHF, JHD	36905	8-37T	4.63	2-21	BR, N, SR	KIT 947	Repl. by A-35746-6
A-35746	H140, HHR, JHR	35747	8-37T	4.63	1.62-10		KIT 947	Repl. by A-35746-5
A-35748-1	QT340	35749	13-30T		1.88-10			No Longer Avail.
A-35748	QT340	35749	13-30T		1.88-10	N		No Longer Avail.
A-35750-1	R230	35751	19-34T		1.96-10			No Longer Avail.
A-35750-2	R214, R255, U240	37877	19-34T		2-39			
A-35750-3	R214, R255, U240	37877	19-34T		2-39	N		
A-35750	R230	35751	19-34T		1.96-10	N		No Longer Avail.
A-35752-1	Q390	35753	7-37T	5.29	1.88-10			No Longer Avail.
A-35752	Q390	35753	7-37T	5.29	1.88-10	N		No Longer Avail.
A-35754-1	FDS750	35755	5-39T	7.80	1.50-10	BR, N, SR	KIT 947	No Longer Avail.
A-35754	FDS750	35755	5-39T	7.80	1.50-10		KIT 947	No Longer Avail.
A-35756-1	FDS750	35757	6-43T	7.17	1.50-10	N	KIT 947	
A-35756	FDS750	35757	6-43T	7.17	1.50-10		KIT 947	
A-35758	FDS750	35759	6-41T	6.83	1.50-10		KIT 947	No Longer Avail.
A-35760	FDS750	35761	6-39T	6.50	1.50-10		KIT 947	
A-35762	FDS750	35763	6-37T	6.17	1.50-10		KIT 947	
A-35764	FDS750	35765	7-43T	6.14	1.50-10		KIT 947	
A-35768-1	R155, SHR	35769	7-39T	5.57	1.96-10	BR, N, W	KIT 2393	Use A-40676-3
A-35768-2	R155, SHR	35769	7-39T	5.57	1.96-10	BR, N, R, W	KIT 2393	No Longer Avail.
A-35768-3	R155, SHR	35769	7-39T	5.57	1.96-10	N	KIT 2393	No Longer Avail.
A-35768-5	R155, SHR	37833	7-39T	5.57	2-39		KIT 2393	Use A-40676-1
A-35768-6	R155, SHR	37833	7-39T	5.57	2-39	N	KIT 2393	Repl. by A-40676-1

HARDWARE KEY

B - Bolt or Capscrew **BN** - Button **BR** - Bearing or Bearing Race **MN** - Metric Nut
N - Nut **Q** - Quill **R** - Retainer **RV** - Rivet
S - Shim **SG** - Spur Gear **SR** - Snap Ring or Lock Ring **W** - Washer

SPLINE SIZE KEY

T - Tapered **STR** - Straight

(1) Recommended fasteners, not included with gearset.

(gr) Ring gear

GEARSETS BY PART NUMBER

Gearset	Model	Pinion	Tooth Count	Ratio	Spline Size	Hardware Included	Gear to Case Fastener (1)	Remarks
A-35768-7	R155, SHR	35769	7-39T	5.57	1.96-10	B, N, W	KIT 2393	Use A-40676-3
A-35768-8	R155, SHR	37833	7-39T	5.57	2-39	BR, N, R, W	KIT 2393	Use A-40676-1
A-35768	R155, SHR	35769	7-39T	5.57	1.96-10		KIT 2393	No Longer Avail.
A-35770-1	53587, PR35	35771	6-37T	6.17	1.14T	BR, N, SR	KIT 946	No Longer Avail.
A-35770	53587, PR35	35771	6-37T	6.17	1.14T		KIT 946	No Longer Avail.
A-35772-4	H162, L145	35945	5-36T	7.20	1.75-10		KIT 570	Use A-35772-7
A-35772-5	H162, L145	35989X	5-36T	7.20	1.75-10		KIT 570	Use A-35772-7
A-35772-6	H162, L145	36533	5-36T	7.20	1.75-10		KIT 570	No Longer Avail.
A-35772-7	H162, L145	36533	5-36T	7.20	1.75-10	BR, N, SR	KIT 570	No Longer Avail.
A-35772-8	H162, L145	36533	5-36T	7.20	1.75-10	N	KIT 570	No Longer Avail.
A-35772	H162, L145	35601	5-36T	7.20	1.75-10		KIT 570	Use A-35772-7
A-35774-10	H172, H173, L172, L173	38221	6-41T	6.83	1.75-34		KIT 570	
A-35774-11	H172, H173, L172, L173	38221	6-41T	6.83	1.75-34	BR, N, SR	KIT 570	
A-35774-12	H172, H173, L172, L173	38221	6-41T	6.83	1.75-34	N, SR	KIT 570	
A-35774-13	T276, TA362	38221	6-41T	6.83	1.75-34	BR, N, SR	KIT 570	
A-35774-2	H162, L145	35931	6-41T	6.83	1.75-10		KIT 570	Repl. by A-35774-5
A-35774-3	H162, L145	35647	6-41T	6.83	1.75-10	BR, SR	KIT 570	Repl. by A-35774-5
A-35774-4	H162, L145	36535	6-41T	6.83	1.75-10		KIT 570	No Longer Avail.
A-35774-5	H162, L145	36535	6-41T	6.83	1.75-10	BR, N, W	KIT 570	No Longer Avail.
A-35774-6	H162, L145	36535	6-41T	6.83	1.75-10	N	KIT 570	No Longer Avail.
A-35774-7	H172, H173, L172, L173	37949	6-41T	6.83	1.75-34		KIT 570	Repl. by A-35774-11
A-35774-8	H172, H173, L172, L173	37949	6-41T	6.83	1.75-34	BR	KIT 570	Use A-35774-11
A-35774-9	H172, H173, L172, L173	38221	6-41T	6.83	1.75-34	N	KIT 570	Use A-35774-12
A-35774	H162, L145	35647	6-35T	6.83	1.75-10		KIT 570	Repl. by A-35774-5
A-35776-1	H162, L145	35965	7-37T	5.29	1.75-10		KIT 570	Repl. by A-35776-3
A-35776-10	H172, H173, L172, L173	38187	7-37T	5.29	1.75-34		KIT 570	
A-35776-2	H162, L145	36543	7-37T	5.29	1.75-10		KIT 570	
A-35776-3	H162, L145	36543	7-37T	5.29	1.75-10	BR, N, SR	KIT 570	
A-35776-4	H162, L145	36543	7-37T	5.29	1.75-10	N	KIT 570	
A-35776-5	H172, H173, L172, L173	37955	7-37T	5.29	1.75-34		KIT 570	Repl. by A-35776-9
A-35776-6	H172, H173, L172, L173	37955	7-37T	5.29	1.75-34	BR	KIT 570	Use A-35776-9
A-35776-7	H172, H173, L172, L173	37955	7-37T	5.29	1.75-34	N	KIT 570	Use A-35776-9
A-35776-8	H172, H173, L172, L173	38187	7-37T	5.29	1.75-34		KIT 570	
A-35776-9	H172, H173, L172, L173	38187	7-37T	5.29	1.75-34	BR, N, SR	KIT 570	
A-35776	H162, L145	35603	7-37T	5.29	1.75-10		KIT 570	Repl. by A-35776-3
A-35778-1	H162, L145	36541	6-35T	5.83	1.75-10		KIT 570	No Longer Avail.
A-35778-10	T276, TA362	38217	6-35T	5.83	1.75-34	BR, N, SR	KIT 570	
A-35778-11	H172, H173, L172, L173	38217	6-35T	5.83	1.75-34	N	KIT 570	Repl. by A-38790-2
A-35778-2	H162, L145	36541	6-35T	5.83	1.75-10	BR, N, SR	KIT 570	No Longer Avail.

HARDWARE KEY

B - Bolt or Capscrew **BN** - Button **BR** - Bearing or Bearing Race **MN** - Metric Nut
N - Nut **Q** - Quill **R** - Retainer **RV** - Rivet
S - Shim **SG** - Spur Gear **SR** - Snap Ring or Lock Ring **W** - Washer

SPLINE SIZE KEY

T - Tapered **STR** - Straight

(1) Recommended fasteners, not included with gearset.

(gr) Ring gear

GEARSETS BY PART NUMBER

Gearset	Model	Pinion	Tooth Count	Ratio	Spline Size	Hardware Included	Gear to Case Fastener (1)	Remarks
A-35778-3	H162, L145	36541	6-35T	5.83	1.75-10	N	KIT 570	No Longer Avail.
A-35778-4	H172, H173, L172, L173	37953	6-35T	5.83	1.75-34		KIT 570	Repl. by A-38790-2
A-35778-5	H172, H173, L172, L173	37953	6-35T	5.83	1.75-34	BR	KIT 570	Repl. by A-38790-3
A-35778-7	H172, H173, L172, L173	38217	6-35T	5.83	1.75-34		KIT 570	Repl. by A-38790-2
A-35778-8	H172, H173, L172, L173	38217	6-35T	5.83	1.75-34	N, SR	KIT 570	Repl. by A-38790-1
A-35778-9	H172, H173, L172, L173	38217	6-35T	5.83	1.75-34	BR, N, SR	KIT 570	Repl. by A-38790-3
A-35778	H162, L145	35709	6-35T	5.83	1.75-10		KIT 570	Repl. by A-35778-2
A-35780-1	DHD, DHF	35781	5-36T	7.20	1.62-16		KIT 947	No Longer Avail.
A-35780-2	D100, DHR	36167	5-36T	7.20	1.38-10		KIT 947	No Longer Avail.
A-35780-3	D100, DHR	36167	5-36T	7.20	1.38-10	BR, N, SR	KIT 947	1.09 Bearing
A-35780-4	D100, DHR	35779	5-36T	7.20	1.38-10	N	KIT 947	No Longer Avail.
A-35780-5	DHD, DHF	35781	5-36T	7.20	1.62-16	BR, N, W	KIT 947	No Longer Avail.
A-35780-6	D100, DHR	36167	5-36T	7.20	1.38-10	N	KIT 947	No Longer Avail.
A-35780-7	D100, DHR	36167	5-36T	7.20	1.38-10	BR, N, SR	KIT 947	1.09 Bearing
A-35780	D100, DHR	35779	5-36T	7.20	1.38-10		KIT 947	No Longer Avail.
A-35782-1	H262, H362, L245, L365	35783	10-31T		1.75-10		KIT 570	No Longer Avail.
A-35782-2	H262, H362, L245, L365	35783	10-31T		1.75-10	N	KIT 570	No Longer Avail.
A-35782	H262, H362, L245, L365	35783	10-31T		1.75-10	N	KIT 570	Repl. by A-35782-2
A-35784-1	H262, H362, L245, L365	35785	13-31T		1.75-10		KIT 570	No Longer Avail.
A-35784-2	H262, H362, L245, L365	35785	13-31T		1.75-10	N	KIT 570	No Longer Avail.
A-35784	H262, H362, L245, L365	35785	13-31T		1.75-10	N	KIT 570	Repl. by A-35784-2
A-35786-1	Q346, QT341	35787	13-31T		1.88-10			No Longer Avail.
A-35786-2	Q346, QT341	35787	13-31T		1.88-10	N		No Longer Avail.
A-35786	Q346, QT341	35787	13-31T		1.88-10	N		
A-35788-1	Q346, QT341	35789	10-31T		1.88-10			Use A-35788-2
A-35788-2	Q346, QT341	35789	10-31T		1.88-10	N		No Longer Avail.
A-35788	Q346, QT341	35789	10-31T		1.88-10	N		
A-35790-1	RT365	35791	14-33T		1.96-10			No Longer Avail.
A-35790-2	RT365	35791	14-33T		1.96-10	N		No Longer Avail.
A-35790	RT365	35791	14-33T		1.96-10	N		
A-35792-1	RT365	35793	15-31T		1.96-10			No Longer Avail.
A-35792-2	RT365	35793	15-31T		1.96-10	N		No Longer Avail.
A-35792	RT365	35793	15-31T		1.96-10	N		Repl. by A-35792-2
A-35796-1	59700 Series	35797	7-39T	5.57	2.50-16		KIT 2464	Use A-38112-1
A-35796	59700 Series	35797	7-39T	5.57	2.50-16	N, W	KIT 2464	Repl. by A-38112-1
A-35798-1	D100, DHR	36053	7-37T	5.29	1.38-10		KIT 947	1.09 Bearing
A-35798-2	D100, DHR	36053	7-37T	5.29	1.38-10	BR, N, SR	KIT 947	1.09 Bearing
A-35798-3	D100, DHR	35799	7-37T	5.29	1.38-10	N	KIT 947	No Longer Avail.
A-35798-4	D100, DHR	36053	7-37T	5.29	1.38-10	N	KIT 947	1.09 Bearing
A-35798-5	D100, DHR	36053	7-37T	5.29	1.38-10	BR, N, SR	KIT 947	1.09 Brg. Use A-35798-2

HARDWARE KEY

B - Bolt or Capscrew **BN** - Button **BR** - Bearing or Bearing Race **MN** - Metric Nut
N - Nut **Q** - Quill **R** - Retainer **RV** - Rivet
S - Shim **SG** - Spur Gear **SR** - Snap Ring or Lock Ring **W** - Washer

SPLINE SIZE KEY

T - Tapered **STR** - Straight

(1) Recommended fasteners, not included with gearset.

(gr) Ring gear

GEARSETS BY PART NUMBER

Gearset	Model	Pinion	Tooth Count	Ratio	Spline Size	Hardware Included	Gear to Case Fastener (1)	Remarks
A-35798	D100, DHR	35799	7-37T	5.29	1.38-10		KIT 947	No Longer Avail.
A-35800-1	L100, LHR, QHR	35629	5-43T	8.60	1.75-10		KIT 570	Repl. by A-35800-9
A-35800-10	LHD, QHD	36477	5-43T	8.60	2-21	N, SR	KIT 570	Use A-35800-18
A-35800-11	L100, LHR, QHR	36485	5-43T	8.60	1.75-10	BR, N, R, SR	KIT 570	No Longer Avail.
A-35800-12	LHD, QHD	36477	5-43T	8.60	2-21	BR, R, W	KIT 570	Repl. by A-35800-20
A-35800-13	LHD, QHD	36477	5-43T	8.60	2-21		KIT 570	Use A-35800-18
A-35800-14	L100, LHR, QHR	36485	5-43T	8.60	1.75-10	N	KIT 570	No Longer Avail.
A-35800-15	LHD, QHD	36477	5-43T	8.60	2-21	N, W	KIT 570	Use A-35800-18
A-35800-16	LHD, QHD	39259	5-43T	8.60	2-39		KIT 570	No Longer Avail.
A-35800-17	LHD, QHD	39259	5-43T	8.60	2-39	N, W	KIT 570	No Longer Avail.
A-35800-18	LHD, QHD	39259	5-43T	8.60	2-39	N, SG, W	KIT 570	No Longer Avail.
A-35800-19	LHD, QHD	39259	5-43T	8.60	2-39	BR, N, SR, W	KIT 570	No Longer Avail.
A-35800-2	L100, LHR, QHR	35629	5-43T	8.60	1.75-10		KIT 570	Repl. by A-35800-9
A-35800-20	LHD, QHD	39259	5-43T	8.60	2-39	BR, N, SG, SR, W	KIT 570	No Longer Avail.
A-35800-3	LHD, QHD	35633	5-43T	8.60	2-21		KIT 570	Use A-35800-20
A-35800-4	L100, LHR, QHR	35629	5-43T	8.60	1.75-10	BR, SR, W	KIT 570	Repl. by A-35800-9
A-35800-5	LHD, QHD	35633	5-43T	8.60	2-21	BR, SR, W	KIT 570	Repl. by A-35800-20
A-35800-6	LHD, QHD	36477	5-43T	8.60	2-21	N, W	KIT 570	Repl. by A-35800-18
A-35800-7	L100, LHR, QHR	36485	5-43T	8.60	1.75-10		KIT 570	No Longer Avail.
A-35800-8	LHD, QHD	36477	5-43T	8.60	2-21		KIT 570	Repl. by A-35800-18
A-35800-9	L100, LHR, QHR	36485	5-43T	8.60	1.75-10	BR, N, SR	KIT 570	No Longer Avail.
A-35800	LHD, QHD	35633	5-43T	8.60	2-21		KIT 570	Repl. by A-35800-18
A-35802-1	L100, LHR, QHR	35627	5-39T	7.80	1.75-10		KIT 570	Use A-35802-10
A-35802-10	L100, LHR, QHR	36513	5-39T	7.80	1.75-10	BR, N, SR	KIT 570	No Longer Avail.
A-35802-11	LHD, QHD	36495	5-39T	7.80	2-21	BR, R, W	KIT 570	Use A-35802-20
A-35802-12	L100, LHR, QHR	36513	5-39T	7.80	1.75-10	BR, N, R, SR	KIT 570	Use A-35802-10
A-35802-13	LHD, QHD	36495	5-39T	7.80	2-21		KIT 570	Use A-35802-18
A-35802-14	LHD, QHD	36495	5-39T	7.80	2-21	N, W	KIT 570	Repl. by A-35802-18
A-35802-15	L100, LHR, QHR	36513	5-39T	7.80	1.75-10	N	KIT 570	
A-35802-16	LHD, QHD	39257	5-39T	7.80	2-39		KIT 570	No Longer Avail.
A-35802-17	LHD, QHD	39257	5-39T	7.80	2-39	N, W	KIT 570	No Longer Avail.
A-35802-18	LHD, QHD	39257	5-39T	7.80	2-39	N, SG, W	KIT 570	No Longer Avail.
A-35802-19	LHD, QHD	39257	5-39T	7.80	2-39	BR, N, SR, W	KIT 570	No Longer Avail.
A-35802-2	LHD, QHD	35631	5-39T	7.80	2-21		KIT 570	Repl. by A-35802-18
A-35802-20	LHD, QHD	39257	5-39T	7.80	2-39	BR, N, SG, SR, W	KIT 570	No Longer Avail.
A-35802-3	L100, LHR, QHR	35627	5-39T	7.80	1.75-10		KIT 570	Use A-35802-10
A-35802-4	LHD, QHD	35631	5-39T	7.80	2-21	BR, SR	KIT 570	Use A-35802-20
A-35802-5	L100, LHR, QHR	35627	5-39T	7.80	1.75-10	BR, SR	KIT 570	Use A-35802-10
A-35802-6	LHD, QHD	36495	5-39T	7.80	2-21	N, W	KIT 570	Use A-35802-18
A-35802-7	L100, LHR, QHR	36513	5-39T	7.80	1.75-10		KIT 570	No Longer Avail.
A-35802-8	LHD, QHD	36495	5-39T	7.80	2-21		KIT 570	Repl. by A-35802-18
A-35802-9	LHD, QHD	36495	5-39T	7.80	2-21	BR, N, SR, W	KIT 570	Repl. by A-35802-20
A-35802	LHD, QHD	35631	5-39T	7.80	2-21		KIT 570	Use A-35802-18
A-35804-1	LHD, QHD	35305	5-36T	7.20	2-21		KIT 570	Repl. by A-35804-25
A-35804-10	LHD, QHD	36497	5-36T	7.20	2-21		KIT 570	Repl. by A-35804-23
A-35804-11	L100, LHR, QHR	36515	5-36T	7.20	1.75-10	BR, N, SR	KIT 570	No Longer Avail.
A-35804-12	LHD, QHD	36497	5-36T	7.20	2-21	BR, N	KIT 570	Repl. by A-35804-25
A-35804-13	L100, LHR, QHR	36515	5-36T	7.20	1.75-10	BR, N, S, SR	KIT 570	No Longer Avail.
A-35804-14	L100, LHR, QHR	35615	5-36T	7.20	1.75-10	BR, N, SR	KIT 570	Use A-35804-11

HARDWARE KEY

B - Bolt or Capscrew **BN** - Button **BR** - Bearing or Bearing Race **MN** - Metric Nut
N - Nut **Q** - Quill **R** - Retainer **RV** - Rivet
S - Shim **SG** - Spur Gear **SR** - Snap Ring or Lock Ring **W** - Washer

SPLINE SIZE KEY

T - Tapered **STR** - Straight

(1) Recommended fasteners, not included with gearset.

(gr) Ring gear

GEARSETS BY PART NUMBER

Gearset	Model	Pinion	Tooth Count	Ratio	Spline Size	Hardware Included	Gear to Case Fastener (1)	Remarks
A-35804-15	L100, LHR, QHR	36515	5-36T	7.20	1.75-10	BR, S, R, N	KIT 570	Use A-35804-19
A-35804-16	LHD, QHD	36497	5-36T	7.20	2-21	BR, R	KIT 570	Use A-35804-25
A-35804-17	LHD, QHD	36497	5-36T	7.20	2-21		KIT 570	Use A-35804-23
A-35804-18	LHD, QHD	36497	5-36T	7.20	2-21	N, W	KIT 570	Use A-35804-23
A-35804-19	L100, LHR, QHR	36515	5-36T	7.20	1.75-10	N	KIT 570	No Longer Avail.
A-35804-2	LHD, QHD	35305	5-36T	7.20	2-21	S	KIT 570	Use A-35804-23
A-35804-20	LHD, QHD	36497	5-36T	7.20	2-21	SR	KIT 570	Use A-35804-23
A-35804-21	LHD, QHD	39275	5-36T	7.20	2-39		KIT 570	No Longer Avail.
A-35804-22	LHD, QHD	39275	5-36T	7.20	2-39	N, W	KIT 570	No Longer Avail.
A-35804-23	LHD, QHD	39275	5-36T	7.20	2-39	N, SG, W	KIT 570	No Longer Avail.
A-35804-24	LHD, QHD	39275	5-36T	7.20	2-39	BR, N, SR, W	KIT 570	No Longer Avail.
A-35804-25	LHD, QHD	39275	5-36T	7.20	2-39	BR, N, SG, SR, W	KIT 570	No Longer Avail.
A-35804-4	LHD, QHD	35305	5-36T	7.20	2-21	N	KIT 570	Use A-35804-23
A-35804-5	LHD, QHD	35305	5-36T	7.20	2-21	R, S	KIT 570	Use A-35804-23
A-35804-6	L100, LHR, QHR	36515	5-36T	7.20	1.75-10	N, R	KIT 570	Use A-35804-19
A-35804-7	L100, LHR, QHR	35615	5-36T	7.20	1.75-10	BR, SR	KIT 570	Use A-35804-11
A-35804-8	LHD, QHD	36497	5-36T	7.20	2-21		KIT 570	Repl. by A-35804-23
A-35804-9	L100, LHR, QHR	36515	5-36T	7.20	1.75-10		KIT 570	No Longer Avail.
A-35804	L100, LHR, QHR	35615	5-36T	7.20	1.75-10		KIT 570	Repl. by A-35804-19
A-35806-1	L100, LHR, QHR	35327	6-41T	6.83	1.75-10		KIT 570	Use A-35806-11
A-35806-10	LHD, QHD	36499	6-41T	6.83	2-21		KIT 570	Use A-35806-22
A-35806-11	L100, LHR, QHR	36517	6-41T	6.83	1.75-10	BR, N, SR	KIT 570	No Longer Avail.
A-35806-12	LHD, QHD	36499	6-41T	6.83	2-21	N, W	KIT 570	Repl. by A-35806-22
A-35806-13	L100, LHR, QHR	36517	6-41T	6.83	1.75-10	BR, N, R, S, SR	KIT 570	Use A-35806-11
A-35806-14	L100, LHR, QHR	36517	6-41T	6.83	1.75-10	BR, S, N	KIT 570	Use A-35806-11
A-35806-15	LHD, QHD	36499	6-41T	6.83	2-21	N, R, W	KIT 570	Repl. by A-35806-22
A-35806-17	LHD, QHD	36499	6-41T	6.83	2-21		KIT 570	Use A-35806-22
A-35806-18	LHD, QHD	36499	6-41T	6.83	2-21	N, W	KIT 570	Use A-35806-22
A-35806-19	L100, LHR, QHR	36517	6-41T	6.83	1.75-10	N	KIT 570	No Longer Avail.
A-35806-2	L100, LHR, QHR	35327	6-41T	6.83	1.75-10	S	KIT 570	Use A-35806-11
A-35806-20	LHD, QHD	39255	6-41T	6.83	2-39		KIT 570	No Longer Avail.
A-35806-21	LHD, QHD	39255	6-41T	6.83	2-39	N, W	KIT 570	No Longer Avail.
A-35806-22	LHD, QHD	39255	6-41T	6.83	2-39	N, SG, W	KIT 570	No Longer Avail.
A-35806-23	LHD, QHD	39255	6-41T	6.83	2-39	BR, N, SR, W	KIT 570	No Longer Avail.
A-35806-24	LHD, QHD	39255	6-41T	6.83	2-39	BR, N, SG, SR, W	KIT 570	No Longer Avail.
A-35806-3	L100, LHR, QHR	35327	6-41T	6.83	1.75-10	BR, SR	KIT 570	Use A-35806-11
A-35806-4	L100, LHR, QHR	35327	6-41T	6.83	1.75-10	R, S	KIT 570	Use A-35806-11
A-35806-5	LHD, QHD	35717	6-41T	6.83	2-21	R	KIT 570	Use A-35806-22
A-35806-6	LHD, QHD	35935	6-41T	6.83	2-21		KIT 570	Use A-35806-22
A-35806-7	LHD, QHD	35717	6-41T	6.83	2-21	BR, SR, W	KIT 570	Use A-35806-24
A-35806-8	LHD, QHD	36499	6-41T	6.83	2-21		KIT 570	Repl. by A-35806-22
A-35806-9	L100, LHR, QHR	36517	6-41T	6.83	1.75-10		KIT 570	No Longer Avail.
A-35806	LHD, QHD	35717	6-41T	6.83	2-21		KIT 570	Repl. by A-35806-24
A-35808-1	L100, LHR, QHR	35329	6-37T	6.17	1.75-10		KIT 570	Use A-35808-12
A-35808-10	L100, LHR, QHR	36521	6-37T	6.17	1.75-10		KIT 570	No Longer Avail.
A-35808-11	LHD, QHD	36503	6-37T	6.17	2-21		KIT 570	Repl. by A-35808-23
A-35808-12	L100, LHR, QHR	36521	6-37T	6.17	1.75-10	BR, N, SR	KIT 570	No Longer Avail.
A-35808-13	LHD, QHD	36503	6-37T	6.17	2-21	BR, N, SR	KIT 570	Repl. by A-35808-24
A-35808-14	L100, LHR, QHR	36521	6-37T	6.17	1.75-10	BR, N, S, SR	KIT 570	Use A-35808-12

HARDWARE KEY

B - Bolt or Capscrew **BN** - Button **BR** - Bearing or Bearing Race **MN** - Metric Nut
N - Nut **Q** - Quill **R** - Retainer **RV** - Rivet
S - Shim **SG** - Spur Gear **SR** - Snap Ring or Lock Ring **W** - Washer

SPLINE SIZE KEY

T - Tapered **STR** - Straight

(1) Recommended fasteners, not included with gearset.

(gr) Ring gear

GEARSETS BY PART NUMBER

Gearset	Model	Pinion	Tooth Count	Ratio	Spline Size	Hardware Included	Gear to Case Fastener (1)	Remarks
A-35808-15	L100, LHR, QHR	36521	6-37T	6.17	1.75-10	BR, N, R, S, SR	KIT 570	Use A-35808-12
A-35808-16	LHD, QHD	36503	6-37T	6.17	2-21	R	KIT 570	Use A-35808-23
A-35808-17	LHD, QHD	36503	6-37T	6.17	2-21		KIT 570	Use A-35808-23
A-35808-18	LHD, QHD	36503	6-37T	6.17	2-21	N, W	KIT 570	Repl. by A-35808-23
A-35808-19	L100, LHR, QHR	36521	6-37T	6.17	1.75-10	N	KIT 570	No Longer Avail.
A-35808-2	L100, LHR, QHR	35329	6-37T	6.17	1.75-10	S	KIT 570	Use A-35808-12
A-35808-21	LHD, QHD	39253	6-37T	6.17	2-39		KIT 570	No Longer Avail.
A-35808-22	LHD, QHD	39253	6-37T	6.17	2-39	N, W	KIT 570	No Longer Avail.
A-35808-23	LHD, QHD	39253	6-37T	6.17	2-39	N, SG, W	KIT 570	No Longer Avail.
A-35808-24	LHD, QHD	39253	6-37T	6.17	2-39	BR, N, SG, SR, W	KIT 570	No Longer Avail.
A-35808-25	LHD, QHD	39253	6-37T	6.17	2-39	BR, N, SR, W	KIT 570	No Longer Avail.
A-35808-3	L100, LHR, QHR	35329	6-37T	6.17	1.75-10	BR, SR	KIT 570	Use A-35808-12
A-35808-4	L100, LHR, QHR	35329	6-37T	6.17	1.75-10	R, S	KIT 570	Use A-35808-12
A-35808-5	LHD, QHD	35719	6-37T	6.17	2-21	R	KIT 570	Use A-35808-24
A-35808-6	LHD, QHD	35719	6-37T	6.17	2-21	BR, SR	KIT 570	Use A-35808-24
A-35808-7	LHD, QHD	35719	6-37T	6.17	2-21	BR, SR	KIT 570	Use A-35808-24
A-35808-9	LHD, QHD	36503	6-37T	6.17	2-21		KIT 570	Repl. by A-35808-23
A-35808	LHD, QHD	35719	6-37T	6.17	2-21		KIT 570	Repl. by A-35808-24
A-35810-1	L100, LHR, QHR	35535	6-35T	5.83	1.75-10		KIT 570	Repl. by A-35810-10
A-35810-10	L100, LHR, QHR	36523	6-35T	5.83	1.75-10	BR, N, SR	KIT 570	No Longer Avail.
A-35810-11	LHD, QHD	36507	6-35T	5.83	2-21	BR, N, R, SR	KIT 570	Use A-35810-21
A-35810-12	L100, LHR, QHR	36523	6-35T	5.83	1.75-10	BR, N, R, SR	KIT 570	Use A-35810-10
A-35810-15	LHD, QHD	36507	6-35T	5.83	2-21		KIT 570	Use A-35810-20
A-35810-16	LHD, QHD	36507	6-35T	5.83	2-21	N, W	KIT 570	Repl. by A-35810-20
A-35810-17	L100, LHR, QHR	36523	6-35T	5.83	1.75-10	N	KIT 570	No Longer Avail.
A-35810-18	LHD, QHD	39249	6-35T	5.83	2-39		KIT 570	No Longer Avail.
A-35810-19	LHD, QHD	39249	6-35T	5.83	2-39	N, W	KIT 570	No Longer Avail.
A-35810-2	L100, LHR, QHR	35535	6-35T	5.83	1.75-10	R	KIT 570	Use A-35810-10
A-35810-20	LHD, QHD	39249	6-35T	5.83	2-39	N, SG, W	KIT 570	No Longer Avail.
A-35810-21	LHD, QHD	39249	6-35T	5.83	2-39	BR, N, SG, SR, W	KIT 570	No Longer Avail.
A-35810-22	LHD, QHD	39249	6-35T	5.83	2-39	BR, N, SR, W	KIT 570	No Longer Avail.
A-35810-24	LHD, QHD	39249	6-35T	5.83	2-39	N, R, W	KIT 570	
A-35810-3	LHD, QHD	35721	6-35T	5.83	2-21	R	KIT 570	Repl. by A-35810-21
A-35810-4	LHD, QHD	35721	6-35T	5.83	2-21	BR, SR	KIT 570	Repl. by A-35810-21
A-35810-5	L100, LHR, QHR	35535	6-35T	5.83	1.75-10	BR, SR	KIT 570	Use A-35810-10
A-35810-6	LHD, QHD	36507	6-35T	5.83	2-21	N, W	KIT 570	Repl. by A-35810-20
A-35810-7	L100, LHR, QHR	36523	6-35T	5.83	1.75-10		KIT 570	No Longer Avail.
A-35810-8	LHD, QHD	36507	6-35T	5.83	2-21		KIT 570	Use A-35810-20
A-35810-9	LHD, QHD	36507	6-35T	5.83	2-21	W	KIT 570	Repl. by A-35810-21
A-35810	LHD, QHD	35721	6-35T	5.83	2-21		KIT 570	Repl. by A-35810-21
A-35812-1	L100, LHR, QHR	35159	7-37T	5.29	1.75-10		KIT 570	Repl. by A-35812-11
A-35812-10	LHD, QHD	36505	7-37T	5.29	2-21		KIT 570	Repl. by A-35812-21
A-35812-11	L100, LHR, QHR	36489	7-37T	5.29	1.75-10	BR, N, SR	KIT 570	No Longer Avail.
A-35812-12	LHD, QHD	36505	7-37T	5.29	2-21	BR, N, SR, W	KIT 570	Repl. by A-35812-23
A-35812-13	L100, LHR, QHR	36489	7-37T	5.29	1.75-10	BR, N, SR	KIT 570	Use A-35812-11
A-35812-14	LHD, QHD	36505	7-37T	5.29	2-21	BR, N, R, SR, W	KIT 570	Repl. by A-35812-23
A-35812-15	L100, LHR, QHR	36489	7-37T	5.29	1.75-10	BR, N, R, SR	KIT 570	Use A-35812-11
A-35812-16	LHD, QHD	36505	7-37T	5.29	2-21		KIT 570	Use A-35812-21
A-35812-17	LHD, QHD	36505	7-37T	5.29	2-21	N, W	KIT 570	Use A-35812-21
A-35812-18	L100, LHR, QHR	36489	7-37T	5.29	1.75-10	N	KIT 570	No Longer Avail.

HARDWARE KEY

B - Bolt or Capscrew **BN** - Button **BR** - Bearing or Bearing Race **MN** - Metric Nut
N - Nut **Q** - Quill **R** - Retainer **RV** - Rivet
S - Shim **SG** - Spur Gear **SR** - Snap Ring or Lock Ring **W** - Washer

SPLINE SIZE KEY

T - Tapered **STR** - Straight

(1) Recommended fasteners, not included with gearset.

(gr) Ring gear

GEARSETS BY PART NUMBER

Gearset	Model	Pinion	Tooth Count	Ratio	Spline Size	Hardware Included	Gear to Case Fastener (1)	Remarks
A-35812-19	LHD, QHD	39247	7-37T	5.29	2-39		KIT 570	No Longer Avail.
A-35812-2	L100, LHR, QHR	35159	7-37T	5.29	1.75-10	BR, SR	KIT 570	Use A-35812-11
A-35812-20	LHD, QHD	39247	7-37T	5.29	2-39	N, W	KIT 570	No Longer Avail.
A-35812-21	LHD, QHD	39247	7-37T	5.29	2-39	N, SG, W	KIT 570	No Longer Avail.
A-35812-22	LHD, QHD	39247	7-37T	5.29	2-39	BR, N, SR, W	KIT 570	No Longer Avail.
A-35812-23	LHD, QHD	39247	7-37T	5.29	2-39	BR, N, SG, SR, W	KIT 570	No Longer Avail.
A-35812-3	LHD, QHD	35723	7-37T	5.29	2-21	N	KIT 570	Use A-35812-23
A-35812-4	LHD, QHD	35723	7-37T	5.29	2-21	R	KIT 570	Use A-35812-23
A-35812-5	L100, LHR, QHR	35159	7-37T	5.29	1.75-10	R	KIT 570	Use A-35812-11
A-35812-6	L100, LHR, QHR	35159	7-37T	5.29	1.75-10	BR, R, SR	KIT 570	Use A-35812-11
A-35812-7	LHD, QHD	35723	7-37T	5.29	2-21	BR, SR	KIT 570	Use A-35812-23
A-35812-8	LHD, QHD	36505	7-37T	5.29	2-21		KIT 570	Repl. by A-35812-21
A-35812-9	L100, LHR, QHR	36489	7-37T	5.29	1.75-10		KIT 570	No Longer Avail.
A-35812	LHD, QHD	35723	7-37T	5.29	2-21		KIT 570	No Longer Avail.
A-35814-1	L100, LHR, QHR	35813	8-37T	4.63	1.75-10	N	KIT 570	Use A-35814-8
A-35814-10	L100, LHR, QHR	36525	8-37T	4.63	1.75-10	BR, N, SR	KIT 570	Repl. by A-35814-8
A-35814-12	LHD, QHD	36509	8-37T	4.63	2-21		KIT 570	Use A-35814-17
A-35814-13	LHD, QHD	36509	8-37T	4.63	2-21	N, W	KIT 570	Use A-35814-17
A-35814-14	L100, LHR, QHR	36525	8-37T	4.63	1.75-10	N	KIT 570	No Longer Avail.
A-35814-15	LHD, QHD	39245	8-37T	4.63	2-39		KIT 570	No Longer Avail.
A-35814-16	LHD, QHD	39245	8-37T	4.63	2-39	N, W	KIT 570	No Longer Avail.
A-35814-17	LHD, QHD	39245	8-37T	4.63	2-39	SG, W, N	KIT 570	No Longer Avail.
A-35814-18	LHD, QHD	39245	8-37T	4.63	2-39	BR, N, SG, SR, W	KIT 570	No Longer Avail.
A-35814-19	LHD, QHD	39245	8-37T	4.63	2-39	BR, N, SR, W	KIT 570	Use A-35814-18
A-35814-2	L100, LHR, QHR	35813	8-37T	4.63	1.75-10		KIT 570	Use A-35814-8
A-35814-20	LHD, QHD	39245	8-37T	4.63	2-39	N, SG, SR, W	KIT 570	Repl. by A-35814-18
A-35814-3	L100, LHR, QHR	35813	8-37T	4.63	1.75-10	BR, SR	KIT 570	Use A-35814-8
A-35814-4	LHD, QHD	35815	8-37T	4.63	2-21	BR, SR	KIT 570	Use A-35814-18
A-35814-5	LHD, QHD	36509	8-37T	4.63	2-21	N, W	KIT 570	Use A-35814-17
A-35814-6	L100, LHR, QHR	36525	8-37T	4.63	1.75-10		KIT 570	No Longer Avail.
A-35814-7	LHD, QHD	36509	8-37T	4.63	2-21		KIT 570	Use A-35814-17
A-35814-8	L100, LHR, QHR	36525	8-37T	4.63	1.75-10	BR, N, SR	KIT 570	No Longer Avail.
A-35814-9	LHD, QHD	36509	8-37T	4.63	2-21	BR, N, SR, W	KIT 570	Repl. by A-35814-18
A-35814	LHD, QHD	35815	8-37T	4.63	2-21		KIT 570	Use A-35814-18
A-35816-1	L100, LHR, QHR	35489	9-40T	4.44	1.75-10	N	KIT 570	Use A-35816-10
A-35816-10	L100, LHR, QHR	36527	9-40T	4.44	1.75-10	BR, SR	KIT 570	No Longer Avail.
A-35816-11	LHD, QHD	36511	9-40T	4.44	2-21	BR, N, SR, W	KIT 570	Repl. by A-35816-22
A-35816-12	L100, LHR, QHR	36527	9-40T	4.44	1.75-10	BR, N, SR	KIT 570	Repl. by A-35816-10
A-35816-13	LHD, QHD	36511	9-40T	4.44	2-21	N, W, R	KIT 570	Use A-35816-20
A-35816-14	L100, LHR, QHR	36527	9-40T	4.44	1.75-10	BR, N, R, SR	KIT 570	Repl. by A-35816-10
A-35816-15	LHD, QHD	36511	9-40T	4.44	2-21		KIT 570	Use A-35816-17
A-35816-16	LHD, QHD	36511	9-40T	4.44	2-21	N, W	KIT 570	Use A-35816-20
A-35816-17	L100, LHR, QHR	36527	9-40T	4.44	1.75-10	N	KIT 570	No Longer Avail.
A-35816-18	LHD, QHD	39243	9-40T	4.44	2-39		KIT 570	No Longer Avail.
A-35816-19	LHD, QHD	39243	9-40T	4.44	2-39	N, W	KIT 570	No Longer Avail.
A-35816-2	LHD, QHD	35725	9-40T	4.44	2-21	R	KIT 570	Use A-35816-22
A-35816-20	LHD, QHD	39243	9-40T	4.44	2-39	N, SG, W	KIT 570	No Longer Avail.
A-35816-21	LHD, QHD	39243	9-40T	4.44	2-39	BR, N, SR, W	KIT 570	No Longer Avail.
A-35816-22	LHD, QHD	39243	9-40T	4.44	2-39	BR, N, SG, SR, W	KIT 570	No Longer Avail.

HARDWARE KEY

B - Bolt or Capscrew **BN** - Button **BR** - Bearing or Bearing Race **MN** - Metric Nut
N - Nut **Q** - Quill **R** - Retainer **RV** - Rivet
S - Shim **SG** - Spur Gear **SR** - Snap Ring or Lock Ring **W** - Washer

SPLINE SIZE KEY

T - Tapered **STR** - Straight

(1) Recommended fasteners, not included with gearset.

(gr) Ring gear

GEARSETS BY PART NUMBER

Gearset	Model	Pinion	Tooth Count	Ratio	Spline Size	Hardware Included	Gear to Case Fastener (1)	Remarks
A-35816-3	L100, LHR, QHR	35489	9-40T	4.44	1.75-10	N, R	KIT 570	Use A-35816-10
A-35816-4	L100, LHR, QHR	35489	9-40T	4.44	1.75-10	BR, SR	KIT 570	Use A-35816-10
A-35816-5	LHD, QHD	35725	9-40T	4.44	2-21	BR, SR	KIT 570	Use A-35816-22
A-35816-6	L100, LHR, QHR	35489	9-40T	4.44	1.75-10		KIT 570	Use A-35816-10
A-35816-7	LHD, QHD	36511	9-40T	4.44	2-21	N, W	KIT 570	Repl. by A-35816-20
A-35816-8	L100, LHR, QHR	36527	9-40T	4.44	1.75-10		KIT 570	No Longer Avail.
A-35816-9	L100, LHR, QHR	36527	9-40T	4.44	1.75-10		KIT 570	Repl. by A-35816-17
A-35816	LHD, QHD	35725	9-40T	4.44	2-21		KIT 570	Repl. by A-35816-22
A-35818-1	L100, LHR, QHR	35203	9-37T	4.11	1.75-10	N	KIT 570	Repl. by A-35818-20
A-35818-10	L100, LHR, QHR	36529	9-37T	4.11	1.75-10		KIT 570	No Longer Avail.
A-35818-11	LHD, QHD	36481	9-37T	4.11	2-21		KIT 570	Use A-35818-24
A-35818-12	L100, LHR, QHR	36529	9-37T	4.11	1.75-10	BR, N, SR	KIT 570	No Longer Avail.
A-35818-13	LHD, QHD	36481	9-37T	4.11	2-21	BR, N, SR, W	KIT 570	Repl. by A-35818-26
A-35818-14	L100, LHR, QHR	36529	9-37T	4.11	1.75-10	BR, N, SR	KIT 570	Repl. by A-35818-12
A-35818-15	LHD, QHD	36481	9-37T	4.11	2-21	BR, R, SR	KIT 570	Use A-35818-26
A-35818-16	L100, LHR, QHR	36529	9-37T	4.11	1.75-10	BR, SR, R, N	KIT 570	No Longer Avail.
A-35818-18	LHD, QHD	36481	9-37T	4.11	2-21		KIT 570	Use A-35818-24
A-35818-19	LHD, QHD	36481	9-37T	4.11	2-21	N, W	KIT 570	Repl. by A-35818-24
A-35818-2	L100, LHR, QHR	35203	9-37T	4.11	1.75-10	BR, SR	KIT 570	Use A-35818-12
A-35818-20	L100, LHR, QHR	36529	9-37T	4.11	1.75-10	N	KIT 570	No Longer Avail.
A-35818-21	SPR400	36743	9-37T	4.11	2.12-22	N, W	KIT 570	No Longer Avail.
A-35818-22	LHD, QHD	39239	9-37T	4.11	2-39		KIT 570	
A-35818-23	LHD, QHD	39239	9-37T	4.11	2-39	N, W	KIT 570	No Longer Avail.
A-35818-24	LHD, QHD	39239	9-37T	4.11	2-39	N, SG, W	KIT 570	
A-35818-25	LHD, QHD	39239	9-37T	4.11	2-39	BR, N, SR, W	KIT 570	No Longer Avail.
A-35818-26	LHD, QHD	39239	9-37T	4.11	2-39	BR, N, SG, SR, W	KIT 570	No Longer Avail.
A-35818-3	LHD, QHD	35613	9-37T	4.11	2-21	R	KIT 570	Use A-35818-26
A-35818-4	L100, LHR, QHR	35203	9-37T	4.11	1.75-10	N, R	KIT 570	Use A-35818-20
A-35818-5	LHD, QHD	35613	9-37T	4.11	2-21	BR, SR	KIT 570	Use A-35818-26
A-35818-6	L100, LHR, QHR	35203	9-37T	4.11	1.75-10		KIT 570	Repl. by A-35818-20
A-35818-7	PROJ 13049K	36653X	9-37T	4.11	2.25-23		KIT 570	
A-35818-8	PROJ 13049K	36743	9-37T	4.11	2.12-22		KIT 570	No Longer Avail.
A-35818-9	LHD, QHD	36481	9-37T	4.11	2-21		KIT 570	Use A-35818-24
A-35818	LHD, QHD	35613	9-37T	4.11	2-21		KIT 570	Use A-35818-26
A-35820-1	PR700	35821	11-37T	3.36	2.38-24	BR, N, R, W	KIT 945	No Longer Avail.
A-35820	PR700	35821	11-37T	3.36	2.38-24		KIT 945	No Longer Avail.
A-35822-1	PR700	35823	12-37T	3.08	2.38-24	BR, N, R, W	KIT 945	No Longer Avail.
A-35822	PR700	35823	12-37T	3.08	2.38-24		KIT 945	No Longer Avail.
A-35826-2	H340	35827	9-28T		1.62-10			No Longer Avail.
A-35826	H340	35827	9-28T		1.62-10	N		No Longer Avail.
A-35828-1	H340	35829	10-29T		1.62-10			No Longer Avail.
A-35828	H340	35829	10-29T		1.62-10	N		No Longer Avail.
A-35832-1	PR700	35833	9-37T	4.11	2.38-24	BR, N, R, W	KIT 945	No Longer Avail.
A-35832	PR700	35833	9-37T	4.11	2.38-24		KIT 945	No Longer Avail.
A-35834-1	PR700	35835	9-37T	4.11	2.38-24	BR, N, R, W	KIT 945	
A-35834	PR700	35835	9-37T	4.11	2.38-24		KIT 945	
A-35836-3	R155, SHR	35837	11-37T	3.36	1.96-10		KIT 948	Use A-35836
A-35836-4	R155, SHR	35837	11-37T	3.36	1.96-10		KIT 948	Repl. by A-35836
A-35836-5	R155, SHR	35837	11-37T	3.36	1.96-10	BR, N, R, W	KIT 948	
A-35836-6	R155, SHR	37847	11-37T	3.36	2-39		KIT 948	Repl. by A-38414-1
A-35836-7	R155, SHR	37847	11-37T	3.36	2-39	N	KIT 948	Repl. by A-38414-1
A-35836	R155, SHR	35837	11-37T	3.36	1.96-10	N	KIT 948	

HARDWARE KEY

B - Bolt or Capscrew **BN** - Button **BR** - Bearing or Bearing Race **MN** - Metric Nut
N - Nut **Q** - Quill **R** - Retainer **RV** - Rivet
S - Shim **SG** - Spur Gear **SR** - Snap Ring or Lock Ring **W** - Washer

SPLINE SIZE KEY

T - Tapered **STR** - Straight

(1) Recommended fasteners, not included with gearset.

(gr) Ring gear

GEARSETS BY PART NUMBER

Gearset	Model	Pinion	Tooth Count	Ratio	Spline Size	Hardware Included	Gear to Case Fastener (1)	Remarks
A-35838-1	R162, R163	35839	9-37T	4.11	2.62-26	N	KIT 2393	Repl. by A-40164-9
A-35838-10	R155 Type (RH)	37859	9-37T	4.11	2-39	N	KIT 2393	No Longer Avail.
A-35838-11	SHD w/Pump	38179	9-37T	4.11	2.62-26		KIT 2393	Repl. by A-40164-3
A-35838-12	SHD w/Pump	38179	9-37T	4.11	2.62-26	N	KIT 2393	Repl. by A-40164-3
A-35838-13	R155 Type (RH)	37859	9-37T	4.11	2.62-26	BR, N, R, W	KIT 2393	Use A-40164-5
A-35838-2		36733	9-37T	4.11	1.96-10		KIT 2393	No Longer Avail.
A-35838-3	R162, R163	35839	9-37T	4.11	2.62-26		KIT 2393	No Longer Avail.
A-35838-4	SHD, THD, UHD	35923	9-37T	4.11	2.62-26	N	KIT 2393	Repl. by A-40164-1
A-35838-5		36733	9-37T	4.11	1.96-10	BR, N, R, W	KIT 2393	A-3800-V-594 Carrier
A-35838-6	SHD, THD, UHD	35923	9-37T	4.11	2.62-26	N	KIT 2393	Repl. by A-40164-1
A-35838-7	R162, R163	35839	9-37T	4.11	2.62-26	N	KIT 2393	Repl. by A-40164-9
A-35838-8		36733	9-37T	4.11	1.96-10	N	KIT 2393	No Longer Avail.
A-35838-9	R155 Type (RH)	37859	9-37T	4.11	2-39		KIT 2393	No Longer Avail.
A-35838	SHD, THD, UHD	35923	9-37T	4.11	2.62-26		KIT 2393	Repl. by A-40164
A-35840-1	SHD, THD, UHD	36783	10-37T	3.70	2.62-26	N	KIT 2393	Repl. by A-40160-1
A-35840-2	PROJ 3743-3	3890N456	10-37T	3.70	1.96-10		KIT 2393	No Longer Avail.
A-35840-3	R162, R163	35841	10-37T	3.70	2.62-26		KIT 2393	Repl. by A-40160-7
A-35840-4	PROJ 3743-3	3890N456	10-37T	3.70	1.96-10	BR, N, R, W	KIT 2393	No Longer Avail.
A-35840-5	SPR440	37789	10-37T	3.70	2.62-26		KIT 2393	No Longer Avail.
A-35840-6	R155 Type (RH)	37979	10-37T	3.70	2-39		KIT 2393	No Longer Avail.
A-35840-7	R155 Type (RH)	37979	10-37T	3.70	2-39	N	KIT 2393	No Longer Avail.
A-35840-8	SPR440	37789	10-37T	3.70	2.62-26	N	KIT 2393	No Longer Avail.
A-35840	R162, R163	35841	10-37T	3.70	2.62-26	N	KIT 2393	Repl. by A-40160-7
A-35842-2	B140	35843	6-35T	5.83	1.25-10	N	KIT 947	No Longer Avail.
A-35842	B140	35843	6-35T	5.83	1.25-10		KIT 947	No Longer Avail.
A-35844-2	B140	35845	7-36T	5.14	1.25-10	N	KIT 947	No Longer Avail.
A-35844	B140	35845	7-36T	5.14	1.25-10		KIT 947	No Longer Avail.
A-35846-1	B140	35847	7-34T	4.86	1.25-10	N	KIT 947	No Longer Avail.
A-35846	B140	35847	7-34T	4.86	1.25-10		KIT 947	No Longer Avail.
A-35854-1	H262, H362, L245, L365	35855	10-33T		1.75-10			No Longer Avail.
A-35854	H262, H362, L245, L365	35855	10-33T		1.75-10	N		No Longer Avail.
A-35856-1	HHH, HHF, JHD	35859	5-39T	7.80	2-21		KIT 947	Repl. by A-35856-6
A-35856-10	H140, HHR, JHR	36879	5-39T	7.80	1.62-10	N	KIT 947	
A-35856-11	H140, HHR, JHR	36879	5-39T	7.80	1.62-10		KIT 947	Repl. by A-35856-10
A-35856-2	H140, HHR, JHR	35857	5-39T	7.80	1.62-10	BR, SR	KIT 947	Repl. by A-35856-10
A-35856-3	H140, HHR, JHR	36227	5-39T	7.80	1.62-10		KIT 947	Repl. by A-35856-10
A-35856-4	H140, HHR, JHR	36879	5-39T	7.80	1.62-10	BR, N, SR	KIT 947	
A-35856-5	HHH, HHF, JHD	36877	5-39T	7.80	2-21	BR, N, SR	KIT 947	
A-35856-6	HHH, HHF, JHD	36877	5-39T	7.80	2-21		KIT 947	
A-35856-7	H140, HHR, JHR	36879	5-39T	7.80	1.62-10		KIT 947	Repl. by A-35856-10
A-35856-8	HHH, HHF, JHD	36877	5-39T	7.80	2-21	BR, N, SR	KIT 947	
A-35856-9	HHH, HHF, JHD	36877	5-39T	7.80	2-21	N	KIT 947	
A-35856	H140, HHR, HHF, HHR, JHD, JHR	35857	5-39T	7.80	1.62-10, 2-21		KIT 947	Repl. by A-35856-4
A-35860-1	59146	35293	7-33T	4.71	2.50-16		KIT 2464	Repl. by A-38272
A-35860	59146	35293	7-33T	4.71	2.50-16	N, W	KIT 2464	Repl. by A-38272-1
A-35862-1	59145	35251	6-31T	5.17	2.50-16		KIT 2464	No Longer Avail.
A-35862	59145	35251	6-31T	5.17	2.50-16	N, W	KIT 2464	No Longer Avail.
A-35864-1	59620, 59621	35577	8-33T	4.13	2.50-16		KIT 2464	Repl. by A-38274-1

HARDWARE KEY

B - Bolt or Capscrew **BN** - Button **BR** - Bearing or Bearing Race **MN** - Metric Nut
N - Nut **Q** - Quill **R** - Retainer **RV** - Rivet
S - Shim **SG** - Spur Gear **SR** - Snap Ring or Lock Ring **W** - Washer

SPLINE SIZE KEY

T - Tapered **STR** - Straight

(1) Recommended fasteners, not included with gearset.

(gr) Ring gear

GEARSETS BY PART NUMBER

Gearset	Model	Pinion	Tooth Count	Ratio	Spline Size	Hardware Included	Gear to Case Fastener (1)	Remarks
A-35864	59620, 59621	35577	8-33T	4.13	2.50-16	N, W	KIT 2464	Repl. by A-38274-1
A-35866-1	58822	35487	6-35T	5.83	2.50-16		KIT 2464	
A-35866	59620, 59621	35487	6-35T	5.83	2.50-16	N, W	KIT 2464	
A-35868-1	58822	35583	6-33T	5.50	2.50-16		KIT 2464	Repl. by A-38268-1
A-35868	58822	35583	6-33T	5.50	2.50-16	N, W	KIT 2464	Repl. by A-38268-1
A-35872-1	RHD	35873	5-39T	7.80	2.62-26	N	KIT 949	
A-35872	RHD	35873	5-39T	7.80	2.62-26		KIT 949	Use A-35872-1
A-35874-1	H140, HHR, JHR	35875	6-41T	6.83	1.62-10		KIT 947	Repl. by A-35874-4
A-35874-2	H140, HHR, JHR	36241	6-41T	6.83	1.62-10		KIT 947	Repl. by A-35874-4
A-35874-3	H140, HHR, JHR	36887	6-41T	6.83	1.62-10		KIT 947	No Longer Avail.
A-35874-4	H140, HHR, JHR	36887	6-41T	6.83	1.62-10	BR, N, SR	KIT 947	No Longer Avail.
A-35874-5	H140, HHR, JHR	36887	6-41T	6.83	1.62-10	N	KIT 947	No Longer Avail.
A-35874	H140, HHR, JHR	35875	6-41T	6.83	1.62-10		KIT 947	Repl. by A-35874-4
A-35876	H140, HHR, JHR	35877	6-43T	7.17	1.62-10		KIT 947	
A-35880-1	Q145	35881	9-37T	4.11	1.88-10	BR, N, SR	KIT 570	
A-35880-3	Q145	35881	9-37T	4.11	1.88-10	N	KIT 570	
A-35880-4	PRLC804	38403	9-37T	4.11	1.88-10		KIT 570	
A-35880-5	PRLC804	38403	9-37T	4.11	1.88-10	BR, N, SR	KIT 570	
A-35880	Q100, Q145	35881	9-37T	4.11	1.88-10		KIT 570	
A-35884-1	RHD	35885	8-37T	4.63	2.62-26	N	KIT 570	No Longer Avail.
A-35884	RHD	35885	8-37T	4.63	2.62-26		KIT 570	No Longer Avail.
A-35886-1	RHD	35869	7-37T	5.29	2.62-26	N	KIT 570	No Longer Avail.
A-35886	RHD	35869	7-37T	5.29	2.62-26		KIT 570	No Longer Avail.
A-35888-1	RHD	35889	6-37T	6.17	2.62-26	N	KIT 570	No Longer Avail.
A-35888	RHD	35889	6-37T	6.17	2.62-26		KIT 570	No Longer Avail.
A-35890-1	RHD	35891	6-41T	6.83	2.62-26	N	KIT 570	No Longer Avail.
A-35890	RHD	35891	6-41T	6.83	2.62-26		KIT 570	No Longer Avail.
A-35892-1	RHD	35893	5-36T	7.20	2.62-26	N	KIT 570	No Longer Avail.
A-35892	RHD	35893	5-36T	7.20	2.62-26		KIT 570	No Longer Avail.
A-35902-1	Q145	35903	6-43T	7.17	1.62-10	SR	KIT 570	Repl. by A-35620-3
A-35902-3	Q145	35903	6-43T	7.17	1.62-10	N	KIT 570	Repl. by A-35620-3
A-35902	Q145	35903	6-43T	7.17	1.62-10		KIT 570	Repl. by A-35620-3
A-35910-1	R162, R163	36383	8-37T	4.63	2.62-26		KIT 2393	No Longer Avail.
A-35910-10	SHD w/Pump	38167	8-37T	4.63	2.62-26	N, BN	KIT 2393	Repl. by A-40172-3
A-35910-11	R155, SHR	37977	8-37T	4.63	2-39	BR, N, R, W	KIT 2393	Use A-40172-5
A-35910-2	R155, SHR	36761	8-37T	4.63	1.96-10		KIT 2393	No Longer Avail.
A-35910-3	SHD, THD, UHD	35911	8-37T	4.63	2.62-26	N	KIT 2393	Repl. by A-40172-1
A-35910-4	R155, SHR	36761	8-37T	4.63	1.96-10	BR, N, R, W	KIT 2393	No Longer Avail.
A-35910-5	SHD, THD, UHD	35911	8-37T	4.63	2.62-26	N	KIT 2393	Repl. by A-40172-1
A-35910-6	R162, R163	36383	8-37T	4.63	2.62-26	N	KIT 2393	No Longer Avail.
A-35910-7	R155, SHR	37977	8-37T	4.63	2-39		KIT 2393	No Longer Avail.
A-35910-8	R155, SHR	37977	8-37T	4.63	2-39	N	KIT 2393	No Longer Avail.
A-35910-9	SHD w/Pump	38167	8-37T	4.63	2.62-26		KIT 2393	No Longer Avail.
A-35910	SHD, THD, UHD	35911	8-37T	4.63	2.62-26		KIT 2393	Repl. by A-40172-1
A-35912-1	R162, R163	36121	7-37T	5.29	2.62-26		KIT 2393	No Longer Avail.
A-35912-10	SHD w/Pump	38157	7-37T	5.29	2.62-26	N	KIT 2393	Repl. by A-40178-3
A-35912-11	R155 Type (RH), SHR	37857	7-37T	5.29	2-39	BR, N, R, W	KIT 2393	Use A-40178-5
A-35912-2	PROJ 12118	36333	7-37T	5.29	1.96-10		KIT 2393	No Longer Avail.
A-35912-3	SHD, THD, UHD	35913	7-37T	5.29	2.62-26	N	KIT 2393	Repl. by A-40178-1
A-35912-4	PROJ 12118	36333	7-37T	5.29	1.96-10	BR, N, R, W	KIT 2393	
A-35912-5	SHD, THD, UHD	35913	7-37T	5.29	2.62-26	N	KIT 2393	Repl. by A-40178-1

HARDWARE KEY

B - Bolt or Capscrew **BN** - Button **BR** - Bearing or Bearing Race **MN** - Metric Nut
N - Nut **Q** - Quill **R** - Retainer **RV** - Rivet
S - Shim **SG** - Spur Gear **SR** - Snap Ring or Lock Ring **W** - Washer

SPLINE SIZE KEY

T - Tapered **STR** - Straight

(1) Recommended fasteners, not included with gearset.

(gr) Ring gear

GEARSETS BY PART NUMBER

Gearset	Model	Pinion	Tooth Count	Ratio	Spline Size	Hardware Included	Gear to Case Fastener (1)	Remarks
A-35912-6	PROJ 12118	36333	7-37T	5.29	1.96-10	N	KIT 2393	No Longer Avail.
A-35912-7	R155 Type (RH), SHR	37857	7-37T	5.29	2-39		KIT 2393	Use A-40178-5
A-35912-8	R155 Type (RH), SHR	37857	7-37T	5.29	2-39	N	KIT 2393	Repl. by A-40178-5
A-35912-9	SHD w/Pump	38157	7-37T	5.29	2.62-26		KIT 2393	No Longer Avail.
A-35912	SHD, THD, UHD	35913	7-37T	5.29	2.62-26		KIT 2393	Use A-40178-1
A-35914-1	R155 Type (RH)	3890M403	7-43T	6.14	1.96-10		KIT 2393	No Longer Avail.
A-35914-2	SHD, THD, UHD	35915	7-43T	6.14	2.62-26	N	KIT 2393	Repl. by A-40182-1
A-35914-3	R155 Type (RH)	3890M403	7-43T	6.14	1.96-10	BR, N, R, W	KIT 2393	Repl. by A-40182-7
A-35914-4	SHD, THD, UHD	35915	7-43T	6.14	2.62-26	N	KIT 2393	Repl. by A-40182-1
A-35914-5	R155 Type (RH)	37855	7-43T	6.14	2-39		KIT 2393	Use A-40182-3
A-35914-6	R155 Type (RH)	37855	7-43T	6.14	2-39	N	KIT 2393	Repl. by A-40182-3
A-35914-7	R155 Type (RH)	3890M403	7-43T	6.14	1.96-10	N	KIT 2393	Use A-40182-5
A-35914-8	SHD w/Pump	38169	7-43T	6.14	2.62-26		KIT 2393	Use A-40182-9
A-35914	SHD, THD, UHD	35915	7-43T	6.14	2.62-26		KIT 2393	Use A-40182-1
A-35916-1	R155 Type (RH)	3890Q407	6-37T	6.17	1.96-10		KIT 2393	No Longer Avail.
A-35916-10	R155, SHR	37853	6-37T	6.17	2-39	BR, N, R, W	KIT 2393	No Longer Avail.
A-35916-2	SHD, THD, UHD	35917	6-37T	6.17	2.62-26	N	KIT 2393	Repl. by A-40182-1
A-35916-3	R155 Type (RH)	3890Q407	6-37T	6.17	1.96-10	BR, N, R, W	KIT 2393	Repl. by A-40182-7
A-35916-4	SHD, THD, UHD	35917	6-37T	6.17	2.62-26	N	KIT 2393	Repl. by A-40182-1
A-35916-5	R155 Type (RH)	3890Q407	6-37T	6.17	1.96-10	N	KIT 2393	Repl. by A-40182-5
A-35916-6	R155 Type (RH)	37853	6-37T	6.17	2-39		KIT 2393	Use A-40182-3
A-35916-7	R155 Type (RH)	37853	6-37T	6.17	2-39	N	KIT 2393	Repl. by A-40182-3
A-35916-8	SHD w/Pump	38275	6-37T	6.17	2.62-26		KIT 2393	No Longer Avail.
A-35916-9	SHD w/Pump	38275	6-37T	6.17	2.62-26	N, BN	KIT 2393	Repl. by A-40182-9
A-35916	SHD, THD, UHD	35917	6-37T	6.17	2.62-26		KIT 2393	Use A-40182-1
A-35918-1	R155 Type (RH)	36581	6-41T	6.83	1.96-10		KIT 2393	No Longer Avail.
A-35918-2	SHD, THD, UHD	35919	6-41T	6.83	2.62-26	N	KIT 2393	Repl. by A-40306-1
A-35918-3	R155 Type (RH)	36581	6-41T	6.83	1.96-10	BR, N, R, W	KIT 2393	No Longer Avail.
A-35918-4	SHD, THD, UHD	35919	6-41T	6.83	2.62-26	N	KIT 2393	Repl. by A-40306-1
A-35918-5	R155 Type (RH)	37849	6-41T	6.83	2-39		KIT 2393	Use A-40306-5
A-35918-6	R155 Type (RH)	37849	6-41T	6.83	2-39	N	KIT 2393	Repl. by A-40306-5
A-35918-7	SHD w/Pump	38155	6-41T	6.83	2.62-26		KIT 2393	No Longer Avail.
A-35918-8	SHD w/Pump	38155	6-41T	6.83	2.62-26	N, BN	KIT 2393	Repl. by A-40306-3
A-35918-9	R155 Type (RH)	37849	6-41T	6.83	2-39	BR, N, R, W	KIT 2393	Repl. by A-40306-8
A-35918	SHD, THD, UHD	35919	6-41T	6.83	2.62-26		KIT 2393	Use A-40306-1
A-35920-1	R155 Type (RH)	36657	5-37T	7.40	1.96-10		KIT 2393	No Longer Avail.
A-35920-10	R155 Type (RH)	37851	5-37T	7.40	2-39	BR, N, R, W	KIT 2393	No Longer Avail.
A-35920-2	SHD, THD, UHD	35921	5-37T	7.40	2.62-26	N	KIT 2393	Repl. by A-40502-1
A-35920-3	R155 Type (RH)	36657	5-37T	7.40	1.96-10	BR, N, R, W	KIT 2393	No Longer Avail.
A-35920-4	SHD, THD, UHD	35921	5-37T	7.40	2.62-26	N	KIT 2393	Repl. by A-40502-1
A-35920-5	R155 Type (RH)	37851	5-37T	7.40	2-39		KIT 2393	No Longer Avail.
A-35920-6	R155 Type (RH)	37851	5-37T	7.40	2-39	N	KIT 2393	No Longer Avail.
A-35920-7	SHD w/Pump	38177	5-37T	7.40	2.62-26		KIT 2393	Use A-40502-3
A-35920-8	SHD w/Pump	38177	5-37T	7.40	2.62-26	N	KIT 2393	Repl. by A-40502-3
A-35920-9	R155 Type (RH)	36657	5-37T	7.40	1.96-10	N	KIT 2393	No Longer Avail.
A-35920	SHD, THD, UHD	35921	5-37T	7.40	2.62-26		KIT 2393	Use A-40502-1
A-35922-1	R155, SHR	35311	6-41T	6.83	1.96-10	N	KIT 2393	No Longer Avail.
A-35922	R155, SHR	35311	6-41T	6.83	1.96-10		KIT 2393	No Longer Avail.
A-35924-1	R155, SHR	35317	5-37T	7.40	1.96-10	N	KIT 2393	Repl. by A-40682-5
A-35924	R155, SHR	35317	5-37T	7.40	1.96-10		KIT 2393	Use A-40682-5
A-35926-1	UDR	37887	14-33T		2-39			3200-L-1234 Carrier

HARDWARE KEY

B - Bolt or Capscrew **BN** - Button **BR** - Bearing or Bearing Race **MN** - Metric Nut
N - Nut **Q** - Quill **R** - Retainer **RV** - Rivet
S - Shim **SG** - Spur Gear **SR** - Snap Ring or Lock Ring **W** - Washer

SPLINE SIZE KEY

T - Tapered **STR** - Straight

(1) Recommended fasteners, not included with gearset.

(gr) Ring gear

GEARSETS BY PART NUMBER

Gearset	Model	Pinion	Tooth Count	Ratio	Spline Size	Hardware Included	Gear to Case Fastener (1)	Remarks
A-35926	UDR	35927	14-33T		1.96-10			No Longer Avail.
A-35928-1	R155, SHR	35445	7-43T	6.14	1.96-10	W	KIT 2393	Use A-40678-3
A-35928-3	R155, SHR	35445	7-43T	6.14	1.96-10	N	KIT 2393	No Longer Avail.
A-35928	R155, SHR	35445	7-43T	6.14	1.96-10		KIT 2393	No Longer Avail.
A-35930-1	R155, SHR	35313	7-37T	5.29	1.96-10	N	KIT 2393	Repl. by A-40674-6
A-35930	R155, SHR	35313	7-37T	5.29	1.96-10		KIT 2393	Use A-40674-6
A-35932-1	R155, SHR	35933	9-39T	4.33	1.96-10		KIT 2393	No Longer Avail.
A-35932-2	R155, SHR	35933	9-39T	4.33	1.96-10	BR, N, R, W	KIT 2393	Use A-40542-3
A-35932-3	R155, SHR	35933	9-39T	4.33	1.96-10	BR, N, R, W	KIT 2393	Use A-40542-3
A-35932-4	R155, SHR	37841	9-39T	4.33	2-39		KIT 2393	Use A-40542-1
A-35932-5	R155, SHR	37841	9-39T	4.33	2-39	N	KIT 2393	Repl. by A-40542-1
A-35932-6	R155, SHR	37841	9-39T	4.33	2-39	BR, N, R, W	KIT 2393	Use A-40542-1
A-35932	R155, SHR	35933	9-39T	4.33	1.96-10	N	KIT 2393	No Longer Avail.
A-35936	59630	35937	9-33T	4.56	2.50-16	N, W	KIT 2464	
A-35948	R170, S170, U170, W170	35949	7-43T	6.14	2.25-10	N	KIT 944	
A-35950	R170, S170, U170, W170	35951	8-37T	4.63	2.25-10	N	KIT 944	Repl. by A-35970
A-35952	R170, S170, U170, W170	35953	9-39T	4.33	2.25-10	N	KIT 944	
A-35954-1	R170, S170, U170, W170	35955	10-37T	3.70	2.25-10		KIT 944	Use A-35954
A-35954-2	PROJ 69-1901	37121X	10-37T	3.70	2.25-10		KIT 944	No Longer Avail.
A-35954-3	R170, S170, U170, W170	35955	10-37T	3.70	2.25-10	BR	KIT 944	Use A-35954
A-35954-7	R170, S170, U170, W170	35955	10-37T	3.70	2.25-10	BR, N, W	KIT 944	
A-35954	R170, S170, U170, W170	35955	10-37T	3.70	2.25-10	N	KIT 944	
A-35956-1	H162, L145	36545	9-40T	4.44	1.75-10		KIT 570	
A-35956-2	H162, L145	36099	9-40T	4.44	1.75-10		KIT 570	Use A-35956-4
A-35956-3	H162, L145	36099	9-40T	4.44	1.75-10	BR, SR	KIT 570	Use A-35956-4
A-35956-4	H162, L145	36545	9-40T	4.44	1.75-10	BR, N, SR	KIT 570	
A-35956-5	H162, L145	36099	9-40T	4.44	1.75-10	B, N	KIT 570	Use A-35956-4
A-35956-6	H162, L145	36545	9-40T	4.44	1.75-10	N	KIT 570	
A-35956	H162, L145	35957	9-40T	4.44	1.75-10		KIT 570	Use A-35956-4
A-35958-1	H162, L145	36537	6-39T	6.50	1.75-10		KIT 570	No Longer Avail.
A-35958-2	H162, L145	36537	6-39T	6.50	1.75-10	BR, N, SR	KIT 570	No Longer Avail.
A-35958-3	H162, L145	36537	6-39T	6.50	1.75-10	N	KIT 570	No Longer Avail.
A-35958	H162, L145	35959	6-39T	6.50	1.75-10		KIT 570	Repl. by A-35958-2
A-35960	59630	35961	10-41T	4.10	2.50-16	N, W	KIT 2464	
A-35962-1	B140	35963	8-35T	4.38	1.25-10	N	KIT 947	No Longer Avail.
A-35962	B140	35963	8-35T	4.38	1.25-10		KIT 947	No Longer Avail.
A-35966-1	HHD, HHF, JHD	35995	5-41T	8.20	2-21		KIT 947	Repl. by A-35966-9
A-35966-10	H140, HHR, JHR	36875	5-41T	8.20	1.62-10	N	KIT 947	No Longer Avail.
A-35966-11	HHD, HHF, JHD	36873	5-41T	8.20	2-21	N	KIT 947	
A-35966-2	H140, HHR, JHR	35967	5-41T	8.20	1.62-10	BR, SR, W	KIT 947	Repl. by A-35966-6
A-35966-3	H140, HHR, JHR	36225	5-41T	8.20	1.62-10		KIT 947	Use A-35966-10
A-35966-4	H140, HHR, JHR	36875	5-41T	8.20	1.62-10		KIT 947	No Longer Avail.
A-35966-5	HHD, HHF, JHD	36873	5-41T	8.20	2-21		KIT 947	No Longer Avail.
A-35966-6	H140, HHR, JHR	36875	5-41T	8.20	1.62-10	BR, N, SR	KIT 947	No Longer Avail.

HARDWARE KEY

B - Bolt or Capscrew **BN** - Button **BR** - Bearing or Bearing Race **MN** - Metric Nut
N - Nut **Q** - Quill **R** - Retainer **RV** - Rivet
S - Shim **SG** - Spur Gear **SR** - Snap Ring or Lock Ring **W** - Washer

SPLINE SIZE KEY

T - Tapered **STR** - Straight

(1) Recommended fasteners, not included with gearset.

(gr) Ring gear

GEARSETS BY PART NUMBER

Gearset	Model	Pinion	Tooth Count	Ratio	Spline Size	Hardware Included	Gear to Case Fastener (1)	Remarks
A-35966-7	HHH, HHF, JHD	36873	5-41T	8.20	2-21	BR, SR	KIT 947	No Longer Avail.
A-35966-9	HHH, HHF, JHD	36873	5-41T	8.20	2-21	BR, N, SR	KIT 947	
A-35966	H140, HHR, JHR	35967	5-41T	8.20	1.62-10		KIT 947	Repl. by A-35966-6
A-35968-1	R170, S170, U170, W170	35949	7-43T	6.14	2.25-10		KIT 944	Repl. by A-35968
A-35968-2	R170, S170, U170, W170	36917X	7-43T	6.14	2.25-10	N	KIT 944	
A-35968-3	R170, S170, U170, W170	36917X	7-43T	6.14	2.25-10		KIT 944	
A-35968	R170, S170, U170, W170	35949	7-43T	6.14	2.25-10	N	KIT 944	
A-35970-1	R170, S170, U170, W170	35951	8-37T	4.63	2.25-10		KIT 944	No Longer Avail.
A-35970	R170, S170, U170, W170	35951	8-37T	4.63	2.25-10	N	KIT 944	No Longer Avail.
A-35972-1	R170, S170, U170, W170	35953	9-39T	4.33	2.25-10		KIT 944	Repl. by A-35972
A-35972-2	PROJ 13953B	37111X	9-39T	4.33	2.75-54	N	KIT 947	No Longer Avail.
A-35972-3	PROJ 13953B	37111X	9-39T	4.33	2.75-54		KIT 947	No Longer Avail.
A-35972-4	PROJ 69-1901	37201X	9-39T	4.33	2.25-10		KIT 944	No Longer Avail.
A-35972	R170, S170, U170, W170	35953	9-39T	4.33	2.25-10	N	KIT 944	
A-35976-1	58863	35977	8-35T	4.38	2.50-16			Use A-38270-1
A-35976	58863	35977	8-35T	4.38	2.50-16	N, W		Repl. by A-38270-1
A-35978-1	R170, S170, U170, W170	35979	9-37T	4.11	2.25-10		KIT 944	No Longer Avail.
A-35978-3	R170, S170, U170, W170	37813X	9-37T	4.11	2.25-10	BR, N, W	KIT 944	
A-35978-4	R170, S170, U170, W170	35979	9-37T	4.11	2.25-10	BR, N, SR	KIT 944	No Longer Avail.
A-35978-7	R170, S170, U170, W170	35979	9-37T	4.11	2.25-10	BR, N	KIT 944	No Longer Avail.
A-35978	R170, S170, U170, W170	35979	9-37T	4.11	2.25-10	N	KIT 944	No Longer Avail.
A-35998-1	B140	35999	6-37T	6.17	1.25-10	N	KIT 947	No Longer Avail.
A-35998	B140	35999	6-37T	6.17	1.25-10		KIT 947	No Longer Avail.
A-36028-1	L100, LHR, QHR	36031	11-39T	3.55	1.75-10	N	KIT 570	Use A-36028-13
A-36028-10	LHD, QHD	36483	11-39T	3.55	2-21	N, W	KIT 570	No Longer Avail.
A-36028-11	L100, LHR, QHR	36491	11-39T	3.55	1.75-10	N	KIT 570	No Longer Avail.
A-36028-12	LHD, QHD	36483	11-39T	3.55	2-21	BR, N, SR, W	KIT 570	Repl. by A-36028-22
A-36028-13	L100, LHR, QHR	36491	11-39T	3.55	1.75-10	BR, N, SR	KIT 570	No Longer Avail.
A-36028-14	LHD, QHD	36483	11-39T	3.55	2-21	BR, N, SR	KIT 570	Repl. by A-36028-22
A-36028-15	L100, LHR, QHR	36491	11-39T	3.55	1.75-10	BR, N, SR	KIT 570	Repl. by A-36028-13
A-36028-16	LHD, QHD	36483	11-39T	3.55	2-21		KIT 570	Use A-36028-21
A-36028-17	LHD, QHD	36483	11-39T	3.55	2-21	N, W	KIT 570	Repl. by A-36028-21
A-36028-18	L100, LHR, QHR	36491	11-39T	3.55	1.75-10	N	KIT 570	No Longer Avail.
A-36028-19	LHD, QHD	39233	11-39T	3.55	2-39		KIT 570	No Longer Avail.
A-36028-2	LHD, QHD	36029	11-39T	3.55	2-21	BR, SR, W	KIT 570	Use A-36028-22
A-36028-20	LHD, QHD	39233	11-39T	3.55	2-39	N, W	KIT 570	No Longer Avail.
A-36028-21	LHD, QHD	39233	11-39T	3.55	2-39	N, SG, W	KIT 570	No Longer Avail.
A-36028-22	LHD, QHD	39233	11-39T	3.55	2-39	BR, N, SG, W, SR	KIT 570	No Longer Avail.

HARDWARE KEY

B - Bolt or Capscrew **BN** - Button **BR** - Bearing or Bearing Race **MN** - Metric Nut
N - Nut **Q** - Quill **R** - Retainer **RV** - Rivet
S - Shim **SG** - Spur Gear **SR** - Snap Ring or Lock Ring **W** - Washer

SPLINE SIZE KEY

T - Tapered **STR** - Straight

(1) Recommended fasteners, not included with gearset.

(gr) Ring gear

GEARSETS BY PART NUMBER

Gearset	Model	Pinion	Tooth Count	Ratio	Spline Size	Hardware Included	Gear to Case Fastener (1)	Remarks
A-36028-23	LHD, QHD	39233	11-39T	3.55	2-39	BR, N, SR, W	KIT 570	No Longer Avail.
A-36028-3	L100, LHR, QHR	36031	11-39T	3.55	1.75-10	BR, SR, W	KIT 570	Repl. by A-36028-13
A-36028-4	LHD, QHD	36029	11-39T	3.55	2-21		KIT 570	Use A-36028-21
A-36028-5	L100, LHR, QHR	36031	11-39T	3.55	1.75-10		KIT 570	
A-36028-7	PROJ 13049E	36745X	11-39T	3.55	2.12-22		KIT 570	No Longer Avail.
A-36028-8	LHD, QHD	36483	11-39T	3.55	2-21	N, W	KIT 570	Repl. by A-36028-21
A-36028	LHD, QHD	36029	11-39T	3.55	2-21	N	KIT 570	Use A-36028-22
A-36036-1	R170, S170, U170, W170	36037	7-37T	5.29	2.25-10		KIT 944	
A-36036-2	R170, S170, U170, W170	36869X	7-37T	5.29	2.25-10	N	KIT 944	
A-36036-3	R170, S170, U170, W170	36869X	7-37T	5.29	2.25-10		KIT 944	
A-36036-4	R170, S170, U170, W170	36037	7-37T	5.29	2.25-10	BR	KIT 944	Use A-36036
A-36036-5	R172	38655	7-37T	5.29	2.25-10		KIT 944	
A-36036	R170, S170, U170, W170	36037	7-37T	5.29	2.25-10	N	KIT 944	
A-36038-1	D100, DHR	36419	8-37T	4.63	1.38-10	N	KIT 947	No Longer Avail.
A-36038-2	D100, DHR	36419	8-37T	4.63	1.38-10	BR, N, W	KIT 947	No Longer Avail.
A-36038	D100, DHR	36419	8-37T	4.63	1.38-10		KIT 947	No Longer Avail.
A-36044-1	H172, H173, L172, L173	37963	5-41T	8.20	1.75-34	BR	KIT 570	Use A-36044-7
A-36044-2	H172, H173, L172, L173	37963	5-41T	8.20	1.75-34		KIT 570	Use A-36044-6
A-36044-3	H172, H173, L172, L173	37963	5-41T	8.20	1.75-34	N	KIT 570	Use A-36044-6
A-36044-5	H172, H173, L172, L173	38227	5-41T	8.20	1.75-34		KIT 570	
A-36044-6	H172, H173, L172, L173	38227	5-41T	8.20	1.75-34	N, SR	KIT 570	
A-36044-7	H172, H173, L172, L173	38227	5-41T	8.20	1.75-34	BR, SR, W	KIT 570	
A-36044	H172, H173, L172, L173	37963	5-41T	8.20	1.75-34		KIT 570	Use A-36044-6
A-36054-1	R170, S170, U170, W170	36055	7-41T	5.86	2.25-10		KIT 944	No Longer Avail.
A-36054-2	R170, S170, U170, W170	36871X	7-41T	5.86	2.25-10	N	KIT 944	
A-36054-3	R170, S170, U170, W170	36871X	7-41T	5.86	2.25-10		KIT 944	
A-36054	R170, S170, U170, W170	36055	7-41T	5.86	2.25-10	N	KIT 944	No Longer Avail.
A-36058-1	59610	36059	8-33T	4.13	2.50-16	N	KIT 2464	No Longer Avail.
A-36058	59610	36059	8-33T	4.13	2.50-16		KIT 2464	No Longer Avail.
A-36060-1	PR700	36061	8-37T	4.63	2.38-24	BR, N, R, W	KIT 945	No Longer Avail.
A-36060	PR700	36061	8-37T	4.63	2.38-24		KIT 945	No Longer Avail.
A-36088-1	Q100, Q145	36089	10-37T	3.70	1.88-10	BR, N, SR	KIT 570	No Longer Avail.
A-36088-3	Q100, Q145	36089	10-37T	3.70	1.88-10	N	KIT 570	No Longer Avail.
A-36088	Q100, Q145	36089	10-37T	3.70	1.88-10		KIT 570	No Longer Avail.
A-36100-1	R170, S170, U170, W170	36101	5-37T	7.40	2.25-10		KIT 944	

HARDWARE KEY

B - Bolt or Capscrew **BN** - Button **BR** - Bearing or Bearing Race **MN** - Metric Nut
N - Nut **Q** - Quill **R** - Retainer **RV** - Rivet
S - Shim **SG** - Spur Gear **SR** - Snap Ring or Lock Ring **W** - Washer

SPLINE SIZE KEY

T - Tapered **STR** - Straight

(1) Recommended fasteners, not included with gearset.

(gr) Ring gear

GEARSETS BY PART NUMBER

Gearset	Model	Pinion	Tooth Count	Ratio	Spline Size	Hardware Included	Gear to Case Fastener (1)	Remarks
A-36100-2	PROJ 69-1901	37127X	5-37T	7.40	2.25-10		KIT 944	No Longer Avail.
A-36100-3	R170, S170, U170, W170	38553	5-37T	7.40	2.25-10		KIT 944	No Longer Avail.
A-36100-4	R170, S170, U170, W170	38553	5-37T	7.40	2.25-10	N	KIT 944	No Longer Avail.
A-36100-7	R170, S170, U170, W170	36101	5-37T	7.40	2.25-10	BR, N, SR	KIT 944	
A-36100	R170, S170, U170, W170	36101	5-37T	7.40	2.25-10	N	KIT 944	
A-36102-1	R170, S170, U170, W170	36103	6-41T	6.83	2.25-10		KIT 944	No Longer Avail.
A-36102-2	R170, S170, U170, W170	36867X	6-41T	6.83	2.25-10	N	KIT 944	
A-36102-3	R170, S170, U170, W170	36867X	6-41T	6.83	2.25-10		KIT 944	
A-36102	R170, S170, U170, W170	36103	6-41T	6.83	2.25-10	N	KIT 944	No Longer Avail.
A-36114-1	C100	36115	6-35T	5.83	1.38-10	N	KIT 946	No Longer Avail.
A-36114	C100	36115	6-35T	5.83	1.38-10		KIT 946	No Longer Avail.
A-36118-1	C100	36119	9-39T	4.33	1.38-10	BR, N, W	KIT 946	
A-36118-2	C100	36119	9-39T	4.33	1.38-10	N	KIT 946	
A-36118	C100	36119	9-39T	4.33	1.38-10		KIT 946	Use A-36118-2
A-36134-1	R170, S170, U170, W170	36135	8-39T	4.88	2.25-10		KIT 944	No Longer Avail.
A-36134-2	R170, S170, U170, W170	36135	8-39T	4.88	2.25-10	BR, W	KIT 944	
A-36134	R170, S170, U170, W170	36135	8-39T	4.88	2.25-10	N	KIT 944	No Longer Avail.
A-36150-1	59690	36161	10-37T	3.70	2.50-16		KIT 947	No Longer Avail.
A-36150	59690	36161	10-37T	3.70	2.50-16	N	KIT 947	No Longer Avail.
A-36162-1	F Series	36163	6-35T	5.83	1.50-10	BR, N, SR	KIT 947	
A-36162-2	F Series	36163	6-35T	5.83	1.50-10	N	KIT 947	
A-36162-3	FHD, FHF	37343	6-35T	5.83	1.75-19		KIT 947	No Longer Avail.
A-36162-4	FHD, FHF	37343	6-35T	5.83	1.75-19	N	KIT 947	No Longer Avail.
A-36162	F Series	36163	6-35T	5.83	1.50-10		KIT 947	
A-36222-1	H143	12H1199	10-37T	3.70			KIT 947	
A-36222-10	H140 TYPE	39417X	10-37T	3.70	1.75-34	BR, N, SR	KIT 947	No Longer Avail.
A-36222-2	HHH, HHF, JHD	37467	10-37T	3.70	2-21		KIT 947	No Longer Avail.
A-36222-3	H140, HHR, JHR	36223	10-37T	3.70	1.62-10	BR, N, SR	KIT 947	No Longer Avail.
A-36222-4	H140, HHR, JHR	36223	10-37T	3.70	1.62-10	N	KIT 947	Use A-36222-3
A-36222-5	HHH, HHF, JHD	37467	10-37T	3.70	2-21	N	KIT 947	Use A-36222-6
A-36222-6	HHH, HHF, JHD	37467	10-37T	3.70	2-21	BR, N, SR	KIT 947	No Longer Avail.
A-36222-7	H140, HHR, JHR	36925	10-37T	3.70	1.62-10		KIT 947	
A-36222-8	H140, HHR, JHR	36925	10-37T	3.70	1.62-10	BR, N, SR	KIT 947	
A-36222-9	H140, HHR, JHR	39417X	10-37T	3.70	1.75-34		KIT 947	No Longer Avail.
A-36222	H140, HHR, JHR	36223	10-37T	3.70	1.62-10		KIT 947	No Longer Avail.
A-36256-1	R155 Type (RH)	37643	11-37T	3.36	1.96-10		KIT 948	No Longer Avail.
A-36256-2	R162, R163	36257	11-37T	3.36	2.62-26		KIT 948	Use A-40158-3
A-36256-3	R155 Type (RH)	37643	11-37T	3.36	1.96-10	BR, N, R, W	KIT 948	No Longer Avail.
A-36256-4	R162, R163	36257	11-37T	3.36	2.62-26	N	KIT 948	Repl. by A-40158-3
A-36256-5	R155, SHR	37981	11-37T	3.36	2-39		KIT 948	Use A-40158-1

HARDWARE KEY

B - Bolt or Capscrew **BN** - Button **BR** - Bearing or Bearing Race **MN** - Metric Nut
N - Nut **Q** - Quill **R** - Retainer **RV** - Rivet
S - Shim **SG** - Spur Gear **SR** - Snap Ring or Lock Ring **W** - Washer

SPLINE SIZE KEY

T - Tapered **STR** - Straight

(1) Recommended fasteners, not included with gearset.

(gr) Ring gear

GEARSETS BY PART NUMBER

Gearset	Model	Pinion	Tooth Count	Ratio	Spline Size	Hardware Included	Gear to Case Fastener (1)	Remarks
A-36256-6	R155, SHR	37981	11-37T	3.36	2-39	N	KIT 948	Repl. by A-40158-1
A-36256-7	R155, SHR	37981	11-37T	3.36	2-39	BR, N, R, W	KIT 948	Use A-40158-1
A-36256	R162, R163	36257	11-37T	3.36	2.62-26	N	KIT 948	Repl. by A-40158-3
A-36302	59017	33957	8-49T	6.13	1.89T			No Longer Avail.
A-36352-2	C100	36353	9-37T	4.11	1.38-10	BR, N, W	KIT 946	
A-36352-3	C100	36353	9-37T	4.11	1.38-10	N	KIT 946	
A-36352	C100	36353	9-37T	4.11	1.38-10		KIT 946	
A-36380-1	R155 Type (RH)	38459	6-35T	5.83	1.96-10	N	KIT 2393	No Longer Avail.
A-36380	R155 Type (RH)	38459	6-35T	5.83	1.96-10		KIT 2393	No Longer Avail.
A-36400-1	H262, L240	36401	9-35T		1.75-10			No Longer Avail.
A-36400	H262, L240	36401	9-35T		1.75-10	N		No Longer Avail.
A-36442	R314	36443	16-31T		1.75-10			
A-36446-1	L100, LHR, QHR	36447	8-39T	4.88	1.75-10		KIT 570	
A-36446-10	LHD, QHD	36479	8-39T	4.88	2-21		KIT 570	Use A-36446-16
A-36446-11	LHD, QHD	36479	8-39T	4.88	2-21		KIT 570	Use A-36446-16
A-36446-12	LHD, QHD	36479	8-39T	4.88	2-21	N, W	KIT 570	Use A-36446-16
A-36446-13	L100, LHR, QHR	36487	8-39T	4.88	1.75-10	N	KIT 570	No Longer Avail.
A-36446-14	LHD, QHD	39251	8-39T	4.88	2-39		KIT 570	No Longer Avail.
A-36446-15	LHD, QHD	39251	8-39T	4.88	2-39	N, W	KIT 570	No Longer Avail.
A-36446-16	LHD, QHD	39251	8-39T	4.88	2-39	N, SG, W	KIT 570	No Longer Avail.
A-36446-17	LHD, QHD	39251	8-39T	4.88	2-39	BR, N, SG, W	KIT 570	No Longer Avail.
A-36446-18	LHD, QHD	39251	8-39T	4.88	2-39	BR, N, SR, W	KIT 570	No Longer Avail.
A-36446-2	LHD, QHD	36449	8-39T	4.88	2-21	BR, SR	KIT 570	Use A-36446-17
A-36446-3	L100, LHR, QHR	36447	8-39T	4.88	1.75-10	BR, SR	KIT 570	Use A-36446-13
A-36446-4	LHD, QHD	36479	8-39T	4.88	2-21	N, W	KIT 570	Use A-36446-16
A-36446-5	L100, LHR, QHR	36487	8-39T	4.88	1.75-10		KIT 570	No Longer Avail.
A-36446-6	LHD, QHD	36479	8-39T	4.88	2-21		KIT 570	Use A-36446-16
A-36446-7	LHD, QHD	36479	8-39T	4.88	2-21	BR, N, SR, W	KIT 570	Repl. by A-36446-17
A-36446-8	L100, LHR, QHR	36513	8-39T	4.88	1.75-10		KIT 570	No Longer Avail.
A-36446	LHD, QHD	36449	8-39T	4.88	2-21		KIT 570	Use A-36446-16
A-36474-1	Q145, QT143	36475	8-39T	4.88	1.62-10	BR, N, SR	KIT 570	
A-36474-3	Q145, QT143	36475	8-39T	4.88	1.62-10	N	KIT 570	
A-36474	Q145, QT143	36475	8-39T	4.88	1.62-10		KIT 570	
A-36612-1	H162, L145	36773	8-37T	4.63	1.75-10		KIT 570	
A-36612-10	H172, H173, L172, L173	38215	8-37T	4.63	1.75-34	BR, N, SR	KIT 570	Repl. by A-36612-9
A-36612-11	H172, H173, L172, L173	38215	8-37T	4.63	1.75-34	BR, N, SR	KIT 570	Repl. by A-36612-9
A-36612-2	H162, L145	36773	8-37T	4.63	1.75-10	BR, N, SR	KIT 570	
A-36612-3	H162, L145	36773	8-37T	4.63	1.75-10	N	KIT 570	
A-36612-4	H172, H173, L172, L173	37957	8-37T	4.63	1.75-34		KIT 570	Repl. by A-36612-9
A-36612-5	H172, H173, L172, L173	37957	8-37T	4.63	1.75-34	BR	KIT 570	Repl. by A-36612-9
A-36612-6	H172, H173, L172, L173	37957	8-37T	4.63	1.75-34	N	KIT 570	Repl. by A-36612-9
A-36612-7	H172, H173, L172, L173	38215	8-37T	4.63	1.75-34		KIT 570	Use A-36612-9
A-36612-9	H172, H173, L172, L173	38215	8-37T	4.63	1.75-34	BR, N, SR	KIT 570	
A-36636-1	Q145	36763	6-37T	6.17	1.62-10		KIT 570	No Longer Avail.

HARDWARE KEY

B - Bolt or Capscrew **BN** - Button **BR** - Bearing or Bearing Race **MN** - Metric Nut
N - Nut **Q** - Quill **R** - Retainer **RV** - Rivet
S - Shim **SG** - Spur Gear **SR** - Snap Ring or Lock Ring **W** - Washer

SPLINE SIZE KEY

T - Tapered **STR** - Straight

(1) Recommended fasteners, not included with gearset.

(gr) Ring gear

GEARSETS BY PART NUMBER

Gearset	Model	Pinion	Tooth Count	Ratio	Spline Size	Hardware Included	Gear to Case Fastener (1)	Remarks
A-36636-2	Q145	36763	6-37T	6.17	1.62-10	BR, N, SR	KIT 570	No Longer Avail.
A-36636-3	Q135	36637	6-37T	6.17	2-10	N	KIT 570	Repl. by A-36636-5
A-36636-4	Q145	36763	6-37T	6.17	1.62-10	N	KIT 570	No Longer Avail.
A-36636-5	Q135	36637	6-37T	6.17	2-10	N	KIT 570	No Longer Avail.
A-36636	Q135	36637	6-37T	6.17	2-10		KIT 570	No Longer Avail.
A-36646	PROJ 12603	36647	19-25T		1.38-10			No Longer Avail.
A-36684-1	SHD, THD, UHD	37087	9-44T	4.89	2.62-26		KIT 2393	Use A-40176-1
A-36684-2	SHD, THD, UHD	37087	9-44T	4.89	2.62-26	N	KIT 2393	Repl. by A-40176-1
A-36684-3	SHD, THD, UHD	37087	9-44T	4.89	2.62-26	N	KIT 2393	Repl. by A-40176-1
A-36684-4	R155 Type (RH)	38237	9-44T	4.89	1.96-10		KIT 2393	No Longer Avail.
A-36684-5	R155 Type (RH)	38237	9-44T	4.89	1.96-10	BR, N, R, W	KIT 2393	Repl. by A-40176-9
A-36684-6	R162, R163	36685	9-44T	4.89	2.62-26	N	KIT 2393	Repl. by A-40176-7
A-36684-7	R155 Type (RH)	39423	9-44T	4.89	2-39		KIT 2393	Repl. by A-40176-2
A-36684-8	R155 Type (RH)	39423	9-44T	4.89	2-39	BR, N, R, W	KIT 2393	Repl. by A-40176-8
A-36684	R162, R163	36685	9-44T	4.89	2.62-26		KIT 2393	No Longer Avail.
A-36722-1	L100, LHR, QHR	36723	9-39T	4.33	1.75-10	N	KIT 570	Repl. by A-36722-4
A-36722-10	L100, LHR, QHR	36805	9-39T	4.33	1.75-10	N	KIT 570	No Longer Avail.
A-36722-11	LHD, QHD	39241	9-39T	4.33	2-39		KIT 570	No Longer Avail.
A-36722-12	LHD, QHD	39241	9-39T	4.33	2-39	N, W	KIT 570	No Longer Avail.
A-36722-13	LHD, QHD	39241	9-39T	4.33	2-39	N, SG, W	KIT 570	
A-36722-14	LHD, QHD	39241	9-39T	4.33	2-39	BR, N, SG, SR, W	KIT 570	No Longer Avail.
A-36722-15	LHD, QHD	39241	9-39T	4.33	2-39	BR, N, SR	KIT 570	No Longer Avail.
A-36722-2	L100, LHR, QHR	36723	9-39T	4.33	1.75-10		KIT 570	Use A-36722-4
A-36722-3	LHD, QHD	36807	9-39T	4.33	2-21	N, W	KIT 570	Use A-36722-13
A-36722-4	L100, LHR, QHR	36805	9-39T	4.33	1.75-10		KIT 570	No Longer Avail.
A-36722-5	LHD, QHD	36807	9-39T	4.33	2-21	BR, N, SR	KIT 570	Use A-36722-14
A-36722-6	L100, LHR, QHR	36805	9-39T	4.33	1.75-10	BR, N, SR	KIT 570	No Longer Avail.
A-36722-7	LHD, QHD	36807	9-39T	4.33	2-21		KIT 570	Use A-36722-13
A-36722-8	L100, LHR, QHR	36805	9-39T	4.33	1.75-10		KIT 570	
A-36722-9	LHD, QHD	36807	9-39T	4.33	2-21	N, W	KIT 570	Use A-36722-13
A-36722	LHD, QHD	36725	9-39T	4.33	2-21		KIT 570	Repl. by A-36722-13
A-36736	PROJ 13168	36737	5-36T	7.20	1.50-11			No Longer Avail.
A-36738-1	PROJ 13168	36737	5-36T	7.20	1.50-11			No Longer Avail.
A-36738-2	PROJ 13168	36739	5-36T	7.20	1.50-11	N		No Longer Avail.
A-36738	PROJ 13168	36739	5-36T	7.20	1.50-11			No Longer Avail.
A-36750-1	QDD	36751	14-31T		2.62-10	Q		No Longer Avail.
A-36750-2	RDD, TDD	36749	14-31T			Q		
A-36750-3	RDF, RDR, TDF, TDR	36747	14-31T					
A-36750-4	TDD	37065	14-31T			Q		
A-36750-5	FM240	37519	14-31T		2-10			No Longer Avail.
A-36750-7	RDD, TDD	37989	14-31T			Q		No Longer Avail.
A-36750-8	RDF, RDR, TDF, TDR	37991	14-31T					
A-36750-9	QDF, QDR	36753	14-31T					No Longer Avail.
A-36750	QDF, QDR	36753	14-31T					Repl. by A-36750-9
A-36758-1	W220	36759	14-25T		2.25-10			No Longer Avail.
A-36758	W220	36759	14-25T		2.25-10	N		No Longer Avail.
A-36766-1	R170, S170, U170, W170	36767	12-41T	3.42	2.25-10		KIT 944	Repl. by A-36766
A-36766-5	R170, S170, U170, W170	36767	12-41T	3.42	2.25-10	BR, N, W	KIT 944	
A-36766	R170, S170, U170, W170	36767	12-41T	3.42	2.25-10	N	KIT 944	
A-36768-1	H162, L145	36769	5-39T	7.80	1.75-10	BR, N, SR	KIT 570	
A-36768-2	H162, L145	36769	5-39T	7.80	1.75-10	N	KIT 570	

HARDWARE KEY

B - Bolt or Capscrew **BN** - Button **BR** - Bearing or Bearing Race **MN** - Metric Nut
N - Nut **Q** - Quill **R** - Retainer **RV** - Rivet
S - Shim **SG** - Spur Gear **SR** - Snap Ring or Lock Ring **W** - Washer

SPLINE SIZE KEY

T - Tapered **STR** - Straight

(1) Recommended fasteners, not included with gearset.

(gr) Ring gear

GEARSETS BY PART NUMBER

Gearset	Model	Pinion	Tooth Count	Ratio	Spline Size	Hardware Included	Gear to Case Fastener (1)	Remarks
A-36768-3	H172, H173, L172, L173	37947	5-39T	7.80	1.75-34		KIT 570	Use A-36768-7
A-36768-4	H172, H173, L172, L173	37947	5-39T	7.80	1.75-34	BR	KIT 570	Use A-36768-7
A-36768-5	H172, H173, L172, L173	38225	5-39T	7.80	1.75-34	N	KIT 570	
A-36768-6	H172, H173, L172, L173	38225	5-39T	7.80	1.75-34		KIT 570	No Longer Avail.
A-36768-7	H172, H173, L172, L173	38225	5-39T	7.80	1.75-34	N, SR	KIT 570	No Longer Avail.
A-36768-8	T276, TA362	38225	5-39T	7.80	1.75-34	BR, N, SR	KIT 570	
A-36768	H162, L145	36769	5-39T	7.80	1.75-10		KIT 570	
A-36786-1	H162, L145	36787	5-37T	7.40	1.75-10	BR, N, SR	KIT 570	No Longer Avail.
A-36786-2	H162, L145	36787	5-37T	7.40	1.75-10	N	KIT 570	
A-36786	H162, L145	36787	5-37T	7.40	1.75-10		KIT 570	
A-36800	58822	36801	11-39T	3.55	2.50-16		KIT 2464	No Longer Avail.
A-36802-1	L100, LHR, QHR	36803	5-41T	8.20	1.75-10	N	KIT 570	No Longer Avail.
A-36802-2	LHD, QHD	37103	5-41T	8.20	2-21		KIT 570	No Longer Avail.
A-36802-3	LHD, QHD	37103	5-41T	8.20	2-21	BR, N, SR, W	KIT 570	
A-36802-4	LHD, QHD	37103	5-41T	8.20	2-21	N, W	KIT 570	No Longer Avail.
A-36802-5	L100, LHR, QHR	36803	5-41T	8.20	1.75-10	N	KIT 570	No Longer Avail.
A-36802	LHD, QHD	37103	5-41T	8.20	2-21	N, W	KIT 570	No Longer Avail.
A-36838-1	FDS1600	37081	5-36T	7.20	1.62-10		KIT 947	
A-36838-2	FDS1600	37081	5-36T	7.20	1.62-10	BR, N, SR	KIT 947	
A-36838-3	FDS1600	37081	5-36T	7.20	1.62-10	N	KIT 947	
A-36838	FDS1600	36839	5-36T	7.20	1.62-10		KIT 947	Repl. by A-36838-1
A-36912-1	Q135	37509X	7-41T	5.86	2-10		KIT 570	
A-36912-2	Q100, Q145	36913	7-41T	5.86	1.88-10	BR, N, SR	KIT 570	No Longer Avail.
A-36912-4	Q135	37509X	7-41T	5.86	2-10	N	KIT 570	
A-36912-5	Q100, Q145	36913	7-41T	5.86	1.88-10	N	KIT 570	
A-36912	Q100, Q145	36913	7-41T	5.86	1.88-10		KIT 570	
A-36940-1	PR700	36941	10-37T	3.70	2.37-24	SR, N, R, BR		No Longer Avail.
A-36940	PR700	36941	10-37T	3.70	2.37-24			No Longer Avail.
A-36948-1	FDS1600	37079	5-39T	7.80	1.62-10	BR, N, SR	KIT 947	
A-36948-2	FDS1600	37079	5-39T	7.80	1.62-10	N	KIT 947	
A-36948	FDS1600	37079	5-39T	7.80	1.62-10		KIT 947	
A-36950-1	H170	36951	6-43T	7.17	1.62-10	N	KIT 570	
A-36950-2	H170	36951	6-43T	7.17	1.62-10		KIT 570	No Longer Avail.
A-36950-3	H170	36951	6-43T	7.17	1.62-10	N	KIT 570	No Longer Avail.
A-36950	H170	36951	6-43T	7.17	1.62-10	BR	KIT 570	No Longer Avail.
A-36952-1	H170	36953	7-43T	6.14	1.62-10	N	KIT 570	
A-36952-2	H170	36953	7-43T	6.14	1.62-10		KIT 570	No Longer Avail.
A-36952-3	H170	36953	7-43T	6.14	1.62-10	N	KIT 570	No Longer Avail.
A-36952	H170	36953	7-43T	6.14	1.62-10	BR	KIT 570	No Longer Avail.
A-36964-1	FDS1600	37077	5-41T	8.20	1.62-10	BR, N, SR	KIT 947	
A-36964-2	FDS1600	37077	5-41T	8.20	1.62-10	N	KIT 947	
A-36964	FDS1600	37077	5-41T	8.20	1.62-10		KIT 947	
A-36966-1	FDS1600	37083	6-37T	6.17	1.62-10		KIT 947	Use A-36966-3
A-36966-2	FDS1600	37083	6-37T	6.17	1.62-10	BR, N, SR	KIT 947	
A-36966-3	FDS1600	37083	6-37T	6.17	1.62-10	N	KIT 947	
A-36966	FDS1600	36967	6-37T	6.17	1.62-10		KIT 947	Repl. by A-36966-1

HARDWARE KEY

B - Bolt or Capscrew **BN** - Button **BR** - Bearing or Bearing Race **MN** - Metric Nut
N - Nut **Q** - Quill **R** - Retainer **RV** - Rivet
S - Shim **SG** - Spur Gear **SR** - Snap Ring or Lock Ring **W** - Washer

SPLINE SIZE KEY

T - Tapered **STR** - Straight

(1) Recommended fasteners, not included with gearset.

(gr) Ring gear

GEARSETS BY PART NUMBER

Gearset	Model	Pinion	Tooth Count	Ratio	Spline Size	Hardware Included	Gear to Case Fastener (1)	Remarks
A-36968-1	FDS1600	37085	6-39T	6.50	1.62-10		KIT 947	
A-36968-2	FDS1600	37085	6-39T	6.50	1.62-10	BR, N, SR	KIT 947	
A-36968-3	FDS1600	37085	6-39T	6.50	1.62-10	N	KIT 947	
A-36968	FDS1600	36969	6-39T	6.50	1.62-10		KIT 947	Repl. by A-36968-1
A-36974-1	PR700	36975	7-43T	6.14	2.38-24	BR, N, R, W	KIT 945	No Longer Avail.
A-36974	PR700	36975	7-43T	6.14	2.38-24		KIT 945	No Longer Avail.
A-37006-1	FDS2100	37007	6-39T	6.50	1.96-10	N	KIT 2393	No Longer Avail.
A-37006	FDS2100	37007	6-39T	6.50	1.96-10		KIT 2393	No Longer Avail.
A-37014	H170	37015	7-43T	6.14	1.62-10			
A-37024-3	SR170, SR270, SU170, SU270, SW170, SW270	37769	10-37T	3.70	2.35-46		KIT 944	Use A-37024-8
A-37024-4	SR170, SR270, SU170, SU270, SW170, SW270	37769	10-37T	3.70	2.35-46	BR, W	KIT 944	Use A-37024-8
A-37024-5	SR170, SR270, SU170, SU270, SW170, SW270	37769	10-37T	3.70	2.35-46	N	KIT 944	Use A-37024-8
A-37024-6	RR270 w/Pump, UR270 w/Pump, WR270 w/Pump	38377	10-37T	3.70	2.35-46		KIT 944	No Longer Avail.
A-37024-7	RR270 w/Pump, UR270 w/Pump, WR270 w/Pump	38377	10-37T	3.70	2.35-46	N, BN	KIT 944	No Longer Avail.
A-37024-8	SR170, SR270, SU170, SU270, SW170, SW270	37769	10-37T	3.70	2.35-46	BR, N, W	KIT 944	
A-37026-1	SR170, SR270, SU170, SU270, SW170, SW270	37771	5-37T	7.40	2.35-46	N	KIT 944	No Longer Avail.
A-37026-2	RR270 w/Pump, UR270 w/Pump, WR270 w/Pump	38723	5-37T	7.40	2.35-46		KIT 944	No Longer Avail.
A-37026-3	RR270 w/Pump, UR270 w/Pump, WR270 w/Pump	38723	5-37T	7.40	2.35-46	N	KIT 944	No Longer Avail.
A-37026	SR170, SR270, SU170, SU270, SW170, SW270	37771	5-37T	7.40	2.35-46		KIT 944	No Longer Avail.
A-37030	W220	36759	14-25T		2.25-10	N		
A-37042-1	FM210	37097	5-31T	6.20	2-39			
A-37058-1	UDR	37995	17-33T		2-39	N		No Longer Avail.
A-37058	UDR	37995	17-33T		2-39			No Longer Avail.
A-37070-1	H170	37071	6-41T	6.83	1.62-10	N	KIT 570	
A-37070-2	H170	37071	6-41T	6.83	1.62-10		KIT 570	No Longer Avail.
A-37070-3	H170	37071	6-41T	6.83	1.62-10	N	KIT 570	No Longer Avail.
A-37070	H170	37071	6-41T	6.83	1.62-10	BR, N	KIT 570	No Longer Avail.
A-37072-1	H170	37073	7-41T	5.86	1.62-10	N	KIT 570	
A-37072-2	H170	37073	7-41T	5.86	1.62-10		KIT 570	No Longer Avail.
A-37072-3	H170	37073	7-41T	5.86	1.62-10	N	KIT 570	No Longer Avail.
A-37072	H170	37073	7-41T	5.86	1.62-10	BR, N	KIT 570	No Longer Avail.

HARDWARE KEY

B - Bolt or Capscrew **BN** - Button **BR** - Bearing or Bearing Race **MN** - Metric Nut
N - Nut **Q** - Quill **R** - Retainer **RV** - Rivet
S - Shim **SG** - Spur Gear **SR** - Snap Ring or Lock Ring **W** - Washer

SPLINE SIZE KEY

T - Tapered **STR** - Straight

(1) Recommended fasteners, not included with gearset.

(gr) Ring gear

GEARSETS BY PART NUMBER

Gearset	Model	Pinion	Tooth Count	Ratio	Spline Size	Hardware Included	Gear to Case Fastener (1)	Remarks
A-37088-1	FDS1600	37089	5-38T	7.60	1.62-10	BR, N, SR	KIT 947	No Longer Avail.
A-37088-2	FDS1600	37089	5-38T	7.60	1.62-10	N	KIT 947	No Longer Avail.
A-37088	FDS1600	37089	5-38T	7.60	1.62-10		KIT 947	No Longer Avail.
A-37090-1	FDS1600	37091	5-34T	6.80	1.62-10	BR, N, SR	KIT 947	
A-37090-2	FDS1600	37091	5-34T	6.80	1.62-10	N	KIT 947	
A-37090	FDS1600	37091	5-34T	6.80	1.62-10		KIT 947	
A-37118-1	PR700	37119	8-37T	4.63	2.38-24	BR, N, R, W	KIT 945	No Longer Avail.
A-37118	PR700	37119	8-37T	4.63	2.38-24		KIT 945	No Longer Avail.
A-37122-2	PR305, R140 Type	37123	6-41T	6.83	1.96-10	N	KIT 2393	No Longer Avail.
A-37122	PR305, R140 Type	37123	6-41T	6.83	1.96-10		KIT 2393	No Longer Avail.
A-37124-1	PROJ 13979	37125	12-41T	3.42	2.10-41	BR	KIT 570	No Longer Avail.
A-37124	PROJ 13979	37125	12-41T	3.42	2.10-41		KIT 570	No Longer Avail.
A-37130-1	PROJ 0423	37131	7-43T	6.14	2.38-24	BR, N, R, W		No Longer Avail.
A-37130	PROJ 0423	37131	7-43T	6.14	2.38-24			No Longer Avail.
A-37142-1	SR170, SR270, SU170, SU270, SW170, SW270	37651X	7-37T	5.29	2.35-46	BR, W	KIT 944	Use A-37142-4
A-37142-2	PROJ 13940	37143X	7-37T	5.29	2.35-46		KIT 944	No Longer Avail.
A-37142-3	SR170, SR270, SU170, SU270, SW170, SW270	37775	7-37T	5.29	2.35-46		KIT 944	Repl. by A-37142-4
A-37142-4	SR170, SR270, SU170, SU270, SW170, SW270	37775	7-37T	5.29	2.35-46	BR, N, W	KIT 944	
A-37142-5	SR170, SR270, SU170, SU270, SW170, SW270	37775	7-37T	5.29	2.35-46	N	KIT 944	Repl. by A-37142-4
A-37142-6	RR270 w/Pump, UR270 w/Pump, WR270 w/Pump	38719	7-37T	5.29	2.35-46		KIT 944	No Longer Avail.
A-37142-7	RR270 w/Pump, UR270 w/Pump, WR270 w/Pump	38719	7-37T	5.29	2.35-46	N	KIT 944	No Longer Avail.
A-37144-3	SR170, SR270, SU170, SU270, SW170, SW270	37777	9-39T	4.33	2.35-46		KIT 944	
A-37144-4	SR270, SR280, SU270, SU280, SW270, SW280	37777	9-39T	4.33	2.35-46	BR, N, SR	KIT 944	
A-37144-5	SR170, SR270, SU170, SU270, SW170, SW270	37777	9-39T	4.33	2.35-46	N	KIT 944	Use A-37144-4
A-37144-6	RR270 w/Pump, UR270 w/Pump, WR270 w/Pump	38381	9-39T	4.33	2.35-46		KIT 944	No Longer Avail.
A-37144-7	RR270 w/Pump, UR270 w/Pump, WR270 w/Pump	38381	9-39T	4.33	2.35-46	N, BN	KIT 944	No Longer Avail.
A-37150-1	59700 Series	37151	7-43T	6.14	2.50-16			Repl. by A-37864-2
A-37150	59700 Series	37151	7-43T	6.14	2.50-16	BR, N, W		Repl. by A-37864-2
A-37162-1	C100	37163	10-37T	3.70	1.38-10	BR, N, W	KIT 946	
A-37162-2	C100	37163	10-37T	3.70	1.38-10	N	KIT 946	No Longer Avail.

HARDWARE KEY

B - Bolt or Capscrew **BN** - Button **BR** - Bearing or Bearing Race **MN** - Metric Nut
N - Nut **Q** - Quill **R** - Retainer **RV** - Rivet
S - Shim **SG** - Spur Gear **SR** - Snap Ring or Lock Ring **W** - Washer

SPLINE SIZE KEY

T - Tapered **STR** - Straight

(1) Recommended fasteners, not included with gearset.

(gr) Ring gear

GEARSETS BY PART NUMBER

Gearset	Model	Pinion	Tooth Count	Ratio	Spline Size	Hardware Included	Gear to Case Fastener (1)	Remarks
A-37162	C100	37163	10-37T	3.70	1.38-10		KIT 946	No Longer Avail.
A-37164-1	SHD, THD, UHD	37165	9-39T	4.33	2.62-26	N	KIT 2393	Repl. by A-40170-1
A-37164	SHD, THD, UHD	37165	9-39T	4.33	2.62-26		KIT 2393	Use A-40170-1
A-37180	PR-800, PROJ 13983	37181	6-35T	5.83	3-59			No Longer Avail.
A-37184-1	PROJ 13985	37185	6-35T	5.83	2.38-24	BR, N, R, W		No Longer Avail.
A-37184	PROJ 13985	37185	6-35T	5.83	2.38-24			No Longer Avail.
A-37210	PROJ 0837A	37211	6-37T	6.17	1.50-23			No Longer Avail.
A-37212	PR-800, PROJ 13983	37213	6-35T	5.83	1.75-34			No Longer Avail.
A-37222-1	R155, SHR	35319	9-37T	4.11	1.96-10	N	KIT 2393	
A-37222	R155, SHR	35319	9-37T	4.11	1.96-10		KIT 2393	
A-37256	QHP, SL100, SQ100	37337	5-43T	8.60	2.10-41		KIT 570	
A-37258-2	QHP, SL100, SQ100	37581	5-39T	7.80	2.10-41	N, SR	KIT 570	
A-37258	QHP, SL100, SQ100	37581	5-39T	7.80	2.10-41		KIT 570	Repl. by A-37258-2
A-37260-1	QHP, SL100, SQ100	37413	5-36T	7.20	2.10-41	N	KIT 570	Repl. by A-38834-1
A-37260-2	QHP, SL100, SQ100	37413	5-36T	7.20	2.10-41	BR	KIT 570	Use A-38834-1
A-37260	QHP, SL100, SQ100	37413	5-36T	7.20	2.10-41		KIT 570	Use A-38834-1
A-37262-1	QHP, SL100, SQ100	37415	6-41T	6.83	2.10-41	BR	KIT 570	Use A-38240-1
A-37262-2	QHP, SL100, SQ100	37415	6-41T	6.83	2.10-41	N	KIT 570	Repl. by A-38240-1
A-37262	QHP, SL100, SQ100	37415	6-41T	6.83	2.10-41		KIT 570	Use A-38240-1
A-37264-1	QHP, SL100, SQ100	37417	6-37T	6.17	2.10-41		KIT 570	Use A-38830-1
A-37264-2	QHP, SL100, SQ100	37417	6-37T	6.17	2.10-41		KIT 570	Use A-38830-1
A-37264	QHP, SL100, SQ100	37417	6-37T	6.17	2.10-41		KIT 570	Use A-38830-1
A-37278-1	QHP, SL100, SQ100	37419	11-39T	3.55	2.10-41	BR	KIT 570	Use A-37278-2
A-37278-2	QHP, SL100, SQ100	37419	11-39T	3.55	2.10-41	N	KIT 570	
A-37278	QHP, SL100, SQ100	37419	11-39T	3.55	2.10-41		KIT 570	Use A-37278-2
A-37296	PROJ 69-1900	37409	5-41T	8.20	2.10-41		KIT 570	
A-37298-1	R155, SHR	35311	6-41T	6.83	1.96-10	N	KIT 2393	No Longer Avail.
A-37298	R155, SHR	35311	6-41T	6.83	1.96-10		KIT 2393	No Longer Avail.
A-37300-1	R155, SHR	35317	5-37T	7.40	1.96-10	N	KIT 2393	
A-37300	R155, SHR	35317	5-37T	7.40	1.96-10		KIT 2393	
A-37302-1	SR170, SR270, SU170, SU270, SW170, SW270	38079	6-41T	6.83	2.35-46	N	KIT 944	Repl. by A-37302-2
A-37302-2	SR170, SR270, SU170, SU270, SW170, SW270	38079	6-41T	6.83	2.35-46	BR, N, W	KIT 944	No Longer Avail.
A-37302-3	RR270 w/Pump, UR270 w/Pump, WR270 w/Pump	38721	6-41T	6.83	2.35-46		KIT 944	No Longer Avail.
A-37302-4	RR270 w/Pump, UR270 w/Pump, WR270 w/Pump	38721	6-41T	6.83	2.35-46	N, BN	KIT 944	No Longer Avail.
A-37302	SR170, SR270, SU170, SU270, SW170, SW270	38079	6-41T	6.83	2.35-46		KIT 944	No Longer Avail.
A-37306-1	LR100, QR100	38619	5-39T	7.80	2-39		KIT 570	
A-37306-2	LR100, QR100	38619	5-39T	7.80	2-39	N, W	KIT 570	
A-37308-1	LR100, QR100	38617	5-36T	7.20	2-39	N, SR, W	KIT 570	Repl. by A-38832-1
A-37308	LR100, QR100	38617	5-36T	7.20	2-39		KIT 570	Use A-38832-1
A-37326-1	LR100, QR100	38593	11-39T	3.55	2-39	N, W	KIT 570	
A-37326	LR100, QR100	38593	11-39T	3.55	2-39		KIT 570	

HARDWARE KEY

B - Bolt or Capscrew **BN** - Button **BR** - Bearing or Bearing Race **MN** - Metric Nut
N - Nut **Q** - Quill **R** - Retainer **RV** - Rivet
S - Shim **SG** - Spur Gear **SR** - Snap Ring or Lock Ring **W** - Washer

SPLINE SIZE KEY

T - Tapered **STR** - Straight

(1) Recommended fasteners, not included with gerset.

(gr) Ring gear

GEARSETS BY PART NUMBER

Gearset	Model	Pinion	Tooth Count	Ratio	Spline Size	Hardware Included	Gear to Case Fastener (1)	Remarks
A-37328-1	RHD	37329	11-39T	3.55	2.62-26	N	KIT 570	
A-37328-2	RHD	37329	11-39T	3.55	2.62-26	N	KIT 570	Repl. by A-37328-1
A-37328	RHD	37329	11-39T	3.55	2.62-26		KIT 570	
A-37334-1	R155, SHR	35313	7-37T	5.29	1.96-10	N	KIT 2393	No Longer Avail.
A-37334	R155, SHR	35313	7-37T	5.29	1.96-10		KIT 2393	No Longer Avail.
A-37340-1	C100	37341	5-36T	7.20	1.38-10	BR, N, W	KIT 946	
A-37340-2	C100	37341	5-36T	7.20	1.38-10	N	KIT 946	
A-37340	C100	37341	5-36T	7.20	1.38-10		KIT 946	
A-37354-1	SR170, SR270, SU170, SU270, SW170, SW270	37649X	7-43T	6.14	2.35-46	BR, W	KIT 944	Use A-37354-4
A-37354-2	SR170, SR270, SU170, SU270, SW170, SW270	37773	7-43T	6.14	2.35-46		KIT 944	Repl. by A-37354-4
A-37354-3	SR170, SR270, SU170, SU270, SW170, SW270	37773	7-43T	6.14	2.35-46	BR, W	KIT 944	Use A-37354-4
A-37354-4	SR170, SR270, SU170, SU270, SW170, SW270	37773	7-43T	6.14	2.35-46	N	KIT 944	
A-37354-5	RR270 w/Pump, UR270 w/Pump, WR270 w/Pump	38379	7-43T	6.14	2.35-46		KIT 944	No Longer Avail.
A-37354-6	RR270 w/Pump, UR270 w/Pump, WR270 w/Pump	38379	7-43T	6.14	2.35-46	N, BN	KIT 944	No Longer Avail.
A-37354-7	SR170, SR270, SU170, SU270, SW170, SW270	37773	7-43T	6.14	2.35-46	BR, N, W	KIT 944	
A-37354	SR170, SR270, SU170, SU270, SW170, SW270	37649X	7-43T	6.14	2.35-46		KIT 944	Use A-37354-4
A-37364-1	R155, SHR	35445	7-43T	6.14	1.96-10	N	KIT 2393	No Longer Avail.
A-37364	R155, SHR	35445	7-43T	6.14	1.96-10		KIT 2393	No Longer Avail.
A-37374-1	LR100, QR100	38611	6-35T	5.83	2-39	N, W	KIT 570	Repl. by A-38822-1
A-37374	LR100, QR100	38611	6-35T	5.83	2-39		KIT 570	Use A-38822-1
A-37376-1	LR100, QR100	38609	7-37T	5.29	2-39	N, W	KIT 570	
A-37376	LR100, QR100	38609	7-37T	5.29	2-39		KIT 570	
A-37382-1	LR100, QR100	38601	9-39T	4.33	2-39	N, W	KIT 570	
A-37382	LR100, QR100	38601	9-39T	4.33	2-39		KIT 570	
A-37392-1	LR100, QR100	38607	8-39T	4.88	2-39	N, W	KIT 570	
A-37392	LR100, QR100	38607	8-39T	4.88	2-39		KIT 570	
A-37394-1	QHP, SL100, SQ100	37395	6-35T	5.83	2.10-41	N, SR	KIT 570	
A-37394	QHP, SL100, SQ100	37395	6-35T	5.83	2.10-41		KIT 570	
A-37396-1	QHP, SL100, SQ100	37579	7-37T	5.29	2.10-41	BR	KIT 570	Use A-37396-2
A-37396-2	QHP, SL100, SQ100	37579	7-37T	5.29	2.10-41	N	KIT 570	
A-37396	QHP, SL100, SQ100	37579	7-37T	5.29	2.10-41		KIT 570	Use A-37396-2
A-37398-1	QHP, SL100, SQ100	37399	8-39T	4.88	2.10-41	N	KIT 570	
A-37398	QHP, SL100, SQ100	37399	8-39T	4.88	2.10-41		KIT 570	Use A-37398-1
A-37404-1	QHP, SL100, SQ100	37405	9-39T	4.33	2.10-41	N	KIT 570	
A-37404	QHP, SL100, SQ100	37405	9-39T	4.33	2.10-41		KIT 570	Use A-37404-1
A-37422-1	FDS1600	37423	8-37T	4.63	1.62-10	BR, N, SR	KIT 947	

HARDWARE KEY

B - Bolt or Capscrew **BN** - Button **BR** - Bearing or Bearing Race **MN** - Metric Nut
N - Nut **Q** - Quill **R** - Retainer **RV** - Rivet
S - Shim **SG** - Spur Gear **SR** - Snap Ring or Lock Ring **W** - Washer

SPLINE SIZE KEY

T - Tapered **STR** - Straight

(1) Recommended fasteners, not included with gearset.

(gr) Ring gear

GEARSETS BY PART NUMBER

Gearset	Model	Pinion	Tooth Count	Ratio	Spline Size	Hardware Included	Gear to Case Fastener (1)	Remarks
A-37422-2	FDS1600	37423	8-37T	4.63	1.62-10	N	KIT 947	
A-37422	FDS1600	37423	8-37T	4.63	1.62-10		KIT 947	
A-37428-1	F Series	37429	8-37T	4.63	1.50-10	N	KIT 947	Use A-37428-2
A-37428-2	F Series	37429	8-37T	4.63	1.50-10	N	KIT 947	
A-37428-3	F Series	37429	8-37T	4.63	1.50-10	BR, N, SR	KIT 947	
A-37428	F Series	37429	8-37T	4.63	1.50-10		KIT 947	
A-37444-1	FDS1600	37445	7-37T	5.29	1.62-10	BR, N, SR	KIT 947	
A-37444-2	FDS1600	37445	7-37T	5.29	1.62-10	N	KIT 947	
A-37444	FDS1600	37445	7-37T	5.29	1.62-10		KIT 947	
A-37492-1	H110, H150	35165	6-35T	5.83	1.62-10		KIT 947	
A-37492-2	H110, H150	35165	6-35T	5.83	1.62-10	N	KIT 947	
A-37492	H110, H150	35165	6-35T	5.83	1.62-10	BR, SR	KIT 947	
A-37494-1	QHP, SL100, SQ100	37573	9-37T	4.11	2.10-41	BR	KIT 570	Use A-38836-1
A-37494-2	QHP, SL100, SQ100	37573	9-37T	4.11	2.10-41	N	KIT 570	Use A-38836-1
A-37494	QHP, SL100, SQ100	37573	9-37T	4.11	2.10-41		KIT 570	Use A-38836-1
A-37502-1	H140, HHR, JHR	37503X	6-35T	5.83	1.62-10	BR, N, SR	KIT 947	
A-37502-2	H140, HHR, JHR	37503X	6-35T	5.83	1.62-10	N	KIT 947	
A-37502	H140, HHR, JHR	37503X	6-35T	5.83	1.62-10		KIT 947	
A-37520	PROJ 71-1007	37521	5-43T	8.60	1.75-34			No Longer Avail.
A-37526-1	L145 Type, PR150	36787	5-37T	7.40	1.75-10	BR, N, SR		No Longer Avail.
A-37526	L145 Type, PR150	36787	5-37T	7.40	1.75-10			No Longer Avail.
A-37528-2	QAR	37529	9-37T	4.11	1.75-34		KIT 570	No Longer Avail.
A-37528-3	QAR	38295	9-37T	4.11	2-39	N, W	KIT 570	Repl. by A-38758-1
A-37528	QAR	37529	9-37T	4.11	1.75-34		KIT 570	No Longer Avail.
A-37530-1	QHP, SL100, SQ100	37575	9-40T	4.44	2.10-41	BR	KIT 570	Use A-37530-2
A-37530-2	QHP, SL100, SQ100	37575	9-40T	4.44	2.10-41	N	KIT 570	
A-37530	QHP, SL100, SQ100	37575	9-40T	4.44	2.10-41		KIT 570	Use A-37530-2
A-37532-1	QAR	37533	9-40T	4.44	1.75-34	N	KIT 570	No Longer Avail.
A-37532-2	QAR	38561	9-40T	4.44	2-39		KIT 570	Repl. by A-37532-3
A-37532-3	QAR	38561	9-40T	4.44	2-39	N, W	KIT 570	
A-37532	QAR	37533	9-40T	4.44	1.75-34		KIT 570	No Longer Avail.
A-37534-1	QAR	37535	8-37T	4.63	1.75-34	N	KIT 570	No Longer Avail.
A-37534-2	QAR	38563	8-37T	4.63	2-39		KIT 570	Use A-37534-3
A-37534-3	QAR	38563	8-37T	4.63	2-39	N, W	KIT 570	
A-37534	QAR	37535	8-37T	4.63	1.75-34		KIT 570	No Longer Avail.
A-37536-1	QAR	37537	7-37T	5.29	1.75-34	N	KIT 570	No Longer Avail.
A-37536-2	QAR	38565	7-37T	5.29	2-39		KIT 570	
A-37536-3	QAR	38565	7-37T	5.29	2-39	N, W	KIT 570	
A-37536	QAR	37537	7-37T	5.29	1.75-34		KIT 570	No Longer Avail.
A-37540-1	QHP, SL100, SQ100	37577	8-37T	4.63	2.10-41	BR	KIT 570	Use A-37540-2
A-37540-2	QHP, SL100, SQ100	37577	8-37T	4.63	2.10-41	N	KIT 570	
A-37540	QHP, SL100, SQ100	37577	8-37T	4.63	2.10-41		KIT 570	Use A-37540-2
A-37542-1	QAR	37543	9-39T	4.33	1.75-34	N	KIT 570	No Longer Avail.
A-37542-2	QAR	38567	9-39T	4.33	2-39		KIT 570	No Longer Avail.
A-37542-3	QAR	38567	9-39T	4.33	2-39	N, W	KIT 570	
A-37542	QAR	37543	9-39T	4.33	1.75-34		KIT 570	No Longer Avail.
A-37544-1	QAR	37545	8-39T	4.88	1.75-34	N	KIT 570	No Longer Avail.
A-37544-2	QAR	38569	8-39T	4.88	2-39		KIT 570	Use A-37544-3
A-37544-3	QAR	38569	8-39T	4.88	2-39	N, W	KIT 570	No Longer Avail.
A-37544	QAR	37545	8-39T	4.88	1.75-34		KIT 570	No Longer Avail.
A-37546	QAR	37547	6-35T	5.83	1.75-34		KIT 570	No Longer Avail.

HARDWARE KEY

B - Bolt or Capscrew **BN** - Button **BR** - Bearing or Bearing Race **MN** - Metric Nut
N - Nut **Q** - Quill **R** - Retainer **RV** - Rivet
S - Shim **SG** - Spur Gear **SR** - Snap Ring or Lock Ring **W** - Washer

SPLINE SIZE KEY

T - Tapered **STR** - Straight

(1) Recommended fasteners, not included with gearset.

(gr) Ring gear

GEARSETS BY PART NUMBER

Gearset	Model	Pinion	Tooth Count	Ratio	Spline Size	Hardware Included	Gear to Case Fastener (1)	Remarks
A-37548-1	OAR	37549	6-37T	6.17	1.75-34	N	KIT 570	No Longer Avail.
A-37548-3	OAR	38573	6-37T	6.17	2-39	N	KIT 570	
A-37548	OAR	37549	6-37T	6.17	1.75-34		KIT 570	No Longer Avail.
A-37550	PROJ 71-1007	37551	6-41T	6.83	1.75-34			No Longer Avail.
A-37552	PROJ 71-1007	37553	5-36T	7.20	1.75-34			No Longer Avail.
A-37554	PROJ 71-1007	37555	5-41T	8.20	1.75-34			No Longer Avail.
A-37556-2	SHD, THD, UHD	37557	7-39T	5.57	2.62-26	N	KIT 2393	No Longer Avail.
A-37556	SHD, THD, UHD	37557	7-39T	5.57	2.62-26		KIT 2393	No Longer Avail.
A-37562-1	LR100, QR100	38599	9-37T	4.11	2-39	N, W	KIT 570	Repl. by A-38730-1
A-37564-1	LR100, QR100	38603	9-40T	4.44	2-39	N, W	KIT 570	
A-37564	LR100, QR100	38603	9-40T	4.44	2-39		KIT 570	
A-37566-1	LR100, QR100	38605	8-37T	4.63	2-30	N, W	KIT 570	
A-37566	LR100, QR100	38605	8-37T	4.63	2-30		KIT 570	
A-37588-1	L100, LHR, QHR	37589	10-37T	3.70	1.75-10	N	KIT 570	Repl. by A-37588-10
A-37588-10	L100, LHR, QHR	37589	10-37T	3.70	1.75-10	N	KIT 570	No Longer Avail.
A-37588-11	LHD, QHD	39235	10-37T	3.70	2-39		KIT 570	No Longer Avail.
A-37588-12	LHD, QHD	39235	10-37T	3.70	2-39	N, W	KIT 570	No Longer Avail.
A-37588-13	LHD, QHD	39235	10-37T	3.70	2-39	N, SG, W	KIT 570	No Longer Avail.
A-37588-14	LHD, QHD	39235	10-37T	3.70	2-39	BR, N, SG, SR, W	KIT 570	No Longer Avail.
A-37588-15	LHD, QHD	39235	10-37T	3.70	2-39	BR, N, SR, W	KIT 570	No Longer Avail.
A-37588-2	LHD, QHD	37591	10-37T	3.70	2-21	N, W	KIT 570	Repl. by A-37588-13
A-37588-3	LHD, QHD	37591	10-37T	3.70	2-21	BR, N, W	KIT 570	Repl. by A-37588-14
A-37588-4	L100, LHR, QHR	37589	10-37T	3.70	1.75-10	BR, N, SR	KIT 570	No Longer Avail.
A-37588-5	L100, LHR, QHR	37589	10-37T	3.70	1.75-10		KIT 570	No Longer Avail.
A-37588-6	L100, LHR, QHR	37589	10-37T	3.70	1.75-10	BR, N	KIT 570	
A-37588-7	LHD, QHD	37591	10-37T	3.70	2-21		KIT 570	Repl. by A-37588-13
A-37588-8	LHD, QHD	37591	10-37T	3.70	2-21	BR, N, SR, W	KIT 570	Repl. by A-37588-14
A-37588-9	LHD, QHD	37591	10-37T	3.70	2-21	N, W	KIT 570	Repl. by A-37588-13
A-37588	LHD, QHD	37591	10-37T	3.70	2-21	N, W	KIT 570	Repl. by A-37588-11
A-37594-1	OAR	37595	11-39T	3.55	1.75-34	N	KIT 570	No Longer Avail.
A-37594-2	OAR	38287	11-39T	3.55	2-39		KIT 570	
A-37594-3	OAR	38287	11-39T	3.55	2-39	N, W	KIT 570	
A-37594	OAR	37595	11-39T	3.55	1.75-34		KIT 570	No Longer Avail.
A-37596-1	QHP, SL100, SQ100	37597	10-37T	3.70	2.10-41	BR	KIT 570	Use A-37596-2
A-37596-2	QHP, SL100, SQ100	37597	10-37T	3.70	2.10-41	N	KIT 570	
A-37596	QHP, SL100, SQ100	37597	10-37T	3.70	2.10-41		KIT 570	Use A-37596-2
A-37598-1	OAR	37599	10-37T	3.70	1.75-34	N	KIT 570	No Longer Avail.
A-37598-2	OAR	38575	10-37T	3.70	2-39		KIT 570	No Longer Avail.
A-37598-3	OAR	38575	10-37T	3.70	2-39	N, W	KIT 570	No Longer Avail.
A-37598	OAR	37599	10-37T	3.70	1.75-34		KIT 570	No Longer Avail.
A-37600		37601	5-39T	7.80	1.49-11			No Longer Avail.
A-37608-1	OAR	37609	5-39T	7.80	1.75-34	N	KIT 570	No Longer Avail.
A-37608-3	OAR	38577	5-39T	7.80	2-39	N, W	KIT 570	No Longer Avail.
A-37608	OAR	37609	5-39T	7.80	1.75-34	N	KIT 570	No Longer Avail.
A-37632	OAR	37633	5-43T	8.60	1.75-34		KIT 570	No Longer Avail.
A-37634	OAR	37635	5-41T	8.20	1.75-34		KIT 570	No Longer Avail.
A-37638	OAR	37639	5-36T	7.20	1.75-34		KIT 570	No Longer Avail.
A-37640-1	OAR	37641	6-41T	6.83	1.75-34	N	KIT 570	No Longer Avail.
A-37640-3	OAR	38583	6-41T	6.83	2-39	N	KIT 570	Repl. by A-38246-1
A-37640	OAR	37641	6-41T	6.83	1.75-34		KIT 570	No Longer Avail.

HARDWARE KEY

B - Bolt or Capscrew **BN** - Button **BR** - Bearing or Bearing Race **MN** - Metric Nut
N - Nut **Q** - Quill **R** - Retainer **RV** - Rivet
S - Shim **SG** - Spur Gear **SR** - Snap Ring or Lock Ring **W** - Washer

SPLINE SIZE KEY

T - Tapered **STR** - Straight

(1) Recommended fasteners, not included with gearset.

(gr) Ring gear

GEARSETS BY PART NUMBER

Gearset	Model	Pinion	Tooth Count	Ratio	Spline Size	Hardware Included	Gear to Case Fastener (1)	Remarks
A-37646-1	H140, HHR, JHR	36883	5-36T	7.20	1.62-10	N	KIT 570	
A-37646X	H140, HHR, JHR	36883	5-36T	7.20	1.62-10		KIT 570	
A-37648-1	Q100, Q145	35439	5-36T	7.20	1.88-10	N	KIT 570	
A-37648	Q100, Q145	35439	5-36T	7.20	1.88-10		KIT 570	
A-37654-2	SR170, SR270, SU170, SU270, SW170, SW270	37779	9-37T	4.11	2.35-46		KIT 944	Use A-37654-6
A-37654-3	SR170, SR270, SU170, SU270, SW170, SW270	37779	9-37T	4.11	2.35-46	BR, W	KIT 944	Use A-37654-6
A-37654-4	SR170, SR270, SU170, SU270, SW170, SW270	37779	9-37T	4.11	2.35-46	N	KIT 944	Use A-37654-6
A-37654-5	SR170, SR270, SU170, SU270, SW170, SW270	37779	9-37T	4.11	2.35-46	N	KIT 944	Use A-37654-6
A-37654-6	SR170, SR270, SU170, SU270, SW170, SW270	37779	9-37T	4.11	2.35-46	BR, N, W	KIT 944	
A-37654-7	RR270 w/Pump, UR270 w/Pump, WR270 w/Pump	38713	9-37T	4.11	2.35-46		KIT 944	No Longer Avail.
A-37654-8	RR270 w/Pump, UR270 w/Pump, WR270 w/Pump	38713	9-37T	4.11	2.35-46	N, BN	KIT 944	No Longer Avail.
A-37662-1	H140, HHR, JHR	37663	9-37T	4.11	1.62-10	BR, N, SR	KIT 947	No Longer Avail.
A-37662-2	H140 TYPE	39415	9-37T	4.11	1.75-34		KIT 947	No Longer Avail.
A-37662-3	H140 TYPE	39415	9-37T	4.11	1.75-34	BR, N, SR	KIT 947	No Longer Avail.
A-37662	H140, HHR, JHR	37663	9-37T	4.11	1.62-10		KIT 947	No Longer Avail.
A-37690	CTD35	37691	6-37T	6.17	2.35-46			No Longer Avail.
A-37692	CTD35	37693	6-37T	6.17	2.35-46			No Longer Avail.
A-37708-1	D100, DHR	37721	8-39T	4.88	1.38-10		KIT 947	No Longer Avail.
A-37708-2	D100, DHR	37709	8-39T	4.88	1.38-10	N	KIT 947	No Longer Avail.
A-37708-3	D100, DHR	37721	8-39T	4.88	1.38-10	BR, N, SR	KIT 947	No Longer Avail.
A-37708	D100, DHR	37709	8-39T	4.88	1.38-10		KIT 947	No Longer Avail.
A-37710-1	D100, DHR	37711	9-39T	4.33	1.38-10	N	KIT 947	No Longer Avail.
A-37710-2	D100, DHR	37723X	9-39T	4.33	1.38-10		KIT 947	No Longer Avail.
A-37710-3	D100, DHR	37723X	9-39T	4.33	1.38-10	BR, N, SR	KIT 947	No Longer Avail.
A-37710	D100, DHR	37711	9-39T	4.33	1.38-10		KIT 947	No Longer Avail.
A-37726-1		37727	8-37T	4.63	2.38-24	BR, N		No Longer Avail.
A-37726		37727	8-37T	4.63	2.38-24			No Longer Avail.
A-37728-1		37729	8-37T	4.63	2.38-24	BR, N, R, SR		No Longer Avail.
A-37728		37729	8-37T	4.63	2.38-24			No Longer Avail.
A-37754-1	LRV-100	37755	7-39T	5.57	1.94-10	BR, SR		
A-37754	LRV-100	37755	7-39T	5.57	1.94-10			
A-37756-1	PR700	37757	7-33T	4.71	2.38-24	BR, N, R, W	KIT 945	
A-37756	PR700	37757	7-33T	4.71	2.38-24		KIT 945	
A-37758-1	PR700	37759	7-33T	4.71	2.38-24	BR, W, R	KIT 945	
A-37758	PR700	37759	7-33T	4.71	2.38-24		KIT 945	
A-37766-1	SR170, SR270, SU170, SU270, SW170, SW270	37767	8-37T	4.63	2.35-46	BR, W	KIT 944	

HARDWARE KEY

B - Bolt or Capscrew **BN** - Button **BR** - Bearing or Bearing Race **MN** - Metric Nut
N - Nut **Q** - Quill **R** - Retainer **RV** - Rivet
S - Shim **SG** - Spur Gear **SR** - Snap Ring or Lock Ring **W** - Washer

SPLINE SIZE KEY

T - Tapered **STR** - Straight

(1) Recommended fasteners, not included with gearset.

(gr) Ring gear

GEARSETS BY PART NUMBER

Gearset	Model	Pinion	Tooth Count	Ratio	Spline Size	Hardware Included	Gear to Case Fastener (1)	Remarks
A-37766-2	SR170, SR270, SU170, SU270, SW170, SW270	37767	8-37T	4.63	2.35-46	N	KIT 944	Repl. by A-37766-3
A-37766-3	SR170, SR270, SU170, SU270, SW170, SW270	37767	8-37T	4.63	2.35-46	N	KIT 944	
A-37766-4	RR270 w/Pump, UR270 w/Pump, WR270 w/Pump	38715	8-37T	4.63	2.35-46		KIT 944	No Longer Avail.
A-37766-5	RR270 w/Pump, UR270 w/Pump, WR270 w/Pump	38715	8-37T	4.63	2.35-46	N, BN	KIT 944	No Longer Avail.
A-37766	SR170, SR270, SU170, SU270, SW170, SW270	37767	8-37T	4.63	2.35-46		KIT 944	Repl. by A-37766-3
A-37796-1	H170	37821	8-43T	5.38	1.62-10	N	KIT 570	No Longer Avail.
A-37796	H170	37821	8-43T	5.38	1.62-10		KIT 570	Use A-37796-1
A-37862	59723	37863	7-43T	6.14	2.50-16			
A-37864-1	59700 Series	37865	7-43T	6.14	2.50-16			No Longer Avail.
A-37864-2	59000 Series	37865	7-43T	6.14	2.50-16	N, W		No Longer Avail.
A-37882	L600, L610, L620, L621	37883	6-43T	7.14	1.75-34			
A-37884	L600, L610, L620, L621	37909	7-43T	6.17	1.75-34			
A-37888-1	R155, SHR	38019	10-39T	3.90	2-39		KIT 2393	Use A-40534-1
A-37888-2	R155, SHR	38019	10-39T	3.90	2-39	N	KIT 2393	Repl. by A-40534-1
A-37888-3	R155, SHR	37889	10-39T	3.90	1.96-10	N	KIT 2393	No Longer Avail.
A-37888-4	R155, SHR	37889	10-39T	3.90	1.96-10	BR, N, R, W	KIT 2393	No Longer Avail.
A-37888-5	R155, SHR	38019	10-39T	3.90	2-39	BR, N, R, W	KIT 2393	Use A-40534-1
A-37888	R155, SHR	37889	10-39T	3.90	1.96-10		KIT 2393	No Longer Avail.
A-37890-1	R155 Type (RH)	38083	10-39T	3.90	1.96-10		KIT 2393	No Longer Avail.
A-37890-2	SHD, THD, UHD	37891	10-39T	3.90	2.62-26	N	KIT 2393	Repl. by A-40162-1
A-37890-3	SHD w/Pump	38175	10-39T	3.90	2.62-26	N	KIT 2393	Repl. by A-40162-3
A-37890-4	SHD w/Pump	38175	10-39T	3.90	2.62-26		KIT 2393	No Longer Avail.
A-37890-5	R155 Type (RH)	38083	10-39T	3.90	1.96-10	N	KIT 2393	No Longer Avail.
A-37890	SHD, THD, UHD	37891	10-39T	3.90	2.62-26		KIT 2393	Use A-40162-1
A-37944-1	H172, H173, L172, L173	37945	6-43T	7.17	1.75-34	BR, N	KIT 570	Use A-37944-5
A-37944-2	H172, H173, L172, L173	37945	6-43T	7.17	1.75-34	N	KIT 570	Use A-37944-4
A-37944-3	H172, H173, L172, L173	38223	6-43T	7.17	1.75-34		KIT 570	
A-37944-4	H172, H173, L172, L173	38223	6-43T	7.17	1.75-34	N, SR	KIT 570	
A-37944-5	H172, H173, L172, L173	38223	6-43T	7.17	1.75-34	BR, N, SR	KIT 570	
A-37944-6	T276, TA362	38223	6-43T	7.17	1.75-34	BR, N, SR	KIT 570	
A-37944	H172, H173, L172, L173	37945	6-43T	7.17	1.75-34		KIT 570	Use A-37944-4
A-37960-1	H172, H173, L172, L173	37961	11-41T	3.73	1.75-34	BR	KIT 570	Use A-37960-5
A-37960-2	H172, H173, L172, L173	38213	11-41T	3.73	1.75-34	N	KIT 570	

HARDWARE KEY

B - Bolt or Capscrew **BN** - Button **BR** - Bearing or Bearing Race **MN** - Metric Nut
N - Nut **Q** - Quill **R** - Retainer **RV** - Rivet
S - Shim **SG** - Spur Gear **SR** - Snap Ring or Lock Ring **W** - Washer

SPLINE SIZE KEY

T - Tapered **STR** - Straight

(1) Recommended fasteners, not included with gearset.

(gr) Ring gear

GEARSETS BY PART NUMBER

Gearset	Model	Pinion	Tooth Count	Ratio	Spline Size	Hardware Included	Gear to Case Fastener (1)	Remarks
A-37960-3	H172, H173, L172, L173	38213	11-41T	3.73	1.75-34		KIT 570	
A-37960-4	H172, H173, L172, L173	38213	11-41T	3.73	1.75-34	N, SR	KIT 570	No Longer Avail.
A-37960-5	H172, H173, L172, L173	38213	11-41T	3.73	1.75-34	BR, N, SR	KIT 570	
A-37960-6	H172, L172	37961	11-41T	3.72	1.75-34	BR, SR, W, N		
A-37960	H172, H173, L172, L173	37961	11-41T	3.73	1.75-34		KIT 570	Use A-37960-4
A-38000-1	OAR	38001	10-39T	3.90	1.75-34	N	KIT 570	No Longer Avail.
A-38000-2	OAR	38585	10-39T	3.90	2-39		KIT 570	
A-38000-3	OAR	38585	10-39T	3.90	2-39	N, W	KIT 570	
A-38000	OAR	38001	10-39T	3.90	1.75-34		KIT 570	No Longer Avail.
A-38002-1	QHP, SL100, SQ100	38003	10-39T	3.90	2.10-41	N	KIT 570	
A-38002-2	QHP, SL100, SQ100	38003	10-39T	3.90	2.10-41	BR, N	KIT 570	
A-38002	QHP, SL100, SQ100	38003	10-39T	3.90	2.10-41		KIT 570	
A-38004-1	R170, S170, U170, W170	38005	10-39T	3.90	2.25-10		KIT 944	
A-38004-2	R170, S170, U170, W170	38005	10-39T	3.90	2.25-10	BR, N, W	KIT 944	
A-38004-5	R170, S170, U170, W170	38005	10-39T	3.90	2.25-10	BR, N, W	KIT 944	
A-38004	R170, S170, U170, W170	38005	10-39T	3.90	2.25-10	N	KIT 944	
A-38006-1	LHD, QHD	38009	10-39T	3.90	2-21	N, W	KIT 570	Repl. by A-38006-10
A-38006-10	LHD, QHD	39237	10-39T	3.90	2-39	N, SG, W	KIT 570	
A-38006-11	LHD, QHD	39237	10-39T	3.90	2-39	BR, N, SR, W	KIT 570	No Longer Avail.
A-38006-12	LHD, QHD	39237	10-39T	3.90	2-39	BR, N, SG, SR, W	KIT 570	No Longer Avail.
A-38006-2	L100, LHR, QHR	38007	10-39T	3.90	1.75-10		KIT 570	No Longer Avail.
A-38006-3	L100, LHR, QHR	38007	10-39T	3.90	1.75-10	N	KIT 570	No Longer Avail.
A-38006-4	LHD, QHD	38009	10-39T	3.90	2-21	BR, N, SR, W	KIT 570	Repl. by A-38006-12
A-38006-5	L100, LHR, QHR	38007	10-39T	3.90	1.75-10	BR, N, SR	KIT 570	No Longer Avail.
A-38006-8	LHD, QHD	39237	10-39T	3.90	2-39		KIT 570	No Longer Avail.
A-38006-9	LHD, QHD	39237	10-39T	3.90	2-39	N, W	KIT 570	No Longer Avail.
A-38006	LHD, QHD	38009	10-39T	3.90	2-21		KIT 570	Repl. by A-38006-10
A-38014-1	UDF	38017	16-31T				KIT 535	
A-38014	UDF	38015	16-31T			Q	KIT 535	No Longer Avail.
A-38044-1	H172, H173, L172, L173	38639	9-44T	4.89	1.75-34	N	KIT 570	Repl. by A-39206-1
A-38044	H172, H173, L172, L173	38639	9-44T	4.89	1.75-34		KIT 570	Repl. by A-39206
A-38048-1	H172, H173, L172, L173	38233	10-41T	4.10	1.75-34		KIT 570	No Longer Avail.
A-38048-2	H172, H173, L172, L173	38233	10-41T	4.10	1.75-34	N, SR	KIT 570	No Longer Avail.
A-38048-3	H172, H173, L172, L173	38233	10-41T	4.10	1.75-34	N	KIT 570	
A-38048	H172, H173, L172, L173	38049	10-41T	4.10	1.75-34		KIT 570	Use A-38048-2

HARDWARE KEY

B - Bolt or Capscrew **BN** - Button **BR** - Bearing or Bearing Race **MN** - Metric Nut
N - Nut **Q** - Quill **R** - Retainer **RV** - Rivet
S - Shim **SG** - Spur Gear **SR** - Snap Ring or Lock Ring **W** - Washer

SPLINE SIZE KEY

T - Tapered **STR** - Straight

(1) Recommended fasteners, not included with gearset.

(gr) Ring gear

GEARSETS BY PART NUMBER

Gearset	Model	Pinion	Tooth Count	Ratio	Spline Size	Hardware Included	Gear to Case Fastener (1)	Remarks
A-38060	L600, L610, L620, L621	38061	6-43T	7.17	1.75-34			
A-38076-1	59700 Series	38077	8-41T	5.13	2.50-16	N	KIT 2464	
A-38076-2	59700 Series	38077	8-41T	5.13	2.50-16	BR, N, W	KIT 2464	No Longer Avail.
A-38076	59700 Series	38077	8-41T	5.13	2.50-16		KIT 2464	
A-38096-1	WP280, WR280	38097	7-37T	5.29	2.50-16	N		No Longer Avail.
A-38096-3	RPXX180	41567	7-37T	5.29	2.35-46	N		No Longer Avail.
A-38096-4	RPXX180	41567	7-37T	5.29	2.35-46	N, BR, S		No Longer Avail.
A-38096	WP280, WR280	38097	7-37T	5.29	2.50-16			No Longer Avail.
A-38108-1	WP280, WR280	38109	5-37T	7.40	2.50-16	N		No Longer Avail.
A-38108	WP280, WR280	38109	5-37T	7.40	2.50-16			No Longer Avail.
A-38112-1	59722, 59723	38113	8-43T	5.38	2.50-16	N	KIT 2464	
A-38112-2	59700 Series	38113	8-43T	5.38	2.50-16	BR, N, W	KIT 2464	
A-38112	59700 Series	38113	8-43T	5.38	2.50-16		KIT 2464	
A-38120-1	D100, DHR	38121	6-41T	6.83	1.38-10	N	KIT 947	.985 Bearing
A-38120	D100, DHR	38121	6-41T	6.83	1.38-10		KIT 947	.985 Bearing
A-38122-1	D100, DHR	38123	7-43T	6.14	1.38-10		KIT 947	.985 Bearing
A-38122	D100, DHR	38123	7-43T	6.14	1.38-10		KIT 947	.985 Bearing
A-38124-1	F Series	38125	6-43T	7.17	1.50-10	N	KIT 947	No Longer Avail.
A-38124-2	F Series	38125	6-43T	7.17	1.50-10	BR, N, SR	KIT 947	
A-38124	F Series	38125	6-43T	7.17	1.50-10		KIT 947	No Longer Avail.
A-38126-1	F Series	38127	6-41T	6.83	1.50-10	N	KIT 947	
A-38126-2	F Series	38127	6-41T	6.83	1.50-10	BR, N, SR	KIT 947	
A-38126	F Series	38127	6-41T	6.83	1.50-10		KIT 947	
A-38128-1	F Series	38129	7-43T	6.14	1.50-10	N	KIT 947	
A-38128	F Series	38129	7-43T	6.14	1.50-10		KIT 947	
A-38134-1	SR170, SR270, SU170, SU270, SW170, SW270	38135	8-39T	4.88	2.35-46	N	KIT 944	Repl. by A-38134-2
A-38134-2	SR170, SR270, SU170, SU270, SW170, SW270	38135	8-39T	4.88	2.35-46	BR, N, W	KIT 944	
A-38134-3	RR270 w/Pump, UR270 w/Pump, WR270 w/Pump	38717	8-39T	4.88	2.35-46		KIT 944	No Longer Avail.
A-38134-4	RR270 w/Pump, UR270 w/Pump, WR270 w/Pump	38717	8-39T	4.88	2.35-46	N, BN	KIT 944	No Longer Avail.
A-38134	SR170, SR270, SU170, SU270, SW170, SW270	38135	8-39T	4.88	2.35-46		KIT 944	Repl. by A-38134-2
A-38138	L600, L610, L620, L621	38139	10-41T	4.10	1.75-34			
A-38152-1	59700 Series	38153	10-41T	4.10	2.50-16	N	KIT 2464	
A-38152	59700 Series	38153	10-41T	4.10	2.50-16		KIT 2464	
A-38158-1	59700 Series	38159	9-41T	4.56	2.50-16	N	KIT 2464	
A-38158	59700 Series	38159	9-41T	4.56	2.50-16		KIT 2464	
A-38162-1	59700 Series	38163	7-41T	5.86	2.50-16	N	KIT 2464	
A-38162	59700 Series	38163	7-41T	5.86	2.50-16		KIT 2464	No Longer Avail.
A-38230-1	F130	38231	9-44T	4.88	1.38-10	N	KIT 947	No Longer Avail.
A-38230	F130	38231	9-44T	4.88	1.38-10		KIT 947	No Longer Avail.
A-38240-1	QHP, SQ100	38241	6-41T	6.83	2.10-41	N, SR	KIT 570	

HARDWARE KEY

B - Bolt or Capscrew **BN** - Button **BR** - Bearing or Bearing Race **MN** - Metric Nut
N - Nut **Q** - Quill **R** - Retainer **RV** - Rivet
S - Shim **SG** - Spur Gear **SR** - Snap Ring or Lock Ring **W** - Washer

SPLINE SIZE KEY

T - Tapered **STR** - Straight

(1) Recommended fasteners, not included with gearset.

(gr) Ring gear

GEARSETS BY PART NUMBER

Gearset	Model	Pinion	Tooth Count	Ratio	Spline Size	Hardware Included	Gear to Case Fastener (1)	Remarks
A-38240	QHP, SQ100	38241	6-41T	6.83	2.10-41		KIT 570	
A-38242-1	QHP, SQ100	38243	6-37T	6.17	2.10-41	N	KIT 570	Repl. by A-38830-1
A-38242	QHP, SQ100	38243	6-37T	6.17	2.10-41		KIT 570	Use A-38830-1
A-38244-1	OAR	38573	6-37T	6.17	2-39	N, W	KIT 570	Repl. by A-38826-1
A-38244	OAR	38573	6-37T	6.17	2-39		KIT 570	Use A-38826-1
A-38246-1	OAR	38583	6-41T	6.83	2-39	N, W	KIT 570	No Longer Avail.
A-38246	OAR	38583	6-41T	6.83	2-39		KIT 570	No Longer Avail.
A-38266-1	58822	38265	8-41T	5.13	2.50-16	N, W	KIT 2464	No Longer Avail.
A-38266	58822	38265	8-41T	5.13	2.50-16		KIT 2464	No Longer Avail.
A-38268-1	58822	38267	7-38T	5.43	2.50-16	N, W	KIT 2464	No Longer Avail.
A-38268	58822	38267	7-38T	5.43	2.50-16		KIT 2464	No Longer Avail.
A-38270-1	58822	38269	9-40T	4.44	2.50-16	N, W	KIT 2464	No Longer Avail.
A-38270	58822	38269	9-40T	4.44	2.50-16		KIT 2464	No Longer Avail.
A-38272-1	58822	38271	9-41T	4.55	2.50-16	N, W	KIT 2464	No Longer Avail.
A-38272	58822	38271	9-41T	4.55	2.50-16		KIT 2464	No Longer Avail.
A-38274-1	58822	38273	10-41T	4.10	2.50-16	N, W	KIT 2464	No Longer Avail.
A-38274	58822	38273	10-41T	4.10	2.50-16		KIT 2464	No Longer Avail.
A-38278-1	F120, F121	38283	8-39T	4.88	1.50-10	N	KIT 947	No Longer Avail.
A-38278-2	F120, F121	38283	8-39T	4.88	1.50-10	BR, N, SR, W	KIT 947	
A-38278-5	F120, F121	38283	8-39T	4.88	1.50-10	BR, N, W, SR	KIT 947	
A-38278	F120, F121	38283	8-39T	4.88	1.50-10		KIT 947	No Longer Avail.
A-38280-1	F120, F121	38285	7-39T	5.57	1.50-10		KIT 947	No Longer Avail.
A-38280-2	F120, F121	38285	7-39T	5.57	1.50-10	N	KIT 947	No Longer Avail.
A-38280	F120, F121	38281	7-39T	5.57	1.50-10		KIT 947	Volkswagen
A-38288	F130	38289	8-45T	5.63	1.38-10	N	KIT 947	
A-38290	R170, S170, U170, W170	38291	11-41T	3.73	2.25-10		KIT 944	
A-38292	R170, S170, U170, W170	38293	11-41T	3.73	2.25-10		KIT 944	
A-38388	UDD	38389	13-31T			Q		
A-38390	UDD	38391	15-31T			Q		
A-38392-1	F130	39393	9-47T	5.22	1.38-10	N	KIT 947	No Longer Avail.
A-38392	F130	39393	9-47T	5.22	1.38-10		KIT 947	No Longer Avail.
A-38414-1	R155 (RH), SHR	37847	11-37T	3.36	2-39	N	KIT 948	
A-38414-2	R155 (RH), SHR	37847	11-37T	3.36	2-39	BR, N, R, W	KIT 948	
A-38414	R155 (RH), SHR	37847	11-37T	3.36	2-39		KIT 948	
A-38428-1	R162, R163	36257	11-37T	3.36	2.62-26		KIT 948	Use A-40158-3
A-38428-3	R155, SHR	37981	11-37T	3.36	2-39		KIT 948	Use A-40158-1
A-38428-4	R155, SHR	37981	11-37T	3.36	2-39	BR, N, R, W	KIT 948	Use A-40158-1
A-38464-1	SR280	38465	6-37T	6.17	2.35-46	N	KIT 944	No Longer Avail.
A-38464-3	RPXX180	41569	6-37T	6.17	2.35-46	N		No Longer Avail.
A-38464-4	RPXX180	41569	6-37T	6.17	2.35-46	N, BR, S		No Longer Avail.
A-38464	SR280	38465	6-37T	6.17	2.35-46		KIT 944	No Longer Avail.
A-38466-1	SR270, SR280, SU270, SU280, SW270, SW280	38467	6-41T	6.83	2.35-46	N	KIT 944	No Longer Avail.
A-38466	SR270, SR280, SU270, SU280, SW270, SW280	38467	6-41T	6.83	2.35-46		KIT 944	Repl. by A-40998
A-38484	C100 Type	38485	5-39T	7.80	1.50-11		KIT 946	No Longer Avail.

HARDWARE KEY

B - Bolt or Capscrew **BN** - Button **BR** - Bearing or Bearing Race **MN** - Metric Nut
N - Nut **Q** - Quill **R** - Retainer **RV** - Rivet
S - Shim **SG** - Spur Gear **SR** - Snap Ring or Lock Ring **W** - Washer

SPLINE SIZE KEY

T - Tapered **STR** - Straight

(1) Recommended fasteners, not included with gearset.

(gr) Ring gear

GEARSETS BY PART NUMBER

Gearset	Model	Pinion	Tooth Count	Ratio	Spline Size	Hardware Included	Gear to Case Fastener (1)	Remarks
A-38496-1	R170, S170, U170, W170	38497	11-39T	3.55	2.25-10		KIT 944	Repl. by A-38496
A-38496-4	R170, S170, U170, W170	38497	11-39T	3.55	2.25-10	BR, N, W	KIT 944	
A-38496	R170, S170, U170, W170	38497	11-39T	3.55	2.25-10	N	KIT 944	
A-38502-1	R162, R163	38671	11-41T	3.73	2.62-26	N	KIT 2393	No Longer Avail.
A-38502-2	R155, SHR	38397	11-41T	3.73	1.96-10		KIT 2393	Repl. by A-40160-4
A-38502-3	R155, SHR	38397	11-41T	3.73	1.96-10	BR, N, R, W	KIT 2393	No Longer Avail.
A-38502-4	R155, SHR	38401	11-41T	3.73	2-39		KIT 2393	No Longer Avail.
A-38502-5	R155, SHR	38401	11-41T	3.73	2-39	BR, N, R, W	KIT 2393	No Longer Avail.
A-38502-6	SHD	38503	11-41T	3.73	2.62-26		KIT 2393	No Longer Avail.
A-38502-7	SHD	38503	11-41T	3.73	2.62-26	N	KIT 2393	No Longer Avail.
A-38502-8	PR352, SPR440	38705	11-41T	3.73	2.62-26		KIT 2393	No Longer Avail.
A-38502-9	PR352, SPR440	38705	11-41T	3.73	2.62-26	N	KIT 2393	No Longer Avail.
A-38502	R162, R163	38671	11-41T	3.73	2.62-26		KIT 2393	No Longer Avail.
A-38512-1	LR100, QR100	38595	10-37T	3.70	2-39	N, W	KIT 570	
A-38520-1	LR100, QR100	38597	10-39T	3.90	2-39	N, W	KIT 570	
A-38524-1	LR100, QR100	38613	6-37T	6.17	2-39	N, W	KIT 570	Repl. by A-38828-1
A-38526-1	LR100, QR100	38615	6-41T	6.83	2-39	N, W	KIT 570	
A-38586-1	R155, SHR	38587	11-41T	3.73	2-39		KIT 2393	No Longer Avail.
A-38586-2	R155, SHR	38587	11-41T	3.73	2-39	BR, N, R, W	KIT 2393	No Longer Avail.
A-38586-3	R155, SHR	38395	11-41T	3.73	1.96-10		KIT 2393	No Longer Avail.
A-38586-4	R155, SHR	38395	11-41T	3.73	1.96-10	BR, N, R, W	KIT 2393	No Longer Avail.
A-38586-5	R155, SHR	38395	11-41T	3.73	1.96-10	N	KIT 2393	No Longer Avail.
A-38586-6	R155, SHR	38587	11-41T	3.73	2-39	BR, N, R, W	KIT 2393	Use A-40504-1
A-38586	R155, SHR	38587	11-41T	3.73	2-39	N	KIT 2393	No Longer Avail.
A-38706-1	R163	38707	13-44T	3.38	2.62-26	N		No Longer Avail.
A-38708-1	R164	38709	13-44T	3.38	2-39	N		
A-38712-1	C102, C103	37163	10-37T	3.70	1.38-10	N	KIT 947	No Longer Avail.
A-38712	C102, C103	37163	10-37T	3.70	1.38-10		KIT 947	No Longer Avail.
A-38714-1	C102, C103	36353	9-37T	4.11	1.38-10	N	KIT 947	No Longer Avail.
A-38714	C102, C103	36353	9-37T	4.11	1.38-10		KIT 947	No Longer Avail.
A-38716-1	C102, C103	36119	9-39T	4.33	1.38-10	N	KIT 947	No Longer Avail.
A-38716	C102, C103	36119	9-39T	4.33	1.38-10		KIT 947	No Longer Avail.
A-38718-1	C102, C103	35431	7-37T	5.29	1.38-10	N	KIT 947	
A-38718-2	C102, C103	35431	7-37T	5.29	1.38-10	BR, N, W	KIT 947	
A-38718	C102, C103	35431	7-37T	5.29	1.38-10		KIT 947	Use A-38718-1
A-38720-1	C102, C103	36115	6-35T	5.83	1.38-10	N	KIT 947	No Longer Avail.
A-38720	C102, C103	36115	6-35T	5.83	1.38-10		KIT 947	No Longer Avail.
A-38722-1	C102, C103	35429	5-31T	6.20	1.38-10	N	KIT 947	No Longer Avail.
A-38722-2	C102, C103	35429	5-31T	6.20	1.38-10	BR, N, W	KIT 947	
A-38722-3	PRTC203	41739	5-31T	6.20	1.49-23	N, BR, S		
A-38722	C102, C103	35429	5-31T	6.20	1.38-10		KIT 947	No Longer Avail.
A-38724-1	R170, S170, U170, W170	38725	7-39T	5.57	2.25-10	N	KIT 944	No Longer Avail.
A-38724	R170, S170, U170, W170	38725	7-39T	5.57	2.25-10		KIT 944	No Longer Avail.
A-38730-1	LR100, QR100	38731	10-41T	4.10	2-39	N, SR, W	KIT 570	Repl. by A-37562-1
A-38730	LR100, QR100	38731	10-41T	4.10	2-39		KIT 570	Repl. by A-37562

HARDWARE KEY

B - Bolt or Capscrew **BN** - Button **BR** - Bearing or Bearing Race **MN** - Metric Nut
N - Nut **Q** - Quill **R** - Retainer **RV** - Rivet
S - Shim **SG** - Spur Gear **SR** - Snap Ring or Lock Ring **W** - Washer

SPLINE SIZE KEY

T - Tapered **STR** - Straight

(1) Recommended fasteners, not included with gearset.

(gr) Ring gear

GEARSETS BY PART NUMBER

Gearset	Model	Pinion	Tooth Count	Ratio	Spline Size	Hardware Included	Gear to Case Fastener (1)	Remarks
A-38734-1	C102, C103	35427	5-34T	6.80	1.38-10	N	KIT 947	No Longer Avail.
A-38734	C102, C103	35427	5-34T	6.80	1.38-10		KIT 947	No Longer Avail.
A-38736-1	C102, C103	37341	5-36T	7.20	1.38-10	N	KIT 947	No Longer Avail.
A-38736	C102, C103	37341	5-36T	7.20	1.38-10		KIT 947	No Longer Avail.
A-38750-1	PR-700, PRC-7314	38751	6-37T	6.17	2.38-24	BR, N, R, W	KIT 945	
A-38750	PR-700, PRC-7314	38751	6-37T	6.17	2.38-24		KIT 945	
A-38756-1	H172, H173, L172, L173	38757	7-43T	6.14	1.75-34	N, SR	KIT 570	
A-38756-2	H172, H173, L172, L173	38757	7-43T	6.14	1.75-34	BR, N, SR	KIT 570	
A-38756	H172, H173, L172, L173	38757	7-43T	6.14	1.75-34		KIT 570	
A-38758-1	OAR	38759	10-41T	4.10	2-39	N, W	KIT 570	No Longer Avail.
A-38758	OAR	38759	10-41T	4.10	2-39		KIT 570	No Longer Avail.
A-38760-1	R155, SHR	38761	11-43T	3.91	2-39	N	KIT 2393	Repl. by A-40534-1
A-38760	R155, SHR	38761	11-43T	3.91	2-39		KIT 2393	Use A-40534-1
A-38774-1	RSXX120	38775	10-41T	4.10	1.75-34	MN	KIT 2320	Repl. by A-38774-4
A-38774-3	RSXX120	41599	10-41T	4.10	1.75-34		KIT 2320	
A-38774-4	RSXX120	41599	10-41T	4.10	1.75-34	MN, SR, W	KIT 2320	
A-38774	RSXX120	38775	10-41T	4.10	1.75-34		KIT 2320	Use A-38774-4
A-38784-1	RSXX120	38785	13-43T	3.31	1.75-34	MN	KIT 2320	Repl. by A-38784-4
A-38784-3	RSXX120	41601	13-43T	3.31	1.75-34		KIT 2320	Repl. by A-38784-4
A-38784-4	RSXX120	41601	13-43T	3.31	1.75-34	MN, SR, W	KIT 2320	
A-38784	RSXX120	38785	13-43T	3.31	1.75-34		KIT 2320	Use A-38784-4
A-38790-1	H172, H173, L172, L173	38791	7-41T	5.86	1.75-34	N, SR	KIT 570	
A-38790-2	H172, H173, L172, L173	38791	7-41T	5.86	1.75-34	N	KIT 570	
A-38790-3	H172, H173, L172, L173	38791	7-41T	5.86	1.75-34	BR, N, SR	KIT 570	
A-38790	H172, H173, L172, L173	38791	7-41T	5.86	1.75-34		KIT 570	
A-38796-3	RSXX180	41153	5-37T	7.40	2.35-46	MN, W	KIT 1594	Repl. by B-41002
A-38796-4	RSXX180	41153	5-37T	7.40	2.35-46		KIT 1594	Repl. by B-41002-1
A-38798-1	SHD, THD, UHD	39191	9-41T	4.56	2.62-26	N	KIT 2393	Repl. by A-40036-1
A-38798-5	FDS1800, FDS2100	40409	9-41T	4.56	2-39	N		Repl. by A-40036-5
A-38798	SHD, THD, UHD	39191	9-41T	4.56	2.62-26		KIT 2393	Use A-40036-1
A-38800-1	R155, SHR	38801	9-41T	4.56	2-39	N	KIT 2393	Repl. by A-40074-1
A-38800	R155, SHR	38801	9-41T	4.56	2-39		KIT 2393	Use A-40074-1
A-38806-1	R155, SHR	38807	10-41T	4.10	2-39	N	KIT 2393	Repl. by A-40536-1
A-38806	R155, SHR	38807	10-41T	4.10	2-39		KIT 2393	Use A-40536-1
A-38808-1	R164	39189	10-41T	4.10	2.62-26	N	KIT 2393	Repl. by A-40164-9
A-38808	R164	39189	10-41T	4.10	2.62-26		KIT 2393	Use A-40164-1
A-38810-1	R155, SHR	38811	10-43T	4.30	2-39	N	KIT 2393	Repl. by A-40542-1
A-38810	R155, SHR	38811	10-43T	4.30	2-39		KIT 2393	Use A-40542-1
A-38812-1	R164	39187	10-43T	4.30	2.62-26	N	KIT 2393	Repl. by A-40170-1
A-38812	R164	39187	10-43T	4.30	2.62-26		KIT 2393	Use A-40170-1
A-38814-1	R164	39183	11-43T	3.91	2.62-26	N	KIT 2393	Repl. by A-40162-1
A-38814	R164	39183	11-43T	3.91	2.62-26		KIT 2393	Use A-40162-1
A-38816-1	H172, H173, L172, L173	38817	9-41T	4.56	1.75-34	N	KIT 570	No Longer Avail.

HARDWARE KEY

B - Bolt or Capscrew **BN** - Button **BR** - Bearing or Bearing Race **MN** - Metric Nut
N - Nut **Q** - Quill **R** - Retainer **RV** - Rivet
S - Shim **SG** - Spur Gear **SR** - Snap Ring or Lock Ring **W** - Washer

SPLINE SIZE KEY

T - Tapered **STR** - Straight

(1) Recommended fasteners, not included with gearset.

(gr) Ring gear

GEARSETS BY PART NUMBER

Gearset	Model	Pinion	Tooth Count	Ratio	Spline Size	Hardware Included	Gear to Case Fastener (1)	Remarks
A-38816	H172, H173, L172, L173	38817	9-41T	4.56	1.75-34		KIT 570	No Longer Avail.
A-38818-1	H172, H173, L172, L173	38819	8-43T	5.38	1.75-34	N, SR	KIT 570	Repl. by A-35776-9
A-38818	H172, H173, L172, L173	38819	8-43T	5.38	1.75-34		KIT 570	Repl. by A-35776-8
A-38822-1	LR100, QR100	38823	7-41T	5.86	2-39	N, SR, W	KIT 570	Repl. by A-37374-1
A-38822	LR100, QR100	38823	7-41T	5.86	2-39		KIT 570	Repl. by A-37374
A-38824-1	QHP, SL100, SQ100	38825	7-41T	5.86	2.10-41	N, SR	KIT 570	Repl. by A-37394-1
A-38824	QHP, SL100, SQ100	38825	7-41T	5.86	2.10-41		KIT 570	Use A-37394-1
A-38826-1	QAR	38827	7-43T	6.14	2-39	N, W	KIT 570	No Longer Avail.
A-38826	QAR	38827	7-43T	6.14	2-39		KIT 570	No Longer Avail.
A-38828-1	LR100, QR100	38829	7-43T	6.14	2-39	N, W	KIT 570	
A-38828	LR100, QR100	38829	7-43T	6.14	2-39		KIT 570	
A-38830-1	QHP, SL100, SQ100	38831	7-43T	6.14	2.10-41	N, SR	KIT 570	Repl. by A-38242-1
A-38830	QHP, SL100, SQ100	38831	7-43T	6.14	2.10-41		KIT 570	Repl. by A-38242
A-38832-1	LR100, QR100	38833	6-43T	7.17	2-39	N, W	KIT 570	Repl. by A-37308-1
A-38832	LR100, QR100	38833	6-43T	7.17	2-39		KIT 570	Repl. by A-37308
A-38834-1	QHP, SL100, SQ100	38835	6-43T	7.17	2.10-41	N, SR	KIT 570	
A-38834-2	QHP, SL100, SQ100	38835	6-43T	7.17	2.10-41	BR	KIT 570	
A-38834	QHP, SL100, SQ100	38835	6-43T	7.17	2.10-41		KIT 570	
A-38836-1	QHP, SL100, SQ100	38837	10-41T	4.10	2.10-41	N, SR	KIT 570	Repl. by A-37494-2
A-38836	QHP, SL100, SQ100	38837	10-41T	4.10	2.10-41		KIT 570	Repl. by A-37494
A-38838-1	RSXX180	39107	12-41T	3.42	2.35-46	MN	KIT 1594	Repl. by B-41004-4
A-38838	RSXX180	39107	12-41T	3.42	2.35-46		KIT 1594	Repl. by B-41004-4
A-38840-1	RSXX180	39105	11-43T	3.91	2.35-46	MN	KIT 1594	Repl. by B-41006-4
A-38840	RSXX180	39105	11-43T	3.91	2.35-46		KIT 1594	Use B-41006-4
A-38842-1	RSXX180	39101	9-41T	4.56	2.35-46	MN	KIT 1594	Repl. by B-41008-4
A-38842	RSXX180	39101	9-41T	4.56	2.35-46		KIT 1594	Use B-41008-4
A-38844-1	RSXX180	39099	8-41T	5.13	2.35-46	MN	KIT 1594	Repl. by B-41010-4
A-38844	RSXX180	39099	8-41T	5.13	2.35-46		KIT 1594	No Longer Avail.
A-38846-1	RSXX180	39097	7-41T	5.86	2.35-46	MN	KIT 1594	Repl. by B-41012-3
A-38846	RSXX180	39097	7-41T	5.86	2.35-46		KIT 1594	No Longer Avail.
A-38872-1	C103	38873	7-41T	5.86	1.38-10	N		No Longer Avail.
A-38874-1	C102, C103	38875	7-43T	6.14	1.38-10	N	KIT 947	No Longer Avail.
A-38874	C102, C103	38875	7-43T	6.14	1.38-10		KIT 947	No Longer Avail.
A-3889-C-159	SD353, SD354, SD454, SD500	3890N326	10-23T		2.02-10			Pinion internal spline-L.H.
A-3889-D-160	F410	34649	9-22T		1.95-10	N		No Longer Avail.
A-3889-D-264	72300	3890F344	10-21T		1.74-10	N		RH Pinion
A-3889-E-213	SD440, SD460	3890S97	11-26T		2.02-10			No Longer Avail.
A-3889-E-265	1357W	3890G345	11-23T		1.94-10	N		RH Pinion
A-3889-E-291	72300	3890E343	9-21T		1.74-10	N		No Longer Avail.
A-3889-E-83	75200	3890D4	9-21T		1.50T	N		No Longer Avail.
A-3889-F-240	L300	3890W309	9-29T		1.74-10			LH Pinion-repl by A35458
A-3889-F-292	72300	3890F344	10-21T		1.74-10	N		RH Pinion
A-3889-F-32	79740	34899	12-25T		2.23-10	N		
A-3889-H-242	Q300	3890X310	9-28T		1.87-10			LH Pinion-repl by A35454
A-3889-L-272	SRDD	35503	11-27T		2.75-10	Q		

HARDWARE KEY

B - Bolt or Capscrew **BN** - Button **BR** - Bearing or Bearing Race **MN** - Metric Nut
N - Nut **Q** - Quill **R** - Retainer **RV** - Rivet
S - Shim **SG** - Spur Gear **SR** - Snap Ring or Lock Ring **W** - Washer

SPLINE SIZE KEY

T - Tapered **STR** - Straight

(1) Recommended fasteners, not included with gearset.

(gr) Ring gear

GEARSETS BY PART NUMBER

Gearset	Model	Pinion	Tooth Count	Ratio	Spline Size	Hardware Included	Gear to Case Fastener (1)	Remarks
A-3889-M-221	E300	3890C289	8-23T		1.49-10	N		
A-3889-M-273	79740	34899	12-25T		2.23-10	N		LH Pinion
A-3889-N-326X	PROJ 0423	3890V464X	7-43T		2.37-14	N		No Longer Avail.
A-3889-R-252	E300	3890S331	7-22T		1.49-10	N		LH Pinion
A-3889-S-201	S300	3890K297	9-25T		1.97-10	N		
A-3889-T-306	PR35	3890D420	6-35T	5.83	1.37T		KIT 946	RH Pinion
A-3889-W-179	F320	3890S253	9-22T		1.99-10	N		No Longer Avail.
A-3889-W-205		3890T280	9-26T		1.75-10			No Longer Avail.
A-3889-W-283	F3310	3890A391	13-23T		1.94-10	N		
A-3889-W-75	SD440, SD460	3890S97	11-26T		2.02-10			No Longer Avail.
A-3889-X-206	1100	3890U281	9-25T		1.90-10			Repl. by A-35406
A-3889-X-50	76733	34631	10-23T		1.95-10	N		
A-3889-Y-311	PROJ 2801-3	3890Q433	6-34T	5.67		BR, SR		Repl. by A-40500-1
A-3889-Z-286		3890M351	9-22T		1.94-10	N		No Longer Avail.
A-3889-Z-52	76736	34619	12-23T		1.95-10	N		
A-38928-3	RSXX120	41603	7-41T	5.86	1.75-34		KIT 2320	
A-38928-4	RSXX120	41603	7-41T	5.86	1.75-34	MN, SR, W	KIT 2320	
A-38954-2	RRXX160, RSXX160	39477	11-41T	3.73	2.35-46		KIT 2426	Repl. by A-39906-5
A-38954-3	RRXX160, RSXX160	39477	11-41T	3.73	2.35-46	MN	KIT 2426	Repl. by A-39906-6
A-38954-4	RRXX160, RSXX160	40231	11-41T	3.73	2.35-46		KIT 2426	Use A-39906-6
A-38954-5	RRXX160, RSXX160	40231	11-41T	3.73	2.35-46	MN	KIT 2426	Repl. by A-39906-6
A-38956-1	RRXX160, RSXX160	39479	10-43T	4.30	2.35-46		KIT 2426	No Longer Avail.
A-38956-2	RRXX160, RSXX160	39479	10-43T	4.30	2.35-46	MN	KIT 2426	No Longer Avail.
A-38956-3	RRXX160, RSXX160	40233	10-43T	4.30	2.35-46		KIT 2426	No Longer Avail.
A-38956-4	RRXX160, RSXX160	40233	10-43T	4.30	2.35-46	MN	KIT 2426	No Longer Avail.
A-38960-2	RSXX160	39483	8-41T	5.13	2.35-46	N, W		No Longer Avail.
A-38988-1	RSXX120	38989	11-41T	3.73	1.75-34	MN	KIT 2320	Repl. by A-38988-4
A-38988-3	RSXX120	41605	11-41T	3.73	1.75-34		KIT 2320	Use A-38988-4
A-38988-4	RSXX120	41605	11-41T	3.73	1.75-34	MN, SR, W	KIT 2320	
A-38988	RSXX120	38989	11-41T	3.73	1.75-34		KIT 2320	Use A-38988-4
A-38990-1	RSXX120	38991	9-41T	4.56	1.75-34	MN	KIT 2320	Repl. by A-38990-4
A-38990-3	RSXX120	41607	9-41T	4.56	1.75-34		KIT 2320	Use A-38990-4
A-38990-4	RSXX120	41607	9-41T	4.56	1.75-34	MN, SR, W	KIT 2320	
A-38990	RSXX120	38991	9-41T	4.56	1.75-34		KIT 2320	Use A-38990-4
A-38992-1	RSXX120	38993	8-39T	4.88	1.75-34	MN	KIT 2320	Repl. by A-38992-4
A-38992-3	RSXX120	41609	8-39T	4.88	1.75-34		KIT 2320	Use A-38992-4
A-38992-4	RSXX120	41609	8-39T	4.88	1.75-34	MN, SR, W	KIT 2320	
A-38992	RSXX120	38993	8-39T	4.88	1.75-34		KIT 2320	Use A-38992-4
A-38994-1	RSXX120	38995	8-41T	5.13	1.75-34	MN	KIT 2320	Repl. by A-38994-4
A-38994-3	RSXX120	41611	8-41T	5.13	1.75-34		KIT 2320	Use A-38994-4
A-38994-4	RSXX120	41611	8-41T	5.13	1.75-34	MN, SR, W	KIT 2320	
A-38994	RSXX120	38995	8-41T	5.13	1.75-34		KIT 2320	Use A-38994-4
A-38996-1	RSXX120	38997	7-39T	5.57	1.75-34	N, W		Repl. by A-38996-4
A-38996-3	RSXX120	41613	7-39T	5.57	1.75-34		KIT 2320	
A-38996-4	RSXX120	41613	7-39T	5.57	1.75-34	MN, SR, W	KIT 2320	
A-39004-1	R164	38889	8-43T	5.38	2-39	N	KIT 2393	Repl. by A-40088-1
A-39004	R164	38889	8-43T	5.38	2-39		KIT 2393	Use A-40088-1
A-39006-1	R155, SHR	39193	6-44T	7.33	2-39	N	KIT 2393	Repl. by A-40682-1
A-39006	R155, SHR	39193	6-44T	7.33	2-39		KIT 2393	Use A-40682-1
A-39016-1	SHD, THD, UHD	39185	8-43T	5.38	2.62-26	N	KIT 2393	Repl. by A-40046-1

HARDWARE KEY

B - Bolt or Capscrew **BN** - Button **BR** - Bearing or Bearing Race **MN** - Metric Nut
N - Nut **Q** - Quill **R** - Retainer **RV** - Rivet
S - Shim **SG** - Spur Gear **SR** - Snap Ring or Lock Ring **W** - Washer

SPLINE SIZE KEY

T - Tapered **STR** - Straight

(1) Recommended fasteners, not included with gearset.

(gr) Ring gear

GEARSETS BY PART NUMBER

Gearset	Model	Pinion	Tooth Count	Ratio	Spline Size	Hardware Included	Gear to Case Fastener (1)	Remarks
A-39016	SHD, THD, UHD	39185	8-43T	5.38	2.62-26		KIT 2393	Use A-40046-1
A-39018-1	SHD, THD, UHD	39197	6-44T	7.33	2.62-26	N	KIT 2393	Repl. by A-40502-1
A-39018	SHD, THD, UHD	39197	6-44T	7.33	2.62-26		KIT 2393	Use A-40502-1
A-39090-1	RSXX180	39103	10-43T	4.30	2.35-46	MN	KIT 1594	Repl. by B-41014-4
A-39090	RSXX180	39103	10-43T	4.30	2.35-46		KIT 1594	Use B-41014-4
A-39112-1	RSXX180	39111	11-41T	3.73	2.35-46	MN	KIT 1594	Repl. by B-41016-4
A-39112	RSXX180	39111	11-41T	3.73	2.35-46		KIT 1594	No Longer Avail.
A-39114-1	RSXX180	39113	10-41T	4.10	2.35-46	MN	KIT 1594	Repl. by B-41018-4
A-39114	RSXX180	39113	10-41T	4.10	2.35-46		KIT 1594	Use B-41018-4
A-39122-1	RRXX160, RSXX160	39485	11-43T	3.91	2.35-46		KIT 2426	No Longer Available
A-39122-2	RRXX160, RSXX160	39485	11-43T	3.91	2.35-46	MN	KIT 2426	No Longer Avail.
A-39122-3	RRXX160, RSXX160	40245	11-43T	3.91	2.35-46		KIT 2426	No Longer Avail.
A-39122-4	RRXX160, RSXX160	40245	11-43T	3.91	2.35-46	MN	KIT 2426	No Longer Avail.
A-39124-1	RRXX160, RSXX160	39487	10-41T	4.10	2.35-46		KIT 2426	No Longer Avail.
A-39124-2	RRXX160, RSXX160	39487	10-41T	4.10	2.35-46	MN	KIT 2426	No Longer Avail.
A-39124-3	RRXX160, RSXX160	40247	10-41T	4.10	2.35-46		KIT 2426	No Longer Avail.
A-39124-4	RRXX160, RSXX160	40247	10-41T	4.10	2.35-46	MN	KIT 2426	No Longer Avail.
A-39166-1	QAR	39167	11-41T	3.73	2-39	N, W	KIT 570	
A-39166	QAR	39167	11-41T	3.73	2-39		KIT 570	No Longer Avail.
A-39168-1	LR100, QR100	39169	11-41T	3.73	2-39	N, W, SR	KIT 570	No Longer Avail.
A-39170-1	OHP, SL100, SQ100	39171	11-41T	3.73	2.1-41	N, SR	KIT 570	Repl. by A-41816-1
A-39206-1	H172, H173, L172, L173	39207	8-39T	4.88	1.75-34	N	KIT 570	
A-39206	H172, H173, L172, L173	39207	8-39T	4.88	1.75-34		KIT 570	
A-39264-1	R162, R163	39263	12-40T	3.33	2.62-26	N	KIT 948	Repl. by A-40684-1
A-39264	R162, R163	39263	12-40T	3.33	2.62-26		KIT 948	Use A-40684-1
A-39266-1	R164	39265	12-40T	3.33	2-39	N	KIT 948	No Longer Avail.
A-39266	R164	39265	12-40T	3.33	2-39		KIT 948	No Longer Avail.
A-39296-1	59700 Series	39297	8-41T	5.13	2.50-16	N	KIT 2464	
A-39296	59700 Series	39297	8-41T	5.13	2.50-16		KIT 2464	
A-39298-1	59732, 59733	39299	8-43T	5.38	2.50-16	N	KIT 2464	
A-39298	59700 Series	39299	8-43T	5.38	2.50-16		KIT 2464	
A-39300-1	59700 Series	39301	8-47T	5.88	2.50-16	N	KIT 2464	No Longer Avail.
A-39300	59700 Series	39301	8-47T	5.88	2.50-16		KIT 2464	No Longer Avail.
A-39380-1	RRXX160, RSXX160	39481	8-37T	4.89	2.35-46		KIT 2426	Repl. by A-40024-6
A-39380-2	RRXX160, RSXX160	39481	8-37T	4.89	2.35-46	MN	KIT 2426	Repl. by A-40024-6
A-39380-3	RRXX160, RSXX160	40235	8-37T	4.89	2.35-46		KIT 2426	Repl. by A-40024-6
A-39380-4	RRXX160, RSXX160	40235	8-37T	4.89	2.35-46	MN	KIT 2426	Repl. by A-40024-6
A-39382-1	RSXX120	39381	6-41T	6.83	1.75-34	MN	KIT 2320	Repl. by A-39382-3
A-39382-3	RSXX120	41617	6-41T	6.83	1.75-34		KIT 2320	
A-39382-4	RSXX120	41617	6-41T	6.83	1.75-34	MN, SR, W	KIT 2320	
A-39382	RSXX120	39381	6-41T	6.83	1.75-34		KIT 2320	Use A-39382-3
A-39392-1	RRXX160, RSXX160	39489	8-45T	5.63	2.35-46		KIT 2426	No Longer Avail.
A-39392-2	RRXX160, RSXX160	39489	8-45T	5.63	2.35-46	MN	KIT 2426	No Longer Avail.
A-39392-3	RRXX160, RSXX160	40239	8-45T	5.63	2.35-46		KIT 2426	Use A-40106-1
A-39392-4	RRXX160, RSXX160	40239	8-45T	5.63	2.35-46	MN	KIT 2426	Repl. by A-40106-6
A-39396-1	RRXX160, RSXX160	39395	14-43T	3.07	2.35-46	MN	KIT 2426	Repl. by A-39898-6
A-39396-2	RRXX160, RSXX160	40253	14-43T	3.07	2.35-46		KIT 2426	Repl. by A-39898-6
A-39396-3	RRXX160, RSXX160	40253	14-43T	3.07	2.35-46	MN	KIT 2426	Repl. by A-39898-6
A-39396	RRXX160, RSXX160	39395	14-43T	3.07	2.35-46		KIT 2426	Repl. by A-39898-6

HARDWARE KEY

B - Bolt or Capscrew **BN** - Button **BR** - Bearing or Bearing Race **MN** - Metric Nut
N - Nut **Q** - Quill **R** - Retainer **RV** - Rivet
S - Shim **SG** - Spur Gear **SR** - Snap Ring or Lock Ring **W** - Washer

SPLINE SIZE KEY

T - Tapered **STR** - Straight

(1) Recommended fasteners, not included with gearset.

(gr) Ring gear

GEARSETS BY PART NUMBER

Gearset	Model	Pinion	Tooth Count	Ratio	Spline Size	Hardware Included	Gear to Case Fastener (1)	Remarks
A-39398-1	RRXX160, RSXX160	39397	12-41T	3.42	2.35-46	MN	KIT 2426	No Longer Avail.
A-39398-2	RRXX160, RSXX160	40229	12-41T	3.42	2.35-46		KIT 2426	Repl. by A-39902-6
A-39398-3	RRXX160, RSXX160	40229	12-41T	3.42	2.35-46	MN	KIT 2426	Repl. by A-39902-6
A-39398	RRXX160, RSXX160	39397	12-41T	3.42	2.35-46		KIT 2426	No Longer Avail.
A-39400-1	RSXX160	39399	7-41T	5.86	2.35-46	N		No Longer Avail.
A-39402-1	RRXX160, RSXX160	39401	7-43T	6.14	2.35-46	MN	KIT 2426	No Longer Avail.
A-39402-2	RRXX160, RSXX160	40241	7-43T	6.14	2.35-46		KIT 2426	No Longer Avail.
A-39402-3	RRXX160, RSXX160	40241	7-43T	6.14	2.35-46	MN	KIT 2426	Repl. by A-40110-6
A-39402	RRXX160, RSXX160	39401	7-43T	6.14	2.35-46		KIT 2426	Repl. by A-40110-6
A-39404-1	RSXX180	39403	14-43T	3.07	2.35-46	MN	KIT 1594	No Longer Avail.
A-39404	RSXX180	39403	14-43T	3.07	2.35-46		KIT 1594	No Longer Avail.
A-39420-1	RSXX180	39419	14-45T	3.21	2.35-46	MN	KIT 1594	Repl. by B-41026-4
A-39420	RSXX180	39419	14-45T	3.21	2.35-46		KIT 1594	Repl. by B-41026-2
A-39424-1	LR100, QR100	39433	12-41T	3.42	2-39	N, W, SR	KIT 570	Repl. by A-41818-1
A-39424	LR100, QR100	39433	12-41T	3.42	2-39		KIT 570	Use A-41818-1
A-39434-1	RSXX180	39435	8-43T	5.38	2.35-46	MN	KIT 1594	Repl. by B-41028-4
A-39434	RSXX180	39435	8-43T	5.38	2.35-46		KIT 1594	Repl. by B-41028-2
A-39436-1	RSXX180	39437	12-43T	3.58	2.35-46	MN	KIT 1594	Repl. by B-41030-4
A-39436	RSXX180	39437	12-43T	3.58	2.35-46		KIT 1594	Repl. by B-41030-2
A-39438-1	RX160	39439	9-41T	4.56	2.35-46	MN	KIT 2125	3200-W-1401 Carrier
A-39438	RX160	39439	9-41T	4.56	2.35-46		KIT 2125	3200-W-1401 Carrier
A-39440-1	RX160	39441	8-43T	5.38	2.35-46	MN	KIT 2125	3200-W-1401 Carrier
A-39440	RX160	39441	8-43T	5.38	2.35-46		KIT 2125	3200-W-1401 Carrier
A-39442-1	RX160	39443	14-45T	3.21	2.35-46	MN	KIT 2125	3200-W-1401 Carrier
A-39442	RX160	39443	14-45T	3.21	2.35-46		KIT 2125	3200-W-1401 Carrier
A-39444-1	RX160	39445	12-43T	3.58	2.35-46	MN	KIT 2125	3200-W-1401 Carrier
A-39444	RX160	39445	12-43T	3.58	2.35-46		KIT 2125	3200-W-1401 Carrier
A-39446-1	QHP, SL100, SQ100	39447	12-41T	3.42	2.10-41	N, SR	KIT 570	Repl. by A-41814-1
A-39446-2	QHP, SL100, SQ100	39447	12-41T	3.42	2.10-41	BR, N, SR	KIT 570	Repl. by A-41814-2
A-39446	QHP, SL100, SQ100	39447	12-41T	3.42	2.10-41		KIT 570	Use A-41814-1
A-39448-1	D142	39449K2	9-40T	4.44	1.50-10	N, BR, SR		
A-39448	D142	39449K2	9-40T	4.44	1.50-10			Use A-39448-1
A-39452	PR10254	39453	10-41T	4.10	3-59	N, W		No Longer Avail.
A-39460-1	RRXX160, RSXX160	39459	14-45T	3.21	2.35-46	MN	KIT 2426	Repl. by A-39900-6
A-39460-2	RRXX160, RSXX160	40257	14-45T	3.21	2.35-46		KIT 2426	Use A-39900-6
A-39460-3	RRXX160, RSXX160	40257	14-45T	3.21	2.35-46	MN	KIT 2426	Repl. by A-39900-6
A-39460	RRXX160, RSXX160	39459	14-45T	3.21	2.35-46		KIT 2426	Use A-39900-6
A-39464-1	RRXX160, RSXX160	39463	12-43T	3.58	2.35-46	MN	KIT 2426	Repl. by A-39904-6
A-39464-2	RRXX160, RSXX160	40259	12-43T	3.58	2.35-46		KIT 2426	Use A-39904-6
A-39464-3	RRXX160, RSXX160	40259	12-43T	3.58	2.35-46	MN	KIT 2426	Repl. by A-39904-6
A-39464	RRXX160, RSXX160	39463	12-43T	3.58	2.35-46		KIT 2426	Use A-39904-6
A-39474-1	RRXX160, RSXX160	39473	6-41T	6.83	2.35-46	MN	KIT 2426	No Longer Avail.
A-39474-2	RRXX160, RSXX160	40243	6-41T	6.83	2.35-46		KIT 2426	Repl. by A-41066-2
A-39474-3	RRXX160, RSXX160	40243	6-41T	6.83	2.35-46	MN	KIT 2426	Repl. by A-41066-2
A-39474	RRXX160, RSXX160	39473	6-41T	6.83	2.35-46		KIT 2426	No Longer Avail.
A-39476-1	RRXX160, RSXX160	39475	6-43T	7.17	2.35-46	MN	KIT 2426	No Longer Avail.
A-39476-2	RRXX160, RSXX160	40251	6-43T	7.17	2.35-46		KIT 2426	Use A-40122-6
A-39476-3	RRXX160, RSXX160	40251	6-43T	7.17	2.35-46	MN	KIT 2426	Repl. by A-40122-6
A-39476	RRXX160, RSXX160	39475	6-43T	7.17	2.35-46		KIT 2426	No Longer Avail.
A-39490-1	RSXX180	39491	8-45T	5.63	2.35-46	MN	KIT 2601	Repl. by B-41032-4
A-39490	RSXX180	39491	8-45T	5.63	2.35-46		KIT 2601	No Longer Avail.
A-39492-1	RSXX180	39493	9-44T	4.89	2.35-46	MN	KIT 2601	Repl. by B-41034-4
A-39492	RSXX180	39493	9-44T	4.89	2.35-46		KIT 2601	Use B-41034-4

HARDWARE KEY

B - Bolt or Capscrew **BN** - Button **BR** - Bearing or Bearing Race **MN** - Metric Nut
N - Nut **Q** - Quill **R** - Retainer **RV** - Rivet
S - Shim **SG** - Spur Gear **SR** - Snap Ring or Lock Ring **W** - Washer

SPLINE SIZE KEY

T - Tapered **STR** - Straight

(1) Recommended fasteners, not included with gearset.

(gr) Ring gear

GEARSETS BY PART NUMBER

Gearset	Model	Pinion	Tooth Count	Ratio	Spline Size	Hardware Included	Gear to Case Fastener (1)	Remarks
A-39494-1	RSXX180	39495	6-43T	7.17	2.35-46	MN	KIT 2601	Repl. by B-41020-2
A-39494-7	RRXX180, RSXX180	41155	6-43T	7.17	2.35-46	N, W		Repl. by B-41020-1
A-39494	RSXX180	39495	6-43T	7.17	2.35-46		KIT 2601	No Longer Avail.
A-39496-1	RSXX120	39497	6-43T	7.17	1.75-34	MN	KIT 2320	Repl. by A-39496-3
A-39496-2	RSXX120	41619	6-43T	7.17	1.75-34		KIT 2320	Use A-39496-3
A-39496-3	RSXX120	41619	6-43T	7.17	1.75-34	MN, SR, W	KIT 2320	
A-39496	RSXX120	39497	6-43T	7.17	1.75-34		KIT 2320	Use A-39496-3
A-39498-1	RSXX120	39499	7-43T	6.14	1.75-34	MN	KIT 2320	Repl. by A-39498-3
A-39498-2	RSXX120	41621	7-43T	6.14	1.75-34		KIT 2320	Use A-39498-3
A-39498-3	RSXX120	41621	7-43T	6.14	1.75-34	MN, SR, W	KIT 2320	
A-39498	RSXX120	39499	7-43T	6.14	1.75-34		KIT 2320	Use A-39498-3
A-39500-1	RSXX120	39501	7-37T	5.29	1.75-34	MN	KIT 2320	Repl. by A-39500-3
A-39500-2	RSXX120	41623	7-37T	5.29	1.75-34		KIT 2320	Use A-39500-3
A-39500-3	RSXX120	41623	7-37T	5.29	1.75-34	MN, SR, W	KIT 2320	
A-39500	RSXX120	39501	7-37T	5.29	1.75-34		KIT 2320	Use A-39500-3
A-39502-1	RSXX120	39503	10-43T	4.30	1.75-34	MN	KIT 2320	Repl. by A-39502-4
A-39502-3	RSXX120	41625	10-43T	4.30	1.75-34		KIT 2320	Use A-39502-4
A-39502-4	RSXX120	41625	10-43T	4.30	1.75-34	MN, SR, W	KIT 2320	
A-39502	RSXX120	39503	10-43T	4.30	1.75-34		KIT 2320	Use A-39502-4
A-39504-3	RSXX120	41627	11-43T	3.91	1.75-34		KIT 2320	
A-39504-4	RSXX120	41627	11-43T	3.91	1.75-34	SR	KIT 2320	
A-39506-1	RRXX160, RSXX160	39507	7-45T	6.43	2.35-46	MN	KIT 2426	Repl. by A-40116-6
A-39506-2	RRXX160, RSXX160	40255	7-45T	6.43	2.35-46		KIT 2426	Use A-40116-6
A-39506-3	RRXX160, RSXX160	40255	7-45T	6.43	2.35-46		KIT 2426	Repl. by A-40116-6
A-39506	RRXX160, RSXX160	39507	7-45T	6.43	2.35-46		KIT 2426	Use A-40116-6
A-39508-1	RSXX180	39509	6-41T	6.83	2.35-46	MN	KIT 1594	Repl. by B-41022-2
A-39508	RSXX180	39509	6-41T	6.83	2.35-46		KIT 1594	No Longer Avail.
A-39510-1	RSXX180	39511	7-45T	6.43	2.35-46	MN	KIT 1594	Repl. by A-41024-4
A-39510	RSXX180	39511	7-45T	6.43	2.35-46		KIT 1594	No Longer Avail.
A-39526-1	RRXX160, RSXX160	39525	9-41T	4.56	2.35-46	MN	KIT 2426	No Longer Avail.
A-39526-2	RRXX160, RSXX160	40261	9-41T	4.56	2.35-46		KIT 2426	No Longer Avail.
A-39526-3	RRXX160, RSXX160	40261	9-41T	4.56	2.35-46	MN	KIT 2426	No Longer Avail.
A-39526-9	RSXX160	39525	9-41T	4.56	2.35-48	MN, W		
A-39526	RRXX160, RSXX160	39525	9-41T	4.56	2.35-46		KIT 2426	No Longer Avail.
A-39532-1	RRXX160, RSXX160	39531	8-43T	5.38	2.35-46	MN	KIT 2426	Repl. by A-40104-6
A-39532-2	RRXX160, RSXX160	40263	8-43T	5.38	2.35-46		KIT 2426	Use A-40104-6
A-39532-3	RSXX160	40263	8-43T	5.38	2.35-46	N		Repl. by B-40104-6
A-39532-4	RRXX160, RSXX160	40263	8-43T	5.38	2.35-46	MN	KIT 2426	Repl. by A-40104-6
A-39532	RRXX160, RSXX160	39531	8-43T	5.38	2.35-46		KIT 2426	Use A-40104-6
A-39630-1	RRXX145, RSXX145	39629	14-43T	3.07	2-39	MN	KIT 2317	Repl. by A-41494-1
A-39630-3	RSXX140	39631	14-43T	3.07	1.75-34	N		No Longer Avail.
A-39630	RRXX145, RSXX145	39629	14-43T	3.07	2-39		KIT 2317	Use A-41494-1
A-39632-1	RRXX145, RSXX145	39633	14-45T	3.21	2-39	MN	KIT 2317	Repl. by A-41496-1
A-39632-2	RSXX140	39635	14-45T	3.21	1.75-34		KIT 2317	No Longer Avail.
A-39632-3	RSXX140	39635	14-45T	3.21	1.75-34	MN	KIT 2317	No Longer Avail.
A-39632	RRXX145, RSXX145	39633	14-45T	3.21	2-39		KIT 2317	Use A-41496-1
A-39634-1	RRXX145, RSXX145	39637	12-41T	3.42	2-39	MN	KIT 2317	Repl. by B-41530-1
A-39634-2	RSXX140	39639	12-41T	3.42	1.75-34		KIT 2317	Use A-41164-3
A-39634-3	RSXX140	39639	12-41T	3.42	1.75-34	MN	KIT 2317	Repl. by A-41164-3
A-39634	RRXX145, RSXX145	39637	12-41T	3.42	2-39		KIT 2317	Use B-41530-1
A-39638-1	RRXX145, RSXX145	39645	11-41T	3.73	2-39	MN	KIT 2317	Repl. by B-41534-1
A-39638-2	RSXX140	39647	11-41T	3.73	1.75-34		KIT 2317	Use A-41500-3
A-39638-3	RSXX140	39647	11-41T	3.73	1.75-34	MN	KIT 2317	Repl. by A-41500-3

HARDWARE KEY

B - Bolt or Capscrew **BN** - Button **BR** - Bearing or Bearing Race **MN** - Metric Nut
N - Nut **Q** - Quill **R** - Retainer **RV** - Rivet
S - Shim **SG** - Spur Gear **SR** - Snap Ring or Lock Ring **W** - Washer

SPLINE SIZE KEY

T - Tapered **STR** - Straight

(1) Recommended fasteners, not included with gearset.

(gr) Ring gear

GEARSETS BY PART NUMBER

Gearset	Model	Pinion	Tooth Count	Ratio	Spline Size	Hardware Included	Gear to Case Fastener (1)	Remarks
A-39638	RRXX145, RSXX145	39645	11-41T	3.73	2-39		KIT 2317	Use B-41534-1
A-39640-1	RRXX145, RSXX145	39649	10-41T	4.10	2-39	MN	KIT 2317	Repl. by B-41538-1
A-39640-2	RSXX140	39651	10-41T	4.10	1.75-34		KIT 2426	Use A-41504-3
A-39640-3	RSXX140	39651	10-41T	4.10	1.75-34	MN	KIT 2426	Repl. by A-41504-3
A-39640	RRXX145, RSXX145	39649	10-41T	4.10	2-39		KIT 2317	Use B-41538-1
A-39646-1	RRXX145, RSXX145	39661	8-39T	4.88	2-39	MN	KIT 2317	Repl. by B-41544-1
A-39646-2	RSXX140	39663	8-39T	4.88	1.75-34		KIT 2317	Use A-41270-3
A-39646-3	RSXX140	39663	8-39T	4.88	1.75-34	MN	KIT 2317	Repl. by A-41270-3
A-39646	RRXX145, RSXX145	39661	8-39T	4.88	2-39		KIT 2317	Use B-41544-1
A-39648-1	RRXX145, RSXX145	39665	7-37T	5.29	2-39	MN	KIT 2317	Repl. by B-41548-1
A-39648-2	RSXX140	39667	7-37T	5.29	1.75-34		KIT 2317	Use A-41274-3
A-39648-3	RSXX140	39667	7-37T	5.29	1.75-34	MN	KIT 2317	Repl. by A-41274-3
A-39648	RRXX145, RSXX145	39665	7-37T	5.29	2-39		KIT 2317	Use B-41548-1
A-39650-1	RRXX145, RSXX145	39669	7-43T	6.14	2-39	MN	KIT 2317	Repl. by B-41554-1
A-39650-2	RSXX140	39671	7-43T	6.14	1.75-34		KIT 2317	
A-39650-3	RSXX140	39671	7-43T	6.14	1.75-34	MN	KIT 2317	
A-39650	RRXX145, RSXX145	39669	7-43T	6.14	2-39		KIT 2317	Use B-41554-1
A-39652-1	RRXX145, RSXX145	39673	6-43T	7.17	2-39	MN	KIT 2317	Repl. by B-41560-1
A-39652-2	RSXX140	39675	6-43T	7.17	1.75-34		KIT 2317	Use A-41464-3
A-39652-3	RSXX140	39675	6-43T	7.17	1.75-34	MN	KIT 2317	Repl. by A-41464-3
A-39652	RRXX145, RSXX145	39673	6-43T	7.17	2-39		KIT 2317	Use B-41560-1
A-39654-1	RDXX160, RPXX160	39871	14-43T	3.07	2.50-50	MN	KIT 2426	
A-39654	RDXX160, RPXX160	39871	14-43T	3.07	2.50-50		KIT 2426	
A-39656-1	RDXX160, RPXX160	39873	14-45T	3.21	2.50-50	MN	KIT 2426	
A-39656	RDXX160, RPXX160	39873	14-45T	3.21	2.50-50		KIT 2426	Repl. by B-39656
A-39658-1	RDXX160, RPXX160	39875	12-41T	3.42	2.50-50	MN	KIT 2426	
A-39658	RDXX160, RPXX160	39875	12-41T	3.42	2.50-50		KIT 2426	
A-39660-1	RDXX160, RPXX160	39877	12-43T	3.58	2.50-50	MN	KIT 2426	
A-39660	RDXX160, RPXX160	39877	12-43T	3.58	2.50-50		KIT 2426	
A-39662-1	RDXX160, RPXX160	39879	11-41T	3.73	2.50-50	MN	KIT 2426	
A-39662	RDXX160, RPXX160	39879	11-41T	3.73	2.50-50		KIT 2426	
A-39664-1	RDXX160, RPXX160	39889	9-44T	4.89	2.50-50	MN	KIT 2426	
A-39664-3	RSXX160	39889	9-44T	4.89	2.55-50	MN		
A-39664	RDXX160, RPXX160	39889	9-44T	4.89	2.50-50		KIT 2426	Repl. by B-39664
A-39666-1	RDXX160, RPXX160	39893	8-43T	5.38	2.50-50	MN	KIT 2426	
A-39666	RDXX160, RPXX160	39893	8-43T	5.38	2.50-50		KIT 2426	Repl. by B-39666
A-39672-1	RDXX160, RPXX160	39895	8-45T	5.63	2.50-50	MN	KIT 2426	
A-39672	RDXX160, RPXX160	39895	8-45T	5.63	2.50-50		KIT 2426	
A-39674-1	RDXX160, RPXX160	39899	7-43T	6.14	2.50-50	MN	KIT 2426	
A-39674	RDXX160, RPXX160	39899	7-43T	6.14	2.50-50		KIT 2426	
A-39696-1	RS15210	39753	11-41T	4.10	1.75-34	MN	41X1154	
A-39696	RS15210	39753	11-41T	4.10	1.75-34		41X1154	
A-39698-1	RS15210	39755	9-41T	4.56	1.75-34	MN	41X1154	
A-39698	RS15210	39755	9-41T	4.56	1.75-34		41X1154	
A-39700-1	RS15210	39757	8-39T	4.88	1.75-34	MN	41X1154	
A-39700	RS15210	39757	8-39T	4.88	1.75-34		41X1154	
A-39702-1	RS15210	39759	8-43T	5.38	1.75-34	MN	41X1154	
A-39702	RS15210	39759	8-43T	5.38	1.75-34		41X1154	
A-39704-1	RS15210	39761	7-43T	6.14	1.75-34	MN	41X1154	
A-39704	RS15210	39761	7-43T	6.14	1.75-34		41X1154	
A-39706-1	RS15210	39763	6-41T	6.83	1.75-34	MN	41X1154	

HARDWARE KEY

B - Bolt or Capscrew **BN** - Button **BR** - Bearing or Bearing Race **MN** - Metric Nut
N - Nut **Q** - Quill **R** - Retainer **RV** - Rivet
S - Shim **SG** - Spur Gear **SR** - Snap Ring or Lock Ring **W** - Washer

SPLINE SIZE KEY

T - Tapered **STR** - Straight

(1) Recommended fasteners, not included with gearset.

(gr) Ring gear

GEARSETS BY PART NUMBER

Gearset	Model	Pinion	Tooth Count	Ratio	Spline Size	Hardware Included	Gear to Case Fastener (1)	Remarks
A-39706	RS15210	39763	6-41T	6.83	1.75-34		41X1154	
A-39708-1	RS15210	39765	6-43T	7.17	1.75-34	MN	41X1154	No Longer Avail.
A-39708	RS15210	39765	6-43T	7.17	1.75-34		41X1154	No Longer Avail.
A-39726-1	RS17220	39927	11-43T	3.91	1.75-34	MN	41X1153	
A-39726	RS17220	39927	11-43T	3.91	1.75-34		41X1153	
A-39728-1	RS17220	39681	10-41T	4.10	1.75-34	MN	41X1152	
A-39728	RS17220	39681	10-41T	4.10	1.75-34		41X1152	
A-39730-1	RS17220	39683	9-41T	4.56	1.75-34	MN	41X1152	
A-39730	RS17220	39683	9-41T	4.56	1.75-34		41X1152	
A-39732-1	RS17220	39685	8-39T	4.88	1.75-34	MN	41X1152	
A-39732	RS17220	39685	8-39T	4.88	1.75-34		41X1152	
A-39734-1	RS17220	39689	8-43T	5.38	1.75-34	MN	41X1152	
A-39734	RS17220	39689	8-43T	5.38	1.75-34		41X1152	
A-39738-1	RS17220	39693	7-41T	5.86	1.75-34	MN	41X1152	
A-39738	RS17220	39693	7-41T	5.86	1.75-34		41X1152	
A-39740-1	RS17220	39695	7-43T	6.14	1.75-34	MN	41X1152	
A-39740	RS17220	39695	7-43T	6.14	1.75-34		41X1152	
A-39742-1	RS17220	39697	6-39T	6.50	1.75-34	MN	41X1152	
A-39742	RS17220	39697	6-39T	6.50	1.75-34		41X1152	
A-39744-1	RS17220	39935	6-41T	6.83	1.75-34	MN	41X1152	
A-39744	RS17220	39935	6-41T	6.83	1.75-34		41X1152	
A-39746-1	RS17220	39937	6-43T	7.17	1.75-34	MN	41X1152	
A-39746	RS17220	39937	6-43T	7.17	1.75-34		41X1152	
A-39766-1	RS21230	39939	11-43T	3.91	1.75-34	MN	41X1151	
A-39766	RS21230	39939	11-43T	3.91	1.75-34		41X1151	
A-39768-1	RS21230	39699	10-41T	4.10	1.75-34	MN	41X1151	
A-39768	RS21230	39699	10-41T	4.10	1.75-34		41X1151	
A-39770-1	RS21230	39701	9-41T	4.56	1.75-34	MN	41X1151	
A-39770	RS21230	39701	9-41T	4.56	1.75-34		41X1151	
A-39772-1	RS21230	39703	8-39T	4.88	1.75-34	MN	41X1151	
A-39772	RS21230	39703	8-39T	4.88	1.75-34		41X1151	
A-39774-1	RS21230	39705	8-41T	5.12	1.75-34	MN	41X1151	No Longer Avail.
A-39774	RS21230	39705	8-41T	5.12	1.75-34		41X1151	No Longer Avail.
A-39776-1	RS21230	39707	8-43T	5.38	1.75-34	MN	41X1151	
A-39776	RS21230	39707	8-43T	5.38	1.75-34		41X1151	
A-39778-1	RS21230	39709	7-39T	5.57	1.75-34	MN	41X1151	No Longer Avail.
A-39778	RS21230	39709	7-39T	5.57	1.75-34		41X1151	No Longer Avail.
A-39780-1	RS21230	39711	7-41T	5.86	1.75-34	MN	41X1151	
A-39780	RS21230	39711	7-41T	5.86	1.75-34		41X1151	
A-39784-1	RSXX180	39785	7-43T	6.14	2.35-46	MN	KIT 1594	Repl. by B-41036-4
A-39784	RSXX180	39785	7-43T	6.14	2.35-46		KIT 1594	Use B-41036-4
A-39812-1	RDXX145, RPXX145	39811	14-43T	3.07	2.35-46	MN	KIT 2317	Repl. by A-41508-1
A-39812-2	RDXX145, RPXX145	41411	14-43T	3.07	2.35-46		KIT 2317	Repl. by A-41508-1
A-39812-3	RDXX145, RPXX145	41411	14-43T	3.07	2.35-46	MN, W	KIT 2317	Repl. by A-41508-1
A-39812	RDXX145, RPXX145	39811	14-43T	3.07	2.35-46		KIT 2317	Repl. by A-41508-1
A-39814-1	RDXX145, RPXX145	39813	14-45T	3.21	2.35-46	MN	KIT 2317	Repl. by A-41510-1
A-39814-2	RDXX145, RPXX145	41413	14-45T	3.21	2.35-46		KIT 2317	Repl. by A-41510-1
A-39814-3	RDXX145, RPXX145	41413	14-45T	3.21	2.35-46	MN, W	KIT 2317	Repl. by A-41510-1
A-39814	RDXX145, RPXX145	39813	14-45T	3.21	2.35-46		KIT 2317	Repl. by A-41510-1
A-39816-1	RDXX145, RPXX145	39815	12-41T	3.42	2.35-46	MN	KIT 2317	Repl. by B-41276-1
A-39816-2	RDXX145, RPXX145	41415	12-41T	3.42	2.35-46		KIT 2317	Use B-41276-1

HARDWARE KEY

B - Bolt or Capscrew **BN** - Button **BR** - Bearing or Bearing Race **MN** - Metric Nut
N - Nut **Q** - Quill **R** - Retainer **RV** - Rivet
S - Shim **SG** - Spur Gear **SR** - Snap Ring or Lock Ring **W** - Washer

SPLINE SIZE KEY

T - Tapered **STR** - Straight

(1) Recommended fasteners, not included with gearset.

(gr) Ring gear

GEARSETS BY PART NUMBER

Gearset	Model	Pinion	Tooth Count	Ratio	Spline Size	Hardware Included	Gear to Case Fastener (1)	Remarks
A-39816-3	RDXX145, RPXX145	41415	12-41T	3.42	2.35-46	MN, W	KIT 2317	Repl. by B-41276-1
A-39816	RDXX145, RPXX145	39815	12-41T	3.42	2.35-46		KIT 2317	Use B-41276-1
A-39820-1	RDXX145, RPXX145	39819	11-41T	3.73	2.35-46	MN	KIT 2317	Repl. by B-41514-1
A-39820-2	RDXX145, RPXX145	41419	11-41T	3.73	2.35-46		KIT 2317	Use B-41514-1
A-39820-3	RDXX145, RPXX145	41419	11-41T	3.73	2.35-46	MN, W	KIT 2317	Repl. by B-41514-1
A-39820	RDXX145, RPXX145	39819	11-41T	3.73	2.35-46		KIT 2317	Use B-41514-1
A-39822-1	RDXX145, RPXX145	39821	10-41T	4.10	2.35-46	MN	KIT 2317	Repl. by B-41680-1
A-39822-2	RDXX145, RPXX145	41423	10-41T	4.10	2.35-46		KIT 2317	Repl. by B-41680-1
A-39822-3	RDXX145, RPXX145	41423	10-41T	4.10	2.35-46	MN, W	KIT 2317	Repl. by B-41680-1
A-39822	RDXX145, RPXX145	39821	10-41T	4.10	2.35-46		KIT 2317	Repl. by B-41680-1
A-39828-1	RDXX145, RPXX145	39827	8-39T	4.88	2.35-46	MN	KIT 2317	Repl. by B-41282-1
A-39828-2	RDXX145, RPXX145	41429	8-39T	4.88	2.35-46		KIT 2317	Use B-41282-1
A-39828-3	RDXX145, RPXX145	41429	8-39T	4.88	2.35-46	MN, W	KIT 2317	Repl. by B-41282-1
A-39828	RDXX145, RPXX145	39827	8-39T	4.88	2.35-46		KIT 2317	Use B-41282-1
A-39830-1	RDXX145, RPXX145	39829	7-37T	5.29	2.35-46	MN	KIT 2317	Repl. by B-41284-1
A-39830-2	RDXX145, RPXX145	41431	7-37T	5.29	2.35-46		KIT 2317	Use B-41284-1
A-39830-3	RDXX145, RPXX145	41431	7-37T	5.29	2.35-46	MN, W	KIT 2317	Repl. by B-41284-1
A-39830	RDXX145, RPXX145	39829	7-37T	5.29	2.35-46		KIT 2317	Use B-41284-1
A-39832-1	RDXX145, RPXX145	39831	7-43T	6.14	2.35-46	MN	KIT 2317	Repl. by A-41468-1
A-39832-2	RDXX145, RPXX145	41435	7-43T	6.14	2.35-46		KIT 2317	Repl. by A-41468-1
A-39832-3	RDXX145, RPXX145	41435	7-43T	6.14	2.35-46	MN, W	KIT 2317	Repl. by A-41468-1
A-39832	RDXX145, RPXX145	39831	7-43T	6.14	2.35-46		KIT 2317	Repl. by A-41468-1
A-39834-1	RDXX145, RPXX145	39833	6-43T	7.17	2.35-46	MN	KIT 2317	Repl. by A-41474-1
A-39834-3	RDXX145, RPXX145	41441	6-43T	7.17	2.35-46	N, W		Repl. by A-41474-1
A-39834	RDXX145, RPXX145	39833	6-43T	7.17	2.35-46		KIT 2317	Use A-41474-1
A-39836-1	RDXX160, RPXX160	39871	14-43T	3.07	2.50-50	MN	KIT 2426	Repl. by A-39654-1
A-39836	RDXX160, RPXX160	39871	14-43T	3.07	2.50-50		KIT 2426	Use A-39654-1
A-39838-1	RDXX160, RPXX160	39873	14-45T	3.21	2.50-50	MN	KIT 2426	Repl. by A-39656-1
A-39838	RDXX160, RPXX160	39873	14-45T	3.21	2.50-50		KIT 2426	Use A-39656-1
A-39840-1	RDXX160, RPXX160	39875	12-41T	3.42	2.50-50	MN	KIT 2426	Repl. by A-39658-1
A-39840	RDXX160, RPXX160	39875	12-41T	3.42	2.50-50		KIT 2426	Use A-39658-1
A-39842-1	RDXX160, RPXX160	39877	12-43T	3.58	2.50-50	MN	KIT 2426	Repl. by A-39660-1
A-39842	RDXX160, RPXX160	39877	12-43T	3.58	2.50-50		KIT 2426	Use A-39660-1
A-39844-1	RDXX160, RPXX160	39879	11-41T	3.73	2.50-50	MN	KIT 2426	Repl. by A-39662-1
A-39844	RDXX160, RPXX160	39879	11-41T	3.73	2.50-50		KIT 2426	Use A-39662-1
A-39846-1	RDXX160, RPXX160	39881	11-43T	3.91	2.50-50	MN	KIT 2426	Repl. by A-39876-1
A-39846	RDXX160, RPXX160	39881	11-43T	3.91	2.50-50		KIT 2426	Use A-39876-1
A-39848-1	RDXX160, RPXX160	39883	10-41T	4.10	2.50-50	MN	KIT 2426	No Longer Avail.
A-39848	RDXX160, RPXX160	39883	10-41T	4.10	2.50-50		KIT 2426	No Longer Avail.
A-39850-1	RDXX160, RPXX160	39885	10-43T	4.30	2.50-50	MN	KIT 2426	No Longer Avail.
A-39850	RDXX160, RPXX160	39885	10-43T	4.30	2.50-50		KIT 2426	No Longer Avail.
A-39852-1	RDXX160, RPXX160	39887	9-41T	4.56	2.50-50	MN	KIT 2426	No Longer Avail.
A-39852	RDXX160, RPXX160	39887	9-41T	4.56	2.50-50		KIT 2426	No Longer Avail.
A-39854-1	RDXX160, RPXX160	39889	9-44T	4.88	2.50-50	MN	KIT 2426	Repl. by A-39664-1
A-39854	RDXX160, RPXX160	39889	9-44T	4.88	2.50-50		KIT 2426	Use A-39664-1
A-39858-1	RDXX160, RPXX160	39893	8-43T	5.38	2.50-50	MN	KIT 2426	Repl. by A-39666-1
A-39858	RDXX160, RPXX160	39893	8-43T	5.38	2.50-50		KIT 2426	Use A-39666-1
A-39860-1	RDXX160, RPXX160	39895	8-45T	5.63	2.50-50	MN	KIT 2426	Repl. by A-39672-1
A-39860	RDXX160, RPXX160	39895	8-45T	5.63	2.50-50		KIT 2426	Use A-39672-1
A-39864-1	RDXX160, RPXX160	39899	7-43T	6.14	2.50-50	MN	KIT 2426	Repl. by A-39674-1
A-39864	RDXX160, RPXX160	39899	7-43T	6.14	2.50-50		KIT 2426	Use A-39674-1

HARDWARE KEY

B - Bolt or Capscrew **BN** - Button **BR** - Bearing or Bearing Race **MN** - Metric Nut
N - Nut **Q** - Quill **R** - Retainer **RV** - Rivet
S - Shim **SG** - Spur Gear **SR** - Snap Ring or Lock Ring **W** - Washer

SPLINE SIZE KEY

T - Tapered **STR** - Straight

(1) Recommended fasteners, not included with gearset.

(gr) Ring gear

GEARSETS BY PART NUMBER

Gearset	Model	Pinion	Tooth Count	Ratio	Spline Size	Hardware Included	Gear to Case Fastener (1)	Remarks
A-39866-1	RDXX160, RPXX160	39901	6-41T	6.83	2.50-50	MN	KIT 2426	Repl. by A-41064-1
A-39866	RDXX160, RPXX160	39901	6-41T	6.83	2.50-50		KIT 2426	Use A-41064-1
A-39868-1	RDXX160, RPXX160	39903	6-43T	7.17	2.50-50	MN	KIT 2426	Repl. by A-39896-1
A-39868	RDXX160, RPXX160	39903	6-43T	7.17	2.50-50		KIT 2426	Use A-39896-1
A-39876-1	RDXX160, RPXX160	39881	11-43T	3.91	2.50-50	MN	KIT 2426	
A-39876	RDXX160, RPXX160	39881	11-43T	3.91	2.50-50		KIT 2426	
A-39878-1	RDXX160, RPXX160	39883	10-41T	4.10	2.50-50	MN	KIT 2426	
A-39878	RDXX160, RPXX160	39883	10-41T	4.10	2.50-50		KIT 2426	
A-39880-1	RDXX160, RPXX160	39885	10-43T	4.30	2.50-50	MN	KIT 2426	
A-39880	RDXX160, RPXX160	39885	10-43T	4.30	2.50-50		KIT 2426	
A-39882-1	RDXX160, RPXX160	39887	9-41T	4.56	2.50-50	MN	KIT 2426	
A-39882-3	RDXX160, RPXX160	39887	9-41T	4.56	2.55-50	MN		
A-39882	RDXX160, RPXX160	39887	9-41T	4.56	2.50-50		KIT 2426	
A-39884-1	RRXX160, RSXX160	40245	11-43T	3.91	2.35-46	MN	KIT 2426	No Longer Avail.
A-39884-4	RRXX160, RSXX160	41277	11-43T	3.91	2.35-46		KIT 2426	
A-39884-5	RRXX160, RSXX160	41277	11-43T	3.91	2.35-46	MN, W	KIT 2426	
A-39884-6	RRXX160, RSXX160	41277	11-43T	3.91	2.35-46	MN, W, SR, BR	KIT 2426	
A-39884	RRXX160, RSXX160	40245	11-43T	3.91	2.35-46		KIT 2426	Repl. by A-39884-4
A-39886-1	RRXX160, RSXX160	40247	10-41T	4.10	2.35-46	MN	KIT 2426	No Longer Avail.
A-39886-4	RRXX160, RSXX160	41279	10-41T	4.10	2.35-46		KIT 2426	
A-39886-5	RRXX160, RSXX160	41279	10-41T	4.10	2.35-46	MN, W	KIT 2426	
A-39886-6	RRXX160, RSXX160	41279	10-41T	4.10	2.35-46	MN, W, SR, BR	KIT 2426	
A-39886	RRXX160, RSXX160	40247	10-41T	4.10	2.35-46		KIT 2426	Repl. by A-39886-4
A-39888-1	RRXX160, RSXX160	40233	10-43T	4.30	2.35-46	MN	KIT 2426	No Longer Avail.
A-39888-4	RRXX160, RSXX160	41281	10-43T	4.30	2.35-46		KIT 2426	
A-39888-5	RRXX160, RSXX160	41281	10-43T	4.30	2.35-46	MN, W	KIT 2426	
A-39888-6	RRXX160, RSXX160	41281	10-43T	4.30	2.35-46	MN, W, SR, BR	KIT 2426	
A-39888	RRXX160, RSXX160	40233	10-43T	4.30	2.35-46		KIT 2426	Repl. by A-39888-4
A-39890-1	RRXX160, RSXX160	40261	9-41T	4.56	2.35-46	MN	KIT 2426	No Longer Avail.
A-39890-4	RRXX160, RSXX160	41283	9-41T	4.56	2.35-46		KIT 2426	
A-39890-5	RRXX160, RSXX160	41283	9-41T	4.56	2.35-46	MN, W	KIT 2426	
A-39890-6	RRXX160, RSXX160	41283	9-41T	4.56	2.35-46	MN, W, SR, BR	KIT 2426	
A-39890-7	RC23160	41283	9-41T	4.56	2.35-46		KIT 2426	No Longer Avail.
A-39890-8	RC23160	41283	9-41T	4.56	2.35-46	MN, W	KIT 2426	No Longer Avail.
A-39890	RRXX160, RSXX160	40261	9-41T	4.56	2.35-46		KIT 2426	Repl. by A-39890-4
A-39892-1	RDXX160, RPXX160	40373	7-45T	6.43	2.50-50	MN, W	KIT 2426	
A-39892	RDXX160, RPXX160	40373	7-45T	6.43	2.50-50		KIT 2426	
A-39894-1	RDXX160, RPXX160	39901	6-41T	6.83	2.55-50	N		Repl. by B-41064-1
A-39896-1	RDXX160, RPXX160	39903	6-43T	7.17	2.50-50	MN, W	KIT 2426	
A-39896	RDXX160, RPXX160	39903	6-43T	7.17	2.50-50		KIT 2426	
A-39898-1	RRXX160, RSXX160	40253	14-43T	3.07	2.35-46	MN	KIT 2426	Repl. by A-39898-6
A-39898-4	RRXX160, RSXX160	41267	14-43T	3.07	2.35-46		KIT 2426	
A-39898-5	RRXX160, RSXX160	41267	14-43T	3.07	2.35-46	MN, W	KIT 2426	
A-39898-6	RRXX160, RSXX160	41267	14-43T	3.07	2.35-46	MN, W, SR, BR	KIT 2426	
A-39898	RRXX160, RSXX160	40253	14-43T	3.07	2.35-46		KIT 2426	Repl. by A-39898-4
A-39900-1	RRXX160, RSXX160	40257	14-45T	3.21	2.35-46	MN	KIT 2426	Repl. by A-39900-6
A-39900-4	RRXX160, RSXX160	41269	14-45T	3.21	2.35-46		KIT 2426	
A-39900-5	RRXX160, RSXX160	41269	14-45T	3.21	2.35-46	MN, W	KIT 2426	
A-39900-6	RRXX160, RSXX160	41269	14-45T	3.21	2.35-46	MN, W, SR, BR	KIT 2426	
A-39900	RRXX160, RSXX160	40257	14-45T	3.21	2.35-46		KIT 2426	Repl. by A-39900-4
A-39902-1	RRXX160, RSXX160	40229	12-41T	3.42	2.35-46	MN	KIT 2426	Repl. by A-39902-6

HARDWARE KEY

B - Bolt or Capscrew **BN** - Button **BR** - Bearing or Bearing Race **MN** - Metric Nut
N - Nut **Q** - Quill **R** - Retainer **RV** - Rivet
S - Shim **SG** - Spur Gear **SR** - Snap Ring or Lock Ring **W** - Washer

SPLINE SIZE KEY

T - Tapered **STR** - Straight

(1) Recommended fasteners, not included with gearset.

(gr) Ring gear

GEARSETS BY PART NUMBER

Gearset	Model	Pinion	Tooth Count	Ratio	Spline Size	Hardware Included	Gear to Case Fastener (1)	Remarks
A-39902-4	RRXX160, RSXX160	41271	12-41T	3.42	2.35-46		KIT 2426	
A-39902-5	RRXX160, RSXX160	41271	12-41T	3.42	2.35-46	MN, W	KIT 2426	
A-39902-6	RRXX160, RSXX160	41271	12-41T	3.42	2.35-46	MN, W, SR, BR	KIT 2426	
A-39902	RRXX160, RSXX160	40229	12-41T	3.42	2.35-46		KIT 2426	Repl. by A-39902-4
A-39904-1	RRXX160, RSXX160	40259	12-43T	3.58	2.35-46	MN	KIT 2426	Repl. by A-39904-6
A-39904-4	RRXX160, RSXX160	41273	12-43T	3.58	2.35-46		KIT 2426	
A-39904-5	RRXX160, RSXX160	41273	12-43T	3.58	2.35-46	MN, W	KIT 2426	
A-39904-6	RRXX160, RSXX160	41273	12-43T	3.58	2.35-46	MN, W, SR, BR	KIT 2426	
A-39904	RRXX160, RSXX160	40259	12-43T	3.58	2.35-46		KIT 2426	Repl. by A-39904-4
A-39906-1	RRXX160, RSXX160	40231	11-41T	3.73	2.35-46	MN	KIT 2426	Repl. by A-39906-6
A-39906-4	RRXX160, RSXX160	41275	11-41T	3.73	2.35-46		KIT 2426	
A-39906-5	RRXX160, RSXX160	41275	11-41T	3.73	2.35-46	MN, W	KIT 2426	
A-39906-6	RRXX160, RSXX160	41275	11-41T	3.73	2.35-46	MN, W, SR, BR	KIT 2426	
A-39906	RRXX160, RSXX160	40231	11-41T	3.73	2.35-46		KIT 2426	Repl. by A-39906-4
A-39908-2	RDXX145, RPXX145	41571	15-42T	2.80	2.35-46		KIT 2317	Repl. by A-41676
A-39908-3	RDXX145, RPXX145	41571	15-42T	2.80	2.35-46	MN	KIT 2317	Repl. by A-41676-1
A-39910-1	RRXX145, RSXX145	39909	15-42T	2.80	2-39	MN, W	KIT 2317	Repl. by A-41682-1
A-39910	RRXX145, RSXX145	39909	15-42T	2.80	2-39		KIT 2317	Repl. by A-41682
A-39924-1	RS21230	39713	7-43T	6.14	1.75-34	MN	41X1151	
A-39924	RS21230	39713	7-43T	6.14	1.75-34		41X1151	
A-39926-1	RS21230	39715	6-39T	6.50	1.75-34	MN	41X1151	
A-39926	RS21230	39715	6-39T	6.50	1.75-34		41X1151	
A-39928-1	RS21230	39717	6-41T	6.83	1.75-34	MN	41X1151	
A-39928	RS21230	39717	6-41T	6.83	1.75-34		41X1151	
A-39930-1	RS21230	39719	6-43T	7.17	1.75-34	MN	41X1151	
A-39930	RS21230	39719	6-43T	7.17	1.75-34		41X1151	
A-39952-1	RS23240	39721	10-41T	4.10	2-39	MN	41X1153	
A-39952	RS23240	39721	10-41T	4.10	2-39		41X1153	
A-39954-1	RS23240	39931	10-43T	4.30	2-39	MN	41X1153	
A-39954	RS23240	39931	10-43T	4.30	2-39		41X1153	
A-39956-1	RS23240	39723	9-41T	4.56	2-39	MN	41X1153	
A-39956	RS23240	39723	9-41T	4.56	2-39		41X1153	
A-39958-1	RS23240	39725	8-39T	4.88	2-39	MN	41X1153	
A-39958	RS23240	39725	8-39T	4.88	2-39		41X1153	
A-39960-1	RS23240	39933	8-41T	5.13	2-39	MN	41X1153	No Longer Avail.
A-39960	RS23240	39933	8-41T	5.13	2-39		41X1153	No Longer Avail.
A-39962-1	RS23240	39727	8-43T	5.38	2-39	MN	41X1153	
A-39962	RS23240	39727	8-43T	5.38	2-39		41X1153	
A-39964-1	RS23240	39729	7-39T	5.57	2-39	MN	41X1153	
A-39964	RS23240	39729	7-39T	5.57	2-39		41X1153	
A-39966-1	RS23240	39731	7-41T	5.86	2-39	MN	41X1153	No Longer Avail.
A-39966	RS23240	39731	7-41T	5.86	2-39		41X1153	No Longer Avail.
A-39968-1	RS23240	39733	7-43T	6.14	2-39	MN	41X1153	
A-39968	RS23240	39733	7-43T	6.14	2-39		41X1153	
A-39970-1	RS23240	39735	6-39T	6.50	2-39	MN	41X1153	
A-39970	RS23240	39735	6-39T	6.50	2-39		41X1153	
A-39972-1	RS23240	39737	6-41T	6.83	2-39	MN	41X1153	No Longer Avail.
A-39972	RS23240	39737	6-41T	6.83	2-39		41X1153	No Longer Avail.
A-39974-1	RS23240	39739	6-43T	7.17	2-39	MN	41X1153	
A-39974	RS23240	39739	6-43T	7.17	2-39		41X1153	
A-39982-1	RS12470 (411 split type)	39989	8-37T	4.63	1.40-27			Repl. by A-39996-1

HARDWARE KEY

B - Bolt or Capscrew **BN** - Button **BR** - Bearing or Bearing Race **MN** - Metric Nut
N - Nut **Q** - Quill **R** - Retainer **RV** - Rivet
S - Shim **SG** - Spur Gear **SR** - Snap Ring or Lock Ring **W** - Washer

SPLINE SIZE KEY

T - Tapered **STR** - Straight

(1) Recommended fasteners, not included with gearset.

(gr) Ring gear

GEARSETS BY PART NUMBER

Gearset	Model	Pinion	Tooth Count	Ratio	Spline Size	Hardware Included	Gear to Case Fastener (1)	Remarks
A-39982	RS12470	39989	8-37T	4.63	1.40-27	N	KIT 2465	Repl. by A-39996-1
A-39996-1	RS12470	39991	9-41T	4.56	1.40-27	N	KIT 2465	No Longer Avail.
A-39996	RS12470	39991	9-41T	4.56	1.40-27	N	KIT 2465	No Longer Avail.
A-40012-1	RS17220	39999	10-43T	4.30	1.75-34	MN	41X1152	
A-40012	RS17220	39999	10-43T	4.30	1.75-34		41X1152	
A-40014-1	RS21230	40001	10-43T	4.30	1.75-34	MN	41X1151	
A-40014	RS21230	40001	10-43T	4.30	1.75-34		41X1151	
A-40016-1	RS15210	40003	7-41T	5.86	1.75-34	MN	41X1154	
A-40016	RS15210	40003	7-41T	5.86	1.75-34		41X1154	
A-40024-1	RRXX160, RSXX160	40235	9-44T	4.89	2.35-46	MN	KIT 2426	Repl. by A-40024-6
A-40024-4	RRXX160, RSXX160	41285	9-44T	4.89	2.35-46		KIT 2426	
A-40024-5	RRXX160, RSXX160	41285	9-44T	4.89	2.35-46	MN, W	KIT 2426	
A-40024-6	RRXX160, RSXX160	41285	9-44T	4.89	2.35-46	BR, MN, SR, W	KIT 2426	
A-40024	RRXX160, RSXX160	40235	9-44T	4.89	2.35-46		KIT 2426	Repl. by A-40024-4
A-40030-1	RRXX145, RSXX145	40027	12-43T	3.58	2-39	MN	KIT 2317	Repl. by B-41532-1
A-40030-2	RSXX140	40025	12-43T	3.58	1.75-34		KIT 2317	Use A-41498-3
A-40030-3	RSXX140	40025	12-43T	3.58	1.75-34	MN	KIT 2317	Repl. by A-41498-3
A-40030	RRXX145, RSXX145	40027	12-43T	3.58	2-39		KIT 2317	Use B-41532-1
A-40036-1	SHD	40791	9-41T	4.56	2.62-26	N	KIT 2393	
A-40036-4	RF21156	40147	9-41T	4.56	2.00-39		KIT 2393	Repl. by A-42920-2
A-40036-5	RF21156	40147	9-41T	4.56	2.00-39	N	KIT 2393	
A-40036	SHD	40791	9-41T	4.56	2.62-26		KIT 2393	Repl. by A-42920-1
A-40046-1	SHD, THD, UHD	40799	8-43T	5.38	2.62-26	N	KIT 2393	
A-40046-2	SHD, THD, UHD	40149	8-43T	5.38	2-39		KIT 2393	
A-40046-3	SHD, THD, UHD	40149	8-43T	5.38	2-39	N	KIT 2393	
A-40046	SHD, THD, UHD	40799	8-43T	5.38	2.62-26		KIT 2393	
A-40048-1	RRXX145, RSXX145	40045	11-43T	3.91	2-39	MN	KIT 2317	Repl. by B-41536-1
A-40048-2	RSXX140	40043	11-43T	3.91	1.75-34		KIT 2317	Repl. by A-41684-3
A-40048-3	RSXX140	40043	11-43T	3.91	1.75-34	MN	KIT 2317	Repl. by A-41684-3
A-40048	RRXX145, RSXX145	40045	11-43T	3.91	2-39		KIT 2317	Use B-41536-1
A-40066-1	RRXX145, RSXX145	40063	10-43T	4.30	2-39	MN	KIT 2317	Repl. by B-41540-1
A-40066-2	RSXX140	40061	10-43T	4.30	1.75-34		KIT 2317	Use A-41266-3
A-40066-3	RSXX140	40061	10-43T	4.30	1.75-34	MN	KIT 2317	Repl. by A-41266-3
A-40066	RRXX145, RSXX145	40063	10-43T	4.30	2-39		KIT 2317	Use B-41540-1
A-40074-1	R155, SHR	40057	9-41T	4.56	2-39	N	KIT 2393	
A-40074	R155, SHR	40057	9-41T	4.56	2-39	N	KIT 2393	Repl. by A-40074-1
A-40084-1	RRXX145, RSXX145	40081	9-41T	4.56	2-39	MN	KIT 2317	Repl. by B-41542-1
A-40084-2	RSXX140	40079	9-41T	4.56	1.75-34		KIT 2317	Repl. by B-41542-3
A-40084-3	RSXX140	40079	9-41T	4.56	1.75-34	N	KIT 2317	Repl. by B-41542-3
A-40084	RRXX145, RSXX145	40081	9-41T	4.56	2-39		KIT 2317	Use B-41542-1
A-40088-1	R155, SHR	40041	8-43T	5.38	2-39	N	KIT 2393	
A-40088	R155, SHR	40041	8-43T	5.38	2-39		KIT 2393	Repl. by A-40088-1
A-40102-1	RRXX145, RSXX145	40099	8-41T	5.13	2-39	MN	KIT 2317	Repl. by B-41546-1
A-40102-2	RSXX140	40097	8-41T	5.13	1.75-34		KIT 2317	No Longer Avail.
A-40102-3	RSXX140	40097	8-41T	5.13	1.75-34	MN	KIT 2317	No Longer Avail.
A-40102	RRXX145, RSXX145	40099	8-41T	5.13	2-39		KIT 2317	Use B-41546-1
A-40104-1	RRXX160, RSXX160	40263	8-43T	5.38	2.35-46	MN	KIT 2426	Repl. by A-40104-6
A-40104-4	RRXX160, RSXX160	41287	8-43T	5.38	2.35-46		KIT 2426	
A-40104-5	RRXX160, RSXX160	41287	8-43T	5.38	2.35-46	MN, W	KIT 2426	
A-40104-6	RRXX160, RSXX160	41287	8-43T	5.38	2.35-46	MN, W, BR, SR	KIT 2426	
A-40104	RRXX160, RSXX160	40263	8-43T	5.38	2.35-46		KIT 2426	Repl. by A-40104-4

HARDWARE KEY

B - Bolt or Capscrew **BN** - Button **BR** - Bearing or Bearing Race **MN** - Metric Nut
N - Nut **Q** - Quill **R** - Retainer **RV** - Rivet
S - Shim **SG** - Spur Gear **SR** - Snap Ring or Lock Ring **W** - Washer

SPLINE SIZE KEY

T - Tapered **STR** - Straight

(1) Recommended fasteners, not included with gearset.

(gr) Ring gear

GEARSETS BY PART NUMBER

Gearset	Model	Pinion	Tooth Count	Ratio	Spline Size	Hardware Included	Gear to Case Fastener (1)	Remarks
A-40106-1	RRXX160, RSXX160	40239	8-45T	5.63	2.35-46	MN	KIT 2426	Repl. by A-40106-6
A-40106-4	RRXX160, RSXX160	41289	8-45T	5.63	2.35-46		KIT 2426	
A-40106-5	RRXX160, RSXX160	41289	8-45T	5.63	2.35-46	MN, W	KIT 2426	
A-40106-6	RRXX160, RSXX160	41289	8-45T	5.63	2.35-46	MN, W, BR, SR	KIT 2426	
A-40106	RRXX160, RSXX160	40239	8-45T	5.63	2.35-46		KIT 2426	Repl. by A-40106-4
A-40110-1	RRXX160, RSXX160	40241	7-34T	6.14	2.35-46	MN	KIT 2426	Repl. by A-40110-6
A-40110-4	RRXX160, RSXX160	41291	7-34T	6.14	2.35-46		KIT 2426	
A-40110-5	RRXX160, RSXX160	41291	7-34T	6.14	2.35-46	MN, W	KIT 2426	
A-40110-6	RRXX160, RSXX160	41291	7-34T	6.14	2.35-46	MN, W, BR, SR	KIT 2426	
A-40110	RRXX160, RSXX160	40241	7-34T	6.14	2.35-46		KIT 2426	Repl. by A-40110-4
A-40116-1	RRXX160, RSXX160	40255	7-45T	6.43	2.35-46	MN	KIT 2426	Repl. by A-40116-6
A-40116-4	RRXX160, RSXX160	41293	7-45T	6.43	2.35-46		KIT 2426	
A-40116-5	RRXX160, RSXX160	41293	7-45T	6.43	2.35-46	MN, W	KIT 2426	
A-40116-6	RRXX160, RSXX160	41293	7-45T	6.43	2.35-46	MN, W, BR, SR	KIT 2426	
A-40116	RRXX160, RSXX160	40255	7-45T	6.43	2.35-46		KIT 2426	Repl. by A-40116-4
A-40118-1	RRXX160, RSXX160	40243	6-41T	6.83	2.35-46	MN	KIT 2426	Repl. by A-41066-1
A-40118-5	RRXX160, RSXX160	41295	6-41T	6.83	2.35-46	N, W		Repl. by B-41066-1
A-40118-6	RRXX160, RSXX160	41295	6-41T	6.83	2.35-46	N, W, BR, S		Repl. by B-41066-2
A-40118	RRXX160, RSXX160	40243	6-41T	6.83	2.35-46		KIT 2426	Repl. by A-41066
A-40120-1	RRXX145, RSXX145	40117	7-39T	5.57	2-39	MN	KIT 2317	Repl. by B-41550-1
A-40120-2	RSXX140	40115	7-39T	5.57	1.75-34		KIT 2317	Use A-41304-3
A-40120-3	RSXX140	40115	7-39T	5.57	1.75-34	MN	KIT 2317	Repl. by A-41304-3
A-40120	RRXX145, RSXX145	40117	7-39T	5.57	2-39		KIT 2317	Use B-41550-1
A-40122-1	RRXX160, RSXX160	40251	6-43T	7.17	2.35-46	MN	KIT 2426	Repl. by A-40122-6
A-40122-4	RRXX160, RSXX160	41297	6-43T	7.17	2.35-46		KIT 2426	
A-40122-5	RRXX160, RSXX160	41297	6-43T	7.17	2.35-46	MN, W	KIT 2426	
A-40122-6	RRXX160, RSXX160	41297	6-43T	7.17	2.35-46	MN, W, BR, SR	KIT 2426	
A-40122	RRXX160, RSXX160	40251	6-43T	7.17	2.35-46		KIT 2426	Use A-40122-6
A-40138-1	RRXX145, RSXX145	40135	7-41T	5.86	2-39	MN	KIT 2317	Repl. by B-41552-1
A-40138-2	RSXX140	40133	7-41T	5.86	1.75-34		KIT 2317	Use A-41456-3
A-40138-3	RSXX140	40133	7-41T	5.86	1.75-34	MN	KIT 2317	Repl. by A-41456-3
A-40138	RRXX145, RSXX145	40135	7-41T	5.86	2-39		KIT 2317	Use B-41552-1
A-40156-1	RRXX145, RSXX145	40153	7-45T	6.43	2-39	MN	KIT 2317	Repl. by B-41556-1
A-40156-2	RSXX140	40151	7-45T	6.43	1.75-34		KIT 2317	Use A-41460-3
A-40156-3	RSXX140	40151	7-45T	6.43	1.75-34	MN	KIT 2317	Repl. by A-41460-3
A-40156	RRXX145, RSXX145	40153	7-45T	6.43	2-39		KIT 2317	Use B-41556-1
A-40158-1	R155 (LH), SHR	41011	11-37T	3.36	2-39	N	KIT 948	No Longer Avail.
A-40158-2	R155 (LH), SHR	41069	11-37T	3.36	2.62-26		KIT 948	No Longer Avail.
A-40158-3	R155 (LH), SHR	41069	11-37T	3.36	2.62-26	N	KIT 948	No Longer Avail.
A-40158	R155 Type (LH)	41011	11-37T	3.36	2-39		KIT 948	No Longer Avail.
A-40160-1	SHD, THD, UHD	38503	11-41T	3.73	2.62-26	N	KIT 2393	No Longer Avail.
A-40160-2	R155 Type (RH)	41013	11-41T	3.73	2-39		KIT 2393	No Longer Avail.
A-40160-3	R155 Type (RH)	41013	11-41T	3.73	2-39	N	KIT 2393	No Longer Avail.
A-40160-4	R155 Type (RH)	40969	11-41T	3.73	1.96-10		KIT 2393	No Longer Avail.
A-40160-5	R155 Type (RH)	40969	11-41T	3.73	1.96-10	N	KIT 2393	
A-40160-6	R164	41071	11-41T	3.73	2.62-26		KIT 2393	No Longer Avail.
A-40160-7	R164	41071	11-41T	3.73	2.62-26	N	KIT 2393	No Longer Avail.
A-40160-8	SHP	38555	11-41T	3.73	2.62-26		KIT 2393	No Longer Avail.
A-40160-9	SHP	38555	11-41T	3.73	2.62-26	N	KIT 2393	No Longer Avail.
A-40160	SHD, THD, UHD	38503	11-41T	3.73	2.62-26		KIT 2393	No Longer Avail.
A-40162-1	SHD, THD, UHD	41043	10-39T	3.90	2.62-26	N	KIT 2393	
A-40162-2	SHD w/Pump	41029	10-39T	3.90	2.62-26		KIT 2393	No Longer Avail.

HARDWARE KEY

B - Bolt or Capscrew **BN** - Button **BR** - Bearing or Bearing Race **MN** - Metric Nut
N - Nut **Q** - Quill **R** - Retainer **RV** - Rivet
S - Shim **SG** - Spur Gear **SR** - Snap Ring or Lock Ring **W** - Washer

SPLINE SIZE KEY

T - Tapered **STR** - Straight

(1) Recommended fasteners, not included with gearset.

(gr) Ring gear

GEARSETS BY PART NUMBER

Gearset	Model	Pinion	Tooth Count	Ratio	Spline Size	Hardware Included	Gear to Case Fastener (1)	Remarks
A-40162-3	SHD w/Pump	41029	10-39T	3.90	2.62-26	N, BN	KIT 2393	No Longer Avail.
A-40162	SHD, THD, UHD	41043	10-39T	3.90	2.62-26		KIT 2393	
A-40164-1	SHD, THD, UHD	41493	9-37T	4.11	2.62-26	N	KIT 2393	
A-40164-2	SHD w/Pump	41031	9-37T	4.11	2.62-26		KIT 2393	No Longer Avail.
A-40164-3	SHD w/Pump	41031	9-37T	4.11	2.62-26	N	KIT 2393	No Longer Avail.
A-40164-4	R155 Type (RH)	41015	9-37T	4.11	2-39		KIT 2393	
A-40164-5	R155 Type (RH)	41015	9-37T	4.11	2-39	N	KIT 2393	
A-40164-8	R164	41073	9-37T	4.11	2.62-26		KIT 2393	No Longer Avail.
A-40164-9	R164	41073	9-37T	4.11	2.62-26	N	KIT 2393	No Longer Avail.
A-40164	SHD, THD, UHD	41045	9-37T	4.11	2.62-26		KIT 2393	Repl. by A-40832
A-40170-1	SHD, THD, UHD	41465	9-39T	4.33	2.62-26	N	KIT 2393	
A-40170	SHD, THD, UHD	41047	9-39T	4.33	2.62-26		KIT 2393	Repl. by A-40814
A-40172-1	SHD, THD, UHD	41467	8-37T	4.63	2.62-26	N	KIT 2393	
A-40172-2	SHD w/Pump	41033	8-37T	4.63	2.62-26		KIT 2393	Repl. by A-40172-1
A-40172-3	SHD w/Pump	41033	8-37T	4.63	2.62-26	N	KIT 2393	No Longer Avail.
A-40172-4	R155 Type (RH)	41017	8-37T	4.63	2-39		KIT 2393	No Longer Avail.
A-40172-5	R155 Type (RH)	41017	8-37T	4.63	2-39	N	KIT 2393	No Longer Avail.
A-40172-8	R164	41075	8-37T	4.63	2.62-26		KIT 2393	
A-40172	SHD, THD, UHD	41049	8-37T	4.63	2.62-26		KIT 2393	Repl. by A-40816
A-40174-1	RRXX145, RSXX145	40171	6-41T	6.83	2-39	MN	KIT 2317	Repl. by B-41558-1
A-40174-2	RSXX140	40169	6-41T	6.83	1.75-34		KIT 2317	Use A-41462-3
A-40174-3	RSXX140	40169	6-41T	6.83	1.75-34	MN	KIT 2317	Repl. by A-41462-3
A-40174	RRXX145, RSXX145	40171	6-41T	6.83	2-39		KIT 2317	Use B-41558-1
A-40176-1	SHD, THD, UHD	41469	9-44T	4.89	2.62-26	N	KIT 2393	
A-40176-2	R155 Type (RH)	41019	9-44T	4.89	2-39		KIT 2393	No Longer Avail.
A-40176-3	R155 Type (RH)	41019	9-44T	4.89	2-39	N	KIT 2393	No Longer Avail.
A-40176-4	R155 Type (RH)	40977	9-44T	4.89	1.96-10		KIT 2393	No Longer Avail.
A-40176-6	R164	41077	9-44T	4.89	2.62-26		KIT 2393	No Longer Avail.
A-40176-7	R164	41077	9-44T	4.89	2.62-26	N	KIT 2393	No Longer Avail.
A-40176-8	R155 Type (RH)	41019	9-44T	4.89	2-39	SR, R, N, BR	KIT 2393	No Longer Avail.
A-40176-9	R155 Type (RH)	40977	9-44T	4.89	1.96-10	BR, SR, R	KIT 2393	No Longer Avail.
A-40176	SHD, THD, UHD	41051	9-44T	4.89	2.62-26		KIT 2393	Repl. by A-40818
A-40178-1	SHD, THD, UHD	41495	7-37T	5.29	2.62-26	N	KIT 2393	
A-40178-10	R155 Type (RH)	41021	7-37T	5.29	2-39	N, BR, SR, R	KIT 2393	
A-40178-2	SHD w/Pump	41035	7-37T	5.29	2.62-26		KIT 2393	No Longer Avail.
A-40178-3	SHD w/Pump	41035	7-37T	5.29	2.62-26	N	KIT 2393	No Longer Avail.
A-40178-4	R155 Type (RH)	41021	7-37T	5.29	2-39		KIT 2393	
A-40178-5	R155 Type (RH)	41021	7-37T	5.29	2-39	N	KIT 2393	
A-40178-8	R164	41079	7-37T	5.29	2.62-26		KIT 2393	
A-40178	SHD, THD, UHD	41053	7-37T	5.29	2.62-26		KIT 2393	Repl. by A-40834
A-40180-1	SHD, THD, UHD	41055	7-39T	5.57	2.62-26	N	KIT 2393	No Longer Avail.
A-40180	SHD, THD, UHD	41055	7-39T	5.57	2.62-26		KIT 2393	No Longer Avail.
A-40182-1	SHD, THD, UHD	41499	6-37T	6.17	2.62-26	N	KIT 2393	
A-40182-2	R155 Type (RH)	41023	6-37T	6.17	2-39		KIT 2393	
A-40182-3	R155 Type (RH)	41023	6-37T	6.17	2-39	N	KIT 2393	
A-40182-4	R155 Type (RH)	40983	6-37T	6.17	1.96-10		KIT 2393	No Longer Avail.
A-40182-5	R155 Type (RH)	40983	6-37T	6.17	1.96-10	N	KIT 2393	No Longer Avail.
A-40182-6	R155 Type (RH)	41023	6-37T	6.17	2-39	BR, N, R, W	KIT 2393	No Longer Avail.
A-40182-7	R155 Type (RH)	40983	6-37T	6.17	2-39	N, BR, SR, R	KIT 2393	No Longer Avail.
A-40182-8	R155 Type (RH)	41305	6-37T	6.17	2-39		KIT 2393	No Longer Avail.
A-40182-9	R155 Type (RH)	41305	6-37T	6.17	2-39	N, BN	KIT 2393	No Longer Avail.
A-40182	SHD, THD, UHD	41057	6-37T	6.17	2.62-26		KIT 2393	Repl. by A-40838
A-40288-1	RDXX145, RPXX145	40287	12-43T	3.58	2.35-46	MN	KIT 2317	Repl. by B-41512-1

HARDWARE KEY

B - Bolt or Capscrew **BN** - Button **BR** - Bearing or Bearing Race **MN** - Metric Nut
N - Nut **Q** - Quill **R** - Retainer **RV** - Rivet
S - Shim **SG** - Spur Gear **SR** - Snap Ring or Lock Ring **W** - Washer

SPLINE SIZE KEY

T - Tapered **STR** - Straight

(1) Recommended fasteners, not included with gearset.

(gr) Ring gear

GEARSETS BY PART NUMBER

Gearset	Model	Pinion	Tooth Count	Ratio	Spline Size	Hardware Included	Gear to Case Fastener (1)	Remarks
A-40288-3	RDXX145, RPXX145	41417	12-43T	3.58	2.35-46	N, W		Repl. by B-41512-1
A-40288	RDXX145, RPXX145	40287	12-43T	3.58	2.35-46		KIT 2317	Use B-41512-1
A-40290-1	RDXX145, RPXX145	40289	11-43T	3.91	2.35-46	MN	KIT 2317	Repl. by B-41516-1
A-40290-3	RDXX145, RPXX145	41421	14-43T	3.91	2.35-46	N, W		Repl. by B-41678-1
A-40290	RDXX145, RPXX145	40289	11-43T	3.91	2.35-46		KIT 2317	Use B-41516-1
A-40292-1	RDXX145, RPXX145	40291	10-43T	4.30	2.35-46	MN, W	KIT 2317	Repl. by B-41278-1
A-40292-3	RDXX145, RPXX145	41425	10-43T	4.30	2.35-46	N, W		Repl. by B-41278-1
A-40292	RDXX145, RPXX145	40291	10-43T	4.30	2.35-46		KIT 2317	Use B-41278-1
A-40294-1	RDXX145, RPXX145	40293	9-41T	4.56	2.35-46	MN	KIT 2317	Repl. by B-41562-1
A-40294-3	RDXX145, RPXX145	41427	9-41T	4.56	2.35-46	N, W		Repl. by B-41562-1
A-40294	RDXX145, RPXX145	40293	9-41T	4.56	2.35-46		KIT 2317	Use B-41562-1
A-40300-1	RDXX145, RPXX145	40299	7-41T	5.86	2.35-46	MN	KIT 2317	Repl. by B-41466-1
A-40300-3	RDXX145, RPXX145	41433	7-41T	5.86	2.35-46	N, W		Repl. by B-41466-1
A-40300	RDXX145, RPXX145	40299	7-41T	5.86	2.35-46		KIT 2317	Use B-41466-1
A-40302-1	RDXX145, RPXX145	40301	7-45T	6.43	2.35-46	MN	KIT 2317	Repl. by A-41470-1
A-40302-3	RDXX145, RPXX145	41437	7-45T	6.43	2.35-46	N, W		Repl. by A-41470-1
A-40302	RDXX145, RPXX145	40301	7-45T	6.43	2.35-46		KIT 2317	Repl. by A-41470
A-40304-1	RDXX145, RPXX145	40303	6-41T	6.83	2.35-46	MN	KIT 2317	Repl. by A-41472-1
A-40304-2	RDXX145, RPXX145	41439	6-41T	6.83	2.35-46		KIT 2317	Repl. by A-41472
A-40304-3	RDXX145, RPXX145	41439	6-41T	6.83	2.35-46	MN	KIT 2317	Repl. by A-41472-1
A-40304	RDXX145, RPXX145	40303	6-41T	6.83	2.35-46		KIT 2317	Repl. by A-41472
A-40306-1	SHD, THD, UHD	41059	6-41T	6.83	2.62-26	N	KIT 2393	
A-40306-2	SHD w/Pump	41037	6-41T	6.83	2.62-26		KIT 2393	Repl. by A-40306-3
A-40306-3	SHD w/Pump	41037	6-41T	6.83	2.62-26	N, BN	KIT 2393	No Longer Avail.
A-40306-4	R155 Type (RH)	41025	6-41T	6.83	2-39		KIT 2393	No Longer Avail.
A-40306-5	R155 Type (RH)	41025	6-41T	6.83	2-39	N	KIT 2393	No Longer Avail.
A-40306-8	R155 Type (RH)	41025	6-41T	6.83	2-39	N, SR, R	KIT 2393	No Longer Avail.
A-40306	SHD, THD, UHD	41059	6-41T	6.83	2.62-26		KIT 2393	
A-40312-1	WP280, WR280	41567	7-37T	5.29	2.35-46	N	KIT 2342	Repl. by B-40312-4
A-40312-3	SW380	41567	7-37T	5.29	2.35-46	N		Repl. by B-40312-3
A-40312-4	SW380	41567	7-37T	5.29	2.35-46	N, BR, S		Repl. by B-40312-4
A-40312	WP280, WR280	41567	7-37T	5.29	2.35-46		KIT 2342	Repl. by B-40312-2
A-40322-1	WP280, WR280	40327	5-37T	7.40	2.35-46	N	KIT 2342	No Longer Avail.
A-40322	WP280, WR280	40327	5-37T	7.40	2.35-46		KIT 2342	No Longer Avail.
A-40324-1	WP280, WR280	40323	6-37T	6.17	2.35-46	N	KIT 2342	Repl. by B-40364-4
A-40324-3	SW380	41569	6-37T	6.17	2.35-46	N		Repl. by B-40364-4
A-40324-4	SW380	41569	6-37T	6.17	2.35-46	N, BR, S		Repl. by B-40364-4
A-40324	WP280, WR280	40323	6-37T	6.17	2.35-46		KIT 2342	No Longer Avail.
A-40326-1	WP280, WR280	40235	6-41T	6.83	2.35-46	N	KIT 2342	No Longer Avail.
A-40326	WP280, WR280	40325	6-41T	6.83	2.35-46		KIT 2342	No Longer Avail.
A-40352-1	RPXX180, RRXX380, RSXX380	40351	11-41T	3.73	2.35-46	N	KIT 2342	Repl. by A-40352-4
A-40352-2	RPXX180, RRXX380, RSXX380	41445	11-41T	3.73	2.35-46		KIT 2342	Repl. by B-40352-2
A-40352-3	RPXX180, RRXX380, RSXX380	41445	11-41T	3.73	2.35-46	N	KIT 2342	Repl. by B-40352-3
A-40352-4	RPXX180, RRXX380, RSXX380	41445	11-41T	3.73	2.35-46	N, BR, SR	KIT 2342	Repl. by B-40352-4
A-40352	RPXX180, RRXX380, RSXX380	40351	11-41T	3.73	2.35-46		KIT 2342	Use A-40352-4
A-40354-1	RPXX180, RRXX380, RSXX380	40353	10-41T	4.10	2.35-46	N	KIT 2342	Repl. by A-40354-4

HARDWARE KEY

B - Bolt or Capscrew **BN** - Button **BR** - Bearing or Bearing Race **MN** - Metric Nut
N - Nut **Q** - Quill **R** - Retainer **RV** - Rivet
S - Shim **SG** - Spur Gear **SR** - Snap Ring or Lock Ring **W** - Washer

SPLINE SIZE KEY

T - Tapered **STR** - Straight

(1) Recommended fasteners, not included with gearset.

(gr) Ring gear

GEARSETS BY PART NUMBER

Gearset	Model	Pinion	Tooth Count	Ratio	Spline Size	Hardware Included	Gear to Case Fastener (1)	Remarks
A-40354-2	RPXX180, RRXX380, RSXX380	41447	10-41T	4.10	2.35-46		KIT 2342	Repl. by B-40354-2
A-40354-3	RPXX180, RRXX380, RSXX380	41447	10-41T	4.10	2.35-46	N	KIT 2342	Repl. by B-40354-3
A-40354-4	RPXX180, RRXX380, RSXX380	41447	10-41T	4.10	2.35-46	N, BR, SR	KIT 2342	Repl. by B-40354-4
A-40354	RPXX180, RRXX380, RSXX380	40353	10-41T	4.10	2.35-46		KIT 2342	Use A-40354-4
A-40356-1	RPXX180, RRXX380, RSXX380	40355	10-43T	4.30	2.35-46	N	KIT 2342	Repl. by A-40356-4
A-40356-2	RPXX180, RRXX380, RSXX380	41449	10-43T	4.30	2.35-46		KIT 2342	Repl. by B-40356-2
A-40356-3	RPXX180, RRXX380, RSXX380	41449	10-43T	4.30	2.35-46	N	KIT 2342	Repl. by B-40356-3
A-40356-4	RPXX180, RRXX380, RSXX380	41449	10-43T	4.30	2.35-46	N, BR, SR	KIT 2342	Repl. by B-40356-4
A-40356	RPXX180, RRXX380, RSXX380	40355	10-43T	4.30	2.35-46		KIT 2342	Use A-40356-4
A-40358-1	RPXX180, RRXX380, RSXX380	40357	9-41T	4.56	2.35-46	N	KIT 2342	Repl. by A-40358-4
A-40358-2	RPXX180, RRXX380, RSXX380	41451	9-41T	4.56	2.35-46		KIT 2342	Repl. by B-40358-2
A-40358-3	RPXX180, RRXX380, RSXX380	41451	9-41T	4.56	2.35-46	N	KIT 2342	Repl. by B-40358-3
A-40358-4	RPXX180, RRXX380, RSXX380	41451	9-41T	4.56	2.35-46	N, BR, SR	KIT 2342	Repl. by B-40358-4
A-40358	RPXX180, RRXX380, RSXX380	40357	9-41T	4.56	2.35-46		KIT 2342	Use A-40358-4
A-40360-1	RPXX180, RRXX380, RSXX380	40359	9-44T	4.89	2.35-46	N	KIT 2342	Repl. by A-40360-4
A-40360-2	RPXX180, RRXX380, RSXX380	41453	9-44T	4.89	2.35-46		KIT 2342	Repl. by B-40360-2
A-40360-3	RPXX180, RRXX380, RSXX380	41453	9-44T	4.89	2.35-46	N	KIT 2342	Repl. by B-40360-3
A-40360-4	RPXX180, RRXX380, RSXX380	41453	9-44T	4.89	2.35-46	N, BR, SR	KIT 2342	Repl. by B-40360-4
A-40360	RPXX180, RRXX380, RSXX380	40359	9-44T	4.89	2.35-46		KIT 2342	Use A-40360-4
A-40362-1	RPXX180, RRXX380, RSXX380	40361	8-43T	5.38	2.35-46	N	KIT 2342	Repl. by A-40362-4
A-40362-2	RPXX180, RRXX380, RSXX380	41455	8-43T	5.38	2.35-46		KIT 2342	Repl. by B-40362-2
A-40362-3	RPXX180, RRXX380, RSXX380	41455	8-43T	5.38	2.35-46	N	KIT 2342	Repl. by B-40362-3
A-40362-4	RPXX180, RRXX380, RSXX380	41455	8-43T	5.38	2.35-46	N, BR, SR	KIT 2342	Repl. by B-40362-4
A-40362	RPXX180, RRXX380, RSXX380	40361	8-43T	5.38	2.35-46		KIT 2342	Use A-40362-4
A-40364-1	RPXX180, RRXX380, RSXX380	40363	7-43T	6.14	2.35-46	N	KIT 2342	Repl. by A-40364-4

HARDWARE KEY

B - Bolt or Capscrew **BN** - Button **BR** - Bearing or Bearing Race **MN** - Metric Nut
N - Nut **Q** - Quill **R** - Retainer **RV** - Rivet
S - Shim **SG** - Spur Gear **SR** - Snap Ring or Lock Ring **W** - Washer

SPLINE SIZE KEY

T - Tapered **STR** - Straight

(1) Recommended fasteners, not included with gearset.

(gr) Ring gear

GEARSETS BY PART NUMBER

Gearset	Model	Pinion	Tooth Count	Ratio	Spline Size	Hardware Included	Gear to Case Fastener (1)	Remarks
A-40364-2	RPXX180, RRXX380, RSXX380	41457	7-43T	6.14	2.35-46		KIT 2342	Repl. by B-40364-2
A-40364-3	RPXX180, RRXX380, RSXX380	41457	7-43T	6.14	2.35-46	N	KIT 2342	Repl. by B-40364-3
A-40364-4	RPXX180, RRXX380, RSXX380	41457	7-43T	6.14	2.35-46	N, BR, SR	KIT 2342	Repl. by B-40364-4
A-40364	RPXX180, RRXX380, RSXX380	40363	7-43T	6.14	2.35-46		KIT 2342	Use A-40364-4
A-40366-1	RPXX180, RRXX380, RSXX380	40365	6-41T	6.83	2.35-46	N	KIT 2342	Repl. by A-40366-4
A-40366-2	RPXX180, RRXX380, RSXX380	41477	6-41T	6.83	2.35-46		KIT 2342	Repl. by B-40366-2
A-40366-3	RPXX180, RRXX380, RSXX380	41477	6-41T	6.83	2.35-46	N	KIT 2342	Repl. by B-40366-3
A-40366-4	RPXX180, RRXX380, RSXX380	41477	6-41T	6.83	2.35-46	N, BR, SR	KIT 2342	Repl. by B-40366-4
A-40366	RPXX180, RRXX380, RSXX380	40365	6-41T	6.83	2.35-46		KIT 2342	Use A-40366-4
A-40368-1	RPXX180, RRXX380, RSXX380	40367	6-43T	7.17	2.35-46	N	KIT 2342	Repl. by A-40368-4
A-40368-2	RPXX180, RRXX380, RSXX380	41479	6-43T	7.17	2.35-46		KIT 2342	Repl. by B-40368-2
A-40368-3	RPXX180, RRXX380, RSXX380	41479	6-43T	7.17	2.35-46	N	KIT 2342	Repl. by B-40368-3
A-40368-4	RPXX180, RRXX380, RSXX380	41479	6-43T	7.17	2.35-46	N, BR, SR	KIT 2342	Repl. by B-40368-4
A-40368	RPXX180, RRXX380, RSXX380	40367	6-43T	7.17	2.35-46		KIT 2342	Use A-40368-4
A-40370-1	TA267	40371	7-33T	4.71	1.75-STR	BR, SR	KIT 946	
A-40370-2		40411	7-33T	4.71	1.14T		KIT 946	No Longer Avail.
A-40370-3		40411	7-33T	4.71	1.14T	BR, N, SR	KIT 946	No Longer Avail.
A-40370-4		40413	7-33T	4.71	1.38T		KIT 946	No Longer Avail.
A-40370-5		40413	7-33T	4.71	1.38T	BR, N, SR	KIT 946	No Longer Avail.
A-40370	TA267	40371	7-33T	4.71	1.75-STR		KIT 946	
A-40372-1	RDXX160, RPXX160	40373	7-45T	6.43	2.50-50	MN	KIT 2426	Repl. by A-39892-1
A-40372	RDXX160, RPXX160	40373	7-45T	6.43	2.50-50		KIT 2426	Use A-39892-1
A-40482-1	MS113	42189	8-41T	5.13	1.75-34	N		
A-40484-1	MS113	42191	14-43T	3.07	1.75-34	N		
A-40486-1	MS113	42193	13-41T	3.15	1.75-34	N		
A-40488-1	MS113	42195	13-43T	3.31	1.75-34	N		
A-40490-1	MS113	42197	12-41T	3.42	1.75-34	N		
A-40492-1	MS113	42199	12-43T	3.58	1.75-34	N		
A-40494-1	MS113	42201	11-41T	3.73	1.75-34	N		
A-40496-1	MS113	42203	11-43T	3.91	1.75-34	N		
A-40498-1	TA268	40543	9-37T	4.11	1.38-10	BR, SR		No Longer Avail.
A-40498-2	TA267	40535	9-37T	4.11	1.14T			
A-40498-3	TA267	40535	9-37T	4.11	1.14T	BR, N, SR		
A-40498-4	TA267	40533	9-37T	4.11	1.14T			

HARDWARE KEY

B - Bolt or Capscrew **BN** - Button **BR** - Bearing or Bearing Race **MN** - Metric Nut
N - Nut **Q** - Quill **R** - Retainer **RV** - Rivet
S - Shim **SG** - Spur Gear **SR** - Snap Ring or Lock Ring **W** - Washer

SPLINE SIZE KEY

T - Tapered **STR** - Straight

(1) Recommended fasteners, not included with gearset.

(gr) Ring gear

GEARSETS BY PART NUMBER

Gearset	Model	Pinion	Tooth Count	Ratio	Spline Size	Hardware Included	Gear to Case Fastener (1)	Remarks
A-40498-5	TA267	40533	9-37T	4.11	1.14T	BR, N, SR		
A-40498-6	TA267	40531	9-37T	4.11	1.75-STR			
A-40498-7	TA267	40531	9-37T	4.11	1.75-STR	BR, SR		
A-40498	TA268	40543	9-37T	4.11	1.38-10			No Longer Avail.
A-40500-1	TA267	40537	6-34T	5.67	1.75-STR	BR, SR	KIT 946	
A-40500	TA267	40537	6-34T	5.67	1.75-STR		KIT 946	
A-40502-1	SHD, THD, UHD	41061	5-37T	7.40	2.62-26	N	KIT 2393	
A-40502-2	SHD w/Pump	41039	5-37T	7.40	2.62-26		KIT 2393	Repl. by A-40502-1
A-40502-3	SHD w/Pump	41039	5-37T	7.40	2.62-26	N	KIT 2393	No Longer Avail.
A-40502-4	R155 Type (RH)	41027	5-37T	7.40	2-39		KIT 2393	No Longer Avail.
A-40502-5	R155 Type (RH)	41027	5-37T	7.40	2-39	N	KIT 2393	No Longer Avail.
A-40502-8	R155 Type (RH)	41027	5-37T	7.40	2-39	BR, N, R, W	KIT 2393	No Longer Avail.
A-40502	SHD, THD, UHD	41061	5-37T	7.40	2.62-26		KIT 2393	
A-40504-1	R155, SHR	40989	11-41T	3.73	2-39	N	KIT 2393	No Longer Avail.
A-40504-2	R155, SHR	40989	11-41T	3.73	2-39	BR, N, R, W	KIT 2393	
A-40504-4	R155, SHR	40949	11-41T	3.73	1.96-10		KIT 2393	
A-40504-5	R155, SHR	40949	11-41T	3.73	1.96-10	N	KIT 2393	No Longer Avail.
A-40504	R155, SHR	40989	11-41T	3.73	2-39		KIT 2393	Repl. by A-40820
A-40534-1	R155, SHR	40991	10-39T	3.90	2-39	N	KIT 2393	
A-40534-2	R155, SHR	40951	10-39T	3.90	1.96-10		KIT 2393	
A-40534-3	R155, SHR	40951	10-39T	3.90	1.96-10	N	KIT 2393	
A-40534	R155, SHR	40991	10-39T	3.90	2-39		KIT 2393	
A-40536-1	R155, SHR	41483	9-37T	4.11	2-39	N	KIT 2393	
A-40536-2	R155, SHR	40953	9-37T	4.11	1.96-10		KIT 2393	No Longer Avail.
A-40536-3	R155, SHR	40953	9-37T	4.11	1.96-10	N	KIT 2393	No Longer Avail.
A-40536-4	SSHD	40993	9-37T	4.11	2-39	BR, SR, R, N		
A-40536	R155, SHR	40993	9-37T	4.11	2-39		KIT 2393	Repl. by A-40822
A-40538-1	C102, C103	40539	9-41T	4.56	1.38-10	N	KIT 947	No Longer Avail.
A-40538-2	C102, C103	41407	9-41T	4.56	1.35-26		KIT 947	No Longer Avail.
A-40538-3	C102, C103	41407	9-41T	4.56	1.35-26	N	KIT 947	No Longer Avail.
A-40538	C102, C103	40539	9-41T	4.56	1.38-10		KIT 947	No Longer Avail.
A-40542-1	R155, SHR	41459	9-39T	4.33	2-39	N	KIT 2393	
A-40542-2	R155, SHR	40955	9-39T	4.33	1.96-10		KIT 2393	No Longer Avail.
A-40542-3	R155, SHR	40955	9-39T	4.33	1.96-10	N	KIT 2393	No Longer Avail.
A-40542	R155, SHR	40995	9-39T	4.33	2-39		KIT 2393	Repl. by A-40808
A-40544-1	R155, SHR	41461	8-37T	4.63	2-39	N	KIT 2393	
A-40544-2	R155, SHR	40957	8-37T	4.63	1.96-10		KIT 2393	No Longer Avail.
A-40544-3	R155, SHR	40957	8-37T	4.63	1.96-10	N	KIT 2393	No Longer Avail.
A-40544-4	R155, SHR	41461	8-37T	4.63	2-39	BR, N, R, W	KIT 2393	
A-40544	R155, SHR	40997	8-37T	4.63	2-39		KIT 2393	Repl. by A-40810
A-40546-1	R155, SHR	40999	9-44T	4.89	2-39	N	KIT 2393	
A-40546-2	R155, SHR	40959	9-44T	4.89	1.96-10		KIT 2393	No Longer Avail.
A-40546-3	R155, SHR	40959	9-44T	4.89	1.96-10	N	KIT 2393	No Longer Avail.
A-40546-4	R155, SHR	40999	9-44T	4.89	2-39	BR, N, R, W	KIT 2393	
A-40546	R155, SHR	40999	9-44T	4.89	2-39		KIT 2393	Repl. by A-42922
A-40566-1	71000	41699	8-41T	5.13	2.35-46	MN, W	41X1104	
A-40632-1	RSXX180	41539	10-41T	4.10	2.35-46	MN, W		

HARDWARE KEY

B - Bolt or Capscrew **BN** - Button **BR** - Bearing or Bearing Race **MN** - Metric Nut
N - Nut **Q** - Quill **R** - Retainer **RV** - Rivet
S - Shim **SG** - Spur Gear **SR** - Snap Ring or Lock Ring **W** - Washer

SPLINE SIZE KEY

T - Tapered **STR** - Straight

(1) Recommended fasteners, not included with gearset.

(gr) Ring gear

GEARSETS BY PART NUMBER

Gearset	Model	Pinion	Tooth Count	Ratio	Spline Size	Hardware Included	Gear to Case Fastener (1)	Remarks
A-40634-1	RSXX180	41541	10-43T	4.30	2.35-46	MN, W		
A-40636-1	RSXX180	41537	11-43T	3.73	2.35-46	MN, W		
A-40638-1	RSXX180	41535	11-41T	3.90	2.35-46	MN, W		
A-40674-1	R155, SHR	41485	7-37T	5.29	2-39	N	KIT 2393	
A-40674-2	R155, SHR	41485	7-37T	5.29	2-39	BR, N, R, W	KIT 2393	No Longer Avail.
A-40674-3	R155, SHR	40961	7-37T	5.29	1.96-10		KIT 2393	No Longer Avail.
A-40674-4	R155, SHR	41485	7-37T	5.29	2-39	BR, N, R, W	KIT 2393	
A-40674-5	R155, SHR	41485	7-37T	5.29	2-39	BR, N, R, W	KIT 2393	
A-40674-6	R155, SHR	40961	7-37T	5.29	1.96-10	N	KIT 2393	No Longer Avail.
A-40674	R155, SHR	41001	7-37T	5.29	2-39		KIT 2393	Repl. by A-40824
A-40676-1	R155, SHR	41003	7-39T	5.57	2-39	N	KIT 2393	
A-40676-2	R155, SHR	40963	7-39T	5.57	1.96-10		KIT 2393	No Longer Avail.
A-40676-3	R155, SHR	40963	7-39T	5.57	1.96-10	N	KIT 2393	No Longer Avail.
A-40676-4	R155, SHR	41003	7-39T	5.57	2-39	BR, N, R, W	KIT 2393	No Longer Avail.
A-40676	R155, SHR	41003	7-39T	5.57	2-39		KIT 2393	No Longer Avail.
A-40678-1	R155, SHR	41489	6-37T	6.17	2-39	N	KIT 2393	
A-40678-2	R155, SHR	40965	6-37T	6.17	1.96-10		KIT 2393	No Longer Avail.
A-40678-3	R155, SHR	40965	6-37T	6.17	1.96-10	N	KIT 2393	No Longer Avail.
A-40678-4	R155, SHR	41489	6-37T	6.17	2-39	BR, N	KIT 2393	
A-40678-5	R155, SHR	40965	6-37T	6.17	1.96-10	BR, N, R, W	KIT 2393	No Longer Avail.
A-40678	R155, SHR	41005	6-37T	6.17	2-39		KIT 2393	Repl. by A-40828
A-40680-1	R155, SHR	41007	6-41T	6.83	2-39	N	KIT 2393	
A-40680-2	R155, SHR	41007	6-41T	6.83	2-39	BR, N, R, W	KIT 2393	Repl. by A-40680-4
A-40680-3	R155, SHR	41301	6-41T	6.83	1.96-10		KIT 2393	No Longer Avail.
A-40680-4	R155, SHR	41007	6-41T	6.83	2-39	BR, N, R, W	KIT 2393	
A-40680-6	R155, SHR	41301	6-41T	6.83	1.96-10	N	KIT 2393	No Longer Avail.
A-40680-7	R155, SHR	41301	6-41T	6.83	1.96-10	BR, N, R, W	KIT 2393	No Longer Avail.
A-40680	R155, SHR	41007	6-41T	6.83	2-39		KIT 2393	Repl. by A-42926
A-40682-1	R155, SHR	41009	5-37T	7.40	2-39	N	KIT 2393	
A-40682-2	R155, SHR	41009	5-37T	7.40	2-39	BR, N, R, W	KIT 2393	
A-40682-3	R155, SHR	40967	5-37T	7.40	1.96-10		KIT 2393	No Longer Avail.
A-40682-4	R155, SHR	41009	5-37T	7.40	2-39	BR, N, R, W	KIT 2393	Repl. by A-40682-2
A-40682-5	R155, SHR	40967	5-37T	7.40	1.96-10	N	KIT 2393	No Longer Avail.
A-40682-6	R155, SHR	40967	5-37T	7.40	1.96-10	BR, N, R, W	KIT 2393	No Longer Avail.
A-40682	R155, SHR	41009	5-37T	7.40	2-39		KIT 2393	
A-40684-1	R162, R163	41083	12-40T	3.33	2.62-26	N	KIT 948	Repl. by B-39264-1
A-40684	R162, R163	41083	12-40T	3.33	2.62-26		KIT 948	Repl. by B-39264
A-40686-1	R155, SHR	41085	12-40T	3.33	2-39	N	KIT 948	Repl. by A-38414-1
A-40686	R155, SHR	41085	12-40T	3.33	2-39		KIT 948	Repl. by A-38414
A-40702-1	RDXX145, RPXX145	41143	14-41T	2.93	2.35-46	N, W		No Longer Avail.
A-40726-1	SW180, SW280	41149	7-37T	5.29	2.35-46	N		No Longer Avail.
A-40736-1	SSHHD	41165	10-37T	3.70	2-39	N		
A-40736-2	SSHHD	41165	10-37T	3.70	2-39	N, BR, R, SR		
A-40754-1	C102, C103	40755	8-41T	5.13	1.38-10	N	KIT 947	
A-40754-2	C102, C103	41409	8-41T	5.13	1.35-26		KIT 947	No Longer Avail.
A-40754-3	C102, C103	41409	8-41T	5.13	1.35-26	N	KIT 947	No Longer Avail.
A-40754-5	C103	40755	8-41T	5.13	1.38-10	N		No Longer Avail.
A-40754	C102, C103	40755	8-41T	5.13	1.38-10		KIT 947	
A-40804-1	H350	41443	9-35T		1.62-10	N		
A-40804	H350	41443	9-35T		1.62-10			
A-40942-1	R155, SHR	40941	11-39T	3.55	2-39	N	KIT 2393	

HARDWARE KEY

B - Bolt or Capscrew **BN** - Button **BR** - Bearing or Bearing Race **MN** - Metric Nut
N - Nut **Q** - Quill **R** - Retainer **RV** - Rivet
S - Shim **SG** - Spur Gear **SR** - Snap Ring or Lock Ring **W** - Washer

SPLINE SIZE KEY

T - Tapered **STR** - Straight

(1) Recommended fasteners, not included with gearset.

(gr) Ring gear

GEARSETS BY PART NUMBER

Gearset	Model	Pinion	Tooth Count	Ratio	Spline Size	Hardware Included	Gear to Case Fastener (1)	Remarks
A-40942	R155, SHR	40941	11-39T	3.55	2-39		KIT 2393	No Longer Avail.
A-40944-1	C102, C103	40945	10-41T	4.10	1.38-10	W	KIT 947	Repl. by A-38714-1
A-40944	C102, C103	40945	10-41T	4.10	1.38-10		KIT 947	Repl. by A-38714
A-40990-3	RRXX180, RSXX180	41527	14-43T	3.08	2.35-46	N, W		Repl. by B-41806-1
A-40990-4	RRXX180, RSXX180	41527	14-43T	3.08	2.35-46	N, BR, S		No Longer Avail.
A-40998-1	RPXX180, RRXX380, RSXX380	41477	6-41T	6.83	2.35-46	N	KIT 2342	No Longer Avail.
A-40998-2	RPXX180, RRXX380, RSXX380	41477	6-41T	6.83	2.35-46	N, BR, SR	KIT 2342	No Longer Avail.
A-40998	RPXX180, RRXX380, RSXX380	41477	6-41T	6.83	2.35-46		KIT 2342	No Longer Avail.
A-41002-1	RRXX180, RSXX180	41153	5-37T	7.40	2.35-46	N, W		Repl. by B-41002-1
A-41002-2	RRXX180, RSXX180	41153	5-37T	7.40	2.35-46	N, BR, S, W		Repl. by B-41002-2
A-41004-1	RRXX180, RSXX180	39107	12-41T	3.42	2.35-46	N, W		Repl. by B-41004-4
A-41004-3	RRXX180, RSXX180	41531	12-41T	3.42	2.35-46	N, W		Repl. by B-41004-3
A-41004-4	RRXX180, RSXX180	41531	12-41T	3.42	2.35-46	N, BR, S, W		Repl. by B-41004-4
A-41006-1	RRXX180, RSXX180	39105	11-43T	3.91	2.35-46	N, W		Repl. by B-41006-4
A-41006-3	RRXX180, RSXX180	41537	11-43T	3.91	2.35-46	N, W		Repl. by B-41006-3
A-41006-4	RRXX180, RSXX180	41537	11-43T	3.91	2.35-46	N, W, BR, S		Repl. by B-41006-4
A-41008-1	RRXX180, RSXX180	39101	9-41T	4.56	2.35-46	N, W		Repl. by B-41008-4
A-41008-3	RRXX180, RSXX180	41543	9-41T	4.56	2.35-46	N, W		Repl. by B-41008-3
A-41008-4	RRXX180, RSXX180	41543	9-41T	4.56	2.35-46	N, BR, S		Repl. by B-41008-4
A-41010-1	RRXX180, RSXX180	39099	8-41T	5.13	2.35-46	N, W		Repl. by B-41010-4
A-41010-4	RRXX180, RSXX180	41547	8-41T	5.13	2.35-46	N, W, BR, S		Repl. by B-41010-4
A-41012-1	RRXX180, RSXX180	39097	7-41T	5.86	2.35-46	N, W		Repl. by B-41012-3
A-41012-3	RRXX180, RSXX180	41553	7-41T	5.86	2.35-46	N, W		Repl. by B-41012-3
A-41014-1	RRXX180, RSXX180	39103	10-43T	4.30	2.35-46	N, W		Repl. by B-41014-4
A-41014-3	RRXX180, RSXX180	41541	10-43T	4.30	2.35-46	N, W		Repl. by B-41014-3
A-41016-1	RRXX180, RSXX180	39111	11-41T	3.73	2.35-46	N, W		Repl. by B-41016-4
A-41016-3	RRXX180, RSXX180	41535	11-41T	3.73	2.35-46	N, W		Repl. by B-41016-3
A-41016-4	RRXX180, RSXX180	41535	11-41T	3.73	2.35-46	N, W, BR, S		Repl. by B-41016-4
A-41018-1	RRXX180, RSXX180	39113	10-41T	4.10	2.35-46	N, W		Repl. by B-41018-4
A-41018-3	RRXX180, RSXX180	41539	10-41T	4.10	2.35-46	N, W		Repl. by B-41018-3
A-41018-4	RRXX180, RSXX180	41539	10-41T	4.10	2.35-46	N, W, BR, S		Repl. by B-41018-4
A-41020-1	RRXX180, RSXX180	41155	6-43T	7.17	2.35-46	N, W		Repl. by B-41020-1
A-41020-2	RRXX180, RSXX180	41155	6-43T	7.17	2.35-46	N, W, BR, S		Repl. by B-41020-2
A-41022-1	RRXX180, RSXX180	41157	6-41T	6.83	2.35-46	N, W		Repl. by B-41022-1
A-41022-2	RRXX180, RSXX180	41157	6-41T	6.83	2.35-46	N, W, BR, S		Repl. by B-41022-2
A-41024-1	RRXX180, RSXX180	39511	7-45T	6.43	2.35-46	N, W		Repl. by B-41024-4
A-41024-4	RRXX180, RSXX180	41557	7-45T	6.43	2.35-46	N, W, BR, S		Repl. by B-41024-4
A-41026-1	RRXX180, RSXX180	39419	14-45T	3.21	2.35-46	N, W		Repl. by B-41026-4
A-41026-3	RRXX180, RSXX180	41529	14-45T	3.21	2.35-46	N, W		Repl. by B-41026-3
A-41026-4	RRXX180, RSXX180	41529	14-45T	3.21	2.35-46	N, W, BR, S		Repl. by B-41026-4
A-41028-1	RRXX180, RSXX180	39435	8-43T	5.38	2.35-46	N, W		Repl. by B-41028-4
A-41028-3	RRXX180, RSXX180	41549	8-43T	5.38	2.35-46	N, W		Repl. by B-41028-3
A-41028-4	RRXX180, RSXX180	41549	8-43T	5.38	2.35-46	N, W, BR, S		Repl. by B-41028-4
A-41030-1	RRXX180, RSXX180	39437	12-43T	3.58	2.35-46	N, W		Repl. by B-41030-4
A-41030-3	RRXX180, RSXX180	41533	12-43T	3.58	2.35-46	N, W		Repl. by B-41030-3
A-41030-4	RRXX180, RSXX180	41533	12-43T	3.58	2.35-46	N, W, BR, S		Repl. by B-41030-4
A-41032-1	RRXX180, RSXX180	39491	8-45T	5.63	2.35-46	N, W		Repl. by B-41032-4
A-41032-3	RRXX180, RSXX180	41551	8-45T	5.63	2.35-46	N, W		Repl. by B-41032-3

HARDWARE KEY

B - Bolt or Capscrew **BN** - Button **BR** - Bearing or Bearing Race **MN** - Metric Nut
N - Nut **Q** - Quill **R** - Retainer **RV** - Rivet
S - Shim **SG** - Spur Gear **SR** - Snap Ring or Lock Ring **W** - Washer

SPLINE SIZE KEY

T - Tapered **STR** - Straight

(1) Recommended fasteners, not included with gearset.

(gr) Ring gear

GEARSETS BY PART NUMBER

Gearset	Model	Pinion	Tooth Count	Ratio	Spline Size	Hardware Included	Gear to Case Fastener (1)	Remarks
A-41032-4	RRXX180, RSXX180	41551	8-45T	5.63	2.35-46	N, W, BR, S		Repl. by B-41032-4
A-41034-1	RRXX180, RSXX180	39493	9-44T	4.89	2.35-46	N, W		Repl. by B-41034-4
A-41034-3	RRXX180, RSXX180	41545	9-44T	4.89	2.35-46	N, W		Repl. by B-41034-3
A-41034-4	RRXX180, RSXX180	41545	9-44T	4.89	2.35-46	N, W, BR, S		Repl. by B-41034-4
A-41036-1	RRXX180, RSXX180	39785	7-43T	6.14	2.35-46	N, W		Repl. by B-41036-4
A-41036-3	RRXX180, RSXX180	41555	7-43T	6.14	2.35-46	N, W		Repl. by B-41036-3
A-41036-4	RRXX180, RSXX180	41555	7-43T	6.14	2.35-46	N, W, BR, S		Repl. by B-41036-4
A-41040-1	RRXX145, RSXX145	41299	14-41T	2.93	2-39	N, W		Repl. by A-41158-1
A-41064-1	RDXX160, RPXX160	39901	6-41T	6.83	2.50-50	MN	KIT 2426	
A-41064	RDXX160, RPXX160	39901	6-41T	6.83	2.50-50		KIT 2426	
A-41066-1	RRXX160, RSXX160	41295	6-41T	6.83	2.35-46	MN, W	KIT 2426	
A-41066-2	RRXX160, RSXX160	41295	6-41T	6.83	2.35-46	MN, BR, W, SR	KIT 2426	
A-41066	RRXX160, RSXX160	41295	6-41T	6.83	2.35-46		KIT 2426	
A-41100-1	RP611	41631K2	10-39T	3.90	2.30-45	N	KIT 2836	No Longer Avail.
A-41100	RP611	41631K2	10-39T	3.90	2.30-45			Use A-41100-1
A-41102-1	RF611, RR611, RS611	41633K2	10-39T	3.90	2.00-39	N	KIT 2836	
A-41102	RF611, RR611, RS611	41633K2	10-39T	3.90	2.00-39			Use A-41102-1
A-41104-1	RDXX145, RPXX145	41635	14-41T	2.93	2.35-46	MN, W	KIT 2317	
A-41104	RDXX145, RPXX145	41635	14-41T	2.93	2.35-46		KIT 2317	
A-41158-1	RRXX145, RSXX145	41657	14-41T	2.93	2-39	MN, W	KIT 2317	
A-41158	RRXX145, RSXX145	41657	14-41T	2.93	2-39		KIT 2317	
A-41164-2	RSXX140	41799	12-41T	3.42	1.75-34		KIT 2317	
A-41164-3	RSXX140	41799	12-41T	3.42	1.75-34	MN, W	KIT 2317	
A-41266-2	RSXX140	41809	9-39T	4.33	1.75-34		KIT 2317	
A-41266-3	RSXX140	41809	9-39T	4.33	1.75-34	MN, W	KIT 2317	
A-41268-1	RRXX145, RSXX145	41719	9-41T	4.63	2-39	N, W		Repl. by B-41268-1
A-41270-2	RSXX140	41813	8-39T	4.88	1.75-34		KIT 2317	
A-41270-3	RSXX140	41813	8-39T	4.88	1.75-34	MN, W	KIT 2317	
A-41272-1	RRXX145, RSXX145	41723	8-41T	5.13	2-39	MN, W	KIT 2317	
A-41272-2	RSXX140	41815	8-41T	5.13	1.75-34		KIT 2317	No Longer Avail.
A-41272-3	RSXX140	41815	8-41T	5.13	1.75-34	MN, W	KIT 2317	No Longer Avail.
A-41272	RRXX145, RSXX145	41723	8-41T	5.13	2-39		KIT 2317	
A-41274-1	RRXX145, RSXX145	41725	7-37T	5.29	2-39	MN, W	KIT 2317	Repl. by B-41274-1
A-41274-2	RSXX140	41817	7-37T	5.29	1.75-34		KIT 2317	No Longer Avail.
A-41274-3	RSXX140	41817	7-37T	5.29	1.75-34	MN, W	KIT 2317	No Longer Avail.
A-41274	RRXX145, RSXX145	41725	7-37T	5.29	2-39		KIT 2317	Repl. by B-41274
A-41280-1	RDXX145, RPXX145	41731	9-41T	4.63	2.35-46	N, W		Repl. by B-41280-1
A-41304-1	RSXX140	41747	7-39T	5.57	2-39	MN, W	KIT 2317	
A-41304-2	RSXX140	41819	7-39T	5.57	1.75-34		KIT 2317	
A-41304-3	RSXX140	41819	7-39T	5.57	1.75-34	MN, W	KIT 2317	
A-41304	RSXX140	41747	7-39T	5.57	2-39		KIT 2317	
A-41342-1	RP23153	41343	12-41T	3.42	2.55-50	MN, W		
A-41456-2	RSXX140	41821	7-41T	5.86	1.75-34		KIT 2317	No Longer Avail.
A-41456-3	RSXX140	41821	7-41T	5.86	1.75-34	MN, W	KIT 2317	No Longer Avail.
A-41458-1	RRXX145, RSXX145	41751	7-43T	6.14	2-39	MN, W	KIT 2317	
A-41458	RRXX145, RSXX145	41751	7-43T	6.14	2-39		KIT 2317	
A-41460-1	RRXX145, RSXX145	41753	7-45T	6.43	2-39	MN, W	KIT 2317	
A-41460-2	RSXX140	41823	7-45T	6.43	1.75-34		KIT 2317	
A-41460-3	RSXX140	41823	7-45T	6.43	1.75-34	MN, W	KIT 2317	

HARDWARE KEY

B - Bolt or Capscrew **BN** - Button **BR** - Bearing or Bearing Race **MN** - Metric Nut
N - Nut **Q** - Quill **R** - Retainer **RV** - Rivet
S - Shim **SG** - Spur Gear **SR** - Snap Ring or Lock Ring **W** - Washer

SPLINE SIZE KEY

T - Tapered **STR** - Straight

(1) Recommended fasteners, not included with gearset.

(gr) Ring gear

GEARSETS BY PART NUMBER

Gearset	Model	Pinion	Tooth Count	Ratio	Spline Size	Hardware Included	Gear to Case Fastener (1)	Remarks
A-41460	RRXX145, RSXX145	41753	7-45T	6.43	2-39		KIT 2317	
A-41462-1	RRXX145, RSXX145	41755	6-41T	6.83	2-39	MN, W	KIT 2317	
A-41462-2	RSXX140	41825	6-41T	6.83	1.75-34		KIT 2317	No Longer Avail.
A-41462-3	RSXX140	41825	6-41T	6.83	1.75-34	MN, W	KIT 2317	No Longer Avail.
A-41462	RRXX145, RSXX145	41755	6-41T	6.83	2-39		KIT 2317	
A-41464-1	RRXX145, RSXX145	41757	6-43T	7.17	2-39	MN, W	KIT 2317	Repl. by A-43426-1
A-41464-2	RSXX140	41827	6-43T	7.17	1.75-34		KIT 2317	No Longer Avail.
A-41464-3	RSXX140	41827	6-43T	7.17	1.75-34	MN, W	KIT 2317	No Longer Avail.
A-41464	RRXX145, RSXX145	41757	6-43T	7.17	2-39		KIT 2317	Repl. by A-43426
A-41468-1	RDXX145, RPXX145	41761	7-43T	6.14	2.35-46	MN, W	KIT 2317	
A-41468	RDXX145, RPXX145	41761	7-43T	6.14	2.35-46		KIT 2317	
A-41470-1	RDXX145, RPXX145	41763	7-45T	6.43	2.35-46	MN, W	KIT 2317	
A-41470	RDXX145, RPXX145	41763	7-45T	6.43	2.35-46		KIT 2317	
A-41472-1	RDXX145, RPXX145	41765	6-41T	6.83	2.35-46	MN, W	KIT 2317	
A-41472	RDXX145, RPXX145	41765	6-41T	6.83	2.35-46		KIT 2317	
A-41474-1	RDXX145, RPXX145	41767	6-43T	7.17	2.35-46	MN, W	KIT 2317	
A-41474	RDXX145, RPXX145	41767	6-43T	7.17	2.35-46		KIT 2317	
A-41490-1	RRXX145, RSXX145	41769	15-42T	2.80	2-39	MN, W	KIT 2317	Repl. by A-41682-1
A-41490	RRXX145, RSXX145	41769	15-42T	2.80	2-39		KIT 2317	Repl. by A-41682
A-41494-1	RRXX145, RSXX145	41773	14-41T	3.07	2-39	MN, W	KIT 2317	
A-41494	RRXX145, RSXX145	41773	14-41T	3.07	2-39		KIT 2317	
A-41496-1	RRXX145, RSXX145	41775	14-45T	3.21	2-39	MN, W	KIT 2317	
A-41496	RRXX145, RSXX145	41775	14-45T	3.21	2-39		KIT 2317	
A-41498-2	RSXX140	41801	12-43T	3.58	1.75-34		KIT 2317	No Longer Avail.
A-41498-3	RSXX140	41801	12-43T	3.58	1.75-34	MN, W	KIT 2317	No Longer Avail.
A-41500-2	RSXX140	41803	11-41T	3.73	1.75-34		KIT 2317	
A-41500-3	RSXX140	41803	11-41T	3.73	1.75-34	MN, W	KIT 2317	
A-41502-2	RSXX140	41508	11-43T	3.91	1.75-34		KIT 2317	Repl. by A-41684-2
A-41502-3	RSXX140	41508	11-43T	3.91	1.75-34	MN, W	KIT 2317	Repl. by A-41684-3
A-41504-1	RRXX145, RSXX145	41783	10-41T	4.10	2-39	MN, W	KIT 2317	Repl. by B-41686-1
A-41504-2	RSXX140	41807	10-41T	4.10	1.75-34		KIT 2317	Repl. by A-41686-2
A-41504-3	RSXX140	41807	10-41T	4.10	1.75-34	MN, W	KIT 2317	Repl. by A-41686-3
A-41504	RRXX145, RSXX145	41783	10-41T	4.10	2-39		KIT 2317	Repl. by B-41686
A-41506-1	RDXX145, RPXX145	41785	15-42T	2.80	2.35-46	MN, W	KIT 2317	Repl. by A-41676-1
A-41506	RDXX145, RPXX145	41785	15-42T	2.80	2.35-46		KIT 2317	Repl. by A-41676
A-41508-1	RDXX145, RPXX145	41787	14-43T	3.07	2.35-46	MN, W	KIT 2317	
A-41508	RDXX145, RPXX145	41787	14-43T	3.07	2.35-46		KIT 2317	
A-41510-1	RDXX145, RPXX145	41789	14-45T	3.21	2.35-46	MN, W	KIT 2317	
A-41510	RDXX145, RPXX145	41789	14-45T	3.21	2.35-46		KIT 2317	
A-41572-1	RRXX160, RSXX160	41833	15-42T	2.80	2.35-46	N, W		
A-41574-1	RRXX160, RSXX160	41835	14-43T	2.93	2.35-46	N, W		
A-41580-1	TA268	41869	7-41T	5.86	1.38-10	BR, S		
A-41588-1	RSXX120	41837	12-43T	3.58	1.75-34	N, R, W	KIT 2320	
A-41588	RSXX120	41837	12-43T	3.58	1.75-34		KIT 2320	
A-41598-1	RSXX120	41847	13-43T	3.31	1.75-34	MN, W		
A-41598	RSXX120	41847	13-43T	3.31	1.75-34	N, W		
A-41600-1	RSXX120	41849	11-41T	3.73	1.75-34	N, W		
A-41602-1	RSXX120	41851	9-41T	4.56	1.75-34	N, W		
A-41604-1	RSXX120	41853	8-39T	4.88	1.75-34	N, W		
A-41606-1	RSXX120	41855	8-41T	5.13	1.75-34	N, W		
A-41608-1	RSXX120	41857	7-37T	5.29	1.75-34	MN, W	KIT 2320	
A-41610-1	RSXX120	41859	6-41T	4.30	1.75-34	N, W		

HARDWARE KEY

B - Bolt or Capscrew **BN** - Button **BR** - Bearing or Bearing Race **MN** - Metric Nut
N - Nut **Q** - Quill **R** - Retainer **RV** - Rivet
S - Shim **SG** - Spur Gear **SR** - Snap Ring or Lock Ring **W** - Washer

SPLINE SIZE KEY

T - Tapered **STR** - Straight

(1) Recommended fasteners, not included with gearset.

(gr) Ring gear

GEARSETS BY PART NUMBER

Gearset	Model	Pinion	Tooth Count	Ratio	Spline Size	Hardware Included	Gear to Case Fastener (1)	Remarks
A-41612-1	61143	41871	9-41T	4.56	2.35-46	N, W		Repl. by A-41988-1
A-41614-1	61143	41873	12-43T	4.89	2.35-46	N, W		Repl. by A-41998-1
A-41616-1	RSXX120	41875	10-41T	4.10	1.75-34	N, W		
A-41634-1	RR160, RS160	41893K2	12-43T	3.07	2.35-46	N		Repl. by A-42002-1
A-41634	RR160, RS160	41893K2	12-43T	3.07	2.35-46			Use A-41634-1
A-41644-1	61143, RSXX160	41903	10-41T	4.10	2.35-46	N, W		Repl. by A-42006-1
A-41646-1	61143, RSXX160	41905	10-43T	4.30	2.35-46	N, W		Repl. by A-41996-1
A-41650-1	RF23180, RRXX180, RSXX180	41907	6-47T	7.83	2.35-46	N, W		Repl. by B-41650-1
A-41652-1	RR145	41911K2	8-41T	5.13	2.00-39	N		
A-41652	RR145	41911K2	8-41T	5.13	2.00-39			Use A-41652-1
A-41654-1	RRXX145, RSXX145	41913	9-39T	4.33	2-39	N, W		
A-41670-1	RF21160	42123	7-41T	5.86	2.35-46	N, W		No Longer Avail.
A-41672-1	RRXX145, RSXX145	42125	8-37T	4.63	2-39	N, W		
A-41676-1	RDXX145, RPXX145	42127	14-39T	2.79	2.35-46	MN	KIT 2317	
A-41678-1	RDXX145, RPXX145	42131	10-39T	3.90	2.35-46	N, W		Repl. by B-41678-1
A-41680-1	RDXX145, RPXX145	42133	9-37T	4.11	2.35-46	N, W		Repl. by B-41680-1
A-41682-1	RRXX145, RSXX145	42129	14-39T	2.79	2-39	MN, W	KIT 2317	
A-41684-1	RRXX145, RSXX145	42135	10-39T	3.90	2-39	N, W		Repl. by B-41684-1
A-41684-3	RSXX140	42267	10-39T	3.91	1.75-34	MN, W	KIT 2317	
A-41686-1	RRXX145, RSXX145	42137	9-37T	4.11	2-39	N, W		Repl. by B-41686-1
A-41686-3	RSXX140	42269	9-37T	4.10	1.75-34	MN, W	KIT 2317	No Longer Avail.
A-41692-1	TA268	42139	12-43T	3.58	1.14T	BR, S		
A-41692-2	TA268	42139	12-43T	3.58	1.14T	BR, S, N		
A-41712-1	61143	42155	14-41T	2.93	2.35-46	N		
A-41714-1	RRXX145, RSXX145	42157	8-39T	4.88	2-39	N, W		
A-41802-1	RRXX145, RSXX145	42265	10-41T	4.10	2-39	N, W		
A-41814-1	QHP, SL100, SQ100	42281	12-41T	3.42	2.10-41	SR, N		
A-41814-2	QHP, SL100, SQ100	42281	12-41T	3.42	2.10-41	SR, N, BR		
A-41814	QHP, SL100, SQ100	42281	12-41T	3.42	2.10-41			Use A-41814-1
A-41816-1	QHP, SL100, SQ100	42283		3.73		N, SR		
A-41816	QHP, SL100, SQ100	42283		3.73				Use A-41816-1
A-41818-1	LR100, QR100	42285		3.42		N, SR		
A-41818	LR100, QR100	42285		3.42				Use A-41818-1
A-41820-1	LR100, QR100	42287		3.73		W, N, SR		
A-41820	LR100, QR100	42287		3.73				Use A-41820-1
A-41828-1	RRXX160, RSXX160	42293	8-41T	5.13	2.35-46	MN, W		
A-41830-1	RRXX145, RSXX145	42295	11-43T	3.91	2-39	N, W		
A-41830	RRXX145, RSXX145	42295	11-43T	3.91	2-39			
A-41842-1	RCXX145, RSXX145	42305	12-43T	3.58	2-39	MN, W		
A-41844-1	RC26720	42307	25-37T	5.24	2.35-46	N, W		
A-41846-1	RCXX145, RSXX145	42309	7-43T	6.14	2-39	MN, W		
A-41896-1	MS113	42205	10-41T	4.10	1.79-34	N		
A-41898-1	MS113	42207	10-43T	4.30	1.79-34	N		
A-41900-1	MS113	42209	9-41T	4.56	1.79-34	N		
A-41902-1	MS113	42211	9-43T	4.78	1.79-34	N		
A-41904-1	MS113	42213	8-43T	5.38	1.79-34	N		
A-41906-1	MS113	42215	7-41T	5.86	1.79-34	N		
A-41908-1	MS113	42217	7-43T	6.14	1.79-34	N		

HARDWARE KEY

B - Bolt or Capscrew **BN** - Button **BR** - Bearing or Bearing Race **MN** - Metric Nut
N - Nut **Q** - Quill **R** - Retainer **RV** - Rivet
S - Shim **SG** - Spur Gear **SR** - Snap Ring or Lock Ring **W** - Washer

SPLINE SIZE KEY

T - Tapered **STR** - Straight

(1) Recommended fasteners, not included with gearset.

(gr) Ring gear

GEARSETS BY PART NUMBER

Gearset	Model	Pinion	Tooth Count	Ratio	Spline Size	Hardware Included	Gear to Case Fastener (1)	Remarks
A-41988-1	RRXX160, RSXX160	42383	9-41T	4.56	2.35-46	MN, W	KIT 2426	
A-41990-1	RRXX160, RSXX160	42375	14-45T	3.21	2.35-46	MN, W	KIT 2426	
A-41992-1	RRXX160, RSXX160	42377	12-43T	3.58	2.35-46	MN, W	KIT 2426	
A-41994-1	RRXX160, RSXX160	42379	11-41T	3.73	2.35-46	MN, W	KIT 2426	
A-41996-1	RRXX160, RSXX160	42381	10-43T	4.30	2.35-46	MN, W	KIT 2426	
A-41998-1	RRXX160, RSXX160	42385	9-44T	4.89	2.35-46	MN, W	KIT 2426	
A-42000-1	RRXX160, RSXX160	42387	8-43T	5.38	2.35-46	MN, W	KIT 2426	
A-42002-1	RRXX160, RSXX160	42391	14-43T	3.07	2.35-46	MN, W	KIT 2426	
A-42004-1	RRXX160, RSXX160	42393	12-41T	3.42	2.35-46	MN, W	KIT 2426	
A-42006-1	RRXX160, RSXX160	42395	10-41T	4.10	2.35-46	MN, W	KIT 2426	
A-42016-1	MXxx160	42317	10-41T	4.10	2.35-46	MN, W	KIT 2426	
A-42018-1	MXxx160	42319	9-41T	4.56	2.35-46	MN	KIT 2426	
A-42020-1	MXxx160	42321	9-44T	4.89	2.35-46	MN, W	KIT 2426	
A-42022-1	MXxx160	42323	7-37T	5.29	2.35-46	MN, W	KIT 2426	
A-42024-1	MXxx160	42325	8-43T	5.38	2.35-46	MN	KIT 2426	
A-42026-1	MXxx160	42327	7-43T	6.14	2.35-46	MN, W	KIT 2426	
A-42028-1	MXxx160	42329	6-41T	6.83	2.35-46	MN, W	KIT 2426	
A-42086-1	RSXX140	42525	7-39T	5.57	2-39	MN, W		
A-42088-1	MXxx160	42527	8-41T	5.13	2.35-46	MN, W	KIT 2426	
A-42090-1	MXxx160	42529	8-45T	5.63	2.35-46	MN, W	KIT 2426	
A-42092-1	MXxx160	42531	6-43T	7.17	2.35-46	MN	KIT 2426	
A-42128-1	MR20143	42551	9-37T	4.11	2-39	MN, W		
A-42172-1	MR20143	42615	14-39T	2.79	2-39	MN, W		
A-42196-1	RRXX160, RSXX160	42637	7-37T	5.29	2.35-46	MN, W		
A-42198-1	RSXX160	42639	7-37T	5.29	2.55-50	MN		
A-42200-1	MR20143	42641	12-37T	3.08	2-39	MN, W		
A-42202-1	MR20143	42643	11-37T	3.36	2-39	MN, W		
A-42204-1	MR20143	42645	11-39T	3.55	2-39	MN, W		
A-42272-1	RRXX140, RSXX140	42717	7-37T	5.29	2-39	MN, W		
A-42328-1	MXxx160	42755	7-41T	5.86	2.35-46	MN	KIT 2426	
A-42464-1	RRXX140, RSXX140	42841	7-41T	5.86	2-39	MN, W		
A-42466-1	RRXX160, RSXX160	42843	11-43T	3.91	2.35-46	MN, W	KIT 2426	
A-42468-1	RRXX160, RSXX160	42845	8-41T	5.13	2.35-46	MN, W		
A-42470-1	RRXX160, RSXX160	42847	8-45T	5.63	2.35-46	MN, W		
A-42630-1	RRXX160, RSXX160	42983	7-43T	6.14	2.35-46	MN, W	KIT 2426	
A-42676-1	RSXX120	43001	7-40T	5.86	1.75-34	MN, W, SR	KIT 2320	
A1-3889-F-32	79740	34899	12-25T		2.23-10	N		
A1-3889-L-272	FM, M240	3892P354	11-27T		2.01-10			
A1-3889-M-221	E300	3890C289	8-23T		1.49-10			
A1-3889-P-42	1337B	34643	13-23T		1.75T	N		
A1-3889-R-252	E300	3890S331	7-22T		1.49-10			LH Pinion
A1-3889-T-306	PR35	37587	6-35T	5.83	1.48-10		KIT 946	Use A3-3889-T-306
A1-3889-W-179	F3100	3890E369	9-22T		1.99-10	N		No Longer Avail.
A1-3889-W-283	F3310	3890A391	13-23T		1.94-10			Use A-3889-W-283
A1-3889-Y-311	PROJ 2801-3	3890Q433	6-34T	5.67				Repl. by A-40500
A1-3889-Z-156	SD353, SD354, SD454, SD500	3890N326	10-23T		2.02-10			Pinion internal spline-L.H.
A10-3889-L-272	RDD, TDD	37997	11-27T		2.50-25	N		LH Pinion
A2-3889-E-213	SD472	3890Y363	11-26T		2.02-10			
A2-3889-F-32	Q377	3890P250	12-25T		2.23-10	N		No Longer Avail.

HARDWARE KEY

B - Bolt or Capscrew **BN** - Button **BR** - Bearing or Bearing Race **MN** - Metric Nut
N - Nut **Q** - Quill **R** - Retainer **RV** - Rivet
S - Shim **SG** - Spur Gear **SR** - Snap Ring or Lock Ring **W** - Washer

SPLINE SIZE KEY

T - Tapered **STR** - Straight

(1) Recommended fasteners, not included with gearset.

(gr) Ring gear

GEARSETS BY PART NUMBER

Gearset	Model	Pinion	Tooth Count	Ratio	Spline Size	Hardware Included	Gear to Case Fastener (1)	Remarks
A2-3889-L-272	SRD, SRDD	35579	11-27T		2.24-10			
A2-3889-T-306	PR35	3890D420	6-35T	5.83	1.37T	BR, N, SR	KIT 946	RH Pinion
A2-3889-U-177	SD3010	3890G319	9-22T		2.01-10			No Longer Avail.
A3-3889-F-32	79742	3890M39	12-25T		2.23-10	N		
A3-3889-L-272	SQDD	35527	11-27T		2.80-16	Q		LH Pinion
A3-3889-N-170	SFD157	3890X362	9-21T		1.89-10			
A3-3889-T-306	PR35	37587	6-35T	5.83	1.48-10	BR, SR	KIT 946	RH Pinion
A4-3889-L-272	SQD, SQDD	35729	11-27T		2.01-10			
A5-3889-L-272	STDD	36243	11-27T		2.50-25	Q		
A9-3889-L-272	RDD, TDD	37987	11-27T		2.50-25	Q		LH Pinion
B-35166-9	R155, SHR	37827	5-37T	7.40	2-39	N		Repl. by A-40682-1
B-35208-10	R155, SHR	37839	8-37T	4.63	2-39	N		Repl. by A-40544-1
B-35470-5	R155, SHR	37837	9-44T	4.89	2-39		KIT 2393	No Longer Avail.
B-35470-6	R155, SHR	37837	9-44T	4.89	2-39	N	KIT 2393	No Longer Avail.
B-37756-1	PR700	37757	7-33T	4.71	2.38-24	N, BR, R, SR	KIT 2463	No Longer Avail.
B-37756	PR700	37757	7-33T	4.71	2.38-24		KIT 2463	No Longer Avail.
B-38428-1	R162, R163	36257	11-37T	3.36	2.62-26	N	KIT 2393	
B-38428	R162, R163	36257	11-37T	3.36	2.62-26		KIT 2393	
B-38706-1	R162, R163	38707	13-44T	3.38	2.62-26	N	KIT 2393	No Longer Avail.
B-38706	R162, R163	38707	13-44T	3.38	2.62-26		KIT 2393	No Longer Avail.
B-38800-1	R155, SHR	38801	9-41T	4.56	2-39	N		Repl. by A-40074-1
B-38806-1	R155, SHR	38807	10-41T	4.10	2-39	N		Repl. by A-40536-1
B-38810-1	R155, SHR	38811	10-43T	4.30	2-39	N		Repl. by A-40542-1
B-39004-1	R164	38889	8-43T	5.38	2-39	N	KIT 2393	No Longer Avail.
B-39004	R164	38889	8-43T	5.38	2-39		KIT 2393	No Longer Avail.
B-39264-1	R162	39263	12-40T	3.33	2.62-26	N		No Longer Avail.
B-39654-1	RDXX160, RDXX164, RPXX160, RPXX164	39871	14-43T	3.07	2.50-50	MN	KIT 2426	
B-39654	RDXX160, RDXX164, RPXX160, RPXX164	39871	14-43T	3.07	2.50-50		KIT 2426	
B-39656-1	RDXX160, RDXX164, RPXX160, RPXX164	39873	14-45T	3.21	2.50-50	MN	KIT 2426	
B-39656	RDXX160, RDXX164, RPXX160, RPXX164	39873	14-45T	3.21	2.50-50		KIT 2426	
B-39658-1	RDXX160, RDXX164, RPXX160, RPXX164	39875	12-41T	3.42	2.50-50	MN	KIT 2426	
B-39658	RDXX160, RDXX164, RPXX160, RPXX164	39875	12-41T	3.42	2.50-50		KIT 2426	
B-39660-1	RDXX160, RDXX164, RPXX160, RPXX164	39877	12-43T	3.58	2.50-50	MN	KIT 2426	
B-39660	RDXX160, RDXX164, RPXX160, RPXX164	39877	12-43T	3.58	2.50-50		KIT 2426	
B-39662-1	RDXX160, RDXX164, RPXX160, RPXX164	39879	11-41T	3.73	2.50-50	MN	KIT 2426	
B-39662	RDXX160, RDXX164, RPXX160, RPXX164	39879	11-41T	3.73	2.50-50		KIT 2426	
B-39664-1	RDXX160, RDXX164, RPXX160, RPXX164	39889	9-44T	4.89	2.50-50	MN	KIT 2426	
B-39664	RDXX160, RDXX164, RPXX160, RPXX164	39889	9-44T	4.89	2.50-50		KIT 2426	
B-39666-1	RDXX160, RDXX164, RPXX160, RPXX164	39893	8-43T	5.38	2.50-50	MN	KIT 2426	

HARDWARE KEY

B - Bolt or Capscrew **BN** - Button **BR** - Bearing or Bearing Race **MN** - Metric Nut
N - Nut **Q** - Quill **R** - Retainer **RV** - Rivet
S - Shim **SG** - Spur Gear **SR** - Snap Ring or Lock Ring **W** - Washer

SPLINE SIZE KEY

T - Tapered **STR** - Straight

(1) Recommended fasteners, not included with gearset.

(gr) Ring gear

GEARSETS BY PART NUMBER

Gearset	Model	Pinion	Tooth Count	Ratio	Spline Size	Hardware Included	Gear to Case Fastener (1)	Remarks
B-39666	RDXX160, RDXX164, RPXX160, RPXX164	39893	8-43T	5.38	2.50-50		KIT 2426	
B-39668-1	QR100	39781	7-54T	7.71	2-39	N, S, W		
B-39672-1	RDXX160, RDXX164, RPXX160, RPXX164	39895	8-45T	5.63	2.50-50	MN	KIT 2426	
B-39672	RDXX160, RDXX164, RPXX160, RPXX164	39895	8-45T	5.63	2.50-50		KIT 2426	
B-39674-1	RDXX160, RDXX164, RPXX160, RPXX164	39899	7-43T	6.14	2.50-50	MN	KIT 2426	
B-39674	RDXX160, RDXX164, RPXX160, RPXX164	39899	7-43T	6.14	2.50-50		KIT 2426	
B-39876-1	RDXX160, RDXX164, RPXX160, RPXX164	39881	11-43T	3.91	2.50-50	MN	KIT 2426	
B-39876	RDXX160, RDXX164, RPXX160, RPXX164	39881	11-43T	3.91	2.50-50		KIT 2426	
B-39878-1	RDXX160, RDXX164, RPXX160, RPXX164	39883	10-41T	4.10	2.50-50	MN	KIT 2426	
B-39878	RDXX160, RDXX164, RPXX160, RPXX164	39883	10-41T	4.10	2.50-50		KIT 2426	
B-39880-1	RDXX160, RDXX164, RPXX160, RPXX164	39885	10-43T	4.30	2.50-50	MN	KIT 2426	
B-39880	RDXX160, RDXX164, RPXX160, RPXX164	39885	10-43T	4.30	2.50-50		KIT 2426	
B-39882-1	RDXX160, RDXX164, RPXX160, RPXX164	39887	9-41T	4.56	2.50-50	MN	KIT 2426	
B-39882	RDXX160, RDXX164, RPXX160, RPXX164	39887	9-41T	4.56	2.50-50		KIT 2426	
B-39884-4	RRXX160, RRXX164, RSXX160, RSXX164	41277	11-43T	3.91	2.35-46		KIT 2426	
B-39884-5	RRXX160, RRXX164, RSXX160, RSXX164	41277	11-43T	3.91	2.35-46	MN, W	KIT 2426	
B-39884-6	RRXX160, RRXX164, RSXX160, RSXX164	41277	11-43T	3.91	2.35-46	MN, W, SR, BR	KIT 2426	
B-39886-4	RRXX160, RRXX164, RSXX160, RSXX164	41279	10-41T	4.10	2.35-46		KIT 2426	
B-39886-5	RRXX160, RRXX164, RSXX160, RSXX164	41279	10-41T	4.10	2.35-46	MN, W	KIT 2426	
B-39886-6	RRXX160, RRXX164, RSXX160, RSXX164	41279	10-41T	4.10	2.35-46	MN, W, SR, BR	KIT 2426	
B-39888-4	RRXX160, RRXX164, RSXX160, RSXX164	41281	10-43T	4.30	2.35-46		KIT 2426	
B-39888-5	RRXX160, RRXX164, RSXX160, RSXX164	41281	10-43T	4.30	2.35-46	MN, W	KIT 2426	
B-39888-6	RRXX160, RRXX164, RSXX160, RSXX164	41281	10-43T	4.30	2.35-46	MN, W, SR, BR	KIT 2426	
B-39890-4	RRXX160, RRXX164, RSXX160, RSXX164	41283	9-41T	4.56	2.35-46		KIT 2426	
B-39890-5	RRXX160, RRXX164, RSXX160, RSXX164	41283	9-41T	4.56	2.35-46	MN, W	KIT 2426	
B-39890-6	RRXX160, RRXX164, RSXX160, RSXX164	41283	9-41T	4.56	2.35-46	MN, W, SR, BR	KIT 2426	
B-39892-1	RDXX160, RDXX164, RPXX160, RPXX164	40373	7-45T	6.43	2.50-50	MN, W	KIT 2426	

HARDWARE KEY

B - Bolt or Capscrew **BN** - Button **BR** - Bearing or Bearing Race **MN** - Metric Nut
N - Nut **Q** - Quill **R** - Retainer **RV** - Rivet
S - Shim **SG** - Spur Gear **SR** - Snap Ring or Lock Ring **W** - Washer

SPLINE SIZE KEY

T - Tapered **STR** - Straight

(1) Recommended fasteners, not included with gearset.

(gr) Ring gear

GEARSETS BY PART NUMBER

Gearset	Model	Pinion	Tooth Count	Ratio	Spline Size	Hardware Included	Gear to Case Fastener (1)	Remarks
B-39892	RDXX160, RDXX164, RPXX160, RPXX164	40373	7-45T	6.43	2.50-50		KIT 2426	
B-39896-1	RDXX160, RDXX164, RPXX160, RPXX164	39903	6-43T	7.17	2.50-50	MN, W	KIT 2426	
B-39896	RDXX160, RDXX164, RPXX160, RPXX164	39903	6-43T	7.17	2.50-50		KIT 2426	
B-39898-4	RRXX160, RRXX164, RSXX160, RSXX164	41267	14-43T	3.07	2.35-46		KIT 2426	
B-39898-5	RRXX160, RRXX164, RSXX160, RSXX164	41267	14-43T	3.07	2.35-46	MN, W	KIT 2426	
B-39898-6	RRXX160, RRXX164, RSXX160, RSXX164	41267	14-43T	3.07	2.35-46	MN, W, SR, BR	KIT 2426	
B-39900-4	RRXX160, RRXX164, RSXX160, RSXX164	41269	14-45T	3.21	2.35-46		KIT 2426	
B-39900-5	RRXX160, RRXX164, RSXX160, RSXX164	41269	14-45T	3.21	2.35-46	MN, W	KIT 2426	
B-39900-6	RRXX160, RRXX164, RSXX160, RSXX164	41269	14-45T	3.21	2.35-46	MN, W, SR, BR	KIT 2426	
B-39902-4	RRXX160, RRXX164, RSXX160, RSXX164	41271	12-41T	3.42	2.35-46		KIT 2426	
B-39902-5	RRXX160, RRXX164, RSXX160, RSXX164	41271	12-41T	3.42	2.35-46	MN, W	KIT 2426	
B-39902-6	RRXX160, RRXX164, RSXX160, RSXX164	41271	12-41T	3.42	2.35-46	MN, W, SR, BR	KIT 2426	
B-39904-4	RRXX160, RRXX164, RSXX160, RSXX164	41273	12-43T	3.58	2.35-46		KIT 2426	
B-39904-5	RRXX160, RRXX164, RSXX160, RSXX164	41273	12-43T	3.58	2.35-46	MN, W	KIT 2426	
B-39904-6	RRXX160, RRXX164, RSXX160, RSXX164	41273	12-43T	3.58	2.35-46	MN, W, SR, BR	KIT 2426	
B-39906-4	RRXX160, RRXX164, RSXX160, RSXX164	41275	11-41T	3.73	2.35-46		KIT 2426	
B-39906-5	RRXX160, RRXX164, RSXX160, RSXX164	41275	11-41T	3.73	2.35-46	MN, W	KIT 2426	
B-39906-6	RRXX160, RRXX164, RSXX160, RSXX164	41275	11-41T	3.73	2.35-46	MN, W, SR, BR	KIT 2426	
B-40024-4	RRXX160, RRXX164, RSXX160, RSXX164	41285	9-44T	4.89	2.35-46		KIT 2426	
B-40024-5	RRXX160, RRXX164, RSXX160, RSXX164	41285	9-44T	4.89	2.35-46	MN, W	KIT 2426	
B-40024-6	RRXX160, RRXX164, RSXX160, RSXX164	41285	9-44T	4.89	2.35-46	BR, MN, SR, W	KIT 2426	
B-40104-4	RRXX160, RRXX164, RSXX160, RSXX164	41287	8-43T	5.38	2.35-46		KIT 2426	
B-40104-5	RRXX160, RRXX164, RSXX160, RSXX164	41287	8-43T	5.38	2.35-46	MN, W	KIT 2426	
B-40104-6	RRXX160, RRXX164, RSXX160, RSXX164	41287	8-43T	5.38	2.35-46	MN, W, BR, SR	KIT 2426	
B-40106-4	RRXX160, RRXX164, RSXX160, RSXX164	41289	8-45T	5.63	2.35-46		KIT 2426	
B-40106-5	RRXX160, RRXX164, RSXX160, RSXX164	41289	8-45T	5.63	2.35-46	MN, W	KIT 2426	
B-40106-6	RRXX160, RRXX164, RSXX160, RSXX164	41289	8-45T	5.63	2.35-46	MN, W, BR, SR	KIT 2426	

HARDWARE KEY

B - Bolt or Capscrew **BN** - Button **BR** - Bearing or Bearing Race **MN** - Metric Nut
N - Nut **Q** - Quill **R** - Retainer **RV** - Rivet
S - Shim **SG** - Spur Gear **SR** - Snap Ring or Lock Ring **W** - Washer

SPLINE SIZE KEY

T - Tapered **STR** - Straight

(1) Recommended fasteners, not included with gearset.

(gr) Ring gear

GEARSETS BY PART NUMBER

Gearset	Model	Pinion	Tooth Count	Ratio	Spline Size	Hardware Included	Gear to Case Fastener (1)	Remarks
B-40110-4	RRXX160, RRXX164, RSXX160, RSXX164	41291	7-34T	6.14	2.35-46		KIT 2426	
B-40110-5	RRXX160, RRXX164, RSXX160, RSXX164	41291	7-34T	6.14	2.35-46	MN, W	KIT 2426	
B-40110-6	RRXX160, RRXX164, RSXX160, RSXX164	41291	7-34T	6.14	2.35-46	MN, W, BR, SR	KIT 2426	
B-40116-4	RRXX160, RRXX164, RSXX160, RSXX164	41293	7-45T	6.43	2.35-46		KIT 2426	
B-40116-5	RRXX160, RRXX164, RSXX160, RSXX164	41293	7-45T	6.43	2.35-46	MN, W	KIT 2426	
B-40116-6	RRXX160, RRXX164, RSXX160, RSXX164	41293	7-45T	6.43	2.35-46	MN, W, BR, SR	KIT 2426	
B-40122-4	RRXX160, RRXX164, RSXX160, RSXX164	41297	6-43T	7.17	2.35-46		KIT 2426	
B-40122-5	RRXX160, RRXX164, RSXX160, RSXX164	41297	6-43T	7.17	2.35-46	MN, W	KIT 2426	
B-40122-6	RRXX160, RRXX164, RSXX160, RSXX164	41297	6-43T	7.17	2.35-46	MN, W, BR, SR	KIT 2426	
B-40160-7	R164	41071	11-41T	3.73	2.62-26	N		No Longer Avail.
B-40312-1	RPXX380, RRXX380, RSXX380	41567	7-37T	5.29	2.35-46	N	KIT 2342	Repl. by B-40312-4
B-40312-2	RPXX380, RRXX380, RSXX380	41567	7-37T	5.29	2.35-46		KIT 2342	
B-40312-3	RPXX380, RRXX380, RSXX380	41567	7-37T	5.29	2.35-46	N	KIT 2342	
B-40312-4	RPXX380, RRXX380, RSXX380	41567	7-37T	5.29	2.35-46	N, BR, SR	KIT 2342	
B-40312	RPXX380, RRXX380, RSXX380	41567	7-37T	5.29	2.35-46		KIT 2342	Repl. by B-40312-2
B-40324-2	RPXX380, RRXX380, RSXX380	41569	6-37T	6.17	2.35-46		KIT 2342	Repl. by B-40364-2
B-40324-3	RPXX380, RRXX380, RSXX380	41569	6-37T	6.17	2.35-46	N	KIT 2342	Repl. by B-40364-3
B-40324-4	RPXX380, RRXX380, RSXX380	41569	6-37T	6.17	2.35-46	N, BR, SR	KIT 2342	Repl. by B-40364-4
B-40352-1	RPXX380, RRXX380, RSXX380	40351	11-41T	3.73	2.35-46	N	KIT 2342	
B-40352-2	RPXX380, RRXX380, RSXX380	41445	11-41T	3.73	2.35-46		KIT 2342	
B-40352-3	RPXX380, RRXX380, RSXX380	41445	11-41T	3.73	2.35-46	N	KIT 2342	
B-40352-4	RPXX380, RRXX380, RSXX380	41445	11-41T	3.73	2.35-46	N, BR, SR	KIT 2342	
B-40352	RPXX380, RRXX380, RSXX380	40351	11-41T	3.73	2.35-46		KIT 2342	
B-40354-1	RPXX380, RRXX380, RSXX380	40353	10-41T	4.10	2.35-46	N	KIT 2342	Repl. by B-40354-4
B-40354-2	RPXX380, RRXX380, RSXX380	41447	10-41T	4.10	2.35-46		KIT 2342	
B-40354-3	RPXX380, RRXX380, RSXX380	41447	10-41T	4.10	2.35-46	N	KIT 2342	
B-40354-4	RPXX380, RRXX380, RSXX380	41447	10-41T	4.10	2.35-46	N, BR, SR	KIT 2342	

HARDWARE KEY

B - Bolt or Capscrew **BN** - Button **BR** - Bearing or Bearing Race **MN** - Metric Nut
N - Nut **Q** - Quill **R** - Retainer **RV** - Rivet
S - Shim **SG** - Spur Gear **SR** - Snap Ring or Lock Ring **W** - Washer

SPLINE SIZE KEY

T - Tapered **STR** - Straight

(1) Recommended fasteners, not included with gearset.

(gr) Ring gear

GEARSETS BY PART NUMBER

Gearset	Model	Pinion	Tooth Count	Ratio	Spline Size	Hardware Included	Gear to Case Fastener (1)	Remarks
B-40354	RPXX380, RRXX380, RSXX380	40353	10-41T	4.10	2.35-46		KIT 2342	Repl. by B-40354-2
B-40356-1	RPXX380, RRXX380, RSXX380	40355	10-43T	4.30	2.35-46	N	KIT 2342	Repl. by B-40356-4
B-40356-2	RPXX380, RRXX380, RSXX380	41449	10-43T	4.30	2.35-46		KIT 2342	
B-40356-3	RPXX380, RRXX380, RSXX380	41449	10-43T	4.30	2.35-46	N	KIT 2342	
B-40356-4	RPXX380, RRXX380, RSXX380	41449	10-43T	4.30	2.35-46	N, BR, SR	KIT 2342	
B-40356	RPXX380, RRXX380, RSXX380	40355	10-43T	4.30	2.35-46		KIT 2342	Repl. by B-40356-2
B-40358-1	RPXX380, RRXX380, RSXX380	41451	9-41T	4.56	2.35-46	N	KIT 2342	Repl. by B-40358-4
B-40358-2	RPXX380, RRXX380, RSXX380	41451	9-41T	4.56	2.35-46		KIT 2342	
B-40358-3	RPXX380, RRXX380, RSXX380	41451	9-41T	4.56	2.35-46	N	KIT 2342	
B-40358-4	RPXX380, RRXX380, RSXX380	41451	9-41T	4.56	2.35-46	N, BR, SR	KIT 2342	
B-40360-1	RPXX180, RPXX380	40359	9-44T	4.89	2.35-46	N		Repl. by B-40360-4
B-40360-2	RPXX380, RRXX380, RSXX380	41453	9-44T	4.89	2.35-46		KIT 2342	
B-40360-3	RPXX380, RRXX380, RSXX380	41453	9-44T	4.89	2.35-46	N	KIT 2342	
B-40360-4	RPXX380, RRXX380, RSXX380	41453	9-44T	4.89	2.35-46	N, BR, SR	KIT 2342	
B-40362-1	RPXX180, RPXX380	40361	8-43T	5.38	2.35-46	N		Repl. by B-40362-4
B-40362-2	RPXX380, RRXX380, RSXX380	41455	8-43T	5.38	2.35-46		KIT 2342	
B-40362-3	RPXX380, RRXX380, RSXX380	41455	8-43T	5.38	2.35-46	N	KIT 2342	
B-40362-4	RPXX380, RRXX380, RSXX380	41455	8-43T	5.38	2.35-46	N, BR, SR	KIT 2342	
B-40364-1	RPXX380, RRXX380, RSXX380	40363	7-43T	6.14	2.35-46	N	KIT 2342	Repl. by B-40364-4
B-40364-2	RPXX380, RRXX380, RSXX380	41457	7-43T	6.14	2.35-46		KIT 2342	
B-40364-3	RPXX380, RRXX380, RSXX380	41457	7-43T	6.14	2.35-46	N	KIT 2342	
B-40364-4	RPXX380, RRXX380, RSXX380	41457	7-43T	6.14	2.35-46	N, BR, SR	KIT 2342	
B-40364	RPXX380, RRXX380, RSXX380	40363	7-43T	6.14	2.35-46		KIT 2342	Repl. by B-40364-2
B-40366-1	RPXX380, RRXX380, RSXX380	40365	6-41T	6.83	2.35-46	N	KIT 2342	Repl. by B-40366-4
B-40366-2	RPXX380, RRXX380, RSXX380	41477	6-41T	6.83	2.35-46		KIT 2342	
B-40366-3	RPXX380, RRXX380, RSXX380	41477	6-41T	6.83	2.35-46	N	KIT 2342	
B-40366-4	RPXX380, RRXX380, RSXX380	41477	6-41T	6.83	2.35-46	N, BR, SR	KIT 2342	
B-40366	RPXX380, RRXX380, RSXX380	40365	6-41T	6.83	2.35-46		KIT 2342	Repl. by B-40366-2
B-40368-1	RPXX180, RPXX380	40367	6-43T	7.17	2.35-46	N		Repl. by B-40368-4

HARDWARE KEY

B - Bolt or Capscrew **BN** - Button **BR** - Bearing or Bearing Race **MN** - Metric Nut
N - Nut **Q** - Quill **R** - Retainer **RV** - Rivet
S - Shim **SG** - Spur Gear **SR** - Snap Ring or Lock Ring **W** - Washer

SPLINE SIZE KEY

T - Tapered **STR** - Straight

(1) Recommended fasteners, not included with gearset.

(gr) Ring gear

GEARSETS BY PART NUMBER

Gearset	Model	Pinion	Tooth Count	Ratio	Spline Size	Hardware Included	Gear to Case Fastener (1)	Remarks
B-40368-2	RP/RR/RSXX380	41479	6-43T	7.17	2.35-46		KIT 2342	
B-40368-3	RP/RR/RSXX380	41479	6-43T	7.17	2.35-46	N	KIT 2342	
B-40368-4	RP/RR/RSXX380	41479	6-43T	7.17	2.35-46	N, BR, SR	KIT 2342	
B-40558-1	71000	41691	10-41T	4.10	2.35-46	MN, W	41X1104	
B-40560-1	71000	41693	10-43T	4.30	2.35-46	MN, W	41X1104	
B-40562-1	71000	41695	9-41T	4.56	2.35-46	MN, W	41X1104	
B-40620-1	71000	41925	7-43T	6.14	2.35-46	MN, W	41X1104	
B-40644-1	71000	41941	8-45T	5.63	2.35-46	MN, W	41X1104	
B-40780-1	R162, R163	41303	13-44T	3.38	2.62-26	N	KIT 2393	No Longer Avail.
B-40780	R162, R163	41303	13-44T	3.38	2.62-26		KIT 2393	No Longer Avail.
B-40990-1	RRXX180, RSXX180	39109	13-40T	3.08	2.35-46	N, W		Repl. by B-41806-1
B-40990-2	RRXX180, RSXX180	41527	13-40T	3.08	2.35-46			Repl. by B-41806-1
B-40990-3	RRXX180, RSXX180	41527	13-40T	3.08	2.35-46	MN, W		Repl. by B-41806-1
B-40990-4	RRXX180, RSXX180	41527	13-40T	3.08	2.35-46	MN, BR, SR, W		Repl. by B-41806-1
B-41002-1	RRXX180, RSXX180	41153	5-37T	7.40	2.35-46	MN, W		
B-41002-2	RRXX180, RSXX180	41153	5-37T	7.40	2.35-46	MN, BR, SR, W		
B-41002	RRXX180, RSXX180	41153	5-37T	7.40	2.35-46			
B-41004-1	RRXX180, RSXX180	39107	12-41T	3.42	2.35-46	N, W		Repl. by B-41004-3
B-41004-2	RRXX180, RSXX180	41531	12-41T	3.42	2.35-46			
B-41004-3	RRXX180, RSXX180	41531	12-41T	3.42	2.35-46	MN, W		
B-41004-4	RRXX180, RSXX180	41531	12-41T	3.42	2.35-46	MN, BR, SR, W		
B-41006-1	RRXX180, RSXX180	39105	11-43T	3.91	2.35-46	N, W		Repl. by B-41006-3
B-41006-2	RRXX180, RSXX180	41537	11-43T	3.91	2.35-46			
B-41006-3	RRXX180, RSXX180	41537	11-43T	3.91	2.35-46	MN, W		
B-41006-4	RRXX180, RSXX180	41537	11-43T	3.91	2.35-46	MN, BR, SR, W		
B-41008-1	RRXX180, RSXX180	39101	9-41T	4.56	2.35-46	N, W		Repl. by B-41008-3
B-41008-2	RRXX180, RSXX180	41543	9-41T	4.56	2.35-46			
B-41008-3	RRXX180, RSXX180	41543	9-41T	4.56	2.35-46	MN, W		
B-41008-4	RRXX180, RSXX180	41543	9-41T	4.56	2.35-46	MN, BR, SR, W		
B-41010-1	RRXX180, RSXX180	39099	8-41T	5.13	2.35-46	N, W		Repl. by B-41010-3
B-41010-2	RRXX180, RSXX180	41547	8-41T	5.13	2.35-46			
B-41010-3	RRXX180, RSXX180	41547	8-41T	5.13	2.35-46	MN, W		
B-41010-4	RRXX180, RSXX180	41547	8-41T	5.13	2.35-46	MN, BR, SR, W		
B-41012-1	RRXX180, RSXX180	39097	7-41T	5.86	2.35-46	N, W		Repl. by B-41012-3
B-41012-2	RRXX180, RSXX180	41553	7-41T	5.86	2.35-46			
B-41012-3	RRXX180, RSXX180	41553	7-41T	5.86	2.35-46	MN, W		
B-41012-4	RRXX180, RSXX180	41553	7-41T	5.86	2.35-46	MN, BR, SR, W		
B-41014-1	RRXX180, RSXX180	39103	10-43T	4.30	2.35-46	N, W		Repl. by B-41014-3
B-41014-2	RRXX180, RSXX180	41541	10-43T	4.30	2.35-46			
B-41014-3	RRXX180, RSXX180	41541	10-43T	4.30	2.35-46	MN, W		
B-41014-4	RRXX180, RSXX180	41541	10-43T	4.30	2.35-46	MN, BR, SR, W		
B-41016-1	RRXX180, RSXX180	39111	11-41T	3.73	2.35-46	N, W		Repl. by B-41016-3
B-41016-2	RRXX180, RSXX180	41535	11-41T	3.73	2.35-46			
B-41016-3	RRXX180, RSXX180	41535	11-41T	3.73	2.35-46	MN, W		
B-41016-4	RRXX180, RSXX180	41535	11-41T	3.73	2.35-46	MN, BR, SR, W		
B-41018-1	RRXX180, RSXX180	39113	10-41T	4.10	2.35-46	N, W		Repl. by B-41018-3
B-41018-2	RRXX180, RSXX180	41539	10-41T	4.10	2.35-46			
B-41018-3	RRXX180, RSXX180	41539	10-41T	4.10	2.35-46	MN, W		
B-41018-4	RRXX180, RSXX180	41539	10-41T	4.10	2.35-46	MN, BR, SR, W		
B-41020-1	RRXX180, RSXX180	41155	6-43T	7.17	2.35-46	MN, W		
B-41020-2	RRXX180, RSXX180	41155	6-43T	7.17	2.35-46	MN, BR, SR, W		
B-41020	RRXX180, RSXX180	41155	6-43T	7.17	2.35-46			
B-41022-1	RRXX180, RSXX180	41157	6-41T	6.83	2.35-46	MN, W		

HARDWARE KEY

B - Bolt or Capscrew **BN** - Button **BR** - Bearing or Bearing Race **MN** - Metric Nut
N - Nut **Q** - Quill **R** - Retainer **RV** - Rivet
S - Shim **SG** - Spur Gear **SR** - Snap Ring or Lock Ring **W** - Washer

SPLINE SIZE KEY

T - Tapered **STR** - Straight

(1) Recommended fasteners, not included with gearset.

(gr) Ring gear

GEARSETS BY PART NUMBER

Gearset	Model	Pinion	Tooth Count	Ratio	Spline Size	Hardware Included	Gear to Case Fastener (1)	Remarks
B-41022-2	RRXX180, RSXX180	41157	6-41T	6.83	2.35-46	MN, BR, SR, W		
B-41022	RRXX180, RSXX180	41157	6-41T	6.83	2.35-46			
B-41024-1	RRXX180, RSXX180	39511	7-45T	6.43	2.35-46	N, W		Repl. by B-41024-3
B-41024-2	RRXX180, RSXX180	41557	7-45T	6.83	2.35-46			
B-41024-3	RRXX180, RSXX180	41557	7-45T	6.43	2.35-46	N, W		
B-41024-4	RRXX180, RSXX180	41557	7-45T	6.43	2.35-46	MN, BR, SR, W		
B-41026-1	RRXX180, RSXX180	41529	14-45T	3.21	2.35-46	N, W		Repl. by B-41026-3
B-41026-2	RRXX180, RSXX180	41529	14-45T	3.21	2.35-46			
B-41026-3	RRXX180, RSXX180	41529	14-45T	3.21	2.35-46	MN, W		
B-41026-4	RRXX180, RSXX180	41529	14-45T	3.21	2.35-46	MN, BR, SR, W		
B-41028-1	RRXX180, RSXX180	39435	8-43T	5.38	2.35-46	N, W		Repl. by B-41028-3
B-41028-2	RRXX180, RSXX180	41549	8-43T	5.38	2.35-46			
B-41028-3	RRXX180, RSXX180	41549	8-43T	5.38	2.35-46	MN, W		
B-41028-4	RRXX180, RSXX180	41549	8-43T	5.38	2.35-46	MN, BR, SR, W		
B-41030-1	RRXX180, RSXX180	39437	12-43T	3.58	2.35-46	N, W		Repl. by B-41030-3
B-41030-2	RRXX180, RSXX180	41533	12-43T	3.58	2.35-46			
B-41030-3	RRXX180, RSXX180	41533	12-43T	3.58	2.35-46	MN, W		
B-41030-4	RRXX180, RSXX180	41533	12-43T	3.58	2.35-46	MN, BR, SR, W		
B-41032-1	RRXX180, RSXX180	39491	8-45T	5.63	2.35-46	N, W		Repl. by B-41032-3
B-41032-2	RRXX180, RSXX180	41551	8-45T	5.63	2.35-46			
B-41032-3	RRXX180, RSXX180	41551	8-45T	5.63	2.35-46	MN, W		
B-41032-4	RRXX180, RSXX180	41551	8-45T	5.63	2.35-46	MN, BR, SR, W		
B-41034-1	RRXX180, RSXX180	39493	9-44T	4.89	2.35-46	N, W		Repl. by B-41034-3
B-41034-2	RRXX180, RSXX180	41545	9-44T	4.89	2.35-46			
B-41034-3	RRXX180, RSXX180	41545	9-44T	4.89	2.35-46	MN, W		
B-41034-4	RRXX180, RSXX180	41545	9-44T	4.89	2.35-46	MN, BR, SR, W		
B-41036-1	RRXX180, RSXX180	39785	7-43T	6.14	2.35-46	N, W		Repl. by B-41036-3
B-41036-2	RRXX180, RSXX180	41555	7-43T	6.14	2.35-46			
B-41036-3	RRXX180, RSXX180	41555	7-43T	6.14	2.35-46	MN, W		
B-41036-4	RRXX180, RSXX180	41555	7-43T	6.14	2.35-46	MN, BR, SR, W		
B-41064-1	RDXX160, RDXX164, RPXX160, RPXX164	39901	6-41T	6.83	2.50-50	MN	KIT 2426	
B-41064	RDXX160, RDXX164, RPXX160, RPXX164	39901	6-41T	6.83	2.50-50		KIT 2426	
B-41066-1	RRXX160, RRXX164, RSXX160, RSXX164	41295	6-41T	6.83	2.35-46	MN, W	KIT 2426	
B-41066-2	RRXX160, RSXX164	41295	6-41T	6.83	2.35-46	BR, LR, MN, W	KIT 2426	
B-41164-1	RR22145	41715	12-41T	3.42	2-39	MN, W	KIT 2317	
B-41164	RR22145	41715	12-41T	3.42	2-39		KIT 2317	
B-41266-1	RR22145	41717	9-39T	4.33	2-39	MN, W	KIT 2317	
B-41266	RR22145	41717	9-39T	4.33	2-39		KIT 2317	
B-41268-1	RR22145	41719	8-37T	4.63	2-39	MN, W	KIT 2317	
B-41268	RR22145	41719	8-37T	4.63	2-39		KIT 2317	
B-41270-1	RR22145	41721	8-39T	4.88	2-39	MN, W	KIT 2317	
B-41270	RR22145	41721	8-39T	4.88	2-39		KIT 2317	
B-41274-1	RR22145	41725	7-37T	5.29	2-39	MN, W	KIT 2317	
B-41274	RR22145	41725	7-37T	5.29	2-39		KIT 2317	
B-41276-1	RD22145, RP22145	41727	12-41T	3.42	2.35-46	MN, W	KIT 2317	
B-41276	RD22145, RP22145	41727	12-41T	3.42	2.35-46		KIT 2317	
B-41278-1	RDXX145, RPXX145	41729	9-39T	4.33	2.35-46	N, W		
B-41278	RD22145, RP22145	41729	9-39T	4.33	2.35-46		KIT 2317	
B-41280-1	RD22145, RP22145	41731	8-37T	4.63	2.35-46	MN, W	KIT 2317	

HARDWARE KEY

B - Bolt or Capscrew **BN** - Button **BR** - Bearing or Bearing Race **MN** - Metric Nut
N - Nut **Q** - Quill **R** - Retainer **RV** - Rivet
S - Shim **SG** - Spur Gear **SR** - Snap Ring or Lock Ring **W** - Washer

SPLINE SIZE KEY

T - Tapered **STR** - Straight

(1) Recommended fasteners, not included with gearset.

(gr) Ring gear

GEARSETS BY PART NUMBER

Gearset	Model	Pinion	Tooth Count	Ratio	Spline Size	Hardware Included	Gear to Case Fastener (1)	Remarks
B-41280	RD22145, RP22145	41731	8-37T	4.63	2.35-46		KIT 2317	
B-41282-1	RD22145, RP22145	41733	8-39T	4.88	2.35-46	MN, W	KIT 2317	
B-41282	RD22145, RP22145	41733	8-39T	4.88	2.35-46		KIT 2317	
B-41284-1	RD22145, RP22145	41735	7-37T	5.29	2.35-46	MN, W	KIT 2317	
B-41284	RD22145, RP22145	41735	7-37T	5.29	2.35-46		KIT 2317	
B-41456-1	RR22145	41749	7-41T	5.86	2-39	MN, W	KIT 2317	
B-41456	RR22145	41749	7-41T	5.86	2-39		KIT 2317	
B-41466-1	RD22145, RP22145	41759	7-41T	5.86	2.35-46	MN, W	KIT 2317	
B-41466	RD22145, RP22145	41759	7-41T	5.86	2.35-46		KIT 2317	
B-41498-1	RR22145	41777	12-43T	3.58	2-39	MN, W	KIT 2317	
B-41498	RR22145	41777	12-43T	3.58	2-39		KIT 2317	
B-41500-1	RR22145	41779	11-41T	3.73	2-39	MN, W	KIT 2317	
B-41500	RR22145	41779	11-41T	3.73	2-39		KIT 2317	
B-41502-1	RR22145	41781	11-43T	3.91	2-39	MN, W	KIT 2317	Repl. by B-41684-1
B-41502	RR22145	41781	11-43T	3.91	2-39		KIT 2317	Repl. by B-41684
B-41504-1	RR22145	41783	10-41T	4.10	2-39	MN, W	KIT 2317	Repl. by B-41686-1
B-41504	RR22145	41783	10-41T	4.10	2-39		KIT 2317	Repl. by B-41686
B-41512-1	RD22145, RP22145	41791	12-43T	3.58	2.35-46	MN, W	KIT 2317	
B-41512	RD22145, RP22145	41791	12-43T	3.58	2.35-46		KIT 2317	
B-41514-1	RD22145, RP22145	41793	11-41T	3.73	2.35-46	MN, W	KIT 2317	
B-41514	RD22145, RP22145	41793	11-41T	3.73	2.35-46		KIT 2317	
B-41516-1	RD22145, RP22145	41795	11-43T	3.91	2.35-46	MN, W	KIT 2317	Repl. by B-41678-1
B-41516	RD22145, RP22145	41795	11-43T	3.91	2.35-46		KIT 2317	Repl. by B-41678
B-41518-1	RD22145, RP22145	41797	10-41T	4.10	2.35-46	MN, W	KIT 2317	Repl. by B-41680-1
B-41518	RD22145, RP22145	41797	10-41T	4.10	2.35-46		KIT 2317	Repl. by B-41680
B-41530-1	RR22145	41715	12-41T	3.42	2-39	MN, W	KIT 2317	
B-41530	RR22145	41715	12-41T	3.42	2-39		KIT 2317	
B-41532-1	RR22145	41777	12-43T	3.58	2-39	MN, W	KIT 2317	
B-41532	RR22145	41777	12-43T	3.58	2-39		KIT 2317	
B-41534-1	RR22145	41779	11-41T	3.73	2-39	MN, W	KIT 2317	
B-41534	RR22145	41779	11-41T	3.73	2-39		KIT 2317	
B-41536-1	RR22145	41781	11-43T	3.91	2-39	MN, W	KIT 2317	
B-41536	RR22145	41781	11-43T	3.91	2-39		KIT 2317	
B-41538-1	RR22145	41783	10-41T	4.10	2-39	MN, W	KIT 2317	
B-41538	RR22145	41783	10-41T	4.10	2-39		KIT 2317	
B-41540-1	RR22145	41717	9-39T	4.33	2-39	MN, W	KIT 2317	
B-41540	RR22145	41717	9-39T	4.33	2-39		KIT 2317	
B-41542-1	RR22145	41831	9-41T	4.56	2-39	MN, W	KIT 2317	
B-41542-2	RSXX140	41811	9-41T	4.56	1.75-34		KIT 2317	
B-41542-3	RSXX140	41811	9-41T	4.56	1.75-34	MN, W	KIT 2317	
B-41542	RR22145	41831	9-41T	4.56	2-39		KIT 2317	
B-41544-1	RR22145	41721	8-39T	4.88	2-39	MN, W	KIT 2317	
B-41544	RR22145	41721	8-39T	4.88	2-39		KIT 2317	
B-41546-1	RR22145	41723	8-41T	5.13	2-39	MN, W	KIT 2317	
B-41546	RR22145	41723	8-41T	5.13	2-39		KIT 2317	
B-41548-1	RR22145	41725	7-37T	5.29	2-39	MN, W	KIT 2317	
B-41548	RR22145	41725	7-37T	5.29	2-39		KIT 2317	
B-41550-1	RR22145	41747	7-39T	5.57	2-39	MN, W	KIT 2317	
B-41550	RR22145	41747	7-39T	5.57	2-39		KIT 2317	
B-41552-1	RR22145	41749	7-41T	5.86	2-39	MN, W	KIT 2317	
B-41552	RR22145	41749	7-41T	5.86	2-39		KIT 2317	
B-41554-1	RR22145	41751	7-43T	6.14	2-39	MN, W	KIT 2317	
B-41554	RR22145	41751	7-43T	6.14	2-39		KIT 2317	

HARDWARE KEY

B - Bolt or Capscrew **BN** - Button **BR** - Bearing or Bearing Race **MN** - Metric Nut
N - Nut **Q** - Quill **R** - Retainer **RV** - Rivet
S - Shim **SG** - Spur Gear **SR** - Snap Ring or Lock Ring **W** - Washer

SPLINE SIZE KEY

T - Tapered **STR** - Straight

(1) Recommended fasteners, not included with gearset.

(gr) Ring gear

GEARSETS BY PART NUMBER

Gearset	Model	Pinion	Tooth Count	Ratio	Spline Size	Hardware Included	Gear to Case Fastener (1)	Remarks
B-41556-1	RR22145	41753	7-45T	6.43	2-39	MN, W	KIT 2317	
B-41556	RR22145	41753	7-45T	6.43	2-39		KIT 2317	
B-41558-1	RR22145	41755	6-41T	6.83	2-39	MN, W	KIT 2317	
B-41558	RR22145	41755	6-41T	6.83	2-39		KIT 2317	
B-41560-1	RR22145	41757	6-43T	7.17	2-39	MN, W	KIT 2317	No Longer Avail.
B-41560	RR22145	41757	6-43T	7.17	2-39		KIT 2317	No Longer Avail.
B-41562-1	RD22145, RP22145	41829	9-41T	4.56	2.35-46	MN, W	KIT 2317	
B-41562	RD22145, RP22145	41829	9-41T	4.56	2.35-46		KIT 2317	
B-41592-1	RSXX180	41845	15-44T	2.93	2.35-46	MN, W		
B-41650-1	RRXX180, RSXX180	41907	6-47T	7.83	2.35-46	MN, W, SR, BR		
B-41678-1	RD22145, RP22145	42131	10-39T	3.90	2.35-46	MN, W	KIT 2317	
B-41680-1	RD22145, RP22145	42133	9-37T	4.11	2.35-46	MN, W	KIT 2317	
B-41684-1	RR22145	42135	10-39T	3.90	2-39	MN, W	KIT 2317	
B-41686-1	RR22145	42137	9-37T	4.11	2-39	MN, W	KIT 2317	
B-41716-1	RRXX145, RSXX145	42159	12-41T	2.64	2-39	N, W		
B-41718-1	RRXX145, RSXX145	42161	12-41T	2.64	2-39	N, W		
B-41806-1	RRXX180, RSXX180	42273	14-43T	3.07	2.35-46	MN, W		
B-42120-1	MR20143	42547	14-37T	2.64	2-39	MN, W		
B-42198-1	RDXX160, RPXX160	42639	7-37T	5.29	2.55-50	MN, W		
B-42206-1	MR20143	42647	10-37T	3.70	2-39	MN, W		
B-42214-1	RDXX145, RPXX145	42655	11-37T	4.36	2.35-46	MN, W		
B-42216-1	RDXX145, RPXX145	42657	11-39T	3.46	2.35-46	MN, W		
B-42218-1	RRXX140, RSXX140	42659	10-37T	3.70	2.35-46	MN, W		
B-42292-1	71000	42719	8-43T	5.38	2.35-46	MN, W	41X1104	
B-42302-1	71000	42749	9-44T	4.89	2.35-46	MN, W	41X1104	
B-42776-1	RRXX160, RSXX160	43081	18-45T	2.50	2.35-46	MN, W		
B-43426-1	RRXX140, RSXX140	43379	6-43T	7.17	2-39	MN, W		
Q-41652-1	RCXX145, RSXX145	41911	8-41T	5.13	2-39	MN, W	KIT 2317	
Q-41654-1	RCXX145, RSXX145	41913	9-39T	4.33	2-39	MN, W	KIT 2317	
Q-41672-1	RCXX145, RSXX145	42125	8-37T	4.63	2-39	MN, W	KIT 2317	
Q-41714-1	RCXX145, RSXX145	42157	8-39T	4.88	2-39	MN, W	KIT 2317	
Q-41802-1	RCXX145, RSXX145	42265	10-41T	4.10	2-39	MN, W	KIT 2317	
Q-41830-1	RCXX145, RSXX145	42295	11-43T	3.91	2-39	MN, W	KIT 2317	
Q-41842-1	RCXX145, RSXX145	42305	12-43T	3.58	2-39	MN, W	KIT 2317	
Q-41846-1	RCXX145, RSXX145	2309	7-43T	6.14	2-39	MN, W	KIT 2317	
Q-42086-1	RRXX145	42525	7-39T	5.57	2-39	MN, W	KIT 2317	
Q-42098-1	RRXX145	42537	11-41T	3.73	2-39	MN, W	KIT 2317	
Q-42272-1	RRXX145	42717	7-37T	5.29	2-39	MN, W	KIT 2317	
Q-42464-1	RRXX145	42841	7-41T	5.86	2-39	MN, W	KIT 2317	

HARDWARE KEY

B - Bolt or Capscrew **BN** - Button **BR** - Bearing or Bearing Race **MN** - Metric Nut
N - Nut **Q** - Quill **R** - Retainer **RV** - Rivet
S - Shim **SG** - Spur Gear **SR** - Snap Ring or Lock Ring **W** - Washer

SPLINE SIZE KEY

T - Tapered **STR** - Straight

(1) Recommended fasteners, not included with gearset.

(gr) Ring gear

GEARSETS BY PINION NUMBER

Pinion	Gearset	Hardware Incl.	Remarks	Pinion	Gearset	Hardware Incl.	Remarks
12H1048	A-3510-2			34294 (gr)	A-34559-1		No Longer Avail.
12H1050	A-35536-2		Use A-35536-10	34296 (gr)	A-34297-1	BR, SR	
12H1052	A-35540-2			34296 (gr)	A-34297-3		
12H1125	A-35208-4	N	No Longer Avail.	34296 (gr)	A-34557-1		
12H1199	A-36222-1			34306 (gr)	A-34307-1	BR, SR	
12H1216	A-35688-1	N	No Longer Avail.	34306 (gr)	A-34307-3		
12H1337	A-35178-4	N	No Longer Avail.	34306 (gr)	A-34561-1		Repl. by A-34307-1
12H1547	A-35514-2			34328 (gr)	A-34329-1		
12H936	A-35544-1	N		34330 (gr)	A-34331-1		
2309	Q-41846-1	MN, W		34334 (gr)	A-34335-1		
33606 (gr)	A-33909-1			34336 (gr)	A-34337-1		
33608 (gr)	A-33911-1			34338 (gr)	A-34339-1		No Longer Avail.
33610 (gr)	A-33997-1			34339	A-34338-1	BR, N, SR	No Longer Avail.
33614 (gr)	A-33693-1			34339	A-34338		No Longer Avail.
33614 (gr)	A-33907-1			34379	A-33714		
33899	A-33872			34413	A-34412		
33903	A-33760			34506 (gr)	A-34507-1		Repl. by A-35371-1
33905	A-33650			34506 (gr)	A-34569-1		
33919	A-33778	BR, N, SR	No Longer Avail.	34533	A-34532		
33926 (gr)	A-33927-1	BR, SR		34541	A-34540		
33927	A-33926	BR, N, SR		34567	A-34566		
33930 (gr)	A-33931-1			34577	A-34800		Repl. by A-34800-10
33932 (gr)	A-33933-1			34601	A-34600		
33934 (gr)	A-33935-1			34603	A-34574		
33936 (gr)	A-33937-1			34607	A-34606		
33946 (gr)	A-33947-1			34609	A-34608		
33947	A-33946	BR, N, SR		34611	A-34610		
33953	A-33924			34613	A-34612		
33955	A-33944			34615	A-34614		
33957	A-33948			34617	A-34616		
33957	A-36302		No Longer Avail.	34619	A-3889-Z-52	N	
33975	A-33974			34631	A-3889-X-50	N	
33998 (gr)	A-33999-1			34643	A1-3889-P-42	N	
34258 (gr)	A-34259-1			34649	A-3889-D-160	N	No Longer Avail.
34258 (gr)	A-34271-1	BR, SR	No Longer Avail.	34663	A-34662		
34262 (gr)	A-34261-1			34665	A-34664		
34262 (gr)	A-34283-1	BR, SR	No Longer Avail.	34667	A-34666		
34264 (gr)	A-34263-1	BR, SR		34687	A-34686	N	
34274 (gr)	A-34275-1	BR, SR	No Longer Avail.	34693	A-34802-18		Repl. by A-34802-5
34275	A-34274-1	BR, N, SR		34693	A-34802	BR, SR	Repl. by A-34802-9
34275	A-34274			34695	A-34798	BR, SR	
34276 (gr)	A-34277-1	BR, SR	No Longer Avail.	34697	A-34802-11	BR, SR	No Longer Avail.
34276 (gr)	A-34281-1	BR, SR	Repl. by A-34724-1	34697	A-34802-19		No Longer Avail.
34279	A-34264-1		No Longer Avail.	34699	A-34798-11	BR, SR	No Longer Avail.
34279	A-34264	BR, N, SR	No Longer Avail.	34701-2	A-34800-13	BR, SR	No Longer Avail.
34283	A-34262-1	BR, N, SR		34712 (gr)	A-34713-1	BR, SR	No Longer Avail.
34283	A-34262-2			34713	A-34712-2	BR, N, SR	No Longer Avail.
34292 (gr)	A-34293-1	BR, SR		34713	A-34712-3		No Longer Avail.
34294 (gr)	A-34295-1	BR, SR		34719	A-34718	BR, N, SR	No Longer Available
34294 (gr)	A-34295-3			34729	A-34548		Repl. by A-34802-9

HARDWARE KEY

B - Bolt or Capscrew **BN** - Button **BR** - Bearing or Bearing Race **MN** - Metric Nut
N - Nut **Q** - Quill **R** - Retainer **RV** - Rivet
S - Shim **SG** - Spur Gear **SR** - Snap Ring or Lock Ring **W** - Washer

SPLINE SIZE KEY

T - Tapered **STR** - Straight

(1) Recommended fasteners, not included with gearset.

(gr) Ring gear

GEARSETS BY PINION NUMBER

Pinion	Gearset	Hardware Incl.	Remarks	Pinion	Gearset	Hardware Incl.	Remarks
34731	A-34626		Repl. by A-34798-10	34951	A-34342-1		No Longer Avail.
34733	A-34552		Repl. by A-34800-12	34951	A-34342-3	BR, N, SR	No Longer Avail.
34741	A-34740	N		34951	A-34342-5		
34741	A-34788	N		34951	A-34342-6	BR, SR	Repl. by A-34242-3
34761	A-34724-1	BR, N, SR	No Longer Avail.	34953	A-34952		
34761	A-34724-2		No Longer Avail.	34955	A-34954		
34771	A-34770	N		34959	A-34958-3	BR, N, SR	No Longer Avail.
34773	A-34502	BR, SR	Repl. by A-35370-3	34959	A-34958-4		
34777	A-34342			34959	A-34958-5	BR, SR	
34779	A-34506			34959	A-34958		No Longer Avail.
34795	A-34794-1		No Longer Avail.	34961	A-34960		
34795	A-34794	BR, N, SR	No Longer Avail.	34965	A-34944		
34805	A-34804			34967	A-34966-1	BR, W	No Longer Avail.
34807	A-34806			34967	A-34966		No Longer Avail.
34809	A-34808			34969	A-34968		No Longer Avail.
34811	A-34813		No Longer Avail.	34971	A-34970		Repl. by A-35168
34825	A-34824			34973	A-34870		
34827	A-34814-11	BR, SR		34975	A-34974		
34839	A-34812	N		34985	A-34984		No Longer Avail.
34845	A-34844			34987	A-34986		No Longer Avail.
34860 (gr)	A-34861-1			34989	A-34988		No Longer Avail.
34860 (gr)	A-34861-2	BR, SR		34991	A-34990		Repl. by A-35198-1
34861	A-34860-2	BR, N, SR	No Longer Avail.	34993	A-34532-1		Repl. by A-35290
34873	A-34872			34995	A-34994		
34877	A-34876		Repl. by A-36758	35015	A-35014-1	BR, SR	
34879	A-34872-2			35015	A-35014-2	BR, SR	
34880 (gr)	A-34881-1			35015	A-35014		
34883	A-34882	N		35019	A-35018		
34885	A-34726-1	BR, N, SR	No Longer Avail.	35021	A-35020		
34885	A-34726		No Longer Avail.	35023	A-34712-1	BR, N, SR	No Longer Avail.
34889	A-34888-1	BR, N, SR	No Longer Avail.	35023	A-34712		No Longer Avail.
34889	A-34888		No Longer Avail.	35023	A-35022		
34889	A-35712			35025	A-35024		
34890 (gr)	A-34891-1			35027	A-35026		
34895	A-34506-1		Repl. by A-35370	35029	A-35028		No Longer Avail.
34895	A-34506-2	BR, SR	Repl. by A-35370	35031	A-35030		Repl. by A-35812-18
34895	A-34858		Repl. by A-35370-5	35035	A-35034		
34897	A-34896			35037	A-35026-1		
34899	A-3889-F-32	N		35041	A-35002		Repl. by A-35132
34899	A-3889-M-273	N	LH Pinion	35043	A-35006		Repl. by A-40680-6
34899	A1-3889-F-32	N		35045	A-35008		
34904 (gr)	A-34905-1			35047	A-35012		
34907	A-34906-1			35049	A-34998		
34921	A-34920		Repl. by A-35352-1	35061	A-35060		No Longer Avail.
34923	A-34922		Repl. by A-35358	35063	A-35062	N	Repl. by A-35818-20
34925	A-34924		Repl. by A-35150	35065	A-35052-1		No Longer Avail.
34927	A-34926		Repl. by A-35146	35067	A-35056-1		
34929	A-34928		Use A-35162	35073	A-35072-1		No Longer Avail.
34941	A-34940		Repl. by A-35084	35073	A-35072	BR, SR	No Longer Avail.
34947	A-34946			35075	A-35074		

HARDWARE KEY

B - Bolt or Capscrew **BN** - Button **BR** - Bearing or Bearing Race **MN** - Metric Nut
N - Nut **Q** - Quill **R** - Retainer **RV** - Rivet
S - Shim **SG** - Spur Gear **SR** - Snap Ring or Lock Ring **W** - Washer

SPLINE SIZE KEY

T - Tapered **STR** - Straight

(1) Recommended fasteners, not included with gearset.

(gr) Ring gear

GEARSETS BY PINION NUMBER

Pinion	Gearset	Hardware Incl.	Remarks	Pinion	Gearset	Hardware Incl.	Remarks
35077	A-35076			35151	A-35614		No Longer Avail.
35079	A-34872-1			35153	A-35140		
35085	A-35084			35153	A-35153-1		
35087	A-35086			35155	A-35154		
35095	A-35094-1		No Longer Avail.	35159	A-35158-1	BR, SR	Repl. by A-35812-11
35097	A-35096			35159	A-35158-2	N	Repl. by A-35812-18
35099	A-35098			35159	A-35158		Use A-35812-18
35101	A-35100			35159	A-35812-1		Repl. by A-35812-11
35103	A-35102			35159	A-35812-2	BR, SR	Use A-35812-11
35105	A-35104		Use A-35612-2	35159	A-35812-5	R	Use A-35812-11
35105	A-35612-1	BR, N, SR		35159	A-35812-6	BR, R, SR	Use A-35812-11
35105	A-35612-2	N		35161	A-35160-1	BR, SR	
35105	A-35612			35161	A-35160	BR, N, SR	
35127	A-35126-2	BR, SR		35163	A-35162-1	BR, SR	Repl. by A-35622-1
35127	A-35126-9			35163	A-35162-2		Use A-35622-3
35129	A-35354-1	BR, N, SR	No Longer Avail.	35163	A-35162		Use A-35622-3
35129	A-35354-2	N	No Longer Avail.	35163	A-35622-1	BR, N, SR	No Longer Avail.
35129	A-35354		No Longer Avail.	35163	A-35622-2	N, R	Use A-35622-3
35131	A-35350-1	BR, N, SR	No Longer Avail.	35163	A-35622-3	N	No Longer Avail.
35131	A-35350-2	N		35163	A-35622		No Longer Avail.
35131	A-35350-4	N	No Longer Avail.	35165	A-35164		Repl. by A-35356-1
35131	A-35350		No Longer Avail.	35165	A-35356-1	BR, N, SR	No Longer Avail.
35133	A-35132			35165	A-35356-2		
35139	A-35138			35165	A-35356		No Longer Avail.
35139	A-35352-1	BR, N, SR	No Longer Avail.	35165	A-37492-1		
35139	A-35352-2	N	Use A-35352-1	35165	A-37492-2	N	
35139	A-35352-3	N		35165	A-37492	BR, SR	
35139	A-35352		Use A-35352-1	35169	A-35168-1	BR, SR	
35141	A-35140-1			35169	A-35168-2		
35143	A-35142-1	BR, N, SR	Repl. by A-40498-5	35169	A-35168-3		
35143	A-35142-5		Repl. by A-40498-4	35169	A-35168		
35145	A-35144		No Longer Avail.	35169	A-35618-2	N	Use A-35618-5
35147	A-35146-1	BR, SR		35169	A-35618-3		
35147	A-35146-2		No Longer Avail.	35169	A-35618-4	BR, N, SR	No Longer Avail.
35147	A-35146			35169	A-35618-5	N	No Longer Avail.
35147	A-35616-1	N		35169	A-35618		No Longer Avail.
35147	A-35616-2	BR, SR	Use A-35616-7	35171	A-35170-1	BR, SR	No Longer Avail.
35147	A-35616-3	RV	Use A-35616-1	35171	A-35170-2	N	No Longer Avail.
35147	A-35616-4	SR	Use A-35616-1	35171	A-35170		No Longer Avail.
35147	A-35616-5	BR, N, SR	Use A-35616-7	35173	A-35172-1	BR, N, SR	No Longer Avail.
35147	A-35616-7	BR, N, SR		35173	A-35172-3	N	No Longer Avail.
35147	A-35616		Use A-35616-1	35173	A-35172		No Longer Avail.
35149	A-35148		No Longer Avail.	35175	A-34610-1		
35151	A-35150-1	BR, SR		35177	A-35176		No Longer Avail.
35151	A-35150-2			35181	A-35180-1	BR, SR	
35151	A-35150			35181	A-35358-1	BR, N, SR	
35151	A-35614-1	BR, N, SR	No Longer Avail.	35181	A-35358-2		
35151	A-35614-2	RV	Use A-35614-1	35181	A-35358		Repl. by A-35358-1
35151	A-35614-5	B, BR, N, SR, W	No Longer Avail.	35184 (gr)	A-35185-1		

HARDWARE KEY

B - Bolt or Capscrew	BN - Button	BR - Bearing or Bearing Race	MN - Metric Nut
N - Nut	Q - Quill	R - Retainer	RV - Rivet
S - Shim	SG - Spur Gear	SR - Snap Ring or Lock Ring	W - Washer

SPLINE SIZE KEY

T - Tapered **STR** - Straight

(1) Recommended fasteners, not included with gearset.

(gr) Ring gear

GEARSETS BY PINION NUMBER

Pinion	Gearset	Hardware Incl.	Remarks	Pinion	Gearset	Hardware Incl.	Remarks
35184 (gr)	A-35185-2	BR, SR	No Longer Avail.	35251	A-35862	N, W	No Longer Avail.
35185	A-35184-3	BR, N, SR	No Longer Avail.	35253	A-35252		
35187	A-34614-1			35255	A-35254		
35191	A-35190			35257	A-35256-4		No Longer Avail.
35195	A-35194-1		No Longer Avail.	35257	A-35256	BR, SR, W	Repl. by A-40370-3
35195	A-35194-3	N	No Longer Avail.	35259	A-35256-1		Use A-40370-5
35195	A-35194		No Longer Avail.	35259	A-35256-3	BR, N, SR	Repl. by A-40370-5
35197	A-35172-2		No Longer Avail.	35259	A-35256-6		Use A-40370-5
35197	A-35172-4	N	No Longer Avail.	35259	A-35256-7	BR, SR	Use A-40370-5
35199	A-35198-1	BR, SR		35263	A-34906-2		
35199	A-35198			35263	A-34906	N	
35201	A-35200-2	N	No Longer Avail.	35265	A-35264	N	Repl. by A-35460-2
35201	A-35200		No Longer Avail.	35266 (gr)	A-35267-1	BR, SR	No Longer Avail.
35203	A-35202-1	BR, SR	Repl. by A-35818-12	35267	A-35266-1	BR, N, SR	No Longer Avail.
35203	A-35202	N	Repl. by A-35818-20	35267	A-35266		No Longer Avail.
35203	A-35818-1	N	Repl. by A-35818-20	35269	A-35268		No Longer Avail.
35203	A-35818-2	BR, SR	Use A-35818-12	35271	A-35260		Threaded w/keyway
35203	A-35818-4	N, R	Use A-35818-20	35271	A-35270		
35203	A-35818-6		Repl. by A-35818-20	35273	A-35272-1	BR, N, SR	No Longer Avail.
35205	A-35126	BR, SR	No Longer Avail.	35273	A-35272		No Longer Avail.
35207	A-34612-1			35275	A-35274		
35211	A-35210-1			35283	A-35280		
35211	A-35210	N		35285	A-35284		No Longer Avail.
35211	A-35252-5			35287	A-35286-1		
35215	A-35214-1			35289	A-35286		
35215	A-35214-2	BR, N, SR	No Longer Avail.	35291	A-35290		
35217	A-35052-3	N	No Longer Avail.	35293	A-35292-1	N, W	No Longer Avail.
35217	A-35052		No Longer Avail.	35293	A-35292		No Longer Avail.
35219	A-35054-1	N	No Longer Avail.	35293	A-35860-1		Repl. by A-38272
35219	A-35054		No Longer Avail.	35293	A-35860	N, W	Repl. by A-38272-1
35221	A-35056			35295	A-35294	BR, N, SR	
35223	A-35058			35297	A-35296-1	BR, N, SR	No Longer Avail.
35225	A-35094			35297	A-35296		Use A-35296-1
35227	A-35194-2		No Longer Avail.	35299	A-35198-2		
35227	A-35194-4	N	No Longer Avail.	35299	A-35198-3	N	
35231	A-35110-1	N		35301	A-35300		Repl. by A-35406
35231	A-35110		Coach Spline Bore	35303	A-35302-3		
35233	A-35120-1	N	No Longer Avail.	35303	A-35302	N	
35233	A-35120		No Longer Avail.	35305	A-35304-1		Use A-35804-23
35237	A-35236-1			35305	A-35304-2	BR, SR	Use A-35804-11
35237	A-35236-2			35305	A-35304-3	N	Use A-35804-23
35237	A-35236			35305	A-35804-1		Repl. by A-35804-25
35241	A-34978			35305	A-35804-2	S	Use A-35804-23
35243	A-34980			35305	A-35804-4	N	Use A-35804-23
35245	A-34982			35305	A-35804-5	R, S	Use A-35804-23
35247	A-35016			35307	A-35306	N	
35249	A-35238			35309	A-35184-2	BR, SR	
35251	A-35188-1	N, W	No Longer Avail.	35309	A-35370-2	BR, SR	
35251	A-35188		No Longer Avail.	35311	A-35134-1	N, R, BR, W	No Longer Avail.
35251	A-35862-1		No Longer Avail.	35311	A-35134-2	N, R, W	No Longer Avail.

HARDWARE KEY

B - Bolt or Capscrew **BN** - Button **BR** - Bearing or Bearing Race **MN** - Metric Nut
N - Nut **Q** - Quill **R** - Retainer **RV** - Rivet
S - Shim **SG** - Spur Gear **SR** - Snap Ring or Lock Ring **W** - Washer

SPLINE SIZE KEY

T - Tapered **STR** - Straight

(1) Recommended fasteners, not included with gearset.

(gr) Ring gear

GEARSETS BY PINION NUMBER

Pinion	Gearset	Hardware Incl.	Remarks	Pinion	Gearset	Hardware Incl.	Remarks
35311	A-35134-3	N, R, RV, W	No Longer Avail.	35319	A-35178-3	N, R, W	Use A-40536-3
35311	A-35134-4	N, RV	Use A-40680-6	35319	A-35178-5		Repl. by A-40536-2
35311	A-35134-5	N	No Longer Avail.	35319	A-35178-7	BR, R, W	Use A-40536-3
35311	A-35134-6	BR, N, R, W	Repl. by A-40680-7	35319	A-35178-8	BR, N, R, W	No Longer Avail.
35311	A-35134-9	N	No Longer Avail.	35319	A-35178	N	No Longer Avail.
35311	A-35134		Repl. by A-40680-3	35319	A-35516-1		Use A-40536-3
35311	A-35922-1	N	No Longer Avail.	35319	A-37222-1	N	
35311	A-35922		No Longer Avail.	35319	A-37222		
35311	A-37298-1	N	No Longer Avail.	35321	A-35208-1	N, RV	Use A-40544-3
35311	A-37298		No Longer Avail.	35321	A-35208-2	N, R, W	Use A-40544-3
35313	A-35136-1	BR, R, W	Use A-40674-6	35321	A-35208-3	N, R, RV, W	Use A-40544-3
35313	A-35136-13	B, N, W	Use A-40674-6	35321	A-35208-5	BR, R, W	No Longer Avail.
35313	A-35136-2	R, W	Use A-40674-6	35321	A-35208-6		Repl. by A-40544-2
35313	A-35136-3	R, W, SR, RV	Use A-40674-6	35321	A-35208-7	BR, R, W	Use A-40544-3
35313	A-35136-5	N, RV	Use A-40674-6	35321	A-35208-8	BR, N, R, W	Use A-40544-3
35313	A-35136-6	N, R, W	Use A-40674-6	35321	A-35208	N	No Longer Avail.
35313	A-35136-8	BR, N, R, W	Use A-40674-6	35323	A-35322		
35313	A-35136-9	N	Repl. by A-40674-6	35323	A-35360-1	BR, SR	
35313	A-35136		Repl. by A-40674-3	35323	A-35360-4	BR, N, SR	No Longer Avail.
35313	A-35930-1	N	Repl. by A-40674-6	35323	A-35360-5	N	
35313	A-35930		Use A-40674-6	35323	A-35360		Use A-35360-4
35313	A-37334-1	N	No Longer Avail.	35325	A-35324-1	N	
35313	A-37334		No Longer Avail.	35325	A-35324		
35315	A-35156-1	BR, N, R, W	Repl. by A-40678-5	35327	A-35326-1		Repl. by A-35806-19
35315	A-35156-10	B, BR, N, R W		35327	A-35326-2	BR, SR	Use A-35806-11
35315	A-35156-11	W, N, B, N	Use A-40678-3	35327	A-35326		Use A-35806-19
35315	A-35156-2	N, R, W	Use A-40678-3	35327	A-35806-1		Use A-35806-11
35315	A-35156-3	R, RV, W	Use A-40678-3	35327	A-35806-2	S	Use A-35806-11
35315	A-35156-4	N	Repl. by A-40678-3	35327	A-35806-3	BR, SR	Use A-35806-11
35315	A-35156-5	N, R	Use A-40678-3	35327	A-35806-4	R, S	Use A-35806-11
35315	A-35156-6	BR, N, R, W	No Longer Avail.	35329	A-35328-1		Use A-35808-19
35315	A-35156-7	N	No Longer Avail.	35329	A-35328-2	BR, SR	Use A-35808-12
35315	A-35156		No Longer Avail.	35329	A-35328		Use A-35808-19
35317	A-35166-1	BR, N, R, W	No Longer Avail.	35329	A-35808-1		Use A-35808-12
35317	A-35166-10	W, N, B, N	Use A-40682-5	35329	A-35808-2	S	Use A-35808-12
35317	A-35166-2	N, R, W	Use A-40682-5	35329	A-35808-3	BR, SR	Use A-35808-12
35317	A-35166-3	R, RV, W	Use A-40682-5	35329	A-35808-4	R, S	Use A-35808-12
35317	A-35166-4	N, RV	Use A-40682-5	35333	A-35252-1	N	No Longer Avail.
35317	A-35166-5	N	Repl. by A-40682-5	35333	A-35252-2		
35317	A-35166-6	BR, N, R, W	Repl. by A-40682-6	35333	A-35252-3		No Longer Avail.
35317	A-35166-7	N	Repl. by A-40682-5	35335	A-35264-1	N	Repl. by A-35460
35317	A-35166		Use A-40682-5	35335	A-35264-2	N	Repl. by A-35460
35317	A-35924-1	N	Repl. by A-40682-5	35337	A-35302-1	N	
35317	A-35924		Use A-40682-5	35337	A-35302-2		Repl. by A-35302-1
35317	A-37300-1	N		35339	A-35338-1	N	
35317	A-37300			35339	A-35338-2		Use A-35338
35319	A-35178-1	BR, R		35339	A-35338	N	
35319	A-35178-11	B, N, W	Use A-40536-3	35342 (gr)	A-35343-1	SR, W	
35319	A-35178-2	R	No Longer Avail.	35343	A-35336		
				35347	A-35344		

HARDWARE KEY

B - Bolt or Capscrew **BN** - Button **BR** - Bearing or Bearing Race **MN** - Metric Nut
N - Nut **Q** - Quill **R** - Retainer **RV** - Rivet
S - Shim **SG** - Spur Gear **SR** - Snap Ring or Lock Ring **W** - Washer

SPLINE SIZE KEY

T - Tapered **STR** - Straight

(1) Recommended fasteners, not included with gearset.

(gr) Ring gear

GEARSETS BY PINION NUMBER

Pinion	Gearset	Hardware Incl.	Remarks	Pinion	Gearset	Hardware Incl.	Remarks
35363	A-35362			35429	A-35428-2	N	No Longer Avail.
35365	A-35364-1			35429	A-35428		No Longer Avail.
35365	A-35364	N		35429	A-38722-1	N	No Longer Avail.
35367	A-35344-1		Repl. by A-35344-3	35429	A-38722-2	BR, N, W	
35367	A-35344-3	N	No Longer Avail.	35429	A-38722		No Longer Avail.
35369	A-35368			35431	A-35430-1	BR, N, W	
35370 (gr)	A-35371-1	BR, SR		35431	A-35430-2	N	No Longer Avail.
35371	A-35370-3	BR, N, SR	No Longer Avail.	35431	A-35430		No Longer Avail.
35371	A-35370-4			35431	A-38718-1	N	
35373	A-35372-1	BR, N, R, W	Use A-40504-5	35431	A-38718-2	BR, N, W	
35373	A-35372-10	B, N, W	Use A-40504-5	35431	A-38718		Use A-38718-1
35373	A-35372-3	BR, N, W		35433	A-35432		
35373	A-35372-5			35435	A-35434-1	N	
35373	A-35372-6		Use A-40504-5	35435	A-35434	N	
35373	A-35372-7	R, W	Use A-40504-5	35437	A-35436-1		No Longer Avail.
35373	A-35372	N	Repl. by A-40504-5	35437	A-35436	N	No Longer Avail.
35375	A-35374	N		35439	A-35438-1	BR, SR	
35379	A-35376-1		No Longer Avail.	35439	A-35438-2	RV	
35379	A-35376-2	N		35439	A-35438-3		
35381	A-35382		Repl. by A-35284	35439	A-35438		
35385	A-35384		Repl. by A-35274	35439	A-35620-1	BR, N, SR	No Longer Avail.
35393	A-35390		Repl. by A-35280	35439	A-35620-2	R	Use A-35620-3
35395	A-35394-1		Repl. by A-35286	35439	A-35620-3	N	No Longer Avail.
35397	A-35394			35439	A-35620		No Longer Avail.
35399	A-35398		Repl. by A-35290	35439	A-37648-1	N	
35401	A-35400		No Longer Avail.	35439	A-37648		
35403	A-35402-1		No Longer Avail.	35441	A-35142-10	BR, SR	
35403	A-35402	N	No Longer Avail.	35441	A-35142-2		Repl. by A-40498-2
35405	A-35404-1	BR, N, SR	No Longer Avail.	35441	A-35142-6	BR, N, SR	Repl. by A-40498-3
35405	A-35404		No Longer Avail.	35441	A-35142-9		Repl. by A-40498-2
35407	A-35406		No Longer Avail.	35443	A-35442	N	No Longer Avail.
35409	A-35408-1			35445	A-35444-1	BR, N, W	Repl. by A-40678-5
35409	A-35408	N		35445	A-35444-2	R, W	Use A-40678-3
35411	A-35410-1		No Longer Avail.	35445	A-35444-3	R, RV, W	Use A-40678-3
35411	A-35410	N	No Longer Avail.	35445	A-35444-4	N, RV	Use A-40678-3
35415	A-35412-1		No Longer Avail.	35445	A-35444-5	N, R, W	Use A-40678-3
35419	A-35418			35445	A-35444-6		Use A-40678-3
35421	A-35420			35445	A-35444-7	BR, N, R, W	Repl. by A-40678-5
35423	A-35422		Use A-35506-1	35445	A-35444-8	N	Repl. by A-40678-3
35423	A-35506-1	N	No Longer Avail.	35445	A-35444		Use A-40678-3
35423	A-35506		No Longer Avail.	35445	A-35928-1	W	Use A-40678-3
35425	A-35424		No Longer Avail.	35445	A-35928-3	N	No Longer Avail.
35425	A-35508-1	N	No Longer Avail.	35445	A-35928		No Longer Avail.
35425	A-35508		No Longer Avail.	35445	A-37364-1	N	No Longer Avail.
35427	A-35426-1	BR, N, W	No Longer Avail.	35445	A-37364		No Longer Avail.
35427	A-35426-2	N	No Longer Avail.	35447	A-35446	BR, SR	
35427	A-35426		No Longer Avail.	35449	A-35448-1	N	
35427	A-38734-1	N	No Longer Avail.	35449	A-35448-3		
35427	A-38734		No Longer Avail.	35449	A-35448-4		
35429	A-35428-1	BR, N, W		35449	A-35448	N	

HARDWARE KEY

B - Bolt or Capscrew **BN** - Button **BR** - Bearing or Bearing Race **MN** - Metric Nut
N - Nut **Q** - Quill **R** - Retainer **RV** - Rivet
S - Shim **SG** - Spur Gear **SR** - Snap Ring or Lock Ring **W** - Washer

SPLINE SIZE KEY

T - Tapered **STR** - Straight

(1) Recommended fasteners, not included with gearset.

(gr) Ring gear

GEARSETS BY PINION NUMBER

Pinion	Gearset	Hardware Incl.	Remarks	Pinion	Gearset	Hardware Incl.	Remarks
35451	A-35448-2	N	No Longer Avail.	35519	A-35518		
35451	A-35448-6		No Longer Avail.	35521	A-35520	Q	No Longer Avail.
35453	A-35452-1		No Longer Avail.	35523	A-35520-1		No Longer Avail.
35453	A-35452	N	No Longer Avail.	35525	A-35524-1		No Longer Avail.
35455	A-35454	N		35525	A-35524	BR, N, SR	No Longer Avail.
35457	A-35456	N		35527	A3-3889-L-272	Q	LH Pinion
35459	A-35458			35529	A-35528-1		No Longer Avail.
35461	A-35460-1	N		35529	A-35528	N	No Longer Avail.
35461	A-35460-3			35531	A-35530-1	N	Repl. by A-35530-3
35461	A-35460	N		35531	A-35530-2		No Longer Avail.
35463	A-35460-2	N		35531	A-35530-3	N	No Longer Avail.
35465	A-35126-1	BR, N, SR	No Longer Avail.	35531	A-35530	N	Repl. by A-35530-3
35465	A-35126-3		No Longer Avail.	35533	A-35532-1		No Longer Avail.
35469	A-35468			35533	A-35532	N	No Longer Avail.
35471	A-35470	N		35535	A-35534-1		Use A-35810-17
35473	A-35136-4	N		35535	A-35534		Use A-35810-17
35479	A-35370-5		No Longer Avail.	35535	A-35810-1		Repl. by A-35810-10
35479	A-35370-6		Use A-35370	35535	A-35810-2	R	Use A-35810-10
35479	A-35370-7	BR, SR	Use A-35370	35535	A-35810-5	BR, SR	Use A-35810-10
35479	A-35370	BR, SR, N	No Longer Avail.	35537	A-35536		Use A-35536-6
35481	A-35200-1		No Longer Avail.	35539	A-35538-8	BR, SR, W	Repl. by A-35538-4
35481	A-35200-3	N	No Longer Avail.	35539	A-35538		Use A-35538-4
35483	A-35482			35541	A-35540		1.0939 Spigot bearing
35487	A-35486-1	N, W		35545	A-35544-2		
35487	A-35486			35545	A-35544	N	
35487	A-35866-1			35547	A-35546-1		
35487	A-35866	N, W		35547	A-35546	N	
35489	A-35488	N	Repl. by A-35816-17	35549	A-35548	N	
35489	A-35816-1	N	Use A-35816-10	35551	A-35550-1		Repl. by A-40804-1
35489	A-35816-3	N, R	Use A-35816-10	35551	A-35550	N	Repl. by A-40804-1
35489	A-35816-4	BR, SR	Use A-35816-10	35553	A-35552	N	
35489	A-35816-6		Use A-35816-10	35555	A-35554	N	
35491	A-35490			35557	A-35556		
35493	A-35492	N	No Longer Avail.	35561	A-35560-1		Use A-35560
35495	A-35412	Q	No Longer Avail.	35561	A-35560	N	
35497	A-35482-1	Q		35563	A-35562-1		No Longer Avail.
35499	A-35376	Q	No Longer Avail.	35563	A-35562	N	No Longer Avail.
35501	A-35344-2	Q	No Longer Avail.	35565	A-35564-1		No Longer Avail.
35503	A-3889-L-272	Q		35565	A-35564	N	No Longer Avail.
35505	A-35504	N		35567	A-35566-1		No Longer Avail.
35507	A-35168-4		No Longer Avail.	35567	A-35566	N	No Longer Avail.
35507	A-35618-1			35569	A-35568-1		No Longer Avail.
35507	A-35618-6	N		35569	A-35568	N	No Longer Avail.
35511	A-35510-5	N	No Longer Avail.	35571	A-35570	N	Repl. by A-35826
35511	A-35510		No Longer Avail.	35573	A-35572	N	Repl. by A-35828
35513	A-35512-6	N	No Longer Avail.	35577	A-35864-1		Repl. by A-38274-1
35513	A-35512		No Longer Avail.	35577	A-35864	N, W	Repl. by A-38274-1
35515	A-35514-6	N	.985 Bearing	35579	A2-3889-L-272		
35515	A-35514		.985 Brg. Use A-35514-6	35581	A-34802-14		No Longer Avail.
				35581	A-34802-8	BR, SR	No Longer Avail.

HARDWARE KEY

B - Bolt or Capscrew	BN - Button	BR - Bearing or Bearing Race	MN - Metric Nut
N - Nut	Q - Quill	R - Retainer	RV - Rivet
S - Shim	SG - Spur Gear	SR - Snap Ring or Lock Ring	W - Washer

SPLINE SIZE KEY

T - Tapered **STR** - Straight

(1) Recommended fasteners, not included with gearset.

(gr) Ring gear

GEARSETS BY PINION NUMBER

Pinion	Gearset	Hardware Incl.	Remarks	Pinion	Gearset	Hardware Incl.	Remarks
35583	A-35582		Use A-38268-1	35633	A-35800-5	BR, SR, W	Repl. by A-35800-20
35583	A-35868-1		Repl. by A-38268-1	35633	A-35800		Repl. by A-35800-18
35583	A-35868	N, W	Repl. by A-38268-1	35635	A-35634-8	N	.985 Bearing. No Longer Avail.
35587	A-35586-1		Repl. by A-35586-10	35635	A-35634		No Longer Avail.
35587	A-35586-2		Repl. by A-35586-10	35637	A-35636		Repl. by A-35636-2
35587	A-35586-3	SR, W	Use A-35586-10	35641	A-35634-1		No Longer Avail.
35587	A-35586		Repl. by A-35586-7	35641	A-35634-5	N	No Longer Avail.
35589	A-35588-1	N	Use A-35588-10	35643	A-35636-1		
35589	A-35588-3	BR, SR, W	Repl. by A-35588-5	35645	A-35538-1		Use A-35538-11
35589	A-35588		Repl. by A-35588-10	35647	A-35646		Repl. by A-35774-4
35591	A-35590-1	BR, SR, W	Use A-35590-6	35647	A-35774-3	BR, SR	Repl. by A-35774-5
35591	A-35590		Use A-35590-6	35647	A-35774		Repl. by A-35774-5
35595	A-35594-1		No Longer Avail.	35649	A-35648		Repl. by A-35732-4
35595	A-35594	N	No Longer Avail.	35649	A-35732-2	BR, SR	Repl. by A-35732-4
35597	A-35596-1		No Longer Avail.	35649	A-35732		Repl. by A-35732-4
35597	A-35596	N		35651	A-35650-1	BR, N, SR	
35601	A-35600		Repl. by A-35772-6	35651	A-35650-2	N	No Longer Avail.
35601	A-35772		Use A-35772-7	35651	A-35650		No Longer Avail.
35603	A-35602		Repl. by A-35776-2	35655	A-35654-1		
35603	A-35776		Repl. by A-35776-3	35655	A-35654	N	
35607	A-35606-1		No Longer Avail.	35659	A-35658-1		No Longer Avail.
35607	A-35606	N	No Longer Avail.	35659	A-35658	N	No Longer Avail.
35609	A-35608-1		No Longer Avail.	35663	A-35662-1		No Longer Avail.
35609	A-35608	N	No Longer Avail.	35663	A-35662	N	No Longer Avail.
35613	A-35202-2		Repl. by A-35818-24	35665	A-35664-1		No Longer Avail.
35613	A-35818-3	R	Use A-35818-26	35665	A-35664	N	No Longer Avail.
35613	A-35818-5	BR, SR	Use A-35818-26	35669	A-35668-1		No Longer Avail.
35613	A-35818		Use A-35818-26	35669	A-35668	N	No Longer Avail.
35615	A-35304-4		Use A-35804-23	35671	A-35670-1		No Longer Avail.
35615	A-35804-14	BR, N, SR	Use A-35804-11	35671	A-35670	N	No Longer Avail.
35615	A-35804-7	BR, SR	Use A-35804-11	35673	A-35672-1		No Longer Avail.
35615	A-35804		Repl. by A-35804-19	35673	A-35672	N	No Longer Avail.
35617	A-35510-1		No Longer Avail.	35675	A-35674-1		No Longer Avail.
35617	A-35510-6	BR, N, W	No Longer Avail.	35675	A-35674	N	No Longer Avail.
35619	A-35536-1		Use A-35536-10	35677	A-35676-1		No Longer Avail.
35621	A-35540-1		Use A-35540-10	35677	A-35676	N	No Longer Avail.
35627	A-35626		Repl. by A-35802-10	35681	A-35512-1		No Longer Avail.
35627	A-35802-1		Use A-35802-10	35683	A-35682-1		No Longer Avail.
35627	A-35802-3		Use A-35802-10	35683	A-35682	N	No Longer Avail.
35627	A-35802-5	BR, SR	Use A-35802-10	35685	A-35684	N	No Longer Avail.
35629	A-35628		Repl. by A-35800-9	35687	A-35686-1		No Longer Avail.
35629	A-35800-1		Repl. by A-35800-9	35687	A-35686	N	No Longer Avail.
35629	A-35800-2		Repl. by A-35800-9	35689	A-35688-2		No Longer Avail.
35629	A-35800-4	BR, SR, W	Repl. by A-35800-9	35689	A-35688	N	No Longer Avail.
35631	A-35626-1		Repl. by A-35802-18	35691	A-35690-1		No Longer Avail.
35631	A-35802-2		Repl. by A-35802-18	35691	A-35690	N	No Longer Avail.
35631	A-35802-4	BR, SR	Use A-35802-20	35693	A-35692-1		No Longer Avail.
35631	A-35802		Use A-35802-18	35693	A-35692	N	No Longer Avail.
35633	A-35628-1		Repl. by A-35800-18	35699	A-35514-1		No Longer Avail.
35633	A-35800-3		Use A-35800-20				

HARDWARE KEY

B - Bolt or Capscrew **BN** - Button **BR** - Bearing or Bearing Race **MN** - Metric Nut
N - Nut **Q** - Quill **R** - Retainer **RV** - Rivet
S - Shim **SG** - Spur Gear **SR** - Snap Ring or Lock Ring **W** - Washer

SPLINE SIZE KEY

T - Tapered **STR** - Straight

(1) Recommended fasteners, not included with gearset.

(gr) Ring gear

GEARSETS BY PINION NUMBER

Pinion	Gearset	Hardware Incl.	Remarks	Pinion	Gearset	Hardware Incl.	Remarks
35699	A-35514-5	W	No Longer Avail.	35749	A-35748-1		No Longer Avail.
35701	A-35700-1		No Longer Avail.	35749	A-35748	N	No Longer Avail.
35701	A-35700	N	No Longer Avail.	35751	A-35750-1		No Longer Avail.
35703	A-35702-1	BR, SR, W	Repl. by A-35702-5	35751	A-35750	N	No Longer Avail.
35703	A-35702		Repl. by A-35702-5	35753	A-35752-1		No Longer Avail.
35705	A-35704-1	BR, SR, W	Use A-35704-6	35753	A-35752	N	No Longer Avail.
35705	A-35704		Use A-35704-6	35755	A-35754-1	BR, N, SR	No Longer Avail.
35709	A-35708			35755	A-35754		No Longer Avail.
35709	A-35778		Repl. by A-35778-2	35757	A-35756-1	N	
35711	A-35710			35757	A-35756		
35715	A-35714-1			35759	A-35758		No Longer Avail.
35715	A-35714	N		35761	A-35760		
35717	A-35326-3		Use A-35806-22	35763	A-35762		
35717	A-35806-5	R	Use A-35806-22	35765	A-35764		
35717	A-35806-7	BR, SR, W	Use A-35806-24	35767	A-34800-2		No Longer Avail.
35717	A-35806		Repl. by A-35806-24	35769	A-35768-1	BR, N, W	Use A-40676-3
35719	A-35328-3		Use A-35808-23	35769	A-35768-2	BR, N, R, W	No Longer Avail.
35719	A-35808-5	R	Use A-35808-24	35769	A-35768-3	N	No Longer Avail.
35719	A-35808-6	BR, SR	Use A-35808-24	35769	A-35768-7	B, N, W	Use A-40676-3
35719	A-35808-7	BR, SR	Use A-35808-24	35769	A-35768		No Longer Avail.
35719	A-35808		Repl. by A-35808-24	35771	A-35770-1	BR, N, SR	No Longer Avail.
35721	A-35534-2		Use A-35810-20	35771	A-35770		No Longer Avail.
35721	A-35810-3	R	Repl. by A-35810-21	35777	A-35576-1	N, W	No Longer Avail.
35721	A-35810-4	BR, SR	Repl. by A-35810-21	35777	A-35576	N, W	No Longer Avail.
35721	A-35810		Repl. by A-35810-21	35779	A-35780-4	N	No Longer Avail.
35723	A-35158-3		Repl. by A-35812-21	35779	A-35780		No Longer Avail.
35723	A-35812-3	N	Use A-35812-23	35781	A-35780-1		No Longer Avail.
35723	A-35812-4	R	Use A-35812-23	35781	A-35780-5	BR, N, W	No Longer Avail.
35723	A-35812-7	BR, SR	Use A-35812-23	35783	A-35782-1		No Longer Avail.
35723	A-35812		No Longer Avail.	35783	A-35782-2	N	No Longer Avail.
35725	A-35488-1		Repl. by A-35816-20	35783	A-35782	N	Repl. by A-35782-2
35725	A-35816-2	R	Use A-35816-22	35785	A-35784-1		No Longer Avail.
35725	A-35816-5	BR, SR	Use A-35816-22	35785	A-35784-2	N	No Longer Avail.
35725	A-35816		Repl. by A-35816-22	35785	A-35784	N	Repl. by A-35784-2
35727	A-35412-2		No Longer Avail.	35787	A-35786-1		No Longer Avail.
35729	A4-3889-L-272			35787	A-35786-2	N	No Longer Avail.
35731	A-35376-4		No Longer Avail.	35787	A-35786	N	
35733	A-35520-2			35789	A-35788-1		Use A-35788-2
35737	A-35736-1		Repl. by A-38162-1	35789	A-35788-2	N	No Longer Avail.
35737	A-35736	N, W	Repl. by A-38162-1	35789	A-35788	N	
35739	A-35738-1		Use A-38076-1	35791	A-35790-1		No Longer Avail.
35739	A-35738-2	N	Repl. by A-38076-1	35791	A-35790-2	N	No Longer Avail.
35739	A-35738	N, W	Use A-38076-1	35791	A-35790	N	
35741	A-35740-1		Repl. by A-38158-1	35793	A-35792-1		No Longer Avail.
35741	A-35740	BR, W	Use A-38158-1	35793	A-35792-2	N	No Longer Avail.
35743	A-35742-1		Use A-38152-1	35793	A-35792	N	Repl. by A-35792-2
35743	A-35742	N	Repl. by A-38152-1	35797	A-35796-1		Use A-38112-1
35745	A-35344-7		No Longer Avail.	35797	A-35796	N, W	Repl. by A-38112-1
35747	A-35746-2	BR, SR, W	Repl. by A-35746-5	35799	A-35798-3	N	No Longer Avail.
35747	A-35746		Repl. by A-35746-5	35799	A-35798		No Longer Avail.

HARDWARE KEY

B - Bolt or Capscrew	BN - Button	BR - Bearing or Bearing Race	MN - Metric Nut
N - Nut	Q - Quill	R - Retainer	RV - Rivet
S - Shim	SG - Spur Gear	SR - Snap Ring or Lock Ring	W - Washer

SPLINE SIZE KEY

T - Tapered **STR** - Straight

(1) Recommended fasteners, not included with gearset.

(gr) Ring gear

GEARSETS BY PINION NUMBER

Pinion	Gearset	Hardware Incl.	Remarks	Pinion	Gearset	Hardware Incl.	Remarks
35813	A-35814-1	N	Use A-35814-8	35889	A-35888		No Longer Avail.
35813	A-35814-2		Use A-35814-8	35891	A-35890-1	N	No Longer Avail.
35813	A-35814-3	BR, SR	Use A-35814-8	35891	A-35890		No Longer Avail.
35815	A-35814-4	BR, SR	Use A-35814-18	35893	A-35892-1	N	No Longer Avail.
35815	A-35814		Use A-35814-18	35893	A-35892		No Longer Avail.
35821	A-35820-1	BR, N, R, W	No Longer Avail.	35897	A-35588-13	N	Use A-35588-11
35821	A-35820		No Longer Avail.	35897	A-35588-2		Use A-35588-11
35823	A-35822-1	BR, N, R, W	No Longer Avail.	35899	A-35590-2		Use A-35590-10
35823	A-35822		No Longer Avail.	35901	A-35746-1		Repl. by A-35746-6
35827	A-35826-2		No Longer Avail.	35903	A-35902-1	SR	Repl. by A-35620-3
35827	A-35826	N	No Longer Avail.	35903	A-35902-3	N	Repl. by A-35620-3
35829	A-35828-1		No Longer Avail.	35903	A-35902		Repl. by A-35620-3
35829	A-35828	N	No Longer Avail.	35905	A-35214-3		No Longer Avail.
35833	A-35832-1	BR, N, R, W	No Longer Avail.	35905	A-35214	BR, SR	No Longer Avail.
35833	A-35832		No Longer Avail.	35911	A-35910-3	N	Repl. by A-40172-1
35835	A-35834-1	BR, N, R, W		35911	A-35910-5	N	Repl. by A-40172-1
35835	A-35834			35911	A-35910		Repl. by A-40172-1
35837	A-35836-3		Use A-35836	35913	A-35912-3	N	Repl. by A-40178-1
35837	A-35836-4		Repl. by A-35836	35913	A-35912-5	N	Repl. by A-40178-1
35837	A-35836-5	BR, N, R, W		35913	A-35912		Use A-40178-1
35837	A-35836	N		35915	A-35914-2	N	Repl. by A-40182-1
35839	A-35838-1	N	Repl. by A-40164-9	35915	A-35914-4	N	Repl. by A-40182-1
35839	A-35838-3		No Longer Avail.	35915	A-35914		Use A-40182-1
35839	A-35838-7	N	Repl. by A-40164-9	35917	A-35916-2	N	Repl. by A-40182-1
35841	A-35840-3		Repl. by A-40160-7	35917	A-35916-4	N	Repl. by A-40182-1
35841	A-35840	N	Repl. by A-40160-7	35917	A-35916		Use A-40182-1
35843	A-35842-2	N	No Longer Avail.	35919	A-35918-2	N	Repl. by A-40306-1
35843	A-35842		No Longer Avail.	35919	A-35918-4	N	Repl. by A-40306-1
35845	A-35844-2	N	No Longer Avail.	35919	A-35918		Use A-40306-1
35845	A-35844		No Longer Avail.	35921	A-35920-2	N	Repl. by A-40502-1
35847	A-35846-1	N	No Longer Avail.	35921	A-35920-4	N	Repl. by A-40502-1
35847	A-35846		No Longer Avail.	35921	A-35920		Use A-40502-1
35855	A-35854-1		No Longer Avail.	35923	A-35838-4	N	Repl. by A-40164-1
35855	A-35854	N	No Longer Avail.	35923	A-35838-6	N	Repl. by A-40164-1
35857	A-35856-2	BR, SR	Repl. by A-35856-10	35923	A-35838		Repl. by A-40164
35857	A-35856		Repl. by A-35856-4	35925	A-35376-3	Q	
35859	A-35856-1		Repl. by A-35856-6	35927	A-35926		No Longer Avail.
35869	A-35886-1	N	No Longer Avail.	35931	A-35774-2		Repl. by A-35774-5
35869	A-35886		No Longer Avail.	35933	A-35932-1		No Longer Avail.
35873	A-35872-1	N		35933	A-35932-2	BR, N, R, W	Use A-40542-3
35873	A-35872		Use A-35872-1	35933	A-35932-3	BR, N, R, W	Use A-40542-3
35875	A-35874-1		Repl. by A-35874-4	35933	A-35932	N	No Longer Avail.
35875	A-35874		Repl. by A-35874-4	35935	A-35806-6		Use A-35806-22
35877	A-35876			35937	A-35936	N, W	
35881	A-35880-1	BR, N, SR		35939	A-35732-1		Repl. by A-35732-4
35881	A-35880-3	N		35945	A-35772-4		Use A-35772-7
35881	A-35880			35949	A-35948	N	
35885	A-35884-1	N	No Longer Avail.	35949	A-35968-1		Repl. by A-35968
35885	A-35884		No Longer Avail.	35949	A-35968	N	
35889	A-35888-1	N	No Longer Avail.	35951	A-35950	N	Repl. by A-35970

HARDWARE KEY

B - Bolt or Capscrew **BN** - Button **BR** - Bearing or Bearing Race **MN** - Metric Nut
N - Nut **Q** - Quill **R** - Retainer **RV** - Rivet
S - Shim **SG** - Spur Gear **SR** - Snap Ring or Lock Ring **W** - Washer

SPLINE SIZE KEY

T - Tapered **STR** - Straight

(1) Recommended fasteners, not included with gearset.

(gr) Ring gear

GEARSETS BY PINION NUMBER

Pinion	Gearset	Hardware Incl.	Remarks	Pinion	Gearset	Hardware Incl.	Remarks
35951	A-35970-1		No Longer Avail.	36015	A-35636-7	N	No Longer Avail.
35951	A-35970	N	No Longer Avail.	36015	A-35636-8	BR, N, SR	No Longer Avail.
35953	A-35952	N		36017	A-35538-11	N	No Longer Avail.
35953	A-35972-1		Repl. by A-35972	36017	A-35538-12	BR, N, SR	
35953	A-35972	N		36017	A-35538-6		Use A-35538-11
35955	A-35954-1		Use A-35954	36017	A-35538-7		No Longer Avail.
35955	A-35954-3	BR	Use A-35954	36017	A-35538-9	BR, N, SR	No Longer Avail.
35955	A-35954-7	BR, N, W		36019	A-35540-10	BR, N, SR	No Longer Avail.
35955	A-35954	N		36019	A-35540-6		No Longer Avail.
35957	A-35956		Use A-35956-4	36019	A-35540-7	BR, SR	Use A-35540-10
35959	A-35958		Repl. by A-35958-2	36019	A-35540-9	N	No Longer Avail.
35961	A-35960	N, W		36029	A-36028-2	BR, SR, W	Use A-36028-22
35963	A-35962-1	N	No Longer Avail.	36029	A-36028-4		Use A-36028-21
35963	A-35962		No Longer Avail.	36029	A-36028	N	Use A-36028-22
35965	A-35776-1		Repl. by A-35776-3	36031	A-36028-1	N	Use A-36028-13
35967	A-35966-2	BR, SR, W	Repl. by A-35966-6	36031	A-36028-3	BR, SR, W	Repl. by A-36028-13
35967	A-35966		Repl. by A-35966-6	36031	A-36028-5		
35977	A-35976-1		Use A-38270-1	36033X	A-35536-5		
35977	A-35976	N, W	Repl. by A-38270-1	36037	A-36036-1		
35979	A-35978-1		No Longer Avail.	36037	A-36036-4	BR	Use A-36036
35979	A-35978-4	BR, N, SR	No Longer Avail.	36037	A-36036	N	
35979	A-35978-7	BR, N	No Longer Avail.	36051	A-35614-3		
35979	A-35978	N	No Longer Avail.	36051	A-35614-6	N	
35981	A-35536-3		Use A-35536-9	36053	A-35798-1		1.09 Bearing
35981	A-35536-4		Use A-35536-9	36053	A-35798-2	BR, N, SR	1.09 Bearing
35981	A-35536-6	BR, N, SR		36053	A-35798-4	N	1.09 Bearing
35981	A-35536-9	N		36053	A-35798-5	BR, N, SR	1.09 Brg. Use A-35798-2
35983	A-35538-10	N		36055	A-36054-1		No Longer Avail.
35983	A-35538-2		Repl. by A-35538-10	36055	A-36054	N	No Longer Avail.
35983	A-35538-4	BR, N, SR		36059	A-36058-1	N	No Longer Avail.
35985	A-35540-3		Use A-35540-8	36059	A-36058		No Longer Avail.
35985	A-35540-4		No Longer Avail.	36061	A-36060-1	BR, N, R, W	No Longer Avail.
35985	A-35540-5	BR, N, SR	No Longer Avail.	36061	A-36060		No Longer Avail.
35985	A-35540-8	N	No Longer Avail.	36089	A-36088-1	BR, N, SR	No Longer Avail.
35987	A-35710-1		Use A-35710-3	36089	A-36088-3	N	No Longer Avail.
35987	A-35710-2	BR, N, SR		36089	A-36088		No Longer Avail.
35987	A-35710-3	N		36099	A-35956-2		Use A-35956-4
35989X	A-35772-5		Use A-35772-7	36099	A-35956-3	BR, SR	Use A-35956-4
35995	A-35966-1		Repl. by A-35966-9	36099	A-35956-5	B, N	Use A-35956-4
35999	A-35998-1	N	No Longer Avail.	36101	A-36100-1		
35999	A-35998		No Longer Avail.	36101	A-36100-7	BR, N, SR	
36009	A-35636-2		No Longer Avail.	36101	A-36100	N	
36009	A-35636-4	BR, N, SR	No Longer Avail.	36103	A-36102-1		No Longer Avail.
36009	A-35636-6	N	No Longer Avail.	36103	A-36102	N	No Longer Avail.
36013	A-35536-10	N	No Longer Avail.	36115	A-36114-1	N	No Longer Avail.
36013	A-35536-11	BR, N, SR	No Longer Avail.	36115	A-36114		No Longer Avail.
36013	A-35536-7		No Longer Avail.	36115	A-38720-1	N	No Longer Avail.
36013	A-35536-8	BR, SR	Use A-35536-11	36115	A-38720		No Longer Avail.
36015	A-35636-3		No Longer Avail.	36119	A-36118-1	BR, N, W	
36015	A-35636-5	BR, N, SR	Repl. by A-35636-8				

HARDWARE KEY

B - Bolt or Capscrew **BN** - Button **BR** - Bearing or Bearing Race **MN** - Metric Nut
N - Nut **Q** - Quill **R** - Retainer **RV** - Rivet
S - Shim **SG** - Spur Gear **SR** - Snap Ring or Lock Ring **W** - Washer

SPLINE SIZE KEY

T - Tapered **STR** - Straight

(1) Recommended fasteners, not included with gearset.

(gr) Ring gear

GEARSETS BY PINION NUMBER

Pinion	Gearset	Hardware Incl.	Remarks	Pinion	Gearset	Hardware Incl.	Remarks
36119	A-36118-2	N		36173	A-35514-8	BR, N, SR	1.09 Bearing
36119	A-36118		Use A-36118-2	36223	A-36222-3	BR, N, SR	No Longer Avail.
36119	A-38716-1	N	No Longer Avail.	36223	A-36222-4	N	Use A-36222-3
36119	A-38716		No Longer Avail.	36223	A-36222		No Longer Avail.
36121	A-35912-1		No Longer Avail.	36225	A-35966-3		Use A-35966-10
36135	A-36134-1		No Longer Avail.	36227	A-35856-3		Repl. by A-35856-10
36135	A-36134-2	BR, W		36229	A-35588-4		Use A-35588-10
36135	A-36134	N	No Longer Avail.	36231	A-35586-4		Use A-35586-10
36139	A-34800-10			36233	A-35590-4		Use A-35590-6
36139	A-34800-12	BR, N, SR		36235	A-35704-2		Repl. by A-35704-6
36141	A-34798-10	BR, SR	No Longer Avail.	36235	A-35704-3	BR, SR	Use A-35704-6
36141	A-34798-8		No Longer Avail.	36237	A-35702-2		Repl. by A-35702-5
36143	A-34814-10	BR, N, SR		36239	A-35746-3		Repl. by A-35746-5
36143	A-34814-8			36239	A-35746-4	BR, SR	Repl. by A-35746-5
36143	A-34814	BR, SR		36241	A-35874-2		Repl. by A-35874-4
36145	A-34802-5		No Longer Avail.	36243	A5-3889-L-272	Q	
36145	A-34802-9	BR, N, SR	No Longer Avail.	36257	A-36256-2		Use A-40158-3
36147	A-35446-1		No Longer Avail.	36257	A-36256-4	N	Repl. by A-40158-3
36147	A-35446-2	BR, N, SR	No Longer Avail.	36257	A-36256	N	Repl. by A-40158-3
36149	A-35080	BR, SR		36257	A-38428-1		Use A-40158-3
36151	A-35088	BR, SR	No Longer Avail.	36257	B-38428-1	N	
36153	A-35090	BR, SR		36257	B-38428		
36161	A-35372-2	N	No Longer Avail.	36261	A-35590-5		
36161	A-36150-1		No Longer Avail.	36333	A-35912-2		No Longer Avail.
36161	A-36150	N	No Longer Avail.	36333	A-35912-4	BR, N, R, W	
36163	A-36162-1	BR, N, SR		36333	A-35912-6	N	No Longer Avail.
36163	A-36162-2	N		36353	A-36352-2	BR, N, W	
36163	A-36162			36353	A-36352-3	N	
36165	A-35634-3		Repl. by A-35634-6	36353	A-36352		
36165	A-35634-4	BR, N, SR	1.09 Bearing	36353	A-38714-1	N	No Longer Avail.
36165	A-35634-6	N	1.09 Bearing	36353	A-38714		No Longer Avail.
36165	A-35634-9	BR, N, SR	Repl. by A-35634-4	36375	A-35344-4	Q	
36167	A-35780-2		No Longer Avail.	36383	A-35910-1		No Longer Avail.
36167	A-35780-3	BR, N, SR	1.09 Bearing	36383	A-35910-6	N	No Longer Avail.
36167	A-35780-6	N	No Longer Avail.	36401	A-36400-1		No Longer Avail.
36167	A-35780-7	BR, N, SR	1.09 Bearing	36401	A-36400	N	No Longer Avail.
36169	A-35510-3		1.09 Bearing Use A-35510-7	36419	A-36038-1	N	No Longer Avail.
36169	A-35510-4	BR, N, SR	1.09 Bearing	36419	A-36038-2	BR, N, W	No Longer Avail.
36169	A-35510-7	N	1.09 Bearing	36419	A-36038		No Longer Avail.
36169	A-35510-8	BR, N, SR	1.09 Bearing	36443	A-36442		
36171	A-35512-2		No Longer Avail.	36447	A-36446-1		
36171	A-35512-3	BR, N, SR	No Longer Avail.	36447	A-36446-3	BR, SR	Use A-36446-13
36171	A-35512-4	BR, N, SR	1.09 Bearing	36449	A-36446-2	BR, SR	Use A-36446-17
36171	A-35512-5	N	No Longer Avail.	36449	A-36446		Use A-36446-16
36171	A-35512-7	BR, N, SR	1.09 Bearing	36469	A-35470-1		No Longer Avail.
36173	A-35514-3		1.09 Bearing Use A-35514-7	36469	A-35470-3	BR, N, R, W	No Longer Avail.
36173	A-35514-4	BR, N, SR	1.09 Bearing	36469	A-35470-4	N	No Longer Avail.
36173	A-35514-7	N	1.09 Bearing	36475	A-36474-1	BR, N, SR	
				36475	A-36474-3	N	
				36475	A-36474		

HARDWARE KEY

B - Bolt or Capscrew **BN** - Button **BR** - Bearing or Bearing Race **MN** - Metric Nut
N - Nut **Q** - Quill **R** - Retainer **RV** - Rivet
S - Shim **SG** - Spur Gear **SR** - Snap Ring or Lock Ring **W** - Washer

SPLINE SIZE KEY

T - Tapered **STR** - Straight

(1) Recommended fasteners, not included with gearset.

(gr) Ring gear

GEARSETS BY PINION NUMBER

Pinion	Gearset	Hardware Incl.	Remarks	Pinion	Gearset	Hardware Incl.	Remarks
36477	A-35800-10	N, SR	Use A-35800-18	36497	A-35804-20	SR	Use A-35804-23
36477	A-35800-12	BR, R, W	Repl. by A-35800-20	36497	A-35804-8		Repl. by A-35804-23
36477	A-35800-13		Use A-35800-18	36499	A-35806-10		Use A-35806-22
36477	A-35800-15	N, W	Use A-35800-18	36499	A-35806-12	N, W	Repl. by A-35806-22
36477	A-35800-6	N, W	Repl. by A-35800-18	36499	A-35806-15	N, R, W	Repl. by A-35806-22
36477	A-35800-8		Repl. by A-35800-18	36499	A-35806-17		Use A-35806-22
36479	A-36446-10		Use A-36446-16	36499	A-35806-18	N, W	Use A-35806-22
36479	A-36446-11		Use A-36446-16	36499	A-35806-8		Repl. by A-35806-22
36479	A-36446-12	N, W	Use A-36446-16	36503	A-35808-11		Repl. by A-35808-23
36479	A-36446-4	N, W	Use A-36446-16	36503	A-35808-13	BR, N, SR	Repl. by A-35808-24
36479	A-36446-6		Use A-36446-16	36503	A-35808-16	R	Use A-35808-23
36479	A-36446-7	BR, N, SR, W	Repl. by A-36446-17	36503	A-35808-17		Use A-35808-23
36481	A-35818-11		Use A-35818-24	36503	A-35808-18	N, W	Repl. by A-35808-23
36481	A-35818-13	BR, N, SR, W	Repl. by A-35818-26	36503	A-35808-9		Repl. by A-35808-23
36481	A-35818-15	BR, R, SR	Use A-35818-26	36505	A-35812-10		Repl. by A-35812-21
36481	A-35818-18		Use A-35818-24	36505	A-35812-12	BR, N, SR, W	Repl. by A-35812-23
36481	A-35818-19	N, W	Repl. by A-35818-24	36505	A-35812-14	BR, N, R, SR, W	Repl. by A-35812-23
36481	A-35818-9		Use A-35818-24				
36483	A-36028-10	N, W	No Longer Avail.	36505	A-35812-16		Use A-35812-21
36483	A-36028-12	BR, N, SR, W	Repl. by A-36028-22	36505	A-35812-17	N, W	Use A-35812-21
36483	A-36028-14	BR, N, SR	Repl. by A-36028-22	36505	A-35812-8		Repl. by A-35812-21
36483	A-36028-16		Use A-36028-21	36507	A-35810-11	BR, N, R, SR	Use A-35810-21
36483	A-36028-17	N, W	Repl. by A-36028-21	36507	A-35810-15		Use A-35810-20
36483	A-36028-8	N, W	Repl. by A-36028-21	36507	A-35810-16	N, W	Repl. by A-35810-20
36485	A-35800-11	BR, N, R, SR	No Longer Avail.	36507	A-35810-6	N, W	Repl. by A-35810-20
36485	A-35800-14	N	No Longer Avail.	36507	A-35810-8		Use A-35810-20
36485	A-35800-7		No Longer Avail.	36507	A-35810-9	W	Repl. by A-35810-21
36485	A-35800-9	BR, N, SR	No Longer Avail.	36509	A-35814-12		Use A-35814-17
36487	A-36446-13	N	No Longer Avail.	36509	A-35814-13	N, W	Use A-35814-17
36487	A-36446-5		No Longer Avail.	36509	A-35814-5	N, W	Use A-35814-17
36489	A-35812-11	BR, N, SR	No Longer Avail.	36509	A-35814-7		Use A-35814-17
36489	A-35812-13	BR, N, SR	Use A-35812-11	36509	A-35814-9	BR, N, SR, W	Repl. by A-35814-18
36489	A-35812-15	BR, N, R, SR	Use A-35812-11	36511	A-35816-11	BR, N, SR, W	Repl. by A-35816-22
36489	A-35812-18	N	No Longer Avail.	36511	A-35816-13	N, W, R	Use A-35816-20
36489	A-35812-9		No Longer Avail.	36511	A-35816-15		Use A-35816-17
36491	A-36028-11	N	No Longer Avail.	36511	A-35816-16	N, W	Use A-35816-20
36491	A-36028-13	BR, N, SR	No Longer Avail.	36511	A-35816-7	N, W	Repl. by A-35816-20
36491	A-36028-15	BR, N, SR	Repl. by A-36028-13	36513	A-35802-10	BR, N, SR	No Longer Avail.
36491	A-36028-18	N	No Longer Avail.	36513	A-35802-12	BR, N, R, SR	Use A-35802-10
36495	A-35802-11	BR, R, W	Use A-35802-20	36513	A-35802-15	N	
36495	A-35802-13		Use A-35802-18	36513	A-35802-7		No Longer Avail.
36495	A-35802-14	N, W	Repl. by A-35802-18	36513	A-36446-8		No Longer Avail.
36495	A-35802-6	N, W	Use A-35802-18	36515	A-35804-11	BR, N, SR	No Longer Avail.
36495	A-35802-8		Repl. by A-35802-18	36515	A-35804-13	BR, N, S, SR	No Longer Avail.
36495	A-35802-9	BR, N, SR, W	Repl. by A-35802-20	36515	A-35804-15	BR, S, R, N	Use A-35804-19
36497	A-35804-10		Repl. by A-35804-23	36515	A-35804-19	N	No Longer Avail.
36497	A-35804-12	BR, N	Repl. by A-35804-25	36515	A-35804-6	N, R	Use A-35804-19
36497	A-35804-16	BR, R	Use A-35804-25	36515	A-35804-9		No Longer Avail.
36497	A-35804-17		Use A-35804-23	36517	A-35806-11	BR, N, SR	No Longer Avail.
36497	A-35804-18	N, W	Use A-35804-23				

HARDWARE KEY

B - Bolt or Capscrew **BN** - Button **BR** - Bearing or Bearing Race **MN** - Metric Nut
N - Nut **Q** - Quill **R** - Retainer **RV** - Rivet
S - Shim **SG** - Spur Gear **SR** - Snap Ring or Lock Ring **W** - Washer

SPLINE SIZE KEY

T - Tapered **STR** - Straight

(1) Recommended fasteners, not included with gearset.

(gr) Ring gear

GEARSETS BY PINION NUMBER

Pinion	Gearset	Hardware Incl.	Remarks	Pinion	Gearset	Hardware Incl.	Remarks
36517	A-35806-13	BR, N, R, S, SR	Use A-35806-11	36545	A-35956-4	BR, N, SR	
36517	A-35806-14	BR, S, N	Use A-35806-11	36545	A-35956-6	N	
36517	A-35806-19	N	No Longer Avail.	36561	A-35142-12	N, W	Use A-40498-7
36517	A-35806-9		No Longer Avail.	36561	A-35142-3		No Longer Avail.
36521	A-35808-10		No Longer Avail.	36561	A-35142-8	BR, SR	Repl. by A-40498-7
36521	A-35808-12	BR, N, SR	No Longer Avail.	36581	A-35918-1		No Longer Avail.
36521	A-35808-14	BR, N, S, SR	Use A-35808-12	36581	A-35918-3	BR, N, R, W	No Longer Avail.
36521	A-35808-15	BR, N, R, S, SR	Use A-35808-12	36621	A-35376-6		
36521	A-35808-19	N	No Longer Avail.	36627	A-35376-5	Q	No Longer Avail.
36523	A-35810-10	BR, N, SR	No Longer Avail.	36637	A-36636-3	N	Repl. by A-36636-5
36523	A-35810-12	BR, N, R, SR	Use A-35810-10	36637	A-36636-5	N	No Longer Avail.
36523	A-35810-17	N	No Longer Avail.	36637	A-36636		No Longer Avail.
36523	A-35810-7		No Longer Avail.	36647	A-36646		No Longer Avail.
36525	A-35814-10	BR, N, SR	Repl. by A-35814-8	36653X	A-35818-7		
36525	A-35814-14	N	No Longer Avail.	36657	A-35920-1		No Longer Avail.
36525	A-35814-6		No Longer Avail.	36657	A-35920-3	BR, N, R, W	No Longer Avail.
36525	A-35814-8	BR, N, SR	No Longer Avail.	36657	A-35920-9	N	No Longer Avail.
36527	A-35816-10	BR, SR	No Longer Avail.	36685	A-36684-6	N	Repl. by A-40176-7
36527	A-35816-12	BR, N, SR	Repl. by A-35816-10	36685	A-36684		No Longer Avail.
36527	A-35816-14	BR, N, R, SR	Repl. by A-35816-10	36687	A-35136-10	N	No Longer Avail.
36527	A-35816-17	N	No Longer Avail.	36687	A-35136-7		No Longer Avail.
36527	A-35816-8		No Longer Avail.	36723	A-36722-1	N	Repl. by A-36722-4
36527	A-35816-9		Repl. by A-35816-17	36723	A-36722-2		Use A-36722-4
36529	A-35818-10		No Longer Avail.	36725	A-36722		Repl. by A-36722-13
36529	A-35818-12	BR, N, SR	No Longer Avail.	36733	A-35838-2		No Longer Avail.
36529	A-35818-14	BR, N, SR	Repl. by A-35818-12	36733	A-35838-5	BR, N, R, W	A-3800-V-594 Carrier
36529	A-35818-16	BR, SR, R, N	No Longer Avail.	36733	A-35838-8	N	No Longer Avail.
36529	A-35818-20	N	No Longer Avail.	36737	A-36736		No Longer Avail.
36533	A-35772-6		No Longer Avail.	36737	A-36738-1		No Longer Avail.
36533	A-35772-7	BR, N, SR	No Longer Avail.	36739	A-36738-2	N	No Longer Avail.
36533	A-35772-8	N	No Longer Avail.	36739	A-36738		No Longer Avail.
36535	A-35774-4		No Longer Avail.	36743	A-35818-21	N, W	No Longer Avail.
36535	A-35774-5	BR, N, W	No Longer Avail.	36743	A-35818-8		No Longer Avail.
36535	A-35774-6	N	No Longer Avail.	36745X	A-36028-7		No Longer Avail.
36537	A-35958-1		No Longer Avail.	36747	A-36750-3		
36537	A-35958-2	BR, N, SR	No Longer Avail.	36749	A-36750-2	Q	
36537	A-35958-3	N	No Longer Avail.	36751	A-36750-1	Q	No Longer Avail.
36539	A-35732-3		No Longer Avail.	36753	A-36750-9		No Longer Avail.
36539	A-35732-4	BR, N, SR	No Longer Avail.	36753	A-36750		Repl. by A-36750-9
36539	A-35732-6	SR	No Longer Avail.	36755	A-35344-6		No Longer Avail.
36539	A-35732-7	N	No Longer Avail.	36757	A-35344-5	Q	No Longer Avail.
36541	A-35778-1		No Longer Avail.	36759	A-36758-1		No Longer Avail.
36541	A-35778-2	BR, N, SR	No Longer Avail.	36759	A-36758	N	No Longer Avail.
36541	A-35778-3	N	No Longer Avail.	36759	A-37030	N	
36543	A-35776-2			36761	A-35910-2		No Longer Avail.
36543	A-35776-3	BR, N, SR		36761	A-35910-4	BR, N, R, W	No Longer Avail.
36543	A-35776-4	N		36763	A-36636-1		No Longer Avail.
36545	A-35956-1			36763	A-36636-2	BR, N, SR	No Longer Avail.
				36763	A-36636-4	N	No Longer Avail.
				36767	A-36766-1		Repl. by A-36766

HARDWARE KEY

B - Bolt or Capscrew **BN** - Button **BR** - Bearing or Bearing Race **MN** - Metric Nut
N - Nut **Q** - Quill **R** - Retainer **RV** - Rivet
S - Shim **SG** - Spur Gear **SR** - Snap Ring or Lock Ring **W** - Washer

SPLINE SIZE KEY

T - Tapered **STR** - Straight

(1) Recommended fasteners, not included with gearset.

(gr) Ring gear

GEARSETS BY PINION NUMBER

Pinion	Gearset	Hardware Incl.	Remarks	Pinion	Gearset	Hardware Incl.	Remarks
36767	A-36766-5	BR, N, W		36877	A-35856-8	BR, N, SR	
36767	A-36766	N		36877	A-35856-9	N	
36769	A-36768-1	BR, N, SR		36879	A-35856-10	N	
36769	A-36768-2	N		36879	A-35856-11		Repl. by A-35856-10
36769	A-36768			36879	A-35856-4	BR, N, SR	
36773	A-36612-1			36879	A-35856-7		Repl. by A-35856-10
36773	A-36612-2	BR, N, SR		36881	A-35588-11	N	No Longer Avail.
36773	A-36612-3	N		36881	A-35588-6	BR, N, SR	No Longer Avail.
36783	A-35840-1	N	Repl. by A-40160-1	36881	A-35588-8		No Longer Avail.
36785	A-35372-4	N		36881	A-35588-9	BR, N, SR	
36787	A-36786-1	BR, N, SR	No Longer Avail.	36883	A-35588-10	N	No Longer Avail.
36787	A-36786-2	N		36883	A-35588-5	BR, N, SR	No Longer Avail.
36787	A-36786			36883	A-35588-7		No Longer Avail.
36787	A-37526-1	BR, N, SR	No Longer Avail.	36883	A-37646-1	N	
36787	A-37526		No Longer Avail.	36883	A-37646X		
36795	A-35704-4		Use A-35704-8	36887	A-35874-3		No Longer Avail.
36795	A-35704-5		Use A-35704-8	36887	A-35874-4	BR, N, SR	No Longer Avail.
36795	A-35704-8	N		36887	A-35874-5	N	No Longer Avail.
36795	A-35704-9	BR, N, SR		36889	A-35586-11	N	No Longer Avail.
36797	A-35702-10	BR, N, SR	Use A-35702-12	36889	A-35586-6	BR, N, SR	No Longer Avail.
36797	A-35702-3		No Longer Avail.	36889	A-35586-8		No Longer Avail.
36797	A-35702-4			36889	A-35586-9	BR, N, SR	
36797	A-35702-8	N	Use A-35702-12	36891	A-35586-10	N	No Longer Avail.
36801	A-36800		No Longer Avail.	36891	A-35586-5	BR, N, SR	No Longer Avail.
36803	A-36802-1	N	No Longer Avail.	36891	A-35586-7		No Longer Avail.
36803	A-36802-5	N	No Longer Avail.	36893	A-35590-10	BR, N, SR	Repl. by A-35590-7
36805	A-36722-10	N	No Longer Avail.	36893	A-35590-11	N	No Longer Avail.
36805	A-36722-4		No Longer Avail.	36893	A-35590-7	BR, N, SR	No Longer Avail.
36805	A-36722-6	BR, N, SR	No Longer Avail.	36893	A-35590-9		No Longer Avail.
36805	A-36722-8			36895	A-35590-12	N	
36807	A-36722-3	N, W	Use A-36722-13	36895	A-35590-6	BR, N, SR	
36807	A-36722-5	BR, N, SR	Use A-36722-14	36895	A-35590-8		Use A-35590-12
36807	A-36722-7		Use A-36722-13	36897	A-35704-11		
36807	A-36722-9	N, W	Use A-36722-13	36899	A-35704-10	N	No Longer Avail.
36839	A-36838		Repl. by A-36838-1	36899	A-35704-6	BR, N, SR	No Longer Avail.
36867X	A-36102-2	N		36899	A-35704-7		No Longer Avail.
36867X	A-36102-3			36901	A-35702-11		No Longer Avail.
36869X	A-36036-2	N		36901	A-35702-12	BR, N, SR	No Longer Avail.
36869X	A-36036-3			36903	A-35702-5	BR, N, SR	
36871X	A-36054-2	N		36903	A-35702-6		
36871X	A-36054-3			36903	A-35702-7	B, BR, N, SR, W	
36873	A-35966-11	N		36903	A-35702-9	N	
36873	A-35966-5		No Longer Avail.	36905	A-35746-11	N	
36873	A-35966-7	BR, SR	No Longer Avail.	36905	A-35746-6	BR, N, SR	
36873	A-35966-9	BR, N, SR		36905	A-35746-8		
36875	A-35966-10	N	No Longer Avail.	36905	A-35746-9	BR, N, SR	Repl. by A-35746-6
36875	A-35966-4		No Longer Avail.	36907	A-35746-10	N	
36875	A-35966-6	BR, N, SR	No Longer Avail.	36907	A-35746-12	B, N, W	
36877	A-35856-5	BR, N, SR		36907	A-35746-5	BR, N, SR	
36877	A-35856-6						

HARDWARE KEY

B - Bolt or Capscrew	BN - Button	BR - Bearing or Bearing Race	MN - Metric Nut
N - Nut	Q - Quill	R - Retainer	RV - Rivet
S - Shim	SG - Spur Gear	SR - Snap Ring or Lock Ring	W - Washer

SPLINE SIZE KEY

T - Tapered **STR** - Straight

(1) Recommended fasteners, not included with gearset.

(gr) Ring gear

GEARSETS BY PINION NUMBER

Pinion	Gearset	Hardware Incl.	Remarks	Pinion	Gearset	Hardware Incl.	Remarks
36907	A-35746-7		Use A-35746-10	37087	A-36684-2	N	Repl. by A-40176-1
36913	A-36912-2	BR, N, SR	No Longer Avail.	37087	A-36684-3	N	Repl. by A-40176-1
36913	A-36912-5	N		37089	A-37088-1	BR, N, SR	No Longer Avail.
36913	A-36912			37089	A-37088-2	N	No Longer Avail.
36917X	A-35968-2	N		37089	A-37088		No Longer Avail.
36917X	A-35968-3			37091	A-37090-1	BR, N, SR	
36925	A-36222-7			37091	A-37090-2	N	
36925	A-36222-8	BR, N, SR		37091	A-37090		
36941	A-36940-1	SR, N, R, BR	No Longer Avail.	37097	A-37042-1		
36941	A-36940		No Longer Avail.	37103	A-36802-2		No Longer Avail.
36951	A-36950-1	N		37103	A-36802-3	BR, N, SR, W	
36951	A-36950-2		No Longer Avail.	37103	A-36802-4	N, W	No Longer Avail.
36951	A-36950-3	N	No Longer Avail.	37103	A-36802	N, W	No Longer Avail.
36951	A-36950	BR	No Longer Avail.	37105X	A-35344-8	Q	
36953	A-36952-1	N		37111X	A-35972-2	N	No Longer Avail.
36953	A-36952-2		No Longer Avail.	37111X	A-35972-3		No Longer Avail.
36953	A-36952-3	N	No Longer Avail.	37119	A-37118-1	BR, N, R, W	No Longer Avail.
36953	A-36952	BR	No Longer Avail.	37119	A-37118		No Longer Avail.
36967	A-36966		Repl. by A-36966-1	37121X	A-35954-2		No Longer Avail.
36969	A-36968		Repl. by A-36968-1	37123	A-37122-2	N	No Longer Avail.
36975	A-36974-1	BR, N, R, W	No Longer Avail.	37123	A-37122		No Longer Avail.
36975	A-36974		No Longer Avail.	37125	A-37124-1	BR	No Longer Avail.
37007	A-37006-1	N	No Longer Avail.	37125	A-37124		No Longer Avail.
37007	A-37006		No Longer Avail.	37127X	A-36100-2		No Longer Avail.
37015	A-37014			37131	A-37130-1	BR, N, R, W	No Longer Avail.
37065	A-36750-4	Q		37131	A-37130		No Longer Avail.
37071	A-37070-1	N		37143X	A-37142-2		No Longer Avail.
37071	A-37070-2		No Longer Avail.	37151	A-37150-1		Repl. by A-37864-2
37071	A-37070-3	N	No Longer Avail.	37151	A-37150	BR, N, W	Repl. by A-37864-2
37071	A-37070	BR, N	No Longer Avail.	37163	A-37162-1	BR, N, W	
37073	A-37072-1	N		37163	A-37162-2	N	No Longer Avail.
37073	A-37072-2		No Longer Avail.	37163	A-37162		No Longer Avail.
37073	A-37072-3	N	No Longer Avail.	37163	A-38712-1	N	No Longer Avail.
37073	A-37072	BR, N	No Longer Avail.	37163	A-38712		No Longer Avail.
37077	A-36964-1	BR, N, SR		37165	A-37164-1	N	Repl. by A-40170-1
37077	A-36964-2	N		37165	A-37164		Use A-40170-1
37077	A-36964			37169	A-34798-13	BR, SR	No Longer Avail.
37079	A-36948-1	BR, N, SR		37181	A-37180		No Longer Avail.
37079	A-36948-2	N		37185	A-37184-1	BR, N, R, W	No Longer Avail.
37079	A-36948			37185	A-37184		No Longer Avail.
37081	A-36838-1			37201X	A-35972-4		No Longer Avail.
37081	A-36838-2	BR, N, SR		37211	A-37210		No Longer Avail.
37081	A-36838-3	N		37213	A-37212		No Longer Avail.
37083	A-36966-1		Use A-36966-3	37221	A-34798-12	BR, SR	No Longer Avail.
37083	A-36966-2	BR, N, SR		37223X	A-35376-7	Q	
37083	A-36966-3	N		37225	A-34802-12		No Longer Avail.
37085	A-36968-1			37295	A-35360-2		No Longer Avail.
37085	A-36968-2	BR, N, SR		37295	A-35360-3	BR, SR	
37085	A-36968-3	N		37329	A-37328-1	N	
37087	A-36684-1		Use A-40176-1	37329	A-37328-2	N	Repl. by A-37328-1

HARDWARE KEY

B - Bolt or Capscrew **BN** - Button **BR** - Bearing or Bearing Race **MN** - Metric Nut
N - Nut **Q** - Quill **R** - Retainer **RV** - Rivet
S - Shim **SG** - Spur Gear **SR** - Snap Ring or Lock Ring **W** - Washer

SPLINE SIZE KEY

T - Tapered **STR** - Straight

(1) Recommended fasteners, not included with gearset.

(gr) Ring gear

GEARSETS BY PINION NUMBER

Pinion	Gearset	Hardware Incl.	Remarks	Pinion	Gearset	Hardware Incl.	Remarks
37329	A-37328			37529	A-37528		No Longer Avail.
37337	A-37256			37531	A-35126-5	BR, SR	
37341	A-37340-1	BR, N, W		37531	A-35126-8		
37341	A-37340-2	N		37533	A-37532-1	N	No Longer Avail.
37341	A-37340			37533	A-37532		No Longer Avail.
37341	A-38736-1	N	No Longer Avail.	37535	A-37534-1	N	No Longer Avail.
37341	A-38736		No Longer Avail.	37535	A-37534		No Longer Avail.
37343	A-36162-3		No Longer Avail.	37537	A-37536-1	N	No Longer Avail.
37343	A-36162-4	N	No Longer Avail.	37537	A-37536		No Longer Avail.
37395	A-37394-1	N, SR		37541	A-35126-6	BR, SR	No Longer Avail.
37395	A-37394			37541	A-35126-7		No Longer Avail.
37399	A-37398-1	N		37543	A-37542-1	N	No Longer Avail.
37399	A-37398		Use A-37398-1	37543	A-37542		No Longer Avail.
37405	A-37404-1	N		37545	A-37544-1	N	No Longer Avail.
37405	A-37404		Use A-37404-1	37545	A-37544		No Longer Avail.
37409	A-37296			37547	A-37546		No Longer Avail.
37413	A-37260-1	N	Repl. by A-38834-1	37549	A-37548-1	N	No Longer Avail.
37413	A-37260-2	BR	Use A-38834-1	37549	A-37548		No Longer Avail.
37413	A-37260		Use A-38834-1	37551	A-37550		No Longer Avail.
37415	A-37262-1	BR	Use A-38240-1	37553	A-37552		No Longer Avail.
37415	A-37262-2	N	Repl. by A-38240-1	37555	A-37554		No Longer Avail.
37415	A-37262		Use A-38240-1	37557	A-37556-2	N	No Longer Avail.
37417	A-37264-1		Use A-38830-1	37557	A-37556		No Longer Avail.
37417	A-37264-2		Use A-38830-1	37573	A-37494-1	BR	Use A-38836-1
37417	A-37264		Use A-38830-1	37573	A-37494-2	N	Use A-38836-1
37419	A-37278-1	BR	Use A-37278-2	37573	A-37494		Use A-38836-1
37419	A-37278-2	N		37575	A-37530-1	BR	Use A-37530-2
37419	A-37278		Use A-37278-2	37575	A-37530-2	N	
37423	A-37422-1	BR, N, SR		37575	A-37530		Use A-37530-2
37423	A-37422-2	N		37577	A-37540-1	BR	Use A-37540-2
37423	A-37422			37577	A-37540-2	N	
37429	A-37428-1	N	Use A-37428-2	37577	A-37540		Use A-37540-2
37429	A-37428-2	N		37579	A-37396-1	BR	Use A-37396-2
37429	A-37428-3	BR, N, SR		37579	A-37396-2	N	
37429	A-37428			37579	A-37396		Use A-37396-2
37445	A-37444-1	BR, N, SR		37581	A-37258-2	N, SR	
37445	A-37444-2	N		37581	A-37258		Repl. by A-37258-2
37445	A-37444			37587	A1-3889-T-306		Use A3-3889-T-306
37467	A-36222-2		No Longer Avail.	37587	A3-3889-T-306	BR, SR	RH Pinion
37467	A-36222-5	N	Use A-36222-6	37589	A-37588-1	N	Repl. by A-37588-10
37467	A-36222-6	BR, N, SR	No Longer Avail.	37589	A-37588-10	N	No Longer Avail.
37503X	A-37502-1	BR, N, SR		37589	A-37588-4	BR, N, SR	No Longer Avail.
37503X	A-37502-2	N		37589	A-37588-5		No Longer Avail.
37503X	A-37502			37589	A-37588-6	BR, N	
37509X	A-36912-1			37591	A-37588-2	N, W	Repl. by A-37588-13
37509X	A-36912-4	N		37591	A-37588-3	BR, N, W	Repl. by A-37588-14
37519	A-36750-5		No Longer Avail.	37591	A-37588-7		Repl. by A-37588-13
37521	A-37520		No Longer Avail.	37591	A-37588-8	BR, N, SR, W	Repl. by A-37588-14
37527	A-35126-4	BR, SR		37591	A-37588-9	N, W	Repl. by A-37588-13
37529	A-37528-2		No Longer Avail.	37591	A-37588	N, W	Repl. by A-37588-11

HARDWARE KEY

B - Bolt or Capscrew **BN** - Button **BR** - Bearing or Bearing Race **MN** - Metric Nut
N - Nut **Q** - Quill **R** - Retainer **RV** - Rivet
S - Shim **SG** - Spur Gear **SR** - Snap Ring or Lock Ring **W** - Washer

SPLINE SIZE KEY

T - Tapered **STR** - Straight

(1) Recommended fasteners, not included with gearset.

(gr) Ring gear

GEARSETS BY PINION NUMBER

Pinion	Gearset	Hardware Incl.	Remarks	Pinion	Gearset	Hardware Incl.	Remarks
37593X	A-35142-4	BR, SR	No Longer Avail.	37769	A-37024-4	BR, W	Use A-37024-8
37595	A-37594-1	N	No Longer Avail.	37769	A-37024-5	N	Use A-37024-8
37595	A-37594		No Longer Avail.	37769	A-37024-8	BR, N, W	
37597	A-37596-1	BR	Use A-37596-2	37771	A-37026-1	N	No Longer Avail.
37597	A-37596-2	N		37771	A-37026		No Longer Avail.
37597	A-37596		Use A-37596-2	37773	A-37354-2		Repl. by A-37354-4
37599	A-37598-1	N	No Longer Avail.	37773	A-37354-3	BR, W	Use A-37354-4
37599	A-37598		No Longer Avail.	37773	A-37354-4	N	
37601	A-37600		No Longer Avail.	37773	A-37354-7	BR, N, W	
37609	A-37608-1	N	No Longer Avail.	37775	A-37142-3		Repl. by A-37142-4
37609	A-37608	N	No Longer Avail.	37775	A-37142-4	BR, N, W	
37633	A-37632		No Longer Avail.	37775	A-37142-5	N	Repl. by A-37142-4
37635	A-37634		No Longer Avail.	37777	A-37144-3		
37639	A-37638		No Longer Avail.	37777	A-37144-4	BR, N, SR	
37641	A-37640-1	N	No Longer Avail.	37777	A-37144-5	N	Use A-37144-4
37641	A-37640		No Longer Avail.	37779	A-37654-2		Use A-37654-6
37643	A-36256-1		No Longer Avail.	37779	A-37654-3	BR, W	Use A-37654-6
37643	A-36256-3	BR, N, R, W	No Longer Avail.	37779	A-37654-4	N	Use A-37654-6
37649X	A-37354-1	BR, W	Use A-37354-4	37779	A-37654-5	N	Use A-37654-6
37649X	A-37354		Use A-37354-4	37779	A-37654-6	BR, N, W	
37651X	A-37142-1	BR, W	Use A-37142-4	37789	A-35840-5		No Longer Avail.
37663	A-37662-1	BR, N, SR	No Longer Avail.	37789	A-35840-8	N	No Longer Avail.
37663	A-37662		No Longer Avail.	37813X	A-35978-3	BR, N, W	
37691	A-37690		No Longer Avail.	37815	A-35266-2	BR, SR	No Longer Avail.
37693	A-37692		No Longer Avail.	37821	A-37796-1	N	No Longer Avail.
37709	A-37708-2	N	No Longer Avail.	37821	A-37796		Use A-37796-1
37709	A-37708		No Longer Avail.	37825	A-35134-12	BR, N, R, W	Repl. by A-40680-4
37711	A-37710-1	N	No Longer Avail.	37825	A-35134-7		Use A-40680-1
37711	A-37710		No Longer Avail.	37825	A-35134-8	N	Repl. by A-40680-1
37721	A-37708-1		No Longer Avail.	37827	A-35166-11	BR, N, R, W	Repl. by A-40682-2
37721	A-37708-3	BR, N, SR	No Longer Avail.	37827	A-35166-8		Use A-40682-1
37723X	A-37710-2		No Longer Avail.	37827	A-35166-9	N	Repl. by A-40682-1
37723X	A-37710-3	BR, N, SR	No Longer Avail.	37827	B-35166-9	N	Repl. by A-40682-1
37727	A-37726-1	BR, N	No Longer Avail.	37831	A-35444-10	N	Repl. by A-40678-1
37727	A-37726		No Longer Avail.	37831	A-35444-9		Use A-40678-1
37729	A-37728-1	BR, N, R, SR	No Longer Avail.	37833	A-35768-5		Use A-40676-1
37729	A-37728		No Longer Avail.	37833	A-35768-6	N	Repl. by A-40676-1
37755	A-37754-1	BR, SR		37833	A-35768-8	BR, N, R, W	Use A-40676-1
37755	A-37754			37835	A-35136-11		Use A-40674-1
37757	A-37756-1	BR, N, R, W		37835	A-35136-12	N	Repl. by A-40674-1
37757	A-37756			37835	A-35136-14	BR, N, R, W	Repl. by A-40674-5
37757	B-37756-1	N, BR, R, SR	No Longer Avail.	37837	A-35470-5		Use A-40546-1
37757	B-37756		No Longer Avail.	37837	A-35470-6	N	Repl. by A-40546-1
37759	A-37758-1	BR, W, R		37837	A-35470-7	BR, N, R, W	Use A-40546-1
37759	A-37758			37837	B-35470-5		No Longer Avail.
37767	A-37766-1	BR, W		37837	B-35470-6	N	No Longer Avail.
37767	A-37766-2	N	Repl. by A-37766-3	37839	A-35208-10	N	Repl. by A-40544-1
37767	A-37766-3	N		37839	A-35208-11	BR, N, R, W	Repl. by A-40544-4
37767	A-37766		Repl. by A-37766-3	37839	A-35208-9		Use A-40544-1
37769	A-37024-3		Use A-37024-8	37839	B-35208-10	N	Repl. by A-40544-1

HARDWARE KEY

B - Bolt or Capscrew	BN - Button	BR - Bearing or Bearing Race	MN - Metric Nut
N - Nut	Q - Quill	R - Retainer	RV - Rivet
S - Shim	SG - Spur Gear	SR - Snap Ring or Lock Ring	W - Washer

SPLINE SIZE KEY

T - Tapered **STR** - Straight

(1) Recommended fasteners, not included with gearset.

(gr) Ring gear

GEARSETS BY PINION NUMBER

Pinion	Gearset	Hardware Incl.	Remarks	Pinion	Gearset	Hardware Incl.	Remarks
37841	A-35932-4		Use A-40542-1	37891	A-37890-2	N	Repl. by A-40162-1
37841	A-35932-5	N	Repl. by A-40542-1	37891	A-37890		Use A-40162-1
37841	A-35932-6	BR, N, R, W	Use A-40542-1	37909	A-37884		
37843	A-35178-10	N	Repl. by A-40536-1	37945	A-37944-1	BR, N	Use A-37944-5
37843	A-35178-12	BR, N, R, W	Use A-40536-1	37945	A-37944-2	N	Use A-37944-4
37843	A-35178-9		Use A-40536-1	37945	A-37944		Use A-37944-4
37845	A-35372-8		Use A-40504-1	37947	A-36768-3		Use A-36768-7
37845	A-35372-9	N	Repl. by A-40504-1	37947	A-36768-4	BR	Use A-36768-7
37847	A-35836-6		Repl. by A-38414-1	37949	A-35774-7		Repl. by A-35774-11
37847	A-35836-7	N	Repl. by A-38414-1	37949	A-35774-8	BR	Use A-35774-11
37847	A-38414-1	N		37951	A-35732-10	N	Repl. by A-35732-12
37847	A-38414-2	BR, N, R, W		37951	A-35732-8		Repl. by A-35732-12
37847	A-38414			37951	A-35732-9	BR	Repl. by A-35732-12
37849	A-35918-5		Use A-40306-5	37953	A-35778-4		Repl. by A-38790-2
37849	A-35918-6	N	Repl. by A-40306-5	37953	A-35778-5	BR	Repl. by A-38790-3
37849	A-35918-9	BR, N, R, W	Repl. by A-40306-8	37955	A-35776-5		Repl. by A-35776-9
37851	A-35920-10	BR, N, R, W	No Longer Avail.	37955	A-35776-6	BR	Use A-35776-9
37851	A-35920-5		No Longer Avail.	37955	A-35776-7	N	Use A-35776-9
37851	A-35920-6	N	No Longer Avail.	37957	A-36612-4		Repl. by A-36612-9
37853	A-35916-10	BR, N, R, W	No Longer Avail.	37957	A-36612-5	BR	Repl. by A-36612-9
37853	A-35916-6		Use A-40182-3	37957	A-36612-6	N	Repl. by A-36612-9
37853	A-35916-7	N	Repl. by A-40182-3	37961	A-37960-1	BR	Use A-37960-5
37855	A-35914-5		Use A-40182-3	37961	A-37960-6	BR, SR, W, N	
37855	A-35914-6	N	Repl. by A-40182-3	37961	A-37960		Use A-37960-4
37857	A-35912-11	BR, N, R, W	Use A-40178-5	37963	A-36044-1	BR	Use A-36044-7
37857	A-35912-7		Use A-40178-5	37963	A-36044-2		Use A-36044-6
37857	A-35912-8	N	Repl. by A-40178-5	37963	A-36044-3	N	Use A-36044-6
37859	A-35838-10	N	No Longer Avail.	37963	A-36044		Use A-36044-6
37859	A-35838-13	BR, N, R, W	Use A-40164-5	37977	A-35910-11	BR, N, R, W	Use A-40172-5
37859	A-35838-9		No Longer Avail.	37977	A-35910-7		No Longer Avail.
37863	A-37862			37977	A-35910-8	N	No Longer Avail.
37865	A-37864-1		No Longer Avail.	37979	A-35840-6		No Longer Avail.
37865	A-37864-2	N, W	No Longer Avail.	37979	A-35840-7	N	No Longer Avail.
37869	A-35448-7		No Longer Avail.	37981	A-36256-5		Use A-40158-1
37869	A-35448-8	N	No Longer Avail.	37981	A-36256-6	N	Repl. by A-40158-1
37871	A-35460-4			37981	A-36256-7	BR, N, R, W	Use A-40158-1
37871	A-35460-5	N		37981	A-38428-3		Use A-40158-1
37873	A-35302-4		No Longer Avail.	37981	A-38428-4	BR, N, R, W	Use A-40158-1
37873	A-35302-5	N	No Longer Avail.	37985	A-35344-13		
37875	A-35252-7		No Longer Avail.	37985	A-35344-9		Use A-35344-13
37875	A-35252-8	N	No Longer Avail.	37987	A9-3889-L-272	Q	LH Pinion
37877	A-35750-2			37989	A-36750-7	Q	No Longer Avail.
37877	A-35750-3	N		37991	A-36750-8		
37879	A-35338-5		No Longer Avail.	37993	A-35376-8		
37879	A-35338-6	N	No Longer Avail.	37995	A-37058-1	N	No Longer Avail.
37883	A-37882			37995	A-37058		No Longer Avail.
37887	A-35926-1		3200-L-1234 Carrier	37997	A10-3889-L-272	N	LH Pinion
37889	A-37888-3	N	No Longer Avail.	38001	A-38000-1	N	No Longer Avail.
37889	A-37888-4	BR, N, R, W	No Longer Avail.	38001	A-38000		No Longer Avail.
37889	A-37888		No Longer Avail.	38003	A-38002-1	N	

HARDWARE KEY

B - Bolt or Capscrew	BN - Button	BR - Bearing or Bearing Race	MN - Metric Nut
N - Nut	Q - Quill	R - Retainer	RV - Rivet
S - Shim	SG - Spur Gear	SR - Snap Ring or Lock Ring	W - Washer

SPLINE SIZE KEY

T - Tapered **STR** - Straight

(1) Recommended fasteners, not included with gearset.

(gr) Ring gear

GEARSETS BY PINION NUMBER

Pinion	Gearset	Hardware Incl.	Remarks	Pinion	Gearset	Hardware Incl.	Remarks
38003	A-38002-2	BR, N		38135	A-38134-1	N	Repl. by A-38134-2
38003	A-38002			38135	A-38134-2	BR, N, W	
38005	A-38004-1			38135	A-38134		Repl. by A-38134-2
38005	A-38004-2	BR, N, W		38139	A-38138		
38005	A-38004-5	BR, N, W		38143X	A-35126-11		Use A35126-8
38005	A-38004	N		38143X	A-35126-12	BR, SR	Use A 35126-5 and 1227-M-117
38007	A-38006-2		No Longer Avail.	38153	A-38152-1	N	
38007	A-38006-3	N	No Longer Avail.	38153	A-38152		
38007	A-38006-5	BR, N, SR	No Longer Avail.	38155	A-35918-7		No Longer Avail.
38009	A-38006-1	N, W	Repl. by A-38006-10	38155	A-35918-8	N, BN	Repl. by A-40306-3
38009	A-38006-4	BR, N, SR, W	Repl. by A-38006-12	38157	A-35912-10	N	Repl. by A-40178-3
38009	A-38006		Repl. by A-38006-10	38157	A-35912-9		No Longer Avail.
38011	A-35376-9			38159	A-38158-1	N	
38013	A-35344-10	Q		38159	A-38158		
38015	A-38014	Q	No Longer Avail.	38163	A-38162-1	N	
38017	A-38014-1			38163	A-38162		No Longer Avail.
38019	A-37888-1		Use A-40534-1	38167	A-35910-10	N, BN	Repl. by A-40172-3
38019	A-37888-2	N	Repl. by A-40534-1	38167	A-35910-9		No Longer Avail.
38019	A-37888-5	BR, N, R, W	Use A-40534-1	38169	A-35914-8		Use A-40182-9
38049	A-38048		Use A-38048-2	38175	A-37890-3	N	Repl. by A-40162-3
38061	A-38060			38175	A-37890-4		No Longer Avail.
38063	A-34724-3		Ditchwitch	38177	A-35920-7		Use A-40502-3
38063	A-34724-4	N	Ditchwitch	38177	A-35920-8	N	Repl. by A-40502-3
38077	A-38076-1	N		38179	A-35838-11		Repl. by A-40164-3
38077	A-38076-2	BR, N, W	No Longer Avail.	38179	A-35838-12	N	Repl. by A-40164-3
38077	A-38076			38187	A-35776-10		
38079	A-37302-1	N	Repl. by A-37302-2	38187	A-35776-8		
38079	A-37302-2	BR, N, W	No Longer Avail.	38187	A-35776-9	BR, N, SR	
38079	A-37302		No Longer Avail.	38213	A-37960-2	N	
38083	A-37890-1		No Longer Avail.	38213	A-37960-3		
38083	A-37890-5	N	No Longer Avail.	38213	A-37960-4	N, SR	No Longer Avail.
38097	A-38096-1	N	No Longer Avail.	38213	A-37960-5	BR, N, SR	
38097	A-38096		No Longer Avail.	38215	A-36612-10	BR, N, SR	Repl. by A-36612-9
38109	A-38108-1	N	No Longer Avail.	38215	A-36612-11	BR, N, SR	Repl. by A-36612-9
38109	A-38108		No Longer Avail.	38215	A-36612-7		Use A-36612-9
38113	A-38112-1	N		38215	A-36612-9	BR, N, SR	
38113	A-38112-2	BR, N, W		38217	A-35778-10	BR, N, SR	
38113	A-38112			38217	A-35778-11	N	Repl. by A-38790-2
38121	A-38120-1	N	.985 Bearing	38217	A-35778-7		Repl. by A-38790-2
38121	A-38120		.985 Bearing	38217	A-35778-8	N, SR	Repl. by A-38790-1
38123	A-38122-1		.985 Bearing	38217	A-35778-9	BR, N, SR	Repl. by A-38790-3
38123	A-38122		.985 Bearing	38219	A-35732-11		
38125	A-38124-1	N	No Longer Avail.	38219	A-35732-12	BR, N, SR	Repl. by A-38756-1
38125	A-38124-2	BR, N, SR		38219	A-35732-13	BR, N, SR	Repl. by A-35732-12
38125	A-38124		No Longer Avail.	38219	A-35732-14		
38127	A-38126-1	N		38221	A-35774-10		
38127	A-38126-2	BR, N, SR		38221	A-35774-11	BR, N, SR	
38127	A-38126			38221	A-35774-12	N, SR	
38129	A-38128-1	N		38221	A-35774-13	BR, N, SR	
38129	A-38128						

HARDWARE KEY

B - Bolt or Capscrew **BN** - Button **BR** - Bearing or Bearing Race **MN** - Metric Nut
N - Nut **Q** - Quill **R** - Retainer **RV** - Rivet
S - Shim **SG** - Spur Gear **SR** - Snap Ring or Lock Ring **W** - Washer

SPLINE SIZE KEY

T - Tapered **STR** - Straight

(1) Recommended fasteners, not included with gearset.

(gr) Ring gear

GEARSETS BY PINION NUMBER

Pinion	Gearset	Hardware Incl.	Remarks	Pinion	Gearset	Hardware Incl.	Remarks
38221	A-35774-9	N	Use A-35774-12	38295	A-37528-3	N, W	Repl. by A-38758-1
38223	A-37944-3			38377	A-37024-6		No Longer Avail.
38223	A-37944-4	N, SR		38377	A-37024-7	N, BN	No Longer Avail.
38223	A-37944-5	BR, N, SR		38379	A-37354-5		No Longer Avail.
38223	A-37944-6	BR, N, SR		38379	A-37354-6	N, BN	No Longer Avail.
38225	A-36768-5	N		38381	A-37144-6		No Longer Avail.
38225	A-36768-6		No Longer Avail.	38381	A-37144-7	N, BN	No Longer Avail.
38225	A-36768-7	N, SR	No Longer Avail.	38389	A-38388	Q	
38225	A-36768-8	BR, N, SR		38391	A-38390	Q	
38227	A-36044-5			38395	A-38586-3		No Longer Avail.
38227	A-36044-6	N, SR		38395	A-38586-4	BR, N, R, W	No Longer Avail.
38227	A-36044-7	BR, SR, W		38395	A-38586-5	N	No Longer Avail.
38231	A-38230-1	N	No Longer Avail.	38397	A-38502-2		Repl. by A-40160-4
38231	A-38230		No Longer Avail.	38397	A-38502-3	BR, N, R, W	No Longer Avail.
38233	A-38048-1		No Longer Avail.	38401	A-38502-4		No Longer Avail.
38233	A-38048-2	N, SR	No Longer Avail.	38401	A-38502-5	BR, N, R, W	No Longer Avail.
38233	A-38048-3	N		38403	A-35880-4		
38237	A-36684-4		No Longer Avail.	38403	A-35880-5	BR, N, SR	
38237	A-36684-5	BR, N, R, W	Repl. by A-40176-9	38459	A-36380-1	N	No Longer Avail.
38241	A-38240-1	N, SR		38459	A-36380		No Longer Avail.
38241	A-38240			38465	A-38464-1	N	No Longer Avail.
38243	A-38242-1	N	Repl. by A-38830-1	38465	A-38464		No Longer Avail.
38243	A-38242		Use A-38830-1	38467	A-38466-1	N	No Longer Avail.
38249	A-35156-12	BR, N, R, W	Repl. by A-40678-4	38467	A-38466		Repl. by A-40998
38249	A-35156-8		Use A-40678-1	38485	A-38484		No Longer Avail.
38249	A-35156-9	N	Repl. by A-40678-1	38497	A-38496-1		Repl. by A-38496
38265	A-38266-1	N, W	No Longer Avail.	38497	A-38496-4	BR, N, W	
38265	A-38266		No Longer Avail.	38497	A-38496	N	
38267	A-38268-1	N, W	No Longer Avail.	38503	A-38502-6		No Longer Avail.
38267	A-38268		No Longer Avail.	38503	A-38502-7	N	No Longer Avail.
38269	A-38270-1	N, W	No Longer Avail.	38503	A-40160-1	N	No Longer Avail.
38269	A-38270		No Longer Avail.	38503	A-40160		No Longer Avail.
38271	A-38272-1	N, W	No Longer Avail.	38553	A-36100-3		No Longer Avail.
38271	A-38272		No Longer Avail.	38553	A-36100-4	N	No Longer Avail.
38273	A-38274-1	N, W	No Longer Avail.	38555	A-40160-8		No Longer Avail.
38273	A-38274		No Longer Avail.	38555	A-40160-9	N	No Longer Avail.
38275	A-35916-8		No Longer Avail.	38561	A-37532-2		Repl. by A-37532-3
38275	A-35916-9	N, BN	Repl. by A-40182-9	38561	A-37532-3	N, W	
38281	A-38280		Volkswagen	38563	A-37534-2		Use A-37534-3
38283	A-38278-1	N	No Longer Avail.	38563	A-37534-3	N, W	
38283	A-38278-2	BR, N, SR, W		38565	A-37536-2		
38283	A-38278-5	BR, N, W, SR		38565	A-37536-3	N, W	
38283	A-38278		No Longer Avail.	38567	A-37542-2		No Longer Avail.
38285	A-38280-1		No Longer Avail.	38567	A-37542-3	N, W	
38285	A-38280-2	N	No Longer Avail.	38569	A-37544-2		Use A-37544-3
38287	A-37594-2			38569	A-37544-3	N, W	No Longer Avail.
38287	A-37594-3	N, W		38573	A-37548-3	N	
38289	A-38288	N		38573	A-38244-1	N, W	Repl. by A-38826-1
38291	A-38290			38573	A-38244		Use A-38826-1
38293	A-38292			38575	A-37598-2		No Longer Avail.

HARDWARE KEY

B - Bolt or Capscrew	BN - Button	BR - Bearing or Bearing Race	MN - Metric Nut
N - Nut	Q - Quill	R - Retainer	RV - Rivet
S - Shim	SG - Spur Gear	SR - Snap Ring or Lock Ring	W - Washer

SPLINE SIZE KEY

T - Tapered **STR** - Straight

(1) Recommended fasteners, not included with gearset.

(gr) Ring gear

GEARSETS BY PINION NUMBER

Pinion	Gearset	Hardware Incl.	Remarks	Pinion	Gearset	Hardware Incl.	Remarks
38575	A-37598-3	N, W	No Longer Avail.	38715	A-37766-5	N, BN	No Longer Avail.
38577	A-37608-3	N, W	No Longer Avail.	38717	A-38134-3		No Longer Avail.
38583	A-37640-3	N	Repl. by A-38246-1	38717	A-38134-4	N, BN	No Longer Avail.
38583	A-38246-1	N, W	No Longer Avail.	38719	A-37142-6		No Longer Avail.
38583	A-38246		No Longer Avail.	38719	A-37142-7	N	No Longer Avail.
38585	A-38000-2			38721	A-37302-3		No Longer Avail.
38585	A-38000-3	N, W		38721	A-37302-4	N, BN	No Longer Avail.
38587	A-38586-1		No Longer Avail.	38723	A-37026-2		No Longer Avail.
38587	A-38586-2	BR, N, R, W	No Longer Avail.	38723	A-37026-3	N	No Longer Avail.
38587	A-38586-6	BR, N, R, W	Use A-40504-1	38725	A-38724-1	N	No Longer Avail.
38587	A-38586	N	No Longer Avail.	38725	A-38724		No Longer Avail.
38591	A-35370-10	BR, SR		38731	A-38730-1	N, SR, W	Repl. by A-37562-1
38591	A-35370-9			38731	A-38730		Repl. by A-37562
38593	A-37326-1	N, W		38751	A-38750-1	BR, N, R, W	
38593	A-37326			38751	A-38750		
38595	A-38512-1	N, W		38757	A-38756-1	N, SR	
38597	A-38520-1	N, W		38757	A-38756-2	BR, N, SR	
38599	A-37562-1	N, W	Repl. by A-38730-1	38757	A-38756		
38601	A-37382-1	N, W		38759	A-38758-1	N, W	No Longer Avail.
38601	A-37382			38759	A-38758		No Longer Avail.
38603	A-37564-1	N, W		38761	A-38760-1	N	Repl. by A-40534-1
38603	A-37564			38761	A-38760		Use A-40534-1
38605	A-37566-1	N, W		38775	A-38774-1	MN	Repl. by A-38774-4
38605	A-37566			38775	A-38774		Use A-38774-4
38607	A-37392-1	N, W		38785	A-38784-1	MN	Repl. by A-38784-4
38607	A-37392			38785	A-38784		Use A-38784-4
38609	A-37376-1	N, W		38791	A-38790-1	N, SR	
38609	A-37376			38791	A-38790-2	N	
38611	A-37374-1	N, W	Repl. by A-38822-1	38791	A-38790-3	BR, N, SR	
38611	A-37374		Use A-38822-1	38791	A-38790		
38613	A-38524-1	N, W	Repl. by A-38828-1	38801	A-38800-1	N	Repl. by A-40074-1
38615	A-38526-1	N, W		38801	A-38800		Use A-40074-1
38617	A-37308-1	N, SR, W	Repl. by A-38832-1	38801	B-38800-1	N	Repl. by A-40074-1
38617	A-37308		Use A-38832-1	38807	A-38806-1	N	Repl. by A-40536-1
38619	A-37306-1			38807	A-38806		Use A-40536-1
38619	A-37306-2	N, W		38807	B-38806-1	N	Repl. by A-40536-1
38639	A-38044-1	N	Repl. by A-39206-1	38811	A-38810-1	N	Repl. by A-40542-1
38639	A-38044		Repl. by A-39206	38811	A-38810		Use A-40542-1
38655	A-36036-5			38811	B-38810-1	N	Repl. by A-40542-1
38671	A-38502-1	N	No Longer Avail.	38817	A-38816-1	N	No Longer Avail.
38671	A-38502		No Longer Avail.	38817	A-38816		No Longer Avail.
38705	A-38502-8		No Longer Avail.	38819	A-38818-1	N, SR	Repl. by A-35776-9
38705	A-38502-9	N	No Longer Avail.	38819	A-38818		Repl. by A-35776-8
38707	A-38706-1	N	No Longer Avail.	38823	A-38822-1	N, SR, W	Repl. by A-37374-1
38707	B-38706-1	N	No Longer Avail.	38823	A-38822		Repl. by A-37374
38707	B-38706		No Longer Avail.	38825	A-38824-1	N, SR	Repl. by A-37394-1
38709	A-38708-1	N		38825	A-38824		Use A-37394-1
38713	A-37654-7		No Longer Avail.	38827	A-38826-1	N, W	No Longer Avail.
38713	A-37654-8	N, BN	No Longer Avail.	38827	A-38826		No Longer Avail.
38715	A-37766-4		No Longer Avail.	38829	A-38828-1	N, W	

HARDWARE KEY

B - Bolt or Capscrew **BN** - Button **BR** - Bearing or Bearing Race **MN** - Metric Nut
N - Nut **Q** - Quill **R** - Retainer **RV** - Rivet
S - Shim **SG** - Spur Gear **SR** - Snap Ring or Lock Ring **W** - Washer

SPLINE SIZE KEY

T - Tapered **STR** - Straight

(1) Recommended fasteners, not included with gearset.

(gr) Ring gear

GEARSETS BY PINION NUMBER

Pinion	Gearset	Hardware Incl.	Remarks	Pinion	Gearset	Hardware Incl.	Remarks
38829	A-38828			3890J374	A-34802-3		
38831	A-38830-1	N, SR	Repl. by A-38242-1	3890J400	A-35142-7	BR, SR	Repl. by A-40498-1
38831	A-38830		Repl. by A-38242	3890J400	A-35142		Repl. by A-40498-1
38833	A-38832-1	N, W	Repl. by A-37308-1	3890J426	A-34800-11	BR, SR	No Longer Avail.
38833	A-38832		Repl. by A-37308	3890K297	A-3889-S-201	N	
38835	A-38834-1	N, SR		3890K375	A-34798-6	BR, SR	No Longer Avail.
38835	A-38834-2	BR		3890K401	A-34800-8	BR, N, SR	No Longer Avail.
38835	A-38834			3890L376	A-34798-1	BR, N, SR	No Longer Avail.
38837	A-38836-1	N, SR	Repl. by A-37494-2	3890L428	A-34814-9	BR, SR	
38837	A-38836		Repl. by A-37494	3890M351	A-3889-Z-286	N	No Longer Avail.
38873	A-38872-1	N	No Longer Avail.	3890M377	A-34802-16		No Longer Avail.
38875	A-38874-1	N	No Longer Avail.	3890M377	A-34802-2	BR, N, SR	No Longer Avail.
38875	A-38874		No Longer Avail.	3890M39	A3-3889-F-32	N	
38889	A-39004-1	N	Repl. by A-40088-1	3890M403	A-35914-1		No Longer Avail.
38889	A-39004		Use A-40088-1	3890M403	A-35914-3	BR, N, R, W	Repl. by A-40182-7
38889	B-39004-1	N	No Longer Avail.	3890M403	A-35914-7	N	Use A-40182-5
38889	B-39004		No Longer Avail.	3890N326	A-3889-C-159		Pinion internal spline-LH
3890A339	A-34800-5		No Longer Avail.	3890N326	A1-3889-Z-156		Pinion internal spline-LH
3890A391	A-3889-W-283	N		3890N456	A-35840-2		No Longer Avail.
3890A391	A1-3889-W-283		Use A-3889-W-283	3890N456	A-35840-4	BR, N, R, W	No Longer Avail.
3890C289	A-3889-M-221	N		3890P250	A2-3889-F-32	N	No Longer Avail.
3890C289	A1-3889-M-221			3890P406	A-35590-3		
3890C419	A-35256-2	BR, SR	Repl. by A-40370-1	3890Q381	A-34800-7	BR, N, SR	
3890C419	A-35256-5		Use A-40370-1	3890Q407	A-35916-1		No Longer Avail.
3890D342	A-34798-5		No Longer Avail.	3890Q407	A-35916-3	BR, N, R, W	Repl. by A-40182-7
3890D368	A-34814-6	BR, SR		3890Q407	A-35916-5	N	Repl. by A-40182-5
3890D394	A-35350-3		No Longer Avail.	3890Q433	A-3889-Y-311	BR, SR	Repl. by A-40500-1
3890D4	A-3889-E-83	N	No Longer Avail.	3890Q433	A1-3889-Y-311		Repl. by A-40500
3890D420	A-3889-T-306		RH Pinion	3890Q459	A-34802-10	BR, SR	No Longer Avail.
3890D420	A2-3889-T-306	BR, N, SR	RH Pinion	3890Q459	A-34802-22		No Longer Avail.
3890E343	A-3889-E-291	N	No Longer Avail.	3890R356	A-35184-1	BR, N, SR	No Longer Avail.
3890E369	A1-3889-W-179	N	No Longer Avail.	3890R356	A-35184-4		No Longer Avail.
3890F344	A-3889-D-264	N	RH Pinion	3890R382	A-34814-1		No Longer Avail.
3890F344	A-3889-F-292	N	RH Pinion	3890R382	A-34814-14	N	No Longer Avail.
3890F370	A-34802-1	BR, SR	No Longer Avail.	3890R408	A-34814-15		
3890F370	A-34802-20		No Longer Avail.	3890R408	A-34814-7	BR, N, SR	
3890F396	A-34814-3			3890S253	A-3889-W-179	N	No Longer Avail.
3890G319	A2-3889-U-177		No Longer Avail.	3890S331	A-3889-R-252	N	LH Pinion
3890G345	A-3889-E-265	N	RH Pinion	3890S331	A1-3889-R-252		LH Pinion
3890G371	A-34800-4		No Longer Avail.	3890S357	A-34800-1		No Longer Avail.
3890G397	A-34958-1			3890S97	A-3889-E-213		No Longer Avail.
3890G397	A-34958-2	BR, SR		3890S97	A-3889-W-75		No Longer Avail.
3890G423	A-34798-9	BR, SR	No Longer Avail.	3890T280	A-3889-W-205		No Longer Avail.
3890G449	A-34342-2	BR, SR		3890T384	A-34798-14	N	
3890G449	A-34342-4		Use A-34342-2	3890T384	A-34798-2		
3890H102	A-34814-13			3890U281	A-3889-X-206		Repl. by A-35406
3890H107	A-34798-3		No Longer Avail.	3890W309	A-3889-F-240		LH Pinion. Repl. by A-35458
3890H108	A-34814-2						
3890H320	A-35298	N	No Longer Avail.				
3890H372	A-34798-7	BR, N, SR	No Longer Avail.				

HARDWARE KEY

B - Bolt or Capscrew **BN** - Button **BR** - Bearing or Bearing Race **MN** - Metric Nut
N - Nut **Q** - Quill **R** - Retainer **RV** - Rivet
S - Shim **SG** - Spur Gear **SR** - Snap Ring or Lock Ring **W** - Washer

SPLINE SIZE KEY

T - Tapered **STR** - Straight

(1) Recommended fasteners, not included with gearset.

(gr) Ring gear

GEARSETS BY PINION NUMBER

Pinion	Gearset	Hardware Incl.	Remarks	Pinion	Gearset	Hardware Incl.	Remarks
3890W361	A-34798-4			39111	B-41016-1	N, W	Repl. by B-41016-3
3890X310	A-3889-H-242		LH Pinion. Repl. By A-35454	39113	A-39114-1	MN	Repl. by B-41018-4
3890X362	A3-3889-N-170			39113	A-39114		Use B-41018-4
3890Y337	A-35184	BR, SR		39113	A-41018-1	N, W	Repl. by B-41018-4
3890Y363	A2-3889-E-213			39113	B-41018-1	N, W	Repl. by B-41018-3
3890Y389	A-34800-14	BR, N, SR	No Longer Avail.	39167	A-39166-1	N, W	
3890Y389	A-34800-3		No Longer Avail.	39167	A-39166		No Longer Avail.
3890Y441	A-34802-17		No Longer Avail.	39169	A-39168-1	N, W, SR	No Longer Avail.
3890Y441	A-34802-6	BR, SR	No Longer Avail.	39171	A-39170-1	N, SR	Repl. by A-41816-1
3890Z390	A-34802-15			39183	A-38814-1	N	Repl. by A-40162-1
3890Z390	A-34802-21		Dup. to A-34802-15	39183	A-38814		Use A-40162-1
3892P354	A1-3889-L-272			39185	A-39016-1	N	Repl. by A-40046-1
38989	A-38988-1	MN	Repl. by A-38988-4	39185	A-39016		Use A-40046-1
38989	A-38988		Use A-38988-4	39187	A-38812-1	N	Repl. by A-40170-1
38991	A-38990-1	MN	Repl. by A-38990-4	39187	A-38812		Use A-40170-1
38991	A-38990		Use A-38990-4	39189	A-38808-1	N	Repl. by A-40164-9
38993	A-38992-1	MN	Repl. by A-38992-4	39189	A-38808		Use A-40164-1
38993	A-38992		Use A-38992-4	39191	A-38798-1	N	Repl. by A-40036-1
38995	A-38994-1	MN	Repl. by A-38994-4	39191	A-38798		Use A-40036-1
38995	A-38994		Use A-38994-4	39193	A-39006-1	N	Repl. by A-40682-1
38997	A-38996-1	N, W	Repl. by A-38996-4	39193	A-39006		Use A-40682-1
39097	A-38846-1	MN	Repl. by B-41012-3	39197	A-39018-1	N	Repl. by A-40502-1
39097	A-38846		No Longer Avail.	39197	A-39018		Use A-40502-1
39097	A-41012-1	N, W	Repl. by B-41012-3	39207	A-39206-1	N	
39097	B-41012-1	N, W	Repl. by B-41012-3	39207	A-39206		
39099	A-38844-1	MN	Repl. by B-41010-4	39233	A-36028-19		No Longer Avail.
39099	A-38844		No Longer Avail.	39233	A-36028-20	N, W	No Longer Avail.
39099	A-41010-1	N, W	Repl. by B-41010-4	39233	A-36028-21	N, SG, W	No Longer Avail.
39099	B-41010-1	N, W	Repl. by B-41010-3	39233	A-36028-22	BR, N, SG, W, SR	No Longer Avail.
39101	A-38842-1	MN	Repl. by B-41008-4	39233	A-36028-23	BR, N, SR, W	No Longer Avail.
39101	A-38842		Use B-41008-4	39235	A-37588-11		No Longer Avail.
39101	A-41008-1	N, W	Repl. by B-41008-4	39235	A-37588-12	N, W	No Longer Avail.
39101	B-41008-1	N, W	Repl. by B-41008-3	39235	A-37588-13	N, SG, W	No Longer Avail.
39103	A-39090-1	MN	Repl. by B-41014-4	39235	A-37588-14	BR, N, SG, W, SR	No Longer Avail.
39103	A-39090		Use B-41014-4	39235	A-37588-15	BR, N, SR, W	No Longer Avail.
39103	A-41014-1	N, W	Repl. by B-41014-4	39237	A-38006-10	N, SG, W	
39103	B-41014-1	N, W	Repl. by B-41014-3	39237	A-38006-11	BR, N, SR, W	No Longer Avail.
39105	A-38840-1	MN	Repl. by B-41006-4	39237	A-38006-12	BR, N, SG, W, SR	No Longer Avail.
39105	A-38840		Use B-41006-4	39237	A-38006-8		No Longer Avail.
39105	A-41006-1	N, W	Repl. by B-41006-4	39237	A-38006-9	N, W	No Longer Avail.
39105	B-41006-1	N, W	Repl. by B-41006-3	39239	A-35818-22		
39107	A-38838-1	MN	Repl. by B-41004-4	39239	A-35818-23	N, W	No Longer Avail.
39107	A-38838		Repl. by B-41004-4	39239	A-35818-24	N, SG, W	
39107	A-41004-1	N, W	Repl. by B-41004-2	39239	A-35818-25	BR, N, SR, W	No Longer Avail.
39107	B-41004-1	N, W	Repl. by B-41004-3	39239	A-35818-26	BR, N, SG, W, SR	No Longer Avail.
39109	B-40990-1	N, W	Repl. by B-41806-1	39241	A-36722-11		No Longer Avail.
39111	A-39112-1	MN	Repl. by B-41016-4				
39111	A-39112		No Longer Avail.				
39111	A-41016-1	N, W	Repl. by B-41016-4				

HARDWARE KEY

B - Bolt or Capscrew **BN** - Button **BR** - Bearing or Bearing Race **MN** - Metric Nut
N - Nut **Q** - Quill **R** - Retainer **RV** - Rivet
S - Shim **SG** - Spur Gear **SR** - Snap Ring or Lock Ring **W** - Washer

SPLINE SIZE KEY

T - Tapered **STR** - Straight

(1) Recommended fasteners, not included with gearset.

(gr) Ring gear

GEARSETS BY PINION NUMBER

Pinion	Gearset	Hardware Incl.	Remarks	Pinion	Gearset	Hardware Incl.	Remarks
39241	A-36722-12	N, W	No Longer Avail.	39257	A-35802-18	N, SG, W	No Longer Avail.
39241	A-36722-13	N, SG, W		39257	A-35802-19	BR, N, SR, W	No Longer Avail.
39241	A-36722-14	BR, N, SG, W, SR	No Longer Avail.	39257	A-35802-20	BR, N, SG, W, SR	No Longer Avail.
39241	A-36722-15	BR, N, SR	No Longer Avail.	39259	A-35800-16		No Longer Avail.
39243	A-35816-18		No Longer Avail.	39259	A-35800-17	N, W	No Longer Avail.
39243	A-35816-19	N, W	No Longer Avail.	39259	A-35800-18	N, SG, W	No Longer Avail.
39243	A-35816-20	N, SG, W	No Longer Avail.	39259	A-35800-19	BR, N, SR, W	No Longer Avail.
39243	A-35816-21	BR, N, SR, W	No Longer Avail.	39259	A-35800-20	BR, N, SG, W, SR	No Longer Avail.
39243	A-35816-22	BR, N, SG, W, SR	No Longer Avail.	39263	A-39264-1	N	Repl. by A-40684-1
39245	A-35814-15		No Longer Avail.	39263	A-39264		Use A-40684-1
39245	A-35814-16	N, W	No Longer Avail.	39263	B-39264-1	N	No Longer Avail.
39245	A-35814-17	SG, W, N	No Longer Avail.	39265	A-39266-1	N	No Longer Avail.
39245	A-35814-18	BR, N, SG, W, SR	No Longer Avail.	39265	A-39266		No Longer Avail.
39245	A-35814-19	BR, N, SR, W	Use A-35814-18	39275	A-35804-21		No Longer Avail.
39245	A-35814-20	N, SG, SR, W	Repl. by A-35814-18	39275	A-35804-22	N, W	No Longer Avail.
39247	A-35812-19		No Longer Avail.	39275	A-35804-23	N, SG, W	No Longer Avail.
39247	A-35812-20	N, W	No Longer Avail.	39275	A-35804-24	BR, N, SR, W	No Longer Avail.
39247	A-35812-21	N, SG, W	No Longer Avail.	39275	A-35804-25	BR, N, SG, W, SR	No Longer Avail.
39247	A-35812-22	BR, N, SR, W	No Longer Avail.	39297	A-39296-1	N	
39247	A-35812-23	BR, N, SG, W, SR	No Longer Avail.	39297	A-39296		
39249	A-35810-18		No Longer Avail.	39299	A-39298-1	N	
39249	A-35810-19	N, W	No Longer Avail.	39299	A-39298		
39249	A-35810-20	N, SG, W	No Longer Avail.	39301	A-39300-1	N	No Longer Avail.
39249	A-35810-21	BR, N, SG, W, SR	No Longer Avail.	39301	A-39300		No Longer Avail.
39249	A-35810-22	BR, N, SR, W	No Longer Avail.	39381	A-39382-1	MN	Repl. by A-39382-3
39249	A-35810-24	N, R, W		39381	A-39382		Use A-39382-3
39251	A-36446-14		No Longer Avail.	39393	A-38392-1	N	No Longer Avail.
39251	A-36446-15	N, W	No Longer Avail.	39393	A-38392		No Longer Avail.
39251	A-36446-16	N, SG, W	No Longer Avail.	39395	A-39396-1	MN	Repl. by A-39898-6
39251	A-36446-17	BR, N, SG, W	No Longer Avail.	39395	A-39396		Repl. by A-39898-6
39251	A-36446-18	BR, N, SR, W	No Longer Avail.	39397	A-39398-1	MN	No Longer Avail.
39253	A-35808-21		No Longer Avail.	39397	A-39398		No Longer Avail.
39253	A-35808-22	N, W	No Longer Avail.	39399	A-39400-1	N	No Longer Avail.
39253	A-35808-23	N, SG, W	No Longer Avail.	39401	A-39402-1	MN	No Longer Avail.
39253	A-35808-24	BR, N, SG, W, SR	No Longer Avail.	39401	A-39402		Repl. by A-40110-6
39253	A-35808-25	BR, N, SR, W	No Longer Avail.	39403	A-39404-1	MN	No Longer Avail.
39255	A-35806-20		No Longer Avail.	39403	A-39404		No Longer Avail.
39255	A-35806-21	N, W	No Longer Avail.	39415	A-37662-2		No Longer Avail.
39255	A-35806-22	N, SG, W	No Longer Avail.	39415	A-37662-3	BR, N, SR	No Longer Avail.
39255	A-35806-23	BR, N, SR, W	No Longer Avail.	39417X	A-36222-10	BR, N, SR	No Longer Avail.
39255	A-35806-24	BR, N, SG, W, SR	No Longer Avail.	39417X	A-36222-9		No Longer Avail.
39257	A-35802-16		No Longer Avail.	39419	A-39420-1	MN	Repl. by B-41026-4
39257	A-35802-17	N, W	No Longer Avail.	39419	A-39420		Repl. by B-41026-2
				39419	A-41026-1	N, W	Repl. by B-41026-4
				39423	A-36684-7		Repl. by A-40176-2
				39423	A-36684-8	BR, N, R, W	Repl. by A-40176-8
				39433	A-39424-1	N, W, SR	Repl. by A-41818-1

HARDWARE KEY

B - Bolt or Capscrew **BN** - Button **BR** - Bearing or Bearing Race **MN** - Metric Nut
N - Nut **Q** - Quill **R** - Retainer **RV** - Rivet
S - Shim **SG** - Spur Gear **SR** - Snap Ring or Lock Ring **W** - Washer

SPLINE SIZE KEY

T - Tapered **STR** - Straight

(1) Recommended fasteners, not included with gearset.

(gr) Ring gear

GEARSETS BY PINION NUMBER

Pinion	Gearset	Hardware Incl.	Remarks	Pinion	Gearset	Hardware Incl.	Remarks
39433	A-39424		Use A-41818-1	39493	A-41034-1	N, W	Repl. by B-41034-4
39435	A-39434-1	MN	Repl. by B-41028-4	39493	B-41034-1	N, W	Repl. by B-41034-3
39435	A-39434		Repl. by B-41028-2	39495	A-39494-1	MN	Repl. by B-41020-2
39435	A-41028-1	N, W	Repl. by B-41028-4	39495	A-39494		No Longer Avail.
39435	B-41028-1	N, W	Repl. by B-41028-3	39497	A-39496-1	MN	Repl. by A-39496-3
39437	A-39436-1	MN	Repl. by B-41030-4	39497	A-39496		Use A-39496-3
39437	A-39436		Repl. by B-41030-2	39499	A-39498-1	MN	Repl. by A-39498-3
39437	A-41030-1	N, W	Repl. by B-41030-4	39499	A-39498		Use A-39498-3
39437	B-41030-1	N, W	Repl. by B-41030-3	39501	A-39500-1	MN	Repl. by A-39500-3
39439	A-39438-1	MN	3200-W-1401 Carrier	39501	A-39500		Use A-39500-3
39439	A-39438		3200-W-1401 Carrier	39503	A-39502-1	MN	Repl. by A-39502-4
39441	A-39440-1	MN	3200-W-1401 Carrier	39503	A-39502		Use A-39502-4
39441	A-39440		3200-W-1401 Carrier	39507	A-39506-1	MN	Repl. by A-40116-6
39443	A-39442-1	MN	3200-W-1401 Carrier	39507	A-39506		Use A-40116-6
39443	A-39442		3200-W-1401 Carrier	39509	A-39508-1	MN	Repl. by B-41022-2
39445	A-39444-1	MN	3200-W-1401 Carrier	39509	A-39508		No Longer Avail.
39445	A-39444		3200-W-1401 Carrier	39511	A-39510-1	MN	Repl. by A-41024-4
39447	A-39446-1	N, SR	Repl. by A-41814-1	39511	A-39510		No Longer Avail.
39447	A-39446-2	BR, N, SR	Repl. by A-41814-2	39511	A-41024-1	N, W	Repl. by B-41024-4
39447	A-39446		Use A-41814-1	39511	B-41024-1	N, W	Repl. by B-41024-3
39449K2	A-39448-1	N, BR, SR		39525	A-39526-1	MN	No Longer Avail.
39449K2	A-39448		Use A-39448-1	39525	A-39526-9	MN, W	
39453	A-39452	N, W	No Longer Avail.	39525	A-39526		No Longer Avail.
39459	A-39460-1	MN	Repl. by A-39900-6	39531	A-39532-1	MN	Repl. by A-40104-6
39459	A-39460		Use A-39900-6	39531	A-39532		Use A-40104-6
39463	A-39464-1	MN	Repl. by A-39904-6	39629	A-39630-1	MN	Repl. by A-41494-1
39463	A-39464		Use A-39904-6	39629	A-39630		Use A-41494-1
39473	A-39474-1	MN	No Longer Avail.	39631	A-39630-3	N	No Longer Avail.
39473	A-39474		No Longer Avail.	39633	A-39632-1	MN	Repl. by A-41496-1
39475	A-39476-1	MN	No Longer Avail.	39633	A-39632		Use A-41496-1
39475	A-39476		No Longer Avail.	39635	A-39632-2		No Longer Avail.
39477	A-38954-2		Repl. by A-39906-5	39635	A-39632-3	MN	No Longer Avail.
39477	A-38954-3	MN	Repl. by A-39906-6	39637	A-39634-1	MN	Repl. by B-41530-1
39479	A-38956-1		No Longer Avail.	39637	A-39634		Use B-41530-1
39479	A-38956-2	MN	No Longer Avail.	39639	A-39634-2		Use A-41164-3
39481	A-39380-1		Repl. by A-40024-6	39639	A-39634-3	MN	Repl. by A-41164-3
39481	A-39380-2	MN	Repl. by A-40024-6	39645	A-39638-1	MN	Repl. by B-41534-1
39483	A-38960-2	N, W	No Longer Avail.	39645	A-39638		Use B-41534-1
39485	A-39122-1		No Longer Available	39647	A-39638-2		Use A-41500-3
39485	A-39122-2	MN	No Longer Avail.	39647	A-39638-3	MN	Repl. by A-41500-3
39487	A-39124-1		No Longer Avail.	39649	A-39640-1	MN	Repl. by B-41538-1
39487	A-39124-2	MN	No Longer Avail.	39649	A-39640		Use B-41538-1
39489	A-39392-1		No Longer Avail.	39651	A-39640-2		Use A-41504-3
39489	A-39392-2	MN	No Longer Avail.	39651	A-39640-3	MN	Repl. by A-41504-3
39491	A-39490-1	MN	Repl. by B-41032-4	39661	A-39646-1	MN	Repl. by B-41544-1
39491	A-39490		No Longer Avail.	39661	A-39646		Use B-41544-1
39491	A-41032-1	N, W	Repl. by B-41032-4	39663	A-39646-2		Use A-41270-3
39491	B-41032-1	N, W	Repl. by B-41032-3	39663	A-39646-3	MN	Repl. by A-41270-3
39493	A-39492-1	MN	Repl. by B-41034-4	39665	A-39648-1	MN	Repl. by B-41548-1
39493	A-39492		Use B-41034-4	39665	A-39648		Use B-41548-1

HARDWARE KEY

B - Bolt or Capscrew **BN** - Button **BR** - Bearing or Bearing Race **MN** - Metric Nut
N - Nut **Q** - Quill **R** - Retainer **RV** - Rivet
S - Shim **SG** - Spur Gear **SR** - Snap Ring or Lock Ring **W** - Washer

SPLINE SIZE KEY

T - Tapered **STR** - Straight

(1) Recommended fasteners, not included with gearset.

(gr) Ring gear

GEARSETS BY PINION NUMBER

Pinion	Gearset	Hardware Incl.	Remarks	Pinion	Gearset	Hardware Incl.	Remarks
39667	A-39648-2		Use A-41274-3	39725	A-39958-1	MN	
39667	A-39648-3	MN	Repl. by A-41274-3	39725	A-39958		
39669	A-39650-1	MN	Repl. by B-41554-1	39727	A-39962-1	MN	
39669	A-39650		Use B-41554-1	39727	A-39962		
39671	A-39650-2			39729	A-39964-1	MN	
39671	A-39650-3	MN		39729	A-39964		
39673	A-39652-1	MN	Repl. by B-41560-1	39731	A-39966-1	MN	No Longer Avail.
39673	A-39652		Use B-41560-1	39731	A-39966		No Longer Avail.
39675	A-39652-2		Use A-41464-3	39733	A-39968-1	MN	
39675	A-39652-3	MN	Repl. by A-41464-3	39733	A-39968		
39681	A-39728-1	MN		39735	A-39970-1	MN	
39681	A-39728			39735	A-39970		
39683	A-39730-1	MN		39737	A-39972-1	MN	No Longer Avail.
39683	A-39730			39737	A-39972		No Longer Avail.
39685	A-39732-1	MN		39739	A-39974-1	MN	
39685	A-39732			39739	A-39974		
39689	A-39734-1	MN		39753	A-39696-1	MN	
39689	A-39734			39753	A-39696		
39693	A-39738-1	MN		39755	A-39698-1	MN	
39693	A-39738			39755	A-39698		
39695	A-39740-1	MN		39757	A-39700-1	MN	
39695	A-39740			39757	A-39700		
39697	A-39742-1	MN		39759	A-39702-1	MN	
39697	A-39742			39759	A-39702		
39699	A-39768-1	MN		39761	A-39704-1	MN	
39699	A-39768			39761	A-39704		
39701	A-39770-1	MN		39763	A-39706-1	MN	
39701	A-39770			39763	A-39706		
39703	A-39772-1	MN		39765	A-39708-1	MN	No Longer Avail.
39703	A-39772			39765	A-39708		No Longer Avail.
39705	A-39774-1	MN	No Longer Avail.	39781	B-39668-1	N, S, W	
39705	A-39774		No Longer Avail.	39785	A-39784-1	MN	Repl. by B-41036-4
39707	A-39776-1	MN		39785	A-39784		Use B-41036-4
39707	A-39776			39785	A-41036-1	N, W	Repl. by B-41036-4
39709	A-39778-1	MN	No Longer Avail.	39785	B-41036-1	N, W	Repl. by B-41036-3
39709	A-39778		No Longer Avail.	39811	A-39812-1	MN	Repl. by A-41508-1
39711	A-39780-1	MN		39811	A-39812		Repl. by A-41508-1
39711	A-39780			39813	A-39814-1	MN	Repl. by A-41510-1
39713	A-39924-1	MN		39813	A-39814		Repl. by A-41510-1
39713	A-39924			39815	A-39816-1	MN	Repl. by B-41276-1
39715	A-39926-1	MN		39815	A-39816		Use B-41276-1
39715	A-39926			39819	A-39820-1	MN	Repl. by B-41514-1
39717	A-39928-1	MN		39819	A-39820		Use B-41514-1
39717	A-39928			39821	A-39822-1	MN	Repl. by B-41680-1
39719	A-39930-1	MN		39821	A-39822		Repl. by B-41680-1
39719	A-39930			39827	A-39828-1	MN	Repl. by B-41282-1
39721	A-39952-1	MN		39827	A-39828		Use B-41282-1
39721	A-39952			39829	A-39830-1	MN	Repl. by B-41284-1
39723	A-39956-1	MN		39829	A-39830		Use B-41284-1
39723	A-39956			39831	A-39832-1	MN	Repl. by A-41468-1

HARDWARE KEY

B - Bolt or Capscrew **BN** - Button **BR** - Bearing or Bearing Race **MN** - Metric Nut
N - Nut **Q** - Quill **R** - Retainer **RV** - Rivet
S - Shim **SG** - Spur Gear **SR** - Snap Ring or Lock Ring **W** - Washer

SPLINE SIZE KEY

T - Tapered **STR** - Straight

(1) Recommended fasteners, not included with gearset.

(gr) Ring gear

GEARSETS BY PINION NUMBER

Pinion	Gearset	Hardware Incl.	Remarks	Pinion	Gearset	Hardware Incl.	Remarks
39831	A-39832		Repl. by A-41468-1	39885	B-39880		
39833	A-39834-1	MN	Repl. by A-41474-1	39887	A-39852-1	MN	No Longer Avail.
39833	A-39834		Use A-41474-1	39887	A-39852		No Longer Avail.
39871	A-39654-1	MN		39887	A-39882-1	MN	
39871	A-39654			39887	A-39882-3	MN	
39871	A-39836-1	MN	Repl. by A-39654-1	39887	A-39882		
39871	A-39836		Use A-39654-1	39887	B-39882-1	MN	
39871	B-39654-1	MN		39887	B-39882		
39871	B-39654			39889	A-39664-1	MN	
39873	A-39656-1	MN		39889	A-39664-3	MN	
39873	A-39656		Repl. by B-39656	39889	A-39664		Repl. by B-39664
39873	A-39838-1	MN	Repl. by A-39656-1	39889	A-39854-1	MN	Repl. by A-39664-1
39873	A-39838		Use A-39656-1	39889	A-39854		Use A-39664-1
39873	B-39656-1	MN		39889	B-39664-1	MN	
39873	B-39656			39889	B-39664		
39875	A-39658-1	MN		39893	A-39666-1	MN	
39875	A-39658			39893	A-39666		Repl. by B-39666
39875	A-39840-1	MN	Repl. by A-39658-1	39893	A-39858-1	MN	Repl. by A-39666-1
39875	A-39840		Use A-39658-1	39893	A-39858		Use A-39666-1
39875	B-39658-1	MN		39893	B-39666-1	MN	
39875	B-39658			39893	B-39666		
39877	A-39660-1	MN		39895	A-39672-1	MN	
39877	A-39660			39895	A-39672		
39877	A-39842-1	MN	Repl. by A-39660-1	39895	A-39860-1	MN	Repl. by A-39672-1
39877	A-39842		Use A-39660-1	39895	A-39860		Use A-39672-1
39877	B-39660-1	MN		39895	B-39672-1	MN	
39877	B-39660			39895	B-39672		
39879	A-39662-1	MN		39899	A-39674-1	MN	
39879	A-39662			39899	A-39674		
39879	A-39844-1	MN	Repl. by A-39662-1	39899	A-39864-1	MN	Repl. by A-39674-1
39879	A-39844		Use A-39662-1	39899	A-39864		Use A-39674-1
39879	B-39662-1	MN		39899	B-39674-1	MN	
39879	B-39662			39899	B-39674		
39881	A-39846-1	MN	Repl. by A-398976-1	39901	A-39866-1	MN	Repl. by A-41064-1
39881	A-39846		Use A-39876-1	39901	A-39866		Use A-41064-1
39881	A-39876-1	MN		39901	A-39894-1	N	Repl. by B-41064-1
39881	A-39876			39901	A-41064-1	MN	
39881	B-39876-1	MN		39901	A-41064		
39881	B-39876			39901	B-41064-1	MN	
39883	A-39848-1	MN	No Longer Avail.	39901	B-41064		
39883	A-39848		No Longer Avail.	39903	A-39868-1	MN	Repl. by A-39896-1
39883	A-39878-1	MN		39903	A-39868		Use A-39896-1
39883	A-39878			39903	A-39896-1	MN, W	
39883	B-39878-1	MN		39903	A-39896		
39883	B-39878			39903	B-39896-1	MN, W	
39885	A-39850-1	MN	No Longer Avail.	39903	B-39896		
39885	A-39850		No Longer Avail.	39909	A-39910-1	MN, W	Repl. by A-41682-1
39885	A-39880-1	MN		39909	A-39910		Repl. by A-41682
39885	A-39880			39927	A-39726-1	MN	
39885	B-39880-1	MN		39927	A-39726		

HARDWARE KEY

B - Bolt or Capscrew	BN - Button	BR - Bearing or Bearing Race	MN - Metric Nut
N - Nut	Q - Quill	R - Retainer	RV - Rivet
S - Shim	SG - Spur Gear	SR - Snap Ring or Lock Ring	W - Washer

SPLINE SIZE KEY

T - Tapered **STR** - Straight

(1) Recommended fasteners, not included with gearset.

(gr) Ring gear

GEARSETS BY PINION NUMBER

Pinion	Gearset	Hardware Incl.	Remarks	Pinion	Gearset	Hardware Incl.	Remarks
39931	A-39954-1	MN		40135	A-40138-1	MN	Repl. by B-41552-1
39931	A-39954			40135	A-40138		Use B-41552-1
39933	A-39960-1	MN	No Longer Avail.	40147	A-40036-4		Repl. by A-42920-2
39933	A-39960		No Longer Avail.	40147	A-40036-5	N	
39935	A-39744-1	MN		40149	A-40046-2		
39935	A-39744			40149	A-40046-3	N	
39937	A-39746-1	MN		40151	A-40156-2		Use A-41460-3
39937	A-39746			40151	A-40156-3	MN	Repl. by A-41460-3
39939	A-39766-1	MN		40153	A-40156-1	MN	Repl. by B-41556-1
39939	A-39766			40153	A-40156		Use B-41556-1
39989	A-39982-1		Repl. by A-39996-1	40169	A-40174-2		Use A-41462-3
39989	A-39982	N	Repl. by A-39996-1	40169	A-40174-3	MN	Repl. by A-41462-3
39991	A-39996-1	N	No Longer Avail.	40171	A-40174-1	MN	Repl. by B-41558-1
39991	A-39996	N	No Longer Avail.	40171	A-40174		Use B-41558-1
39999	A-40012-1	MN		40229	A-39398-2		Repl. by A-39902-6
39999	A-40012			40229	A-39398-3	MN	Repl. by A-39902-6
40001	A-40014-1	MN		40229	A-39902-1	MN	Repl. by A-39902-6
40001	A-40014			40229	A-39902		Repl. by A-39902-4
40003	A-40016-1	MN		40231	A-38954-4		Use A-39906-6
40003	A-40016			40231	A-38954-5	MN	Repl. by A-39906-6
40025	A-40030-2		Use A-41498-3	40231	A-39906-1	MN	Repl. by A-39906-6
40025	A-40030-3	MN	Repl. by A-41498-3	40231	A-39906		Repl. by A-39906-4
40027	A-40030-1	MN	Repl. by B-41532-1	40233	A-38956-3		No Longer Avail.
40027	A-40030		Use B-41532-1	40233	A-38956-4	MN	No Longer Avail.
40041	A-40088-1	N		40233	A-39888-1	MN	No Longer Avail.
40041	A-40088		Repl. by A-40088-1	40233	A-39888		Repl. by A-39888-4
40043	A-40048-2		Repl. by A-41684-3	40235	A-39380-3		Repl. by A-40024-6
40043	A-40048-3	MN	Repl. by A-41684-3	40235	A-39380-4	MN	Repl. by A-40024-6
40045	A-40048-1	MN	Repl. by B-41536-1	40235	A-40024-1	MN	Repl. by A-40024-6
40045	A-40048		Use B-41536-1	40235	A-40024		Repl. by A-40024-4
40057	A-40074-1	N		40235	A-40326-1	N	No Longer Avail.
40057	A-40074	N	Repl. by A-40074-1	40239	A-39392-3		Use A-40106-1
40061	A-40066-2		Use A-41266-3	40239	A-39392-4	MN	Repl. by A-40106-6
40061	A-40066-3	MN	Repl. by A-41266-3	40239	A-40106-1	MN	Repl. by A-40106-6
40063	A-40066-1	MN	Repl. by B-41540-1	40239	A-40106		Repl. by A-40106-4
40063	A-40066		Use B-41540-1	40241	A-39402-2		No Longer Avail.
40079	A-40084-2		Repl. by B-41542-3	40241	A-39402-3	MN	Repl. by A-40110-6
40079	A-40084-3	N	Repl. by B-41542-3	40241	A-40110-1	MN	Repl. by A-40110-6
40081	A-40084-1	MN	Repl. by B-41542-1	40241	A-40110		Repl. by A-40110-4
40081	A-40084		Use B-41542-1	40243	A-39474-2		Repl. by A-41066-2
40097	A-40102-2		No Longer Avail.	40243	A-39474-3	MN	Repl. by A-41066-2
40097	A-40102-3	MN	No Longer Avail.	40243	A-40118-1	MN	Repl. by A-41066-1
40099	A-40102-1	MN	Repl. by B-41546-1	40243	A-40118		Repl. by A-41066
40099	A-40102		Use B-41546-1	40245	A-39122-3		No Longer Avail.
40115	A-40120-2		Use A-41304-3	40245	A-39122-4	MN	No Longer Avail.
40115	A-40120-3	MN	Repl. by A-41304-3	40245	A-39884-1	MN	No Longer Avail.
40117	A-40120-1	MN	Repl. by B-41550-1	40245	A-39884		Repl. by A-39884-4
40117	A-40120		Use B-41550-1	40247	A-39124-3		No Longer Avail.
40133	A-40138-2		Use A-41456-3	40247	A-39124-4	MN	No Longer Avail.
40133	A-40138-3	MN	Repl. by A-41456-3	40247	A-39886-1	MN	No Longer Avail.

HARDWARE KEY

B - Bolt or Capscrew **BN** - Button **BR** - Bearing or Bearing Race **MN** - Metric Nut
N - Nut **Q** - Quill **R** - Retainer **RV** - Rivet
S - Shim **SG** - Spur Gear **SR** - Snap Ring or Lock Ring **W** - Washer

SPLINE SIZE KEY

T - Tapered **STR** - Straight

(1) Recommended fasteners, not included with gearset.

(gr) Ring gear

GEARSETS BY PINION NUMBER

Pinion	Gearset	Hardware Incl.	Remarks	Pinion	Gearset	Hardware Incl.	Remarks
40247	A-39886		Repl. by A-39886-4	40351	A-40352		Use A-40352-4
40251	A-39476-2		Use A-40122-6	40351	B-40352-1	N	
40251	A-39476-3	MN	Repl. by A-40122-6	40351	B-40352		
40251	A-40122-1	MN	Repl. by A-40122-6	40353	A-40354-1	N	Repl. by A-40354-4
40251	A-40122		Use A-40122-6	40353	A-40354		Use A-40354-4
40253	A-39396-2		Repl. by A-39898-6	40353	B-40354-1	N	Repl. by B-40354-4
40253	A-39396-3	MN	Repl. by A-39898-6	40353	B-40354		Repl. by B-40354-2
40253	A-39898-1	MN	Repl. by A-39898-6	40355	A-40356-1	N	Repl. by A-40356-4
40253	A-39898		Repl. by A-39898-4	40355	A-40356		Use A-40356-4
40255	A-39506-2		Use A-40116-6	40355	B-40356-1	N	Repl. by B-40356-4
40255	A-39506-3		Repl. by A-40116-6	40355	B-40356		Repl. by B-40356-2
40255	A-40116-1	MN	Repl. by A-40116-6	40357	A-40358-1	N	Repl. by A-40358-4
40255	A-40116		Repl. by A-40116-4	40357	A-40358		Use A-40358-4
40257	A-39460-2		Use A-39900-6	40359	A-40360-1	N	Repl. by A-40360-4
40257	A-39460-3	MN	Repl. by A-39900-6	40359	A-40360		Use A-40360-4
40257	A-39900-1	MN	Repl. by A-39900-6	40359	B-40360-1	N	Repl. by B-40360-4
40257	A-39900		Repl. by A-39900-4	40361	A-40362-1	N	Repl. by A-40362-4
40259	A-39464-2		Use A-39904-6	40361	A-40362		Use A-40362-4
40259	A-39464-3	MN	Repl. by A-39904-6	40361	B-40362-1	N	Repl. by B-40362-4
40259	A-39904-1	MN	Repl. by A-39904-6	40363	A-40364-1	N	Repl. by A-40364-4
40259	A-39904		Repl. by A-39904-4	40363	A-40364		Use A-40364-4
40261	A-39526-2		No Longer Avail.	40363	B-40364-1	N	Repl. by B-40364-4
40261	A-39526-3	MN	No Longer Avail.	40363	B-40364		Repl. by B-40364-2
40261	A-39890-1	MN	No Longer Avail.	40365	A-40366-1	N	Repl. by A-40366-4
40261	A-39890		Repl. by A-39890-4	40365	A-40366		Use A-40366-4
40263	A-39532-2		Use A-40104-6	40365	B-40366-1	N	Repl. by B-40366-4
40263	A-39532-3	N	Repl. by B-40104-6	40365	B-40366		Repl. by B-40366-2
40263	A-39532-4	MN	Repl. by A-40104-6	40367	A-40368-1	N	Repl. by A-40368-4
40263	A-40104-1	MN	Repl. by A-40104-6	40367	A-40368		Use A-40368-4
40263	A-40104		Repl. by A-40104-4	40367	B-40368-1	N	Repl. by B-40368-4
40287	A-40288-1	MN	Repl. by B-41512-1	40371	A-40370-1	BR, SR	
40287	A-40288		Use B-41512-1	40371	A-40370		
40289	A-40290-1	MN	Repl. by B-41516-1	40373	A-39892-1	MN, W	
40289	A-40290		Use B-41516-1	40373	A-39892		
40291	A-40292-1	MN, W	Repl. by B-41278-1	40373	A-40372-1	MN	Repl. by A-39892-1
40291	A-40292		Use B-41278-1	40373	A-40372		Use A-39892-1
40293	A-40294-1	MN	Repl. by B-41562-1	40373	B-39892-1	MN, W	
40293	A-40294		Use B-41562-1	40373	B-39892		
40299	A-40300-1	MN	Repl. by B-41466-1	40409	A-38798-5	N	Repl. by A-40036-5
40299	A-40300		Use B-41466-1	40411	A-40370-2		No Longer Avail.
40301	A-40302-1	MN	Repl. by A-41470-1	40411	A-40370-3	BR, N, SR	No Longer Avail.
40301	A-40302		Repl. by A-41470	40413	A-40370-4		No Longer Avail.
40303	A-40304-1	MN	Repl. by A-41472-1	40413	A-40370-5	BR, N, SR	No Longer Avail.
40303	A-40304		Repl. by A-41472	40531	A-40498-6		
40323	A-40324-1	N	Repl. by B-40364-4	40531	A-40498-7	BR, SR	
40323	A-40324		No Longer Avail.	40533	A-40498-4		
40325	A-40326		No Longer Avail.	40533	A-40498-5	BR, N, SR	
40327	A-40322-1	N	No Longer Avail.	40535	A-40498-2		
40327	A-40322		No Longer Avail.	40535	A-40498-3	BR, N, SR	
40351	A-40352-1	N	Repl. by A-40352-4	40537	A-40500-1	BR, SR	

HARDWARE KEY

B - Bolt or Capscrew **BN** - Button **BR** - Bearing or Bearing Race **MN** - Metric Nut
N - Nut **Q** - Quill **R** - Retainer **RV** - Rivet
S - Shim **SG** - Spur Gear **SR** - Snap Ring or Lock Ring **W** - Washer

SPLINE SIZE KEY

T - Tapered **STR** - Straight

(1) Recommended fasteners, not included with gearset.

(gr) Ring gear

GEARSETS BY PINION NUMBER

Pinion	Gearset	Hardware Incl.	Remarks	Pinion	Gearset	Hardware Incl.	Remarks
40537	A-40500			40993	A-40536-4	BR, SR, R, N	
40539	A-40538-1	N	No Longer Avail.	40993	A-40536		Repl. by A-40822
40539	A-40538		No Longer Avail.	40995	A-40542		Repl. by A-40808
40543	A-40498-1	BR, SR	No Longer Avail.	40997	A-40544		Repl. by A-40810
40543	A-40498		No Longer Avail.	40999	A-40546-1	N	
40755	A-40754-1	N		40999	A-40546-4	BR, N, R, W	
40755	A-40754-5	N	No Longer Avail.	40999	A-40546		Repl. by A-42922
40755	A-40754			41001	A-40674		Repl. by A-40824
40791	A-40036-1	N		41003	A-40676-1	N	
40791	A-40036		Repl. by A-42920-1	41003	A-40676-4	BR, N, R, W	No Longer Avail.
40799	A-40046-1	N		41003	A-40676		No Longer Avail.
40799	A-40046			41005	A-40678		Repl. by A-40828
40941	A-40942-1	N		41007	A-40680-1	N	
40941	A-40942		No Longer Avail.	41007	A-40680-2	BR, N, R, W	Repl. by A-40680-4
40945	A-40944-1	W	Repl. by A-38714-1	41007	A-40680-4	BR, N, R, W	
40945	A-40944		Repl. by A-38714	41007	A-40680		Repl. by A-42926
40949	A-40504-4			41009	A-40682-1	N	
40949	A-40504-5	N	No Longer Avail.	41009	A-40682-2	BR, N, R, W	
40951	A-40534-2			41009	A-40682-4	BR, N, R, W	Repl. by A-40682-2
40951	A-40534-3	N		41009	A-40682		
40953	A-40536-2		No Longer Avail.	41011	A-40158-1	N	No Longer Avail.
40953	A-40536-3	N	No Longer Avail.	41011	A-40158		No Longer Avail.
40955	A-40542-2		No Longer Avail.	41013	A-40160-2		No Longer Avail.
40955	A-40542-3	N	No Longer Avail.	41013	A-40160-3	N	No Longer Avail.
40957	A-40544-2		No Longer Avail.	41015	A-40164-4		
40957	A-40544-3	N	No Longer Avail.	41015	A-40164-5	N	
40959	A-40546-2		No Longer Avail.	41017	A-40172-4		No Longer Avail.
40959	A-40546-3	N	No Longer Avail.	41017	A-40172-5	N	No Longer Avail.
40961	A-40674-3		No Longer Avail.	41019	A-40176-2		No Longer Avail.
40961	A-40674-6	N	No Longer Avail.	41019	A-40176-3	N	No Longer Avail.
40963	A-40676-2		No Longer Avail.	41019	A-40176-8	SR, R, N, BR	No Longer Avail.
40963	A-40676-3	N	No Longer Avail.	41021	A-40178-10	N, BR, SR, R	
40965	A-40678-2		No Longer Avail.	41021	A-40178-4		
40965	A-40678-3	N	No Longer Avail.	41021	A-40178-5	N	
40965	A-40678-5	BR, N, R, W	No Longer Avail.	41023	A-40182-2		
40967	A-40682-3		No Longer Avail.	41023	A-40182-3	N	
40967	A-40682-5	N	No Longer Avail.	41023	A-40182-6	BR, N, R, W	No Longer Avail.
40967	A-40682-6	BR, N, R, W	No Longer Avail.	41025	A-40306-4		No Longer Avail.
40969	A-40160-4		No Longer Avail.	41025	A-40306-5	N	No Longer Avail.
40969	A-40160-5	N		41025	A-40306-8	N, SR, R	No Longer Avail.
40977	A-40176-4		No Longer Avail.	41027	A-40502-4		No Longer Avail.
40977	A-40176-9	BR, SR, R	No Longer Avail.	41027	A-40502-5	N	No Longer Avail.
40983	A-40182-4		No Longer Avail.	41027	A-40502-8	BR, N, R, W	No Longer Avail.
40983	A-40182-5	N	No Longer Avail.	41029	A-40162-2		No Longer Avail.
40983	A-40182-7	N, BR, SR, R	No Longer Avail.	41029	A-40162-3	N, BN	No Longer Avail.
40989	A-40504-1	N	No Longer Avail.	41031	A-40164-2		No Longer Avail.
40989	A-40504-2	BR, N, R, W		41031	A-40164-3	N	No Longer Avail.
40989	A-40504		Repl. by A-40820	41033	A-40172-2		Repl. by A-40172-1
40991	A-40534-1	N		41033	A-40172-3	N	No Longer Avail.
40991	A-40534			41035	A-40178-2		No Longer Avail.

HARDWARE KEY

B - Bolt or Capscrew **BN** - Button **BR** - Bearing or Bearing Race **MN** - Metric Nut
N - Nut **Q** - Quill **R** - Retainer **RV** - Rivet
S - Shim **SG** - Spur Gear **SR** - Snap Ring or Lock Ring **W** - Washer

SPLINE SIZE KEY

T - Tapered **STR** - Straight

(1) Recommended fasteners, not included with gearset.

(gr) Ring gear

GEARSETS BY PINION NUMBER

Pinion	Gearset	Hardware Incl.	Remarks	Pinion	Gearset	Hardware Incl.	Remarks
41035	A-40178-3	N	No Longer Avail.	41155	B-41020		
41037	A-40306-2		Repl. by A-40306-3	41157	A-41022-1	N, W	Repl. by B-41022-1
41037	A-40306-3	N, BN	No Longer Avail.	41157	A-41022-2	N, W, BR, S	Repl. by B-41022-2
41039	A-40502-2		Repl. by A-40502-1	41157	B-41022-1	MN, W	
41039	A-40502-3	N	No Longer Avail.	41157	B-41022-2	MN, BR, SR, W	
41043	A-40162-1	N		41157	B-41022		
41043	A-40162			41165	A-40736-1	N	
41045	A-40164		Repl. by A-40832	41165	A-40736-2	N, BR, R, SR	
41047	A-40170		Repl. by A-40814	41267	A-39898-4		
41049	A-40172		Repl. by A-40816	41267	A-39898-5	MN, W	
41051	A-40176		Repl. by A-40818	41267	A-39898-6	MN, W, SR, BR	
41053	A-40178		Repl. by A-40834	41267	B-39898-4		
41055	A-40180-1	N	No Longer Avail.	41267	B-39898-5	MN, W	
41055	A-40180		No Longer Avail.	41267	B-39898-6	MN, W, SR, BR	
41057	A-40182		Repl. by A-40838	41269	A-39900-4		
41059	A-40306-1	N		41269	A-39900-5	MN, W	
41059	A-40306			41269	A-39900-6	MN, W, SR, BR	
41061	A-40502-1	N		41269	B-39900-4		
41061	A-40502			41269	B-39900-5	MN, W	
41069	A-40158-2		No Longer Avail.	41269	B-39900-6	MN, W, SR, BR	
41069	A-40158-3	N	No Longer Avail.	41269	A-39902-4		
41071	A-40160-6		No Longer Avail.	41271	A-39902-5	MN, W	
41071	A-40160-7	N	No Longer Avail.	41271	A-39902-6	MN, W, SR, BR	
41071	B-40160-7	N	No Longer Avail.	41271	B-39902-4		
41073	A-40164-8		No Longer Avail.	41271	B-39902-5	MN, W	
41073	A-40164-9	N	No Longer Avail.	41271	B-39902-6	MN, W, SR, BR	
41075	A-40172-8			41273	A-39904-4		
41077	A-40176-6		No Longer Avail.	41273	A-39904-5	MN, W	
41077	A-40176-7	N	No Longer Avail.	41273	A-39904-6	MN, W, SR, BR	
41079	A-40178-8			41273	B-39904-4		
41083	A-40684-1	N	Repl. by B-39264-1	41273	B-39904-5	MN, W	
41083	A-40684		Repl. by B-39264	41273	B-39904-6	MN, W, SR, BR	
41085	A-40686-1	N	Repl. by A-38414-1	41275	A-39906-4		
41085	A-40686		Repl. by A-38414	41275	A-39906-5	MN, W	
41143	A-40702-1	N, W	No Longer Avail.	41275	A-39906-6	MN, W, SR, BR	
41149	A-40726-1	N	No Longer Avail.	41275	B-39906-4		
41153	A-38796-3	MN, W	Repl. by B-41002	41275	B-39906-5	MN, W	
41153	A-38796-4		Repl. by B-41002-1	41275	B-39906-6	MN, W, SR, BR	
41153	A-41002-1	N, W	Repl. by B-41002-1	41277	A-39884-4		
41153	A-41002-2	N, BR, S, W	Repl. by B-41002-2				
41153	B-41002-1	MN, W					
41153	B-41002-2	MN, BR, SR, W					
41153	B-41002						
41155	A-39494-7	N, W	Repl. by B-41020-1				
41155	A-41020-1	N, W	Repl. by B-41020-1				
41155	A-41020-2	N, W, BR, S	Repl. by B-41020-2				
41155	B-41020-1	MN, W					
41155	B-41020-2	MN, BR, SR, W					

HARDWARE KEY

B - Bolt or Capscrew **BN** - Button **BR** - Bearing or Bearing Race **MN** - Metric Nut
N - Nut **Q** - Quill **R** - Retainer **RV** - Rivet
S - Shim **SG** - Spur Gear **SR** - Snap Ring or Lock Ring **W** - Washer

SPLINE SIZE KEY

T - Tapered **STR** - Straight

(1) Recommended fasteners, not included with gearset.

(gr) Ring gear

GEARSETS BY PINION NUMBER

Pinion	Gearset	Hardware Incl.	Remarks	Pinion	Gearset	Hardware Incl.	Remarks
41277	A-39884-5	MN, W		41289	A-40106-5	MN, W	
41277	A-39884-6	MN, W, SR, BR		41289	A-40106-6	MN, W, SR, BR	
41277	B-39884-4			41289	B-40106-4		
41277	B-39884-5	MN, W		41289	B-40106-5	MN, W	
41277	B-39884-6	MN, W, SR, BR		41289	B-40106-6	MN, W, SR, BR	
41279	A-39886-4			41291	A-40110-4		
41279	A-39886-5	MN, W		41291	A-40110-5	MN, W	
41279	A-39886-6	MN, W, SR, BR		41291	A-40110-6	MN, W, SR, BR	
41279	B-39886-4			41291	B-40110-4		
41279	B-39886-5	MN, W		41291	B-40110-5	MN, W	
41279	B-39886-6	MN, W, SR, BR		41291	B-40110-6	MN, W, SR, BR	
41281	A-39888-4			41293	A-40116-4		
41281	A-39888-5	MN, W		41293	A-40116-5	MN, W	
41281	A-39888-6	MN, W, SR, BR		41293	A-40116-6	MN, W, SR, BR	
41281	B-39888-4			41293	B-40116-4		
41281	B-39888-5	MN, W		41293	B-40116-5	MN, W	
41281	B-39888-6	MN, W, SR, BR		41293	B-40116-6	MN, W, SR, BR	
41283	A-39890-4			41295	A-40118-5	N, W	Repl. by B-41066-1
41283	A-39890-5	MN, W		41295	A-40118-6	N, W, BR, S	Repl. by B-41066-2
41283	A-39890-6	MN, W, SR, BR		41295	A-41066-1	MN, W	
41283	A-39890-7		No Longer Avail.	41295	A-41066-2	MN, W, SR, BR	
41283	A-39890-8	MN, W	No Longer Avail.	41295	A-41066		
41283	B-39890-4			41295	B-41066-1	MN, W	
41283	B-39890-5	MN, W		41295	B-41066-2	BR, LR, MN, W	
41283	B-39890-6	MN, W, SR, BR		41297	A-40122-4		
41285	A-40024-4			41297	A-40122-5	MN, W	
41285	A-40024-5	MN, W		41297	A-40122-6	MN, W, BR, SR	
41285	A-40024-6	MN, W, SR, BR		41297	B-40122-4		
41285	B-40024-4			41297	B-40122-5	MN, W	
41285	B-40024-5	MN, W		41297	B-40122-6	MN, W, BR, SR	
41285	B-40024-6	MN, W, SR, BR		41299	A-41040-1	N, W	Repl. by A-41158-1
41287	A-40104-4			41301	A-40680-3		No Longer Avail.
41287	A-40104-5	MN, W		41301	A-40680-6	N	No Longer Avail.
41287	A-40104-6	MN, W, SR, BR		41301	A-40680-7	BR, N, R, W	No Longer Avail.
41287	B-40104-4			41303	B-40780-1	N	No Longer Avail.
41287	B-40104-5	MN, W		41303	B-40780		No Longer Avail.
41287	B-40104-6	MN, W, SR, BR		41305	A-40182-8		No Longer Avail.
41289	A-40106-4			41305	A-40182-9	N, BN	No Longer Avail.
				41343	A-41342-1	MN, W	
				41407	A-40538-2		No Longer Avail.

HARDWARE KEY

B - Bolt or Capscrew	BN - Button	BR - Bearing or Bearing Race	MN - Metric Nut
N - Nut	Q - Quill	R - Retainer	RV - Rivet
S - Shim	SG - Spur Gear	SR - Snap Ring or Lock Ring	W - Washer

SPLINE SIZE KEY

T - Tapered **STR** - Straight

(1) Recommended fasteners, not included with gearset.

(gr) Ring gear

GEARSETS BY PINION NUMBER

Pinion	Gearset	Hardware Incl.	Remarks	Pinion	Gearset	Hardware Incl.	Remarks
41407	A-40538-3	N	No Longer Avail.	41451	A-40358-3	N	Repl. by B-40358-3
41409	A-40754-2		No Longer Avail.	41451	A-40358-4	N, BR, SR	Repl. by B-40358-4
41409	A-40754-3	N	No Longer Avail.	41451	B-40358-1	N	Repl. by B-40358-4
41409	A-40754-3	N	No Longer Avail.	41451	B-40358-2		
41411	A-39812-2		Repl. by A-41508-1	41451	B-40358-3	N	
41411	A-39812-3	MN, W	Repl. by A-41508-1	41451	B-40358-4	N, BR, SR	
41413	A-39814-2		Repl. by A-41510-1	41453	A-40360-2		Repl. by B-40360-2
41413	A-39814-3	MN, W	Repl. by A-41510-1	41453	A-40360-3	N	Repl. by B-40360-3
41415	A-39816-2		Use B-41276-1	41453	A-40360-4	N, BR, SR	Repl. by B-40360-4
41415	A-39816-3	MN, W	Repl. by B-41276-1	41453	B-40360-2		
41417	A-40288-3	N, W	Repl. by B-41512-1	41453	B-40360-3	N	
41419	A-39820-2		Use B-41514-1	41453	B-40360-4	N, BR, SR	
41419	A-39820-3	MN, W	Repl. by B-41514-1	41455	A-40362-2		Repl. by B-40362-2
41421	A-40290-3	N, W	Repl. by B-41678-1	41455	A-40362-3	N	Repl. by B-40362-3
41423	A-39822-2		Repl. by B-41680-1	41455	A-40362-4	N, BR, SR	Repl. by B-40362-4
41423	A-39822-3	MN, W	Repl. by B-41680-1	41455	B-40362-2		
41425	A-40292-3	N, W	Repl. by B-41278-1	41455	B-40362-3	N	
41427	A-40294-3	N, W	Repl. by B-41562-1	41455	B-40362-4	N, BR, SR	
41429	A-39828-2		Use B-41282-1	41457	A-40364-2		Repl. by B-40364-2
41429	A-39828-3	MN, W	Repl. by B-41282-1	41457	A-40364-3	N	Repl. by B-40364-3
41431	A-39830-2		Use B-41284-1	41457	A-40364-4	N, BR, SR	Repl. by B-40364-4
41431	A-39830-3	MN, W	Repl. by B-41284-1	41457	B-40364-2		
41433	A-40300-3	N, W	Repl. by B-41466-1	41457	B-40364-3	N	
41435	A-39832-2		Repl. by A-41468-1	41457	B-40364-4	N, BR, SR	
41435	A-39832-3	MN, W	Repl. by A-41468-1	41459	A-40542-1	N	
41437	A-40302-3	N, W	Repl. by A-41470-1	41461	A-40544-1	N	
41439	A-40304-2		Repl. by A-41472	41461	A-40544-4	BR, N, R, W	
41439	A-40304-3	MN	Repl. by A-41472-1	41465	A-40170-1	N	
41441	A-39834-3	N, W	Repl. by A-41474-1	41467	A-40172-1	N	
41443	A-40804-1	N		41469	A-40176-1	N	
41443	A-40804			41477	A-40366-2		Repl. by B-40366-2
41445	A-40352-2		Repl. by B-40352-2	41477	A-40366-3	N	Repl. by B-40366-3
41445	A-40352-3	N	Repl. by B-40352-3	41477	A-40366-4	N, BR, SR	Repl. by B-40366-4
41445	A-40352-4	N, BR, SR	Repl. by B-40352-4	41477	A-40998-1	N	No Longer Avail.
41445	B-40352-2			41477	A-40998-2	N, BR, SR	No Longer Avail.
41445	B-40352-3	N		41477	A-40998		No Longer Avail.
41445	B-40352-4	N, BR, SR		41477	B-40366-2		
41447	A-40354-2		Repl. by B-40354-2	41477	B-40366-3	N	
41447	A-40354-3	N	Repl. by B-40354-3	41477	B-40366-4	N, BR, SR	
41447	A-40354-4	N, BR, SR	Repl. by B-40354-4	41479	A-40368-2		Repl. by B-40368-2
41447	B-40354-2			41479	A-40368-3	N	Repl. by B-40368-3
41447	B-40354-3	N		41479	A-40368-4	N, BR, SR	Repl. by B-40368-4
41447	B-40354-4	N, BR, SR		41479	B-40368-2		
41449	A-40356-2		Repl. by B-40356-2	41479	B-40368-3	N	
41449	A-40356-3	N	Repl. by B-40356-3	41479	B-40368-4	N, BR, SR	
41449	A-40356-4	N, BR, SR	Repl. by B-40356-4	41483	A-40536-1	N	
41449	B-40356-2			41485	A-40674-1	N	
41449	B-40356-3	N		41485	A-40674-2	BR, N, R, W	No Longer Avail.
41449	B-40356-4	N, BR, SR		41485	A-40674-4	BR, N, R, W	
41451	A-40358-2		Repl. by B-40358-2	41485	A-40674-5	BR, N, R, W	

HARDWARE KEY

B - Bolt or Capscrew **BN** - Button **BR** - Bearing or Bearing Race **MN** - Metric Nut
N - Nut **Q** - Quill **R** - Retainer **RV** - Rivet
S - Shim **SG** - Spur Gear **SR** - Snap Ring or Lock Ring **W** - Washer

SPLINE SIZE KEY

T - Tapered **STR** - Straight

(1) Recommended fasteners, not included with gearset.

(gr) Ring gear

GEARSETS BY PINION NUMBER

Pinion	Gearset	Hardware Incl.	Remarks	Pinion	Gearset	Hardware Incl.	Remarks
41489	A-40678-1	N		41539	B-41018-3	MN, W	
41489	A-40678-4	BR, N		41539	B-41018-4	MN, BR, SR, W	
41493	A-40164-1	N		41541	A-40634-1	MN, W	
41495	A-40178-1	N		41541	A-41014-3	N, W	Repl. by B-41014-3
41499	A-40182-1	N		41541	B-41014-2		
41508	A-41502-2		Repl. by A-41684-2	41541	B-41014-3	MN, W	
41508	A-41502-3	MN, W	Repl. by A-41684-3	41541	B-41014-4	MN, BR, SR, W	
41527	A-40990-3	N, W	Repl. by B-41806-1	41543	A-41008-3	N, W	Repl. by B-41008-3
41527	A-40990-4	N, BR, S	No Longer Avail.	41543	A-41008-4	N, BR, S	Repl. by B-41008-4
41527	B-40990-2		Repl. by B-41806-1	41543	B-41008-2		
41527	B-40990-3	MN, W	Repl. by B-41806-1	41543	B-41008-3	MN, W	
41527	B-40990-4	MN, BR, SR, W	Repl. by B-41806-1	41543	B-41008-4	MN, BR, SR, W	
41529	A-41026-3	N, W	Repl. by B-41026-3	41545	A-41034-3	N, W	Repl. by B-41034-3
41529	A-41026-4	N, W, BR, S	Repl. by B-41026-4	41545	A-41034-4	N, W, BR, S	Repl. by B-41034-4
41529	B-41026-1	N, W	Repl. by B-41026-3	41545	B-41034-2		
41529	B-41026-2			41545	B-41034-3	MN, W	
41529	B-41026-3	MN, W		41545	B-41034-4	MN, BR, SR, W	
41529	B-41026-4	MN, BR, SR, W		41547	A-41010-4	N, W, BR, S	Repl. by B-41010-4
41531	A-41004-3	N, W	Repl. by B-41004-3	41547	B-41010-2		
41531	A-41004-4	N, BR, S, W	Repl. by B-41004-4	41547	B-41010-3	MN, W	
41531	B-41004-2			41547	B-41010-4	MN, BR, SR, W	
41531	B-41004-3	MN, W		41549	A-41028-3	N, W	Repl. by B-41028-3
41531	B-41004-4	MN, BR, SR, W		41549	A-41028-4	N, W, BR, S	Repl. by B-41028-4
41533	A-41030-3	N, W	Repl. by B-41030-3	41549	B-41028-2		
41533	A-41030-4	N, W, BR, S	Repl. by B-41030-4	41549	B-41028-3	MN, W	
41533	B-41030-2			41549	B-41028-4	MN, BR, SR, W	
41533	B-41030-3	MN, W		41551	A-41032-3	N, W	Repl. by B-41032-3
41533	B-41030-4	MN, BR, SR, W		41551	A-41032-4	N, W, BR, S	Repl. by B-41032-4
41535	A-40638-1	MN, W		41551	B-41032-2		
41535	A-41016-3	N, W	Repl. by B-41016-3	41551	B-41032-3	MN, W	
41535	A-41016-4	N, W, BR, S	Repl. by B-41016-4	41551	B-41032-4	MN, BR, SR, W	
41535	B-41016-2			41553	A-41012-3	N, W	Repl. by B-41012-3
41535	B-41016-3	MN, W		41553	B-41012-2		
41535	B-41016-4	MN, BR, SR, W		41553	B-41012-3	MN, W	
41537	A-40636-1	MN, W		41553	B-41012-4	MN, BR, SR, W	
41537	A-41006-3	N, W	Repl. by B-41006-3	41555	A-41036-3	N, W	Repl. by B-41036-3
41537	A-41006-4	N, W, BR, S	Repl. by B-41006-4	41555	A-41036-4	N, W, BR, S	Repl. by B-41036-4
41537	B-41006-2			41555	B-41036-2		
41537	B-41006-3	MN, W		41555	B-41036-3	MN, W	
41537	B-41006-4	MN, BR, SR, W		41555	B-41036-4	MN, BR, SR, W	
41539	A-40632-1	MN, W		41557	A-41024-4	N, W, BR, S	Repl. by B-41024-4
41539	A-41018-3	N, W	Repl. by B-41018-3				
41539	A-41018-4	N, W, BR, S	Repl. by B-41018-4				
41539	B-41018-2						

HARDWARE KEY

B - Bolt or Capscrew	BN - Button	BR - Bearing or Bearing Race	MN - Metric Nut
N - Nut	Q - Quill	R - Retainer	RV - Rivet
S - Shim	SG - Spur Gear	SR - Snap Ring or Lock Ring	W - Washer

SPLINE SIZE KEY

T - Tapered **STR** - Straight

(1) Recommended fasteners, not included with gearset.

(gr) Ring gear

GEARSETS BY PINION NUMBER

Pinion	Gearset	Hardware Incl.	Remarks	Pinion	Gearset	Hardware Incl.	Remarks
41557	B-41024-2			41627	A-39504-3		
41557	B-41024-3	N, W		41627	A-39504-4	SR	
41557	B-41024-4	MN, BR, SR, W		41631K2	A-41100-1	N	No Longer Avail.
41567	A-38096-3	N	No Longer Avail.	41631K2	A-41100		Use A-41100-1
41567	A-38096-4	N, BR, S	No Longer Avail.	41633K2	A-41102-1	N	
41567	A-40312-1	N	Repl. by B-40312-4	41633K2	A-41102		Use A-41102-1
41567	A-40312-3	N	Repl. by B-40312-3	41635	A-41104-1	MN, W	
41567	A-40312-4	N, BR, S	Repl. by B-40312-4	41635	A-41104		
41567	A-40312		Repl. by B-40312-2	41657	A-41158-1	MN, W	
41567	B-40312-1	N	Repl. by B-40312-4	41657	A-41158		
41567	B-40312-2			41691	B-40558-1	MN, W	
41567	B-40312-3	N		41693	B-40560-1	MN, W	
41567	B-40312-4	N, BR, SR		41695	B-40562-1	MN, W	
41567	B-40312		Repl. by B-40312-2	41699	A-40566-1	MN, W	
41569	A-38464-3	N	No Longer Avail.	41715	B-41164-1	MN, W	
41569	A-38464-4	N, BR, S	No Longer Avail.	41715	B-41164		
41569	A-40324-3	N	Repl. by B-40364-4	41715	B-41530-1	MN, W	
41569	A-40324-4	N, BR, S	Repl. by B-40364-4	41715	B-41530		
41569	B-40324-2		Repl. by B-40364-2	41717	B-41266-1	MN, W	
41569	B-40324-3	N	Repl. by B-40364-3	41717	B-41266		
41569	B-40324-4	N, BR, SR	Repl. by B-40364-4	41717	B-41540-1	MN, W	
41571	A-39908-2		Repl. by A-41676	41717	B-41540		
41571	A-39908-3	MN	Repl. by A-41676-1	41719	A-41268-1	N, W	Repl. by B-41268-1
41599	A-38774-3			41719	B-41268-1	MN, W	
41599	A-38774-4	MN, SR, W		41719	B-41268		
41601	A-38784-3		Repl. by A-38784-4	41721	B-41270-1	MN, W	
41601	A-38784-4	MN, SR, W		41721	B-41270		
41603	A-38928-3			41721	B-41544-1	MN, W	
41603	A-38928-4	MN, SR, W		41721	B-41544		
41605	A-38988-3		Use A-38988-4	41723	A-41272-1	MN, W	
41605	A-38988-4	MN, SR, W		41723	A-41272		
41607	A-38990-3		Use A-38990-4	41723	B-41546-1	MN, W	
41607	A-38990-4	MN, SR, W		41723	B-41546		
41609	A-38992-3		Use A-38992-4	41725	A-41274-1	MN, W	Repl. by B-41274-1
41609	A-38992-4	MN, SR, W		41725	A-41274		Repl. by B-41274
41611	A-38994-3		Use A-38994-4	41725	B-41274-1	MN, W	
41611	A-38994-4	MN, SR, W		41725	B-41274		
41613	A-38996-3			41725	B-41548-1	MN, W	
41613	A-38996-4	MN, SR, W		41725	B-41548		
41617	A-39382-3			41727	B-41276-1	MN, W	
41617	A-39382-4	MN, SR, W		41727	B-41276		
41619	A-39496-2		Use A-39496-3	41729	B-41278-1	N, W	
41619	A-39496-3	MN, SR, W		41729	B-41278		
41621	A-39498-2		Use A-39498-3	41731	A-41280-1	N, W	Repl. by B-41280-1
41621	A-39498-3	MN, SR, W		41731	B-41280-1	MN, W	
41623	A-39500-2		Use A-39500-3	41731	B-41280		
41623	A-39500-3	MN, SR, W		41733	B-41282-1	MN, W	
41625	A-39502-3		Use A-39502-4	41733	B-41282		
41625	A-39502-4	MN, SR, W		41735	B-41284-1	MN, W	
				41735	B-41284		

HARDWARE KEY

B - Bolt or Capscrew **BN** - Button **BR** - Bearing or Bearing Race **MN** - Metric Nut
N - Nut **Q** - Quill **R** - Retainer **RV** - Rivet
S - Shim **SG** - Spur Gear **SR** - Snap Ring or Lock Ring **W** - Washer

SPLINE SIZE KEY

T - Tapered **STR** - Straight

(1) Recommended fasteners, not included with gearset.

(gr) Ring gear

GEARSETS BY PINION NUMBER

Pinion	Gearset	Hardware Incl.	Remarks	Pinion	Gearset	Hardware Incl.	Remarks
41739	A-38722-3	N, BR, S		41781	B-41502		Repl. by B-41684
41747	A-41304-1	MN, W		41781	B-41536-1	MN, W	
41747	A-41304			41781	B-41536		
41747	B-41550-1	MN, W		41783	A-41504-1	MN, W	Repl. by B-41686-1
41747	B-41550			41783	A-41504		Repl. by B-41686
41749	B-41456-1	MN, W		41783	B-41504-1	MN, W	Repl. by B-41686-1
41749	B-41456			41783	B-41504		Repl. by B-41686
41749	B-41552-1	MN, W		41783	B-41538-1	MN, W	
41749	B-41552			41783	B-41538		
41751	A-41458-1	MN, W		41785	A-41506-1	MN, W	Repl. by A-41676-1
41751	A-41458			41785	A-41506		Repl. by A-41676
41751	B-41554-1	MN, W		41787	A-41508-1	MN, W	
41751	B-41554			41787	A-41508		
41753	A-41460-1	MN, W		41789	A-41510-1	MN, W	
41753	A-41460			41789	A-41510		
41753	B-41556-1	MN, W		41791	B-41512-1	MN, W	
41753	B-41556			41791	B-41512		
41755	A-41462-1	MN, W		41793	B-41514-1	MN, W	
41755	A-41462			41793	B-41514		
41755	B-41558-1	MN, W		41795	B-41516-1	MN, W	Repl. by B-41678-1
41755	B-41558			41795	B-41516		Repl. by B-41678
41757	A-41464-1	MN, W	Repl. by A-43426-1	41797	B-41518-1	MN, W	Repl. by B-41680-1
41757	A-41464		Repl. by A-43426	41797	B-41518		Repl. by B-41680
41757	B-41560-1	MN, W	No Longer Avail.	41799	A-41164-2		
41757	B-41560		No Longer Avail.	41799	A-41164-3	MN, W	
41759	B-41466-1	MN, W		41801	A-41498-2		No Longer Avail.
41759	B-41466			41801	A-41498-3	MN, W	No Longer Avail.
41761	A-41468-1	MN, W		41803	A-41500-2		
41761	A-41468			41803	A-41500-3	MN, W	
41763	A-41470-1	MN, W		41807	A-41504-2		Repl. by A-41686-2
41763	A-41470			41807	A-41504-3	MN, W	Repl. by A-41686-3
41765	A-41472-1	MN, W		41809	A-41266-2		
41765	A-41472			41809	A-41266-3	MN, W	
41767	A-41474-1	MN, W		41811	B-41542-2		
41767	A-41474			41811	B-41542-3	MN, W	
41769	A-41490-1	MN, W	Repl. by A-41682-1	41813	A-41270-2		
41769	A-41490		Repl. by A-41682	41813	A-41270-3	MN, W	
41773	A-41494-1	MN, W		41815	A-41272-2		No Longer Avail.
41773	A-41494			41815	A-41272-3	MN, W	No Longer Avail.
41775	A-41496-1	MN, W		41817	A-41274-2		No Longer Avail.
41775	A-41496			41817	A-41274-3	MN, W	No Longer Avail.
41777	B-41498-1	MN, W		41819	A-41304-2		
41777	B-41498			41819	A-41304-3	MN, W	
41777	B-41532-1	MN, W		41821	A-41456-2		No Longer Avail.
41777	B-41532			41821	A-41456-3	MN, W	No Longer Avail.
41779	B-41500-1	MN, W		41823	A-41460-2		
41779	B-41500			41823	A-41460-3	MN, W	
41779	B-41534-1	MN, W		41825	A-41462-2		No Longer Avail.
41779	B-41534			41825	A-41462-3	MN, W	No Longer Avail.
41781	B-41502-1	MN, W	Repl. by B-41684-1	41827	A-41464-2		No Longer Avail.

HARDWARE KEY

B - Bolt or Capscrew **BN** - Button **BR** - Bearing or Bearing Race **MN** - Metric Nut
N - Nut **Q** - Quill **R** - Retainer **RV** - Rivet
S - Shim **SG** - Spur Gear **SR** - Snap Ring or Lock Ring **W** - Washer

SPLINE SIZE KEY

T - Tapered **STR** - Straight

(1) Recommended fasteners, not included with gearset.

(gr) Ring gear

GEARSETS BY PINION NUMBER

Pinion	Gearset	Hardware Incl.	Remarks	Pinion	Gearset	Hardware Incl.	Remarks
41827	A-41464-3	MN, W	No Longer Avail.	42139	A-41692-2	BR, S, N	
41829	B-41562-1	MN, W		42155	A-41712-1	N	
41829	B-41562			42157	A-41714-1	N, W	
41831	B-41542-1	MN, W		42157	Q-41714-1	MN, W	
41831	B-41542			42159	B-41716-1	N, W	
41833	A-41572-1	N, W		42161	B-41718-1	N, W	
41835	A-41574-1	N, W		42189	A-40482-1	N	
41837	A-41588-1	N, R, W		42191	A-40484-1	N	
41837	A-41588			42193	A-40486-1	N	
41845	B-41592-1	MN, W		42195	A-40488-1	N	
41847	A-41598-1	MN, W		42197	A-40490-1	N	
41847	A-41598	N, W		42199	A-40492-1	N	
41849	A-41600-1	N, W		42201	A-40494-1	N	
41851	A-41602-1	N, W		42203	A-40496-1	N	
41853	A-41604-1	N, W		42205	A-41896-1	N	
41855	A-41606-1	N, W		42207	A-41898-1	N	
41857	A-41608-1	MN, W		42209	A-41900-1	N	
41859	A-41610-1	N, W		42211	A-41902-1	N	
41869	A-41580-1	BR, S		42213	A-41904-1	N	
41871	A-41612-1	N, W	Repl. by A-41988-1	42215	A-41906-1	N	
41873	A-41614-1	N, W	Repl. by A-41998-1	42217	A-41908-1	N	
41875	A-41616-1	N, W		42265	A-41802-1	N, W	
41893K2	A-41634-1	N	Repl. by A-42002-1	42265	Q-41802-1	MN, W	
41893K2	A-41634		Use A-41634-1	42267	A-41684-3	MN, W	
41903	A-41644-1	N, W	Repl. by A-42006-1	42269	A-41686-3	MN, W	No Longer Avail.
41905	A-41646-1	N, W	Repl. by A-41996-1	42273	B-41806-1	MN, W	
41907	A-41650-1	N, W	Repl. by B-41650-1	42281	A-41814-1	SR, N	
41907	B-41650-1	MN, W, SR, BR		42281	A-41814-1	SR, N	
41911	Q-41652-1	MN, W		42281	A-41814-2	SR, N, BR	
41911K2	A-41652-1	N		42281	A-41814		Use A-41814-1
41911K2	A-41652		Use A-41652-1	42283	A-41816-1	N, SR	
41913	A-41654-1	N, W		42283	A-41816		Use A-41816-1
41913	Q-41654-1	MN, W		42285	A-41818-1	N, SR	
41925	B-40620-1	MN, W		42285	A-41818		Use A-41818-1
41941	B-40644-1	MN, W		42287	A-41820-1	W, N, SR	
42123	A-41670-1	N, W	No Longer Avail.	42287	A-41820		Use A-41820-1
42125	A-41672-1	N, W		42293	A-41828-1	MN, W	
42125	Q-41672-1	MN, W		42295	A-41830-1	N, W	
42127	A-41676-1	MN		42295	A-41830		
42129	A-41682-1	MN, W		42295	Q-41830-1	MN, W	
42131	A-41678-1	N, W	Repl. by B-41678-1	42305	A-41842-1	MN, W	
42131	B-41678-1	MN, W		42305	Q-41842-1	MN, W	
42133	A-41680-1	N, W	Repl. by B-41680-1	42307	A-41844-1	N, W	
42133	B-41680-1	MN, W		42309	A-41846-1	MN, W	
42135	A-41684-1	N, W	Repl. by B-41684-1	42317	A-42016-1	MN, W	
42135	B-41684-1	MN, W		42319	A-42018-1	MN	
42137	A-41686-1	N, W	Repl. by B-41686-1	42321	A-42020-1	MN, W	
42137	B-41686-1	MN, W		42323	A-42022-1	MN, W	
42139	A-41692-1	BR, S		42325	A-42024-1	MN	
				42327	A-42026-1	MN, W	

HARDWARE KEY

B - Bolt or Capscrew **BN** - Button **BR** - Bearing or Bearing Race **MN** - Metric Nut
N - Nut **Q** - Quill **R** - Retainer **RV** - Rivet
S - Shim **SG** - Spur Gear **SR** - Snap Ring or Lock Ring **W** - Washer

SPLINE SIZE KEY

T - Tapered **STR** - Straight

(1) Recommended fasteners, not included with gearset.

(gr) Ring gear

GEARSETS BY PINION NUMBER

Pinion	Gearset	Hardware Incl.	Remarks
42329	A-42028-1	MN, W	
42375	A-41990-1	MN, W	
42377	A-41992-1	MN, W	
42379	A-41994-1	MN, W	
42381	A-41996-1	MN, W	
42383	A-41988-1	MN, W	
42385	A-41998-1	MN, W	
42387	A-42000-1	MN, W	
42391	A-42002-1	MN, W	
42393	A-42004-1	MN, W	
42395	A-42006-1	MN, W	
42525	A-42086-1	MN, W	
42525	Q-42086-1	MN, W	
42527	A-42088-1	MN, W	
42529	A-42090-1	MN, W	
42531	A-42092-1	MN	
42537	Q-42098-1	MN, W	
42547	B-42120-1	MN, W	
42551	A-42128-1	MN, W	
42615	A-42172-1	MN, W	
42637	A-42196-1	MN, W	
42639	A-42198-1	MN	
42639	B-42198-1	MN, W	
42641	A-42200-1	MN, W	
42643	A-42202-1	MN, W	
42645	A-42204-1	MN, W	
42647	B-42206-1	MN, W	
42655	B-42214-1	MN, W	
42657	B-42216-1	MN, W	
42659	B-42218-1	MN, W	
42717	A-42272-1	MN, W	
42717	Q-42272-1	MN, W	
42719	B-42292-1	MN, W	
42749	B-42302-1	MN, W	
42755	A-42328-1	MN	
42841	A-42464-1	MN, W	
42841	Q-42464-1	MN, W	
42843	A-42466-1	MN, W	
42845	A-42468-1	MN, W	
42847	A-42470-1	MN, W	
42983	A-42630-1	MN, W	
43001	A-42676-1	MN, W, SR	
43081	B-42776-1	MN, W	
43379	B-43426-1	MN, W	
A3890H102	A-34814-5		
A3890H105	A-34800-6		No Longer Avail.
A3890H97	A-34814-4		
A3890Z390	A-34802-4	BR, SR	

HARDWARE KEY

B - Bolt or Capscrew	BN - Button	BR - Bearing or Bearing Race	MN - Metric Nut
N - Nut	Q - Quill	R - Retainer	RV - Rivet
S - Shim	SG - Spur Gear	SR - Snap Ring or Lock Ring	W - Washer

SPLINE SIZE KEY

T - Tapered **STR** - Straight

(1) Recommended fasteners, not included with gearset.

(gr) Ring gear

XpresswayPlus.com



Don't forget about using *XpresswayPlus.com* for:

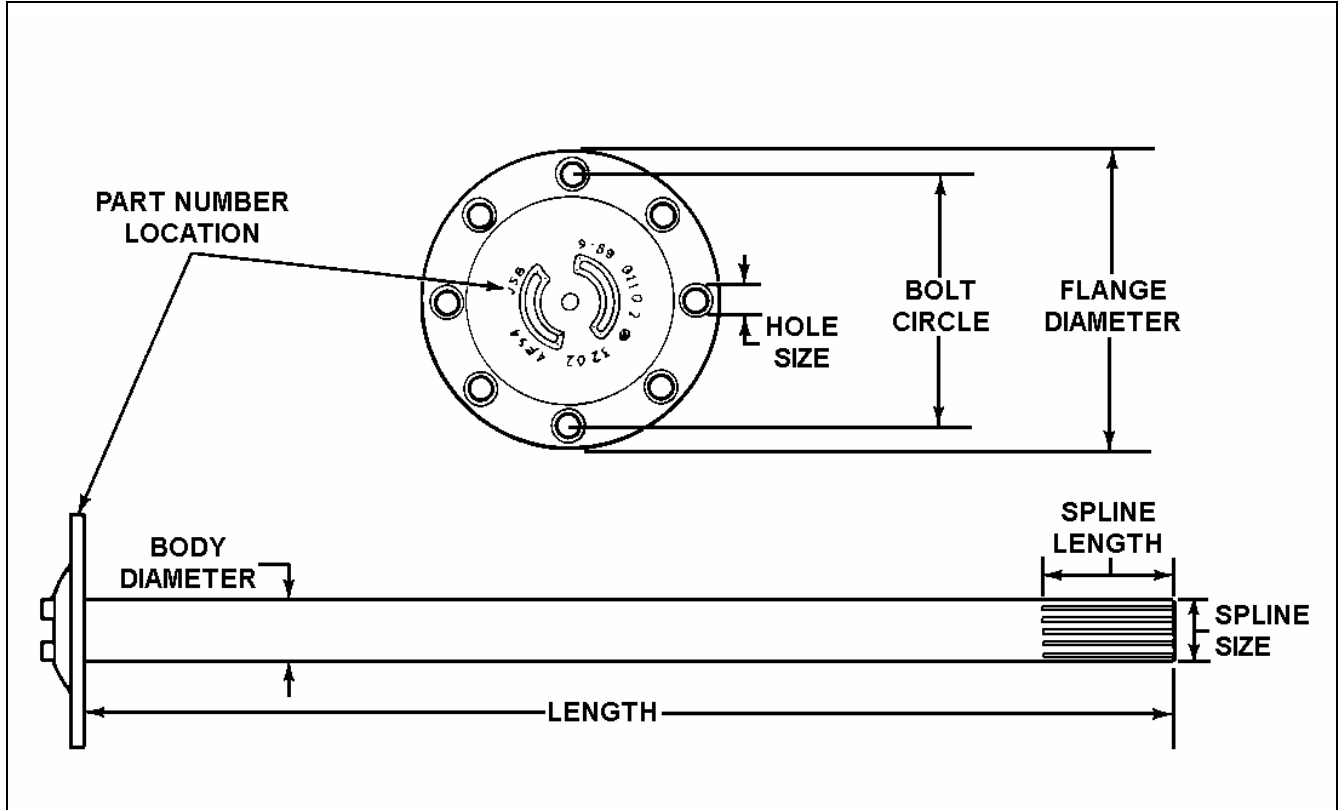
- Ordering parts online
- Order status
- Price and availability
- Visual search for new users
- Online e-mail or phone numbers for Customer Service, Information Services, Marketing, Catalog, and eSupport
- Reference Library
- The Company Store
- Easy to use navigating instructions
- Dealer/Distributor locator

XpresswayPlus is easy to find, can reduce phone calls, and save you valuable time.

WHAT YOU NEED:	WHERE TO LOOK:
ACCOUNT CHANGE	CUSTOMER SERVICE
AFTERMARKET & PRODUCTION ASSEMBLIES	CATALOG
APPLICATION INFORMATION	CATALOG
BILL-OF-LADING NUMBER	ORDER STATUS
BILL-OF-MATERIAL	CATALOG
BULLETINS	REFERENCE LIBRARY
CONTACT NAMES & NUMBERS	CUSTOMER SERVICE
FIELD SUPPORT REPRESENTATIVES	CUSTOMER SERVICE
INVOICE (VIEW & PRINT)	ORDER STATUS
NEWSLETTER	REFERENCE LIBRARY
ORDER DETAILS	ORDER STATUS
ORDER HISTORY FILE	ORDER STATUS
ORDER MERCHANDISE	COMPANY STORE
ORDER SUBMIT	CREATE NEW ORDER
ORDER SUBMIT - STOCK UPLOAD (MULTIPLE LINES)	CREATE NEW ORDER
PART DETAILS	CATALOG
PART IMAGES	CATALOG
PART NUMBER COMPARISON	CATALOG
PARTS BOOKS	REFERENCE LIBRARY
PASSWORD CHANGE	CUSTOMER SERVICE
PRICE (LIST)	CATALOG
PRICE (NET) & AVAILABILITY	PRICE & AVAILABILITY
PRODUCT BROCHURES	REFERENCE LIBRARY
PRODUCT UPDATES	REFERENCE LIBRARY
PROOF-OF-DELIVERY	ORDER STATUS
REQUEST-FOR-QUOTATION (FOR MERITOR BRAND)	PRICE REQUEST
SALES LITERATURE	REFERENCE LIBRARY
SEND QUESTIONS, COMMENTS, ISSUES	CONTACT US
SHIPPER NUMBER	ORDER STATUS
TECH TIPS	REFERENCE LIBRARY
TRACKING NUMBER	ORDER STATUS
WARRANTY INFORMATION	REFERENCE LIBRARY
WHERE-USED INFORMATION	CATALOG

AXLE SHAFTS

TYPICAL AXLE SHAFT



AXLE SHAFTS BY PART NUMBER

Axle Shaft Part Number	Spline Size	Length	Flange Dia.	Bolt Circle	No. of Holes	Hole Size	Hole Type	Body Dia.	Spline Length	Puller Holes	Lube Holes
3202-A-3303	2.00"-21	38.35"	6.25"	5.31"	8	.50"	Taper	1.88"	2.59"	No	No
3202-A-3459	2.25"-23	38.40"	8.38"	7.00"	8	.73"	Taper	2.12"	3.03"	No	No
3202-A-5071	1.88"-20	38.06"	6.25"	5.31"	16	.50"	Taper	1.75"	2.38"	No	No
3202-A-5279	1.77"-19	38.84"	6.44"	5.56"	8	.51"	Straight	1.62"	7.81"	No	No
3202-A-7853	1.75"-34	31.97"	5.58"	4.75"	8	.44"	Taper	1.57"	2.34"	No	No
3202-A-8191	2.55"-50	41.25"	8.38"	7.00"	8	.73"	Taper	2.38"	2.65"	No	No
3202-A-8815	2.35"-46	41.73"	8.38"	7.00"	8	.78"	Straight	2.25"	9.14"	No	No
3202-A-9101	2.10"-41	38.32"	8.38"	7.00"	8	.64"	Straight	2.00"	2.62"	No	No
3202-A-9127	2.35"-46	39.44"	8.38"	7.00"	8	.78"	Straight	2.25"	3.03"	No	No
3202-A-9387	1.88"-20	38.44"	6.25"	5.22"	6	.64"	Straight	1.75"	2.50"	Yes	No
3202-A-9491	2.35"-46	43.93"	8.38"	7.00"	8	.64"	Straight	2.25"	9.14"	No	No
3202-A-9855	2.35"-46	41.65"	8.38"	7.25"	10	.67"	Taper	2.25"	3.03"	Yes	Yes
3202-A-9907	2.00"-39	35.71"	8.38"	7.00"	8	.73"	Taper	2.25"	3.34"	No	No
3202-B-2082	2.12"-16	39.87"	7.50"	6.50"	12	.62"	Both	1.94"	2.72"	No	No
3202-B-3512	2.38"-24	39.34"	8.38"	7.00"	8	.73"	Taper	2.25"	3.03"	No	No
3202-B-3876	2.12"-16	42.56"	8.38"	7.00"	8	.92"	Taper	1.88"	2.22"	No	No
3202-B-4448	1.88"-20	37.81"	6.25"	5.31"	8	.50"	Taper	1.75"	2.47"	No	No
3202-B-4812	2.38"-24	41.06"	8.38"	7.00"	8	.73"	Taper	2.25"	3.03"	No	Yes
3202-B-5046	1.38"-12	30.21"	4.75"	3.96"	8	.44"	Taper	1.25"	2.14"	No	No
3202-B-5072	1.88"-20	33.25"	6.25"	5.31"	16	.50"	Taper	1.75"	2.38"	No	No
3202-B-5228	1.77"-19	38.12"	6.13"	5.13"	8	.44"	Taper	1.62"	2.56"	No	No
3202-B-6580	2.38"-24	36.21"	8.38"	7.00"	8	.73"	Taper	2.25"	3.03"	No	Yes
3202-B-7516	1.75"-16	36.18"	5.58"	4.75"	8	.44"	Taper	1.57"	2.71"	No	No
3202-B-7854	1.75"-34	33.62"	5.58"	4.75"	8	.44"	Taper	1.57"	2.34"	No	No
3202-B-7984	2.10"-41	41.49"	8.38"	7.00"	8	.78"	Straight	2.00"	2.62"	No	No
3202-B-8192	2.55"-50	49.62"	8.38"	7.00"	8	.73"	Taper	2.38"	2.65"	No	No
3202-B-8270	2.10"-41	44.50"	8.38"	7.00"	8	.73"	Taper	2.00"	2.62"	No	No
3202-B-8374	2.00"-39	42.30"	6.63"	5.50"	8	.63"	Straight	1.88"	2.69"	No	No
3202-B-8816	2.35"-46	43.93"	8.38"	7.00"	8	.73"	Taper	2.25"	9.14"	No	No
3202-B-9050	1.85"-36	37.87"	6.25"	5.25"	12	.50"	Taper	1.75"	2.60"	No	No
3202-B-9388	2.10"-41	38.68"	8.38"	7.00"	8	.73"	Taper	2.00"	2.88"	No	No
3202-B-9856	2.35"-46	43.50"	8.38"	7.00"	10	.67"	Taper	2.25"	3.03"	Yes	Yes
3202-B-9862	2.38"-24	42.56"	8.38"	7.25"	10	.67"	Taper	2.25"	3.03"	Yes	No
3202-C-4553	2.10"-41	37.60"	7.50"	6.50"	12	.62"	Both	2.00"	2.62"	No	No
3202-C-4813	2.38"-24	48.90"	8.38"	7.00"	8	.73"	Taper	2.25"	3.03"	No	Yes
3202-C-6581	2.38"-24	47.97"	8.38"	7.00"	8	.73"	Taper	2.25"	3.03"	No	Yes
3202-C-7387	2.38"-24	44.40"	8.38"	7.00"	8	.73"	Taper	2.25"	3.03"	No	No
3202-C-7803	2.55"-50	48.31"	8.50"	7.25"	8	.73"	Taper	2.38"	3.15"	No	Yes
3202-C-7855	1.75"-34	34.03"	5.58"	4.75"	8	.44"	Taper	1.57"	2.34"	No	No
3202-C-8193	2.50"-16	37.46"	8.38"	7.00"	8	.73"	Taper	2.38"	2.59"	No	No
3202-C-8375	2.00"-39	38.30"	6.63"	5.50"	8	.63"	Straight	1.88"	2.69"	No	No
3202-C-8817	2.35"-46	46.78"	8.38"	7.00"	8	.73"	Taper	2.25"	9.14"	No	No
3202-C-9051	1.85"-36	43.89"	6.25"	5.25"	12	.50"	Taper	1.75"	2.60"	No	No
3202-C-9103	2.10"-41	42.44"	8.38"	7.00"	8	.64"	Straight	2.00"	2.62"	No	No
3202-C-9129	2.35"-46	43.07"	8.38"	7.00"	8	.78"	Straight	2.25"	9.14"	No	No
3202-C-9181	2.10"-41	40.60"	8.38"	7.00"	8	.73"	Taper	2.00"	2.62"	No	No
3202-C-9389	2.10"-41	44.63"	8.38"	7.00"	8	.73"	Taper	2.00"	2.88"	No	No
3202-C-9597	2.00"-39	37.45"	6.63"	5.50"	8	.63"	Straight	1.88"	2.88"	No	No
3202-C-9805	2.55"-50	58.27"	8.50"	7.25"	8	.73"	Taper	2.25"	3.15"	No	Yes
3202-D-2656	2.12"-16	44.00"	8.63"	7.63"	10	.51"	Straight	1.94"	1.87"	No	No
3202-D-3540	2.38"-24	41.00"	8.38"	7.00"	8	.73"	Taper	2.25"	3.03"	No	No
3202-D-3670	2.38"-24	35.21"	8.38"	7.00"	8	.73"	Taper	2.25"	3.03"	No	No
3202-D-3696	1.88"-20	40.84"	6.25"	5.31"	8	.50"	Taper	1.75"	2.47"	No	No
3202-D-6712	2.00"-39	38.75"	6.25"	5.31"	8	.50"	Taper	1.88"	3.34"	No	No
3202-D-6738	2.00"-39	35.53"	6.25"	5.31"	16	.50"	Taper	1.88"	3.34"	No	No
3202-D-7232	2.38"-24	37.18"	8.38"	7.00"	8	.73"	Taper	2.25"	3.03"	No	Yes

AXLE SHAFTS BY PART NUMBER

Axle Shaft Part Number	Spline Size	Length	Flange Dia.	Bolt Circle	No. of Holes	Hole Size	Hole Type	Body Dia.	Spline Length	Puller Holes	Lube Holes
3202-D-7804	2.55"-50	45.84"	8.50"	7.25"	8	.73"	Taper	2.25"	3.15"	No	Yes
3202-D-7856	1.75"-34	35.28"	5.58"	4.75"	8	.44"	Taper	1.57"	2.34"	No	No
3202-D-8194	2.50"-16	45.71"	8.38"	7.00"	8	.73"	Taper	2.38"	2.59"	No	No
3202-D-9130	2.35"-46	45.90"	8.38"	7.00"	8	.78"	Straight	2.25"	9.14"	No	No
3202-D-9156	2.35"-46	42.56"	8.38"	7.00"	8	.73"	Taper	2.25"	3.03"	No	Yes
3202-D-9390	2.10"-41	44.63"	8.38"	7.00"	8	.73"	Taper	2.00"	8.12"	No	No
3202-D-9806	2.55"-50	51.63"	8.50"	7.25"	8	.73"	Taper	2.25"	3.15"	No	Yes
3202-E-3359	2.25"-23	50.56"	8.38"	7.00"	8	.73"	Taper	2.12"	3.03"	Yes	No
3202-E-4451	2.25"-23	52.21"	8.38"	7.00"	8	.73"	Taper	2.12"	3.03"	No	No
3202-E-4503	1.88"-20	40.40"	6.25"	5.31"	8	.50"	Taper	1.75"	2.47"	No	No
3202-E-4555	2.10"-41	41.72"	7.50"	6.50"	12	.62"	Both	2.00"	2.62"	No	No
3202-E-5075	2.00"-21	38.15"	6.25"	5.31"	16	.50"	Taper	1.88"	2.59"	No	No
3202-E-5179	1.88"-20	37.81"	5.94"	5.00"	8	.44"	Taper	1.75"	2.47"	No	No
3202-E-5231	2.38"-24	47.67"	8.38"	7.00"	8	.73"	Taper	2.25"	3.03"	No	No
3202-E-6609	2.12"-16	45.78"	7.50"	6.50"	12	.62"	Both	1.94"	1.94"	No	No
3202-E-7233	2.38"-24	45.03"	8.38"	7.00"	8	.73"	Taper	2.25"	3.03"	No	Yes
3202-E-7415	1.77"-19	36.18"	5.58"	4.75"	8	.44"	Taper	1.57"	2.60"	No	No
3202-E-7857	1.75"-34	35.78"	5.58"	4.75"	8	.44"	Taper	1.57"	2.34"	No	No
3202-E-8195	2.50"-16	41.34"	8.38"	7.00"	8	.73"	Taper	2.38"	2.59"	No	No
3202-E-8767	2.38"-24	44.83"	8.38"	7.00"	8	.73"	Taper	2.25"	3.43"	No	No
3202-E-9001	1.75"-34	38.60"	6.25"	5.31"	8	.50"	Taper	1.62"	2.25"	No	No
3202-E-9105	2.10"-41	41.52"	8.38"	7.00"	8	.64"	Straight	2.00"	2.62"	No	No
3202-E-9183	2.10"-41	41.43"	8.38"	7.00"	8	.73"	Taper	2.00"	2.62"	No	No
3202-E-9391	2.35"-46	37.78"	8.38"	7.00"	8	.73"	Taper	2.25"	3.03"	No	No
3202-E-9495	2.35"-46	38.56"	8.38"	7.00"	8	.78"	Straight	2.25"	3.03"	No	No
3202-E-9573	2.35"-46	40.31"	8.38"	7.00"	8	.64"	Straight	2.25"	3.03"	No	No
3202-E-9599	2.00"-39	43.36"	6.43"	5.50"	8	.63"	Straight	1.88"	2.88"	No	No
3202-F-3516	2.38"-24	37.34"	8.38"	7.00"	8	.73"	Taper	2.25"	3.03"	No	No
3202-F-3906	2.00"-21	43.28"	6.43"	5.69"	12	.42"	Taper	1.88"	2.59"	No	No
3202-F-4608	2.00"-21	43.61"	6.25"	5.31"	8	.50"	Taper	1.88"	2.59"	No	No
3202-F-4920	2.12"-22	42.08"	8.63"	7.63"	10	.51"	Straight	1.94"	1.63"	No	No
3202-F-5076	2.00"-21	39.90"	6.25"	5.31"	16	.50"	Taper	1.88"	2.59"	No	No
3202-F-5232	2.38"-24	35.93"	8.38"	7.00"	8	.73"	Taper	2.25"	3.03"	No	No
3202-F-6766	2.35"-46	37.18"	8.38"	7.00"	8	.73"	Taper	2.25"	3.03"	No	Yes
3202-F-6844	2.00"-21	40.38"	6.63"	5.25"	12	.50"	Taper	1.88"	2.50"	No	No
3202-F-7234	2.25"-23	35.31"	8.38"	7.00"	8	.73"	Taper	2.12"	3.03"	No	Yes
3202-F-7494	2.12"-22	40.47"	8.38"	7.00"	8	.73"	Taper	2.00"	2.71"	No	Yes
3202-F-7572	2.00"-39	40.84"	6.25"	5.25"	12	.50"	Taper	1.88"	3.34"	No	No
3202-F-7858	1.75"-34	36.34"	5.58"	4.75"	8	.44"	Taper	1.57"	2.34"	No	No
3202-F-8196	2.50"-16	49.71"	8.38"	7.00"	8	.73"	Taper	2.38"	2.59"	No	No
3202-F-9002	1.75"-34	37.26"	6.25"	5.31"	8	.50"	Taper	1.62"	2.25"	No	No
3202-F-9340	2.10"-41	37.18"	8.38"	7.00"	8	.73"	Taper	2.00"	2.88"	No	No
3202-F-9392	2.35"-46	41.85"	8.38"	7.00"	8	.73"	Taper	2.25"	9.14"	No	No
3202-F-9496	2.35"-46	41.03"	8.38"	7.00"	8	.78"	Straight	2.25"	3.03"	No	No
3202-F-9574	2.35"-46	46.61"	8.38"	7.00"	8	.64"	Straight	2.25"	3.03"	No	No
3202-F-9886	2.38"-24	45.60"	8.38"	7.25"	10	.67"	Taper	2.25"	3.03"	Yes	No
3202-G-2971	2.00"-21	40.21"	6.43"	5.69"	12	.42"	Taper	1.88"	2.59"	No	No
3202-G-3075	1.77"-19	34.93"	6.13"	5.13"	8	.44"	Taper	1.62"	2.56"	No	No
3202-G-3335	2.25"-23	34.47"	8.38"	7.00"	8	.73"	Taper	2.12"	3.03"	No	No
3202-G-5077	2.00"-21	36.40"	6.25"	5.31"	16	.50"	Taper	1.88"	2.59"	No	No
3202-G-5623	1.75"-16	33.53"	5.58"	4.75"	8	.44"	Taper	1.57"	2.62"	No	No
3202-G-6195	2.38"-24	39.49"	8.38"	7.00"	8	.73"	Taper	2.25"	3.43"	Yes	No
3202-G-6767	2.35"-46	45.03"	8.38"	7.00"	8	.73"	Taper	2.25"	3.03"	No	No
3202-G-7235	2.25"-23	46.56"	8.38"	7.00"	8	.73"	Taper	2.12"	3.03"	No	Yes
3202-G-7625	2.38"-24	45.97"	8.38"	7.00"	8	.73"	Taper	2.12"	3.03"	No	No

AXLE SHAFTS BY PART NUMBER

Axle Shaft Part Number	Spline Size	Length	Flange Dia.	Bolt Circle	No. of Holes	Hole Size	Hole Type	Body Dia.	Spline Length	Puller Holes	Lube Holes
3202-G-7781	2.00"-39	46.09"	6.25"	5.31"	8	.50"	Taper	1.88"	3.34"	No	No
3202-G-7859	1.75"-34	43.21"	5.58"	4.75"	8	.44"	Taper	1.57"	2.34"	No	No
3202-G-8405	2.00"-39	37.15"	6.25"	5.31"	8	.50"	Taper	1.88"	3.34"	No	No
3202-G-9003	2.35"-46	43.80"	8.38"	7.00"	8	.73"	Taper	2.25"	3.03"	No	No
3202-G-9107	2.10"-41	45.62"	8.38"	7.00"	8	.64"	Straight	2.00"	2.62"	No	No
3202-G-9159	2.35"-46	41.72"	8.38"	7.00"	8	.78"	Straight	2.25"	3.03"	No	No
3202-G-9341	2.10"-41	43.13"	8.38"	7.00"	8	.73"	Taper	2.00"	2.88"	No	No
3202-G-9393	2.35"-46	37.31"	8.38"	7.00"	8	.73"	Taper	2.25"	3.03"	No	No
3202-G-9497	2.35"-46	44.77"	8.38"	7.00"	8	.73"	Taper	2.25"	3.03"	No	No
3202-G-9575	2.35"-46	46.78"	8.38"	7.00"	8	.64"	Straight	2.25"	9.14"	No	No
3202-G-9601	2.00"-39	37.51"	6.25"	5.25"	12	.50"	Taper	1.62"	2.88"	No	No
3202-G-9887	2.38"-24	34.69"	8.38"	7.25"	10	.67"	Taper	2.25"	3.03"	Yes	No
3202-H-2686	1.75"-16	36.18"	5.58"	4.75"	8	.44"	Taper	1.57"	2.71"	No	No
3202-H-2738	2.12"-16	39.44"	7.50"	6.50"	12	.62"	Both	1.94"	2.72"	No	No
3202-H-3908	2.00"-21	37.65"	6.43"	5.69"	12	.42"	Taper	1.88"	2.59"	No	No
3202-H-4922	2.12"-22	43.32"	8.63"	7.63"	10	.51"	Straight	1.94"	1.63"	No	No
3202-H-5234	2.38"-24	55.84"	8.38"	7.00"	8	.73"	Taper	2.25"	3.03"	No	No
3202-H-6196	2.38"-24	37.49"	8.38"	7.00"	8	.73"	Taper	2.25"	3.43"	Yes	Yes
3202-H-6430	2.12"-22	41.06"	8.63"	7.63"	10	.52"	Straight	1.94"	1.63"	No	No
3202-H-6742	2.00"-39	42.34"	6.25"	5.31"	8	.50"	Taper	1.88"	3.34"	No	No
3202-H-6768	2.35"-46	41.06"	8.38"	7.00"	8	.73"	Taper	2.25"	3.03"	No	No
3202-H-7626	2.38"-24	40.94"	8.38"	7.00"	8	.73"	Taper	2.12"	3.03"	No	No
3202-H-7860	1.75"-34	19.78"	5.58"	4.75"	8	.44"	Taper	1.57"	2.34"	No	No
3202-H-8666	2.35"-46	42.72"	8.38"	7.00"	8	.73"	Taper	2.25"	9.14"	No	No
3202-H-9004	2.35"-46	40.31"	8.38"	7.00"	8	.73"	Taper	2.25"	3.03"	No	No
3202-H-9160	2.35"-46	37.78"	8.38"	7.00"	8	.78"	Straight	2.25"	3.03"	No	Yes
3202-H-9342	2.10"-41	43.13"	8.38"	7.00"	8	.73"	Taper	2.00"	8.12"	No	No
3202-H-9498	2.35"-46	41.56"	8.38"	7.00"	8	.78"	Straight	2.25"	3.03"	No	No
3202-H-9628	2.10"-41	38.14"	8.38"	7.00"	8	.73"	Taper	2.00"	2.88"	No	No
3202-H-9862	2.38"-24	42.56"	8.38"	7.25"	10	.67"	Taper	2.25"	3.03"	Yes	No
3202-J-2610	2.12"-16	41.06"	8.63"	7.63"	10	.51"	Straight	1.94"	1.87"	No	No
3202-J-3338	2.25"-23	45.47"	8.38"	7.00"	8	.73"	Taper	2.12"	3.03"	No	No
3202-J-3572	2.25"-23	40.03"	8.38"	7.00"	8	.73"	Taper	2.12"	3.03"	No	No
3202-J-5184	2.12"-22	39.87"	7.50"	6.50"	12	.62"	Both	2.00"	2.71"	No	Yes
3202-J-6744	2.00"-39	38.31"	6.25"	5.31"	8	.50"	Taper	1.88"	3.34"	No	No
3202-J-6770	2.35"-46	48.90"	8.38"	7.00"	8	.73"	Taper	2.25"	3.03"	No	No
3202-J-7836	1.75"-34	37.26"	6.13"	5.13"	8	.44"	Taper	1.62"	2.34"	No	No
3202-J-7862	1.75"-34	20.21"	5.58"	4.75"	8	.44"	Taper	1.57"	2.34"	Yes	No
3202-J-8070	2.00"-39	38.15"	6.25"	5.31"	8	.57"	Taper	1.88"	3.34"	No	No
3202-J-8486	2.38"-24	38.31"	8.38"	7.25"	10	.67"	Both	2.25"	3.03"	Yes	No
3202-J-8902	1.85"-36	41.54"	6.25"	5.25"	12	.50"	Taper	1.82"	2.00"	No	No
3202-J-8980	2.00"-39	37.53"	6.25"	5.31"	16	.50"	Taper	1.88"	3.34"	No	No
3202-J-9162	2.35"-46	41.72"	8.38"	7.00"	8	.78"	Straight	2.25"	3.03"	No	Yes
3202-J-9344	2.35"-46	36.57"	8.38"	7.00"	8	.73"	Taper	2.25"	3.03"	No	No
3202-J-9370	2.35"-46	38.75"	8.38"	7.00"	8	.73"	Taper	2.25"	3.03"	No	No
3202-J-9396	2.35"-46	43.01"	8.38"	7.00"	8	.78"	Straight	2.25"	3.03"	No	No
3202-J-9500	2.35"-46	43.80"	8.38"	7.00"	8	.78"	Straight	2.25"	3.03"	No	No
3202-J-9552	2.35"-46	43.01"	8.38"	7.00"	8	.73"	Taper	2.25"	3.03"	No	No
3202-J-9916	2.35"-46	52.79"	8.38"	7.00"	8	.73"	Taper	2.25"	3.03"	No	No
3202-K-3365	2.25"-23	40.90"	8.38"	7.00"	8	.73"	Taper	2.12"	3.03"	No	No
3202-K-3703	2.38"-24	50.34"	8.38"	7.00"	8	.73"	Taper	2.25"	3.03"	No	No
3202-K-5185	2.12"-22	43.15"	7.50"	6.50"	12	.62"	Both	2.00"	2.71"	No	Yes
3202-K-6745	2.00"-39	34.15"	6.25"	5.31"	8	.50"	Taper	1.88"	3.34"	No	No
3202-K-6771	2.35"-46	34.75"	8.38"	7.00"	8	.73"	Taper	2.25"	3.03"	No	No
3202-K-7447	2.25"-23	49.00"	8.38"	7.00"	8	.73"	Taper	2.12"	2.06"	No	No

AXLE SHAFTS BY PART NUMBER

Axle Shaft Part Number	Spline Size	Length	Flange Dia.	Bolt Circle	No. of Holes	Hole Size	Hole Type	Body Dia.	Spline Length	Puller Holes	Lube Holes
3202-K-7837	1.75"-34	34.93"	6.13"	5.13"	8	.44"	Taper	1.62"	2.34"	No	No
3202-K-7863	1.75"-34	22.15"	5.58"	4.75"	8	.44"	Taper	1.57"	2.34"	No	No
3202-K-8487	2.38"-24	40.81"	8.38"	7.25"	10	.67"	Both	2.25"	3.03"	Yes	No
3202-K-8981	2.00"-39	34.40"	6.25"	5.31"	16	.50"	Taper	1.88"	3.34"	No	No
3202-K-9163	2.35"-46	41.85"	8.38"	7.00"	8	.78"	Straight	2.25"	9.14"	No	Yes
3202-K-9345	2.35"-46	42.91"	8.38"	7.00"	8	.73"	Taper	2.25"	3.03"	No	No
3202-K-9501	2.35"-46	42.30"	8.38"	7.00"	8	.73"	Taper	2.25"	3.03"	No	No
3202-K-9631	2.10"-41	42.43"	8.38"	7.00"	8	.73"	Taper	2.00"	2.88"	No	No
3202-K-9891	2.38"-24	48.60"	8.38"	7.25"	10	.67"	Taper	2.25"	3.03"	Yes	No
3202-L-2872	2.12"-16	34.81"	8.38"	7.00"	8	.73"	Taper	2.00"	1.94"	No	No
3202-L-3002	1.88"-20	38.15"	6.25"	5.31"	8	.50"	Taper	1.75"	2.47"	No	No
3202-L-3574	2.25"-23	41.77"	8.38"	7.00"	8	.73"	Taper	2.12"	3.03"	No	No
3202-L-6356	2.10"-41	38.29"	8.38"	7.00"	8	.73"	Taper	2.00"	2.62"	No	No
3202-L-6564	2.12"-22	39.15"	8.38"	7.00"	8	.76"	Straight	2.00"	2.71"	No	No
3202-L-7734	2.55"-50	44.18"	8.50"	7.25"	8	.73"	Taper	2.38"	3.15"	No	Yes
3202-L-7838	1.75"-34	25.21"	6.13"	5.13"	8	.44"	Taper	1.62"	2.34"	No	No
3202-L-7864	1.75"-34	22.65"	5.58"	4.75"	8	.44"	Taper	1.57"	2.34"	No	No
3202-L-8488	2.38"-24	41.31"	8.38"	7.25"	10	.67"	Both	2.25"	3.03"	Yes	No
3202-L-8904	1.85"-36	40.28"	6.25"	5.25"	12	.50"	Taper	1.82"	2.00"	No	No
3202-L-9346	2.35"-46	43.07"	8.38"	7.00"	8	.73"	Taper	2.25"	9.14"	No	No
3202-L-9372	2.35"-46	45.34"	8.38"	7.00"	8	.73"	Taper	2.25"	3.03"	No	No
3202-L-9398	2.35"-46	40.12"	8.38"	7.00"	8	.73"	Taper	2.25"	3.03"	No	No
3202-L-9502	2.35"-46	46.30"	8.38"	7.00"	8	.73"	Taper	2.25"	3.03"	No	No
3202-L-9554	2.35"-46	45.90"	8.38"	7.00"	8	.73"	Taper	2.25"	3.03"	No	No
3202-L-9892	2.38"-24	37.69"	8.38"	7.25"	10	.67"	Taper	2.25"	3.03"	Yes	No
3202-L-9918	2.35"-46	52.92"	8.38"	7.00"	8	.73"	Taper	2.25"	9.14"	No	No
3202-M-2743	2.00"-16	46.00"	6.44"	5.69"	12	.65"	Taper	1.94"	1.63"	No	No
3202-M-3237	2.50"-16	38.34"	8.38"	7.00"	8	.73"	Taper	2.25"	2.59"	No	No
3202-M-3705	2.38"-24	30.59"	8.38"	7.00"	8	.73"	Taper	2.25"	3.03"	No	No
3202-M-3913	2.00"-21	44.53"	6.43"	5.69"	12	.42"	Taper	1.88"	2.59"	No	No
3202-M-5343	1.77"-19	23.97"	6.13"	5.13"	8	.44"	Taper	1.62"	2.56"	No	No
3202-M-5967	2.25"-23	43.34"	8.38"	7.00"	8	.73"	Taper	2.12"	3.03"	No	Yes
3202-M-6253	2.38"-24	42.56"	8.38"	7.00"	8	.73"	Taper	2.25"	3.03"	No	No
3202-M-6747	2.00"-39	33.40"	6.25"	5.31"	16	.50"	Taper	1.88"	3.34"	No	No
3202-M-6773	2.35"-46	46.46"	8.38"	7.00"	8	.73"	Taper	2.25"	3.03"	No	No
3202-M-6851	1.88"-20	33.84"	6.25"	5.31"	8	.50"	Taper	1.82"	1.44"	No	No
3202-M-7735	2.55"-50	41.71"	8.50"	7.25"	8	.73"	Taper	2.38"	3.15"	No	Yes
3202-M-7787	2.55"-50	56.18"	8.50"	7.25"	8	.73"	Taper	2.38"	3.15"	No	Yes
3202-M-7839	1.75"-34	29.62"	6.13"	5.13"	8	.44"	Taper	1.62"	2.34"	No	No
3202-M-7865	1.75"-34	27.34"	5.58"	4.75"	8	.44"	Taper	1.57"	2.34"	No	No
3202-M-8021	2.12"-22	42.72"	8.38"	7.00"	8	.78"	Straight	2.00"	2.71"	No	No
3202-M-8489	2.38"-24	43.81"	8.38"	7.25"	10	.67"	Both	2.25"	3.03"	Yes	No
3202-M-8671	2.38"-24	39.68"	8.38"	7.00"	8	.73"	Taper	2.12"	3.03"	No	No
3202-M-8983	2.00"-39	39.74"	6.25"	5.25"	12	.50"	Taper	1.88"	3.34"	No	No
3202-M-9529	2.00"-39	47.75"	6.25"	5.25"	12	.50"	Taper	1.88"	3.34"	No	No
3202-M-9555	2.35"-46	46.03"	8.38"	7.00"	8	.73"	Taper	2.25"	9.14"	No	No
3202-M-9633	2.00"-39	37.78"	6.25"	5.25"	12	.50"	Taper	1.88"	2.88"	No	No
3202-M-9867	2.38"-24	48.60"	8.38"	7.25"	10	.67"	Taper	2.25"	3.03"	Yes	Yes
3202-M-9893	2.35"-46	38.62"	8.38"	7.25"	10	.67"	Taper	2.25"	3.03"	Yes	No
3202-N-2588	2.50"-16	47.56"	8.38"	7.00"	8	.73"	Taper	2.25"	1.87"	No	No
3202-N-3498	2.38"-24	37.18"	8.38"	7.00"	8	.73"	Taper	2.25"	3.03"	No	No
3202-N-3940	1.77"-19	35.28"	6.13"	5.13"	8	.44"	Taper	1.62"	2.56"	No	No
3202-N-5006	2.25"-23	45.11"	8.38"	7.25"	10	.67"	Both	2.12"	3.03"	Yes	No
3202-N-5344	1.77"-19	25.21"	6.13"	5.13"	8	.44"	Taper	1.62"	2.56"	No	No
3202-N-5968	2.25"-23	37.84"	8.38"	7.00"	8	.73"	Taper	2.12"	3.03"	No	Yes

AXLE SHAFTS BY PART NUMBER

Axle Shaft Part Number	Spline Size	Length	Flange Dia.	Bolt Circle	No. of Holes	Hole Size	Hole Type	Body Dia.	Spline Length	Puller Holes	Lube Holes
3202-N-6020	2.00"-21	40.21"	6.43"	5.69"	12	.42"	Taper	1.88"	2.59"	No	Yes
3202-N-6072	2.25"-23	36.00"	8.38"	7.00"	8	.73"	Taper	2.12"	3.03"	Yes	No
3202-N-6358	2.10"-41	42.41"	8.38"	7.00"	8	.73"	Taper	2.00"	2.62"	No	No
3202-N-6566	2.38"-16	39.02"	8.38"	7.00"	8	.76"	Straight	2.25"	2.06"	Yes	No
3202-N-6774	2.35"-46	46.96"	8.38"	7.00"	8	.73"	Taper	2.25"	3.03"	No	No
3202-N-7450	1.77"-19	29.03"	5.58"	4.75"	8	.44"	Taper	1.57"	2.62"	No	No
3202-N-7788	2.55"-50	53.72"	8.50"	7.25"	8	.73"	Taper	2.38"	3.15"	No	Yes
3202-N-7840	1.75"-34	30.37"	6.13"	5.13"	8	.44"	Taper	1.62"	2.34"	No	No
3202-N-7866	1.75"-34	30.03"	5.58"	4.75"	8	.44"	Taper	1.57"	2.34"	No	No
3202-N-8672	2.38"-24	41.62"	8.38"	7.00"	8	.73"	Taper	2.12"	3.03"	No	No
3202-N-9270	2.35"-46	37.44"	8.38"	7.00"	8	.73"	Taper	2.25"	3.03"	No	Yes
3202-N-9374	2.35"-46	45.42"	8.38"	7.00"	8	.73"	Taper	2.25"	9.14"	No	No
3202-N-9400	2.35"-46	46.74"	8.38"	7.00"	8	.73"	Taper	2.25"	3.03"	No	No
3202-N-9608	2.10"-41	40.85"	8.38"	7.00"	8	.73"	Taper	2.00"	2.88"	No	No
3202-N-9868	2.38"-24	37.69"	8.38"	7.25"	10	.67"	Taper	2.25"	3.03"	Yes	Yes
3202-N-9894	2.35"-46	40.49"	8.38"	7.25"	10	.67"	Taper	2.25"	3.03"	Yes	No
3202-P-2746	2.00"-16	34.75"	6.44"	5.69"	12	.65"	Taper	1.94"	1.63"	No	No
3202-P-3240	2.50"-16	64.34"	8.38"	7.00"	8	.73"	Taper	2.25"	2.59"	No	No
3202-P-3500	2.38"-24	45.03"	8.38"	7.00"	8	.73"	Taper	2.25"	3.03"	No	No
3202-P-3812	2.00"-21	37.15"	6.25"	5.31"	8	.50"	Taper	1.88"	2.59"	No	No
3202-P-3968	1.77"-19	28.43"	6.13"	5.13"	8	.44"	Taper	1.62"	2.56"	No	No
3202-P-5008	2.25"-23	34.07"	8.38"	7.25"	10	.67"	Both	2.12"	3.03"	Yes	No
3202-P-6074	2.25"-23	47.00"	8.38"	7.00"	8	.73"	Taper	2.12"	3.03"	Yes	No
3202-P-6100	1.85"-36	38.15"	6.25"	5.31"	8	.50"	Taper	1.75"	2.09"	No	No
3202-P-6776	2.35"-46	47.96"	8.38"	7.00"	8	.73"	Taper	2.25"	3.03"	No	No
3202-P-7530	2.38"-24	40.41"	8.38"	7.00"	8	.73"	Taper	2.25"	2.94"	No	No
3202-P-7816	1.75"-34	38.03"	6.13"	5.13"	8	.44"	Taper	1.62"	2.34"	No	No
3202-P-7842	1.75"-34	35.28"	6.13"	5.13"	8	.44"	Taper	1.62"	2.34"	No	No
3202-P-7868	1.75"-34	37.15"	5.58"	4.75"	8	.44"	Taper	1.57"	2.34"	No	No
3202-P-8050	1.75"-34	38.34"	5.72"	4.75"	8	.57"	Taper	1.57"	2.34"	No	No
3202-P-8362	2.10"-41	40.68"	8.38"	7.00"	8	.73"	Taper	2.00"	2.62"	No	No
3202-P-8804	2.35"-46	41.57"	8.38"	7.00"	8	.78"	Taper	2.25"	3.03"	No	No
3202-P-9142	2.55"-50	44.21"	8.50"	7.25"	8	.73"	Taper	2.38"	3.15"	No	Yes
3202-P-9246	2.55"-50	56.21"	8.50"	7.25"	8	.73"	Taper	2.38"	3.15"	No	Yes
3202-P-9272	2.35"-46	43.78"	8.38"	7.00"	8	.73"	Taper	2.25"	3.03"	No	Yes
3202-P-9532	2.00"-39	46.69"	6.25"	5.25"	12	.50"	Taper	1.88"	3.34"	No	No
3202-P-9558	2.38"-24	37.01"	8.38"	7.00"	8	.73"	Taper	2.12"	3.03"	No	No
3202-P-9636	2.00"-39	42.03"	6.25"	5.25"	12	.50"	Taper	1.88"	2.88"	No	No
3202-P-9818	2.55"-50	50.41"	8.38"	7.25"	8	.73"	Taper	2.25"	3.15"	No	Yes
3202-P-9870	2.38"-16	37.62"	8.38"	7.25"	10	.67"	Taper	2.12"	3.03"	Yes	No
3202-P-9896	2.35"-46	41.65"	8.38"	7.25"	10	.67"	Taper	2.25"	3.03"	Yes	No
3202-P-9896S	2.35"-46	41.65"	8.38"	7.25"	10	.67"	Taper	2.25"	3.03"	Yes	No
3202-Q-2877	2.12"-16	37.03"	7.50"	6.50"	12	.62"	Both	1.94"	1.94"	No	No
3202-Q-3007	1.88"-20	43.61"	6.25"	5.31"	8	.50"	Taper	1.75"	2.47"	No	No
3202-Q-3553	1.77"-19	44.12"	6.23"	5.31"	8	.50"	Taper	1.62"	2.56"	No	No
3202-Q-6361	2.10"-41	41.49"	8.38"	7.00"	8	.73"	Taper	2.00"	2.62"	No	No
3202-Q-6777	2.35"-46	40.47"	8.38"	7.00"	8	.73"	Taper	2.25"	3.03"	No	No
3202-Q-7713	2.38"-24	39.96"	8.38"	7.00"	8	.73"	Taper	2.25"	3.03"	No	No
3202-Q-7817	1.75"-34	37.15"	5.94"	5.00"	8	.44"	Taper	1.62"	2.34"	No	No
3202-Q-7843	1.75"-34	28.43"	6.13"	5.13"	8	.44"	Taper	1.62"	2.34"	No	No
3202-Q-7869	1.75"-34	35.03"	5.58"	4.75"	8	.44"	Taper	1.57"	2.34"	No	No
3202-Q-8051	1.75"-34	38.12"	6.25"	5.31"	8	.57"	Taper	1.62"	2.34"	No	No
3202-Q-8181	2.00"-39	42.21"	6.25"	5.25"	12	.50"	Taper	1.88"	2.69"	No	No
3202-Q-8389	1.75"-34	38.12"	6.25"	5.31"	8	.50"	Taper	1.62"	2.34"	No	No
3202-Q-8649	2.10"-41	43.91"	7.50"	6.50"	12	.62"	Both	2.00"	3.34"	No	No

AXLE SHAFTS BY PART NUMBER

Axle Shaft Part Number	Spline Size	Length	Flange Dia.	Bolt Circle	No. of Holes	Hole Size	Hole Type	Body Dia.	Spline Length	Puller Holes	Lube Holes
3202-Q-8805	2.35"-46	37.44"	8.38"	7.00"	8	.73"	Taper	2.25"	3.03"	No	No
3202-Q-8935	2.00"-39	40.15"	8.38"	7.00"	8	.73"	Taper	1.94"	2.36"	No	No
3202-Q-9117	2.10"-41	37.18"	8.38"	7.00"	8	.78"	Straight	2.00"	2.88"	No	No
3202-Q-9143	2.55"-50	41.74"	8.50"	7.25"	8	.73"	Taper	2.25"	3.15"	No	Yes
3202-Q-9247	2.55"-50	53.74"	8.50"	7.25"	8	.73"	Taper	2.38"	3.15"	No	Yes
3202-Q-9273	2.35"-46	43.93"	8.38"	7.00"	8	.73"	Taper	2.25"	9.14"	No	Yes
3202-Q-9403	2.35"-46	46.90"	8.38"	7.00"	8	.73"	Taper	2.25"	9.14"	No	No
3202-Q-9611	2.10"-41	46.80"	8.38"	7.00"	8	.73"	Taper	2.00"	2.88"	No	No
3202-Q-9819	2.55"-50	43.75"	8.50"	7.25"	8	.73"	Taper	2.25"	3.15"	No	Yes
3202-Q-9845	2.10"-41	34.76"	8.38"	7.00"	8	.73"	Taper	2.00"	2.88"	No	No
3202-Q-9897	2.35"-46	43.50"	8.38"	7.25"	10	.67"	Taper	2.25"	3.03"	Yes	No
3202-Q-9897S	2.35"-46	43.50"	8.38"	7.25"	10	.67"	Taper	2.25"	3.03"	Yes	No
3202-R-2722	1.62"-16	40.72"	5.58"	4.75"	8	.44"	Taper	1.44"	1.84"	No	No
3202-R-3242	2.50"-16	50.93"	8.38"	7.00"	8	.73"	Taper	2.25"	2.59"	No	No
3202-R-3268	2.12"-22	40.47"	8.38"	7.00"	8	.73"	Taper	2.00"	2.71"	No	No
3202-R-5036	1.77"-19	32.53"	6.13"	5.13"	8	.44"	Taper	1.62"	2.56"	No	No
3202-R-5868	2.25"-23	36.65"	8.38"	7.00"	8	.73"	Taper	2.12"	3.03"	No	Yes
3202-R-6388	2.00"-21	35.03"	6.25"	5.31"	16	.50"	Taper	1.88"	2.59"	No	No
3202-R-6778	2.35"-46	39.22"	8.38"	7.00"	8	.73"	Taper	2.25"	3.03"	No	No
3202-R-7818	1.75"-34	21.97"	5.58"	4.75"	8	.44"	Taper	1.57"	2.34"	No	No
3202-R-7844	1.75"-34	28.21"	6.13"	5.13"	8	.44"	Taper	1.62"	2.34"	No	No
3202-R-7870	1.75"-34	25.47"	5.58"	4.75"	8	.44"	Taper	1.57"	2.34"	No	No
3202-R-8182	2.00"-39	38.21"	6.25"	5.25"	12	.50"	Taper	1.88"	2.69"	No	No
3202-R-8806	2.35"-46	46.61"	8.38"	7.00"	8	.73"	Taper	2.25"	3.03"	No	No
3202-R-9118	2.10"-41	43.13"	8.38"	7.00"	8	.78"	Straight	2.00"	2.88"	No	No
3202-R-9248	2.55"-50	48.31"	8.50"	7.25"	8	.73"	Taper	2.38"	3.15"	No	Yes
3202-R-9274	2.35"-46	36.57"	8.38"	7.00"	8	.78"	Straight	2.25"	3.03"	No	Yes
3202-R-9378	2.38"-24	34.06"	8.38"	7.00"	8	.73"	Taper	2.12"	3.03"	No	No
3202-R-9456	2.35"-46	44.37"	8.38"	7.00"	8	.73"	Taper	2.25"	3.03"	No	No
3202-R-9560	2.38"-24	42.17"	8.38"	7.00"	8	.73"	Taper	2.12"	3.03"	No	No
3202-R-9638	2.10"-41	46.80"	8.38"	7.00"	8	.64"	Straight	2.00"	8.12"	No	No
3202-R-9898	2.38"-24	42.56"	8.38"	7.25"	10	.67"	Taper	2.25"	3.03"	Yes	Yes
3202-R-9898S	2.38"-24	42.56"	8.38"	7.25"	10	.67"	Taper	2.25"	3.03"	Yes	Yes
3202-S-2983	2.12"-22	39.87"	7.50"	6.50"	12	.62"	Both	2.00"	2.71"	No	No
3202-S-3971	2.38"-24	53.53"	8.38"	7.00"	8	.73"	Taper	2.25"	3.03"	No	No
3202-S-5869	2.25"-23	45.15"	8.38"	7.00"	8	.73"	Taper	2.12"	3.03"	No	Yes
3202-S-6311	2.00"-21	33.65"	6.25"	5.31"	16	.50"	Taper	1.88"	2.59"	No	No
3202-S-6363	2.10"-41	45.59"	8.38"	7.00"	8	.73"	Taper	2.00"	2.62"	No	No
3202-S-6441	2.12"-16	41.06"	8.63"	7.63"	20	.50"	Straight	1.94"	1.88"	No	No
3202-S-6779	2.35"-46	41.72"	8.38"	7.00"	8	.73"	Taper	2.25"	3.03"	No	No
3202-S-7819	1.75"-34	16.78"	5.58"	4.75"	8	.44"	Taper	1.57"	2.34"	No	No
3202-S-7845	1.75"-34	32.53"	6.13"	5.13"	8	.44"	Taper	1.62"	2.34"	No	No
3202-S-7975	2.00"-39	38.75"	6.25"	5.31"	8	.50"	Taper	1.88"	3.34"	No	No
3202-S-8651	2.10"-41	42.84"	7.50"	6.50"	12	.62"	Both	2.00"	3.34"	No	No
3202-S-8937	2.10"-41	40.45"	8.38"	7.00"	8	.73"	Taper	2.00"	2.36"	No	No
3202-S-9041	2.10"-41	38.04"	8.38"	7.00"	8	.73"	Taper	2.00"	2.88"	No	No
3202-S-9119	2.10"-41	43.13"	8.38"	7.00"	8	.78"	Straight	2.00"	8.12"	No	No
3202-S-9249	2.55"-50	45.84"	8.50"	7.25"	8	.73"	Taper	2.25"	3.15"	No	Yes
3202-S-9275	2.35"-46	42.91"	8.38"	7.00"	8	.78"	Straight	2.25"	3.03"	No	Yes
3202-S-9405	2.35"-46	45.90"	8.38"	7.00"	8	.78"	Straight	2.25"	3.03"	No	No
3202-S-9483	2.10"-41	38.04"	8.38"	7.00"	8	.64"	Straight	2.00"	2.88"	No	No
3202-S-9535	2.00"-39	37.22"	6.25"	5.25"	12	.50"	Taper	1.88"	2.88"	No	No
3202-S-9561	2.38"-24	37.70"	8.38"	7.00"	8	.73"	Taper	2.25"	3.03"	No	No
3202-S-9613	2.10"-41	46.80"	8.38"	7.00"	8	.73"	Taper	2.00"	8.12"	No	No
3202-S-9847	2.10"-41	35.60"	8.38"	7.00"	8	.73"	Taper	2.00"	8.12"	No	No

AXLE SHAFTS BY PART NUMBER

Axle Shaft Part Number	Spline Size	Length	Flange Dia.	Bolt Circle	No. of Holes	Hole Size	Hole Type	Body Dia.	Spline Length	Puller Holes	Lube Holes
3202-T-2958	2.25"-23	35.31"	8.38"	7.00"	8	.73"	Taper	2.12"	3.03"	No	No
3202-T-3582	2.38"-16	38.81"	8.38"	7.25"	10	.67"	Both	2.12"	3.03"	Yes	No
3202-T-3972	2.38"-24	41.77"	8.38"	7.00"	8	.73"	Taper	2.25"	3.03"	No	No
3202-T-5870	2.25"-23	40.03"	8.38"	7.00"	8	.73"	Taper	2.12"	3.03"	No	Yes
3202-T-6728	2.38"-24	43.03"	8.38"	7.00"	8	.73"	Taper	2.12"	3.03"	No	No
3202-T-6780	2.35"-46	34.87"	8.38"	7.00"	8	.73"	Taper	2.12"	3.03"	No	No
3202-T-7820	1.75"-34	36.16"	5.58"	4.75"	8	.44"	Taper	1.57"	2.34"	No	No
3202-T-7846	1.75"-34	23.97"	6.13"	5.13"	8	.44"	Taper	1.62"	2.34"	No	No
3202-T-8002	2.00"-39	35.53"	6.25"	5.31"	8	.50"	Taper	1.88"	3.34"	No	No
3202-T-8418	2.38"-24	38.71"	8.38"	7.00"	8	.78"	Straight	2.25"	3.43"	No	No
3202-T-9042	2.10"-41	43.99"	8.38"	7.00"	8	.73"	Taper	2.00"	2.88"	No	No
3202-T-9276	2.35"-46	43.07"	8.38"	7.00"	8	.78"	Straight	2.25"	9.14"	No	Yes
3202-T-9484	2.10"-41	43.99"	8.38"	7.00"	8	.64"	Straight	2.00"	2.88"	No	No
3202-T-9562	2.38"-24	43.54"	8.38"	7.00"	8	.73"	Taper	2.25"	3.03"	No	No
3202-T-9796	2.00"-39	40.90"	6.23"	5.25"	12	.50"	Taper	1.88"	2.88"	No	No
3202-U-2959	2.25"-23	46.56"	8.38"	7.00"	8	.73"	Taper	2.12"	3.03"	No	No
3202-U-2985	2.12"-22	40.21"	7.50"	6.50"	12	.62"	Both	2.00"	2.71"	No	No
3202-U-3453	2.38"-16	37.00"	8.38"	6.88"	7	.65"	Both	2.12"	2.06"	Yes	No
3202-U-3583	2.38"-16	46.37"	8.38"	7.25"	10	.67"	Both	2.12"	3.03"	Yes	No
3202-U-5871	2.25"-23	41.77"	8.38"	7.00"	8	.73"	Taper	2.12"	3.03"	No	Yes
3202-U-6105	2.38"-16	39.65"	8.38"	7.25"	10	.67"	Both	2.12"	3.03"	Yes	No
3202-U-6157	1.88"-20	24.75"	6.25"	5.38"	8	.47"	Taper	1.75"	2.47"	No	No
3202-U-6729	2.38"-24	37.87"	8.38"	7.00"	8	.73"	Taper	2.12"	3.03"	No	No
3202-U-6781	2.35"-46	37.87"	8.38"	7.00"	8	.73"	Taper	2.12"	3.03"	No	No
3202-U-7379	2.38"-24	43.97"	8.38"	7.00"	8	.73"	Taper	2.25"	3.03"	No	No
3202-U-7847	1.75"-34	38.46"	6.13"	5.13"	8	.44"	Taper	1.62"	2.34"	No	No
3202-U-7977	2.38"-24	42.48"	8.38"	7.00"	8	.78"	Straight	2.12"	3.03"	No	No
3202-U-8705	2.00"-39	32.19"	6.25"	5.31"	16	.50"	Taper	1.88"	3.34"	No	No
3202-U-9043	2.10"-41	43.80"	8.38"	7.00"	8	.73"	Taper	2.00"	8.12"	No	No
3202-U-9173	2.10"-41	43.43"	8.38"	7.00"	8	.73"	Taper	2.00"	2.62"	No	No
3202-U-9407	2.35"-46	46.03"	8.38"	7.00"	8	.78"	Straight	2.25"	9.14"	No	No
3202-U-9485	2.10"-41	44.00"	8.38"	7.00"	8	.64"	Straight	2.00"	8.12"	No	No
3202-U-9537	2.00"-39	38.01"	6.25"	5.25"	12	.50"	Taper	1.88"	2.88"	No	No
3202-U-9823	2.35"-46	40.62"	8.38"	7.00"	8	.73"	Taper	2.25"	3.03"	No	No
3202-U-9875	2.38"-16	42.62"	8.38"	7.25"	10	.67"	Taper	2.12"	3.03"	Yes	No
3202-V-5196	1.77"-19	38.84"	6.44"	5.56"	8	.51"	Straight	1.62"	1.94"	No	No
3202-V-6054	2.38"-24	39.22"	8.38"	7.00"	8	.73"	Taper	2.25"	3.43"	No	No
3202-V-6574	2.25"-23	38.40"	8.38"	7.00"	8	.73"	Taper	2.12"	3.03"	No	Yes
3202-V-6730	2.38"-24	40.65"	8.38"	7.00"	8	.73"	Taper	2.12"	3.03"	No	No
3202-V-6782	2.35"-46	39.12"	8.38"	7.00"	8	.73"	Taper	2.12"	3.03"	No	No
3202-V-7796	1.75"-34	37.17"	6.25"	5.25"	12	.51"	Straight	1.62"	7.95"	No	No
3202-V-7848	1.75"-34	36.56"	6.13"	5.13"	8	.44"	Taper	1.62"	2.34"	No	No
3202-V-7978	2.38"-24	37.32"	8.38"	7.00"	8	.78"	Straight	2.12"	3.03"	No	No
3202-V-8368	2.00"-39	48.53"	6.25"	5.25"	12	.50"	Taper	1.88"	3.34"	No	No
3202-V-8420	2.38"-24	41.15"	8.38"	7.00"	8	.78"	Straight	2.25"	3.43"	No	No
3202-V-9148	2.35"-46	41.85"	8.38"	7.00"	8	.78"	Straight	2.25"	9.14"	No	No
3202-V-9382	1.77"-19	38.19"	6.25"	5.22"	6	.64"	Straight	1.62"	2.56"	Yes	No
3202-V-9486	2.10"-41	37.18"	8.38"	7.00"	8	.64"	Straight	2.00"	2.88"	No	No
3202-V-9824	2.35"-46	45.60"	8.38"	7.00"	8	.73"	Taper	2.25"	3.03"	No	No
3202-V-9876	2.25"-23	39.59"	8.38"	7.25"	10	.67"	Taper	2.12"	3.03"	Yes	No
3202-V-9902	2.25"-23	44.71"	8.38"	7.00"	8	.73"	Taper	2.00"	3.03"	Yes	No
3202-W-2987	2.12"-22	49.75"	7.50"	6.50"	12	.62"	Both	2.00"	2.71"	No	No
3202-W-3039	2.25"-23	43.34"	8.38"	7.00"	8	.73"	Taper	2.12"	3.03"	No	No
3202-W-3351	2.00"-21	33.65"	6.25"	5.31"	8	.50"	Taper	1.88"	2.59"	No	No
3202-W-3741	1.77"-19	30.37"	6.13"	5.13"	8	.44"	Taper	1.62"	2.56"	No	No

AXLE SHAFTS BY PART NUMBER

Axle Shaft Part Number	Spline Size	Length	Flange Dia.	Bolt Circle	No. of Holes	Hole Size	Hole Type	Body Dia.	Spline Length	Puller Holes	Lube Holes
3202-W-5197	1.77"-19	37.18"	5.94"	5.00"	8	.44"	Taper	1.62"	2.56"	No	No
3202-W-5899	2.12"-22	43.50"	8.38"	7.00"	8	.73"	Taper	2.00"	2.71"	No	No
3202-W-6159	1.88"-20	20.34"	6.25"	5.38"	8	.47"	Taper	1.75"	2.47"	No	No
3202-W-6783	2.35"-46	46.12"	8.38"	7.00"	8	.73"	Taper	2.12"	3.03"	No	No
3202-W-7693	2.00"-39	43.40"	6.25"	5.25"	12	.50"	Taper	1.88"	3.34"	No	No
3202-W-7745	2.35"-46	38.56"	8.38"	7.00"	8	.73"	Taper	2.25"	3.03"	No	No
3202-W-7849	1.75"-34	37.81"	5.94"	5.00"	8	.44"	Taper	1.62"	2.34"	No	No
3202-W-8915	2.00"-39	40.91"	8.38"	7.00"	8	.73"	Taper	1.94"	2.48"	No	No
3202-W-9149	2.35"-46	37.78"	8.38"	7.00"	8	.78"	Straight	2.25"	3.03"	No	No
3202-W-9175	1.75"-34	37.87"	5.58"	4.75"	8	.44"	Taper	1.62"	2.25"	No	No
3202-W-9409	2.35"-46	48.31"	8.38"	7.00"	8	.73"	Taper	2.25"	3.03"	No	No
3202-W-9461	2.10"-41	40.73"	8.38"	7.00"	8	.64"	Straight	2.00"	2.88"	No	No
3202-W-9487	2.10"-41	43.13"	8.38"	7.00"	8	.64"	Straight	2.00"	2.88"	No	No
3202-W-9539	2.00"-39	38.50"	6.25"	5.25"	12	.50"	Taper	1.88"	2.88"	No	No
3202-W-9643	2.35"-46	37.78"	8.38"	7.00"	8	.73"	Taper	2.25"	3.03"	No	Yes
3202-W-9877	2.25"-23	45.11"	8.38"	7.25"	10	.67"	Taper	2.00"	3.03"	Yes	Yes
3202-X-2728	1.38"-12	22.91"	4.75"	3.96"	8	.44"	Taper	1.25"	2.14"	No	No
3202-X-3508	2.38"-24	40.47"	8.38"	7.00"	8	.73"	Taper	2.25"	3.43"	No	No
3202-X-3924	2.38"-24	36.21"	8.38"	7.00"	8	.73"	Taper	2.25"	3.03"	No	No
3202-X-6056	2.38"-24	41.72"	8.38"	7.00"	8	.73"	Taper	2.25"	3.43"	No	No
3202-X-6472	2.00"-21	40.09"	6.25"	5.25"	12	.50"	Taper	1.88"	2.59"	No	No
3202-X-6732	2.00"-39	34.15"	6.25"	5.31"	16	.50"	Taper	1.88"	3.34"	No	No
3202-X-6784	2.35"-46	49.25"	8.38"	7.00"	8	.73"	Taper	2.12"	3.03"	No	No
3202-X-7694	2.00"-39	38.28"	6.25"	5.25"	12	.50"	Taper	1.88"	3.34"	No	No
3202-X-7850	1.75"-34	24.34"	5.58"	4.75"	8	.44"	Taper	1.57"	2.34"	No	No
3202-X-7980	2.12"-22	39.57"	8.38"	7.00"	8	.78"	Straight	2.00"	2.71"	No	No
3202-X-8110	2.35"-46	43.40"	8.38"	7.00"	8	.73"	Taper	2.25"	3.03"	No	No
3202-X-9046	2.00"-39	37.63"	6.25"	5.25"	12	.50"	Taper	1.88"	2.88"	No	No
3202-X-9488	2.10"-41	43.13"	8.38"	7.00"	8	.64"	Straight	2.00"	8.12"	No	No
3202-X-9644	2.35"-46	41.72"	8.38"	7.00"	8	.73"	Taper	2.25"	3.03"	No	Yes
3202-X-9826	2.35"-46	43.62"	8.38"	7.00"	8	.73"	Taper	2.25"	3.03"	No	No
3202-Y-3925	2.38"-24	47.97"	8.38"	7.00"	8	.73"	Taper	2.25"	3.03"	No	No
3202-Y-5017	2.00"-21	48.97"	6.43"	5.69"	12	.42"	Taper	1.88"	2.59"	No	No
3202-Y-6785	2.35"-46	50.23"	8.38"	7.00"	8	.73"	Taper	2.12"	3.03"	No	No
3202-Y-7851	1.75"-34	28.18"	5.58"	4.75"	8	.44"	Taper	1.57"	2.34"	No	No
3202-Y-7877	1.75"-34	29.12"	5.58"	4.75"	8	.44"	Taper	1.57"	2.34"	No	No
3202-Y-8111	2.35"-46	42.56"	8.38"	7.00"	8	.73"	Taper	2.25"	3.03"	No	No
3202-Y-8189	2.55"-50	37.37"	8.38"	7.00"	8	.73"	Taper	2.38"	2.65"	No	No
3202-Y-8501	2.00"-39	40.71"	6.25"	5.25"	12	.50"	Taper	1.88"	3.34"	No	No
3202-Y-8683	2.35"-46	39.59"	8.38"	7.00"	8	.73"	Taper	2.25"	3.03"	No	No
3202-Y-8917	2.10"-41	41.29"	8.38"	7.00"	8	.73"	Taper	2.00"	2.36"	No	No
3202-Y-9047	2.00"-39	43.54"	6.25"	5.25"	12	.50"	Taper	1.88"	2.88"	No	No
3202-Y-9125	2.35"-46	36.57"	8.38"	7.00"	8	.78"	Straight	2.25"	3.03"	No	No
3202-Y-9177	1.75"-34	34.32"	5.58"	4.75"	8	.50"	Taper	1.62"	2.34"	No	No
3202-Y-9281	1.85"-36	38.21"	6.25"	5.25"	12	.50"	Taper	1.75"	2.60"	No	No
3202-Y-9411	2.35"-46	48.39"	8.38"	7.00"	8	.73"	Taper	2.25"	9.14"	No	No
3202-Y-9463	2.10"-41	46.80"	8.38"	7.00"	8	.64"	Straight	2.00"	2.88"	No	No
3202-Y-9489	2.35"-46	37.44"	8.38"	7.00"	8	.64"	Straight	2.25"	3.03"	No	No
3202-Y-9541	2.00"-39	39.29"	6.25"	5.25"	12	.50"	Taper	1.88"	2.88"	No	No
3202-Y-9853	2.35"-46	38.62"	8.38"	7.25"	10	.67"	Taper	2.25"	3.03"	Yes	Yes
3202-Z-2054	2.38"-16	40.56"	8.38"	7.00"	8	.73"	Taper	2.25"	2.06"	No	No
3202-Z-2730	1.38"-12	36.66"	4.75"	3.96"	8	.44"	Taper	1.25"	2.14"	No	No
3202-Z-3250	2.12"-22	37.12"	7.50"	6.50"	12	.62"	Both	2.00"	2.71"	No	No
3202-Z-3510	1.88"-20	40.18"	6.43"	5.69"	12	.42"	Taper	1.75"	2.47"	No	No
3202-Z-3666	2.38"-24	43.40"	8.38"	7.00"	8	.73"	Taper	2.25"	3.03"	No	No

AXLE SHAFTS BY PART NUMBER

Axle Shaft Part Number	Spline Size	Length	Flange Dia.	Bolt Circle	No. of Holes	Hole Size	Hole Type	Body Dia.	Spline Length	Puller Holes	Lube Holes
3202-Z-3718	2.38"-24	40.47"	8.38"	7.00"	8	.73"	Taper	2.25"	3.43"	No	Yes
3202-Z-4784	2.38"-24	40.47"	8.38"	7.00"	8	.73"	Taper	2.25"	3.43"	Yes	No
3202-Z-5044	1.38"-12	29.21"	4.75"	3.96"	8	.44"	Taper	1.25"	2.14"	No	No
3202-Z-5408	2.25"-23	48.80"	8.38"	7.00"	8	.73"	Taper	2.12"	3.03"	No	No
3202-Z-6058	1.38"-12	30.71"	4.75"	3.96"	8	.44"	Taper	1.25"	2.14"	No	No
3202-Z-6604	1.77"-19	37.06"	5.58"	4.75"	8	.44"	Taper	1.57"	2.48"	No	No
3202-Z-6734	2.00"-39	38.65"	6.25"	5.31"	16	.50"	Taper	1.88"	3.34"	No	No
3202-Z-7384	2.38"-24	38.56"	8.38"	7.00"	8	.73"	Taper	2.25"	3.03"	No	No
3202-Z-7852	1.75"-34	30.47"	5.58"	4.75"	8	.44"	Taper	1.57"	2.34"	No	No
3202-Z-7982	2.10"-41	37.37"	8.38"	7.00"	8	.78"	Straight	2.00"	2.62"	No	No
3202-Z-8112	2.35"-46	39.96"	8.38"	7.00"	8	.73"	Taper	2.25"	3.03"	No	No
3202-Z-8190	2.55"-50	45.62"	8.38"	7.00"	8	.73"	Taper	2.38"	2.65"	No	No
3202-Z-8268	2.10"-41	38.62"	8.38"	7.00"	8	.73"	Taper	2.00"	2.62"	No	No
3202-Z-8580	2.25"-23	42.59"	8.38"	7.25"	10	.67"	Both	2.12"	3.03"	Yes	Yes
3202-Z-8684	2.35"-46	41.59"	8.38"	7.00"	8	.73"	Taper	2.25"	3.03"	No	No
3202-Z-8788	2.10"-41	40.18"	8.38"	7.00"	8	.73"	Taper	2.00"	2.62"	No	No
3202-Z-9126	2.35"-46	42.91"	8.38"	7.00"	8	.78"	Straight	2.25"	3.03"	No	No
3202-Z-9490	2.35"-46	43.80"	8.38"	7.00"	8	.64"	Straight	2.25"	3.03"	No	No
3202-Z-9854	2.35"-46	40.49"	8.38"	7.25"	10	.67"	Taper	2.25"	3.03"	Yes	Yes
3202-Z-9880	2.38"-24	39.50"	8.38"	7.25"	10	.67"	Taper	2.25"	3.03"	Yes	No
3206-A-1067	2.10"-41	43.01"	8.38"	7.00"	8	.73"	Taper	2.00"	3.25"	No	No
3206-A-1353	2.10"-41	43.01"	8.38"	7.00"	8	.73"	Taper	1.88"	2.88"	No	No
3206-A-1483	2.10"-41	43.01"	8.38"	7.00"	8	.64"	Straight	2.00"	2.88"	No	No
3206-A-1535	2.35"-46	41.46"	8.38"	7.00"	8	.73"	Taper	2.25"	3.03"	No	No
3206-B-1068	2.10"-41	43.01"	8.38"	7.00"	8	.78"	Straight	2.00"	3.25"	No	No
3206-B-1484	2.10"-41	43.01"	8.38"	7.00"	8	.64"	Straight	2.00"	8.12"	No	No
3206-B-1536	2.35"-46	40.00"	8.38"	7.00"	8	.73"	Taper	2.25"	3.03"	No	Yes
3206-B-1562	2.10"-41	34.87"	8.38"	7.00"	8	.73"	Taper	2.00"	8.12"	No	No
3206-C-1485	2.10"-41	39.88"	8.38"	7.00"	8	.73"	Taper	2.00"	2.88"	No	No
3206-C-1537	2.35"-46	42.00"	8.38"	7.00"	8	.73"	Taper	2.25"	3.03"	No	Yes
3206-C-1563	2.10"-41	35.70"	8.38"	7.00"	8	.73"	Taper	2.00"	2.88"	No	No
3206-C-1589	2.35"-46	43.66"	8.38"	7.25"	10	.67"	Taper	2.25"	9.14"	Yes	Yes
3206-D-1070	2.10"-41	43.87"	8.38"	7.00"	8	.73"	Taper	2.00"	3.25"	No	No
3206-D-1486	2.10"-41	45.82"	8.38"	7.00"	8	.73"	Taper	2.00"	2.88"	No	No
3206-D-1538	2.35"-46	41.46"	8.38"	7.00"	8	.73"	Taper	2.25"	9.14"	No	No
3206-D-1590	2.35"-46	35.91"	8.38"	7.00"	8	.73"	Taper	2.25"	3.03"	No	No
3206-E-1071	2.10"-41	43.87"	8.38"	7.00"	8	.64"	Taper	2.00"	3.25"	No	No
3206-E-1487	2.10"-41	45.82"	8.38"	7.00"	8	.73"	Taper	2.00"	8.12"	No	No
3206-E-1565	2.10"-41	36.40"	8.38"	7.00"	8	.73"	Taper	1.88"	2.88"	No	No
3206-E-1591	2.35"-46	42.25"	8.38"	7.00"	8	.73"	Taper	2.25"	3.03"	No	No
3206-E-1617	2.35"-46	50.89"	8.38"	7.00"	8	.73"	Taper	2.25"	9.14"	No	No
3206-F-1046	2.00"-39	37.92"	6.63"	5.50"	8	.65"	Straight	1.88"	3.25"	No	No
3206-F-1488	2.10"-41	39.88"	8.38"	7.00"	8	.64"	Straight	2.00"	2.88"	No	No
3206-F-1592	2.35"-46	42.41"	8.38"	7.00"	8	.73"	Taper	2.25"	9.14"	No	No
3206-F-1618	2.35"-46	44.22"	8.38"	7.00"	8	.73"	Taper	2.25"	3.03"	No	No
3206-F-1748	2.10"-41	35.75"	8.38"	7.00"	8	.73"	Taper	1.88"	2.88"		
3206-G-1047	2.00"-39	38.54"	6.23"	5.25"	12	.50"	Taper	1.88"	3.25"	No	No
3206-G-1073	2.10"-41	46.68"	8.38"	7.00"	8	.73"	Taper	2.00"	3.25"	No	No
3206-G-1489	2.10"-41	45.82"	8.38"	7.00"	8	.64"	Straight	2.00"	2.88"	No	No
3206-G-1567	2.10"-41	42.35"	8.38"	7.00"	8	.73"	Taper	1.88"	2.88"	No	No
3206-G-1593	2.35"-46	37.12"	8.38"	7.00"	8	.73"	Taper	2.25"	3.03"	No	No
3206-G-1749	2.10"-41	41.70"	8.38"	7.00"	8	.73"	Taper	1.88"	2.88"		
3206-H-1074	2.10"-41	46.68"	8.38"	7.00"	8	.64"	Straight	2.00"	3.25"	No	No
3206-H-1490	2.10"-41	45.82"	8.38"	7.00"	8	.64"	Straight	2.00"	8.12"	No	No
3206-H-1594	2.35"-46	41.60"	8.38"	7.00"	8	.73"	Taper	2.25"	3.03"	No	No

AXLE SHAFTS BY PART NUMBER

Axle Shaft Part Number	Spline Size	Length	Flange Dia.	Bolt Circle	No. of Holes	Hole Size	Hole Type	Body Dia.	Spline Length	Puller Holes	Lube Holes
3206-H-1620	2.35"-46	50.89"	8.38"	7.00"	8	.73"	Taper	2.25"	3.03"	No	No
3206-J-1050	2.10"-41	37.06"	8.38"	7.00"	8	.73"	Taper	2.00"	3.25"	No	No
3206-J-1492	2.35"-46	39.45"	8.38"	7.00"	8	.64"	Straight	2.25"	3.03"	No	No
3206-J-1544	2.38"-24	44.56"	8.38"	7.25"	10	.64"	Taper	2.25"	3.03"	Yes	No
3206-J-1570	2.10"-41	36.40"	8.38"	7.00"	8	.73"	Taper	2.00"	2.88"	No	No
3206-K-1493	2.35"-46	45.74"	8.38"	7.00"	8	.64"	Straight	2.25"	3.03"	No	No
3206-K-1545	2.38"-24	40.56"	8.38"	7.25"	10	.64"	Taper	2.25"	3.03"	Yes	No
3206-K-1597	2.35"-46	41.19"	8.38"	7.00"	8	.64"	Taper	2.25"	9.14"	No	No
3206-K-1623	1.85"-36	40.63"	8.38"	7.00"	8	.73"	Taper	1.88"	2.13"	No	No
3206-L-1494	2.35"-46	45.90"	8.38"	7.00"	8	.64"	Straight	2.25"	9.14"	No	No
3206-L-1572	2.10"-41	42.35"	8.38"	7.00"	8	.73"	Taper	2.00"	2.88"	No	No
3206-L-1624	1.85"-36	41.87"	8.38"	7.00"	8	.73"	Taper	1.88"	2.13"	No	No
3206-M-1053	2.10"-41	37.92"	8.38"	7.00"	8	.73"	Taper	2.00"	3.25"	No	No
3206-M-1495	2.35"-46	51.93"	8.38"	7.00"	8	.73"	Taper	2.25"	3.03"	No	No
3206-M-1859	1.58"-37	33.88"	5.18"	4.33"	8	.51"	Straight	1.53"	1.97"	No	No
3206-M-1885	2.10"-41	35.86"	7.93"	6.75"	12	.59"	Taper	1.88"	2.88"		
3206-N-1054	2.10"-41	37.92"	8.38"	7.00"	8	.64"	Straight	2.00"	3.25"	No	No
3206-N-1340	1.75"-34	38.53"	6.23"	5.31"	8	.50"	Taper	1.62"	8.25"	No	No
3206-N-1574	2.10"-41	42.35"	8.38"	7.00"	8	.73"	Taper	2.00"	8.12"	No	No
3206-N-1860	1.58"-37	39.00"	5.18"	4.33"	8	.51"	Straight	1.53"	1.97"	No	No
3206-P-1498	2.10"-41	39.75"	8.38"	7.00"	8	.73"	Taper	2.00"	2.88"	No	No
3206-P-1602	1.85"-36	39.78"	8.38"	7.00"	8	.73"	Taper	1.88"	2.13"	No	No
3206-P-1654	1.75"-34	36.50"	6.23"	5.31"	8	.53"	Taper	1.62"	2.25"	No	No
3206-P-1732	2.00"-39	33.15"	6.23"	5.31"	16	.53"	Taper	1.88"	3.34"	No	No
3206-P-1758	2.35"-46	40.87"	8.38"	7.00"	8	.73"	Taper	2.25"	3.03"	No	Yes
3206-P-1862	1.58"-37	35.50"	5.18"	4.33"	8	.51"	Straight	1.53"	1.97"	No	No
3206-P-1888	2.10"-41	41.75"	7.93"	6.75"	12	.59"	Taper	1.88"	2.88"		
3206-P-1940	1.58"-37	39.50"	5.18"	4.33"	8	.51"	Straight	1.53"	1.97"	No	No
3206-Q-1057	2.10"-41	40.73"	8.38"	7.00"	8	.73"	Taper	2.00"	3.25"	No	No
3206-Q-1343	2.10"-41	37.92"	8.38"	7.00"	8	.73"	Taper	1.88"	2.88"	No	No
3206-Q-1499	2.35"-46	40.72"	8.38"	7.00"	8	.73"	Taper	2.25"	3.03"	No	No
3206-Q-1603	1.85"-36	41.02"	8.38"	7.00"	8	.73"	Taper	1.88"	2.13"	No	No
3206-Q-1655	2.10"-41	44.25"	8.38"	7.00"	8	.73"	Taper	2.00"	2.88"	No	No
3206-Q-1733	2.00"-39	34.00"	6.23"	5.31"	16	.53"	Taper	1.88"	3.34"	No	No
3206-Q-1759	2.35"-46	42.87"	8.38"	7.00"	8	.73"	Taper	2.25"	3.03"	No	Yes
3206-Q-1863	1.58"-37	40.63"	5.18"	4.33"	8	.51"	Straight	1.53"	1.97"	No	No
3206-R-1058	2.10"-41	40.73"	8.38"	7.00"	8	.64"	Straight	2.00"	3.25"	No	No
3206-R-1604	2.35"-46	43.22"	8.38"	7.00"	8	.73"	Taper	2.25"	9.14"	No	No
3206-R-1942	1.58"-37	44.50"	5.18"	4.33"	8	.51"	Straight	1.53"	1.97"	No	No
3206-S-1345	2.10"-41	43.87"	8.38"	7.00"	8	.73"	Taper	1.88"	2.88"	No	No
3206-S-1501	2.35"-46	40.88"	8.38"	7.00"	8	.73"	Taper	2.25"	9.14"	No	No
3206-T-1060	2.35"-46	37.87"	8.38"	7.00"	8	.73"	Taper	2.00"	3.03"	No	No
3206-T-1190	2.35"-46	49.67"	8.38"	7.00"	8	.73"	Taper	2.25"	3.03"	No	No
3206-T-1346	2.10"-41	37.92"	8.38"	7.00"	8	.64"	Straight	1.88"	2.88"	No	No
3206-T-1476	2.55"-50	46.28"	8.50"	7.25"	8	.73"	Taper	2.25"	3.15"	No	Yes
3206-T-1502	2.35"-46	37.78"	8.38"	7.00"	8	.64"	Straight	2.25"	3.03"	No	No
3206-T-1840	2.35"-46	44.25"	8.38"	7.25"	10	.67"	Taper	2.25"	3.03"	Yes	No
3206-U-1061	2.35"-46	40.65"	8.38"	7.00"	8	.73"	Taper	2.00"	3.03"	No	No
3206-U-1087	2.38"-16	37.62"	8.38"	7.25"	10	.67"	Taper	2.12"	3.03"	Yes	Yes
3206-U-1347	2.10"-41	43.87"	8.38"	7.00"	8	.64"	Straight	1.88"	2.88"	No	No
3206-U-1477	2.55"-50	39.61"	8.50"	7.25"	8	.73"	Taper	2.25"	3.15"	No	Yes
3206-U-1503	2.35"-46	41.72"	8.38"	7.00"	8	.64"	Straight	2.25"	3.03"	No	No
3206-U-1529	2.35"-46	43.22"	8.38"	7.00"	8	.73"	Taper	2.25"	3.03"	No	No
3206-U-1841	2.35"-46	40.65"	8.38"	7.25"	10	.67"	Taper	2.25"	3.03"	Yes	No
3206-V-1088	2.38"-16	41.62"	8.38"	7.25"	10	.67"	Taper	2.12"	3.03"	Yes	Yes

AXLE SHAFTS BY PART NUMBER

Axle Shaft Part Number	Spline Size	Length	Flange Dia.	Bolt Circle	No. of Holes	Hole Size	Hole Type	Body Dia.	Spline Length	Puller Holes	Lube Holes
3206-V-1088	2.38"-16	41.62"	8.38"	7.25"	10	.67"	Taper	2.12"	3.03"	Yes	Yes
3206-V-1504	2.35"-46	41.85"	8.38"	7.00"	8	.64"	Straight	2.25"	9.14"	No	No
3206-W-1089	2.38"-16	40.65"	8.38"	7.25"	10	.67"	Taper	2.12"	3.03"	Yes	Yes
3206-W-1089S	2.38"-16	40.65"	8.38"	7.25"	10	.67"	Taper	2.12"	3.03"	Yes	Yes
3206-W-1193	2.35"-46	49.85"	8.38"	7.00"	8	.73"	Taper	2.25"	9.14"	No	No
3206-W-1349	2.10"-41	37.06"	8.38"	7.00"	8	.78"	Straight	1.88"	2.88"	No	No
3206-W-1505	2.35"-46	40.52"	8.38"	7.00"	8	.73"	Taper	2.25"	3.03"	No	No
3206-W-1921	2.35"-46	39.59"	8.38"	7.00"	8	.73"	Taper	2.25"	3.03"	Yes	No
3206-X-1064	2.00"-39	43.83"	6.25"	5.50"	8	.65"	Straight	1.88"	3.25"	No	No
3206-X-1090	2.38"-16	44.71"	8.38"	7.25"	10	.67"	Taper	2.12"	3.03"	Yes	Yes
3206-X-1090S	2.38"-16	44.71"	8.38"	7.25"	10	.67"	Taper	2.12"	3.03"	Yes	Yes
3206-X-1480	2.10"-41	37.06"	8.38"	7.00"	8	.64"	Straight	1.88"	2.88"	No	No
3206-X-1506	2.35"-46	44.49"	8.38"	7.00"	8	.73"	Taper	2.25"	3.03"	No	No
3206-X-1532	2.35"-46	37.44"	8.38"	7.00"	8	.73"	Taper	2.00"	3.03"	No	No
3206-X-1740	2.10"-41	41.49"	8.38"	7.00"	8	.73"	Taper	2.00"	2.88"		
3206-Y-1065	2.00"-39	44.45"	6.23"	5.25"	12	.50"	Taper	1.88"	3.25"	No	No
3206-Y-1351	2.10"-41	43.01"	8.38"	7.00"	8	.78"	Straight	1.88"	2.88"	No	No
3206-Y-1481	2.10"-41	43.01"	8.38"	7.00"	8	.64"	Straight	1.88"	2.88"	No	No
3206-Z-1482	2.10"-41	37.06"	8.38"	7.00"	8	.64"	Straight	2.00"	2.88"	No	No
3206-Z-1508	2.35"-46	44.68"	8.38"	7.00"	8	.73"	Taper	2.25"	9.14"	No	No

MERITOR™

an **ArvinMeritor** brand

XpresswayPlus.com



XpresswayPlus.com
For all of your parts-ordering needs

Don't forget about using *XpresswayPlus.com* for:

- Ordering parts online
- Order status
- Price and availability
- Visual search for new users
- Online e-mail or phone numbers for Customer Service, Information Services, Marketing, Catalog, and eSupport
- Reference Library
- The Company Store
- Easy to use navigating instructions
- Dealer/Distributor locator

XpresswayPlus is easy to use, can reduce phone calls, and save you valuable time.

AXLE SHAFTS BY DIMENSION

Axle Shaft Part Number	Spline Size	Length	Flange Dia.	Bolt Circle	No. of Holes	Hole Size	Hole Type	Body Dia.	Spline Length	Puller Holes	Lube Holes
3202-X-2728	1.38"-12	22.91"	4.75"	3.96"	8	.44"	Taper	1.25"	2.14"	No	No
3202-Z-5044	1.38"-12	29.21"	4.75"	3.96"	8	.44"	Taper	1.25"	2.14"	No	No
3202-B-5046	1.38"-12	30.21"	4.75"	3.96"	8	.44"	Taper	1.25"	2.14"	No	No
3202-Z-6058	1.38"-12	30.71"	4.75"	3.96"	8	.44"	Taper	1.25"	2.14"	No	No
3202-Z-2730	1.38"-12	36.66"	4.75"	3.96"	8	.44"	Taper	1.25"	2.14"	No	No
3206-M-1859	1.58"-37	33.88"	5.18"	4.33"	8	.51"	Straight	1.53"	1.97"	No	No
3206-P-1862	1.58"-37	35.50"	5.18"	4.33"	8	.51"	Straight	1.53"	1.97"	No	No
3206-N-1860	1.58"-37	39.00"	5.18"	4.33"	8	.51"	Straight	1.53"	1.97"	No	No
3206-P-1940	1.58"-37	39.50"	5.18"	4.33"	8	.51"	Straight	1.53"	1.97"	No	No
3206-Q-1863	1.58"-37	40.63"	5.18"	4.33"	8	.51"	Straight	1.53"	1.97"	No	No
3206-R-1942	1.58"-37	44.50"	5.18"	4.33"	8	.51"	Straight	1.53"	1.97"	No	No
3202-R-2722	1.62"-16	40.72"	5.58"	4.75"	8	.44"	Taper	1.44"	1.84"	No	No
3202-G-5623	1.75"-16	33.53"	5.58"	4.75"	8	.44"	Taper	1.57"	2.62"	No	No
3202-B-7516	1.75"-16	36.18"	5.58"	4.75"	8	.44"	Taper	1.57"	2.71"	No	No
3202-H-2686	1.75"-16	36.18"	5.58"	4.75"	8	.44"	Taper	1.57"	2.71"	No	No
3202-S-7819	1.75"-34	16.78"	5.58"	4.75"	8	.44"	Taper	1.57"	2.34"	No	No
3202-H-7860	1.75"-34	19.78"	5.58"	4.75"	8	.44"	Taper	1.57"	2.34"	No	No
3202-J-7862	1.75"-34	20.21"	5.58"	4.75"	8	.44"	Taper	1.57"	2.34"	Yes	No
3202-R-7818	1.75"-34	21.97"	5.58"	4.75"	8	.44"	Taper	1.57"	2.34"	No	No
3202-K-7863	1.75"-34	22.15"	5.58"	4.75"	8	.44"	Taper	1.57"	2.34"	No	No
3202-L-7864	1.75"-34	22.65"	5.58"	4.75"	8	.44"	Taper	1.57"	2.34"	No	No
3202-T-7846	1.75"-34	23.97"	6.13"	5.13"	8	.44"	Taper	1.62"	2.34"	No	No
3202-X-7850	1.75"-34	24.34"	5.58"	4.75"	8	.44"	Taper	1.57"	2.34"	No	No
3202-L-7838	1.75"-34	25.21"	6.13"	5.13"	8	.44"	Taper	1.62"	2.34"	No	No
3202-R-7870	1.75"-34	25.47"	5.58"	4.75"	8	.44"	Taper	1.57"	2.34"	No	No
3202-M-7865	1.75"-34	27.34"	5.58"	4.75"	8	.44"	Taper	1.57"	2.34"	No	No
3202-Y-7851	1.75"-34	28.18"	5.58"	4.75"	8	.44"	Taper	1.57"	2.34"	No	No
3202-R-7844	1.75"-34	28.21"	6.13"	5.13"	8	.44"	Taper	1.62"	2.34"	No	No
3202-Q-7843	1.75"-34	28.43"	6.13"	5.13"	8	.44"	Taper	1.62"	2.34"	No	No
3202-Y-7877	1.75"-34	29.12"	5.58"	4.75"	8	.44"	Taper	1.57"	2.34"	No	No
3202-M-7839	1.75"-34	29.62"	6.13"	5.13"	8	.44"	Taper	1.62"	2.34"	No	No
3202-N-7866	1.75"-34	30.03"	5.58"	4.75"	8	.44"	Taper	1.57"	2.34"	No	No
3202-N-7840	1.75"-34	30.37"	6.13"	5.13"	8	.44"	Taper	1.62"	2.34"	No	No
3202-Z-7852	1.75"-34	30.47"	5.58"	4.75"	8	.44"	Taper	1.57"	2.34"	No	No
3202-A-7853	1.75"-34	31.97"	5.58"	4.75"	8	.44"	Taper	1.57"	2.34"	No	No
3202-S-7845	1.75"-34	32.53"	6.13"	5.13"	8	.44"	Taper	1.62"	2.34"	No	No
3202-B-7854	1.75"-34	33.62"	5.58"	4.75"	8	.44"	Taper	1.57"	2.34"	No	No
3202-C-7855	1.75"-34	34.03"	5.58"	4.75"	8	.44"	Taper	1.57"	2.34"	No	No
3202-Y-9177	1.75"-34	34.32"	5.58"	4.75"	8	.50"	Taper	1.62"	2.34"	No	No
3202-K-7837	1.75"-34	34.93"	6.13"	5.13"	8	.44"	Taper	1.62"	2.34"	No	No
3202-Q-7869	1.75"-34	35.03"	5.58"	4.75"	8	.44"	Taper	1.57"	2.34"	No	No
3202-D-7856	1.75"-34	35.28"	5.58"	4.75"	8	.44"	Taper	1.57"	2.34"	No	No
3202-P-7842	1.75"-34	35.28"	6.13"	5.13"	8	.44"	Taper	1.62"	2.34"	No	No
3202-E-7857	1.75"-34	35.78"	5.58"	4.75"	8	.44"	Taper	1.57"	2.34"	No	No
3202-T-7820	1.75"-34	36.16"	5.58"	4.75"	8	.44"	Taper	1.57"	2.34"	No	No
3202-F-7858	1.75"-34	36.34"	5.58"	4.75"	8	.44"	Taper	1.57"	2.34"	No	No
3206-P-1654	1.75"-34	36.50"	6.23"	5.31"	8	.53"	Taper	1.62"	2.25"	No	No
3202-V-7848	1.75"-34	36.56"	6.13"	5.13"	8	.44"	Taper	1.62"	2.34"	No	No
3202-P-7868	1.75"-34	37.15"	5.58"	4.75"	8	.44"	Taper	1.57"	2.34"	No	No
3202-Q-7817	1.75"-34	37.15"	5.94"	5.00"	8	.44"	Taper	1.62"	2.34"	No	No
3202-V-7796	1.75"-34	37.17"	6.25"	5.25"	12	.51"	Straight	1.62"	7.95"	No	No
3202-J-7836	1.75"-34	37.26"	6.13"	5.13"	8	.44"	Taper	1.62"	2.34"	No	No
3202-F-9002	1.75"-34	37.26"	6.25"	5.31"	8	.50"	Taper	1.62"	2.25"	No	No
3202-W-7849	1.75"-34	37.81"	5.94"	5.00"	8	.44"	Taper	1.62"	2.34"	No	No
3202-W-9175	1.75"-34	37.87"	5.58"	4.75"	8	.44"	Taper	1.62"	8.25"	No	No
3202-P-7816	1.75"-34	38.03"	6.13"	5.13"	8	.44"	Taper	1.62"	2.34"	No	No

AXLE SHAFTS BY DIMENSION

Axle Shaft Part Number	Spline Size	Length	Flange Dia.	Bolt Circle	No. of Holes	Hole Size	Hole Type	Body Dia.	Spline Length	Puller Holes	Lube Holes
3202-Q-8389	1.75"-34	38.12"	6.25"	5.31"	8	.50"	Taper	1.62"	2.34"	No	No
3202-Q-8051	1.75"-34	38.12"	6.25"	5.31"	8	.57"	Taper	1.62"	2.34"	No	No
3202-P-8050	1.75"-34	38.34"	5.72"	4.75"	8	.57"	Taper	1.57"	2.34"	No	No
3202-U-7847	1.75"-34	38.46"	6.13"	5.13"	8	.44"	Taper	1.62"	2.34"	No	No
3206-N-1340	1.75"-34	38.53"	6.23"	5.31"	8	.50"	Taper	1.62"	8.25"	No	No
3202-E-9001	1.75"-34	38.60"	6.25"	5.31"	8	.50"	Taper	1.62"	2.25"	No	No
3202-G-7859	1.75"-34	43.21"	5.58"	4.75"	8	.44"	Taper	1.57"	2.34"	No	No
3202-M-5343	1.77"-19	23.97"	6.13"	5.13"	8	.44"	Taper	1.62"	2.56"	No	No
3202-N-5344	1.77"-19	25.21"	6.13"	5.13"	8	.44"	Taper	1.62"	2.56"	No	No
3202-P-3968	1.77"-19	28.43"	6.13"	5.13"	8	.44"	Taper	1.62"	2.56"	No	No
3202-N-7450	1.77"-19	29.03"	5.58"	4.75"	8	.44"	Taper	1.57"	2.62"	No	No
3202-W-3741	1.77"-19	30.37"	6.13"	5.13"	8	.44"	Taper	1.62"	2.56"	No	No
3202-R-5036	1.77"-19	32.53"	6.13"	5.13"	8	.44"	Taper	1.62"	2.56"	No	No
3202-G-3075	1.77"-19	34.93"	6.13"	5.13"	8	.44"	Taper	1.62"	2.56"	No	No
3202-N-3940	1.77"-19	35.28"	6.13"	5.13"	8	.44"	Taper	1.62"	2.56"	No	No
3202-E-7415	1.77"-19	36.18"	5.58"	4.75"	8	.44"	Taper	1.57"	2.60"	No	No
3202-Z-6604	1.77"-19	37.06"	5.58"	4.75"	8	.44"	Taper	1.57"	2.48"	No	No
3202-W-5197	1.77"-19	37.18"	5.94"	5.00"	8	.44"	Taper	1.62"	2.56"	No	No
3202-B-5228	1.77"-19	38.12"	6.13"	5.13"	8	.44"	Taper	1.62"	2.56"	No	No
3202-V-9382	1.77"-19	38.19"	6.25"	5.22"	6	.64"	Straight	1.62"	2.56"	Yes	No
3202-V-5196	1.77"-19	38.84"	6.44"	5.56"	8	.51"	Straight	1.62"	1.94"	No	No
3202-A-5279	1.77"-19	38.84"	6.44"	5.56"	8	.51"	Straight	1.62"	7.81"	No	No
3202-Q-3553	1.77"-19	44.12"	6.23"	5.31"	8	.50"	Taper	1.62"	2.56"	No	No
3202-B-9050	1.85"-36	37.87"	6.25"	5.25"	12	.50"	Taper	1.75"	2.60"	No	No
3202-P-6100	1.85"-36	38.15"	6.25"	5.31"	8	.50"	Taper	1.75"	2.09"	No	No
3202-Y-9281	1.85"-36	38.21"	6.25"	5.25"	12	.50"	Taper	1.75"	2.60"	No	No
3206-P-1602	1.85"-36	39.78"	8.38"	7.00"	8	.73"	Taper	1.88"	2.13"	No	No
3202-L-8904	1.85"-36	40.28"	6.25"	5.25"	12	.50"	Taper	1.82"	2.00"	No	No
3206-K-1623	1.85"-36	40.63"	8.38"	7.00"	8	.73"	Taper	1.88"	2.13"	No	No
3206-Q-1603	1.85"-36	41.02"	8.38"	7.00"	8	.73"	Taper	1.88"	2.13"	No	No
3202-J-8902	1.85"-36	41.54"	6.25"	5.25"	12	.50"	Taper	1.82"	2.00"	No	No
3206-L-1624	1.85"-36	41.87"	8.38"	7.00"	8	.73"	Taper	1.88"	2.13"	No	No
3202-C-9051	1.85"-36	43.89"	6.25"	5.25"	12	.50"	Taper	1.75"	2.60"	No	No
3202-W-6159	1.88"-20	20.34"	6.25"	5.38"	8	.47"	Taper	1.75"	2.47"	No	No
3202-U-6157	1.88"-20	24.75"	6.25"	5.38"	8	.47"	Taper	1.75"	2.47"	No	No
3202-B-5072	1.88"-20	33.25"	6.25"	5.31"	16	.50"	Taper	1.75"	2.38"	No	No
3202-M-6851	1.88"-20	33.84"	6.25"	5.31"	8	.50"	Taper	1.82"	1.44"	No	No
3202-E-5179	1.88"-20	37.81"	5.94"	5.00"	8	.44"	Taper	1.75"	2.47"	No	No
3202-B-4448	1.88"-20	37.81"	6.25"	5.31"	8	.50"	Taper	1.75"	2.47"	No	No
3202-A-5071	1.88"-20	38.06"	6.25"	5.31"	16	.50"	Taper	1.75"	2.38"	No	No
3202-L-3002	1.88"-20	38.15"	6.25"	5.31"	8	.50"	Taper	1.75"	2.47"	No	No
3202-A-9387	1.88"-20	38.44"	6.25"	5.22"	6	.64"	Straight	1.75"	2.50"	Yes	No
3202-Z-3510	1.88"-20	40.18"	6.43"	5.69"	12	.42"	Taper	1.75"	2.47"	No	No
3202-E-4503	1.88"-20	40.40"	6.25"	5.31"	8	.50"	Taper	1.75"	2.47"	No	No
3202-D-3696	1.88"-20	40.84"	6.25"	5.31"	8	.50"	Taper	1.75"	2.47"	No	No
3202-Q-3007	1.88"-20	43.61"	6.25"	5.31"	8	.50"	Taper	1.75"	2.47"	No	No
3202-P-2746	2.00"-16	34.75"	6.44"	5.69"	12	.65"	Taper	1.94"	1.63"	No	No
3202-M-2743	2.00"-16	46.00"	6.44"	5.69"	12	.65"	Taper	1.94"	1.63"	No	No
3202-S-6311	2.00"-21	33.65"	6.25"	5.31"	16	.50"	Taper	1.88"	2.59"	No	No
3202-W-3351	2.00"-21	33.65"	6.25"	5.31"	8	.50"	Taper	1.88"	2.59"	No	No
3202-R-6388	2.00"-21	35.03"	6.25"	5.31"	16	.50"	Taper	1.88"	2.59"	No	No
3202-G-5077	2.00"-21	36.40"	6.25"	5.31"	16	.50"	Taper	1.88"	2.59"	No	No
3202-P-3812	2.00"-21	37.15"	6.25"	5.31"	8	.50"	Taper	1.88"	2.59"	No	No
3202-H-3908	2.00"-21	37.65"	6.43"	5.69"	12	.42"	Taper	1.88"	2.59"	No	No
3202-E-5075	2.00"-21	38.15"	6.25"	5.31"	16	.50"	Taper	1.88"	2.59"	No	No

AXLE SHAFTS BY DIMENSION

Axle Shaft Part Number	Spline Size	Length	Flange Dia.	Bolt Circle	No. of Holes	Hole Size	Hole Type	Body Dia.	Spline Length	Puller Holes	Lube Holes
3202-A-3303	2.00"-21	38.35"	6.25"	5.31"	8	.50"	Taper	1.88"	2.59"	No	No
3202-F-5076	2.00"-21	39.90"	6.25"	5.31"	16	.50"	Taper	1.88"	2.59"	No	No
3202-X-6472	2.00"-21	40.09"	6.25"	5.25"	12	.50"	Taper	1.88"	2.59"	No	No
3202-G-2971	2.00"-21	40.21"	6.43"	5.69"	12	.42"	Taper	1.88"	2.59"	No	No
3202-N-6020	2.00"-21	40.21"	6.43"	5.69"	12	.42"	Taper	1.88"	2.59"	No	Yes
3202-F-6844	2.00"-21	40.38"	6.63"	5.25"	12	.50"	Taper	1.88"	2.50"	No	No
3202-F-3906	2.00"-21	43.28"	6.43"	5.69"	12	.42"	Taper	1.88"	2.59"	No	No
3202-F-4608	2.00"-21	43.61"	6.25"	5.31"	8	.50"	Taper	1.88"	2.59"	No	No
3202-M-3913	2.00"-21	44.53"	6.43"	5.69"	12	.42"	Taper	1.88"	2.59"	No	No
3202-Y-5017	2.00"-21	48.97"	6.43"	5.69"	12	.42"	Taper	1.88"	2.59"	No	No
3202-U-8705	2.00"-39	32.19"	6.25"	5.31"	16	.50"	Taper	1.88"	3.34"	No	No
3206-P-1732	2.00"-39	33.15"	6.23"	5.31"	16	.53"	Taper	1.88"	3.34"	No	No
3202-M-6747	2.00"-39	33.40"	6.25"	5.31"	16	.50"	Taper	1.88"	3.34"	No	No
3206-Q-1733	2.00"-39	34.00"	6.23"	5.31"	16	.53"	Taper	1.88"	3.34"	No	No
3202-X-6732	2.00"-39	34.15"	6.25"	5.31"	16	.50"	Taper	1.88"	3.34"	No	No
3202-K-6745	2.00"-39	34.15"	6.25"	5.31"	8	.50"	Taper	1.88"	3.34"	No	No
3202-K-8981	2.00"-39	34.40"	6.25"	5.31"	16	.50"	Taper	1.88"	3.34"	No	No
3202-D-6738	2.00"-39	35.53"	6.25"	5.31"	16	.50"	Taper	1.88"	3.34"	No	No
3202-T-8002	2.00"-39	35.53"	6.25"	5.31"	8	.50"	Taper	1.88"	3.34"	No	No
3202-A-9907	2.00"-39	35.71"	8.38"	7.00"	8	.73"	Taper	2.25"	3.34"	No	No
3202-G-8405	2.00"-39	37.15"	6.25"	5.31"	8	.50"	Taper	1.88"	3.34"	No	No
3202-S-9535	2.00"-39	37.22"	6.25"	5.25"	12	.50"	Taper	1.88"	2.88"	No	No
3202-C-9597	2.00"-39	37.45"	6.63"	5.50"	8	.63"	Straight	1.88"	2.88"	No	No
3202-G-9601	2.00"-39	37.51"	6.25"	5.25"	12	.50"	Taper	1.62"	2.88"	No	No
3202-J-8980	2.00"-39	37.53"	6.25"	5.31"	16	.50"	Taper	1.88"	3.34"	No	No
3202-X-9046	2.00"-39	37.63"	6.25"	5.25"	12	.50"	Taper	1.88"	2.88"	No	No
3202-M-9633	2.00"-39	37.78"	6.25"	5.25"	12	.50"	Taper	1.88"	2.88"	No	No
3206-F-1046	2.00"-39	37.92"	6.63"	5.50"	8	.65"	Straight	1.88"	3.25"	No	No
3202-U-9537	2.00"-39	38.01"	6.25"	5.25"	12	.50"	Taper	1.88"	2.88"	No	No
3202-J-8070	2.00"-39	38.15"	6.25"	5.31"	8	.57"	Taper	1.88"	3.34"	No	No
3202-R-8182	2.00"-39	38.21"	6.25"	5.25"	12	.50"	Taper	1.88"	2.69"	No	No
3202-X-7694	2.00"-39	38.28"	6.25"	5.25"	12	.50"	Taper	1.88"	3.34"	No	No
3202-C-8375	2.00"-39	38.30"	6.63"	5.50"	8	.63"	Straight	1.88"	2.69"	No	No
3202-J-6744	2.00"-39	38.31"	6.25"	5.31"	8	.50"	Taper	1.88"	3.34"	No	No
3202-W-9539	2.00"-39	38.50"	6.25"	5.25"	12	.50"	Taper	1.88"	2.88"	No	No
3206-G-1047	2.00"-39	38.54"	6.23"	5.25"	12	.50"	Taper	1.88"	3.25"	No	No
3202-Z-6734	2.00"-39	38.65"	6.25"	5.31"	16	.50"	Taper	1.88"	3.34"	No	No
3202-D-6712	2.00"-39	38.75"	6.25"	5.31"	8	.50"	Taper	1.88"	3.34"	No	No
3202-S-7975	2.00"-39	38.75"	6.25"	5.31"	8	.50"	Taper	1.88"	3.34"	No	No
3202-Y-9541	2.00"-39	39.29"	6.25"	5.25"	12	.50"	Taper	1.88"	2.88"	No	No
3202-M-8983	2.00"-39	39.74"	6.25"	5.25"	12	.50"	Taper	1.88"	3.34"	No	No
3202-Q-8935	2.00"-39	40.15"	8.38"	7.00"	8	.73"	Taper	1.94"	2.36"	No	No
3202-Y-8501	2.00"-39	40.71"	6.25"	5.25"	12	.50"	Taper	1.88"	3.34"	No	No
3202-F-7572	2.00"-39	40.84"	6.25"	5.25"	12	.50"	Taper	1.88"	3.34"	No	No
3202-T-9796	2.00"-39	40.90"	6.23"	5.25"	12	.50"	Taper	1.88"	2.88"	No	No
3202-W-8915	2.00"-39	40.91"	8.38"	7.00"	8	.73"	Taper	1.94"	2.48"	No	No
3202-P-9636	2.00"-39	42.03"	6.25"	5.25"	12	.50"	Taper	1.88"	2.88"	No	No
3202-Q-8181	2.00"-39	42.21"	6.25"	5.25"	12	.50"	Taper	1.88"	2.69"	No	No
3202-B-8374	2.00"-39	42.30"	6.63"	5.50"	8	.63"	Straight	1.88"	2.69"	No	No
3202-H-6742	2.00"-39	42.34"	6.25"	5.31"	8	.50"	Taper	1.88"	3.34"	No	No
3202-E-9599	2.00"-39	43.36"	6.43"	5.50"	8	.63"	Straight	1.88"	2.88"	No	No
3202-W-7693	2.00"-39	43.40"	6.25"	5.25"	12	.50"	Taper	1.88"	3.34"	No	No
3202-Y-9047	2.00"-39	43.54"	6.25"	5.25"	12	.50"	Taper	1.88"	2.88"	No	No
3206-X-1064	2.00"-39	43.83"	6.25"	5.50"	8	.65"	Straight	1.88"	3.25"	No	No
3206-Y-1065	2.00"-39	44.45"	6.23"	5.25"	12	.50"	Taper	1.88"	3.25"	No	No

AXLE SHAFTS BY DIMENSION

Axle Shaft Part Number	Spline Size	Length	Flange Dia.	Bolt Circle	No. of Holes	Hole Size	Hole Type	Body Dia.	Spline Length	Puller Holes	Lube Holes
3202-G-7781	2.00"-39	46.09"	6.25"	5.31"	8	.50"	Taper	1.88"	3.34"	No	No
3202-P-9532	2.00"-39	46.69"	6.25"	5.25"	12	.50"	Taper	1.88"	3.34"	No	No
3202-M-9529	2.00"-39	47.75"	6.25"	5.25"	12	.50"	Taper	1.88"	3.34"	No	No
3202-V-8368	2.00"-39	48.53"	6.25"	5.25"	12	.50"	Taper	1.88"	3.34"	No	No
3202-Q-9845	2.10"-41	34.76"	8.38"	7.00"	8	.73"	Taper	2.00"	2.88"	No	No
3206-B-1562	2.10"-41	34.87"	8.38"	7.00"	8	.73"	Taper	2.00"	8.12"	No	No
3202-S-9847	2.10"-41	35.60"	8.38"	7.00"	8	.73"	Taper	2.00"	8.12"	No	No
3206-C-1563	2.10"-41	35.70"	8.38"	7.00"	8	.73"	Taper	2.00"	2.88"	No	No
3206-F-1748	2.10"-41	35.75"	8.38"	7.00"	8	.73"	Taper	1.88"	2.88"		
3206-M-1885	2.10"-41	35.86"	7.93"	6.75"	12	.59"	Taper	1.88"	2.88"		
3206-E-1565	2.10"-41	36.40"	8.38"	7.00"	8	.73"	Taper	1.88"	2.88"	No	No
3206-J-1570	2.10"-41	36.40"	8.38"	7.00"	8	.73"	Taper	2.00"	2.88"	No	No
3206-X-1480	2.10"-41	37.06"	8.38"	7.00"	8	.64"	Straight	1.88"	2.88"	No	No
3206-Z-1482	2.10"-41	37.06"	8.38"	7.00"	8	.64"	Straight	2.00"	2.88"	No	No
3206-J-1050	2.10"-41	37.06"	8.38"	7.00"	8	.73"	Taper	2.00"	3.25"	No	No
3206-W-1349	2.10"-41	37.06"	8.38"	7.00"	8	.78"	Straight	1.88"	2.88"	No	No
3202-V-9486	2.10"-41	37.18"	8.38"	7.00"	8	.64"	Straight	2.00"	2.88"	No	No
3202-F-9340	2.10"-41	37.18"	8.38"	7.00"	8	.73"	Taper	2.00"	2.88"	No	No
3202-Q-9117	2.10"-41	37.18"	8.38"	7.00"	8	.78"	Straight	2.00"	2.88"	No	No
3202-Z-7982	2.10"-41	37.37"	8.38"	7.00"	8	.78"	Straight	2.00"	2.62"	No	No
3202-C-4553	2.10"-41	37.60"	7.50"	6.50"	12	.62"	Both	2.00"	2.62"	No	No
3206-T-1346	2.10"-41	37.92"	8.38"	7.00"	8	.64"	Straight	1.88"	2.88"	No	No
3206-N-1054	2.10"-41	37.92"	8.38"	7.00"	8	.64"	Straight	2.00"	3.25"	No	No
3206-Q-1343	2.10"-41	37.92"	8.38"	7.00"	8	.73"	Taper	1.88"	2.88"	No	No
3206-M-1053	2.10"-41	37.92"	8.38"	7.00"	8	.73"	Taper	2.00"	3.25"	No	No
3202-S-9483	2.10"-41	38.04"	8.38"	7.00"	8	.64"	Straight	2.00"	2.88"	No	No
3202-S-9041	2.10"-41	38.04"	8.38"	7.00"	8	.73"	Taper	2.00"	2.88"	No	No
3202-H-9628	2.10"-41	38.14"	8.38"	7.00"	8	.73"	Taper	2.00"	2.88"	No	No
3202-L-6356	2.10"-41	38.29"	8.38"	7.00"	8	.73"	Taper	2.00"	2.62"	No	No
3202-A-9101	2.10"-41	38.32"	8.38"	7.00"	8	.64"	Straight	2.00"	2.62"	No	No
3202-Z-8268	2.10"-41	38.62"	8.38"	7.00"	8	.73"	Taper	2.00"	2.62"	No	No
3202-B-9388	2.10"-41	38.68"	8.38"	7.00"	8	.73"	Taper	2.00"	2.88"	No	No
3206-P-1498	2.10"-41	39.75"	8.38"	7.00"	8	.73"	Taper	2.00"	2.88"	No	No
3206-F-1488	2.10"-41	39.88"	8.38"	7.00"	8	.64"	Straight	2.00"	2.88"	No	No
3206-C-1485	2.10"-41	39.88"	8.38"	7.00"	8	.73"	Taper	2.00"	2.88"	No	No
3202-Z-8788	2.10"-41	40.18"	8.38"	7.00"	8	.73"	Taper	2.00"	2.62"	No	No
3202-S-8937	2.10"-41	40.45"	8.38"	7.00"	8	.73"	Taper	2.00"	2.36"	No	No
3202-C-9181	2.10"-41	40.60"	8.38"	7.00"	8	.73"	Taper	2.00"	2.62"	No	No
3202-P-8362	2.10"-41	40.68"	8.38"	7.00"	8	.73"	Taper	2.00"	2.62"	No	No
3206-R-1058	2.10"-41	40.73"	8.38"	7.00"	8	.64"	Straight	2.00"	3.25"	No	No
3202-W-9461	2.10"-41	40.73"	8.38"	7.00"	8	.64"	Straight	2.00"	2.88"	No	No
3206-Q-1057	2.10"-41	40.73"	8.38"	7.00"	8	.73"	Taper	2.00"	3.25"	No	No
3202-N-9608	2.10"-41	40.85"	8.38"	7.00"	8	.73"	Taper	2.00"	2.88"	No	No
3202-Y-8917	2.10"-41	41.29"	8.38"	7.00"	8	.73"	Taper	2.00"	2.36"	No	No
3202-E-9183	2.10"-41	41.43"	8.38"	7.00"	8	.73"	Taper	2.00"	2.62"	No	No
3206-X-1740	2.10"-41	41.49"	8.38"	7.00"	8	.73"	Taper	2.00"	2.88"		
3202-Q-6361	2.10"-41	41.49"	8.38"	7.00"	8	.73"	Taper	2.00"	2.62"	No	No
3202-B-7984	2.10"-41	41.49"	8.38"	7.00"	8	.78"	Straight	2.00"	2.62"	No	No
3202-E-9105	2.10"-41	41.52"	8.38"	7.00"	8	.64"	Straight	2.00"	2.62"	No	No
3206-G-1749	2.10"-41	41.70"	8.38"	7.00"	8	.73"	Taper	1.88"	2.88"		
3202-E-4555	2.10"-41	41.72"	7.50"	6.50"	12	.62"	Both	2.00"	2.62"	No	No
3206-P-1888	2.10"-41	41.75"	7.93"	6.75"	12	.59"	Taper	1.88"	2.88"		
3206-G-1567	2.10"-41	42.35"	8.38"	7.00"	8	.73"	Taper	1.88"	2.88"	No	No
3206-L-1572	2.10"-41	42.35"	8.38"	7.00"	8	.73"	Taper	2.00"	2.88"	No	No
3206-N-1574	2.10"-41	42.35"	8.38"	7.00"	8	.73"	Taper	2.00"	8.12"	No	No

AXLE SHAFTS BY DIMENSION

Axle Shaft Part Number	Spline Size	Length	Flange Dia.	Bolt Circle	No. of Holes	Hole Size	Hole Type	Body Dia.	Spline Length	Puller Holes	Lube Holes
3202-N-6358	2.10"-41	42.41"	8.38"	7.00"	8	.73"	Taper	2.00"	2.62"	No	No
3202-K-9631	2.10"-41	42.43"	8.38"	7.00"	8	.73"	Taper	2.00"	2.88"	No	No
3202-C-9103	2.10"-41	42.44"	8.38"	7.00"	8	.64"	Straight	2.00"	2.62"	No	No
3202-S-8651	2.10"-41	42.84"	7.50"	6.50"	12	.62"	Both	2.00"	3.34"	No	No
3206-Y-1481	2.10"-41	43.01"	8.38"	7.00"	8	.64"	Straight	1.88"	2.88"	No	No
3206-B-1484	2.10"-41	43.01"	8.38"	7.00"	8	.64"	Straight	2.00"	8.12"	No	No
3206-A-1483	2.10"-41	43.01"	8.38"	7.00"	8	.64"	Straight	2.00"	2.88"	No	No
3206-A-1353	2.10"-41	43.01"	8.38"	7.00"	8	.73"	Taper	1.88"	2.88"	No	No
3206-A-1067	2.10"-41	43.01"	8.38"	7.00"	8	.73"	Taper	2.00"	3.25"	No	No
3206-Y-1351	2.10"-41	43.01"	8.38"	7.00"	8	.78"	Straight	1.88"	2.88"	No	No
3206-B-1068	2.10"-41	43.01"	8.38"	7.00"	8	.78"	Straight	2.00"	3.25"	No	No
3202-X-9488	2.10"-41	43.13"	8.38"	7.00"	8	.64"	Straight	2.00"	8.12"	No	No
3202-W-9487	2.10"-41	43.13"	8.38"	7.00"	8	.64"	Straight	2.00"	2.88"	No	No
3202-H-9342	2.10"-41	43.13"	8.38"	7.00"	8	.73"	Taper	2.00"	8.12"	No	No
3202-G-9341	2.10"-41	43.13"	8.38"	7.00"	8	.73"	Taper	2.00"	2.88"	No	No
3202-R-9118	2.10"-41	43.13"	8.38"	7.00"	8	.78"	Straight	2.00"	2.88"	No	No
3202-S-9119	2.10"-41	43.13"	8.38"	7.00"	8	.78"	Straight	2.00"	8.12"	No	No
3202-U-9173	2.10"-41	43.43"	8.38"	7.00"	8	.73"	Taper	2.00"	2.62"	No	No
3202-U-9043	2.10"-41	43.80"	8.38"	7.00"	8	.73"	Taper	2.00"	8.12"	No	No
3206-U-1347	2.10"-41	43.87"	8.38"	7.00"	8	.64"	Straight	1.88"	2.88"	No	No
3206-E-1071	2.10"-41	43.87"	8.38"	7.00"	8	.64"	Taper	2.00"	3.25"	No	No
3206-S-1345	2.10"-41	43.87"	8.38"	7.00"	8	.73"	Taper	1.88"	2.88"	No	No
3206-D-1070	2.10"-41	43.87"	8.38"	7.00"	8	.73"	Taper	2.00"	3.25"	No	No
3202-Q-8649	2.10"-41	43.91"	7.50"	6.50"	12	.62"	Both	2.00"	3.34"	No	No
3202-T-9484	2.10"-41	43.99"	8.38"	7.00"	8	.64"	Straight	2.00"	2.88"	No	No
3202-T-9042	2.10"-41	43.99"	8.38"	7.00"	8	.73"	Taper	2.00"	2.88"	No	No
3202-U-9485	2.10"-41	44.00"	8.38"	7.00"	8	.64"	Straight	2.00"	8.12"	No	No
3206-Q-1655	2.10"-41	44.25"	8.38"	7.00"	8	.73"	Taper	2.00"	2.88"	No	No
3202-B-8270	2.10"-41	44.50"	8.38"	7.00"	8	.73"	Taper	2.00"	2.62"	No	No
3202-C-9389	2.10"-41	44.63"	8.38"	7.00"	8	.73"	Taper	2.00"	2.88"	No	No
3202-D-9390	2.10"-41	44.63"	8.38"	7.00"	8	.73"	Taper	2.00"	8.12"	No	No
3202-S-6363	2.10"-41	45.59"	8.38"	7.00"	8	.73"	Taper	2.00"	2.62"	No	No
3202-G-9107	2.10"-41	45.62"	8.38"	7.00"	8	.64"	Straight	2.00"	2.62"	No	No
3206-H-1490	2.10"-41	45.82"	8.38"	7.00"	8	.64"	Straight	2.00"	8.12"	No	No
3206-G-1489	2.10"-41	45.82"	8.38"	7.00"	8	.64"	Straight	2.00"	2.88"	No	No
3206-E-1487	2.10"-41	45.82"	8.38"	7.00"	8	.73"	Taper	2.00"	8.12"	No	No
3206-D-1486	2.10"-41	45.82"	8.38"	7.00"	8	.73"	Taper	2.00"	2.88"	No	No
3206-H-1074	2.10"-41	46.68"	8.38"	7.00"	8	.64"	Straight	2.00"	3.25"	No	No
3206-G-1073	2.10"-41	46.68"	8.38"	7.00"	8	.73"	Taper	2.00"	3.25"	No	No
3202-Y-9463	2.10"-41	46.80"	8.38"	7.00"	8	.64"	Straight	2.00"	2.88"	No	No
3202-R-9638	2.10"-41	46.80"	8.38"	7.00"	8	.64"	Straight	2.00"	8.12"	No	No
3202-S-9613	2.10"-41	46.80"	8.38"	7.00"	8	.73"	Taper	2.00"	8.12"	No	No
3202-Q-9611	2.10"-41	46.80"	8.38"	7.00"	8	.73"	Taper	2.00"	2.88"	No	No
3202-L-2872	2.12"-16	34.81"	8.38"	7.00"	8	.73"	Taper	2.00"	1.94"	No	No
3202-Q-2877	2.12"-16	37.03"	7.50"	6.50"	12	.62"	Both	1.94"	1.94"	No	No
3202-H-2738	2.12"-16	39.44"	7.50"	6.50"	12	.62"	Both	1.94"	2.72"	No	No
3202-B-2082	2.12"-16	39.87"	7.50"	6.50"	12	.62"	Both	1.94"	2.72"	No	No
3202-J-2610	2.12"-16	41.06"	8.63"	7.63"	10	.51"	Straight	1.94"	1.87"	No	No
3202-S-6441	2.12"-16	41.06"	8.63"	7.63"	20	.50"	Straight	1.94"	1.88"	No	No
3202-B-3876	2.12"-16	42.56"	8.38"	7.00"	8	.92"	Taper	1.88"	2.22"	No	No
3202-D-2656	2.12"-16	44.00"	8.63"	7.63"	10	.51"	Straight	1.94"	1.87"	No	No
3202-E-6609	2.12"-16	45.78"	7.50"	6.50"	12	.62"	Both	1.94"	1.94"	No	No
3202-Z-3250	2.12"-22	37.12"	7.50"	6.50"	12	.62"	Both	2.00"	2.71"	No	No
3202-L-6564	2.12"-22	39.15"	8.38"	7.00"	8	.76"	Straight	2.00"	2.71"	No	No
3202-X-7980	2.12"-22	39.57"	8.38"	7.00"	8	.78"	Straight	2.00"	2.71"	No	No

AXLE SHAFTS BY DIMENSION

Axle Shaft Part Number	Spline Size	Length	Flange Dia.	Bolt Circle	No. of Holes	Hole Size	Hole Type	Body Dia.	Spline Length	Puller Holes	Lube Holes
3202-J-5184	2.12"-22	39.87"	7.50"	6.50"	12	.62"	Both	2.00"	2.71"	No	Yes
3202-S-2983	2.12"-22	39.87"	7.50"	6.50"	12	.62"	Both	2.00"	2.71"	No	No
3202-U-2985	2.12"-22	40.21"	7.50"	6.50"	12	.62"	Both	2.00"	2.71"	No	No
3202-R-3268	2.12"-22	40.47"	8.38"	7.00"	8	.73"	Taper	2.00"	2.71"	No	No
3202-F-7494	2.12"-22	40.47"	8.38"	7.00"	8	.73"	Taper	2.00"	2.71"	No	Yes
3202-H-6430	2.12"-22	41.06"	8.63"	7.63"	10	.52"	Straight	1.94"	1.63"	No	No
3202-F-4920	2.12"-22	42.08"	8.63"	7.63"	10	.51"	Straight	1.94"	1.63"	No	No
3202-M-8021	2.12"-22	42.72"	8.38"	7.00"	8	.78"	Straight	2.00"	2.71"	No	No
3202-K-5185	2.12"-22	43.15"	7.50"	6.50"	12	.62"	Both	2.00"	2.71"	No	Yes
3202-H-4922	2.12"-22	43.32"	8.63"	7.63"	10	.51"	Straight	1.94"	1.63"	No	No
3202-W-5899	2.12"-22	43.50"	8.38"	7.00"	8	.73"	Taper	2.00"	2.71"	No	No
3202-W-2987	2.12"-22	49.75"	7.50"	6.50"	12	.62"	Both	2.00"	2.71"	No	No
3202-P-5008	2.25"-23	34.07"	8.38"	7.25"	10	.61"	Both	2.12"	3.03"	Yes	No
3202-G-3335	2.25"-23	34.47"	8.38"	7.00"	8	.73"	Taper	2.12"	3.03"	No	No
3202-T-2958	2.25"-23	35.31"	8.38"	7.00"	8	.73"	Taper	2.12"	3.03"	No	No
3202-F-7234	2.25"-23	35.31"	8.38"	7.00"	8	.73"	Taper	2.12"	3.03"	No	Yes
3202-N-6072	2.25"-23	36.00"	8.38"	7.00"	8	.73"	Taper	2.12"	3.03"	Yes	No
3202-R-5868	2.25"-23	36.65"	8.38"	7.00"	8	.73"	Taper	2.12"	3.03"	No	Yes
3202-N-5968	2.25"-23	37.84"	8.38"	7.00"	8	.73"	Taper	2.12"	3.03"	No	Yes
3202-A-3459	2.25"-23	38.40"	8.38"	7.00"	8	.73"	Taper	2.12"	3.03"	No	No
3202-V-6574	2.25"-23	38.40"	8.38"	7.00"	8	.73"	Taper	2.12"	3.03"	No	Yes
3202-V-9876	2.25"-23	39.59"	8.38"	7.25"	10	.61"	Taper	2.12"	3.03"	Yes	No
3202-J-3572	2.25"-23	40.03"	8.38"	7.00"	8	.73"	Taper	2.12"	3.03"	No	No
3202-T-5870	2.25"-23	40.03"	8.38"	7.00"	8	.73"	Taper	2.12"	3.03"	No	Yes
3202-K-3365	2.25"-23	40.90"	8.38"	7.00"	8	.73"	Taper	2.12"	3.03"	No	No
3202-U-5871	2.25"-23	41.77"	8.38"	7.00"	8	.73"	Taper	2.12"	3.03"	No	Yes
3202-L-3574	2.25"-23	41.77"	8.38"	7.00"	8	.73"	Taper	2.12"	3.03"	No	No
3202-Z-8580	2.25"-23	42.59"	8.38"	7.25"	10	.61"	Both	2.12"	3.03"	Yes	Yes
3202-W-3039	2.25"-23	43.34"	8.38"	7.00"	8	.73"	Taper	2.12"	3.03"	No	No
3202-M-5967	2.25"-23	43.34"	8.38"	7.00"	8	.73"	Taper	2.12"	3.03"	No	Yes
3202-V-9902	2.25"-23	44.71"	8.38"	7.00"	8	.73"	Taper	2.00"	3.03"	Yes	No
3202-W-9877	2.25"-23	45.11"	8.38"	7.25"	10	.61"	Taper	2.00"	3.03"	Yes	Yes
3202-N-5006	2.25"-23	45.11"	8.38"	7.25"	10	.61"	Both	2.12"	3.03"	Yes	No
3202-S-5869	2.25"-23	45.15"	8.38"	7.00"	8	.73"	Taper	2.12"	3.03"	No	Yes
3202-J-3338	2.25"-23	45.47"	8.38"	7.00"	8	.73"	Taper	2.12"	3.03"	No	No
3202-U-2959	2.25"-23	46.56"	8.38"	7.00"	8	.73"	Taper	2.12"	3.03"	No	No
3202-G-7235	2.25"-23	46.56"	8.38"	7.00"	8	.73"	Taper	2.12"	3.03"	No	Yes
3202-P-6074	2.25"-23	47.00"	8.38"	7.00"	8	.73"	Taper	2.12"	3.03"	Yes	No
3202-Z-5408	2.25"-23	48.80"	8.38"	7.00"	8	.73"	Taper	2.12"	3.03"	No	No
3202-K-7447	2.25"-23	49.00"	8.38"	7.00"	8	.73"	Taper	2.12"	2.06"	No	No
3202-E-3359	2.25"-23	50.56"	8.38"	7.00"	8	.73"	Taper	2.12"	3.03"	Yes	No
3202-E-4451	2.25"-23	52.21"	8.38"	7.00"	8	.73"	Taper	2.12"	3.03"	No	No
3202-K-6771	2.35"-46	34.75"	8.38"	7.00"	8	.73"	Taper	2.25"	3.03"	No	No
3202-T-6780	2.35"-46	34.87"	8.38"	7.00"	8	.73"	Taper	2.12"	3.03"	No	No
3206-D-1590	2.35"-46	35.91"	8.38"	7.00"	8	.73"	Taper	2.25"	3.03"	No	No
3202-J-9344	2.35"-46	36.57"	8.38"	7.00"	8	.73"	Taper	2.25"	3.03"	No	No
3202-Y-9125	2.35"-46	36.57"	8.38"	7.00"	8	.78"	Straight	2.25"	3.03"	No	No
3202-R-9274	2.35"-46	36.57"	8.38"	7.00"	8	.78"	Straight	2.25"	3.03"	No	Yes
3206-G-1593	2.35"-46	37.12"	8.38"	7.00"	8	.73"	Taper	2.25"	3.03"	No	No
3202-F-6766	2.35"-46	37.18"	8.38"	7.00"	8	.73"	Taper	2.25"	3.03"	No	Yes
3202-G-9393	2.35"-46	37.31"	8.38"	7.00"	8	.73"	Taper	2.25"	3.03"	No	No
3202-Y-9489	2.35"-46	37.44"	8.38"	7.00"	8	.64"	Straight	2.25"	3.03"	No	No
3206-X-1532	2.35"-46	37.44"	8.38"	7.00"	8	.73"	Taper	2.00"	3.03"	No	No
3202-Q-8805	2.35"-46	37.44"	8.38"	7.00"	8	.73"	Taper	2.25"	3.03"	No	No
3202-N-9270	2.35"-46	37.44"	8.38"	7.00"	8	.73"	Taper	2.25"	3.03"	No	Yes

AXLE SHAFTS BY DIMENSION

Axle Shaft Part Number	Spline Size	Length	Flange Dia.	Bolt Circle	No. of Holes	Hole Size	Hole Type	Body Dia.	Spline Length	Puller Holes	Lube Holes
3206-T-1502	2.35"-46	37.78"	8.38"	7.00"	8	.64"	Straight	2.25"	3.03"	No	No
3202-E-9391	2.35"-46	37.78"	8.38"	7.00"	8	.73"	Taper	2.25"	3.03"	No	No
3202-W-9643	2.35"-46	37.78"	8.38"	7.00"	8	.73"	Taper	2.25"	3.03"	No	Yes
3202-H-9160	2.35"-46	37.78"	8.38"	7.00"	8	.78"	Straight	2.25"	3.03"	No	Yes
3202-W-9149	2.35"-46	37.78"	8.38"	7.00"	8	.78"	Straight	2.25"	3.03"	No	No
3206-T-1060	2.35"-46	37.87"	8.38"	7.00"	8	.73"	Taper	2.00"	3.03"	No	No
3202-U-6781	2.35"-46	37.87"	8.38"	7.00"	8	.73"	Taper	2.12"	3.03"	No	No
3202-W-7745	2.35"-46	38.56"	8.38"	7.00"	8	.73"	Taper	2.25"	3.03"	No	No
3202-E-9495	2.35"-46	38.56"	8.38"	7.00"	8	.78"	Straight	2.25"	3.03"	No	No
3202-Y-9853	2.35"-46	38.62"	8.38"	7.25"	10	.67"	Taper	2.25"	3.03"	Yes	Yes
3202-M-9893	2.35"-46	38.62"	8.38"	7.25"	10	.67"	Taper	2.25"	3.03"	Yes	No
3202-J-9370	2.35"-46	38.75"	8.38"	7.00"	8	.73"	Taper	2.25"	3.03"	No	No
3202-V-6782	2.35"-46	39.12"	8.38"	7.00"	8	.73"	Taper	2.12"	3.03"	No	No
3202-R-6778	2.35"-46	39.22"	8.38"	7.00"	8	.73"	Taper	2.25"	3.03"	No	No
3202-A-9127	2.35"-46	39.44"	8.38"	7.00"	8	.78"	Straight	2.25"	3.03"	No	No
3206-J-1492	2.35"-46	39.45"	8.38"	7.00"	8	.64"	Straight	2.25"	3.03"	No	No
3202-Y-8683	2.35"-46	39.59"	8.38"	7.00"	8	.73"	Taper	2.25"	3.03"	No	No
3206-W-1921	2.35"-46	39.59"	8.38"	7.00"	8	.73"	Taper	2.25"	3.03"	Yes	No
3202-Z-8112	2.35"-46	39.96"	8.38"	7.00"	8	.73"	Taper	2.25"	3.03"	No	No
3206-B-1536	2.35"-46	40.00"	8.38"	7.00"	8	.73"	Taper	2.25"	3.03"	No	Yes
3202-L-9398	2.35"-46	40.12"	8.38"	7.00"	8	.73"	Taper	2.25"	3.03"	No	No
3202-E-9573	2.35"-46	40.31"	8.38"	7.00"	8	.64"	Straight	2.25"	3.03"	No	No
3202-H-9004	2.35"-46	40.31"	8.38"	7.00"	8	.73"	Taper	2.25"	3.03"	No	No
3202-Q-6777	2.35"-46	40.47"	8.38"	7.00"	8	.73"	Taper	2.25"	3.03"	No	No
3202-N-9894	2.35"-46	40.49"	8.38"	7.25"	10	.67"	Taper	2.25"	3.03"	Yes	No
3202-Z-9854	2.35"-46	40.49"	8.38"	7.25"	10	.67"	Taper	2.25"	3.03"	Yes	Yes
3206-W-1505	2.35"-46	40.52"	8.38"	7.00"	8	.73"	Taper	2.25"	3.03"	No	No
3202-U-9823	2.35"-46	40.62"	8.38"	7.00"	8	.73"	Taper	2.25"	3.03"	No	No
3206-U-1061	2.35"-46	40.65"	8.38"	7.00"	8	.73"	Taper	2.00"	3.03"	No	No
3206-U-1841	2.35"-46	40.65"	8.38"	7.25"	10	.67"	Taper	2.25"	3.03"	Yes	No
3206-Q-1499	2.35"-46	40.72"	8.38"	7.00"	8	.73"	Taper	2.25"	3.03"	No	No
3206-P-1758	2.35"-46	40.87"	8.38"	7.00"	8	.73"	Taper	2.25"	3.03"	No	Yes
3206-S-1501	2.35"-46	40.88"	8.38"	7.00"	8	.73"	Taper	2.25"	9.14"	No	No
3202-F-9496	2.35"-46	41.03"	8.38"	7.00"	8	.78"	Straight	2.25"	3.03"	No	No
3202-H-6768	2.35"-46	41.06"	8.38"	7.00"	8	.73"	Taper	2.25"	3.03"	No	No
3206-K-1597	2.35"-46	41.19"	8.38"	7.00"	8	.64"	Taper	2.25"	9.14"	No	No
3206-A-1535	2.35"-46	41.46"	8.38"	7.00"	8	.73"	Taper	2.25"	3.03"	No	No
3206-D-1538	2.35"-46	41.46"	8.38"	7.00"	8	.73"	Taper	2.25"	9.14"	No	No
3202-H-9498	2.35"-46	41.56"	8.38"	7.00"	8	.78"	Straight	2.25"	3.03"	No	No
3202-P-8804	2.35"-46	41.57"	8.38"	7.00"	8	.78"	Taper	2.25"	3.03"	No	No
3202-Z-8684	2.35"-46	41.59"	8.38"	7.00"	8	.73"	Taper	2.25"	3.03"	No	No
3206-H-1594	2.35"-46	41.60"	8.38"	7.00"	8	.73"	Taper	2.25"	3.03"	No	No
3202-A-9855	2.35"-46	41.65"	8.38"	7.25"	10	.67"	Taper	2.25"	3.03"	Yes	Yes
3202-P-9896	2.35"-46	41.65"	8.38"	7.25"	10	.67"	Taper	2.25"	3.03"	Yes	No
3202-P-9896S	2.35"-46	41.65"	8.38"	7.25"	10	.67"	Taper	2.25"	3.03"	Yes	No
3206-U-1503	2.35"-46	41.72"	8.38"	7.00"	8	.64"	Straight	2.25"	3.03"	No	No
3202-X-9644	2.35"-46	41.72"	8.38"	7.00"	8	.73"	Taper	2.25"	3.03"	No	Yes
3202-S-6779	2.35"-46	41.72"	8.38"	7.00"	8	.73"	Taper	2.25"	3.03"	No	No
3202-G-9159	2.35"-46	41.72"	8.38"	7.00"	8	.78"	Straight	2.25"	3.03"	No	No
3202-J-9162	2.35"-46	41.72"	8.38"	7.00"	8	.78"	Straight	2.25"	3.03"	No	Yes
3202-A-8815	2.35"-46	41.73"	8.38"	7.00"	8	.78"	Straight	2.25"	9.14"	No	No
3206-V-1504	2.35"-46	41.85"	8.38"	7.00"	8	.64"	Straight	2.25"	9.14"	No	No
3202-F-9392	2.35"-46	41.85"	8.38"	7.00"	8	.73"	Taper	2.25"	9.14"	No	No
3202-V-9148	2.35"-46	41.85"	8.38"	7.00"	8	.78"	Straight	2.25"	9.14"	No	No
3202-K-9163	2.35"-46	41.85"	8.38"	7.00"	8	.78"	Straight	2.25"	9.14"	No	Yes

AXLE SHAFTS BY DIMENSION

Axle Shaft Part Number	Spline Size	Length	Flange Dia.	Bolt Circle	No. of Holes	Hole Size	Hole Type	Body Dia.	Spline Length	Puller Holes	Lube Holes
3206-C-1537	2.35"-46	42.00"	8.38"	7.00"	8	.73"	Taper	2.25"	3.03"	No	Yes
3206-E-1591	2.35"-46	42.25"	8.38"	7.00"	8	.73"	Taper	2.25"	3.03"	No	No
3202-K-9501	2.35"-46	42.30"	8.38"	7.00"	8	.73"	Taper	2.25"	3.03"	No	No
3206-F-1592	2.35"-46	42.41"	8.38"	7.00"	8	.73"	Taper	2.25"	9.14"	No	No
3202-Y-8111	2.35"-46	42.56"	8.38"	7.00"	8	.73"	Taper	2.25"	3.03"	No	No
3202-D-9156	2.35"-46	42.56"	8.38"	7.00"	8	.73"	Taper	2.25"	3.03"	No	Yes
3202-H-8666	2.35"-46	42.72"	8.38"	7.00"	8	.73"	Taper	2.25"	9.14"	No	No
3206-Q-1759	2.35"-46	42.87"	8.38"	7.00"	8	.73"	Taper	2.25"	3.03"	No	Yes
3202-K-9345	2.35"-46	42.91"	8.38"	7.00"	8	.73"	Taper	2.25"	3.03"	No	No
3202-S-9275	2.35"-46	42.91"	8.38"	7.00"	8	.78"	Straight	2.25"	3.03"	No	Yes
3202-Z-9126	2.35"-46	42.91"	8.38"	7.00"	8	.78"	Straight	2.25"	3.03"	No	No
3202-J-9552	2.35"-46	43.01"	8.38"	7.00"	8	.73"	Taper	2.25"	3.03"	No	No
3202-J-9396	2.35"-46	43.01"	8.38"	7.00"	8	.78"	Straight	2.25"	3.03"	No	No
3202-L-9346	2.35"-46	43.07"	8.38"	7.00"	8	.73"	Taper	2.25"	9.14"	No	No
3202-C-9129	2.35"-46	43.07"	8.38"	7.00"	8	.78"	Straight	2.25"	9.14"	No	No
3202-T-9276	2.35"-46	43.07"	8.38"	7.00"	8	.78"	Straight	2.25"	9.14"	No	Yes
3206-R-1604	2.35"-46	43.22"	8.38"	7.00"	8	.73"	Taper	2.25"	9.14"	No	No
3206-U-1529	2.35"-46	43.22"	8.38"	7.00"	8	.73"	Taper	2.25"	3.03"	No	No
3202-X-8110	2.35"-46	43.40"	8.38"	7.00"	8	.73"	Taper	2.25"	3.03"	No	No
3202-B-9856	2.35"-46	43.50"	8.38"	7.00"	10	.67"	Taper	2.25"	3.03"	Yes	Yes
3202-Q-9897S	2.35"-46	43.50"	8.38"	7.25"	10	.67"	Taper	2.25"	3.03"	Yes	No
3202-Q-9897	2.35"-46	43.50"	8.38"	7.25"	10	.67"	Taper	2.25"	3.03"	Yes	No
3202-X-9826	2.35"-46	43.62"	8.38"	7.00"	8	.73"	Taper	2.25"	3.03"	No	No
3206-C-1589	2.35"-46	43.66"	8.38"	7.25"	10	.67"	Taper	2.25"	9.14"	Yes	Yes
3202-P-9272	2.35"-46	43.78"	8.38"	7.00"	8	.73"	Taper	2.25"	3.03"	No	Yes
3202-Z-9490	2.35"-46	43.80"	8.38"	7.00"	8	.64"	Straight	2.25"	3.03"	No	No
3202-G-9003	2.35"-46	43.80"	8.38"	7.00"	8	.73"	Taper	2.25"	3.03"	No	No
3202-J-9500	2.35"-46	43.80"	8.38"	7.00"	8	.78"	Straight	2.25"	3.03"	No	No
3202-A-9491	2.35"-46	43.93"	8.38"	7.00"	8	.64"	Straight	2.25"	9.14"	No	No
3202-Q-9273	2.35"-46	43.93"	8.38"	7.00"	8	.73"	Taper	2.25"	9.14"	No	Yes
3202-B-8816	2.35"-46	43.93"	8.38"	7.00"	8	.73"	Taper	2.25"	9.14"	No	No
3206-F-1618	2.35"-46	44.22"	8.38"	7.00"	8	.73"	Taper	2.25"	3.03"	No	No
3206-T-1840	2.35"-46	44.25"	8.38"	7.25"	10	.67"	Taper	2.25"	3.03"	Yes	No
3202-R-9456	2.35"-46	44.37"	8.38"	7.00"	8	.73"	Taper	2.25"	3.03"	No	No
3206-X-1506	2.35"-46	44.49"	8.38"	7.00"	8	.73"	Taper	2.25"	3.03"	No	No
3206-Z-1508	2.35"-46	44.68"	8.38"	7.00"	8	.73"	Taper	2.25"	9.14"	No	No
3202-G-9497	2.35"-46	44.77"	8.38"	7.00"	8	.73"	Taper	2.25"	3.03"	No	No
3202-G-6767	2.35"-46	45.03"	8.38"	7.00"	8	.73"	Taper	2.25"	3.03"	No	No
3202-L-9372	2.35"-46	45.34"	8.38"	7.00"	8	.73"	Taper	2.25"	3.03"	No	No
3202-N-9374	2.35"-46	45.42"	8.38"	7.00"	8	.73"	Taper	2.25"	9.14"	No	No
3202-V-9824	2.35"-46	45.60"	8.38"	7.00"	8	.73"	Taper	2.25"	3.03"	No	No
3206-K-1493	2.35"-46	45.74"	8.38"	7.00"	8	.64"	Straight	2.25"	3.03"	No	No
3206-L-1494	2.35"-46	45.90"	8.38"	7.00"	8	.64"	Straight	2.25"	9.14"	No	No
3202-L-9554	2.35"-46	45.90"	8.38"	7.00"	8	.73"	Taper	2.25"	3.03"	No	No
3202-S-9405	2.35"-46	45.90"	8.38"	7.00"	8	.78"	Straight	2.25"	3.03"	No	No
3202-D-9130	2.35"-46	45.90"	8.38"	7.00"	8	.78"	Straight	2.25"	9.14"	No	No
3202-M-9555	2.35"-46	46.03"	8.38"	7.00"	8	.73"	Taper	2.25"	9.14"	No	No
3202-U-9407	2.35"-46	46.03"	8.38"	7.00"	8	.78"	Straight	2.25"	9.14"	No	No
3202-W-6783	2.35"-46	46.12"	8.38"	7.00"	8	.73"	Taper	2.12"	3.03"	No	No
3202-L-9502	2.35"-46	46.30"	8.38"	7.00"	8	.73"	Taper	2.25"	3.03"	No	No
3202-M-6773	2.35"-46	46.46"	8.38"	7.00"	8	.73"	Taper	2.25"	3.03"	No	No
3202-F-9574	2.35"-46	46.61"	8.38"	7.00"	8	.64"	Straight	2.25"	3.03"	No	No
3202-R-8806	2.35"-46	46.61"	8.38"	7.00"	8	.73"	Taper	2.25"	3.03"	No	No
3202-N-9400	2.35"-46	46.74"	8.38"	7.00"	8	.73"	Taper	2.25"	3.03"	No	No
3202-G-9575	2.35"-46	46.78"	8.38"	7.00"	8	.64"	Straight	2.25"	9.14"	No	No

AXLE SHAFTS BY DIMENSION

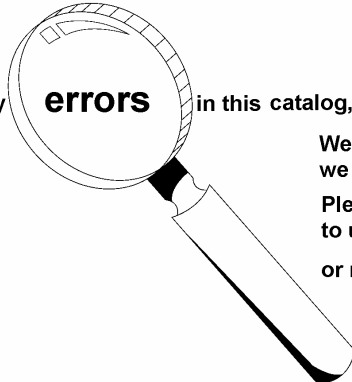
Axle Shaft Part Number	Spline Size	Length	Flange Dia.	Bolt Circle	No. of Holes	Hole Size	Hole Type	Body Dia.	Spline Length	Puller Holes	Lube Holes
3202-C-8817	2.35"-46	46.78"	8.38"	7.00"	8	.73"	Taper	2.25"	9.14"	No	No
3202-O-9403	2.35"-46	46.90"	8.38"	7.00"	8	.73"	Taper	2.25"	9.14"	No	No
3202-N-6774	2.35"-46	46.96"	8.38"	7.00"	8	.73"	Taper	2.25"	3.03"	No	No
3202-P-6776	2.35"-46	47.96"	8.38"	7.00"	8	.73"	Taper	2.25"	3.03"	No	No
3202-W-9409	2.35"-46	48.31"	8.38"	7.00"	8	.73"	Taper	2.25"	3.03"	No	No
3202-Y-9411	2.35"-46	48.39"	8.38"	7.00"	8	.73"	Taper	2.25"	9.14"	No	No
3202-J-6770	2.35"-46	48.90"	8.38"	7.00"	8	.73"	Taper	2.25"	3.03"	No	No
3202-X-6784	2.35"-46	49.25"	8.38"	7.00"	8	.73"	Taper	2.12"	3.03"	No	No
3206-T-1190	2.35"-46	49.67"	8.38"	7.00"	8	.73"	Taper	2.25"	3.03"	No	No
3206-W-1193	2.35"-46	49.85"	8.38"	7.00"	8	.73"	Taper	2.25"	9.14"	No	No
3202-Y-6785	2.35"-46	50.23"	8.38"	7.00"	8	.73"	Taper	2.12"	3.03"	No	No
3206-E-1617	2.35"-46	50.89"	8.38"	7.00"	8	.73"	Taper	2.25"	9.14"	No	No
3206-H-1620	2.35"-46	50.89"	8.38"	7.00"	8	.73"	Taper	2.25"	3.03"	No	No
3206-M-1495	2.35"-46	51.93"	8.38"	7.00"	8	.73"	Taper	2.25"	3.03"	No	No
3202-J-9916	2.35"-46	52.79"	8.38"	7.00"	8	.73"	Taper	2.25"	3.03"	No	No
3202-L-9918	2.35"-46	52.92"	8.38"	7.00"	8	.73"	Taper	2.25"	9.14"	No	No
3202-U-3453	2.38"-16	37.00"	8.38"	6.88"	7	.65"	Both	2.12"	2.06"	Yes	No
3206-U-1087	2.38"-16	37.62"	8.38"	7.25"	10	.67"	Taper	2.12"	3.03"	Yes	Yes
3202-P-9870	2.38"-16	37.62"	8.38"	7.25"	10	.67"	Taper	2.12"	3.03"	Yes	No
3202-T-3582	2.38"-16	38.81"	8.38"	7.25"	10	.67"	Both	2.12"	3.03"	Yes	No
3202-N-6566	2.38"-16	39.02"	8.38"	7.00"	8	.76"	Straight	2.25"	2.06"	Yes	No
3202-U-6105	2.38"-16	39.65"	8.38"	7.25"	10	.67"	Both	2.12"	3.03"	Yes	No
3202-Z-2054	2.38"-16	40.56"	8.38"	7.00"	8	.73"	Taper	2.25"	2.06"	No	No
3206-W-1089	2.38"-16	40.65"	8.38"	7.25"	10	.67"	Taper	2.12"	3.03"	Yes	Yes
3206-W-1089S	2.38"-16	40.65"	8.38"	7.25"	10	.67"	Taper	2.12"	3.03"	Yes	Yes
3206-V-1088	2.38"-16	41.62"	8.38"	7.25"	10	.67"	Taper	2.12"	3.03"	Yes	Yes
3202-U-9875	2.38"-16	42.62"	8.38"	7.25"	10	.67"	Taper	2.12"	3.03"	Yes	No
3206-X-1090S	2.38"-16	44.71"	8.38"	7.25"	10	.67"	Taper	2.12"	3.03"	Yes	Yes
3206-X-1090	2.38"-16	44.71"	8.38"	7.25"	10	.67"	Taper	2.12"	3.03"	Yes	Yes
3202-U-3583	2.38"-16	46.37"	8.38"	7.25"	10	.67"	Both	2.12"	3.03"	Yes	No
3202-M-3705	2.38"-24	30.59"	8.38"	7.00"	8	.73"	Taper	2.25"	3.03"	No	No
3202-R-9378	2.38"-24	34.06"	8.38"	7.00"	8	.73"	Taper	2.12"	3.03"	No	No
3202-G-9887	2.38"-24	34.69"	8.38"	7.25"	10	.67"	Taper	2.25"	3.03"	Yes	No
3202-D-3670	2.38"-24	35.21"	8.38"	7.00"	8	.73"	Taper	2.25"	3.03"	No	No
3202-F-5232	2.38"-24	35.93"	8.38"	7.00"	8	.73"	Taper	2.25"	3.03"	No	No
3202-B-6580	2.38"-24	36.21"	8.38"	7.00"	8	.73"	Taper	2.25"	3.03"	No	Yes
3202-X-3924	2.38"-24	36.21"	8.38"	7.00"	8	.73"	Taper	2.25"	3.03"	No	No
3202-P-9558	2.38"-24	37.01"	8.38"	7.00"	8	.73"	Taper	2.12"	3.03"	No	No
3202-D-7232	2.38"-24	37.18"	8.38"	7.00"	8	.73"	Taper	2.25"	3.03"	No	Yes
3202-N-3498	2.38"-24	37.18"	8.38"	7.00"	8	.73"	Taper	2.25"	3.03"	No	No
3202-V-7978	2.38"-24	37.32"	8.38"	7.00"	8	.78"	Straight	2.12"	3.03"	No	No
3202-F-3516	2.38"-24	37.34"	8.38"	7.00"	8	.73"	Taper	2.25"	3.03"	No	No
3202-H-6196	2.38"-24	37.49"	8.38"	7.00"	8	.73"	Taper	2.25"	3.43"	Yes	Yes
3202-N-9868	2.38"-24	37.69"	8.38"	7.25"	10	.67"	Taper	2.25"	3.03"	Yes	Yes
3202-L-9892	2.38"-24	37.69"	8.38"	7.25"	10	.67"	Taper	2.25"	3.03"	Yes	No
3202-S-9561	2.38"-24	37.70"	8.38"	7.00"	8	.73"	Taper	2.25"	3.03"	No	No
3202-U-6729	2.38"-24	37.87"	8.38"	7.00"	8	.73"	Taper	2.12"	3.03"	No	No
3202-J-8486	2.38"-24	38.31"	8.38"	7.25"	10	.67"	Both	2.25"	3.03"	Yes	No
3202-Z-7384	2.38"-24	38.56"	8.38"	7.00"	8	.73"	Taper	2.25"	3.03"	No	No
3202-T-8418	2.38"-24	38.71"	8.38"	7.00"	8	.78"	Straight	2.25"	3.43"	No	No
3202-V-6054	2.38"-24	39.22"	8.38"	7.00"	8	.73"	Taper	2.25"	3.43"	No	No
3202-B-3512	2.38"-24	39.34"	8.38"	7.00"	8	.73"	Taper	2.25"	3.03"	No	No
3202-G-6195	2.38"-24	39.49"	8.38"	7.00"	8	.73"	Taper	2.25"	3.43"	Yes	No
3202-Z-9880	2.38"-24	39.50"	8.38"	7.25"	10	.67"	Taper	2.25"	3.03"	Yes	No
3202-M-8671	2.38"-24	39.68"	8.38"	7.00"	8	.73"	Taper	2.12"	3.03"	No	No

AXLE SHAFTS BY DIMENSION

Axle Shaft Part Number	Spline Size	Length	Flange Dia.	Bolt Circle	No. of Holes	Hole Size	Hole Type	Body Dia.	Spline Length	Puller Holes	Lube Holes
3202-Q-7713	2.38"-24	39.96"	8.38"	7.00"	8	.73"	Taper	2.25"	3.03"	No	No
3202-P-7530	2.38"-24	40.41"	8.38"	7.00"	8	.73"	Taper	2.25"	2.94"	No	No
3202-X-3508	2.38"-24	40.47"	8.38"	7.00"	8	.73"	Taper	2.25"	3.43"	No	No
3202-Z-3718	2.38"-24	40.47"	8.38"	7.00"	8	.73"	Taper	2.25"	3.43"	No	Yes
3202-Z-4784	2.38"-24	40.47"	8.38"	7.00"	8	.73"	Taper	2.25"	3.43"	Yes	No
3206-K-1545	2.38"-24	40.56"	8.38"	7.25"	10	.64"	Taper	2.25"	3.03"	Yes	No
3202-V-6730	2.38"-24	40.65"	8.38"	7.00"	8	.73"	Taper	2.12"	3.03"	No	No
3202-K-8487	2.38"-24	40.81"	8.38"	7.25"	10	.67"	Both	2.25"	3.03"	Yes	No
3202-H-7626	2.38"-24	40.94"	8.38"	7.00"	8	.73"	Taper	2.12"	3.03"	No	No
3202-D-3540	2.38"-24	41.00"	8.38"	7.00"	8	.73"	Taper	2.25"	3.03"	No	No
3202-B-4812	2.38"-24	41.06"	8.38"	7.00"	8	.73"	Taper	2.25"	3.03"	No	Yes
3202-V-8420	2.38"-24	41.15"	8.38"	7.00"	8	.78"	Straight	2.25"	3.43"	No	No
3202-L-8488	2.38"-24	41.31"	8.38"	7.25"	10	.67"	Both	2.25"	3.03"	Yes	No
3202-N-8672	2.38"-24	41.62"	8.38"	7.00"	8	.73"	Taper	2.12"	3.03"	No	No
3202-X-6056	2.38"-24	41.72"	8.38"	7.00"	8	.73"	Taper	2.25"	3.43"	No	No
3202-T-3972	2.38"-24	41.77"	8.38"	7.00"	8	.73"	Taper	2.25"	3.03"	No	No
3202-R-9560	2.38"-24	42.17"	8.38"	7.00"	8	.73"	Taper	2.12"	3.03"	No	No
3202-U-7977	2.38"-24	42.48"	8.38"	7.00"	8	.78"	Straight	2.12"	3.03"	No	No
3202-M-6253	2.38"-24	42.56"	8.38"	7.00"	8	.73"	Taper	2.25"	3.03"	No	No
3202-B-9862	2.38"-24	42.56"	8.38"	7.25"	10	.67"	Taper	2.25"	3.03"	Yes	No
3202-R-9898	2.38"-24	42.56"	8.38"	7.25"	10	.67"	Taper	2.25"	3.03"	Yes	Yes
3202-H-9862	2.38"-24	42.56"	8.38"	7.25"	10	.67"	Taper	2.25"	3.03"	Yes	No
3202-R-9898S	2.38"-24	42.56"	8.38"	7.25"	10	.67"	Taper	2.25"	3.03"	Yes	Yes
3202-T-6728	2.38"-24	43.03"	8.38"	7.00"	8	.73"	Taper	2.12"	3.03"	No	No
3202-Z-3666	2.38"-24	43.40"	8.38"	7.00"	8	.73"	Taper	2.25"	3.03"	No	No
3202-T-9562	2.38"-24	43.54"	8.38"	7.00"	8	.73"	Taper	2.25"	3.03"	No	No
3202-M-8489	2.38"-24	43.81"	8.38"	7.25"	10	.67"	Both	2.25"	3.03"	Yes	No
3202-U-7379	2.38"-24	43.97"	8.38"	7.00"	8	.73"	Taper	2.25"	3.03"	No	No
3202-C-7387	2.38"-24	44.40"	8.38"	7.00"	8	.73"	Taper	2.25"	3.03"	No	No
3206-J-1544	2.38"-24	44.56"	8.38"	7.25"	10	.64"	Taper	2.25"	3.03"	Yes	No
3202-E-8767	2.38"-24	44.83"	8.38"	7.00"	8	.73"	Taper	2.25"	3.43"	No	No
3202-E-7233	2.38"-24	45.03"	8.38"	7.00"	8	.73"	Taper	2.25"	3.03"	No	Yes
3202-P-3500	2.38"-24	45.03"	8.38"	7.00"	8	.73"	Taper	2.25"	3.03"	No	No
3202-F-9886	2.38"-24	45.60"	8.38"	7.25"	10	.67"	Taper	2.25"	3.03"	Yes	No
3202-G-7625	2.38"-24	45.97"	8.38"	7.00"	8	.73"	Taper	2.12"	3.03"	No	No
3202-E-5231	2.38"-24	47.67"	8.38"	7.00"	8	.73"	Taper	2.25"	3.03"	No	No
3202-C-6581	2.38"-24	47.97"	8.38"	7.00"	8	.73"	Taper	2.25"	3.03"	No	Yes
3202-Y-3925	2.38"-24	47.97"	8.38"	7.00"	8	.73"	Taper	2.25"	3.03"	No	No
3202-M-9867	2.38"-24	48.60"	8.38"	7.25"	10	.67"	Taper	2.25"	3.03"	Yes	Yes
3202-K-9891	2.38"-24	48.60"	8.38"	7.25"	10	.67"	Taper	2.25"	3.03"	Yes	No
3202-C-4813	2.38"-24	48.90"	8.38"	7.00"	8	.73"	Taper	2.25"	3.03"	No	Yes
3202-K-3703	2.38"-24	50.34"	8.38"	7.00"	8	.73"	Taper	2.25"	3.03"	No	No
3202-S-3971	2.38"-24	53.53"	8.38"	7.00"	8	.73"	Taper	2.25"	3.03"	No	No
3202-H-5234	2.38"-24	55.84"	8.38"	7.00"	8	.73"	Taper	2.25"	3.03"	No	No
3202-C-8193	2.50"-16	37.46"	8.38"	7.00"	8	.73"	Taper	2.38"	2.59"	No	No
3202-M-3237	2.50"-16	38.34"	8.38"	7.00"	8	.73"	Taper	2.25"	2.59"	No	No
3202-E-8195	2.50"-16	41.34"	8.38"	7.00"	8	.73"	Taper	2.38"	2.59"	No	No
3202-D-8194	2.50"-16	45.71"	8.38"	7.00"	8	.73"	Taper	2.38"	2.59"	No	No
3202-N-2588	2.50"-16	47.56"	8.38"	7.00"	8	.73"	Taper	2.25"	1.87"	No	No
3202-F-8196	2.50"-16	49.71"	8.38"	7.00"	8	.73"	Taper	2.38"	2.59"	No	No
3202-R-3242	2.50"-16	50.93"	8.38"	7.00"	8	.73"	Taper	2.25"	2.59"	No	No
3202-P-3240	2.50"-16	64.34"	8.38"	7.00"	8	.73"	Taper	2.25"	2.59"	No	No
3202-Y-8189	2.55"-50	37.37"	8.38"	7.00"	8	.73"	Taper	2.38"	2.65"	No	No
3206-U-1477	2.55"-50	39.61"	8.50"	7.25"	8	.73"	Taper	2.25"	3.15"	No	Yes
3202-A-8191	2.55"-50	41.25"	8.38"	7.00"	8	.73"	Taper	2.38"	2.65"	No	No

AXLE SHAFTS BY DIMENSION

Axle Shaft Part Number	Spline Size	Length	Flange Dia.	Bolt Circle	No. of Holes	Hole Size	Hole Type	Body Dia.	Spline Length	Puller Holes	Lube Holes
3202-A-8191	2.55"-50	41.25"	8.38"	7.00"	8	.73"	Taper	2.38"	2.65"	No	No
3202-M-7735	2.55"-50	41.71"	8.50"	7.25"	8	.73"	Taper	2.38"	3.15"	No	Yes
3202-Q-9143	2.55"-50	41.74"	8.50"	7.25"	8	.73"	Taper	2.25"	3.15"	No	Yes
3202-Q-9819	2.55"-50	43.75"	8.50"	7.25"	8	.73"	Taper	2.25"	3.15"	No	Yes
3202-L-7734	2.55"-50	44.18"	8.50"	7.25"	8	.73"	Taper	2.38"	3.15"	No	Yes
3202-P-9142	2.55"-50	44.21"	8.50"	7.25"	8	.73"	Taper	2.38"	3.15"	No	Yes
3202-Z-8190	2.55"-50	45.62"	8.38"	7.00"	8	.73"	Taper	2.38"	2.65"	No	No
3202-S-9249	2.55"-50	45.84"	8.50"	7.25"	8	.73"	Taper	2.25"	3.15"	No	Yes
3202-D-7804	2.55"-50	45.84"	8.50"	7.25"	8	.73"	Taper	2.25"	3.15"	No	Yes
3206-T-1476	2.55"-50	46.28"	8.50"	7.25"	8	.73"	Taper	2.25"	3.15"	No	Yes
3202-R-9248	2.55"-50	48.31"	8.50"	7.25"	8	.73"	Taper	2.38"	3.15"	No	Yes
3202-C-7803	2.55"-50	48.31"	8.50"	7.25"	8	.73"	Taper	2.38"	3.15"	No	Yes
3202-B-8192	2.55"-50	49.62"	8.38"	7.00"	8	.73"	Taper	2.38"	2.65"	No	No
3202-P-9818	2.55"-50	50.41"	8.38"	7.25"	8	.73"	Taper	2.25"	3.15"	No	Yes
3202-D-9806	2.55"-50	51.63"	8.50"	7.25"	8	.73"	Taper	2.25"	3.15"	No	Yes
3202-N-7788	2.55"-50	53.72"	8.50"	7.25"	8	.73"	Taper	2.38"	3.15"	No	Yes
3202-Q-9247	2.55"-50	53.74"	8.50"	7.25"	8	.73"	Taper	2.38"	3.15"	No	Yes
3202-M-7787	2.55"-50	56.18"	8.50"	7.25"	8	.73"	Taper	2.38"	3.15"	No	Yes
3202-P-9246	2.55"-50	56.21"	8.50"	7.25"	8	.73"	Taper	2.38"	3.15"	No	Yes
3202-C-9805	2.55"-50	58.27"	8.50"	7.25"	8	.73"	Taper	2.25"	3.15"	No	Yes



If you detect any **errors** in this catalog, please let us know.

We want the information to be as accurate as possible; we appreciate your help in making it so.

Please e-mail any comments/suggestions/corrections to us at: catalogfeedback@arvinmeritor.com

or mail to: ArvinMeritor
 attn: Catalog Dept.
 7975 Dixie Highway
 Florence, KY 41042

XpresswayPlus.com



Don't forget about using *XpresswayPlus.com* for:

- Ordering parts online
- Order status
- Price and availability
- Visual search for new users
- Online e-mail or phone numbers for Customer Service, Information Services, Marketing, Catalog, and eSupport
- Reference Library
- The Company Store
- Easy to use navigating instructions
- Dealer/Distributor locator

XpresswayPlus is easy to find, can reduce phone calls, and save you valuable time.

WHAT YOU NEED:	WHERE TO LOOK:
ACCOUNT CHANGE	CUSTOMER SERVICE
AFTERMARKET & PRODUCTION ASSEMBLIES	CATALOG
APPLICATION INFORMATION	CATALOG
BILL-OF-LADING NUMBER	ORDER STATUS
BILL-OF-MATERIAL	CATALOG
BULLETINS	REFERENCE LIBRARY
CONTACT NAMES & NUMBERS	CUSTOMER SERVICE
FIELD SUPPORT REPRESENTATIVES	CUSTOMER SERVICE
INVOICE (VIEW & PRINT)	ORDER STATUS
NEWSLETTER	REFERENCE LIBRARY
ORDER DETAILS	ORDER STATUS
ORDER HISTORY FILE	ORDER STATUS
ORDER MERCHANDISE	COMPANY STORE
ORDER SUBMIT	CREATE NEW ORDER
ORDER SUBMIT - STOCK UPLOAD (MULTIPLE LINES)	CREATE NEW ORDER
PART DETAILS	CATALOG
PART IMAGES	CATALOG
PART NUMBER COMPARISON	CATALOG
PARTS BOOKS	REFERENCE LIBRARY
PASSWORD CHANGE	CUSTOMER SERVICE
PRICE (LIST)	CATALOG
PRICE (NET) & AVAILABILITY	PRICE & AVAILABILITY
PRODUCT BROCHURES	REFERENCE LIBRARY
PRODUCT UPDATES	REFERENCE LIBRARY
PROOF-OF-DELIVERY	ORDER STATUS
REQUEST-FOR-QUOTATION (FOR MERITOR BRAND)	PRICE REQUEST
SALES LITERATURE	REFERENCE LIBRARY
SEND QUESTIONS, COMMENTS, ISSUES	CONTACT US
SHIPPER NUMBER	ORDER STATUS
TECH TIPS	REFERENCE LIBRARY
TRACKING NUMBER	ORDER STATUS
WARRANTY INFORMATION	REFERENCE LIBRARY
WHERE-USED INFORMATION	CATALOG

AXLE SHAFT FORGING TO FINISH NUMBER

Meritor Forging No.	Meritor Finish No.
3202-A-2081	3202-B-2082
3202-A-3537	3202-C-4813
3202-A-3537	3202-J-6770
3202-A-3719	3202-M-7839
3202-A-3875	3202-B-3876
3202-A-4005	3202-U-6729
3202-A-4005	3202-U-6781
3202-A-4005	3206-T-1060
3202-A-4447	3202-B-4448
3202-A-4447	3202-B-9050
3202-A-4499	3202-E-4503
3202-A-5045	3202-B-5046
3202-A-6527	3202-P-7530
3202-A-7801	3202-C-7803
3202-A-7801	3202-R-9248
3202-A-7983	3202-B-7984
3202-A-7983	3202-Q-6361
3202-A-8269	3202-B-8270
3202-A-8373	3202-C-8375
3202-A-9049	3202-C-9051
3202-B-3304	3202-G-5077
3202-B-3538	3202-B-4812
3202-B-3538	3202-D-3540
3202-B-3538	3202-F-9496
3202-B-3538	3202-H-6768
3202-B-3668	3202-D-3670
3202-B-4032	3202-T-6780
3202-B-4084	3202-N-6072
3202-B-4110	3202-K-7863
3202-B-4136	3202-F-7858
3202-B-4552	3202-C-4553
3202-B-7386	3202-C-7387
3202-B-7386	3202-R-9456
3202-B-7802	3202-D-7804
3202-B-7802	3202-S-9249
3202-B-8764	3202-K-9501
3202-B-8972	3202-J-8980
3202-B-8972	3202-X-9046
3202-B-8972	3206-G-1047
3202-B-9596	3202-C-9597
3202-B-9596	3206-F-1046
3202-C-1355	3202-N-2588
3202-C-2655	3202-D-2656
3202-C-2941	3202-J-7836
3202-C-2941	3202-Q-7817
3202-C-2941	3202-W-5197
3202-C-3513	3202-L-9502
3202-C-3669	3202-N-6774

Meritor Forging No.	Meritor Finish No.
3202-C-4033	3202-V-6782
3202-C-4059	3202-L-3574
3202-C-4059	3202-U-5871
3202-C-4085	3202-V-9876
3202-C-5229	3202-E-5231
3202-C-5411	3202-G-6195
3202-C-5411	3202-Z-9880
3202-C-6711	3202-D-6712
3202-C-6711	3202-S-7975
3202-C-6737	3202-D-6738
3202-C-6737	3202-T-8002
3202-C-7647	3202-V-7848
3202-C-7777	3202-L-7734
3202-C-7777	3202-P-9142
3202-C-8999	3202-E-9001
3202-C-9311	3202-X-7980
3202-D-1226	3202-Y-9177
3202-D-3306	3202-F-5076
3202-D-4060	3202-Z-8580
3202-D-4112	3202-X-7850
3202-D-4138	3202-P-7868
3202-D-4138	3202-Z-6604
3202-D-4554	3202-E-4555
3202-D-5230	3202-F-5232
3202-D-5412	3202-H-6196
3202-D-6608	3202-E-6609
3202-D-7466	3202-W-7849
3202-D-7778	3202-M-7735
3202-D-7778	3202-Q-9143
3202-D-8766	3202-E-8767
3202-D-8766	3202-G-9497
3202-D-8792	3202-R-8806
3202-D-8818	3202-N-9270
3202-D-8818	3202-Q-8805
3202-D-8818	3202-Y-9489
3202-D-8974	3202-K-8981
3202-D-9000	3202-F-9002
3202-D-9104	3202-E-9105
3202-D-9312	3202-Z-7982
3202-D-9598	3202-E-9599
3202-D-9598	3206-X-1064
3202-E-3515	3202-F-3516
3202-E-3515	3202-G-9393
3202-E-4009	3202-M-8671
3202-E-4009	3202-U-6105
3202-E-4113	3202-R-7870
3202-E-4269	3202-G-2971
3202-E-4269	3202-N-6020

Meritor Forging No.	Meritor Finish No.
3202-E-4607	3202-F-4608
3202-E-4919	3202-F-4920
3202-E-6739	3202-H-6742
3202-E-7571	3202-F-7572
3202-E-7571	3202-Y-8501
3202-E-8481	3202-J-8486
3202-E-8793	3202-N-9894
3202-E-8793	3202-Z-9854
3202-E-9157	3202-E-9391
3202-E-9157	3202-H-9160
3202-E-9157	3202-W-9149
3202-E-9157	3202-W-9643
3202-E-9313	3202-B-7984
3202-E-9313	3202-Q-6361
3202-F-3074	3202-G-3075
3202-F-3074	3202-K-7837
3202-F-4036	3202-G-7625
3202-F-4062	3202-N-5006
3202-F-4062	3202-S-5869
3202-F-4062	3202-W-9877
3202-F-4088	3202-K-7447
3202-F-4270	3202-F-3906
3202-F-4296	3202-L-3002
3202-F-4296	3202-P-6100
3202-F-4296	3202-Y-9281
3202-F-6740	3202-J-6744
3202-F-6740	3202-X-7694
3202-F-7780	3202-G-7781
3202-F-8482	3202-K-8487
3202-F-8976	3202-M-8983
3202-F-9106	3202-G-9107
3202-F-9158	3202-F-9392
3202-F-9158	3202-K-9163
3202-F-9158	3202-V-9148
3202-F-9314	3202-M-8021
3202-F-9600	3202-G-9601
3202-G-2685	3202-B-7516
3202-G-2685	3202-E-7415
3202-G-2685	3202-H-2686
3202-G-2685	3202-T-7820
3202-G-2737	3202-H-2738
3202-G-3907	3202-H-3908
3202-G-4011	3202-V-6730
3202-G-4011	3202-Z-2054
3202-G-4011	3206-U-1061
3202-G-4011	3206-W-1089
3202-G-4037	3202-Y-6785
3202-G-4063	3202-J-3338

AXLE SHAFT FORGING TO FINISH NUMBER

Meritor Forging No.	Meritor Finish No.
3202-G-4141	3202-P-8050
3202-G-4297	3202-D-3696
3202-G-4921	3202-H-4922
3202-G-5233	3202-H-5234
3202-G-6741	3202-K-6745
3202-G-6741	3202-X-6732
3202-G-8483	3202-L-8488
3202-G-8665	3202-H-8666
3202-G-9315	3202-P-8362
3202-H-2608	3202-H-6430
3202-H-2608	3202-J-2610
3202-H-2608	3202-S-6441
3202-H-4012	3202-H-7626
3202-H-4012	3202-K-3365
3202-H-4064	3202-G-7235
3202-H-4064	3202-U-2959
3202-H-4272	3202-Y-5017
3202-H-4298	3202-B-5072
3202-H-8484	3202-G-9003
3202-H-8484	3202-J-9500
3202-H-8484	3202-M-8489
3202-H-8484	3202-P-9272
3202-H-8484	3202-Z-9490
3202-H-8796	3202-B-9856
3202-H-8796	3202-T-9562
3202-H-8900	3202-J-8902
3202-H-9368	3202-J-9370
3202-H-9368	3202-T-8418
3202-H-9394	3202-J-9396
3202-H-9394	3202-J-9552
3202-H-9796	3202-Q-9897
3202-J-2870	3202-L-2872
3202-J-3702	3202-K-3703
3202-J-4014	3202-N-8672
3202-J-4014	3206-V-1088
3202-J-4066	3202-E-3359
3202-J-5106	3202-B-5228
3202-J-5106	3202-P-7816
3202-J-9318	3202-N-9608
3202-J-9318	3202-W-9461
3202-J-9760	3202-U-6729
3202-J-9760	3202-U-6781
3202-J-9760	3206-T-1060
3202-K-3521	3202-F-9886
3202-K-3521	3202-V-9824
3202-K-4067	3202-P-5008
3202-K-4275	3202-E-5075
3202-K-4275	3202-J-8070

Meritor Forging No.	Meritor Finish No.
3202-K-4301	3202-M-5967
3202-K-4301	3202-W-3039
3202-K-6355	3202-A-9101
3202-K-6355	3202-L-6356
3202-K-7785	3202-M-7787
3202-K-7785	3202-P-9246
3202-K-8253	3202-V-7978
3202-K-8903	3202-L-8904
3202-K-9319	3202-Z-8788
3202-K-9371	3202-L-9372
3202-K-9397	3202-L-9398
3202-K-9761	3202-V-6730
3202-K-9761	3202-Z-2054
3202-K-9761	3206-U-1061
3202-K-9761	3206-W-1089
3202-K-9917	3202-L-9918
3202-L-2742	3202-M-2743
3202-L-3236	3202-M-3237
3202-L-3496	3202-D-7232
3202-L-3496	3202-F-6766
3202-L-3496	3202-N-3498
3202-L-3704	3202-M-3705
3202-L-3912	3202-M-3913
3202-L-4016	3202-U-9875
3202-L-4120	3202-Y-7851
3202-L-4276	3202-A-3303
3202-L-4302	3202-N-5968
3202-L-4458	3202-E-4451
3202-L-6252	3202-B-9862
3202-L-6252	3202-D-9156
3202-L-6252	3202-M-6253
3202-L-6252	3202-R-9898
3202-L-6252	3202-Y-8111
3202-L-6746	3202-M-6747
3202-L-6850	3202-M-6851
3202-L-7786	3202-N-7788
3202-L-7786	3202-Q-9247
3202-L-8410	3202-Q-8051
3202-L-8410	3202-Q-8389
3202-L-8800	3202-A-8815
3202-L-9528	3202-M-9529
3202-L-9632	3202-M-9633
3202-M-1287	3202-A-3459
3202-M-1339	3206-N-1340
3202-M-2587	3202-N-2588
3202-M-3497	3202-E-7233
3202-M-3497	3202-G-6767
3202-M-3497	3202-P-3500

Meritor Forging No.	Meritor Finish No.
3202-M-3939	3202-N-3940
3202-M-3939	3202-P-7842
3202-M-4121	3202-N-7450
3202-M-4121	3202-Y-7877
3202-M-4277	3202-S-6311
3202-M-4277	3202-W-3351
3202-M-4303	3202-E-9573
3202-M-4303	3202-H-9004
3202-M-4303	3202-Q-6777
3202-M-4303	3202-X-3508
3202-M-4303	3202-Z-3718
3202-M-4303	3202-Z-4784
3202-M-6357	3202-C-9103
3202-M-6357	3202-N-6358
3202-M-8255	3202-U-7977
3202-M-8801	3202-A-9491
3202-M-8801	3202-B-8816
3202-M-8801	3202-Q-9273
3202-M-9113	3202-F-9340
3202-M-9113	3202-Q-9117
3202-M-9321	3202-S-9041
3202-M-9321	3202-S-9483
3202-M-9373	3202-N-9374
3202-M-9399	3202-N-9400
3202-N-2744	3202-P-2746
3202-N-2874	3202-Q-2877
3202-N-3238	3202-P-3240
3202-N-3810	3202-G-8405
3202-N-3810	3202-P-3812
3202-N-3966	3202-P-3968
3202-N-3966	3202-Q-7843
3202-N-4018	3202-W-3039
3202-N-4122	3202-Z-7852
3202-N-4174	3202-L-7864
3202-N-5032	3202-R-7844
3202-N-8178	3202-Q-8181
3202-N-8360	3202-P-8362
3202-N-8802	3202-C-8817
3202-N-8802	3202-G-9575
3202-N-9114	3202-G-9341
3202-N-9114	3202-R-9118
3202-N-9322	3202-T-9042
3202-N-9322	3202-T-9484
3202-N-9530	3202-P-9532
3202-N-9634	3202-P-9636
3202-P-3006	3202-Q-3007
3202-P-3552	3202-Q-3553
3202-P-4020	3202-V-9902

AXLE SHAFT FORGING TO FINISH NUMBER

Meritor Forging No.	Meritor Finish No.
3202-P-4020	3206-X-1090
3202-P-4280	3202-F-6844
3202-P-5346	3202-M-5343
3202-P-5346	3202-T-7846
3202-P-7712	3202-Q-7713
3202-P-7712	3202-Z-8112
3202-P-8180	3202-R-8182
3202-P-8648	3202-Q-8649
3202-P-8934	3202-Q-8935
3202-P-9116	3202-H-9342
3202-P-9116	3202-S-9119
3202-P-9324	3202-U-9043
3202-P-9324	3202-U-9485
3202-P-9402	3202-Q-9403
3202-P-9610	3202-N-9608
3202-Q-2721	3202-R-2722
3202-Q-3241	3202-R-3242
3202-Q-3969	3202-S-3971
3202-Q-5035	3202-R-5036
3202-Q-5035	3202-S-7845
3202-Q-5347	3202-L-7838
3202-Q-5347	3202-N-5344
3202-Q-6387	3202-R-6388
3202-Q-9039	3202-T-9042
3202-Q-9039	3202-T-9484
3202-Q-9325	3202-B-9388
3202-Q-9325	3202-F-9340
3202-Q-9325	3202-Q-9117
3202-Q-9325	3202-V-9486
3202-R-3970	3202-A-9855
3202-R-3970	3202-P-8804
3202-R-3970	3202-P-9896
3202-R-3970	3202-T-3972
3202-R-4178	3202-M-7865
3202-R-4282	3202-J-5184
3202-R-4282	3202-S-2983
3202-R-4308	3202-B-3512
3202-R-6362	3202-S-6363
3202-R-6726	3202-U-7847
3202-R-8650	3202-S-8651
3202-R-8936	3202-S-8937
3202-R-9040	3202-U-9043
3202-R-9040	3202-U-9485
3202-R-9326	3202-C-9389
3202-R-9326	3202-G-9341
3202-R-9326	3202-R-9118
3202-R-9326	3202-W-9487
3202-R-9534	3202-S-9535

Meritor Forging No.	Meritor Finish No.
3202-R-9612	3202-R-9638
3202-R-9612	3202-S-9613
3202-R-9846	3202-S-9847
3202-S-1007	3202-R-3268
3202-S-3529	3202-N-6566
3202-S-4023	3202-W-6783
3202-S-4075	3202-P-6074
3202-S-4127	3202-A-7853
3202-S-4153	3202-G-7859
3202-S-4283	3202-U-2985
3202-S-4309	3202-X-8110
3202-S-4309	3202-Z-3666
3202-S-8417	3202-T-8418
3202-S-9327	3202-D-9390
3202-S-9327	3202-H-9342
3202-S-9327	3202-S-9119
3202-S-9327	3202-X-9488
3202-T-3452	3202-U-3453
3202-T-4050	3202-G-3335
3202-T-4076	3202-K-3365
3202-T-4102	3202-S-7819
3202-T-4180	3202-N-7866
3202-T-4284	3202-K-5185
3202-T-6156	3202-U-6157
3202-T-7378	3202-U-7379
3202-T-8366	3202-V-8368
3202-T-8704	3202-U-8705
3202-T-9046	3202-U-9407
3202-T-9120	3202-J-9344
3202-T-9120	3202-R-9274
3202-T-9120	3202-Y-9125
3202-T-9172	3202-U-9173
3202-T-9328	3202-U-9173
3202-T-9536	3202-U-9537
3202-T-9822	3202-U-9823
3202-U-4051	3202-F-7234
3202-U-4051	3202-T-2958
3202-U-4129	3202-B-7854
3202-U-4129	3202-G-5623
3202-U-5195	3202-V-5196
3202-U-6053	3202-R-6778
3202-U-6053	3202-V-6054
3202-U-8185	3202-C-8193
3202-U-8185	3202-Y-8189
3202-U-8419	3202-V-8420
3202-U-9121	3202-K-9345
3202-U-9121	3202-S-9275
3202-U-9121	3202-Z-9126

Meritor Forging No.	Meritor Finish No.
3202-U-9329	3202-C-9181
3202-U-9381	3202-V-9382
3202-V-2986	3202-W-2987
3202-V-3740	3202-N-7840
3202-V-3740	3202-W-3741
3202-V-3922	3202-A-9907
3202-V-3922	3202-B-6580
3202-V-3922	3202-X-3924
3202-V-4026	3202-X-6784
3202-V-4052	3202-R-5868
3202-V-4130	3202-C-7855
3202-V-6158	3202-W-6159
3202-V-8186	3202-D-8194
3202-V-8186	3202-Z-8190
3202-V-8914	3202-W-8915
3202-V-9044	3202-X-9046
3202-V-9174	3202-W-9175
3202-V-9330	3202-E-9183
3202-V-9408	3202-W-9409
3202-V-9538	3202-W-9539
3202-W-2727	3202-X-2728
3202-W-3923	3202-C-6581
3202-W-3923	3202-P-6776
3202-W-3923	3202-Y-3925
3202-W-4287	3202-L-6564
3202-W-6055	3202-G-9159
3202-W-6055	3202-J-9162
3202-W-6055	3202-S-6779
3202-W-6055	3202-X-6056
3202-W-6055	3202-X-9644
3202-W-6055	3202-Z-8684
3202-W-6549	3202-T-9796
3202-W-6549	3202-X-6472
3202-W-7641	3202-G-9887
3202-W-7641	3202-K-6771
3202-W-7979	3202-X-7980
3202-W-8187	3202-A-8191
3202-W-8187	3202-E-8195
3202-W-9045	3202-Y-9047
3202-W-9045	3206-Y-1065
3202-W-9123	3202-C-9129
3202-W-9123	3202-L-9346
3202-W-9123	3202-T-9276
3202-W-9279	3202-Y-9281
3202-W-9305	3202-L-6564
3202-W-9825	3202-X-9826
3202-X-2962	3202-E-5179
3202-X-3248	3202-Z-3250

AXLE SHAFT FORGING TO FINISH NUMBER

Meritor Forging No.	Meritor Finish No.
3202-X-4028	3202-T-3582
3202-X-4054	3202-A-3459
3202-X-4054	3202-V-6574
3202-X-4080	3202-Z-5408
3202-X-4106	3202-H-7860
3202-X-4132	3202-Q-7869
3202-X-7642	3202-M-6773
3202-X-7798	3202-V-7796
3202-X-8188	3202-B-8192
3202-X-8188	3202-F-8196
3202-X-8682	3202-A-9127
3202-X-8682	3202-Y-8683
3202-X-8916	3202-Y-8917
3202-X-9124	3202-D-9130
3202-X-9176	3202-Y-9177
3202-X-9254	3202-K-9891
3202-X-9306	3202-W-5899
3202-X-9410	3202-Y-9411
3202-X-9462	3202-Q-9611
3202-X-9462	3202-Y-9463
3202-X-9524	3202-M-9867
3202-X-9540	3202-Y-9541
3202-Y-2729	3202-Z-2730
3202-Y-3509	3202-Z-3510
3202-Y-3665	3202-L-9892
3202-Y-3665	3202-N-9868
3202-Y-3665	3202-S-9561
3202-Y-4029	3202-U-3583
3202-Y-4107	3202-R-7818
3202-Y-4133	3202-D-7856
3202-Y-4783	3202-R-3268
3202-Y-5043	3202-Z-5044
3202-Y-6057	3202-Z-6058
3202-Y-6733	3202-Z-6734
3202-Y-7383	3202-E-9495
3202-Y-7383	3202-W-7745
3202-Y-7383	3202-Z-7384
3202-Y-7695	3202-W-7693
3202-Y-7981	3202-Z-7982
3202-Y-8267	3202-Z-8268
3202-Y-8787	3202-Z-8788
3202-Y-9307	3202-F-7494
3202-Y-9307	3202-R-3268
3202-Z-3926	3202-M-9893
3202-Z-4004	3202-P-9870
3202-Z-4004	3206-U-1087
3202-Z-4056	3202-J-3572
3202-Z-4056	3202-T-5870

Meritor Forging No.	Meritor Finish No.
3202-Z-4108	3202-J-7862
3202-Z-4134	3202-E-7857
3202-Z-4290	3202-W-5899
3202-Z-5278	3202-A-5279
3202-Z-8372	3202-B-8374
3202-Z-9048	3202-B-9050
3202-Z-9308	3202-S-6363
3202-Z-9386	3202-A-9387
3206-A-1015	3202-Z-8788
3206-A-1093	3202-X-9046
3206-A-1119	3202-F-9886
3206-A-1119	3202-V-9824
3206-A-1171	3202-E-8767
3206-A-1171	3202-G-6767
3206-A-1171	3202-G-9497
3206-A-1171	3202-L-9372
3206-A-1171	3202-N-9374
3206-A-1171	3202-P-3500
3206-A-1197	3202-M-7735
3206-A-1197	3202-Q-9143
3206-A-1223	3202-Q-7869
3206-A-1249	3202-Z-6734
3206-A-1301	3202-V-7978
3206-A-1509	3202-K-8981
3206-A-1509	3202-M-6747
3206-A-1509	3202-S-6311
3206-A-1509	3202-U-8705
3206-A-1509	3202-X-6732
3206-A-1509	3206-P-1732
3206-A-1509	3206-Q-1733
3206-B-1016	3202-S-9041
3206-B-1016	3202-S-9483
3206-B-1120	3202-J-6770
3206-B-1146	3202-B-9856
3206-B-1146	3202-G-9003
3206-B-1146	3202-J-9500
3206-B-1146	3202-Q-9897
3206-B-1146	3202-Q-9897S
3206-B-1146	3202-Z-9490
3206-B-1172	3202-J-9370
3206-B-1172	3202-T-8418
3206-B-1198	3202-M-7787
3206-B-1198	3202-P-9246
3206-B-1224	3202-P-7868
3206-B-1250	3202-D-6738
3206-B-1276	3202-H-7626
3206-B-1276	3202-K-3365
3206-B-1302	3202-U-7977

Meritor Forging No.	Meritor Finish No.
3206-B-1354	3202-U-3453
3206-B-1510	3202-D-6712
3206-B-1510	3202-D-6738
3206-B-1510	3202-E-5075
3206-B-1510	3202-F-5076
3206-B-1510	3202-F-7572
3206-B-1510	3202-G-8405
3206-B-1510	3202-J-6744
3206-B-1510	3202-J-8070
3206-B-1510	3202-M-8983
3206-B-1510	3202-R-6388
3206-B-1510	3202-R-8182
3206-B-1510	3202-S-7975
3206-B-1510	3202-X-6472
3206-B-1510	3202-X-9046
3206-B-1510	3202-Y-8501
3206-B-1510	3202-Z-6734
3206-B-1588	3202-H-7626
3206-B-1588	3202-K-3365
3206-B-1588	3202-L-3574
3206-B-1588	3202-V-6730
3206-B-1588	3202-V-9876
3206-B-1588	3202-Z-2054
3206-B-1588	3206-U-1061
3206-B-1588	3206-V-1088
3206-B-1588	3206-W-1089
3206-B-1744	3206-X-1740
3206-C-1017	3202-T-9042
3206-C-1017	3202-T-9484
3206-C-1069	3206-D-1070
3206-C-1069	3206-E-1071
3206-C-1121	3202-D-3540
3206-C-1121	3202-F-9496
3206-C-1121	3202-H-6768
3206-C-1173	3202-L-9372
3206-C-1199	3202-N-7788
3206-C-1199	3202-Q-9247
3206-C-1225	3202-E-7415
3206-C-1225	3202-H-2686
3206-C-1225	3202-P-7868
3206-C-1225	3202-Q-7869
3206-C-1225	3202-T-7820
3206-C-1225	3202-W-9175
3206-C-1225	3202-Y-9177
3206-C-1251	3202-J-6744
3206-C-1277	3206-V-1088
3206-C-1511	3202-G-7781
3206-C-1511	3202-Q-8181

AXLE SHAFT FORGING TO FINISH NUMBER

Meritor Forging No.	Meritor Finish No.
3206-C-1511	3202-Y-9047
3206-D-1018	3202-U-9043
3206-D-1018	3202-U-9173
3206-D-1018	3202-U-9485
3206-D-1018	3202-W-5899
3206-D-1044	3202-G-7625
3206-D-1122	3202-L-9892
3206-D-1122	3202-N-9868
3206-D-1148	3202-H-8666
3206-D-1148	3202-K-9501
3206-D-1174	3202-N-9374
3206-D-1200	3202-C-7803
3206-D-1200	3202-R-9248
3206-D-1252	3202-X-6732
3206-D-1278	3202-U-9875
3206-D-1512	3202-F-3906
3206-D-1512	3202-G-2971
3206-D-1564	3206-E-1565
3206-E-1019	3202-F-9340
3206-E-1019	3202-Q-9117
3206-E-1019	3206-Z-1482
3206-E-1097	3202-B-8374
3206-E-1123	3202-N-6774
3206-E-1149	3202-A-9127
3206-E-1149	3202-Y-8683
3206-E-1149	3206-W-1921
3206-E-1175	3202-J-9396
3206-E-1175	3202-J-9552
3206-E-1201	3202-D-7804
3206-E-1201	3202-S-9249
3206-E-1253	3202-M-6747
3206-E-1279	3202-W-3039
3206-E-1357	3202-C-4553
3206-E-1513	3202-B-8374
3206-E-1513	3202-C-8375
3206-E-1513	3202-C-9597
3206-E-1513	3202-E-9599
3206-F-1020	3202-G-9341
3206-F-1020	3202-R-9118
3206-F-1020	3206-A-1483
3206-F-1072	3206-G-1073
3206-F-1072	3206-H-1074
3206-F-1124	3202-X-3924
3206-F-1150	3202-K-9501
3206-F-1176	3202-N-9400
3206-F-1202	3202-C-8193
3206-F-1202	3202-Y-8189
3206-F-1254	3202-F-7572

Meritor Forging No.	Meritor Finish No.
3206-F-1254	3202-Y-8501
3206-F-1280	3202-V-9902
3206-F-1280	3206-X-1090
3206-F-1358	3202-B-5072
3206-F-1566	3206-G-1567
3206-G-1021	3202-B-7984
3206-G-1021	3202-C-9181
3206-G-1021	3202-E-9183
3206-G-1021	3202-H-9342
3206-G-1021	3202-H-9628
3206-G-1021	3202-K-9631
3206-G-1021	3202-L-6564
3206-G-1021	3202-N-9608
3206-G-1021	3202-P-8362
3206-G-1021	3202-Q-6361
3206-G-1021	3202-R-3268
3206-G-1021	3202-S-9119
3206-G-1021	3202-W-9461
3206-G-1021	3202-X-7980
3206-G-1021	3202-Z-7982
3206-G-1021	3202-Z-8788
3206-G-1021	3206-B-1484
3206-G-1021	3206-C-1485
3206-G-1021	3206-F-1488
3206-G-1021	3206-P-1498
3206-G-1099	3202-G-9601
3206-G-1125	3202-P-6776
3206-G-1125	3202-Y-3925
3206-G-1151	3202-E-8767
3206-G-1151	3202-G-9497
3206-G-1177	3202-C-7387
3206-G-1177	3202-C-8817
3206-G-1177	3202-D-3540
3206-G-1177	3202-E-8767
3206-G-1177	3202-F-9496
3206-G-1177	3202-F-9574
3206-G-1177	3202-F-9886
3206-G-1177	3202-G-6767
3206-G-1177	3202-G-9497
3206-G-1177	3202-G-9575
3206-G-1177	3202-H-6768
3206-G-1177	3202-H-9498
3206-G-1177	3202-H-9862
3206-G-1177	3202-J-9396
3206-G-1177	3202-J-9500
3206-G-1177	3202-J-9552
3206-G-1177	3202-K-9501
3206-G-1177	3202-L-9372

Meritor Forging No.	Meritor Finish No.
3206-G-1177	3202-L-9502
3206-G-1177	3202-L-9554
3206-G-1177	3202-M-6253
3206-G-1177	3202-N-9400
3206-G-1177	3202-P-3500
3206-G-1177	3202-Q-9403
3206-G-1177	3202-R-8806
3206-G-1177	3202-R-9456
3206-G-1177	3202-R-9898
3206-G-1177	3202-R-9898S
3206-G-1177	3202-S-9405
3206-G-1177	3202-U-7379
3206-G-1177	3202-U-9823
3206-G-1177	3202-V-8420
3206-G-1177	3202-V-9824
3206-G-1177	3202-X-3508
3206-G-1177	3202-X-8110
3206-G-1177	3202-X-9826
3206-G-1177	3202-Y-8111
3206-G-1177	3202-Z-3666
3206-G-1177	3202-Z-3718
3206-G-1177	3202-Z-9854
3206-G-1177	3206-C-1537
3206-G-1177	3206-H-1594
3206-G-1177	3206-J-1544
3206-G-1177	3206-K-1493
3206-G-1177	3206-K-1545
3206-G-1177	3206-P-1758
3206-G-1177	3206-Q-1499
3206-G-1177	3206-T-1840
3206-G-1177	3206-U-1503
3206-G-1177	3206-U-1529
3206-G-1177	3206-W-1505
3206-G-1177	3206-X-1090S
3206-G-1177	3206-X-1506
3206-G-1203	3202-D-8194
3206-G-1203	3202-Z-8190
3206-G-1229	3202-Q-3007
3206-G-1255	3202-G-7781
3206-G-1281	3202-W-6783
3206-G-1619	3206-E-1617
3206-G-1619	3206-H-1620
3206-H-1022	3202-U-9173
3206-H-1048	3206-J-1050
3206-H-1126	3202-M-9893
3206-H-1126	3202-Y-9853
3206-H-1152	3202-R-8806
3206-H-1204	3202-A-8191

AXLE SHAFT FORGING TO FINISH NUMBER

Meritor Forging No.	Meritor Finish No.
3206-H-1204	3202-E-8195
3206-H-1230	3202-L-3002
3206-H-1230	3202-P-6100
3206-H-1230	3202-Y-9281
3206-H-1256	3202-Q-8181
3206-H-1282	3202-X-6784
3206-H-1308	3202-E-4555
3206-H-1568	3206-J-1570
3206-H-1750	3206-F-1748
3206-H-1854	3206-M-1859
3206-J-1024	3202-C-9181
3206-J-1076	3202-Z-7982
3206-J-1128	3202-A-9855
3206-J-1128	3202-P-8804
3206-J-1128	3202-P-9896
3206-J-1154	3202-N-9894
3206-J-1154	3202-Z-9854
3206-J-1180	3202-D-9130
3206-J-1180	3202-M-9555
3206-J-1180	3202-N-9374
3206-J-1180	3202-U-9407
3206-J-1206	3202-B-8192
3206-J-1206	3202-F-8196
3206-J-1232	3202-B-9050
3206-J-1258	3202-R-8182
3206-J-1284	3202-T-6780
3206-J-1310	3206-E-1487
3206-J-1310	3206-H-1490
3206-J-1596	3206-K-1597
3206-J-1622	3206-K-1623
3206-J-1622	3206-L-1624
3206-J-1752	3206-G-1749
3206-J-1856	3206-N-1860
3206-J-1880	3206-L-1494
3206-K-1025	3202-E-9183
3206-K-1077	3202-B-7984
3206-K-1129	3202-E-9573
3206-K-1129	3202-H-9004
3206-K-1129	3202-X-3508
3206-K-1129	3202-Z-3718
3206-K-1181	3202-W-9409
3206-K-1233	3202-M-6851
3206-K-1259	3202-C-8375
3206-K-1285	3202-G-3335
3206-K-1571	3206-F-1592
3206-K-1857	3206-P-1862
3206-L-1000	3202-S-2983
3206-L-1026	3202-Q-9611

Meritor Forging No.	Meritor Finish No.
3206-L-1026	3202-Y-9463
3206-L-1052	3206-M-1053
3206-L-1052	3206-N-1054
3206-L-1130	3202-B-3512
3206-L-1156	3202-B-9856
3206-L-1156	3202-Q-9897
3206-L-1182	3202-Y-9411
3206-L-1182	3206-E-1591
3206-L-1234	3202-C-9051
3206-L-1286	3202-T-2958
3206-L-1338	3206-N-1340
3206-L-1858	3206-Q-1863
3206-L-1884	3206-M-1885
3206-M-1079	3202-Q-9117
3206-M-1131	3202-X-8110
3206-M-1131	3202-Z-3666
3206-M-1183	3202-C-7387
3206-M-1183	3202-R-9456
3206-M-1183	3202-U-7379
3206-M-1183	3206-C-1589
3206-M-1183	3206-F-1618
3206-M-1261	3202-U-8705
3206-M-1521	3202-A-8191
3206-M-1521	3202-C-8193
3206-M-1521	3202-E-8195
3206-M-1521	3202-M-7735
3206-M-1521	3202-Q-9143
3206-M-1521	3202-Y-8189
3206-M-1521	3206-U-1477
3206-M-1573	3206-N-1574
3206-N-1002	3202-Q-8649
3206-N-1028	3202-Q-9611
3206-N-1028	3202-R-9638
3206-N-1028	3202-S-6363
3206-N-1028	3202-S-9613
3206-N-1028	3202-Y-9463
3206-N-1028	3206-D-1486
3206-N-1028	3206-G-1489
3206-N-1028	3206-Q-1655
3206-N-1080	3202-R-9118
3206-N-1106	3202-E-7415
3206-N-1106	3202-H-2686
3206-N-1106	3202-T-7820
3206-N-1132	3202-Z-9880
3206-N-1158	3202-A-9491
3206-N-1158	3202-B-8816
3206-N-1158	3206-R-1604
3206-N-1262	3202-K-8981

Meritor Forging No.	Meritor Finish No.
3206-N-1522	3202-B-8192
3206-N-1522	3202-C-7803
3206-N-1522	3202-D-7804
3206-N-1522	3202-D-8194
3206-N-1522	3202-F-8196
3206-N-1522	3202-L-7734
3206-N-1522	3202-P-9142
3206-N-1522	3202-P-9818
3206-N-1522	3202-Q-9819
3206-N-1522	3202-R-9248
3206-N-1522	3202-S-9249
3206-N-1522	3202-Z-8190
3206-N-1522	3206-T-1476
3206-N-1600	3206-P-1602
3206-N-1600	3206-Q-1603
3206-N-1652	3206-P-1654
3206-N-1886	3206-P-1888
3206-N-1938	3206-P-1940
3206-P-1004	3202-S-8651
3206-P-1056	3206-Q-1057
3206-P-1056	3206-R-1058
3206-P-1082	3202-S-9119
3206-P-1134	3202-R-6778
3206-P-1134	3202-V-6054
3206-P-1160	3202-C-8817
3206-P-1160	3202-G-9575
3206-P-1264	3202-M-8983
3206-P-1342	3206-Q-1343
3206-P-1342	3206-T-1346
3206-P-1524	3202-C-9805
3206-P-1524	3202-D-9806
3206-P-1524	3202-M-7787
3206-P-1524	3202-N-7788
3206-P-1524	3202-P-9246
3206-P-1524	3202-Q-9247
3206-P-1576	3202-A-3459
3206-P-1576	3202-G-3335
3206-P-1576	3202-N-6072
3206-P-1576	3202-P-9558
3206-P-1576	3202-P-9870
3206-P-1576	3202-R-9378
3206-P-1576	3202-T-2958
3206-P-1576	3202-T-6780
3206-P-1576	3202-U-3453
3206-P-1576	3202-U-6729
3206-P-1576	3202-U-6781
3206-P-1576	3202-V-7978
3206-P-1576	3206-T-1060

AXLE SHAFT FORGING TO FINISH NUMBER

Meritor Forging No.	Meritor Finish No.
3206-P-1576	3206-U-1087
3206-P-1576	3206-X-1532
3206-Q-1005	3202-L-6564
3206-Q-1083	3202-B-5228
3206-Q-1083	3202-P-7816
3206-Q-1135	3202-A-9855
3206-Q-1135	3202-G-9159
3206-Q-1135	3202-P-9896
3206-Q-1135	3202-P-9896S
3206-Q-1135	3202-S-6779
3206-Q-1135	3202-X-6056
3206-Q-1161	3202-G-9393
3206-Q-1161	3202-Q-8805
3206-Q-1161	3202-Y-9489
3206-Q-1239	3202-G-5077
3206-Q-1265	3202-Y-9047
3206-Q-1291	3202-L-3574
3206-Q-1577	3202-G-7625
3206-Q-1577	3202-J-3338
3206-Q-1577	3202-P-6074
3206-Q-1577	3202-R-9560
3206-Q-1577	3202-T-6728
3206-Q-1577	3202-U-2959
3206-Q-1577	3202-U-7977
3206-Q-1577	3202-U-9875
3206-Q-1577	3202-V-9902
3206-Q-1577	3202-W-3039
3206-Q-1577	3202-W-6783
3206-Q-1577	3202-W-9877
3206-Q-1577	3206-X-1090
3206-Q-1941	3206-R-1942
3206-R-1006	3202-W-5899
3206-R-1032	3202-A-9101
3206-R-1032	3202-L-6356
3206-R-1110	3202-P-8050
3206-R-1136	3202-M-6253
3206-R-1136	3202-R-9898
3206-R-1136	3202-Y-8111
3206-R-1162	3202-J-9344
3206-R-1162	3202-Y-9125
3206-R-1188	3202-J-6770
3206-R-1188	3202-J-9916
3206-R-1188	3202-L-9918
3206-R-1188	3202-M-9867
3206-R-1188	3202-N-6774
3206-R-1188	3202-P-6776
3206-R-1188	3202-W-9409
3206-R-1188	3202-Y-3925

Meritor Forging No.	Meritor Finish No.
3206-R-1188	3206-M-1495
3206-R-1214	3202-J-7836
3206-R-1240	3202-F-5076
3206-R-1292	3202-W-9877
3206-R-1344	3206-S-1345
3206-R-1344	3206-U-1347
3206-R-1500	3206-S-1501
3206-R-1500	3206-W-1089S
3206-R-1578	3202-E-3359
3206-R-1578	3202-E-4451
3206-R-1578	3202-X-6784
3206-S-1033	3202-C-9103
3206-S-1033	3202-N-6358
3206-S-1033	3206-L-1572
3206-S-1085	3202-F-9002
3206-S-1137	3202-U-7379
3206-S-1163	3202-K-9345
3206-S-1163	3202-Z-9126
3206-S-1163	3206-Q-1759
3206-S-1189	3202-Q-9897
3206-S-1189	3202-X-8110
3206-S-1189	3202-Z-3666
3206-S-1215	3202-G-3075
3206-S-1215	3202-K-7837
3206-S-1241	3202-G-8405
3206-S-1293	3202-J-3338
3206-S-1579	3202-P-8050
3206-T-1008	3202-S-6363
3206-T-1112	3202-M-3237
3206-T-1138	3202-E-9495
3206-T-1138	3202-W-7745
3206-T-1138	3202-Z-7384
3206-T-1242	3202-G-2971
3206-T-1268	3202-C-9597
3206-T-1294	3202-U-2959
3206-T-1580	3202-N-7450
3206-T-1580	3202-Y-7877
3206-U-1009	3202-X-7980
3206-U-1035	3202-Q-9845
3206-U-1035	3206-B-1562
3206-U-1035	3206-C-1563
3206-U-1139	3202-C-7387
3206-U-1139	3202-R-9456
3206-U-1165	3202-C-9129
3206-U-1165	3202-H-8666
3206-U-1165	3202-J-9396
3206-U-1165	3202-J-9552
3206-U-1165	3202-L-9346

Meritor Forging No.	Meritor Finish No.
3206-U-1165	3206-G-1593
3206-U-1217	3202-N-7840
3206-U-1217	3202-W-3741
3206-U-1243	3202-F-3906
3206-U-1269	3202-E-9599
3206-U-1295	3202-E-3359
3206-U-1581	3202-E-7415
3206-U-1581	3202-G-5623
3206-U-1581	3202-H-2686
3206-U-1581	3202-P-7868
3206-U-1581	3202-Q-7869
3206-U-1581	3202-T-7820
3206-U-1581	3202-W-9175
3206-U-1581	3202-Y-9177
3206-V-1010	3202-Z-7982
3206-V-1140	3202-G-9887
3206-V-1166	3202-D-9130
3206-V-1166	3202-F-9886
3206-V-1166	3202-V-9824
3206-V-1218	3202-U-7847
3206-V-1244	3202-E-5075
3206-V-1244	3202-J-8070
3206-V-1348	3206-W-1349
3206-V-1348	3206-X-1480
3206-V-1478	3206-U-1477
3206-V-1582	3202-B-5072
3206-V-1582	3202-M-6851
3206-W-1011	3202-B-7984
3206-W-1011	3202-Q-6361
3206-W-1115	3202-F-6766
3206-W-1115	3202-N-3498
3206-W-1141	3202-Q-7713
3206-W-1141	3202-Z-8112
3206-W-1167	3202-E-9391
3206-W-1167	3202-W-9149
3206-W-1167	3202-W-9643
3206-W-1219	3202-Q-8051
3206-W-1219	3202-Q-8389
3206-W-1245	3202-S-6311
3206-W-1297	3202-P-6074
3206-W-1479	3206-T-1476
3206-W-1583	3202-A-5071
3206-W-1583	3202-B-9050
3206-W-1583	3202-L-3002
3206-W-1583	3202-P-6100
3206-W-1583	3202-Y-9281
3206-X-1012	3202-P-8362
3206-X-1116	3202-G-6767

AXLE SHAFT FORGING TO FINISH NUMBER

Meritor Forging No.	Meritor Finish No.
3206-X-1116	3202-P-3500
3206-X-1142	3202-V-8420
3206-X-1168	3202-A-9127
3206-X-1168	3202-B-3512
3206-X-1168	3202-D-3540
3206-X-1168	3202-E-9495
3206-X-1168	3202-E-9573
3206-X-1168	3202-F-3516
3206-X-1168	3202-F-6766
3206-X-1168	3202-F-9392
3206-X-1168	3202-F-9496
3206-X-1168	3202-G-9159
3206-X-1168	3202-G-9393
3206-X-1168	3202-H-6768
3206-X-1168	3202-H-9004
3206-X-1168	3202-J-9370
3206-X-1168	3202-L-9892
3206-X-1168	3202-M-3237
3206-X-1168	3202-M-9893
3206-X-1168	3202-N-3498
3206-X-1168	3202-N-9868
3206-X-1168	3202-N-9894
3206-X-1168	3202-Q-7713
3206-X-1168	3202-R-6778
3206-X-1168	3202-R-9898
3206-X-1168	3202-S-6779
3206-X-1168	3202-T-8418
3206-X-1168	3202-U-9823
3206-X-1168	3202-V-6054
3206-X-1168	3202-V-8420
3206-X-1168	3202-V-9148
3206-X-1168	3202-W-9149
3206-X-1168	3202-W-9643
3206-X-1168	3202-X-3508
3206-X-1168	3202-X-3924
3206-X-1168	3202-X-6056
3206-X-1168	3202-Y-8683
3206-X-1168	3202-Y-9853
3206-X-1168	3202-Z-3718
3206-X-1168	3202-Z-7384
3206-X-1168	3202-Z-8112
3206-X-1168	3202-Z-9854
3206-X-1168	3202-Z-9880
3206-X-1168	3206-A-1535
3206-X-1168	3206-B-1536
3206-X-1168	3206-D-1538
3206-X-1168	3206-D-1590
3206-X-1168	3206-J-1492

Meritor Forging No.	Meritor Finish No.
3206-X-1168	3206-T-1502
3206-X-1168	3206-U-1841
3206-X-1168	3206-V-1504
3206-X-1194	3202-J-6770
3206-X-1194	3202-K-9891
3206-X-1194	3202-N-2588
3206-X-1194	3202-N-6774
3206-X-1194	3202-P-6776
3206-X-1194	3202-W-9409
3206-X-1194	3202-Y-3925
3206-X-1194	3206-T-1190
3206-X-1194	3206-W-1193
3206-X-1220	3202-E-9001
3206-X-1246	3202-R-6388
3206-X-1298	3202-N-6072
3206-X-1350	3206-A-1353
3206-X-1350	3206-Y-1351
3206-X-1350	3206-Y-1481
3206-Y-1117	3202-L-9502
3206-Y-1169	3202-K-9891
3206-Y-1169	3202-M-9867
3206-Y-1221	3202-B-5228
3206-Y-1221	3202-G-3075
3206-Y-1221	3202-J-7836
3206-Y-1221	3202-K-7837
3206-Y-1221	3202-P-7816
3206-Y-1221	3202-U-7847
3206-Y-1247	3202-X-6472
3206-Y-1273	3202-P-9870
3206-Y-1273	3206-U-1087
3206-Y-1299	3202-V-9876
3206-Y-1507	3206-Z-1508
3206-Y-1585	3202-C-9051
3206-Y-1585	3202-Q-3007
3206-Z-1014	3202-N-9608
3206-Z-1014	3202-W-9461
3206-Z-1066	3206-A-1067
3206-Z-1066	3206-B-1068
3206-Z-1118	3202-F-3516
3206-Z-1118	3202-G-9393
3206-Z-1196	3202-K-9891
3206-Z-1196	3202-L-7734
3206-Z-1196	3202-P-9142
3206-Z-1222	3202-N-7450
3206-Z-1222	3202-Y-7877
3206-Z-1248	3202-D-6712
3206-Z-1248	3202-S-7975
3206-Z-1300	3202-E-4451

Meritor Forging No.	Meritor Finish No.
3206-Z-1586	3202-G-9601

AXLE SHAFT SUPERCESSION LISTING

Old Number	New Number	Old Number	New Number	Old Number	New Number
3202-A-3667	3202-U-6729	3202-C-6243	No Longer Available	3202-F-4894	No Longer Available
3202-A-4759	No Longer Available	3202-C-8141	No Longer Available	3202-F-6064	No Longer Available
3202-A-6111	No Longer Available	3202-C-8505	No Longer Available	3202-F-6402	No Longer Available
3202-A-6579	No Longer Available	3202-C-8687	No Longer Available	3202-F-6792	3202-Y-8189
3202-A-6605	No Longer Available	3202-C-8739	3202-L-9892S	3202-F-7936	No Longer Available
3202-A-6657	No Longer Available	3202-C-8765	No Longer Available	3202-F-7962	No Longer Available
3202-A-7723	No Longer Available	3202-C-9155	No Longer Available	3202-F-8508	No Longer Available
3202-A-7749	3202-G-9783	3202-C-9259	No Longer Available	3202-F-8534	No Longer Available
3202-A-7879	No Longer Available	3202-C-9285	No Longer Available	3202-F-9054	No Longer Available
3202-A-8529	No Longer Available	3202-C-9337	3202-U-9589	3202-F-9262	No Longer Available
3202-A-8659	3202-F-9886S	3202-C-9493	No Longer Available	3202-F-9418	No Longer Available
3202-A-8685	No Longer Available	3202-C-9519	No Longer Available	3202-F-9782	No Longer Available
3202-A-9179	No Longer Available	3202-C-9675	No Longer Available	3202-F-9808	No Longer Available
3202-A-9257	No Longer Available	3202-C-9779	No Longer Available	3202-F-9912	3802-R-1838
3202-A-9413	3202-B-9050	3202-C-9883	No Longer Available	3202-F-9990	No Longer Available
3202-A-9647	No Longer Available	3202-D-1096	No Longer Available	3202-G-3439	No Longer Available
3202-A-9673	No Longer Available	3202-D-2734	No Longer Available	3202-G-3569	No Longer Available
3202-A-9751	No Longer Available	3202-D-2942	No Longer Available	3202-G-4739	No Longer Available
3202-A-9881	No Longer Available	3202-D-3514	No Longer Available	3202-G-4765	No Longer Available
3202-B-3694	No Longer Available	3202-D-4450	No Longer Available	3202-G-6273	No Longer Available
3202-B-3720	No Longer Available	3202-D-4762	No Longer Available	3202-G-6611	No Longer Available
3202-B-4266	No Longer Available	3202-D-5074	No Longer Available	3202-G-7469	No Longer Available
3202-B-4474	No Longer Available	3202-D-6374	No Longer Available	3202-G-7547	No Longer Available
3202-B-4760	No Longer Available	3202-D-6660	No Longer Available	3202-G-7911	No Longer Available
3202-B-7698	No Longer Available	3202-D-7544	No Longer Available	3202-G-8119	No Longer Available
3202-B-7724	No Longer Available	3202-D-7960	3202-Q-9117	3202-G-8249	No Longer Available
3202-B-7750	3202-H-9784	3202-D-8558	No Longer Available	3202-G-9263	No Longer Available
3202-B-8504	No Longer Available	3202-D-8584	No Longer Available	3202-G-9783	No Longer Available
3202-B-8530	No Longer Available	3202-D-9286	No Longer Available	3202-G-9913	No Longer Available
3202-B-8660	3202-G-9887S	3202-D-9494	No Longer Available	3202-G-9991	No Longer Available
3202-B-8738	3202-K-9891S	3202-D-9884	No Longer Available	3202-H-3700	No Longer Available
3202-B-8790	No Longer Available	3202-D-9988	No Longer Available	3202-H-4714	3202-U-9875S
3202-B-9128	No Longer Available	3202-E-2891	No Longer Available	3202-H-4766	No Longer Available
3202-B-9258	No Longer Available	3202-E-3567	No Longer Available	3202-H-5520	No Longer Available
3202-B-9336	3202-T-9588	3202-E-3671	No Longer Available	3202-H-6664	3802-K-1857
3202-B-9414	3202-C-9051	3202-E-4763	No Longer Available	3202-H-6794	3202-A-8191
3202-B-9492	No Longer Available	3202-E-6375	No Longer Available	3202-H-7548	No Longer Available
3202-B-9674	No Longer Available	3202-E-7545	No Longer Available	3202-H-8120	No Longer Available
3202-B-9752	No Longer Available	3202-E-7909	3202-P-4930	3202-H-8250	No Longer Available
3202-B-9882	No Longer Available	3202-E-8507	No Longer Available	3202-H-9238	No Longer Available
3202-C-2993	No Longer Available	3202-E-9417	No Longer Available	3202-H-9576	3202-U-9563
3202-C-3045	No Longer Available	3202-E-9807	No Longer Available	3202-H-9784	No Longer Available
3202-C-3357	No Longer Available	3202-E-9885	No Longer Available	3202-H-9888	No Longer Available
3202-C-3539	No Longer Available	3202-E-9911	No Longer Available	3202-J-2974	No Longer Available
3202-C-4761	No Longer Available	3202-E-9989	No Longer Available	3202-J-3026	No Longer Available
3202-C-4891	No Longer Available	3202-F-2736	No Longer Available	3202-J-4742	No Longer Available
3202-C-5073	No Longer Available	3202-F-2762	No Longer Available	3202-J-6120	No Longer Available
3202-C-6113	No Longer Available	3202-F-2892	No Longer Available	3202-J-6276	No Longer Available

AXLE SHAFT SUPERCESSION LISTING

Old Number	New Number	Old Number	New Number	Old Number	New Number
3202-J-6666	3802-L-1858	3202-L-9580	No Longer Available	3202-Q-2591	3202-E-8195
3202-J-6796	3202-B-8192	3202-L-9606	No Longer Available	3202-Q-3423	No Longer Available
3202-J-7810	No Longer Available	3202-L-9814	No Longer Available	3202-Q-3449	3206-W-1089S
3202-J-8252	No Longer Available	3202-L-9996	3202-J-9994	3202-Q-5009	3202-V-9876S
3202-J-9240	No Longer Available	3202-M-2717	No Longer Available	3202-Q-7557	No Longer Available
3202-J-9422	No Longer Available	3202-M-2717	No Longer Available	3202-Q-7999	No Longer Available
3202-J-9578	3202-X-9566	3202-M-3653	No Longer Available	3202-Q-8103	No Longer Available
3202-J-9604	No Longer Available	3202-M-4927	No Longer Available	3202-Q-8129	No Longer Available
3202-J-9682	No Longer Available	3202-M-6071	No Longer Available	3202-Q-9351	3202-C-9779
3202-J-9864	No Longer Available	3202-M-7423	No Longer Available	3202-Q-9377	No Longer Available
3202-J-9890	No Longer Available	3202-M-7553	No Longer Available	3202-Q-9637	No Longer Available
3202-J-9994	No Longer Available	3202-M-7631	No Longer Available	3202-Q-9793	No Longer Available
3202-K-3807	No Longer Available	3202-M-7683	No Longer Available	3202-Q-9871	3206-V-1088S
3202-K-3911	No Longer Available	3202-M-7995	No Longer Available	3202-Q-9871S	3206-V-1088S
3202-K-5107	No Longer Available	3202-M-8177	No Longer Available	3202-Q-9923	No Longer Available
3202-K-6069	No Longer Available	3202-M-8359	No Longer Available	3202-R-5010	3202-W-9877S
3202-K-7473	No Longer Available	3202-M-8515	No Longer Available	3202-R-5530	No Longer Available
3202-K-7551	No Longer Available	3202-M-8931	No Longer Available	3202-R-6570	No Longer Available
3202-K-7993	No Longer Available	3202-M-8957	No Longer Available	3202-R-8130X	No Longer Available
3202-K-8409	No Longer Available	3202-M-9243	3802-W-1999	3202-R-8208	No Longer Available
3202-K-8513	No Longer Available	3202-M-9269	No Longer Available	3202-R-9170	No Longer Available
3202-K-9241	No Longer Available	3202-M-9581	No Longer Available	3202-R-9794	No Longer Available
3202-K-9267	No Longer Available	3202-M-9997	3202-K-9995	3202-R-9872	3206-W-1089S
3202-K-9423	No Longer Available	3202-N-3446	3206-V-1088S	3202-R-9872S	3206-W-1089S
3202-K-9449	No Longer Available	3202-N-4876	No Longer Available	3202-R-9924	No Longer Available
3202-K-9553	No Longer Available	3202-N-6124	No Longer Available	3202-S-2593	3202-F-8196
3202-K-9579	No Longer Available	3202-N-6202	3202-X-3508	3202-S-3347	No Longer Available
3202-K-9605	No Longer Available	3202-N-6852	No Longer Available	3202-S-3451	3206-X-1090S
3202-K-9995	No Longer Available	3202-N-7632	No Longer Available	3202-S-3581	3202-T-9874
3202-L-2976	No Longer Available	3202-N-7658	No Longer Available	3202-S-5011	3202-X-9878S
3202-L-3340	No Longer Available	3202-N-7684	No Longer Available	3202-S-5323	No Longer Available
3202-L-3444	3206-U-1087S	3202-N-7736	3202-M-4927	3202-S-7559	No Longer Available
3202-L-3652	No Longer Available	3202-N-8048	No Longer Available	3202-S-7663	No Longer Available
3202-L-4874	No Longer Available	3202-N-9244	3802-X-2000	3202-S-8079	No Longer Available
3202-L-5628	No Longer Available	3202-N-9582	No Longer Available	3202-S-8131	No Longer Available
3202-L-6122	No Longer Available	3202-N-9790	No Longer Available	3202-S-8703	No Longer Available
3202-L-6382	No Longer Available	3202-N-9920	No Longer Available	3202-S-8807	3202-M-9893S
3202-L-6772	No Longer Available	3202-P-4930	No Longer Available	3202-S-9015	No Longer Available
3202-L-7422	No Longer Available	3202-P-7660	No Longer Available	3202-S-9171	No Longer Available
3202-L-7448	No Longer Available	3202-P-8102	No Longer Available	3202-S-9587	No Longer Available
3202-L-7552	No Longer Available	3202-P-8492	No Longer Available	3202-S-9743	No Longer Available
3202-L-7656	No Longer Available	3202-P-9012	No Longer Available	3202-S-9821	No Longer Available
3202-L-8176	No Longer Available	3202-P-9428	No Longer Available	3202-S-9873	3206-X-1090S
3202-L-8358	No Longer Available	3202-P-9584	3202-R-9898S	3202-S-9873S	3206-X-1090S
3202-L-8696	No Longer Available	3202-P-9792	No Longer Available	3202-S-9925	No Longer Available
3202-L-8930	No Longer Available	3202-P-9870S	3206-U-1087S	3202-T-2152	No Longer Available
3202-L-9164	No Longer Available	3202-P-9922	No Longer Available	3202-T-5038	No Longer Available
3202-L-9450	No Longer Available	3202-Q-2513	No Longer Available	3202-T-5844	No Longer Available

AXLE SHAFT SUPERCESSION LISTING

Old Number	New Number	Old Number	New Number	Old Number	New Number
3202-T-6390	No Longer Available	3202-W-8031	No Longer Available	3202-Y-9073	No Longer Available
3202-T-7664	No Longer Available	3202-W-8421	No Longer Available	3202-Y-9099	3202-K-9241
3202-T-7690X	No Longer Available	3202-W-8681	No Longer Available	3202-Y-9515	No Longer Available
3202-T-8132	No Longer Available	3202-W-8811	3202-P-9896S	3202-Y-9619	No Longer Available
3202-T-8210	No Longer Available	3202-W-9071	No Longer Available	3202-Y-9645	No Longer Available
3202-T-8522	No Longer Available	3202-W-9097	No Longer Available	3202-Y-9749	No Longer Available
3202-T-8678	No Longer Available	3202-W-9383	No Longer Available	3202-Y-9827	No Longer Available
3202-T-8808	3202-N-9894S	3202-W-9513	No Longer Available	3202-Y-9879	No Longer Available
3202-T-9016	No Longer Available	3202-W-9617	No Longer Available	3202-Y-9905	No Longer Available
3202-T-9458	No Longer Available	3202-W-9903	No Longer Available	3202-Z-3120	No Longer Available
3202-T-9588	No Longer Available	3202-W-9929	No Longer Available	3202-Z-3484	No Longer Available
3202-T-9744	No Longer Available	3202-W-9955	No Longer Available	3202-Z-3692	No Longer Available
3202-T-9770	No Longer Available	3202-X-3742	No Longer Available	3202-Z-4758	No Longer Available
3202-T-9874	No Longer Available	3202-X-4860	No Longer Available	3202-Z-7462	No Longer Available
3202-T-9900	No Longer Available	3202-X-5198	No Longer Available	3202-Z-7488	No Longer Available
3202-U-4753	No Longer Available	3202-X-5406	No Longer Available	3202-Z-7566	No Longer Available
3202-U-6573	No Longer Available	3202-X-6602	No Longer Available	3202-Z-7696	No Longer Available
3202-U-7483	No Longer Available	3202-X-7460	No Longer Available	3202-Z-7800	No Longer Available
3202-U-7561	No Longer Available	3202-X-7538	No Longer Available	3202-Z-7826	No Longer Available
3202-U-8003	No Longer Available	3202-X-7564	No Longer Available	3202-Z-7878	No Longer Available
3202-U-8081	3202-U-8991	3202-X-7616	3202-Z-9880S	3202-Z-8424	No Longer Available
3202-U-8367	No Longer Available	3202-X-7668	No Longer Available	3202-Z-8502	No Longer Available
3202-U-8679	No Longer Available	3202-X-7902	No Longer Available	3202-Z-9282	No Longer Available
3202-U-9017	No Longer Available	3202-X-8422	No Longer Available	3202-Z-9646	No Longer Available
3202-U-9251	No Longer Available	3202-X-8578	No Longer Available	3202-Z-9672	No Longer Available
3202-U-9355	No Longer Available	3202-X-8786	No Longer Available	3202-Z-9750	No Longer Available
3202-U-9459	No Longer Available	3202-X-8812	3202-Q-9897S	3202-Z-9906	No Longer Available
3202-U-9563	No Longer Available	3202-X-9072	No Longer Available	3206-C-1823	No Longer Available
3202-U-9589	No Longer Available	3202-X-9098	No Longer Available	3206-D-1824	No Longer Available
3202-U-9615	No Longer Available	3202-X-9514	No Longer Available	3206-F-1228	No Longer Available
3202-U-9901	No Longer Available	3202-X-9566	No Longer Available	3206-G-1541	3206-E-1955
3202-V-6470	No Longer Available	3202-X-9592	No Longer Available	3206-K-1051	No Longer Available
3202-V-7536	No Longer Available	3202-X-9800	No Longer Available	3206-N-1496	No Longer Available
3202-V-7562	No Longer Available	3202-X-9878	No Longer Available	3206-S-1059	No Longer Available
3202-V-8004	No Longer Available	3202-X-9930	No Longer Available	3206-Z-1092	No Longer Available
3202-V-8030	No Longer Available	3202-X-9956	No Longer Available	3206-Z-1352	3202-F-9340
3202-V-8576	No Longer Available	3202-Y-3041	No Longer Available	3206-Z-1534	No Longer Available
3202-V-8680	No Longer Available	3202-Y-3249	No Longer Available		
3202-V-9018	No Longer Available	3202-Y-3301	No Longer Available		
3202-V-9096	No Longer Available	3202-Y-4809	No Longer Available		
3202-V-9356	No Longer Available	3202-Y-4861	No Longer Available		
3202-V-9590	3802-V-1140	3202-Y-5407	No Longer Available		
3202-V-9746	No Longer Available	3202-Y-6109	No Longer Available		
3202-W-3455	No Longer Available	3202-Y-7461	No Longer Available		
3202-W-6107	No Longer Available	3202-Y-7513	No Longer Available		
3202-W-7563	No Longer Available	3202-Y-7617	3202-H-9862S		
3202-W-7667	No Longer Available	3202-Y-7825	No Longer Available		
3202-W-7901	No Longer Available	3202-Y-8423	No Longer Available		

NOTES

NOTES

ARVINMERITOR AFTERMARKET PARTS WARRANTY

We warrant all new parts for one year from date of shipment to the buyer against defective material or workmanship (but not against damage caused by accident, abuse or improper installation, maintenance or repair) when such parts are used on vehicles the specifications of which have been approved by our Engineering Department.

As the exclusive remedy under this warranty, we will, at our option, repair or replace such parts free of charge, or take back the nonconforming parts and refund the monies paid by buyer for such parts, if found on examination by us to be nonconforming and if any necessary return charges are prepaid.

If it is necessary to return any parts under this warranty, buyer agrees not to make any deduction on account thereof from remittances on current accounts while claims are in the process of disposition. Any expense incurred without our consent for repairs or replacement will not be allowed.

THIS WARRANTY IS EXPRESSLY IN LIEU OF ALL OTHER WARRANTIES OR CONDITIONS, EXPRESS, IMPLIED OR STATUTORY, INCLUDING ANY IMPLIED WARRANTY OF MERCHANTABILITY OR FITNESS FOR PARTICULAR PURPOSE. IN NO EVENT SHALL SELLER BE LIABLE FOR INCIDENTAL OR CONSEQUENTIAL DAMAGES OF ANY NATURE.

Only genuine ArvinMeritor replacement parts are covered by this aftermarket parts warranty.

Distributed by:



ArvinMeritor™

Meritor Heavy Vehicle Systems, LLC
7975 Dixie Highway
Florence, Kentucky 41042 USA
888-725-9355

www.meritorhvs.com
www.XpresswayPlus.com

Information contained in this publication was in effect at the time the publication was approved for printing and is subject to change without notice or liability. ArvinMeritor reserves the right to revise the information presented or discontinue the production of parts at any time.

Litho in USA
Revised 06/07
PB-9049 (13028/05060)
©2007 ArvinMeritor, Inc.