

SF6 Insulated Instrument Transformers for Outdoor Installation from 72.5 kV to 300 kV



TRENCH

Full Range of SF6 Insulated Instrument Transformer covering:

- **Current**
- **Voltage**
- **Combined**

Characteristics:

- Outdoor installation
- SF₆ and SF₆-ppr insulation
- Cast aluminium housings
- Conformity to the main international standards for design, test and construction of pressurised enclosures
- Head type design
- Explosion proof
- Maintenance free

Reliable design:

- Well proven experience with sf6 insulation technology
- Dimensioned to withstand phase-to-earth voltage at atmospheric internal gas pressure
- Earthquake resistant
- Computer technology and finite elements analysis to study electric field, mechanical stresses and seismic phenomena
- Quality system complying with iso 9001

Advantages:

- Operation reliability, operation safety
- Pressure relief device
- Remote supervision of insulation condition by monitoring internal gas density
- No ageing

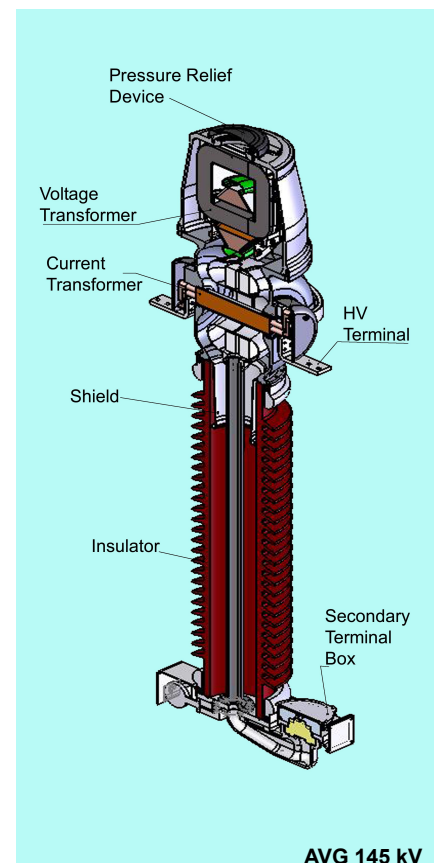
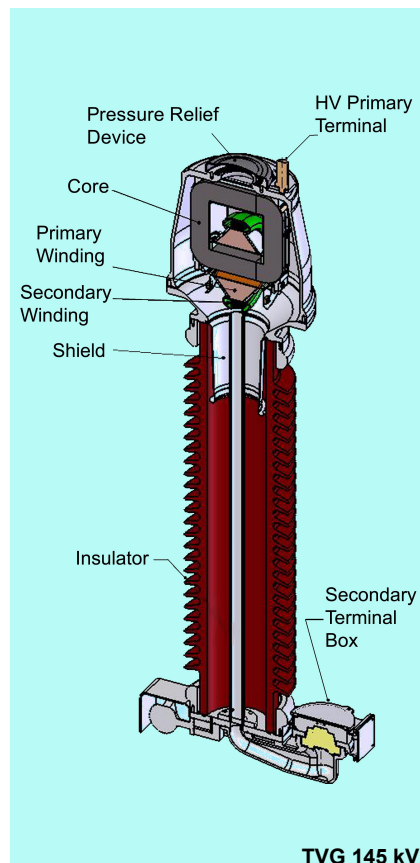
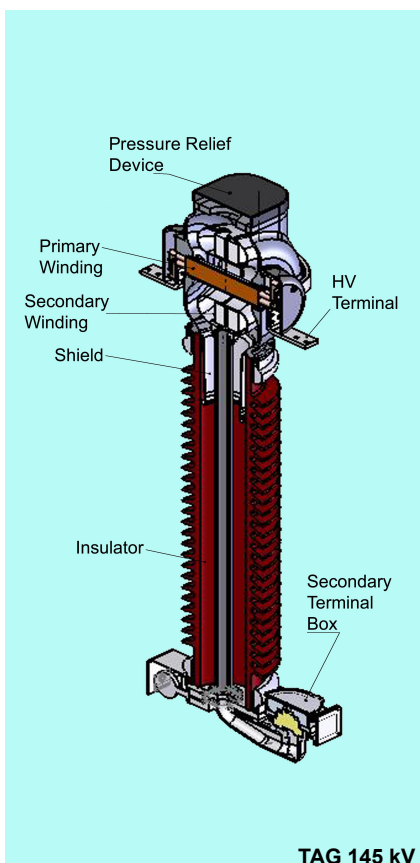
Special Optional availables on request:

- Composite Grey insulator (Standard is equipped with Porcelain Brown)

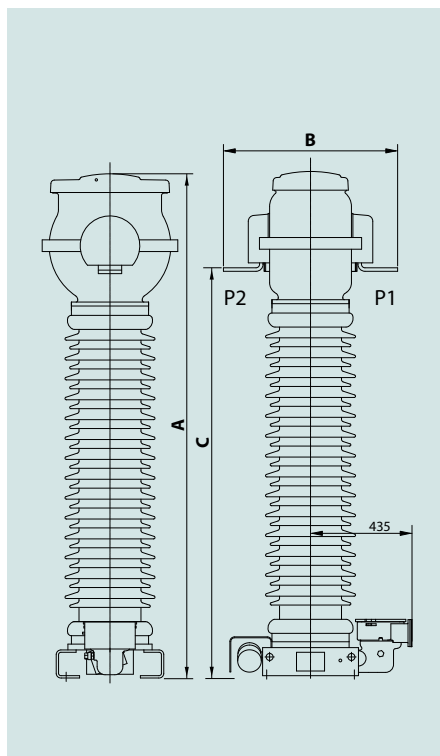
Gas Insulated Current Transformer TAG

Gas Insulated Voltage Transformer TVG

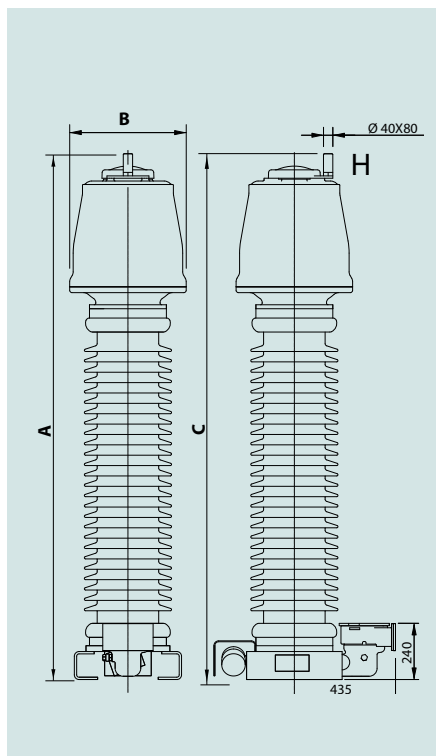
Gas Insulated Combined Measuring Transformer AVG



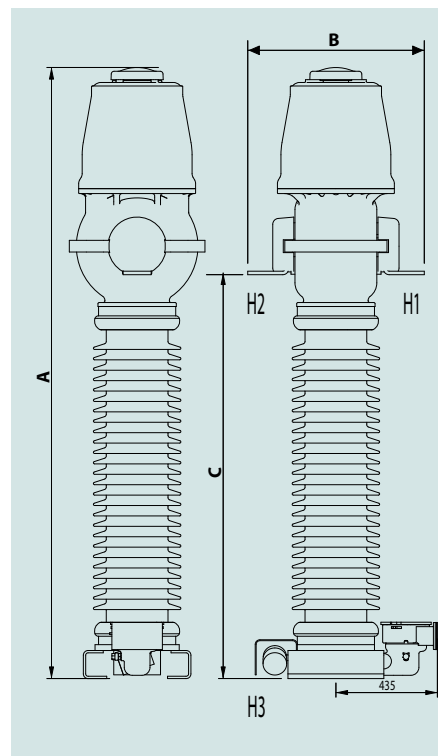
Gas insulated Current Transformer TAG



Gas insulated Voltage Transformer TVG



Gas insulated Combined Measuring Transformer AVG



	Highest system voltage kV (r.m.s.)	Test Voltages			Overall Dimensions			
		Power frequency kV (r.m.s.)	LIWL kV (peak)	SIWL kV (peak)	A mm	B mm	C mm	weight kg
TAG 72	72.5	140	350	-	1560	755	1140	240
TVG 72					1660	500	1660	390
AVG 72					2010	755	1140	440
TAG 123	123	230	550	-	2010	755	1590	290
TVG 123					2110	500	2110	440
AVG 123					2460	755	1590	490
TAG 145	145	275	650	-	2160	755	1740	300
TVG 145					2260	500	2260	450
AVG 145					2610	755	1740	500
TAG170	170	325	750	-	2310	755	1890	350
TVG 170					2410	500	2410	500
AVG 170					2760	755	1890	550
TAG 245 - 300	245	460	1050	-	3300	840	2800	500
TVG 245					3550	600	3550	600
AVG 245	(300) 245	460	1050	850	3900	875	2900	650

note: B and C can change according to HV primary terminals used

LIWL = rated lightning impulse voltage
SIWL = rated switching impulse voltage

Electrical Characteristics

for all type of current transformers:

- primary current up to 4000 A
- thermal current up to 63 kA for 1 s
- n° of cores from 1 to 4

metering accuracy class: 0.2 - 0.5 - 1

protection accuracy class:

- 5P - 10P - TPY - TPX - TPZ for current transformer
- 3P - 6P for voltage transformer



- Trench Italia S.r.l.
 Strada Curagnata, 37
 17014 Bragno-Cairo Montenotte (SV) - Italy
 Phone +39 019 5161 111
 Fax +39 019 5161 401
 E-Mail sales.it@trench-group.com

- Trench Austria GmbH
 Paschinger Strasse 49
 A-4060 Linz-Leonding/Austria
 Phone +43 (0)732 6793-0
 Fax +43 (0)732 671341
 E-Mail sales.at@trench-group.com

- Trench Brasil LTDA
 Via Expressa de Contagem, 2685
 Contagem, MG - Brasil
 CEP: 32370-485
 Phone 55.31.391-5959
 Fax 55.31.391-1828
 E-Mail sales@trench.com.br

- Trench Limited
 Coil Product Division
 71 Maybrook Drive,
 Scarborough, Ontario
 Canada, M1V 4B6
 Phone (416) 298-8108
 Fax (416) 298-2209
 E-Mail sales.ca@trench-group.com

- Trench Limited
 Instrument Transformer Division
 390 Midwest Road,
 Scarborough, Ontario
 Canada, M1P 3B5
 Phone (416) 751-8570
 Fax (416) 751-6952
 E-Mail sales.ca@trench-group.com

- Trench France S.A.
 16, rue du Général Cassagnou
 B.P. 70
 F-68302 St-Louis Cedex/France
 Phone +33.3.89 70 23 23
 Fax +33.3.89 67 26 63
 E-Mail sales.fr@trench-group.com

- Trench Germany GmbH.
 Nürnberger Strasse 199
 D-96050 Bamberg/Germany
 Phone +49.951.1803-0
 Fax +49.951.1803-224
 E-Mail sales.de@trench-group.com

- Trench Switzerland AG.
 Lehenmattstrasse 353
 CH - 4028 Basel/Switzerland
 Phone +41.61.315 51 11
 Fax +41.61.315 59 00
 E-Mail sales.ch@trench-group.com

Data and characteristics indicated in this publication may be varied without notice

06-2009
TI - 001

