
The PICmicro[®] MCU as an IEEE 1451.2 Compatible Smart Transducer Interface Module (STIM)

*Authors: Richard L. Fischer
Microchip Technology Inc.
Jeff Burch
Agilent Technologies*

INTRODUCTION

This application note discusses the organization of the PICmicro MCU and related firmware for developing IEEE 1451.2 Smart Transducer Interface Modules (STIM). Although a detailed understanding of the 1451.2 is not required, a working knowledge of 1451.2 concepts like Transducer Electronic Data Sheet (TEDS), STIMs, data models, etc., is assumed. The purpose of this application note is to provide the developers of a PICmicro MCU based STIM with some key hardware and firmware building blocks, that may be utilized in the development of a STIM.

IEEE-1451.2 OVERVIEW

The IEEE 1451 standard is composed of four parts, 1451.1, 1451.2, 1451.3 and 1451.4. The combination of the four parts (some parts are approved and others are pending) define the signal chain from the analog sensor to the digital network (See Figure 1). The main objectives of the IEEE 1451 standard are to:

- Enable plug and play at the transducer level (sensor or actuator) by providing a common communication interface for transducers.
- Enable and simplify the creation of networked smart transducers.
- Facilitate the support of multiple networks.

The focus of this application note deals with the 1451.2 part of the standard.

The IEEE 1451.2 standard provides the means to connect sensors and actuators to a digital system, typically a network, via a Network Capable Application Processor (NCAP). Figure 2 depicts a general distributed measurement and control application and Figure 3 depicts the functional boundaries relating to the transducer interface standard, namely IEEE 1451.2.

In simplest terms, the IEEE-1451.2 standard does the following:

- Defines a digital interface for connecting transducers to microprocessors.
- Describes a TEDS, “electronic data sheet”, and its data formats.
- Defines an electrical interface, read and write logic functions to access the TEDS, and a wide variety of transducers.

This standard does not specify signal conditioning, signal conversion, or how the TEDS data is used in applications.

There is currently no defined independent digital communication interface between transducers and microprocessors. Each vendor builds its own interface. Without an independent, openly defined interface, transducer interfacing and integration are time consuming and duplicated efforts by vendors are economically unproductive. This interface provides a minimum implementation subset that allows self-identification and configuration of sensors and actuators, and also allows extensibility by vendors to provide growth and product differentiation.

FIGURE 1: IEEE 1451 DEFINES THE SIGNAL CHAIN FROM ANALOG SENSOR TO DIGITAL NETWORK

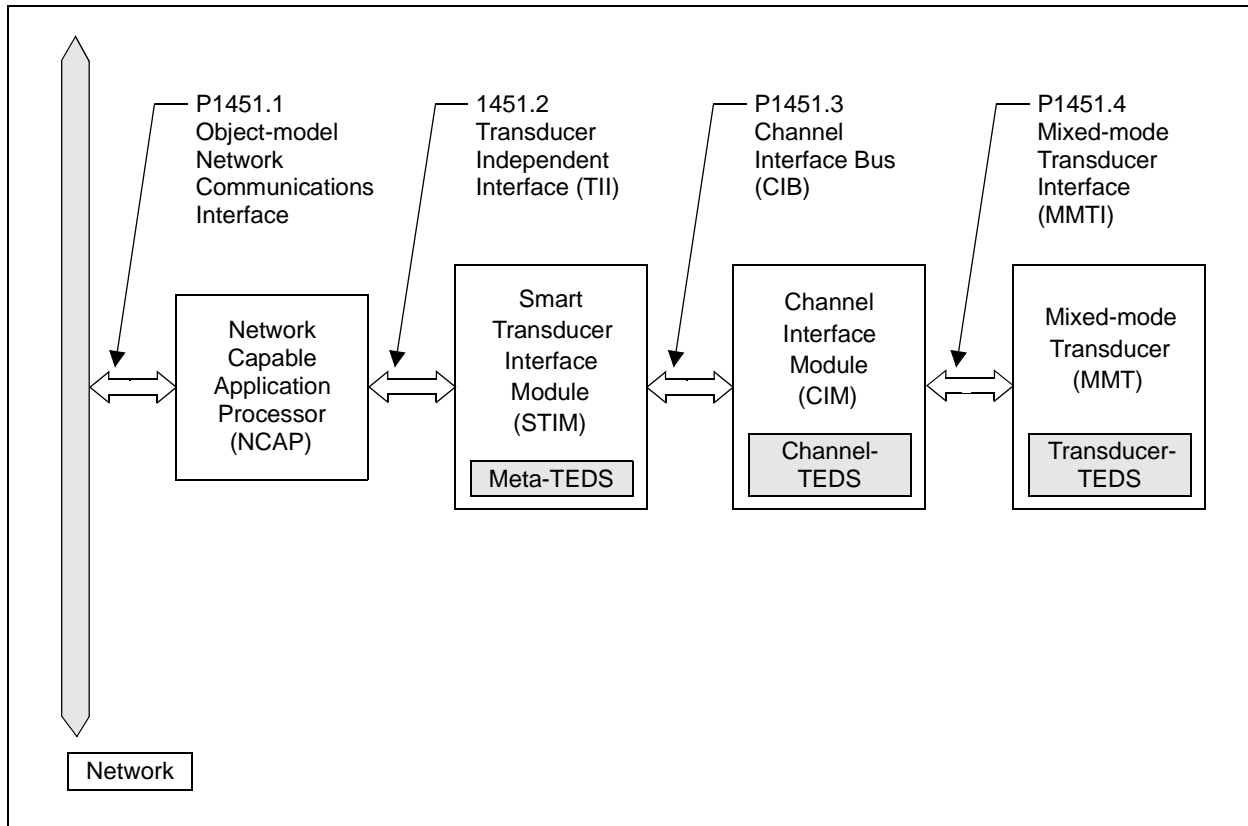
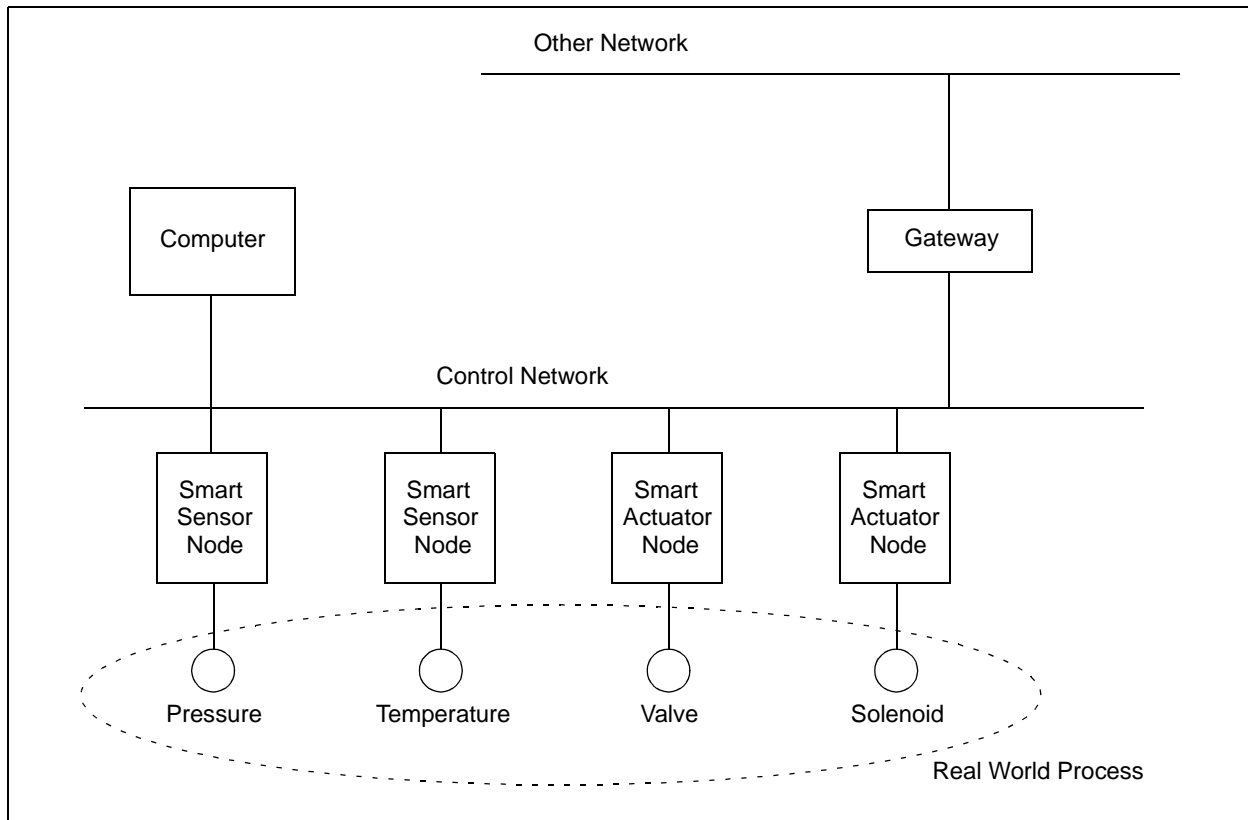


FIGURE 2: GENERAL DISTRIBUTED MEASUREMENT AND CONTROL APPLICATION



WHAT IS AN NCAP?

A STIM works in conjunction with a microprocessor based interface to a communication network. This module, termed a Network Capable Application Processor (NCAP) in the standard, primarily mediates between the STIM (whose interface is computer network independent) and a particular network.

The NCAP may also perform correction of the raw data from the STIM and may include application specific data processing and control functionality (see Figure 3 and Figure 4).

The Hewlett-Packard BFOOT-66501 Embedded Ethernet Controller is the NCAP for this application. The controller is a complete thin web server solution for manufacturers of smart sensors and actuators, or for manufacturers of products with embedded control who need a way to rapidly create smart Ethernet-ready devices that can scale to complete solutions. The BFOOT-66501 supports TCP/IP, FTP and HTTP protocols.

FIGURE 3: CONTEXT FOR THE TRANSDUCER INTERFACE SPECIFICATION

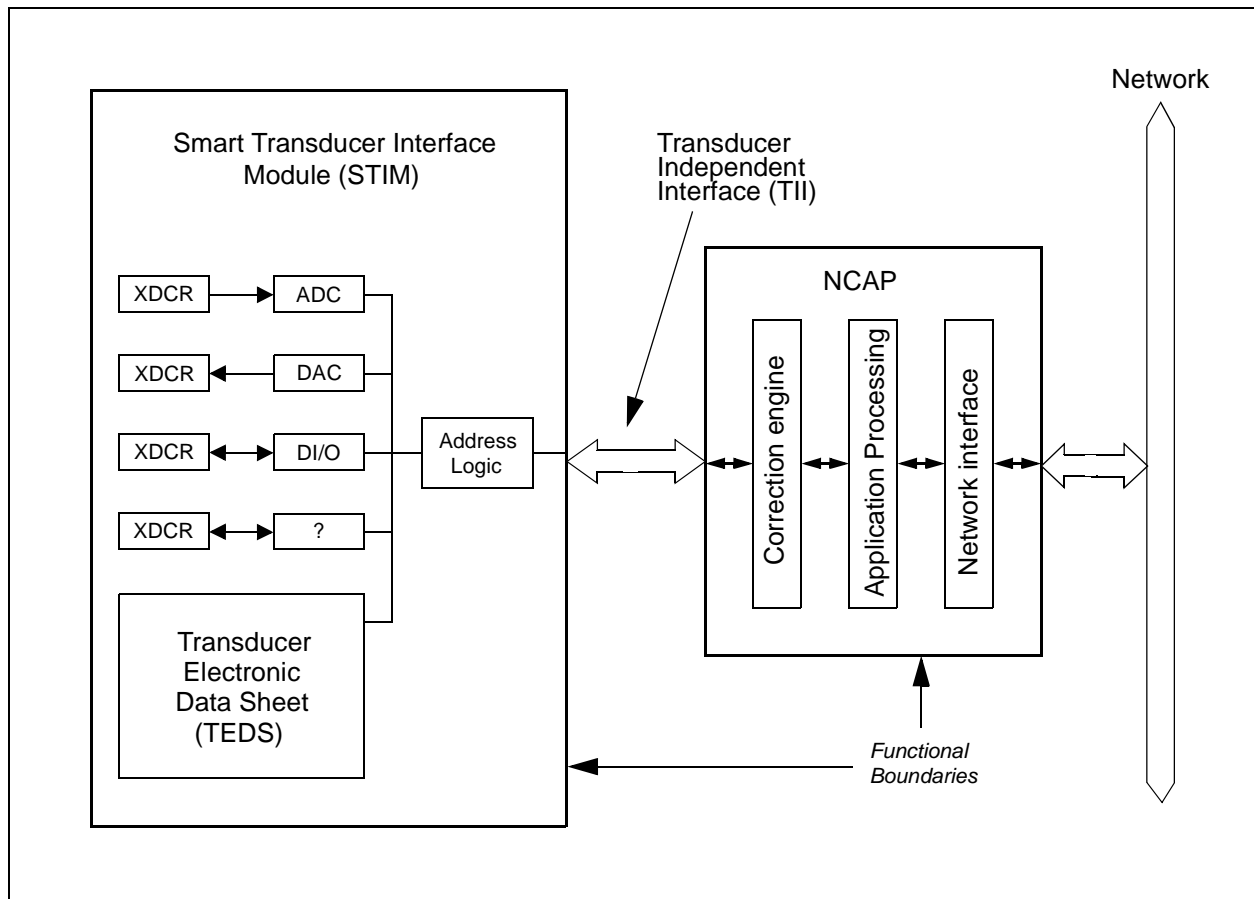
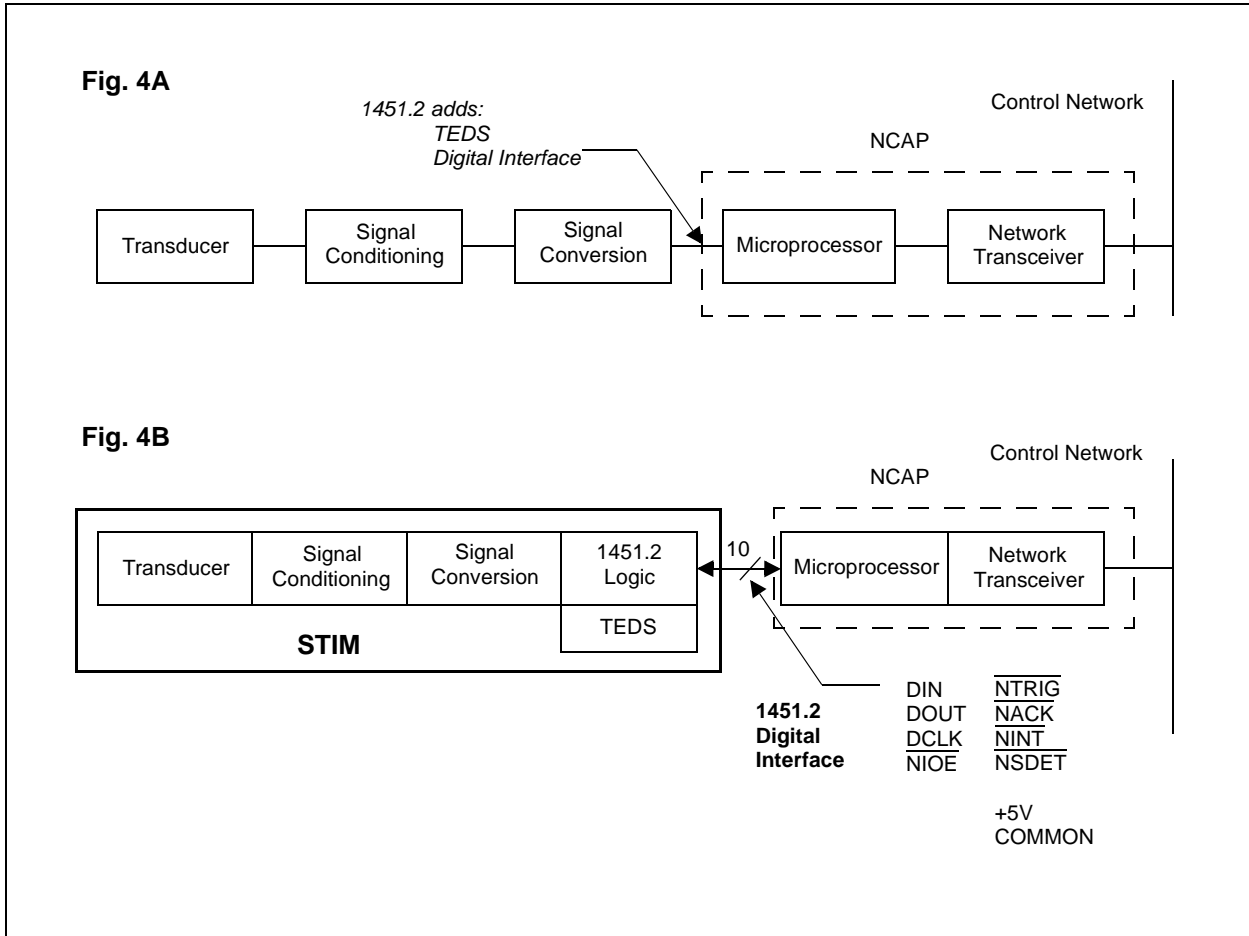


FIGURE 4: BLOCK DIAGRAMS FOR A GENERAL SMART TRANSDUCER AND A 1451.2 COMPATIBLE TRANSDUCER



WHAT IS A STIM?

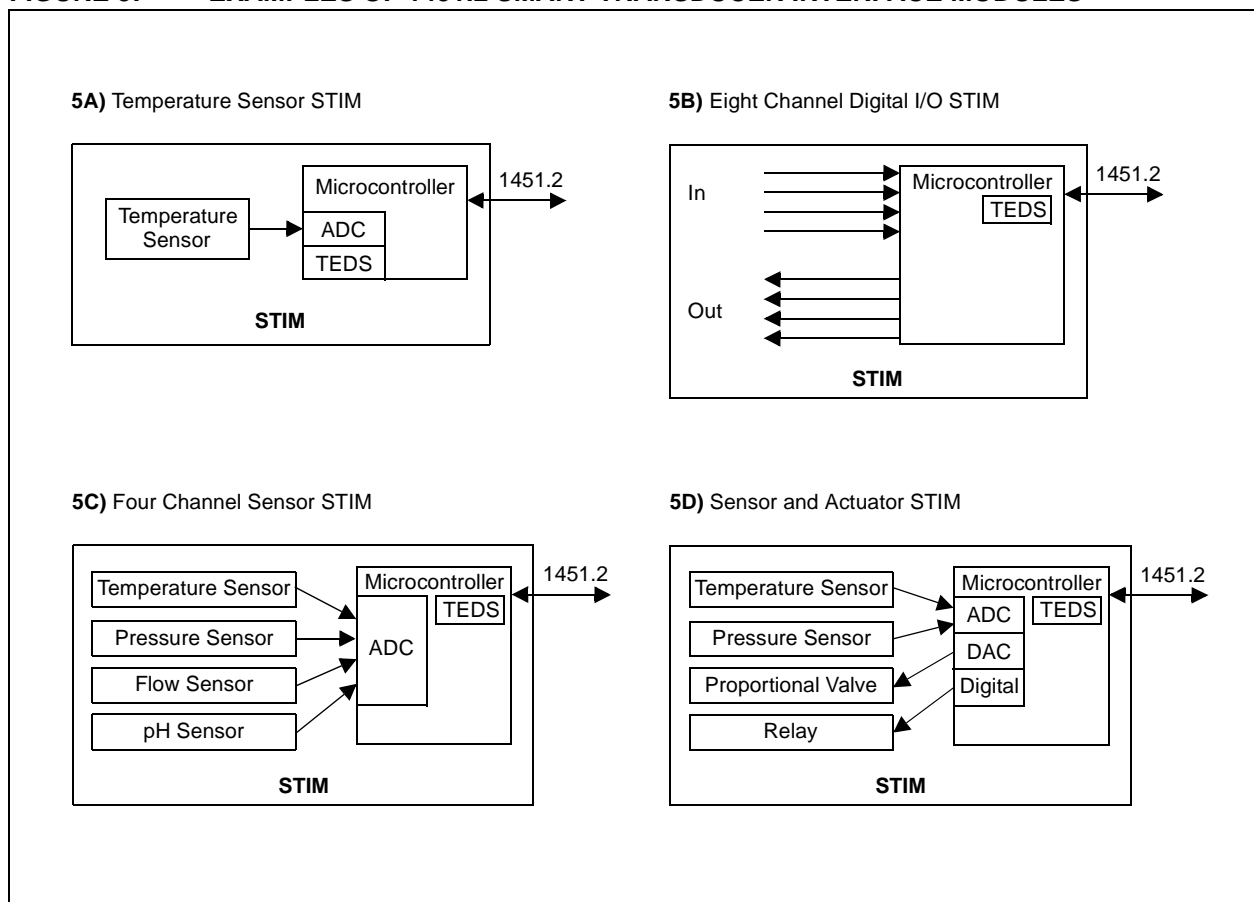
The IEEE 1451.2 standard introduces the concept of the STIM. A STIM can range in complexity from a single sensor or actuator, to many channels (up to 255 channels) of transducers (sensors or actuators). Examples of STIM's are shown in Figure 5.

A transducer channel is denoted "smart" in this context because of the following three features:

- It is described by a machine-readable Transducer Electronic Data Sheet (TEDS).
- The control and data associated with the channel are digital.
- Triggering, status, and control are provided to support the proper functioning of the channel.

A STIM contains the TEDS, logic to implement the transducer interface, the transducer(s) and any signal conversion or signal conditioning. A STIM is controlled by a NCAP module by means of a dedicated digital interface. This interface is not a network. The NCAP mediates between the STIM and a digital network, and may provide local intelligence. It is desirable that the STIM and NCAP add little size or cost to the transducer(s) they describe and interface. TEDS memory requirements are typically less than two kilobytes. These size and cost considerations also restrict the computing power available in the NCAP.

FIGURE 5: EXAMPLES OF 1451.2 SMART TRANSDUCER INTERFACE MODULES



STIM IMPLEMENTATION

The Microchip PIC16C62A and 93C86 EEPROM are the hardware base for the STIM in this application note. Other PICmicro devices could have been implemented for the STIM, such as the PIC16C773 with a 93C86. Another alternative might be to utilize a Microchip SPI™ protocol based EEPROM device in place of the Microwire® memory device. When developing a STIM, there are several parts that must be addressed:

- STIM Hardware
- NCAP Interface
- Creating the TEDS
- Organization of the Source Code
- Creating the Source Code using the Template

STIM Hardware

The STIM hardware must be capable of supporting the 1451.2 interface, the transducer(s) interface and the TEDS interface (see Figure 6). These three requirements should be considered when selecting a PICmicro device for the STIM. For example, the 1451.2 interface requires 8 pins (plus power and ground), the TEDS interface may require up to 4 pins and the transducer interface will most likely require all remaining pins and possibly more. The 1451.2 interface requires a synchronous data transfer with the respective control signals. Selecting a PICmicro MCU with a SPI peripheral will meet this interface requirement. The trans-

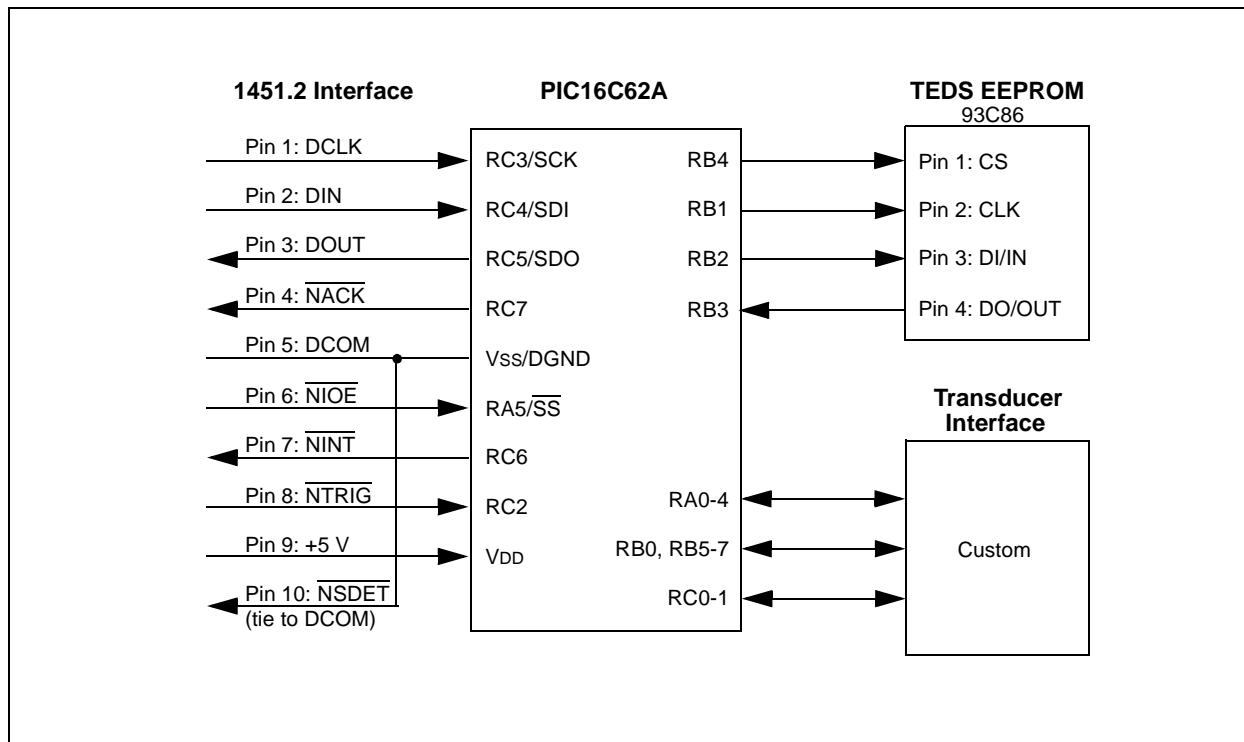
ducer interface will vary, depending upon the STIM functional requirements. For example, if the STIM requires an ADC, what are the requirements:

- 8- 10- or 12-bit ADC?
- What is the sample rate required?
- Can the ADC on a PICmicro MCU be utilized?
- Is an external stand-alone ADC required, e.g., the Microchip MCP3201.

These are questions which the STIM developer must answer. If the STIM requires a 12-bit ADC, then the PIC16C771 or PIC16C773 may be a solution. Likewise, if the STIM requires a 10-bit ADC, then you might use the PIC16C717 or FLASH PIC16F873 and eliminate the external EEPROM. Remember that a STIM can support up to 255 transducer channels. This STIM capability alone may dictate the selection of the PICmicro device for the STIM.

Finally, the TEDS interface must be evaluated. The size of the TEDS will, for the most part, depend on the number of transducer channels that the STIM supports. The TEDS is read, written and used by the NCAP. The TEDS holds information, such as: sensitivity, serial number, model number, date of last calibration, specific model number data characteristics, etc. If the STIM MCU is OTP based, then an external EEPROM device is required. If the STIM MCU is FLASH based, such as the PIC16F873, then no external EEPROM is required, since you may use the FLASH program memory for the TEDS.

FIGURE 6: STIM INTERFACE BLOCK DIAGRAM



NCAP Interface

The physical connection between the NCAP and the PIC16C62A (STIM) is a 10-pin Transducer Independent Interface (TII) (see Figure 6). The TII is built around a synchronous serial communications based on the Serial Peripheral Interface (SPI) protocol. The recommended TII pin assignments are listed in Table 1, which also indicates whether each physical signal is considered an input or output by the NCAP and the STIM. The TII logical signal definitions and functions are shown in Table 2, which also indicates whether a signal is positive or negative logic and whether it is level or edge sensitive. The SSP module of the PIC16C62A is used for SPI communications between the NCAP and STIM. When developing the TEDS, one parameter to consider is the maximum data rate for SPI transfers. The respective PICmicro MCU specification should also be considered for this TEDS entry.

The 1451.2 interface provides for the sequence of reading and writing between the NCAP and the STIM. The top level protocols are read frame, write frame and triggering. The general data transfer protocol is shown in Figure 7.

In addition to the logical signals described above, the TII also supplies power and a common ground reference to the STIM. The NCAP supplies up to 75 mA at $5V \pm 0.20V_{DC}$ to the STIM. The standard provides for supplemental power, independent of the NCAP, if needed for sensitive or high-power transducers, but only the NCAP can provide power for the STIM interface control circuitry.

Finally, the connector type is left up to the developer of the STIM. The IEEE-1451.2 standard does not call out a connector type. However, the standard does recommend that the STIM connector be:

- At least ten pins
- Male (because the STIM will not supply power)
- Polarized

For this STIM implementation, a 2x5 polarized connector is implemented.

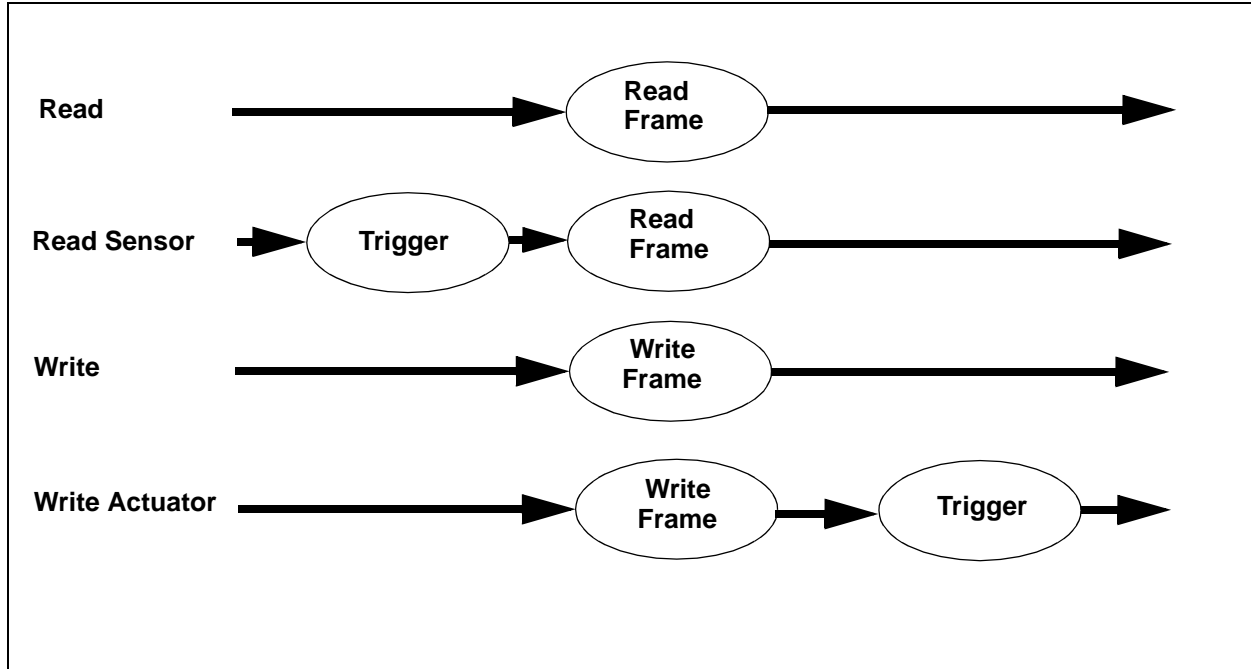
TABLE 1: RECOMMENDED TII PIN ASSIGNMENTS

Pin Number	Signal Name	Wire Color	Direction for NCAP	Direction for STIM
1	DCLK	brown	OUT	IN
2	DIN	red	OUT	IN
3	DOUT	orange	IN	OUT
4	\overline{NACK}	yellow	IN	OUT
5	COMMON (GROUND)	green	POWER	POWER
6	\overline{NIOE}	blue	OUT	IN
7	\overline{NINT}	violet	IN	OUT
8	\overline{NTRIG}	gray	OUT	IN
9	POWER (5 VDC)	white	POWER	POWER
10	\overline{NSDET}	black	IN	OUT

TABLE 2: TII SIGNAL DEFINITION

Line	Logic	Driven By	Function
DIN	Positive logic	NCAP	Transports address and data from NCAP to STIM
DOUT	Positive logic	STIM	Transports data from STIM to NCAP
DCLK	Positive edge	NCAP	Positive-going edge latches data on both DIN and DOUT
\overline{NIOE}	Active low	NCAP	Signals that the data transport is active and delimits data transport framing
\overline{NTRIG}	Negative edge	NCAP	Performs triggering function
\overline{NACK}	Negative edge	STIM	Serves two functions: 1. Trigger acknowledge 2. Data transport acknowledge
\overline{NINT}	Negative edge	STIM	Used by the STIM to request service from the NCAP
\overline{NSDET}	Active low	STIM	Used by the NCAP to detect the presence of a STIM
POWER	N/A	NCAP	Nominal 5V power supply
COMMON	N/A	NCAP	Signal common or ground

FIGURE 7: GENERAL DATA TRANSFER PROTOCOL



Creating the Transducer Electronic Data Sheet (TEDS)

Creating the TEDS is recommended before you start firmware development. Through this process, you will have sufficient information to develop the custom transducer interface firmware. The key decisions that must be made are outlined below:

- Define how many channels will be provided by the STIM
- Define the data type for each channel (e.g., sensor, actuator, event sensor, etc.)
- Define the data model for each channel (e.g., integer, float, doubles, etc.)
- Define which channels (if any) have data repetitions

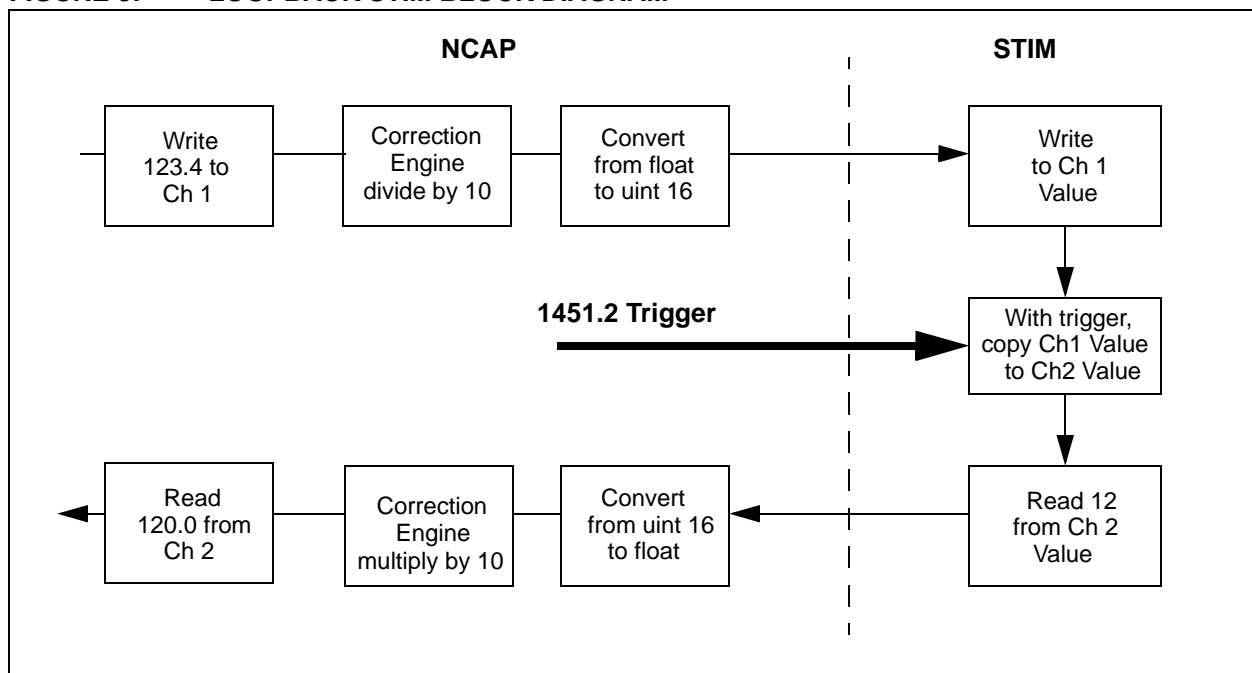
It is recommended to use a TEDS Editor when creating the actual TEDS. A template TEDS is provided as part of this application note (stimTemp.ted). Usually, you will load it into the editor and make appropriate modifications. The template TEDS (stimTemp.ted) specifies a two-channel loopback STIM. This is illustrated in Figure 8.

If desired, you can initially set each channel to CAL_NONE to disable the correction process. This will save you some time, because you will not need to specify the correction model. Later, after your STIM is functional, you may edit the TEDS file to provide this information.

Channel 1 is a 16-bit actuator and Channel 2 is a 16-bit sensor. When the device is triggered, the cached actuator value is copied to the sensor data buffer. The actuator has a “divide by 10” and the sensor has a “multiply by 10” correction. With the conversion from float to unsigned short integer (uint16), the following loopback transformation occurs: 1) Write channel 1 with 123.4; 2) Read 120 from channel 2. The intervening steps are as follows:

1. 123.4 gets converted to 12.34 by the correction engine.
2. The value is truncated to 12 before being written to the STIM channel 1.
3. Reading channel 2 receives 12 from the STIM.
4. This value is converted to 120.00 by the correction engine.

FIGURE 8: LOOPBACK STIM BLOCK DIAGRAM



TEDS Timing Parameters

The timing parameters in the template TEDS (stimTemp.ted) are appropriate for a PIC16C62A operating at 10 MHz.

The key timing parameters are provided in Table 3 below. Note that the stimTemp.c has very little 'real' work to do. Consequently, these values are about as fast as is practical, given for a PICmicro MCU running at 10 MHz. Of course, a PICmicro MCU operating at 20 MHz and hand-crafted assembly will yield additional time savings. Figure 9 presents a typical timing sequence for a triggered channel 0 read.

TABLE 3: STIM TIMING PARAMETERS

1451.2 Section	Description	Value
Meta TEDS		
5.1.3.17	Worst Case Channel Warm-up Time	1 msec.
5.1.3.18	Command Response Time (Maximum time to process any command)	100 µsec.
5.1.3.19	STIM Handshake time (Time to remove trigger acknowledge)	10 µsec.
5.1.3.20	End-of-Frame Detection Latency (Maximum time between 1451.2 transactions)	50 µsec.
5.1.3.21	TEDS Hold-off Time	1.2 msec
5.1.3.22	Operational Hold-off Time	50 µsec.
5.1.3.23	Maximum Data Rate	5 Mbps
Channel TEDS		
5.2.3.21	Channel Update Time (Maximum time to acknowledge a trigger)	6 µsec.
5.2.3.22	Channel Write Setup Time (Time between end of write frame and application of trigger)	15 µsec.
5.2.3.23	Channel Read Setup Time (Time between trigger back and start of read frame)	160 µsec.
5.2.3.24	Channel Sampling Period (Minimum time between back-to-back triggers)	160 µsec.
5.2.3.25	Channel Warm-up Time	1 msec
5.2.3.26	Channel Aggregate Hold-off Time (The total time for the data transport frame at maximum data rate. This includes byte-pacing delays added by the STIM)	75 µsec.
5.2.3.27	Timing Correction (Correction of timestamp for a given channel with channel 0 trigger)	1 µsec.
5.2.3.28	Trigger Accuracy (Accuracy of Timing Correction)	1 µsec.

FIGURE 9: TRIGGERED CHANNEL ZERO READ

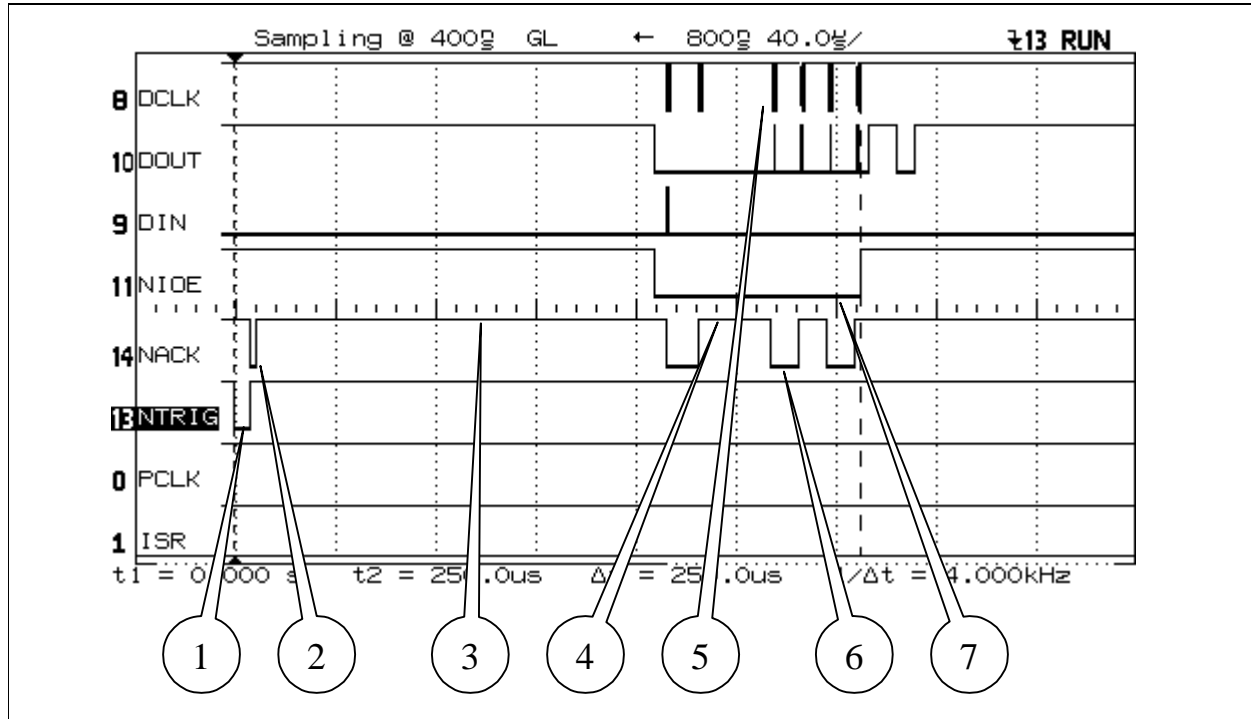


Figure 9 represents a 1451.2 bus data transport during a triggered channel 0 read. Note that six bytes are transferred across the 1451.2 bus for this transaction (i.e., function address of 128, channel of 0, MSB of channel 1, LSB of channel 1, MSB of channel 2 and LSB of channel 2). In this measurement, the logic analyzer trigger signal condition was the STIM acknowledgment of the NCAP trigger (first falling edge of the NACK signal). Various points of interest are identified on the figure and discussed below.

1. Channel Update Time.
2. STIM Handshake Time.
3. Channel Read Setup Time. The NCAP will wait this long before dropping $\overline{\text{NIOE}}$ to begin the read data transaction. In the `stimtemp.c` implementation, the NCAP delay gives the STIM time to perform any status updates and interrupt processing. In a STIM with measurement hardware, this time would most likely be dominated by ADC conversion delays.
4. The increased delay between the end of the channel selector byte and the transmission of the first byte of the data frame. This delay happens when the PICmicro device is processing the function code and dispatching to the `transducer_read()` function.
5. This is the 8 DCLK edges that clock the transfer of a single byte across the 1451.2 interface. In the STIM, the DCLK rate is 5Mbps.
6. This is the time for the PICmicro device to perform the byte-handshake.
7. The channel 0 read operation is longer than the Channel Aggregate Hold-off Time.

Organization of the Source Code

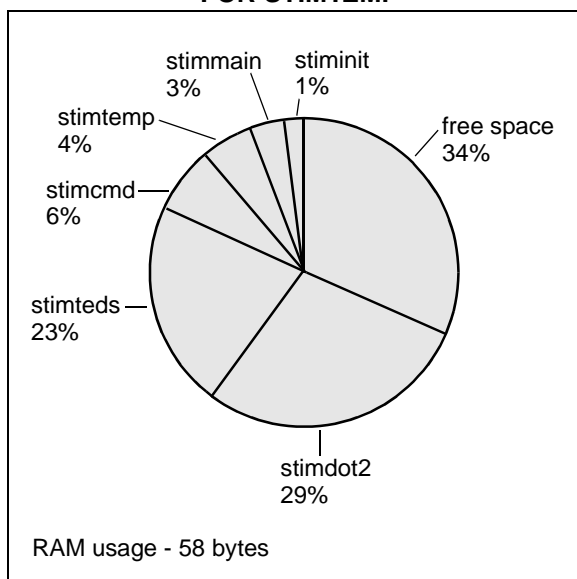
The source code is divided into the following files. All files are in a common subdirectory, unless noted. Table 4 lists the source code files and provides a brief

functional description. The source code files are provided in Appendix A. The RAM and program memory requirements for this STIM implementation are shown in Figure 10.

TABLE 4: SOURCE CODE FILES

File Name	File Destination	Description
stimmain.c	PICmicro MCU	This is the main event processing loop for the firmware. You should not need to modify this file.
stim.h	PICmicro MCU	Global STIM variable definitions and function prototypes. You should not need to modify this file.
stimdot2.c	PICmicro MCU	This source file provides the functions to manage the 1451.2 communications. You should not need to modify this file.
stimdot2.h	PICmicro MCU	Variable references and macros utilized for 1451.2 communications and process support. You should not need to modify this file.
stimteds.c	PICmicro MCU	This source file provides functions to manage communication with the TEDS EEPROM and reading or writing TEDS blocks. No modification of this file is required unless you change the memory type for the TEDS.
stimteds.h	PICmicro MCU	Reference linkage for variables and functions and PICmicro MCU pin definitions for communicating with TEDS. No modification of this file is required unless you change the memory type for the TEDS.
stimtemp.c	PICmicro MCU	This is a source code template that you will modify for your STIM. Typically, this is the only file you will need to study. Make a copy of this file and rename as appropriate.
stimtemp.h	PICmicro MCU	Reference linkage for variables and functions for the template.c file. You should not need to modify this file.
stiminit.c	PICmicro MCU	This source file provides functions to manage the PICmicro MCU initialization. Depending on the STIM configuration, this file may require modifications.
stiminit.h	PICmicro MCU	PICmicro MCU PORT and TRIS definitions. Depending on the STIM configuration, this file may require modifications.
stimcmd.c	PICmicro MCU	This file is used to process the functional and channel address commands issued by the NCAP over the 1451.2 interface. The functions called are located in the stimtemp.c, stimteds.c and stimdot2.c files. You should not need to modify this file.
stimcmd.h	PICmicro MCU	Reference linkage for variables and functions.
pic.h	PICmicro MCU	PICmicro MCU processor definition file. This is a Hi-Tech specific file. No modification of this file is required.
common.h	PICmicro MCU	Common information for all source files, including 1451.2 interface pin definitions.
cnfig62a.h	PICmicro MCU	PICmicro MCU configuration bit definition file. You should not need to modify this file.
generateVersion.cpp	PC	Source code for the PC or HPUX tool to generate the STIM version string.
generateVersion	PC	HPUX executable.
generateVersion.exe	PC	WIN32 executable.

Note: The PICmicro MCU based source files were built with the Hi-Tech PICC Compiler tool, version 7.85.

FIGURE 10: PROGRAM MEMORY USAGE FOR STIMTEMP

Creating the Source Code using the Template

Create a new source code module using the supplied template (stimtemp.c). It is recommended that you first copy stimtemp.c to some new file (e.g. mystim.c). Perform the following steps (also outlined in stimtemp.c):

1. Define the maximum number of channels on the STIM with the `#define MAX_NUM_CHANNELS` macro. This is used to allocate memory for the status, mask, aux_status and aux_mask registers. This macro is located in the common.h file.
2. Run the "generateVersion" executable (on either the HPUX or WIN32) and provide a single command line parameter for your STIM. For example: `generateVersion myStim_v1.0`. Copy and paste the output into your source file. For this STIM, the output is copied into the stimtemp.c file.
3. If your STIM hardware uses different pins than those shown in Figure 6, modify the `#define` statements to override the pin assignments. For the 1451.2 interface pin definitions, see the common.h file. For the TEDS interface pin definitions, see the stimteds.h file.
4. Provide the `#defines` for the tri-state configuration and initial port values (e.g. `TRIS_A_VAL` and `INIT_A_VAL`). Since this is done on a byte basis (rather than bit), careful attention should be paid to not alter the values for the 1451.2 or TEDS EEPROM pins. The default values are presented in the stiminit.h file. A value of '1' in the tri-state register will set the corresponding pin to an input.
5. If you need to override any default processing in the generic code, define the appropriate macro. For example, to implement a non-supported 1451.2 function for a channel 0 operation, provide the following declaration and macro (see Table 5). Note that most parameters are available as global parameters and are therefore, not passed as arguments:


```
void transducer_initialize( void );
void transducer_trigger( void );
void transducer_read( unsigned char chnl );
void transducer_write( unsigned char chnl );
```
6. Declare the following functions:


```
void transducer_initialize( void );
void transducer_trigger( void );
void transducer_read( unsigned char chnl );
void transducer_write( unsigned char chnl );
```
7. Implement the above functions:
 - `transducer_initialize()` - Set up the transducer to its RESET condition. This function will be called immediately following the configuration of the tri-state registers.
 - `transducer_trigger()` - Perform the 1451.2 trigger function. The `trig_chnl_addr` global variable holds the current trigger address. Normally, the standard `trigger()` function can be called at the end of this function, to perform the 1451.2 trigger handshake operation.
 - `transducer_read()` - Send data to the NCAP by performing the 1451.2 read operation. The `chnl_addr` global variable holds the current channel address. Be prepared to generate a 1451.2 channel 0 read frame, if requested. The `chnl_addr` will be zero in this case. The `wr_1451_byte()` function should be used to send data to the 1451.2 bus.
 - `transducer_write()` - Receive data from the NCAP by performing the 1451.2 write operation. The `chnl_addr` global variable holds the current channel address. Be prepared to receive a 1451.2 channel 0 write frame if requested. The `chnl_addr` will be zero in this case. The `rd_1451_byte()` function should be used to read each data byte from the 1451.2 bus.

TABLE 5: MACROS TO MODIFY STANDARD STIM PROCESSING

Macro Name	Function	Default Value
DEFAULT_1451DOT2_FUNCTION	Default processing for 1451.2 function codes.	post_inval_cmd()
DEFAULT_1451DOT2_COMMAND	Default processing for 1451.2 commands.	post_inval_cmd()
RESET_1451DOT2_COMMAND	Perform the RESET function for a 1451.2 channel or STIM.	standard_reset()
AFTER_1451DOT2_FRAME	After processing the payload portion of the transport. Note: The frame may still be active if the NCAP is trying to read too many bytes. For test purposes only.	
AFTER_PROCESS_TEDS_PROLOG	After processing the TEDS header. For test purposes only.	
CHECK_WRITE_PROTECT	Check if the TEDS is write protected. If true, this macro should invoke post_inval_cmd() and return.	

Managing Status, Mask and Interrupts

By default, this code provides full support for STIM status, interrupt mask, auxiliary status and auxiliary interrupt mask registers (function code 130, 132, 133 and 134). This is provided at both the global and channel levels.

Because the auxiliary registers are optional, a simple mechanism is provided to disable their implementation. Just define NO_AUX_STATUS_REGISTERS, which is located in the common.h file. This decreases RAM and ROM usage. For example, RAM decreases by $4 * \text{numChannels} + 2$ for the auxiliary status and mask registers.

The STIM will generate an interrupt as illustrated in Figures 10 and 11 of the 1451.2 standard. Note that for each channel, the auxiliary status can generate interrupts through two different paths: 1) through the auxiliary interrupt mask, and 2) through the auxiliary status bit in the channel status register, when combined with that channel's interrupt mask.

Similarly, each channel can generate an interrupt through two paths: 1) through its service request bit, and 2) through the STIM's global status register and the global interrupt mask.

Structure of the TEDS EEPROM Data

The following table describes the EEPROM header used by the current code. The actual data blocks follow the 1451.2 standard.

TABLE 6: STRUCTURE OF THE TEDS EEPROM DATA

TEDS Structure	Address (hex)	Length (bytes)	Field Comment	
File Header	0	2	LITTLE ENDIAN: address of directory, currently 8	
	2	2	LITTLE ENDIAN: number of channels (N)	
	4	2	LITTLE ENDIAN: TEDS image format version number, currently 1	
	6	2	LITTLE ENDIAN: number of TEDS blocks per channel, currently 4	
Begin directory	8	2	LITTLE ENDIAN: address of meta-TEDS	
	10	2	LITTLE ENDIAN: address of meta-ID-TEDS	
	12	2	LITTLE ENDIAN: address of ch 1 channel TEDS	
	14	2	LITTLE ENDIAN: address of ch 1 channel ID TEDS	
	16	2	LITTLE ENDIAN: address of ch 1 calibration TEDS	
	18	2	LITTLE ENDIAN: address of ch 1 calibration ID TEDS	
	20	2	LITTLE ENDIAN: address of ch 2 channel TEDS	
	22	2	LITTLE ENDIAN: address of ch 2 channel ID TEDS	
	24	2	LITTLE ENDIAN: address of ch 2 calibration TEDS	
	26	2	LITTLE ENDIAN: address of ch 2 calibration ID TEDS	
		$i(= 8N+4)$	2	LITTLE ENDIAN: address of ch N channel TEDS
		$i+2$	2	LITTLE ENDIAN: address of ch N channel ID TEDS
		$i+4$	2	LITTLE ENDIAN: address of ch N calibration TEDS
	$i+6$	2	LITTLE ENDIAN: address of ch N calibration ID TEDS	
Begin TEDS data	$J(= i+8)$	1	functional address of first TEDS block	
	$J+1$	1	channel address of first TEDS block	
	$J+2$	4	first TEDS block length header (long int whose value is L)	
	$J+6$	L	first TEDS block plus checksum	
	$K(= J+6+L)$	1	functional address of second TEDS block	
	$K+1$	1	channel address of second TEDS block	
	$K+2$	4	second TEDS block length header (long int whose value is M)	
	$K+6$	M	second TEDS block plus checksum	
		P	1	functional address of last TEDS block
		$P+1$	1	channel address of last TEDS block
		$P+2$	4	last TEDS block length header (long int whose value is Q)
		$P+6$	Q	last TEDS block plus checksum
	$P+6+Q$	2	two null bytes	

Note 1: Numbers in the file header and pointers in the directory block are 16-bit unsigned LITTLE-ENDIAN. Multiple-byte TEDS data fields are BIG-ENDIAN.

- 2: The TEDS blocks are as defined in IEEE 1451.2 draft 3.02.
- 3: Each TEDS block is preceded by two bytes giving the functional address and the channel address by which the block is addressed in the STIM. This identifies the block in the same semantics as the standard and does not depend on absolute address.
- 4: The pointers in the directory point to the beginning of the block structure, NOT to the functional/channel address header. (The last entry in the directory is an exception to this in that it is defined to point to a functional address.)
- 5: The functional/channel address headers provide an alternate way of finding the TEDS block needed. The first two bytes following the last directory entry are the functional and channel address for the first TEDS block. If this block is not the one desired, read the next four bytes as a long integer (which is the length of the TEDS block) and add it to the current read pointer to get the address of the next functional/channel address header. In this way, you can step through memory until you find the TEDS you want. The null bytes after the last TEDS blocks signal the end of the linked list.
- 6: The linked list format allows the addition of other TEDS and TEDS extensions. These will not have pointers in the directory and will have to be addressed by walking through the linked list. Since these are likely to be less frequently accessed, the added time required to do this is of less consequence.

Limitations in the Current Implementation

The current code has the following limitations:

1. The TEDS writing mechanism uses the function code 32 and only accepts a write of the full TEDS file. It does not support writing individual TEDS blocks (except the channel CAL TEDS).
2. The write CAL ID TEDS mechanism is not supported. Currently, it returns `post_inval_cmd()`.

SUMMARY

The goal of the IEEE 1451.2 standard is to provide an industry standard interface to efficiently connect transducers to microcontrollers and to connect microcontrollers to networks. Microchip Technology offers a large portfolio of smart microcontrollers that can be implemented as the STIM for compliance with the IEEE 1451.2 standard.

<p>Note: Information contained in the application note regarding device applications and the like, is intended for suggestion only and may be superseded by updates. No representation or warranty is given and no liability is assumed by Microchip Technology Incorporated, with respect to the accuracy or use of such information, or infringement of patents, or other intellectual property rights arising from such use or otherwise.</p>

REFERENCE MATERIAL

IEEE Std 1451.2-1997, IEEE Standard for a Smart Transducer Interface for Sensors and Actuators - Transducer to Microprocessor Communication Protocols and Transducer Electronic Data Sheet (TEDS) Format

PIC16C6X Data Sheet, Microchip Technology Inc., Document # DS30234

PIC16C717/770/771 Data Sheet, Microchip Technology Inc., Document # DS41120

PIC16C77X Data Sheet, Microchip Technology Inc., Document # DS30275

PIC16F87X Data Sheet, Microchip Technology Inc., Document # DS30292, 1998

PICmicro™ Mid-Range MCU Family Reference Manual, Microchip Technology Inc., Document # DS33023

Software License Agreement

The software supplied herewith by Microchip Technology Incorporated (the "Company") for its PICmicro® Microcontroller is intended and supplied to you, the Company's customer, for use solely and exclusively on Microchip PICmicro Microcontroller products.

The software is owned by the Company and/or its supplier, and is protected under applicable copyright laws. All rights are reserved. Any use in violation of the foregoing restrictions may subject the user to criminal sanctions under applicable laws, as well as to civil liability for the breach of the terms and conditions of this license.

THIS SOFTWARE IS PROVIDED IN AN "AS IS" CONDITION. NO WARRANTIES, WHETHER EXPRESS, IMPLIED OR STATUTORY, INCLUDING, BUT NOT LIMITED TO, IMPLIED WARRANTIES OF MERCHANTABILITY AND FITNESS FOR A PARTICULAR PURPOSE APPLY TO THIS SOFTWARE. THE COMPANY SHALL NOT, IN ANY CIRCUMSTANCES, BE LIABLE FOR SPECIAL, INCIDENTAL OR CONSEQUENTIAL DAMAGES, FOR ANY REASON WHATSOEVER.

APPENDIX A: STIM SOURCE CODE FILES

```

/*****
*
*       The PICmicro as an IEEE 1451.2 Compatible Smart
*       Transducer Interface Module (STIM)
*
*****
*
*  Filename:      stimmain.c
*  Date:         06/27/2000
*  Revision:     1.12
*
*  Contributor:  Richard L. Fischer
*  Company:     Microchip Technology Inc.
*
*  Contributor:  Jeff Burch
*  Company:     Agilent Technologies
*
*
*  Tools:       Hi-Tech PIC C Compiler V7.85
*              MPLAB 5.00.00
*
*****
*
*  System files required:
*
*              stimmain.c
*              stimdot2.c
*              stiminit.c
*              stimateds.c
*              stimcmd.c
*              stimtemp.c
*
*              pic.h      (Hi-Tech file)
*              common.h
*              stim.h
*              stimdot2.h
*              stiminit.h
*              stimateds.h
*              stimcmd.h
*              cnfig62a.h
*              delays.h  (Hi-Tech file)
*
*****
*
*  Notes:
*
*  Device Fosc -> 10.00MHz external crystal
*  WDT -> off
*  Brownout -> on

```

AN214

```
* Powerup timer -> on *
* Code Protect -> off *
* *
* Interrupt sources -> None (at this moment) *
* *
* *
*****/

#include <pic.h> // processor if/def file
#include "cnfig62a.h" // configuration word definitions
#include "common.h" // project commons, etc.
#include "stim.h" //

__CONFIG ( CONBLANK & BODEN_ON & PWRTE_ON & CP_OFF & WDT_OFF & HS_OSC );

/*****/
void main( void )
{
    init_pic_ports(); // set port directions, initialize output values
    transducer_initialize(); // initialize the transducer
    process_teds_prolog(); // read the TEDS prolog
    init_mask_registers( ); // initialize the STIM to generate all interrupts
    init_int_registers( ); // initialize the status registers
    update_nint(); // on status or mask write update NINT

    aborted_1451_io = 0; // initialize global variable

    for ( ; ; )
    {
        NACK_PIN = 1; // set NACK output to idle high

        // ensure de-assertion of NIOE unless abort noted in prev. frame
        // espec. important for 2nd, subseq. passes thru this loop
        // if aborted_1451_io (in prev. frame), do *not* wait for NIOE high

        init_spi( !aborted_1451_io ); // initialize SPI module (Section 6.3.8)
        aborted_1451_io = 0 ; // reset variable
        wrNackDone = 0; // reset variable

        while ( NIOE_PIN ) // await assertion of NIOE (*SS) from NCAP
        {
            if ( !NTRIG_PIN ) // test if NCAP is asserting NTRIG to STIM
            {
                transducer_trigger(); // when trigger asserted, call the user's function
            }
        }

        // At this point the NCAP has asserted NIOE (*SS) to STIM. This signals that the
        // data transport is active and delimits the transport framing

        // Read the 1451.2 functional and channel address
        // NOTE if NIOE (*SS) is de-asserted, abort the rest of frame

        func_addr = rd_1451_byte(); // read the 1451.2 functional address
        if ( aborted_1451_io ) // if global is true
            continue; // start the for loop again

        chnl_addr = rd_1451_byte(); // read the 1451.2 channel address
        if ( aborted_1451_io ) // if global is true
            continue ; // start the for loop again
    }
}
```

```
if ( chnl_addr > num_channels ) // test for valid channel address
{
    post_inval_cmd();           // bad channel address, update status
}
else                            // valid channel address so ...
{
    process_valid_cmd();       // process functional and channel address
}
}
```

AN214

```

/*****
*
*   Filename:      stim.h
*   Date:         06/27/2000
*   Revision:     1.4
*
*   Tools:       Hi-Tech PIC C Compiler V7.85
*               MPLAB 5.00.00
*
*   Description:  Global STIM data and function prototypes
*
*****/

extern void process_valid_cmd();

// ===== Functions and data from stiminit.c =====
extern void  init_pic_ports( void );
extern void  init_spi( uchar await_nioe );

// ===== Functions and data from stimateds.c =====
// EEPROM I/O Functions
extern void  send_ee_bits( uchar databits, uchar bitcount ); // utility for next 3-4
uchar ee_read( unsigned int addr ); // returns status, data is via eeprom_data
uchar ee_write( unsigned int addr ); // returns status, data is via eeprom_data
uchar ee_wr_enable( uchar opcode ); // should receive: EE_EWEN_OP or EE_EWDS_OP

// Standard TEDS reads
void process_teds_prolog(); // init e.g. teds_format_vsn, teds_blks_per_chnl
void rd_meta_teds( void );
void rd_meta_id_teds( void );
void rd_channel_teds( void );
void rd_channel_id_teds( void );
void rd_calibration_teds( void );
void rd_calibration_id_teds( void );

// Extension Read(s)
void rd_fw_version( void );
void rd_full_teds_eeprom( void );

// TEDS Write function(s)
void wr_calibration_teds( void );
void wr_calibration_id_teds( void );
void wr_full_teds_eeprom( void );

// EEPROM globals
uchar eeprom_data; // data for read/write ops.
uchar ee_rd_wr_bit_cntr;
unsigned int teds_addr;
unsigned int teds_addr2;

// STIM-dependent teds image metadata; these are primed from E^2 'prolog'
uchar num_channels;
uchar teds_format_vsn;
uchar teds_blks_per_chnl;

uchar wrNackDone; // Write NACK control
```

```
// ===== Functions and data from stimtemp.c =====
extern void transducer_initialize( void );
extern void transducer_trigger( void );
extern void transducer_read( void );
extern void transducer_write( void );

// ===== Functions and data from stimdot2.c =====
// 1451 Byte I/O Functions
extern uchar rd_1451_byte( void );
extern uchar wr_1451_byte( uchar abyte );
extern void frame_complete( void );
extern uchar frame_aborted( void ); // tests NIOE and aborted_1451_io; sets latter

struct events {
    unsigned int time_expire :1;
    unsigned int             :7;
} flag;

// 1451 Transducer, Global Functions
void rd_status( void );
void rd_aux_status( void );
void rd_trig_chnl_addr( void );
void wr_trig_chnl_addr( void );
void rd_int_mask( void );
void wr_int_mask( void );
void rd_aux_int_mask( void );
void wr_aux_int_mask( void );
void wr_ctrl_cmd( void );
void post_inval_cmd( void );
void update_nint( void );
void standard_trigger( void );
void standard_reset( void );
void init_mask_registers( void );
void init_int_registers( void );

// 1451.2 Driver Globals
uchar func_addr;
uchar chnl_addr;
uchar trig_chnl_addr = 1;

// side-channel status for parties interested in 1451 frame/byte i/o aborts
uchar aborted_1451_io;

// --- status registers ---
// splitting bytes is probably safest (given compilers), easiest, tightest
uchar global_status_lo = 0;
uchar global_status_hi = 0;

uchar chan_status_lo[ MAX_NUM_CHANNELS ];
uchar chan_status_hi[ MAX_NUM_CHANNELS ];

// --- interrupt mask registers ---
uchar global_int_mask_lo;
uchar global_int_mask_hi;

uchar chan_int_mask_lo[ MAX_NUM_CHANNELS ];
```

AN214

```
uchar chan_int_mask_hi[ MAX_NUM_CHANNELS ];

// Note: the aux status registers and mask are optional.
// By default, they are implemented. Define the NO_AUX_STATUS_REGISTERS
// to disable this implementation
#ifndef NO_AUX_STATUS_REGISTERS
    // --- AUX status registers ---
    uchar global_aux_status_lo = 0;
    uchar global_aux_status_hi = 0;

    uchar chan_aux_status_lo[ MAX_NUM_CHANNELS ];
    uchar chan_aux_status_hi[ MAX_NUM_CHANNELS ];

    // --- AUX interrupt mask registers ---
    uchar global_aux_int_mask_lo;
    uchar global_aux_int_mask_hi;

    uchar chan_aux_int_mask_lo[ MAX_NUM_CHANNELS ];
    uchar chan_aux_int_mask_hi[ MAX_NUM_CHANNELS ];
#endif
```

```

/*****
*
*   Filename:      common.h
*   Date:         06/27/2000
*   Revision:     1.4
*
*   Tools:        Hi-Tech PIC C Compiler V7.85
*                 MPLAB 5.00.00
*
*   Description:   Common information for all source files,
*                 including 1451.2 pin definitions.
*
*****/

typedef unsigned char uchar;          // create new type

#define MAX_NUM_CHANNELS 2
// #define NO_AUX_STATUS_REGISTERS

// Set these macros to handle additional global or channel control commands
#ifndef DEFAULT_1451DOT2_COMMAND
#define DEFAULT_1451DOT2_COMMAND post_inval_cmd();
#endif

#ifndef RESET_1451DOT2_COMMAND
#define RESET_1451DOT2_COMMAND standard_reset( );
#endif

#ifndef DEFAULT_1451DOT2_FUNCTION
#define DEFAULT_1451DOT2_FUNCTION post_inval_cmd();
#endif

#define NOP()      asm ("NOP");

/*****
// 1451.2 / NSP physical lines

#ifndef DCLK_PIN
#define DCLK_PIN   RC3           /* Pin 1 of 1451.2 10 pin */
#endif

#ifndef DIN_PIN
#define DIN_PIN    RC4           /* Pin 2 */
#endif

#ifndef DOUT_PIN
#define DOUT_PIN   RC5           /* Pin 3 */
#endif

#ifndef NACK_PIN
#define NACK_PIN   RC7           /* Pin 4 */
#endif

#ifndef NIOE_PIN
#define NIOE_PIN   RA5           /* Pin 6 */
#endif

#ifndef NINT_PIN

```

AN214

```
#define NINT_PIN    RC6           /* Pin 7 */
#endif

#ifndef NTRIG_PIN
#define NTRIG_PIN  RC2           /* Pin 8 */
#endif
```



```
/*
 *
 *   Filename:      cnfig62a.h
 *   Date:         06/27/2000
 *   File Version:  1.00
 *
 *   Compiler:     Hi-Tech PIC C Compiler V7.85
 *
 */
```

```
/***CONFIGURATION BIT DEFINITIONS FOR PIC16C62A PICmicro ***/
```

```
#define CONBLANK          0x3FFF

#define BODEN_ON          0x3FFF
#define BODEN_OFF        0x3FBF
#define CP_ALL           0x00CF
#define CP_75            0x15DF
#define CP_50            0x2AEF
#define CP_OFF           0x3FFF
#define PWRTE_OFF        0x3FFF
#define PWRTE_ON         0x3FF7
#define WDT_ON           0x3FFF
#define WDT_OFF          0x3FFB
#define LP_OSC           0x3FFC
#define XT_OSC           0x3FFD
#define HS_OSC           0x3FFE
#define RC_OSC           0x3FFF
```

AN214

```

/*****
*
*       The PICmicro as an IEEE 1451.2 Compatible Smart
*       Transducer Interface Module (STIM)
*
*****/
*
*  Filename:      stimdot2.c
*  Date:         06/27/2000
*  Revision:     1.8
*
*  Contributor:  Richard L. Fischer
*  Company:     Microchip Technology Inc.
*
*  Contributor:  Jeff Burch
*  Company:     Agilent Technologies
*
*
*  Tools:       Hi-Tech PIC C Compiler V7.85
*              MPLAB 5.00.00
*
*****/
*
*  Files required:
*
*              stimdot2.c
*
*              pic.h      (Hi-Tech file)
*              common.h
*              stimdot2.h
*
*****/
*
*  Notes:
*
*  Description:  Common STIM functions for 1451.2 communication
*
*****/

#include <pic.h>           // processor if/def file
#include "common.h"
#include "stimdot2.h"

void update_nint( void );
void post_inval_cmd( void );

////////////////////////////////////
// Reading/Writing functions (Global)
////////////////////////////////////

// Read a byte from the NCAP
uchar rd_1451_byte( void )
{
    uchar result;          // temp holding register for SSPBUF

    // NIOE is low/asserted on entry; SPI is quiescent; SSPIF is clear
    // global affected: aborted_1451_io; see description in header file

    // ensure frame alive; if not, exit w/o issuing NACK edge
    if ( aborted_1451_io )      // if global is true
        return ( 0x00 );      // return
}

```

```

// Tell the NCAP that we are ready to read this byte.
// do pacing handshake - enable flow of exactly one byte
NACK_PIN ^= 1; // toggle NACK to NCAP

for ( ; ; ) // loop til frame done or byte received
{ // global conveys which occurred
  if ( NIOE_PIN ) // test if *SS pin negated, frame done?
  {
    if ( SSPIF ) // if SPI event true as well ...
      break; // addresses a race; frame DID finish
    else // if SPI event false then..
    {
      aborted_1451_io = 1; // set global to true, indicates abort
      break; // exit for loop
    }
  }
  if ( SSPIF ) // if SPI event true
    break; // exit for loop
}

// unload SPI buffer - good or not
result = SSPBUF; // temp save of SSPBUF contents
SSPIF = 0; // clear hardware event interrupt flag
SSPBUF = 0x00; // set SSPBUF to known contents

return ( result ); // return with byte read from SPI
}

// Write a byte to the NCAP
uchar wr_1451_byte( uchar abyte )
{
  // NIOE is low/asserted on entry; SPI is quiescent; SSPIF is clear
  // global affected: aborted_1451_io ; see descr above

  // ensure frame alive; if not, exit w/o issuing NACK edge
  if ( aborted_1451_io ) // if global is true
    return ( 0x00 );

  // loop til previous frame done or byte done; global conveys which occurred
  if ( wrNackDone ) //
  {
    for ( ; ; )
    {
      if ( NIOE_PIN ) // test if *SS pin negated, frame done?
      {
        if ( SSPIF ) // if SPI event true
          break; // addresses a race; frame DID finish
        else // if SPI event false then..
        {
          aborted_1451_io = 1; // set global to true, indicates abort
          break; // exit for loop
        }
      }
      if ( SSPIF ) // if SPI event true
        break; // exit for loop
    }
  }

  // load outbound byte
  SSPBUF = abyte; // load byte for NCAP to read
  SSPIF = 0; // clear hardware event interrupt flag

  // do pacing handshake - enable flow of exactly one byte
  NACK_PIN ^= 1; // toggle NACK to NCAP
}

```

AN214

```
    wrNackDone = 1;                //
    return ( 0x00 );
}

// Test to see if the NCAP is aborting the 1451.2 transaction.
// Check NIOE and set the aborted_1451_io global
uchar frame_aborted( void )
{
    // check for NIOE deassertion, now or earlier in this frame
    if ( NIOE_PIN )                // is NIOE (*SS) negated ( by NCAP )
        aborted_1451_io = 1;      // capture observance of frame abort

    return ( aborted_1451_io );    // return with condition
}

// Return the STIM's status to the NCAP (high byte then low byte)
void rd_status( void )
{
    if ( chnl_addr )               // channels 1-255 status
    {
        wr_1451_byte( chan_status_hi[ chnl_addr-1 ] );

        // check for NIOE (*SS) deassertion, now or earlier this frame
        if ( aborted_1451_io )     // if global is true
            return;
        wr_1451_byte( chan_status_lo[ chnl_addr-1 ] );

        // clear bits after seen
        chan_status_lo[ chnl_addr-1 ] = 0x00;
        chan_status_hi[ chnl_addr-1 ] = STATUS_OPERATIONAL; // clear bits after seen, leave operational
    }
    else                            // else STIM global status
    {
        wr_1451_byte( global_status_hi );

        // check for NIOE (*SS) deassertion, now or earlier this frame
        if ( aborted_1451_io )     // if global is true
            return;
        wr_1451_byte( global_status_lo );

        // clear bits after seen
        global_status_lo = 0x00;    // clear bits after seen. Note: update_nint( ) will change
    }
    global_status_hi = STATUS_OPERATIONAL; // clear bits after seen, leave operational
}

update_nint();                    // on status or mask write update NINT
}

// Return the STIM's auxiliary status to the NCAP
void rd_aux_status( void )
{
#ifdef NO_AUX_STATUS_REGISTERS
    post_inval_cmd( );            // call post_inval_cmd( )
#else
    if ( chnl_addr )              // channels 1-255 auxiliary status
    {
        wr_1451_byte( chan_aux_status_hi[ chnl_addr-1 ] );

        // check for NIOE (*SS) deassertion, now or earlier this frame
        if ( aborted_1451_io )     // if global is true
```

```

        return;
    wr_1451_byte( chan_aux_status_lo[ chnl_addr-1 ] );

    // clear bits after seen
    chan_aux_status_hi[ chnl_addr-1 ] = 0x00;
    chan_aux_status_lo[ chnl_addr-1 ] = 0x00;

}
else // else STIM global auxiliary status
{
    wr_1451_byte( global_aux_status_hi );

    // check for NIOE (*SS) deassertion, now or earlier this frame
    if ( aborted_1451_io ) // if global is true
        return;
    wr_1451_byte(global_aux_status_lo);

    // clear bits after seen. Note: update_nint( ) will change this.
    global_aux_status_lo = 0x00;
    global_aux_status_hi = 0x00;
}

    update_nint(); // on status or mask write update NINT
#endif
}

// Return the Trigger channel to the NCA
void rd_trig_chnl_addr( void )
{
    wr_1451_byte( trig_chnl_addr );
}

// Set the Trigger channel. Check is performed to prevent setting the trigger address > than
// the number of valid channels.
void wr_trig_chnl_addr()
{
    uchar old_addr;

    old_addr = trig_chnl_addr; // save off current trigger channel
    trig_chnl_addr = rd_1451_byte(); // read in new trigger channel

    if ( trig_chnl_addr > num_channels ) // test if new trigger is out of range
    {
        trig_chnl_addr = old_addr ; // if so, restore trigger channel
        post_inval_cmd(); // set STIM invalid command bit
    }
}

// Return the STIM firmware version. The global vsn_string is accessed.
// Note that this variable is in ROM. (access little slower than RAM, but saves RAM)
void rd_fw_version( void )
{
    unsigned uchar idx ;

    for ( idx=0; idx<sizeof(vsn_string) ; idx++ )
    {
        wr_1451_byte( vsn_string[idx] );

        // check for NIOE deassertion, now or earlier this frame
        if ( aborted_1451_io ) // if global is true
            return;
    }
}

```

```
}

// Initialize the STIM mask and auxiliary mask registers. Default power-up
// value for standard int mask register is all ones and all zeros for
// auxiliary int mask registers.
void init_mask_registers( void )
{
    uchar ch;
    for ( ch=0; ch<num_channels; ch++ )
    {
        chan_int_mask_hi[ ch ] = 0xff;    // all bits on
        chan_int_mask_lo[ ch ] = 0xfe;    // all bits on but LSB

#ifdef NO_AUX_STATUS_REGISTERS
        chan_aux_int_mask_hi[ ch ] = 0x00; // all bits off
        chan_aux_int_mask_lo[ ch ] = 0x00; // all bits off
#endif
    }

    global_int_mask_hi = 0xff;           // all bits on
    global_int_mask_lo = 0xfe;           // all bits on but LSB

#ifdef NO_AUX_STATUS_REGISTERS
    global_aux_int_mask_hi = 0x00;       // all bits off
    global_aux_int_mask_lo = 0x00;       // all bits off
#endif
}

// Initialize the STIM interrupt and aux interrupt registers
void init_int_registers( void )
{
    chnl_addr = 0x00;

    RESET_1451DOT2_COMMAND              // call standard_reset( );
}

// Return the Interrupt mask to the NCAP
void rd_int_mask( void )
{
    if ( chnl_addr )                    // channels 1-255 int mask
    {
        wr_1451_byte( chan_int_mask_hi[ chnl_addr-1 ] );

        // check for NIOE (*SS) deassertion, now or earlier this frame
        if ( aborted_1451_io )          // if global is true
            return;
        wr_1451_byte( chan_int_mask_lo[ chnl_addr-1 ] );
    }
    else                                // else STIM global int mask
    {
        wr_1451_byte( global_int_mask_hi );

        // check for NIOE (*SS) deassertion, now or earlier this frame
        if ( aborted_1451_io )          // if global is true
            return;
        wr_1451_byte( global_int_mask_lo );
    }
}
```

```

// Return the Auxiliary Interrupt mask to the NCAP
void rd_aux_int_mask( void )
{
#ifdef NO_AUX_STATUS_REGISTERS
    post_inval_cmd( );           // call post_inval_cmd( )
#else
    if ( chnl_addr )           // channels 1-255 aux. int mask
    {
        wr_1451_byte( chan_aux_int_mask_hi[ chnl_addr-1 ] );

        // check for NIOE (*SS) deassertion, now or earlier this frame
        if ( aborted_1451_io ) // if global is true
            return;
        wr_1451_byte( chan_aux_int_mask_lo[ chnl_addr-1 ] );
    }
    else                       // else STIM global aux. int mask
    {
        wr_1451_byte( global_aux_int_mask_hi );

        // check for NIOE (*SS) deassertion, now or earlier this frame
        if ( aborted_1451_io ) // if global is true
            return;
        wr_1451_byte( global_aux_int_mask_lo );
    }
}
#endif
}

```

```

// Set the interrupt mask per NCAP command
void wr_int_mask( void )
{
    if ( chnl_addr )           // channels 1-255 int mask
    {
        chan_int_mask_hi[ chnl_addr-1 ] = rd_1451_byte();

        // check for NIOE (*SS) deassertion, now or earlier this frame
        if ( aborted_1451_io ) // if global is true
            return;
        chan_int_mask_lo[ chnl_addr-1 ] = rd_1451_byte();
    }
    else                       // else STIM global int mask
    {
        global_int_mask_hi = rd_1451_byte();

        // check for NIOE (*SS) deassertion, now or earlier this frame
        if ( aborted_1451_io ) // if global is true
            return;
        global_int_mask_lo = rd_1451_byte();
    }

    update_nint();             // on status or mask write update NINT
    // maybe better (tho' slower) to update_nint at frame end
}

```

```

// Set the interrupt mask via NCAP
void wr_aux_int_mask( void )
{
#ifdef NO_AUX_STATUS_REGISTERS
    post_inval_cmd( );
#else
    if ( chnl_addr )           // channels 1-255 aux. int mask
    {
        chan_aux_int_mask_hi[ chnl_addr-1 ] = rd_1451_byte();

        // check for NIOE (*SS) deassertion, now or earlier this frame

```

```
    if ( aborted_1451_io )          // if global is true
        return;
    chan_aux_int_mask_lo[ chnl_addr-1 ] = rd_1451_byte();
}
else                                // else STIM global aux. int mask
{
    global_aux_int_mask_hi = rd_1451_byte();

    // check for NIOE (*SS) deassertion, now or earlier this frame
    if ( aborted_1451_io )          // if global is true
        return;
    global_aux_int_mask_lo = rd_1451_byte();
}

update_nint();                       // on status or mask write update NINT
// maybe better (tho' slower) to update_nint at frame end
#endif
}

// Process global commands (See specification section 4.7)
void wr_ctrl_cmd( void )
{
    uchar cmd_lo, cmd_hi ;
    cmd_hi = rd_1451_byte();          // read command low byte

    // check for NIOE deassertion, now or earlier this frame
    if ( aborted_1451_io )          // if global is true
        return;

    cmd_lo = rd_1451_byte();         // read command high byte
    if ( cmd_hi )
    {
        DEFAULT_1451DOT2_COMMAND    // commands > 255 not implemented at this time
    }
    else
    {
        switch ( cmd_lo )
        {
            case COMMAND_NOP:        // "no operation" command (value 0)
                break;

            case COMMAND_RESET:      // reset STIM command (value 1)
                RESET_1451DOT2_COMMAND // call standard_reset( );
                break;

            default:                  // else unimplmented command
                DEFAULT_1451DOT2_COMMAND // call post_inval_cmd( )
                break;
        }
    }
}

// Post an invalid command
void post_inval_cmd( void )
{
    global_status_lo |= STATUS_INVALID_COMMAND; // set STIM invalid command bit
    update_nint();
}

// Update NINT depending on status and auxiliary status registers
void update_nint( void )
{
    uchar ch, start, stop;
```



```

uchar tmp;

if ( chnl_addr )                // if channel 1-255
{
    start = chnl_addr-1;
    stop = chnl_addr;
}
else                            // else, global channel 0
{
    start = 0x00;
    stop = num_channels;        // maximum channels on STIM
}

// We must walk through each channel to update the status bit for that channel
#ifdef NO_AUX_STATUS_REGISTERS

// With no aux status registers, we must make sure this bit is clear
chan_status_lo[ ch ] &= ~STATUS_AUX_STATUS;
#else
/* Test if there are any auxiliary status bits set for a specific channel.
   If true then set the respective channel aux. status available bit. If
   false then clear the respective channel aux. status available bit. */
for ( ch=start; ch<stop; ch++ ) // loop on required number of channels
{
    if ( chan_aux_status_lo[ ch ] || chan_aux_status_hi[ ch ] ) // any bit set
    {
        chan_status_lo[ ch ] |= STATUS_AUX_STATUS; // set bit
    }
    else
    {
        chan_status_lo[ ch ] &= ~STATUS_AUX_STATUS; // clear bit
    }
}
#endif

// Update the channel service request bit. We must 'and' with the mask to see
// if this bit is enabled for interrupts (See specification section 4.9)
for ( ch=start; ch<stop; ch++ )
{
    if ( ( chan_status_lo[ ch ] & chan_int_mask_lo[ ch ] )
        | ( chan_status_hi[ ch ] & chan_int_mask_hi[ ch ] )
#ifdef NO_AUX_STATUS_REGISTERS
        | ( chan_aux_status_lo[ ch ] & chan_aux_int_mask_lo[ ch ] )
        | ( chan_aux_status_hi[ ch ] & chan_aux_int_mask_hi[ ch ] )
#endif
    )
    {
        chan_status_lo[ ch ] |= STATUS_SERVICE_REQUEST; // set bit
    }
    else
    {
        chan_status_lo[ ch ] &= ~STATUS_SERVICE_REQUEST; // clear bit
    }
}

// Update global status and auxiliary status registers by or'ing all the bits
// For now, we treat the global bit to be an 'or' of the channel bits for:
// auxiliary self-test, operational, reset, and trigger acknowledge.

// Care is taken to preserve the invalid command bit.
tmp = global_status_lo & STATUS_INVALID_COMMAND;
global_status_lo = 0x00;
global_status_hi = 0x00;
#ifdef NO_AUX_STATUS_REGISTERS
global_aux_status_lo = 0x00;
global_aux_status_hi = 0x00;

```

```
#endif

// Caution: Because we are doing an 'or', we MUST loop through each channel
for ( ch=0; ch<num_channels; ch++ )
{
    global_status_lo |= chan_status_lo[ ch ];
    global_status_hi |= chan_status_hi[ ch ];
#ifdef NO_AUX_STATUS_REGISTERS
    global_aux_status_lo |= chan_aux_status_lo[ ch ];
    global_aux_status_hi |= chan_aux_status_hi[ ch ];
#endif
}
// restore invalid command bit
global_status_lo |= tmp;

/* Combine the status bits with the interrupt masks and see if there are
valid matches. If true, set the global service request bit. If false,
clear the global service request bit. */
if ( ( global_status_lo & global_int_mask_lo )
    | ( global_status_hi & global_int_mask_hi )
#ifdef NO_AUX_STATUS_REGISTERS
    | ( global_aux_status_hi & global_aux_int_mask_hi )
    | ( global_aux_status_lo & global_aux_int_mask_lo )
#endif
)
{
    // set global service request bit
    global_status_lo |= STATUS_SERVICE_REQUEST;
}
else
{
    // clear global service request bit
    global_status_lo &= ~STATUS_SERVICE_REQUEST;
}

// Now see if we need to generate an interrupt. Or all the service request bits
tmp = global_status_lo & STATUS_SERVICE_REQUEST;

if ( !tmp )
{
    // Or in the individual channels only if needed. Stop on the first
    'true'
    for ( ch=0; ch<num_channels && !tmp; ch++ )
    {
        tmp |= chan_status_lo[ ch ] & STATUS_SERVICE_REQUEST;
    }
}

if ( tmp )
    // if there is a true compare state
{
    NINT_PIN = 0;
    // generate the interrupt
}
else
{
    NINT_PIN = 1;
    // negate the interrupt
}
}

// Perform the standard trigger acknowledgement
void standard_trigger( void )
{
    uchar ch, start, stop;
    // define auto type variables

    NACK_PIN = 0;
    // assert the acknowledge signal to NCAP
    // generate this edge *right after* sampling:

    // trigger ACK (NACK) is now asserted
    // let NACK assert until TRIG deasserts
}
```

```

// if NCAP asserts TRIG forever, we stick here

// should we wait here forever? (Suggestion to use timer0 for loop break out)

while( !NTRIG_PIN );           // wait until trigger is negated by NCAP
NACK_PIN = 1;                 // negate the acknowledge signal to NCAP

// Update the trigger acknowledge bit
// We do this AFTER the trigger has been acknowledged
if ( chnl_addr )              // if channel 1-255
{
    start = chnl_addr-1;
    stop = chnl_addr;
}
else                           // else, global channel 0
{
    start = 0x00;
    stop = num_channels;
}

for ( ch=start; ch<stop; ch++ )
{
    // Trigger acknowledge each channel
    chan_status_lo[ ch ] |= STATUS_TRIGGER_ACKNOWLEDGE ; // set trig. ack'd status bit
}

global_status_lo |= STATUS_TRIGGER_ACKNOWLEDGE ; // set trig. ack'd status bit

update_nint();                // on status write update NINT
}

// Perform the standard channel reset. Here we reset the status and
// auxiliary status to initial values. We return with the reset and
// operational bits set.
void standard_reset( void )
{
    uchar ch, start, stop;
    if ( chnl_addr )          // if channel 1-255
    {
        start = chnl_addr-1;
        stop = chnl_addr;
    }
    else                       // else, global channel 0
    {
        start = 0x00;
        stop = num_channels;
    }

    for ( ch=start; ch<stop; ch++ )
    {
        chan_status_lo[ ch ] = STATUS_RESET;           // reset bit
        chan_status_hi[ ch ] = STATUS_OPERATIONAL;    // leave operational
#ifdef NO_AUX_STATUS_REGISTERS
        chan_aux_status_hi[ ch ] = 0x00;              // all bits off
        chan_aux_status_lo[ ch ] = 0x00;              // all bits off
#endif
    }

    global_status_lo = STATUS_RESET;                  // reset bit
    global_status_hi = STATUS_OPERATIONAL;           // leave operational
#ifdef NO_AUX_STATUS_REGISTERS
    global_aux_status_hi = 0x00;
    global_aux_status_lo = 0x00;
#endif
}

```

AN214

```
// note: spec says.. A STIM or channel reset command shall not
// affect the value of the interrupt mask bits.
update_nint();
}
```

```

/*****
*
*   Filename:      stimdot2.h
*   Date:         06/27/2000
*   Revision:     1.4
*
*   Tools:        Hi-Tech PIC C Compiler V7.85
*                 MPLAB 5.00.00
*
*
*   Description:   Variable references and macros utilized for
*                 1451.2 communications and process support.
*
*****/

void standard_reset( void );

extern uchar frame_aborted(void);

extern struct events {
    unsigned int time_expire :1;
    unsigned int           :7;
} flag;

extern uchar aborted_1451_io;
extern uchar wrNackDone;      // Write NACK control
extern uchar chnl_addr;
extern uchar chan_status_hi[ MAX_NUM_CHANNELS ];
extern uchar chan_status_lo[ MAX_NUM_CHANNELS ];

extern uchar global_status_lo;
extern uchar global_status_hi;
extern uchar chan_aux_status_lo[ MAX_NUM_CHANNELS ];
extern uchar chan_aux_status_hi[ MAX_NUM_CHANNELS ];
extern uchar global_aux_status_lo;
extern uchar global_aux_status_hi;

extern uchar trig_chnl_addr;

extern uchar num_channels;
extern const uchar vsn_string[4 + 0x13 ];

extern uchar chan_int_mask_lo[ MAX_NUM_CHANNELS ];
extern uchar chan_int_mask_hi[ MAX_NUM_CHANNELS ];

extern uchar chan_aux_int_mask_lo[ MAX_NUM_CHANNELS ];
extern uchar chan_aux_int_mask_hi[ MAX_NUM_CHANNELS ];

extern uchar global_int_mask_lo;
extern uchar global_int_mask_hi;

extern uchar global_aux_int_mask_lo;
extern uchar global_aux_int_mask_hi;

/*****
// 1451.2 functional addresses
#define WRITE_TRANSDUCER_DATA      0

```

AN214

```
#define WRITE_CONTROL_CMD 1
#define WRITE_TRIGGERED_CHANNEL_ADDR 3
#define WRITE_INT_MASK 5
#define WRITE_AUX_INT_MASK 6
#define WRITE_CALIBRATION_TEDS 64
#define WRITE_CALIBRATION_ID_TEDS 65

#define READ_TRANSDUCER_DATA 128
#define READ_STATUS 130
#define READ_TRIGGERED_CHANNEL_ADDR 131
#define READ_AUX_STATUS 132
#define READ_INT_MASK 133
#define READ_AUX_INT_MASK 134
#define READ_FW_VERSION 135

#define READ_TEDS 160
#define READ_ID_TEDS 161
#define READ_CALIBRATION_TEDS 192
#define READ_CALIBRATION_ID_TEDS 193

#define WRITE_APP_SPECIFIC_TEDS 96
#define READ_APP_SPECIFIC_TEDS 224
#define WRITE_FULL_TEDS_EEPROM 32
#define READ_FULL_TEDS_EEPROM 240

/*****/
// 1451.2 status bits (a 16 bit quantity) is stored in two 8-bit bytes for efficiency

// Lo byte
#define STATUS_SERVICE_REQUEST 0x01
#define STATUS_TRIGGER_ACKNOWLEDGE 0x02
#define STATUS_RESET 0x04
#define STATUS_INVALID_COMMAND 0x08
#define STATUS_AUX_STATUS 0x10
#define STATUS_MISSED_DATA 0x20
#define STATUS_DATA_AVAILABLE 0x40
#define STATUS_HARDWARE_ERROR 0x80

// Hi byte
#define STATUS_OPERATIONAL 0x01

// 1451.2 interrupt bits, low byte
#define INT_MSK_SERVICE_REQUEST 0x01
#define INT_MSK_TRIGGER_ACKNOWLEDGE 0x02
#define INT_MSK_RESET 0x04
#define INT_MSK_INVALID_COMMAND 0x08
#define INT_MSK_AUX_STATUS 0x10
#define INT_MSK_MISSED_DATA 0x20
#define INT_MSK_DATA_AVAILABLE 0x40
#define INT_MSK_HARDWARE_ERROR 0x80

// 1451.2 interrupt bits, high byte
#define INT_MSK_OPERATIONAL 0x01

// 1451.2 commands
#define COMMAND_NOP 0x00
#define COMMAND_RESET 0x01
#define COMMAND_INITIATE_SELF_TEST 0x02
#define COMMAND_CALIBRATE_CHANNELS 0x03
#define COMMAND_ZERO_ALL_CHANNELS 0x04
#define COMMAND_ENABLE_EVENT_SEQUENCE 0x05
#define COMMAND_DISABLE_EVENT_SEQUENCE 0x06
#define COMMAND_CONFIG_EVENT_SEQUENCE 0x07
#define COMMAND_ENABLE_DATA_SEQUENCE 0x09
#define COMMAND_DISABLE_DATA_SEQUENCE 0x0a
```

```

/*****
*
*       The PICmicro as an IEEE 1451.2 Compatible Smart
*       Transducer Interface Module (STIM)
*
*****
*
*  Filename:      stimit.c
*  Date:         06/27/2000
*  Revision:     1.2
*
*
*  Contributor:  Richard L. Fischer
*  Company:     Microchip Technology Inc.
*
*  Contributor:  Jeff Burch
*  Company:     Agilent Technologies
*
*
*  Tools:       Hi-Tech PIC C Compiler V7.85
*              MPLAB 5.00.00
*
*****
*
*  Files required:
*
*              stimit.c
*
*              pic.h      (Hi-Tech file)
*              common.h
*              stimit.h
*
*****
*
*  Notes:
*
*  Description:  Common STIM functions to initialize the PICmicro
*
*  Port A:  A5  input  NIOE      (SS, active low)
*           A4  n/c
*           A3  n/c
*           A2  n/c
*           A1  n/c
*           A0  n/c
*
*  Port B:  B7  n/c
*           B6  n/c
*           B5  n/c
*           B4  output  EEPCS   initial value = 0
*           B3  input   EEPDOUT
*           B2  output  EEPDIN  initial value = 0
*           B1  output  EEPDCLK initial value = 0
*           B0  n/c
*
*  Port C:  C7  output  NACK    initial value = 1
*           C6  output  NINT    initial value = 1
*           C5  output  DOUT    initial value = 0
*           C4  input   DIN
*           C3  input   DCLK    (idle high)
*           C2  input   NTRIG   (active low)
*           C1  n/c
*           C0  n/c
*
*****/

#include <pic.h>                // processor if/def file

```

AN214

```
#include "common.h"
#include "stiminit.h"

////////////////////////////////////
//      PICmicro initialization
////////////////////////////////////

// Initialize the H/W SPI port
void init_spi( uchar await_nioe )
{
    SSPCON = 0b00010100;          // set: CKP & SPI slave w/nioe (*SS)
    SSPBUF = 0;                  // set SSPBUF to known state
    SSPIF = 0;                   // reset H/W event interrupt flag
    wrNackDone = 0;              // reset global

    if ( await_nioe )            // test if requiring to test pin
    {
        while ( !NIOE_PIN );     // wait while NIOE (*SS) pin is low/asserted
    }                             // this signal is negated by NCAP
    SSPCON = 0b00110100;         // set: same but SSPEN now added
}

// Initialize the PICmicro I/O Ports
void init_pic_ports( void )
{
    // To avoid any glitches, set port states before setting direction

    PORTA = INIT_A_VAL;          // Initialize PORTA data latch
    PORTB = INIT_B_VAL;          // Initialize PORTB data latch
    PORTC = INIT_C_VAL;          // Initialize PORTC data latch

    // next instruction required for analog type parts
    // ADCON1 = 0b00000111;       // Set PORTA for inputs
    TRISA = TRIS_A_VAL;          // Initialize PORTA direction latch
    TRISB = TRIS_B_VAL;          // Initialize PORTB direction latch
    TRISC = TRIS_C_VAL;          // Initialize PORTC direction latch

    PIE1 &= PIE1_MSK;           // squelch SPI based IRQ

    init_spi( 1 );               // 1 => await NIOE deasserting
}

```



```
/*
 *
 * Filename:      stiminit.h
 * Date:         06/27/2000
 * Revision:     1.4
 *
 * Tools:        Hi-Tech PIC C Compiler V7.85
 *               MPLAB 5.00.00
 *
 * Description:   PICmicro PORT and TRIS definitions
 *
 */
```

```
extern uchar wrNackDone;
```

```
#ifndef TRIS_A_VAL
#define TRIS_A_VAL    0b00111111
#endif

// Port A: all inputs
#ifndef INIT_A_VAL
#define INIT_A_VAL    0b00000000
#endif

#ifndef TRIS_B_VAL
#define TRIS_B_VAL    0b11101001
#endif

// Port B: all outputs low
#ifndef INIT_B_VAL
#define INIT_B_VAL    0b00000000
#endif

#ifndef TRIS_C_VAL
#define TRIS_C_VAL    0b00011111
#endif

// Port C: NINT and NACK high
#ifndef INIT_C_VAL
#define INIT_C_VAL    0b11000000
#endif

#define PIE1_MSK      0b11110111 /* squelches SPI IRQ e.g. */
```

AN214

```

/*****
*
*       The PICmicro as an IEEE 1451.2 Compatible Smart
*       Transducer Interface Module (STIM)
*
*****/
*
*  Filename:      stimteds.c
*  Date:         06/27/2000
*  Revision:     1.3
*
*  Contributor:  Richard L. Fischer
*  Company:      Microchip Technology Inc.
*
*  Contributor:  Jeff Burch
*  Company:      Agilent Technologies
*
*  Tools:        Hi-Tech PIC C Compiler V7.85
*                MPLAB 5.00.00
*
*****/
*
*  Files required:
*
*                stimteds.c
*
*                pic.h      (Hi-Tech file)
*                common.h
*                stimteds.h
*                delays.h   (Hi-Tech file)
*
*****/
*
*  Notes:
*
*  Description:   Common STIM functions for accessing TEDS
*
*****/

#include <pic.h>           // processor if/def file
#include "common.h"       // project commons, etc.
#include "stimteds.h"     //
#include "c:\ht-pic\samples\delay.h"

extern uchar  eeprom_data;           // data for read/write ops.
extern uchar  ee_rd_wr_bit_cntr;

// EEPROM related constants - opcodes, w/start_bit

#ifndef EEPROM_BYTES
#define EEPROM_BYTES 2048           // x8 bit organization
#endif

#define LEN_OF_GLOBAL_EE_OPCODE  5

// utility for clocking up to one byte out the DI line to the eeprom
void send_ee_bits( uchar databits, uchar bitcount )
{
    // clock out on DI the 'bitcount' lsb's of 'databits'

```

```

// note: 2MHz bit rate for Vdd >= 4.5Vdc

// if using shift_left, must get first output bit left-justified
if ( bitcount < 8 ) // careful: at least one caller uses > 8
    databits <<= ( 8 - bitcount ) ;

// loop dynamics based on 10MHz Fosc; if changed Nops may be required
while ( bitcount-- )
{
    EE_DI_PIN = 0;                // set data pin low

    databits <<= 1;                // shift left 1 bit position
    if ( CARRY )                  // test for carry
    {
        EE_DI_PIN = 1;            // set data pin high
    }

    EE_SK_PIN = 1;                // Tckh min = 300nS
    EE_SK_PIN = 0;                // Tckl min = 200nS
}

}

// these are a bit conservative w.r.t. setup/hold/speed ...
uchar ee_read( unsigned int addr )
{
    // eeprom_data carries back the 8-bit payload
    // procedure:
    // DI, SK are kept low between operations so they are low on entry here
    // assert CS
    // send start bit, 2 bits opcode
    // send 3 msb's of address (for 2048x8 organization)
    // send 8 lsb's of address
    // lower DI
    // discard leading 0 startbit
    // read 8 bits of data
    // deassert CS ; SK is lowered by final bit send, DI was lowered above

    EE_CS_PIN = 1;                // assert eeprom chip select

    // issue opcode
    send_ee_bits( EE_READ_OP, LEN_OF_BYTEWISE_EE_OPCODE ); // args: data,count

    // msb's of address -> 3 bits
    send_ee_bits( (uchar)(addr>>8), EE_ADDR_LEN-8 ); // args: data,count

    // lsb's of address -> 8 bits
    send_ee_bits( (uchar)addr, 8 );

    EE_DI_PIN = 0;                // set EE DI to logic 0
    // the discarding of a start bit is implicit; no extra SK edges
    // need be generated

    eeprom_data = 0x00;           // byte to be returned
    ee_rd_wr_bit_cntr = 8;        // init bit counter

    // procedure to read each data bit MSb to LSB:
    // raise SK
    // wait >= Tpd (400ns for Microchip's 93C86)
    // sample EE_DO pin, stuff/shift into appropriate capture bit
    // lower SK

    while ( ee_rd_wr_bit_cntr-- )
    {
        EE_SK_PIN = 1;            // set clock pin high
    }
}

```

AN214

```
    eeprom_data <<= 1;          // shift composed byte by 1

    // Tpd provided inherently by prior instructions
    if ( EE_DO_PIN )           // test EE data out pin is high
    {
        eeprom_data |= 1;      // EE_DO is logic 1 so set LSB
    }

    EE_SK_PIN = 0;             // set clock pin low
}

EE_CS_PIN = 0;                // negate eeprom chip select
return ( 0 );                //
}

uchar ee_write( unsigned int addr )
{
    // eeprom_data carries in the 8-bit payload

    // procedure:
    // DI, SK are kept low between operations so they are low on entry here
    // assert CS
    // send start bit, 2 bits opcode
    // send 3 msb's of address (for 2048x8 organization)
    // send 8 lsb's of address
    // send 8 bits of data
    // wait out "busy" phase of eeprom (on DO)
    // deassert CS & lower DI; SK is lowered by final bit send

    EE_CS_PIN = 1;            // assert eeprom chip select

    // issue opcode
    send_ee_bits( EE_WRITE_OP, LEN_OF_BYTEWISE_EE_OPCODE ); // args: data,count

    // msb's of address -> 3 bits
    send_ee_bits( (uchar)(addr>>8), EE_ADDR_LEN-8 ); // args: data,count

    // lsb's of address -> 8 bits
    send_ee_bits( (uchar)addr, 8 );

    // data bits
    send_ee_bits( eeprom_data, 8 );

    // wait out 'busy'; complete ; on NIOE up (NCAP timeout e.g.) abort
    // a Microchip 93C86 takes <= 10ms maximum, 4ms typical per word
    // Microchip self-timed programming cycle is initiated on rising edge of
    // SK as the last data bit (DO) is clocked out.

    // wait for EE done bit
    // RH 980803 - if frame is aborting, note it, but let EE finish,
    // allow ~30ms max or so here - 180us*166
    for ( ee_rd_wr_bit_cntr =166; ee_rd_wr_bit_cntr; ee_rd_wr_bit_cntr-- )
    {
        DelayUs( 180 );        // too much => EOF latency suffers on aborted frame
        if ( EE_DO_PIN )      // test if EE device ready
            break;           // byte completed

        // check for NIOE deassertion, now or earlier this frame:
        frame_aborted();      // sets aborted_1451_io if NIOE deasserts
    }

    // EE_DI = EE_CS = 0 ; // note: CS hold after final SK drop can even be 0

    EE_DI_PIN = 0;           // compile trouble above
    EE_CS_PIN = 0;           // deassert eeprom chip select
}
```

```

    return ( 0 );
}

uchar ee_wr_enable( uchar opcode )
{
    // ee_wr_enable arg1: EE_EWEN_OP or EE_EWDS_OP (enable or disable)
    // DI, SK are kept low between operations so they are low on entry here
    // first, assert CS, then
    // send: start bit, 2 bits opcode, 2 bits msb address, rest of dummy addr
    // finally, deassert CS & lower DI; SK is lowered by final bit send

    EE_CS_PIN = 1;                // assert eeprom chip select

    send_ee_bits( opcode, LEN_OF_GLOBAL_EE_OPCODE );
    send_ee_bits( 0, EE_ADDR_LEN-2 ); // these (~9) bits have don't care values;
                                     // therefore the 8 bit "limit" of
                                     // send_ee_bits() is ok

    // EE_DI = EE_CS = 0 ; // note: CS hold after final SK drop can even be 0
    EE_DI_PIN = 0;                // compile trouble above
    EE_CS_PIN = 0;

    return ( 0 );
}

// ?? Left off here

////////////////////////////////////////////////////////////////////
// TEDS Reading Support
////////////////////////////////////////////////////////////////////

// consult separate documentation regarding TEDS EEPROM layout
// to understand what follows

void rd_teds_block( uchar blocknum )
{
    // it's assumed that 65536 is max teds block size
    // teds address calculating could be shared better between rd/wr...
    // get addr of ptr to 0th block

    ee_read( 1 );                // eeprom_data := MSB
    teds_addr = eeprom_data;
    teds_addr <<= 8;

    ee_read( 0 );                // eeprom_data := LSB
    teds_addr += eeprom_data;
    // teds_addr has addr of ptr to 0th/1st teds block

    // below CCS went awry, so split expression
    teds_addr += blocknum;      // teds_addr := addr of ptr to desired blk
    teds_addr += blocknum;      // teds_addr := addr of ptr to desired blk

    ee_read( teds_addr+1 ); // MSB
    teds_addr2 = eeprom_data;
    teds_addr2 <<= 8;

    ee_read( teds_addr ); // LSB
    teds_addr2 += eeprom_data;

    // teds_addr2 is now addr of desired block

    // send the block of teds.

```

AN214

```
// serve bytes until NCAP quits.
// there are ~4 length bytes to start, and 2 checksum bytes at the end.
// the length bytes don't count themselves but do count the checksum bytes.
// the checksum accounts for the length bytes but not the cksum bytes.
// i.e. we send start byte, some length bytes, and then N additional bytes,
// where N is the value held in the length bytes

for( ; ; )
{
    ee_read( teds_addr2++ );
    // check for NIOE deassertion, now or earlier this frame
    if ( frame_aborted() )
        break;
    wr_1451_byte( eeprom_data );
}

////////////////////////////////////
// TEDS Reading functions (Global)
// limited to 65536 bytes
////////////////////////////////////

// read our prolog/catalog/directory at start of eeprom;
// init. teds_format_vsn, teds_blks_per_chnl, num_channels

void process_teds_prolog( void )
{
    // get supported chnl count from teds, to validate chnl_addr's later
    ee_read( 2 ); // fixed addr for chnl count
    num_channels = eeprom_data;
    if ( num_channels > MAX_NUM_CHANNELS || (!num_channels) )
        num_channels = MAX_NUM_CHANNELS; // sanity check in case e^2 absent e.g.

    // get other metadata from teds - image format version, etc.
    // note: if addr of ptr block > 4 ; this prolog includes a vsn_no.
    // (before 970425, the hpl prolog lacked this)
    ee_read( 0 ); // low byte of addr of ptr blk
    teds_format_vsn = 1; // 1 here denotes assumption that E^2 holds a vsn_no
    teds_blks_per_chnl = 3; // until 970425 -- chnl,chnl_id,cal
    if ( eeprom_data <= 4 )
    {
        ee_read( 1 ); // hi byte of addr of ptr blk
        if ( eeprom_data == 0 )
        {
            // old-ish teds image; has no vsn_no; call it 0
            teds_format_vsn = 0;
        }
    }
    if ( teds_format_vsn )
    {
        ee_read( 4 ); // fixed addr for image format version
        teds_format_vsn = eeprom_data; // needn't keep around probably
        ee_read( 6 ); // should base addr on teds_format_vsn
        teds_blks_per_chnl = eeprom_data;
    }

    AFTER_PROCESS_TEDS_PROLOG
}

// we're limited to 65KB TEDS below (EEPROMs for NSP3 are smaller)

void rd_meta_teds( void )
{
```

```
    rd_teds_block( 0 );
}

void rd_meta_id_teds( void )
{
    rd_teds_block( 1 );
}

void rd_full_teds_eeprom( void )
{
    // note: we cease reading bytes when EEPROM capacity exhausted
    teds_addr2 = 0;
    while ( teds_addr2 < EEPROM_BYTES )
    {
        ee_read( teds_addr2++ );
        // check for NIOE deassertion, now or earlier this frame
        if ( frame_aborted() )
            break;
        wr_1451_byte( eeprom_data );
    }
}

////////////////////////////////////
// TEDS Reading functions (channel-specific)
// limited to 65536 bytes
////////////////////////////////////

void rd_channel_teds( void )
{
    rd_teds_block( 2+ ( chnl_addr-1 ) * teds_blks_per_chnl );
}

void rd_channel_id_teds( void )
{
    rd_teds_block( 3+ ( chnl_addr-1 ) * teds_blks_per_chnl );
}

void rd_calibration_teds( void )
{
    rd_teds_block( 4 + ( chnl_addr-1 ) * teds_blks_per_chnl );
}

void rd_calibration_id_teds( void )
{
    if ( teds_blks_per_chnl >= 4 )
        rd_teds_block( 5 + ( chnl_addr-1 ) * teds_blks_per_chnl );
}

void wr_calibration_id_teds( void )
{
    // FIXME: not implemented at this time
    post_inval_cmd( );
}

////////////////////////////////////
// TEDS Writing functions (global)
////////////////////////////////////
```

AN214

```
void wr_full_teds_eeeprom( void )
{
    // we expect host to wait "Write Cal TEDS Time" between bytes
    // note: we cease reading and burning bytes when EEPROM capacity exhausted
    // it's assumed that 65536 is max teds block size

    // Check write_protect.
    // This macro should call post_inval_cmd( ) and return if the TEDS is
    // write protected
    CHECK_WRITE_PROTECT

    ee_wr_enable( EE_EWEN_OP );          // write-enable the eeeprom

    // accept and copy teds bytes to e^2
    // we maybe should confirm checksum and size - no need,
    // ncap will read back and check

    teds_addr2 = 0;
    while ( teds_addr2 < EEPROM_BYTES )
    {
        if ( frame_aborted() )
            break;
        eeeprom_data = rd_1451_byte(); // try to get next byte
        if ( aborted_1451_io )
            break ;                    // don't write if no byte given
        ee_write( teds_addr2++ );      // this can take a while, e.g. 10ms
    }

    ee_wr_enable( EE_EWDS_OP );          // write-disable the eeeprom

    // in case ted_format_vsn or num_channels etc. is affected
    process_teds_prolog(); // init e.g. teds_format_vsn, teds_blks_per_chnl
}

/////////////////////////////////////////////////////////////////
// TEDS Writing functions (channel-specific)
/////////////////////////////////////////////////////////////////

void wr_calibration_teds( void )
{
    // we expect host to wait "Write Cal TEDS Time" between bytes
    // note: we cease reading and burning bytes when EEPROM capacity exhausted
    // it's assumed that 65536 is max teds block size

    // write cal teds is not to be conditioned on jumper
    // // check write_protect jumper - if A4 is down, jumper is in, abort

    if ( !RA4 )
    {
        post_inval_cmd();
        return ;
    }

    // teds address calculating could be shared better between rd/wr...

    // get addr of ptr to 0th block
    ee_read( 1 ); // eeeprom_data := MSB
    teds_addr = eeeprom_data;
    teds_addr <<= 8;
    ee_read( 0 ); // eeeprom_data := LSB
    teds_addr += eeeprom_data;
    // teds_addr has addr of ptr to 0th/1st teds block

    // below CCS went awry, so split expr.
```



```
teds_addr += 4; // teds_addr := addr of ptr to desired blk
teds_addr += 4; // teds_addr := addr of ptr to desired blk

ee_read( teds_addr+1 ); // MSB
teds_addr2 = eeprom_data;
teds_addr2 <<= 8;

ee_read( teds_addr ); // LSB
teds_addr2 += eeprom_data;

// teds_addr2 is now addr of desired block

// proceed to accept and copy teds bytes to e^2
// there are ~4 length bytes to start, and 2 checksum bytes at the end.

ee_wr_enable( EE_EWEN_OP ); // write-enable the eeprom
while ( teds_addr2 < EEPROM_BYTES )
{
    if ( frame_aborted() )
        break ;
    eeprom_data = rd_1451_byte(); // try to get next byte
    if ( aborted_1451_io )
        break; // don't write if no byte sent
    ee_write( teds_addr2++ ); // this can take a while, e.g. 10ms
}
ee_wr_enable( EE_EWDS_OP ); // write-disable the eeprom
}
```

AN214

```

/*****
*
*   Filename:      stimteds.h
*   Date:         06/27/2000
*   Revision:     1.4
*
*   Tools:       Hi-Tech PIC C Compiler V7.85
*               MPLAB 5.00.00
*
*   Description:  Variable/Function references and PICmicro pin
*               definitions for communicating with TEDS.
*
*****/

extern uchar  frame_aborted( void );

extern unsigned int  teds_addr;
extern unsigned int  teds_addr2;

extern uchar  num_channels;

extern uchar  teds_format_vsn;
extern uchar  teds_blks_per_chnl;
extern uchar  chnl_addr;

extern uchar  wr_1451_byte( uchar abyte );
extern uchar  rd_1451_byte( void );

extern uchar  frame_aborted( void );
extern uchar  aborted_1451_io;
extern void  post_inval_cmd( void );

// EEPROM related constants - pins; size

#ifndef EE_CS_PIN
#define EE_CS_PIN  RB4      /* 93C86 pin 1 - chip select */
#endif

#ifndef EE_SK_PIN
#define EE_SK_PIN  RB1      /*      pin 2 - clock to eeprom */
#endif

#ifndef EE_DI_PIN
#define EE_DI_PIN  RB2      /*      pin 3 - data into eeprom */
#endif

#ifndef EE_DO_PIN
#define EE_DO_PIN  RB3      /*      pin 4 - data out of eeprom */
#endif

// Define this if the STIM has write-protection circuitry for the TEDS
#ifndef CHECK_WRITE_PROTECT
#define CHECK_WRITE_PROTECT
#endif

// Define this if you want to be called after the TEDS prolog is processed
#ifndef AFTER_PROCESS_TEDS_PROLOG
#define AFTER_PROCESS_TEDS_PROLOG

```

```
#endif
```

```
#define EE_READ_OP      0b110    /* start_bit included in each of these */  
#define EE_ERASE_OP    0b111  
#define EE_WRITE_OP    0b101    /* implicitly erases too */  
#define LEN_OF_BYTEWISE_EE_OPCODE 3  
#define EE_ADDR_LEN    11       /* ORG pin=0 i.e. "by 8" EEPROM orgnzn */
```

```
// next 4 distinguished by address's 2 msbits i.e. last 2 bits here  
#define EE_EWEN_OP     0b10011  /* start_bit included in each of these */  
#define EE_EWDS_OP     0b10000  
#define EE_ERAL_OP     0b10010  
#define EE_WRAL_OP     0b10001
```

```
/
```

AN214

```

/*****
*
*       The PICmicro as an IEEE 1451.2 Compatible Smart
*       Transducer Interface Module (STIM)
*
*****/
*
*  Filename:      stimtemp.c
*  Date:         06/27/2000
*  Revision:     1.8
*
*  Contributor:  Richard L. Fischer
*  Company:      Microchip Technology Inc.
*
*  Contributor:  Jeff Burch
*  Company:      Agilent Technologies
*
*
*  Tools:        Hi-Tech PIC C Compiler V7.85
*                MPLAB 5.00.00
*
*****/
*
*  Files required:
*
*                stimtemp.c
*
*                pic.h      (Hi-Tech file)
*                common.h
*                stimtemp.h
*
*****/
*
*  Notes:
*
*  Description:   Template for developing new STIM firmware
*
*****/

#include <pic.h>           // processor if/def file
#include "common.h"
#include "stimtemp.h"

// This template illustrates recommended STIM coding conventions. This code is
// fully runnable and implements a two channel loop-back STIM. Channel 1 is a
// 16 bit actuator. Channel 2 is a 16 bit sensor. When the device is triggered,
// the cached actuator value is copied to the sensor data buffer.

// === Step 1: Define how many channels are implemented on this STIM ===

// Note: this value is used to allocate memory for interrupt masks and status registers
// The STIM may have less channels than this as specified in the TEDS. See the
// global variable num_channels;
// #define MAX_NUM_CHANNELS 2; modify this define statement in the common.h file

// === Step 2: Generate the STIM Version string with the 'generateVersion' tool ===

// STIM Version string
// Generated by generateVersion STIM_Template_1.0
const uchar vsn_string[ 4 + 0x13 ] = {
    0x00, 0x00, 0x00, 0x13,

```

```

        'S', 'T', 'I', 'M', '_', 'T', 'e', 'm', 'p', 'l', 'a', 't', 'e', '_', 'l', '.', '0',
        0xfa, 0x26,
    };

// === Step 4: Define the direction and initial values for each PIC port ===

// Port A:  A5  inputNIOE
//           A4  n/c
//           A3  n/c
//           A2  n/c
//           A1  n/c
//           A0  n/c
#define TRIS_A_VAL    0b00111111
#define INIT_A_VAL    0b00000000

// Port B:  B7  n/c
//           B6  n/c
//           B5  n/c
//           B4  outputEEPSCinitial value = 0
//           B3  inputEEPDOU
//           B2  outputEEPDIinitial value = 0
//           B1  outputEEPCLKinitial value = 0
//           B0  n/c
#define TRIS_B_VAL    0b11101001
#define INIT_B_VAL    0b00000000

// Port C:  C7  outputNACKinitial value = 1
//           C6  outputNINTinitial value = 1
//           C5  outputDOUinitial value = 0
//           C4  inputDIN
//           C3  inputDCLK
//           C2  inputNTRIG
//           C1  n/c
//           C0  n/c
#define TRIS_C_VAL    0b00011111
#define INIT_C_VAL    0b11000000

// === Step 5: Define any macros to override default behaviors ===

// None in this case...
// #define NO_AUX_STATUS_REGISTERS; modify this define statement in the common.h file

// === Step 6: Declare these required functions ===

void transducer_initialize(void);
void transducer_trigger(void);
void transducer_read(void);
void transducer_write(void);

// === Step 7: Implement the required functions ===

// This example supports a two channel STIM. Channel 1 is an actuator.
// Its value is 'looped back' to the Channel 2 sensor
unsigned int channel1Val;    // uint 16 data model
unsigned int channel2Val;    // uint 16 data model

// --- Initialize the transducer ---
void transducer_initialize(void)
{
    // This is called after the tri-state registers have been configured.
    // Nothing to do in this example
}

```

AN214

```
}

// ----- Perform the trigger and ack operation -----
void transducer_trigger( void )
{
// here is where we need to act on some transducer, whether it be an ADC or something else

// Perform trigger operation. In this example,
// we loop back the actuator to the sensor
channel2Val = channel1Val;

standard_trigger( ); // Call the generic trigger processing function
}

// ----- Read the transducer -----
void transducer_read( void )
{
// The NCAP is reading data from the STIM. Use the wr_1451_byte( )
// function to send data out the 1451.2 interface
switch ( chnl_addr )
{
case 0: // Channel 0 - Read global transducer data
wr_1451_byte(( uchar )( channel1Val>>8 ));// high byte
wr_1451_byte(( uchar )( channel1Val ));// low byte
wr_1451_byte(( uchar )( channel2Val>>8 ));// high byte
wr_1451_byte(( uchar )( channel2Val ));// low byte
break;

case 1: // Read channel 1 transducer data
wr_1451_byte(( uchar )( channel1Val>>8 ));// high byte
wr_1451_byte(( uchar )( channel1Val )); // low byte
break;

case 2: // Read channel 2 transducer data
wr_1451_byte(( uchar )( channel2Val>>8 )); // high byte
wr_1451_byte(( uchar )( channel2Val )); // low byte
break;

default: // Illegal command
post_inval_cmd(); // function in stimdot2.c file
break; // purpose: set STIM invalid command bit
}
}

// ----- Write the transducer -----
void transducer_write( void )
{
unsigned int dummy;

// The NCAP is writing data to the STIM. Use the rd_1451_byte( )
// function to read data from the 1451.2 interface
switch ( chnl_addr )
{
case 0: // Channel 0 - Write global transducer data
channel1Val = rd_1451_byte() << 8;// high byte, actuator write
channel1Val |= rd_1451_byte(); // low byte
dummy = rd_1451_byte() << 8; // high byte, discard the sensor write
dummy |= rd_1451_byte(); // low byte
break;

case 1: // Channel 1 write (actuator)
channel1Val = rd_1451_byte() << 8; // high byte
channel1Val |= rd_1451_byte(); // low byte
break;
}
```

```
default:                // Illegal command
    post_inval_cmd();   // function in stimdot2.c file
    break;              // purpose: set STIM invalid command bit
}

// Note: we cache the value but don't transfer it to the loop back
// sensor until we get the trigger.
}
```

AN214

```
/******  
*  
*   Filename:      stimtemp.h  
*   Date:         06/27/2000  
*   Revision:     1.4  
*  
*   Tools:        Hi-Tech PIC C Compiler V7.85  
*                 MPLAB 5.00.00  
*  
*   Notes:  
*  
*   Description:  Variable and function references for the  
*                 template.c file  
*  
******/
```

```
/* Reference Linkage */
```

```
extern void  standard_trigger( void );  
extern void  post_inval_cmd( void );  
extern uchar wr_1451_byte( uchar abyte );  
extern uchar rd_1451_byte( void );
```

```
extern uchar chnl_addr;
```



```

/*****
*
*       The PICmicro as an IEEE 1451.2 Compatible Smart
*       Transducer Interface Module (STIM)
*
*****
*
*  Filename:      stimcmd.c
*  Date:         06/27/2000
*  Revision:     1.2
*
*  Contributor:  Richard L. Fischer
*  Company:     Microchip Technology Inc.
*
*  Contributor:  Jeff Burch
*  Company:     Agilent Technologies
*
*  Tools:       Hi-Tech PIC C Compiler V7.85
*              MPLAB 5.00.00
*****
*
*  Files required:
*
*              stimcmd.c
*
*              common.h
*              stimdot2.h
*              stimcmd.h
*****
*
*  Notes:
*
*  Description:  This file is used to process the functional
*               and channel address commands issued by the NCAP
*               over the 1451.2 interface. The functions
*               called are located in the stimtemp.c,
*               stimateds.c and stimdot2.c files.
*****/

#include "common.h"
#include "stimdot2.h"    //
#include "stimcmd.h"    //

// Process the command

void process_valid_cmd( void )
{
    switch ( func_addr )           // evaluate functional address
    {
        // This group of function codes are valid for both channel 0 and real channels

        case READ_TRANSDUCER_DATA: // Read address 128
            transducer_read( );    // function in stimtemp.c
            break;

        case WRITE_TRANSDUCER_DATA: // Write address 0
            transducer_write( );   // function in stimtemp.c
            break;

        // ->
        case WRITE_CONTROL_CMD:    // Write address 1
            wr_ctrl_cmd();         // function in stimdot2.c
    }
}

```

```
        break;

case READ_STATUS:                // Read address 130
    rd_status();                 // function in stimdot2.c
    break;

case READ_AUX_STATUS:           // Read address 132
    rd_aux_status();            // function in stimdot2.c
    break;

case READ_INT_MASK:             // Read address 133
    rd_int_mask();              // function in stimdot2.c
    break;

case WRITE_INT_MASK:            // Write address 5
    wr_int_mask();              // function in stimdot2.c
    break;

case READ_AUX_INT_MASK:         // Read address 134
    rd_aux_int_mask();          // function in stimdot2.c
    break;

case WRITE_AUX_INT_MASK:        // Write address 6
    wr_aux_int_mask();          // function in stimdot2.c
    break;

default:

if ( chnl_addr )                // Channel 1-255 Function
{
    // The following group of function codes are for real channels only
    switch ( func_addr )
    {
        case READ_TEDS:          // Read address 160
            rd_channel_teds( );  // function in stimateds.c
            break;

        case READ_ID_TEDS:       // Read address 161
            rd_channel_id_teds( ); // function in stimateds.c
            break;

        case WRITE_CALIBRATION_TEDS: // Write address 64
            wr_calibration_teds( ); // function in stimateds.c
            break;

        case READ_CALIBRATION_TEDS: // Read address 192
            rd_calibration_teds( ); // function in stimateds.c
            break;

        case READ_CALIBRATION_ID_TEDS: // Read address 193
            rd_calibration_id_teds( ); // function in stimateds.c
            break;

        case WRITE_CALIBRATION_ID_TEDS: // Write address 65
            wr_calibration_id_teds( ); // function in stimateds.c
            break;

        default:
            // Allow user to provide additional functions
            DEFAULT_1451DOT2_FUNCTION
            break;
    }
}

else                             // else Global Channel 0
{
```

```

// The following group of function codes are for channel 0 only
switch ( func_addr )
{
  case READ_TRIGGERED_CHANNEL_ADDR:// Read address 131
    rd_trig_chnl_addr();      // function in stimdot2.c
    break;

  case WRITE_TRIGGERED_CHANNEL_ADDR:// Write address 3
    wr_trig_chnl_addr();      // function in stimdot2.c
    break;

  case READ_FW_VERSION:        // Read address 135
    rd_fw_version();          // function in stimdot2.c
    break;

  case READ_TEDS:              // Read address 160
    rd_meta_teds();           // function in stimateds.c
    break;

  case READ_ID_TEDS:          // Read address 161
    rd_meta_id_teds();        // function in stimateds.c
    break;

  case READ_FULL_TEDS_EEPROM: // Read address 240
    rd_full_teds_eeprom();    // function in stimateds.c
    break;

  case WRITE_FULL_TEDS_EEPROM: // Read address 32
    wr_full_teds_eeprom();    // function in stimateds.c
    break;

  default:
    // Allow user to provide additional functions
    DEFAULT_1451DOT2_FUNCTION //
    break;
}
}
}

AFTER_1451DOT2_FRAME

while ( !frame_aborted() ) // Wait until the NCAP raises NIOE
{
  // If the NCAP is still trying to read data, just clock out 0.
  // We stay here until the NCAP is finished and raises NIOE

  wr_1451_byte(0); // provides 'done' handshake
}
}

```

AN214

```

/*****
*
*   Filename:      stimcmd.h
*   Date:         06/27/2000
*
*   Tools:       Hi-Tech PIC C Compiler V7.85
*               MPLAB 5.00.00
*
*   Notes:
*
*   Description:  Reference linkage for variables and functions.
*
*****/

/* The following declarations are reference linkage type */

extern uchar  func_addr;           // reference linkage
extern uchar  chnl_addr;          // reference linkage

/* Reference linkage to stimedts.c file */
//extern void  process_teds_prolog(); // init e.g. teds_format_vsn, teds_blks_per_chnl
extern void  rd_meta_teds( void );
extern void  rd_meta_id_teds( void );
extern void  rd_channel_teds( void );
extern void  rd_channel_id_teds( void );
extern void  rd_calibration_teds( void );
extern void  rd_calibration_id_teds( void );

// Extension Read(s)
extern void  rd_fw_version( void );
extern void  rd_full_teds_eeprom( void );

// TEDS Write function(s)
extern void  wr_calibration_teds( void );
extern void  wr_calibration_id_teds( void );
extern void  wr_full_teds_eeprom( void );

//extern void  transducer_initialize( void );
//extern void  transducer_trigger( void );
extern void  transducer_read( void );
extern void  transducer_write( void );

/* 1451 Byte I/O Functions */
extern uchar  wr_1451_byte( uchar abyte );
//extern uchar  rd_1451_byte( void );
//extern void  frame_complete( void );
//extern uchar  frame_aborted( void ); // tests NIOE and aborted_1451_io; sets latter

// 1451 Transducer, Global Functions
extern void  rd_status( void );
extern void  rd_aux_status( void );
extern void  rd_trig_chnl_addr( void );
extern void  wr_trig_chnl_addr( void );
extern void  rd_int_mask( void );
extern void  wr_int_mask( void );
extern void  rd_aux_int_mask( void );
extern void  wr_aux_int_mask( void );
extern void  wr_ctrl_cmd( void );
extern void  post_inval_cmd( void );
```

```
//extern void  update_nint( void );  
//extern void  standard_trigger( void );  
//extern void  standard_reset( void );  
//extern void  init_mask_registers( void );  
//extern void  init_int_registers( void );
```

```
#ifndef AFTER_1451DOT2_FRAME  
#define AFTER_1451DOT2_FRAME  
#endif
```

Note the following details of the code protection feature on PICmicro[®] MCUs.

- The PICmicro family meets the specifications contained in the Microchip Data Sheet.
- Microchip believes that its family of PICmicro microcontrollers is one of the most secure products of its kind on the market today, when used in the intended manner and under normal conditions.
- There are dishonest and possibly illegal methods used to breach the code protection feature. All of these methods, to our knowledge, require using the PICmicro microcontroller in a manner outside the operating specifications contained in the data sheet. The person doing so may be engaged in theft of intellectual property.
- Microchip is willing to work with the customer who is concerned about the integrity of their code.
- Neither Microchip nor any other semiconductor manufacturer can guarantee the security of their code. Code protection does not mean that we are guaranteeing the product as “unbreakable”.
- Code protection is constantly evolving. We at Microchip are committed to continuously improving the code protection features of our product.

If you have any further questions about this matter, please contact the local sales office nearest to you.

Information contained in this publication regarding device applications and the like is intended through suggestion only and may be superseded by updates. It is your responsibility to ensure that your application meets with your specifications. No representation or warranty is given and no liability is assumed by Microchip Technology Incorporated with respect to the accuracy or use of such information, or infringement of patents or other intellectual property rights arising from such use or otherwise. Use of Microchip's products as critical components in life support systems is not authorized except with express written approval by Microchip. No licenses are conveyed, implicitly or otherwise, under any intellectual property rights.

Trademarks


The Microchip name and logo, the Microchip logo, FilterLab, KEELOQ, microID, MPLAB, PIC, PICmicro, PICMASTER, PICSTART, PRO MATE, SEEVAL and The Embedded Control Solutions Company are registered trademarks of Microchip Technology Incorporated in the U.S.A. and other countries.

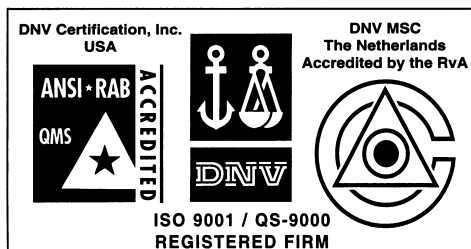
dsPIC, ECONOMONITOR, FanSense, FlexROM, fuzzyLAB, In-Circuit Serial Programming, ICSP, ICEPIC, microPort, Migratable Memory, MPASM, MPLIB, MPLINK, MPSIM, MXDEV, PICC, PICDEM, PICDEM.net, rPIC, Select Mode and Total Endurance are trademarks of Microchip Technology Incorporated in the U.S.A.

Serialized Quick Turn Programming (SQTP) is a service mark of Microchip Technology Incorporated in the U.S.A.

All other trademarks mentioned herein are property of their respective companies.

© 2002, Microchip Technology Incorporated, Printed in the U.S.A., All Rights Reserved.

 Printed on recycled paper.



Microchip received QS-9000 quality system certification for its worldwide headquarters, design and wafer fabrication facilities in Chandler and Tempe, Arizona in July 1999. The Company's quality system processes and procedures are QS-9000 compliant for its PICmicro[®] 8-bit MCUs, KEELOQ[®] code hopping devices, Serial EEPROMs and microperipheral products. In addition, Microchip's quality system for the design and manufacture of development systems is ISO 9001 certified.



MICROCHIP

WORLDWIDE SALES AND SERVICE

AMERICAS

Corporate Office

2355 West Chandler Blvd.
Chandler, AZ 85224-6199
Tel: 480-792-7200 Fax: 480-792-7277
Technical Support: 480-792-7627
Web Address: <http://www.microchip.com>

Rocky Mountain

2355 West Chandler Blvd.
Chandler, AZ 85224-6199
Tel: 480-792-7966 Fax: 480-792-7456

Atlanta

500 Sugar Mill Road, Suite 200B
Atlanta, GA 30350
Tel: 770-640-0034 Fax: 770-640-0307

Boston

2 Lan Drive, Suite 120
Westford, MA 01886
Tel: 978-692-3848 Fax: 978-692-3821

Chicago

333 Pierce Road, Suite 180
Itasca, IL 60143
Tel: 630-285-0071 Fax: 630-285-0075

Dallas

4570 Westgrove Drive, Suite 160
Addison, TX 75001
Tel: 972-818-7423 Fax: 972-818-2924

Detroit

Tri-Atria Office Building
32255 Northwestern Highway, Suite 190
Farmington Hills, MI 48334
Tel: 248-538-2250 Fax: 248-538-2260

Kokomo

2767 S. Albright Road
Kokomo, Indiana 46902
Tel: 765-864-8360 Fax: 765-864-8387

Los Angeles

18201 Von Karman, Suite 1090
Irvine, CA 92612
Tel: 949-263-1888 Fax: 949-263-1338

New York

150 Motor Parkway, Suite 202
Hauppauge, NY 11788
Tel: 631-273-5305 Fax: 631-273-5335

San Jose

Microchip Technology Inc.
2107 North First Street, Suite 590
San Jose, CA 95131
Tel: 408-436-7950 Fax: 408-436-7955

Toronto

6285 Northam Drive, Suite 108
Mississauga, Ontario L4V 1X5, Canada
Tel: 905-673-0699 Fax: 905-673-6509

ASIA/PACIFIC

Australia

Microchip Technology Australia Pty Ltd
Suite 22, 41 Rawson Street
Epping 2121, NSW
Australia
Tel: 61-2-9868-6733 Fax: 61-2-9868-6755

China - Beijing

Microchip Technology Consulting (Shanghai)
Co., Ltd., Beijing Liaison Office
Unit 915
Bei Hai Wan Tai Bldg.
No. 6 Chaoyangmen Beidajie
Beijing, 100027, No. China
Tel: 86-10-85282100 Fax: 86-10-85282104

China - Chengdu

Microchip Technology Consulting (Shanghai)
Co., Ltd., Chengdu Liaison Office
Rm. 2401, 24th Floor,
Ming Xing Financial Tower
No. 88 TIDU Street
Chengdu 610016, China
Tel: 86-28-6766200 Fax: 86-28-6766599

China - Fuzhou

Microchip Technology Consulting (Shanghai)
Co., Ltd., Fuzhou Liaison Office
Unit 28F, World Trade Plaza
No. 71 Wusi Road
Fuzhou 350001, China
Tel: 86-591-7503506 Fax: 86-591-7503521

China - Shanghai

Microchip Technology Consulting (Shanghai)
Co., Ltd.
Room 701, Bldg. B
Far East International Plaza
No. 317 Xian Xia Road
Shanghai, 200051
Tel: 86-21-6275-5700 Fax: 86-21-6275-5060

China - Shenzhen

Microchip Technology Consulting (Shanghai)
Co., Ltd., Shenzhen Liaison Office
Rm. 1315, 13/F, Shenzhen Kerry Centre,
Renminnan Lu
Shenzhen 518001, China
Tel: 86-755-2350361 Fax: 86-755-2366086

Hong Kong

Microchip Technology Hongkong Ltd.
Unit 901-6, Tower 2, Metroplaza
223 Hing Fong Road
Kwai Fong, N.T., Hong Kong
Tel: 852-2401-1200 Fax: 852-2401-3431

India

Microchip Technology Inc.
India Liaison Office
Divyasree Chambers
1 Floor, Wing A (A3/A4)
No. 11, O'Shaugnessey Road
Bangalore, 560 025, India
Tel: 91-80-2290061 Fax: 91-80-2290062

Japan

Microchip Technology Japan K.K.
Benex S-1 6F
3-18-20, Shinyokohama
Kohoku-Ku, Yokohama-shi
Kanagawa, 222-0033, Japan
Tel: 81-45-471-6166 Fax: 81-45-471-6122

Korea

Microchip Technology Korea
168-1, Youngbo Bldg. 3 Floor
Samsung-Dong, Kangnam-Ku
Seoul, Korea 135-882
Tel: 82-2-554-7200 Fax: 82-2-558-5934

Singapore

Microchip Technology Singapore Pte Ltd.
200 Middle Road
#07-02 Prime Centre
Singapore, 188980
Tel: 65-6334-8870 Fax: 65-6334-8850

Taiwan

Microchip Technology Taiwan
11F-3, No. 207
Tung Hua North Road
Taipei, 105, Taiwan
Tel: 886-2-2717-7175 Fax: 886-2-2545-0139

EUROPE

Denmark

Microchip Technology Nordic ApS
Regus Business Centre
Lautrup høj 1-3
Ballerup DK-2750 Denmark
Tel: 45 4420 9895 Fax: 45 4420 9910

France

Microchip Technology SARL
Parc d'Activite du Moulin de Massy
43 Rue du Saule Trapu
Batiment A - 1er Etage
91300 Massy, France
Tel: 33-1-69-53-63-20 Fax: 33-1-69-30-90-79

Germany

Microchip Technology GmbH
Gustav-Heinemann Ring 125
D-81739 Munich, Germany
Tel: 49-89-627-144 0 Fax: 49-89-627-144-44

Italy

Microchip Technology SRL
Centro Direzionale Colleoni
Palazzo Taurus 1 V. Le Colleoni 1
20041 Agrate Brianza
Milan, Italy
Tel: 39-039-65791-1 Fax: 39-039-6899883

United Kingdom

Arizona Microchip Technology Ltd.
505 Eskdale Road
Winnersh Triangle
Wokingham
Berkshire, England RG41 5TU
Tel: 44 118 921 5869 Fax: 44-118 921-5820

03/01/02