

Air-Controlled Fan Drives for Light, Medium
and Heavy-Duty Truck & Off-Highway Applications

Product Sheet

Viscous Fan Drives



bwthermal.com



For Additional BorgWarner
Thermal Systems Information:

800-927-7811 USA
49-7544-969-207 Germany
88-574-820-9696 China

info@bwthermal.com

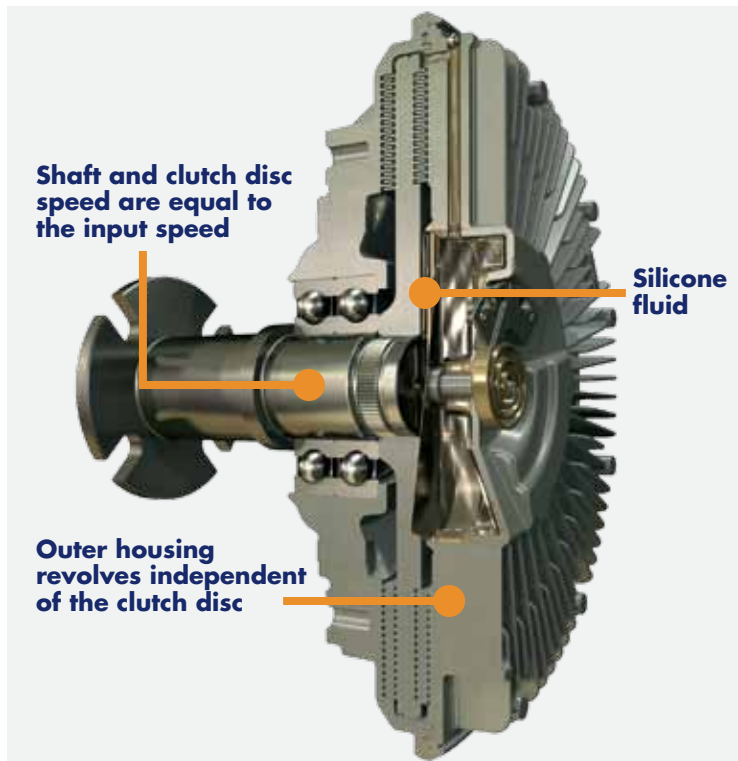
 **BorgWarner**

Viscous Fan Drives

Features & Advantages

Viscous Fan Drives are the economical choice for efficiency, performance and quiet operation.

BorgWarner Viscous Fan Drives offer the latest in engineering innovations, including fully modulating, cost-effective fan drives that control fan speed in direct proportion to engine cooling needs.



Technical Features and Advantages

- Improved efficiency—fan operates only when required and at appropriate speed for possible fuel and horsepower savings of up to 6-10%
- Reduced fan noise
- No maintenance—self-contained unit, nothing to service or maintain
- Improved temperature control—for extended engine life
- Bimetallic sensor—senses heat exchanger air temperature for accurate fan engagement
- Smooth, soft engagement—for extended belt and accessory life
- No external controls required—simplicity of design for improved reliability
- Cost-effective—can be used with polymer or metal fan blades to fit a wide range of applications

