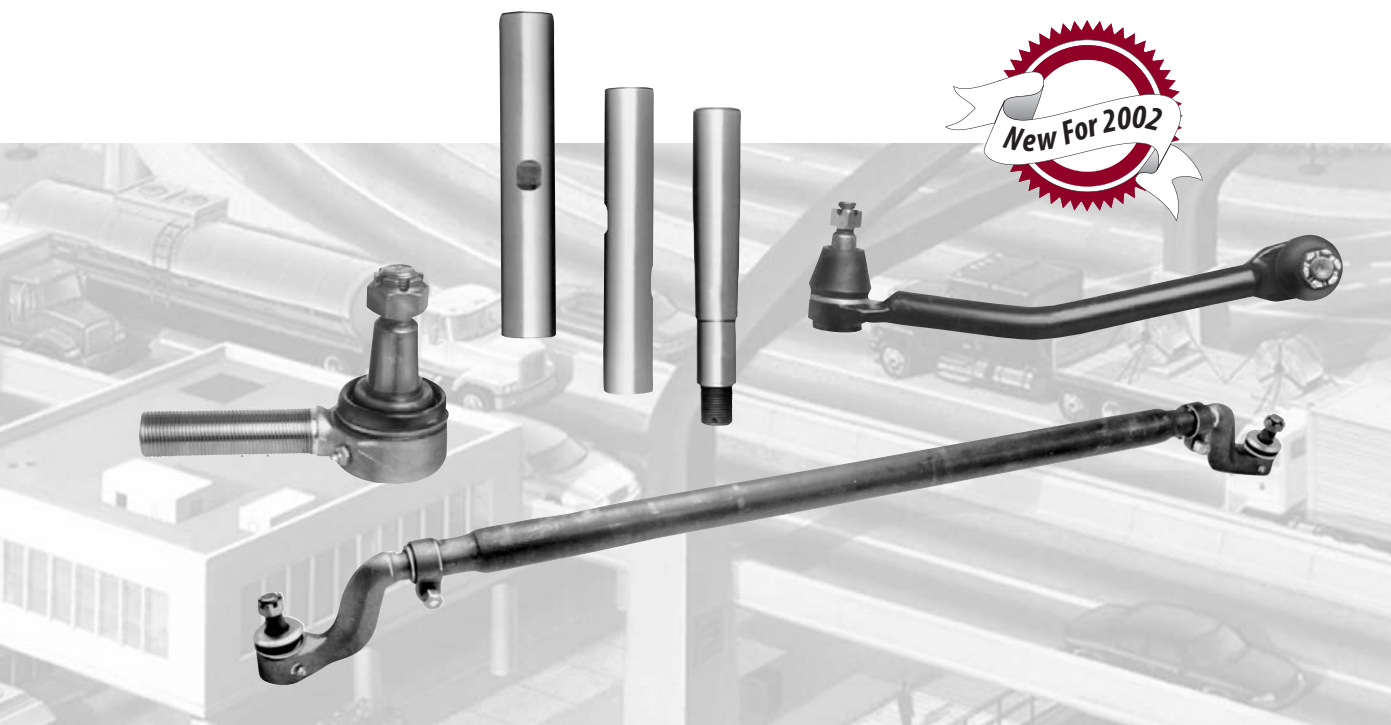


Front Axle

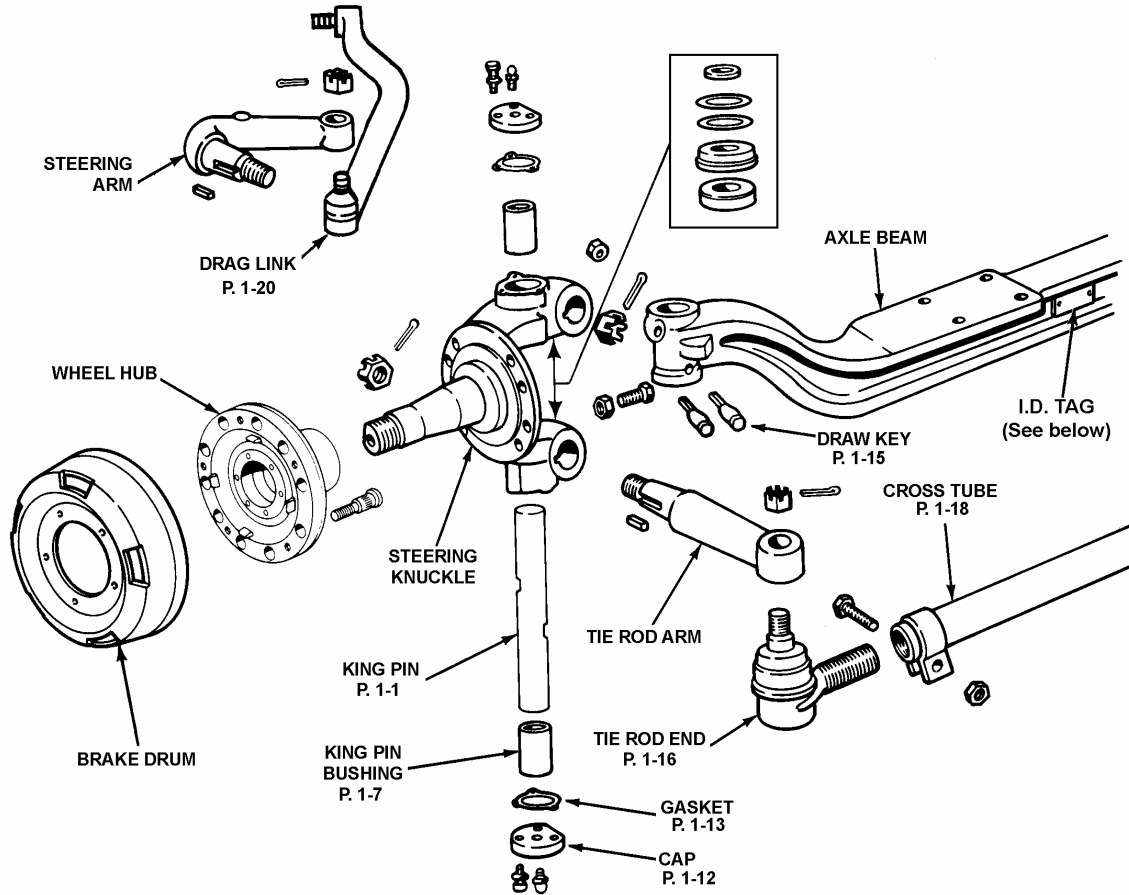
Catalog PB-8951



Strength • Power • Speed • Agility

TYPICAL FRONT AXLE COMPONENTS

This exploded view represents a typical front axle assembly. The page numbers listed by the labels indicate the page where the listings begin.



Location and Identification of Meritor Axle Specifications

To correctly identify your specific axle model, there is an I.D. tag riveted on the front of the axle beam. The information on this tag will be useful in tracking down hard to find parts. This information should also be available when calling Meritor for assistance. Contact the Meritor Information Services Department in Florence, KY at 888-725-9355.

Specify this information →

Model No.
Customer No.
Serial No.	Plant
Ratio	Date

Example of the I.D. Tag

TABLE OF CONTENTS

SEE FOLLOWING PAGES FOR DETAILS

Front Axle Components Specifications	1
Application Section	2
Cross Reference	3
Supercession List	4
Numerical Parts Listing	5

For additional parts and information, visit our online catalog at:
www.XpresswayPlus.com

If you have any comments, suggestions or catalog corrections, please e-mail us at:
catalogfeedback@arvinmeritor.com

HOW TO USE THIS CATALOG

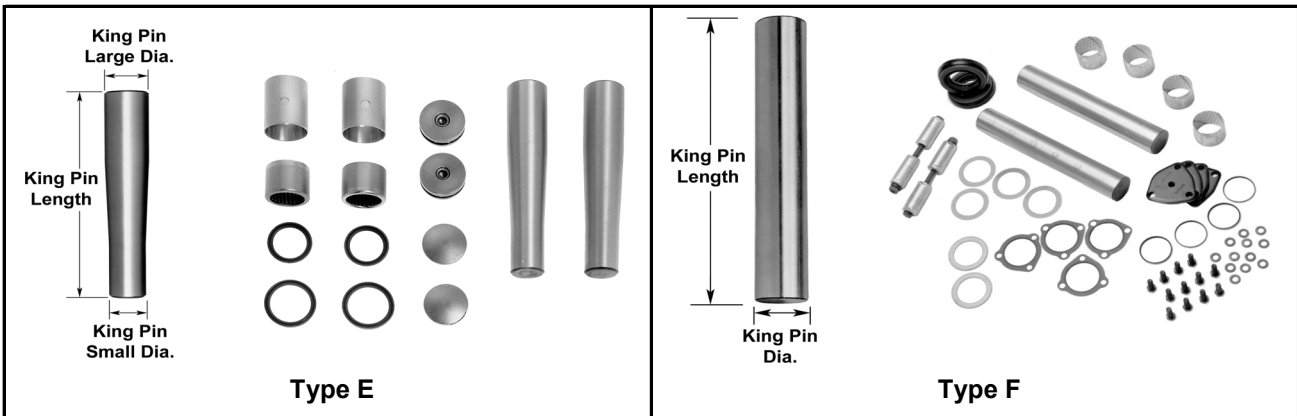
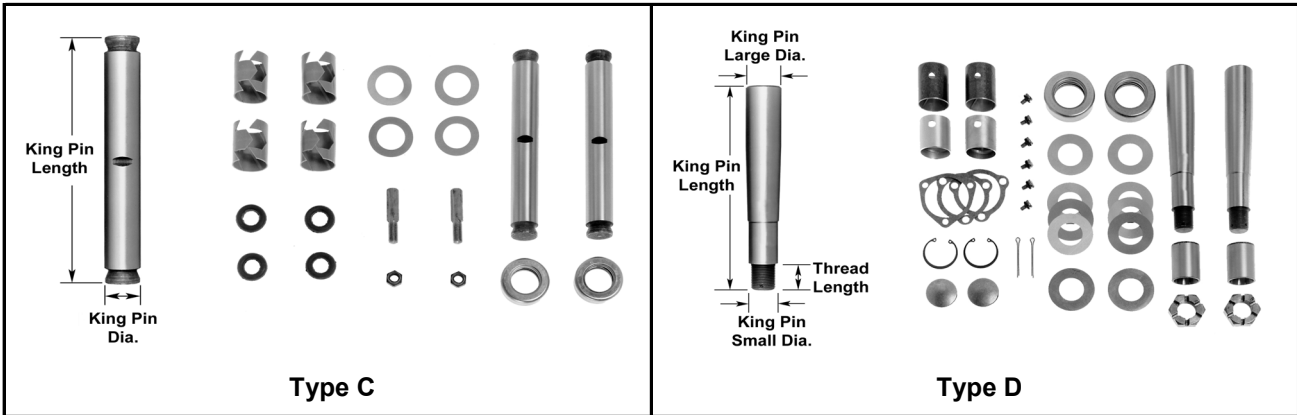
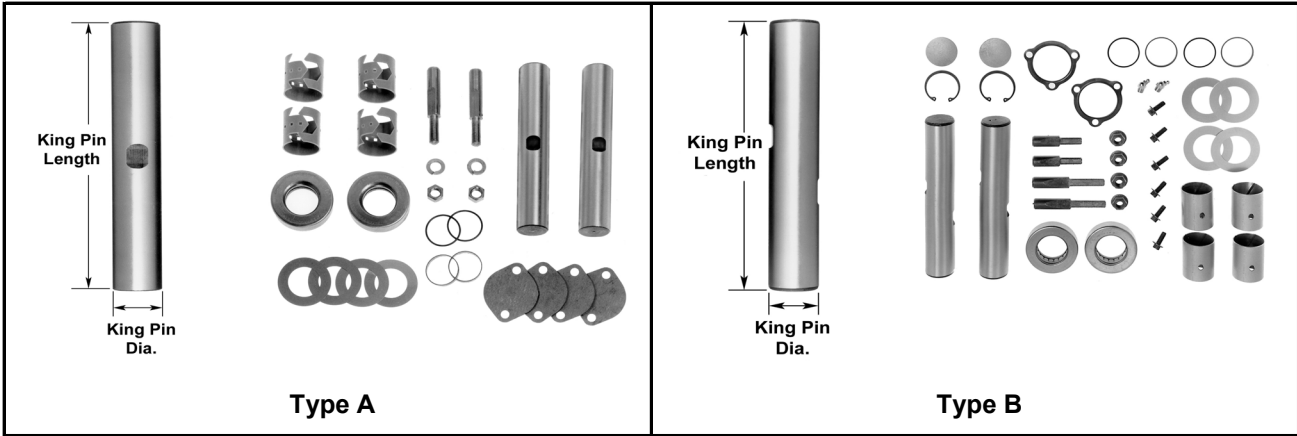
- To identify an axle part, refer to the axle assembly drawings inside the front cover. They identify the parts and tell you the page number where the listings for each type of part begin.
- If you already know the type of part, see the Section 1 Index to find the page where the listings for that type of part begin.
- As you look through a chart to find a specific part in Section 1, remember that the parts are listed by dimensions, from smallest to largest. Read the charts from left to right and from top to bottom. The left most dimension column lists the most critical dimension. If several parts have the same dimension, move to the other columns until you find the dimension that tells the difference between the parts.
- If you know the vehicle model, but do not know the part number, use Section 2. This section lists the most common vehicles, grouped by manufacturer (in alphabetical order), and lists the king pins, tie rod ends and drag links for each model. Additional information is available in the form of size, OEM number and notes.
- If you know the competitive number you want to replace with a Meritor part, look in the Cross Reference in Section 3. It lists the competitive part numbers and the Meritor part numbers that replace them.
- If you have an old Meritor number and need to update it to the current number, look in the Supercession Listing in Section 4. This lists the old number with the corresponding replacement number.
- If you already know the Meritor part number, look in the Numerical Parts Listing in Section 5. The index will tell you the pages where the part is listed.

SECTION 1

INDEX

Front Axle Components Specifications	Page
Beam Hanger Brackets	1-25
Capscrews	1-26
Cotter Pins	1-25
Crosstubes and End Assemblies	1-18
Drag Links Listed by Length	1-20
Drag Links Listed by Part Number	1-24
Draw Key Nut	1-15
Draw Keys	1-15
Draw Keys - Threaded	1-15
King Pin Bushings:	
Bushings to Kits	1-7
Kits to Bushings	1-9
King Pin Cap Gaskets	1-13
King Pin Caps	1-12
King Pin Caps - Threaded	1-13
King Pin Capscrews	1-14
King Pin Kit Identification - Straight Type	1-1
King Pin Kit Identification - Tapered Type	1-6
King Pin Nuts	1-14
Lockwasher	1-26
Miscellaneous Screws	1-26
Nuts	1-26
Retaining Rings	1-14
Shims by I.D.	1-11
Tie Rod and Drag Link Ends	1-16
Washers	1-14

King Pin Kit Identification



Pictures represent typical king pin kit contents. Parts may vary by application.

King Pin Kit Identification - Straight Type

King Pin Kit Part No.	King Pin Dia.	King Pin Length	King Pin Type	Bushing Type	Bushing	Shim	King Pin	Additional Contents / Notes
R200020	0.741"	4.910"	A	Bronze	(4) R210022	(4) R210252		(4) Fittings, (4) Plugs, (2) Lock Pins.
R200005	0.859"	5.440"	A	Bronze	(4) R210005	(4) R210252		(4) Plugs, (2) Washers, (2) Lock Pins, (2) Nuts.
R200041	0.859"	6.073"	A	Bronze	(2) R210039 (2) R210040	(4) R210252		(4) Fittings, (2) Seals, (2) Washers, (2) Lock Pins, (2) Nuts.
R200040	0.859"	6.360"	A	Bronze	(4) R210035	(4) R210252		(8) Plugs, (4) Fittings, (2) Seals, (2) Washers, (2) Lock Pins, (2) Nuts.
R200037	0.859"	6.360"	A	Bronze	(4) R210036	(4) R210252		(4) Plugs, (4) Fittings, (2) Seals, (2) Washers, (2) Lock Pins, (2) Nuts.
R200030	0.859"	6.360"	A	Nylon	(4) R210031	(4) R210252		(2) Seals, (4) Plugs, (4) Fittings, (2) Washers, (2) Lock Pins, (2) Nuts.
R200035	0.859"	6.480"	A	Bronze	(4) R210035	(4) R210252		(4) Plugs, (4) Fittings, (2) Seals, (2) Washers, (2) Lock Pins, (2) Nuts.
R200070	0.859"	6.483"	A	Nylon	(4) R210031	(4) R210252		(4) Fittings, (4) Plugs, (2) Seals, (2) Washers, (2) Lock Pins, (2) Nuts.
R200222	0.859"	6.550"	C	Bronze	(4) R210058	(4) R210258		(4) Seals, (2) Washers, (2) Lock Pins, (2) Nuts.
R200036	0.859"	6.670"	A	Bronze	(4) R210035	(4) R210252		(4) Plugs, (4) Fittings, (2) Seals, (2) Washers, (2) Lock Pins, (2) Nuts.
R200059	0.859"	6.670"	A	Nylon	(4) R210031	(4) R210252		(4) Fittings, (4) Plugs, (2) Seals, (2) Washers, (2) Lock Pins, (2) Nuts.
R200010	0.921"	5.640"	A	Bronze	(4) R210009	(4) R210258		(4) Plugs, (2) Washers, (2) Lock Pins, (2) Nuts.
R200226	0.921"	5.640"	A	Bronze	(4) R210009	(4) R210258		(4) Gaskets, (4) Plugs, (2) O-Rings, (2) Washers, (2) Lock Pins, (2) Nuts.
R200012	0.921"	7.000"	C	Bronze	(4) R210013	(4) R210258		(4) Seals, (2) Washers, (2) Lock Pins, (2) Nuts.
R200014	0.936"	6.47"	A	Bronze	(2) R210016 (2) R210017	(4) R210258		(4) Plugs, (2) Lock Pins.
R200039 ¹	1.054"	6.450"	A	Bronze	(4) R210038	(4) R210207		(8) Plugs, (4) Fittings, (2) Seals, (2) Washers, (2) Lock Pins, (2) Nuts.
R200038	1.054"	6.450"	A	Bronze	(4) R210037	(4) R210207		(8) Plugs, (4) Fittings, (2) Seals, (2) Washers, (2) Lock Pins, (2) Nuts.
R200049	1.054"	6.685"	A	Bronze	(4) R210045	(4) R210207		(4) Fittings, (4) Plugs, (2) Seals, (2) Washers, (2) Lock Pins, (2) Nuts.
R200062	1.054"	6.969"	A	Bronze	(4) R210045	(4) R210207		(4) Fittings, (4) Plugs, (2) Seals, (2) Washers, (2) Lock Pins, (2) Nuts.
R200007	1.109"	6.250"	A	Bronze	(4) R210007	(4) R210207		(4) Gaskets, (2) Washers, (2) Lock Pins, (2) Nuts.
R200271	1.109"	6.340"	A	Bronze	(4) R210001	(2) R210210 (2) R210211 (2) R210259		(4) Gaskets, (2) Seals, (2) Washers, (2) Lock Pins, (2) Nuts.
R200027	1.109"	6.343"	A	Bronze	(4) R210001	(2) R210210 (2) R210211 (2) R210259		(2) Seals, (4) Gaskets, (2) Washers, (2) Lock Pins, (2) Nuts.
R200026	1.109"	6.343"	A	Nylon	(4) R210028	(2) R210210 (2) R210211 (2) R210259		(2) Spacers, (2) Seals, (4) Gaskets, (2) Washers, (2) Lock Pins, (2) Nuts.
R200001	1.109"	6.344"	A	Bronze	(4) R210001	(2) R210210 (2) R210211 (2) R210259		(8) Plugs, (2) Seals, (4) Gaskets, (2) Washers, (2) Lock Pins, (2) Nuts.
R200173	1.109"	6.810"	A	Bronze	(4) R210079	(2) R210232 (2) R210233	(2) 3101-B-106	(2) Seals, (6) Draw Keys, (2) Plugs, (2) Retainers, (2) Snap Rings. 3.75" end-to-groove.
R200171	1.109"	6.810"	A	Nylon	(4) R210078	(2) R210232 (2) R210233	(2) 3101-B-106	(2) Seals, (6) Draw Keys, (2) Plugs, (2) Retainers, (2) Snap Rings. 3.75" end-to-groove.
R200002	1.119"	6.344"	A	Bronze	(4) R210001	(2) R210210 (2) R210211 (2) R210259		(8) Plugs, (2) Seals, (4) Gaskets, (2) Washers, (2) Lock Pins, (2) Nuts.
R200060	1.124"	7.190"	B	Bronze	(4) R210014	(4) R210207		(4) Plugs, (4) Washers, (4) Lock Pins, (4) Nuts.
R200053	1.124"	7.190"	B	Nylon	(4) R210049	(4) R210207		(4) Plugs, (4) Washers, (4) Lock Pins, (4) Nuts.
R200219	1.125"	6.250"	A	Bronze	(4) R210007	(4) R210207		(4) Gaskets, (2) Washers, (2) Lock Pins, (2) Nuts.
R200013	1.125"	7.250"	B	Bronze	(2) R210014 (2) R210015	(4) R210207		(4) Plugs, (4) Washers, (4) Lock Pins, (4) Nuts.
R200265	1.129"	7.670"	C	Bronze	(4) R210104	(4) R210207		(4) Seals, (2) Washers, (2) Lock Pins, (2) Nuts.
R200046	1.179"	6.360"	A	Bronze	(4) R210043	(6) R210208		(4) Gaskets, (2) Seals, (2) Washers, (2) Lock Pins, (2) Nuts.
R200045	1.179"	6.360"	A	Nylon	(4) R210042	(6) R210208		(4) Gaskets, (2) Spacers, (2) Seals, (2) Washers, (2) Lock Pins, (2) Nuts.
R200018	1.231"	7.860"	C	Bronze	(4) R210021	(2) R210210 (2) R210211 (2) R210259		(4) Seals, (2) Lock Pins, (2) Nuts.

NOTE: The King Pin part numbers listed are included in the indicated king pin kits and can also be purchased separately.
1 .01" oversize

King Pin Kit Identification - Straight Type

King Pin Kit Part No.	King Pin Dia.	King Pin Length	King Pin Type	Bushing Type	Bushing	Shim	King Pin	Additional Contents / Notes
R200029	1.231"	8.910"	C	Bronze	(4) R210030	(2) R210210 (2) R210211 (2) R210259		(4) Seals, (2) Lock Pins, (2) Nuts.
R200028	1.231"	8.910"	C	Nylon	(4) R210029	(2) R210210 (2) R210211 (2) R210259		(4) Seals, (2) Lock Pins, (2) Nuts.
R200008	1.234"	6.750"	A	Bronze	(4) R210008	(2) R210210 (2) R210211 (2) R210259		(4) Gaskets, (2) Washers, (2) Lock Pins, (2) Nuts.
R201478	1.234"	6.781"	A	Easy Steer	(4) 1225-H-1074	(2) R210234 (2) R210235 (2) R210236 (2) R210237	(2) 3101-K-1077	(6) Seals, (2) Draw Keys, (2) Nuts, (4) Caps.
R201314	1.234"	7.438"	B	Bronze	(4) R210096	(6) R210234 (6) R210236 (6) R210237	(2) 3101-N-92	(8) Draw Keys, (8) Washers, (8) Capscrews, (4) Gaskets, (4) Caps, (4) Fittings.
R200143	1.234"	7.438"	B	Bronze	(4) R210070	(2) R210234 (2) R210235 (2) R210236 (2) R210237	(2) 3101-N-92	(4) Draw Keys, (2) Gaskets, (2) Plugs, (2) Snap Rings, (2) Caps, (4) Capscrews.
R200155	1.234"	7.438"	B	Nylon	(4) R210075	(2) R210234 (2) R210235 (2) R210236 (2) R210237	(2) 3101-N-92	(4) Draw Keys, (2) Gaskets, (2) Plugs, (2) Snap Rings, (2) Caps, (4) Capscrews.
R200006	1.234"	7.500"	A	Bronze	(4) R210006	(2) R210210 (2) R210211 (2) R210259		(2) Snap Rings, (2) Plugs, (4) Retainers, (2) Washers, (2) Lock Pins.
R200122	1.234"	7.500"	A	Bronze	(4) R210060	(2) R210236 (2) R210237	(2) 3101-H-60	(2) Draw Keys, (2) Cotter Pins, (2) Plugs, (2) Retainers.
R200023	1.234"	7.500"	A	Nylon	(4) R210025	(2) R210210 (2) R210211 (2) R210259		(4) Retainers, (2) Plugs, (2) Snap Rings, (2) Lock Pins, (4) Washers.
R200235	1.234"	7.640"	A	Bronze	(4) R210019	(2) R210210 (2) R210211 (2) R210259		(4) Plugs, (2) Washers, (4) Lock Pins, (2) Nuts.
R200047	1.234"	7.640"	A	Nylon	(4) R210044	(2) R210210 (2) R210211 (2) R210259		(4) Plugs, (2) Washers, (4) Lock Pins, (2) Nuts.
R200003	1.234"	7.656"	A	Bronze	(4) R210002	(2) R210210 (2) R210211 (2) R210259		(4) Gaskets, (2) Washers, (2) Lock Pins, (2) Nuts.
R200266 ¹	1.240"	8.910"	C	Bronze	(4) R210030	(2) R210210 (2) R210211 (2) R210259		(4) Seals, (2) Lock Pins, (2) Nuts.
R200019 ¹	1.241"	7.860"	C	Bronze	(4) R210021	(2) R210210 (2) R210211 (2) R210259		(4) Seals, (2) Lock Pins, (2) Washers, (2) Nuts.
R200016 ¹	1.244"	7.440"	B	Bronze	(4) R210019	(2) R210210 (2) R210211 (2) R210259		(2) Gaskets, (4) Screws, (2) Plugs, (2) Snap Rings, (4) Lock Pins.
R200009	1.249"	6.750"	A	Bronze	(4) R210008	(2) R210210 (2) R210211 (2) R210259		(4) Gaskets, (2) Washers, (2) Lock Pins, (2) Nuts.
R200004 ²	1.249"	7.656"	A	Bronze	(4) R210003	(2) R210210 (2) R210211 (2) R210259		(4) Gaskets, (2) Washers, (2) Lock Pins, (2) Nuts.
R200025	1.249"	7.888"	A	Bronze	(4) R210027	(2) R210210 (2) R210211 (2) R210259		(2) O-Rings, (4) Gaskets, (2) Washers, (2) Lock Pins, (2) Nuts.
R200024	1.249"	7.888"	A	Nylon	(4) R210026	(2) R210210 (2) R210211 (2) R210259		(4) Gaskets, (2) O-Rings, (2) Washers, (2) Lock Pins, (2) Nuts.
R200272	1.299"	7.748"	B	Bronze	(4) R210103	(4) R210249		(4) Seals, (4) Plugs, (4) Lock Pins, (4) Nuts.
R200052	1.359"	7.968"	A	Bronze	(4) R210048	(4) R210256		(8) Seals, (2) Lock Pins, (2) Nuts.
R200268	1.359"	7.970"	B	Bronze	(4) R210048	(4) R210214		(4) Fittings, (8) Screws, (8) Seals, (8) Washers, (18) Lock Pins.
R200210 ²	1.374"	7.970"	A	Bronze	(4) R210048	(4) R210214		(8) Seals, (2) Lock Pins, (2) Nuts.
R200280	1.433"	8.25"	B	Bronze	(4) R210041	(2) R210218 (2) R210267		(4) Lock Pins, (4) Nuts, (4) Plugs, (4) Seals.

NOTE: The King Pin part numbers listed are included in the indicated king pin kits and can also be purchased separately.

¹ .01" oversize

² .015" oversize

King Pin Kit Identification - Straight Type

King Pin Kit Part No.	King Pin Dia.	King Pin Length	King Pin Type	Bushing Type	Bushing	Shim	King Pin	Additional Contents / Notes
R200044	1.434"	8.250"	B	Bronze	(4) R210041	(2) R210218 (2) R210267		(6) Screws, (4) Seals, (2) Snap Rings, (2) Fittings, (2) Plugs, (2) Gaskets, (4) Lock Pins, (4) Nuts.
R200184	1.434"	8.500"	B	Bronze	(4) R210069	(2) R210205 (2) R210216	(2) 3101-M-91	(4) Draw Keys, (2) Gaskets, (2) Plugs, (2) Snap Rings.
R200142	1.434"	8.500"	B	Bronze	(4) R210069	(2) R210205 (2) R210216	(2) 3101-M-91	(2) Draw Keys, (2) Gaskets, (2) Plugs, (2) Snap Rings, (2) Caps, (6) Capscrews.
R200154	1.434"	8.500"	B	Nylon	(4) R210068	(2) R210205 (2) R210216	(2) 3101-M-91	(4) Draw Keys, (2) Gaskets, (2) Plugs, (2) Caps, (2) Snap Rings, (6) Capscrews, (2) Spacers.
R200021 ¹	1.443"	8.500"	B	Bronze	(4) R210012	(2) R210218 (2) R210267		(2) Snap Rings, (2) Plugs, (6) Screws, (2) Gaskets, (4) Lock Pins.
R200034	1.480"	8.866"	B	Bronze	(4) R210032	(2) R210218 (2) R210267		(12) Screws, (12) Washers, (4) Gaskets, (4) Lock Pins.
R200174	1.484"	8.526"	B	Bronze	(4) R210080	(2) R210245 (2) R210246 (2) R210247	(2) 3101-S-123	(4) Draw Keys, (12) Washers, (4) Gaskets.
R200031	1.484"	8.531"	B	Bronze	(4) R210032	(2) R210218 (2) R210267		(12) Screws, (12) Washers, (4) Gaskets, (4) Lock Pins.
R200054	1.484"	8.866"	A	Bronze	(4) R210032	(2) R210218 (2) R210267		(12) Screws, (12) Washers, (4) O-Rings, (4) Seals, (2) Lock Pins, (2) Nuts.
R200277	1.484"	8.866"	B	Bronze	(4) R210032	(2) R210218 (2) R210267		(18) Lock Pins, (12) Screws, (4) Seals, (4) Fittings, (4) O-Rings. Steel clad bronze bushings.
R201479	1.498"	7.153"	B	Easy Steer	(4) 1225-B-1328	(2) R210272 (2) R210273	(2) 3101-E-1071	(6) Seals, (4) Draw Keys, (4) Nuts, (4) Caps.
R201474	1.499"	7.511"	B	Easy Steer	(4) 1225-C-1329	(2) R210272 (2) R210273	(2) 3101-F-1072	(6) Seals, (4) Draw Keys, (4) Nuts, (4) Caps, (4) Fittings.
R201318	1.500"	8.944"	B	Easy Steer	(4) R210108	(2) R210272 (2) R210273	(2) 3101-J-1024	(6) Seals, (4) Draw Keys, (4) Nuts, (4) Caps, (12) Washers, (12) Capscrews, (4) Gaskets.
R200188	1.607"	8.740"	B	Bronze	(4) R210071	(2) R210219 (2) R210220 (2) R210221	(2) 3101-X-102	(12) Draw Keys, (4) Gaskets, (2) Plugs, (2) Snap Rings.
R200157	1.607"	8.740"	B	Bronze	(4) R210071	(2) R210219 (2) R210220 (2) R210221	(2) 3101-X-102	(12) Draw Keys, (4) Gaskets, (2) Plugs, (2) Snap Rings, (2) Caps, (4) Capscrews.
R200156	1.607"	8.740"	B	Nylon	(4) R210063	(2) R210219 (2) R210220 (2) R210221	(2) 3101-X-102	(12) Draw Keys, (2) Gaskets, (2) Plugs, (2) Snap Rings, (2) Caps, (4) Capscrews.
R201303	1.607"	8.812"	B	Stainless Steel	(4) R210087	(2) R210219 (2) R210220 (2) R210221	(2) 3101-M-195	(4) Draw Keys, (4) Gaskets, (2) Plugs, (2) Snap Rings, (2) Caps, (4) Capscrews.
R200275	1.607"	9.080"	B	Bronze	(4) R210046	(2) R210222 (2) R210254 (2) R210255		(4) Seals, (4) Plugs, (4) Lock Pins, (4) Nuts.
R200050	1.607"	9.080"	B	Bronze	(4) R210046	(2) R210222 (2) R210254 (2) R210255		(6) Screws, (4) Seals, (2) Fittings, (2) Snap Rings, (2) Plugs, (2) Gaskets, (4) Lock Pins, (4) Nuts.
R200196	1.607"	9.136"	B	Bronze	(4) R210083	(2) R210219 (2) R210220 (2) R210221	(2) 3101-D-186	(4) Seals, (4) Draw Keys, (4) Nuts, (6) Washers, (6) Capscrews, (2) Gaskets, (2) Plugs, (2) Snap Rings, (4) Caps.
R201300	1.607"	9.375"	B	Bronze	(4) R210086	(2) R210219 (2) R210220 (2) R210221	(2) 3101-H-190	(6) Seals, (12) Draw Keys, (12) Washers, (12) Capscrews, (4) Gaskets, (4) Caps.
R200057	1.609"	9.16"	A	Bronze	(4) R210033	(2) R210222 (2) R210254 (2) R210255		(12) Screws, (12) Washers, (8) Seals, (2) Lock Pins, (2) Nuts.
R200058	1.609"	9.16"	A	Nylon	(4) R210034	(2) R210222 (2) R210254 (2) R210255		(12) Screws, (12) Washers, (8) Seals, (2) Lock Pins, (2) Nuts.
R200073	1.609"	9.16"	B	Bronze	(4) R210033	(2) R210222 (2) R210254 (2) R210255		(4) Seals, (4) O-Rings, (4) Lock Pins.
R200178	1.609"	9.573"	B	Bronze	(4) R210081	(2) R210242 (2) R210243 (2) R210248	(2) 3101-T-124	(4) Draw Keys, (12) Washers, (4) Gaskets.
R200032	1.609"	9.610"	B	Bronze	(4) R210033	(2) R210222 (2) R210254 (2) R210255		(12) Screws, (12) Washers, (4) Gaskets, (4) Lock Pins.

NOTE: The King Pin part numbers listed are included in the indicated king pin kits and can also be purchased separately.

¹ .01" oversize

King Pin Kit Identification - Straight Type

King Pin Kit Part No.	King Pin Dia.	King Pin Length	King Pin Type	Bushing Type	Bushing	Shim	King Pin	Additional Contents / Notes
R200033	1.609"	9.610"	B	Nylon	(4) R210034	(2) R210222 (2) R210254 (2) R210255		(12) Screws, (12) Washers, (4) Gaskets, (4) Lock Pins.
R200055	1.609"	9.660"	A	Bronze	(4) R210033	(2) R210222 (2) R210254 (2) R210255		(12) Screws, (12) Washers, (8) Seals, (4) Lock Pins, (2) Nuts.
R200056	1.609"	9.660"	A	Nylon	(4) R210034	(2) R210222 (2) R210254 (2) R210255		(12) Screws, (12) Washers, (8) Seals, (4) Lock Pins, (2) Nuts.
R200042	1.609"	9.660"	B	Bronze	(4) R210033	(2) R210222 (2) R210254 (2) R210255		(12) Screws, (12) Washers, (8) Seals, (4) Gaskets, (4) Lock Pins.
R200278	1.609"	9.660"	B	Composite	(4) R210105	(2) R210222 (2) R210254 (2) R210255		(18) Lock Pins, (12) Screws, (4) Seals, (6) Fittings, (4) O-Rings.
R200043	1.609"	9.660"	B	Nylon	(4) R210034	(2) R210222 (2) R210254 (2) R210255		(12) Screws, (12) Washers, (8) Seals, (4) Gaskets, (4) Lock Pins.
R200075	1.611"	9.66"	A	Bronze	(4) R210033	(2) R210222 (2) R210254 (2) R210255		(12) Screws, (12) Washers, (4) O-Rings, (4) Seals, (4) Lock Pins, (2) Nuts.
R200074	1.611"	9.66"	B	Bronze	(4) R210033	(2) R210222 (2) R210254 (2) R210255		(6) Fittings, (12) Screws, (12) Washers, (4) O-Rings, (4) Seals, (4) Gaskets, (10) Lock Pins.
R200269 ³	1.625"	9.195"	A	Bronze	(4) R210102	(2) R210264 (2) R210265		(12) Screws, (12) Washers, (4) Fittings, (4) Gaskets, (2) Seals, (2) Lock Pins, (2) Nuts.
R200270 ⁴	1.625"	9.195"	A	Bronze	(4) R210102	(2) R210264 (2) R210265		(12) Screws, (12) Washers, (4) Fittings, (4) Gaskets, (2) Seals, (2) Lock Pins, (2) Nuts.
R200267 ³	1.625"	9.195"	A	Composite	(4) R210100	(2) R210264 (2) R210265		(12) Screws, (12) Washers, (4) Fittings, (4) Gaskets, (2) Seals, (2) Lock Pins, (2) Nuts.
R200251 ⁴	1.625"	9.195"	A	Composite	(4) R210100	(2) R210264 (2) R210265		(4) Fittings, (12) Screws, (12) Washers, (4) Gaskets, (2) Seals, (2) Lock Pins, (2) Nuts.
R200066	1.745"	9.380"	B	Bronze	(4) R210053	(2) R210223 (2) R210224 (2) R210225		(4) Seals, (4) Gaskets, (2) Plugs, (2) Snap Rings, (8) Lock Pins.
R201419	1.794"	8.844"	B	Easy Steer	(4) 1225-P-1264	(2) R210223 (2) R210224	(2) 3101-J-1076	(4) Seals, (4) Draw Keys, (4) Nuts, (4) Caps, (4) Fittings.
R200281	1.794"	9.05"	B	Bronze	(4) R210110	(2) R210223 (2) R210224 (2) R210225		(4) Fittings, (2) Lock Pins, (2) Nuts, (4) Seals, (4) O-Rings.
R200172	1.794"	9.120"	B	Bronze	(4) R210074	(2) R210223 (2) R210224 (2) R210225	(2) 3101-E-109	(4) Draw Keys, (2) Gaskets, (2) Plugs, (2) Snap Rings, (2) Caps, (6) Capscrews.
R200167	1.794"	9.120"	B	Nylon	(4) R210072	(2) R210223 (2) R210224 (2) R210225	(2) 3101-E-109	(4) Draw Keys, (2) Gaskets, (2) Plugs, (2) Snap Rings, (2) Caps, (6) Capscrews, (2) Spacers.
R201424	1.794"	9.180"	B	Easy Steer	(2) 1225-P-1264 (2) R210088	(2) R210223 (2) R210224 (2) R210225	(2) 3101-C-1069	(4) Seals, (6) Draw Keys, (4) Nuts, (4) Caps, (4) Fittings.
R200273	1.794"	10.070"	B	Bronze	(4) R210047	(2) R210223 (2) R210224 (2) R210225		(4) Seals, (4) Plugs, (4) Lock Pins, (4) Nuts.
R200061	1.794"	10.070"	B	Bronze	(4) R210047	(2) R210223 (2) R210224 (2) R210225		(12) Screws, (4) Gaskets, (4) Fittings, (4) Seals, (4) Lock Pins, (4) Nuts.
R200051	1.794"	10.070"	B	Bronze	(4) R210047	(2) R210223 (2) R210224 (2) R210225		(12) Screws, (4) Fittings, (4) Gaskets, (4) Seals, (4) Lock Pins, (4) Nuts.
R200276	1.794"	10.070"	B	Easy Steer	(4) R210088	(2) R210223 (2) R210224 (2) R210225		(12) Screws, (4) Seals, (4) Gaskets, (4) Fittings, (4) Lock Pins, (4) Nuts.
R201310	1.794"	10.392"	B	Bronze	(4) R210082	(2) R210223 (2) R210224 (2) R210225	(2) 3101-D-1070	(6) Seals, (4) Draw Keys, (4) Nuts, (12) Washers, (12) Capscrews, (4) Gaskets, (4) Caps.
R200195	1.794"	10.392"	B	Bronze	(4) R210082	(4) R210223 (4) R210224	(2) 3101-D-1070	(4) Draw Keys, (12) Washers, (12) Capscrews, (4) Seals, (4) Caps, (4) Gaskets, (4) Fittings.
R201473	1.794"	10.392"	B	Easy Steer	(4) R210088	(4) R210223 (4) R210224	(2) 3101-D-1070	(4) Caps, (4) Fittings, (4) Seals, (4) Draw Keys, (4) Nuts, (12) Capscrews, (12) Washers, (4) Gaskets.

NOTE: The King Pin part numbers listed are included in the indicated king pin kits and can also be purchased separately.

³ Roller type thrust bearing.

⁴ Contains thrust washer

King Pin Kit Identification - Straight Type

King Pin Kit Part No.	King Pin Dia.	King Pin Length	King Pin Type	Bushing Type	Bushing	Shim	King Pin	Additional Contents / Notes
R201425	1.794"	10.392"	B	Easy Steer	(4) R210088	(2) R210223 (2) R210224 (4) R210225	(2) 3101-D-1070	(6) Seals, (6) Draw Keys, (4) Nuts, (12) Washers, (12) Capscrews, (4) Gaskets, (4) Caps.
R201470	1.794"	10.392"	B	Easy Steer	(4) R210088	(4) R210223 (4) R210224	(2) 3101-D-1070	(4) Seals, (4) Draw Keys, (4) Nuts, (12) Washers, (12) Capscrews, (4) Gaskets, (4) Caps, (4) Fittings.
R201471	1.794"	10.392"	B	Easy Steer	(4) R210088	(2) R210223 (2) R210224 (4) R210225	(2) 3101-D-1070	(6) Seals, (4) Draw Keys, (4) Nuts, (12) Washers, (12) Capscrews, (4) Gaskets, (4) Caps.
R201319	1.794"	10.392"	B	Easy Steer	(4) R210088	(2) R210223 (2) R210224 (4) R210225	(2) 3101-D-1070	(6) Seals, (4) Draw Keys, (4) Nuts, (12) Washers, (12) Capscrews, (4) Gaskets, (4) Caps.
R201307	1.794"	10.392"	B	Easy Steer	(4) R210088	(4) R210223 (4) R210224	(2) 3101-D-1070	(4) Seals, (4) Draw Keys, (4) Nuts, (12) Washers, (12) Capscrews, (4) Gaskets, (4) Caps, (4) Fittings.
R201309	1.794"	10.392"	B	Easy Steer	(4) R210088	(2) R210223 (2) R210224 (2) R210225	(2) 3101-D-1070	(6) Seals, (4) Draw Keys, (4) Nuts, (12) Washers, (12) Capscrews, (4) Gaskets, (4) Caps.
R201315	1.794"	10.392"	B	Easy Steer	(4) R210088	(4) R210223 (4) R210224	(2) 3101-D-1070	(4) Seals, (4) Draw Keys, (4) Nuts, (12) Washers, (12) Capscrews, (4) Gaskets, (4) Caps, (4) Fittings.
R200199	1.794"	10.410"	B	Bronze	(4) R210082	(2) R210223 (2) R210224 (2) R210225	(2) 3101-P-146	(2) Seals, (4) Draw Keys, (12) Washers, (12) Capscrews, (4) Gaskets, (4) Caps.
R200193	1.794"	10.410"	B	Bronze	(4) R210082	(2) R210223 (2) R210224 (2) R210225	(2) 3101-P-146	(2) Seals, (4) Draw Keys, (4) Gaskets, (4) Caps, (12) Capscrews.
R201306	1.794"	11.250"	F	Bronze	(4) R210082	(2) R210223 (2) R210224 (2) R210226	(2) 3101-P-198	(4) Seals, (4) Draw Keys, (2) Nuts, (16) Washers, (14) Capscrews, (4) Gaskets. Aluminum axle center.
R201308	1.794"	11.250"	F	Easy Steer	(4) R210088	(2) R210223 (2) R210224 (2) R210226	(2) 3101-P-198	(4) Seals, (4) Draw Keys, (2) Nuts, (16) Washers, (14) Capscrews, (4) Gaskets. Aluminum axle center.
R200069	1.810"	10.375"	A	Bronze	(4) R210020	(2) R210227 (2) R210253		(4) Screws, (4) Felts, (4) Washers, (2) Lock Pins, (2) Nuts.
R200067	1.810"	10.531"	A	Bronze	(4) R210020	(2) R210227 (2) R210253		(2) Seals, (2) Gaskets, (2) Lock Pins.
R200068	1.810"	10.531"	A	Bronze	(4) R210020	(2) R210227 (2) R210253		(2) Seals, (2) Gaskets, (2) Lock Pins. Thrust bearing O.D. is 3.365".
R200017	1.810"	10.781"	A	Bronze	(4) R210020	(2) R210227 (2) R210253		(2) Lock Pins, (4) Gaskets, (2) Lock Pins, (2) Nuts.
R200250	1.873"	9.965"	A	Composite	(4) R210101	(2) R210228 (2) R210230 (2) R210231		(16) Screws, (16) Washers, (4) Fittings, (2) Seals, (2) Lock Pins, (2) Nuts.
R201426	1.921"	9.87"	B	Bronze				(4) Bushings, (6) Shims, (4) Fittings, (4) Lock Pins, (4) Nuts, (6) Seals, (4) O-Rings.
R200189	1.999"	11.040"	B	Bronze	(4) R210077	(2) R210228 (2) R210230	(2) 3101-A-105	(4) Draw Keys, (4) Gaskets, (2) Plugs, (2) Snap Rings.
R200191	1.999"	11.040"	B	Bronze	(4) R210077	(2) R210228 (2) R210230 (2) R210231	(2) 3101-A-105	(12) Draw Keys, (4) Gaskets, (2) Plugs, (2) Caps, (2) Snap Rings, (6) Capscrews.
R200170	1.999"	11.040"	B	Bronze	(4) R210077	(2) R210228 (2) R210230	(2) 3101-A-105	(4) Draw Keys, (4) Gaskets, (2) Plugs, (2) Snap Rings, (2) Caps, (6) Capscrews.
R200168	1.999"	11.040"	B	Nylon	(4) R210076	(2) R210228 (2) R210230	(2) 3101-A-105	(4) Draw Keys, (4) Gaskets, (2) Plugs, (2) Caps, (2) Snap Rings, (6) Capscrews, (2) Spacers.
R200198	1.999"	11.212"	B	Bronze	(4) R210085	(2) R210228 (2) R210229 (2) R210230 (4) R210231	(2) 3101-V-178	(6) Seals, (4) Draw Keys, (4) Nuts, (4) Caps, (12) Washers, (12) Capscrews, (4) Gaskets.
R201477	1.999"	11.212"	B	Easy Steer	(4) R210089	(2) R210228 (2) R210229 (2) R210230 (2) R210231	(2) 3101-V-178	(4) Caps, (12) Capscrews, (12) Washers, (4) Draw Keys, (4) Nuts, (4) Gaskets, (4) Seals, (4) Fittings.
R201475	1.999"	11.212"	B	Easy Steer	(4) R210089	(2) R210228 (2) R210229 (2) R210230 (4) R210231	(2) 3101-G-1073	(6) Seals, (4) Draw Keys, (4) Nuts, (4) Caps, (12) Washers, (12) Capscrews, (4) Gaskets, (4) Fittings.

NOTE: The King Pin part numbers listed are included in the indicated king pin kits and can also be purchased separately.

King Pin Kit Identification - Straight Type

King Pin Kit Part No.	King Pin Dia.	King Pin Length	King Pin Type	Bushing Type	Bushing	Shim	King Pin	Additional Contents / Notes
R201476	1.999"	11.212"	B	Easy Steer	(4) R210089	(2) R210228 (2) R210229 (2) R210230 (4) R210231	(2) 3101-V-178	(4) Caps, (4) Gaskets, (6) Seals, (4) Fittings, (12) Capscrews, (12) Washers, (4) Draw Keys, (4) Nuts.
R201312	1.999"	11.212"	B	Easy Steer	(4) R210089	(2) R210228 (2) R210229 (2) R210230 (4) R210231	(2) 3101-V-178	(6) Seals, (4) Draw Keys, (4) Nuts, (4) Caps, (12) Washers, (12) Capscrews, (4) Gaskets.
R201427	2.046"	10.120"	B	Bronze				(4) Bushings, (6) Shims, (4) Fittings, (4) Lock Pins, (4) Nuts, (6) Seals, (4) O-Rings.
R200279	2.046"	11.00"	B	Composite	(4) R210109			(6) Shims, (4) Fittings, (4) Lock Pins, (4) Nuts, (6) Seals, (4) O-Rings.
R200194	2.061"	13.250"	B	Bronze	(4) R210066	(2) 1244-A-1249 (2) 1244-V-1244 (2) 1244-W-1245 (2) 1244-X-1246 (2) 1244-Y-1247 (2) 1244-Z-1248	(2) 3101-R-174	(10) Draw Keys, (4) Nuts, (4) Washers, (12) Spacers.

King Pin Kit Identification - Tapered Type

King Pin Kit Part No.	King Pin Large Dia.	King Pin Small Dia.	King Pin Length	King Pin Type	Thread Length	Thread Size	Bushing Type	Bushing	Shim	King Pin	Additional Contents / Notes
R200022	1.434"	1.186"	8.750"	D	.937"	1"-14	Nylon	(2) R210010 (2) R210023 (2) R210024	(6) R210208		(2) Cotter Pins, (2) Snap Rings, (6) Screws, (4) Gaskets, (2) Retainers, (2) Washers, (2) Nuts, (2) Plugs.
R200011	1.434"	1.186"	8.750"	D	.937"	1"-14	Bronze	(2) R210010 (2) R210011 (2) R210012	(6) R210208		(2) Washers, (2) Cotter Pins, (2) Lock Rings, (6) Screws, (4) Gaskets, (2) Plugs, (2) Nuts.
R200234	1.434"	1.186"	9.406"	D	.937"	1"-12	Bronze	(4) R210059	(6) R210208		(6) Screws, (2) Plugs, (2) Cotter Pins, (2) Gaskets, (2) Lock Rings, (2) Nuts.
R200063	1.500"	1.250"	6.690"	E			Bronze	(2) R210004			(4) Seals, (2) Plugs, (2) Needle Bearings.
R200064	1.500"	1.250"	7.400"	E			Bronze	(2) R210050			(4) Seals, (2) Plugs, (2) Needle Bearings.
R200123	1.607"	1.308"	9.750"	D	.937"	1.125"-12	Nylon	(2) R210064 (4) R210063	(2) R210212 (2) R210213 (2) R210241	(2) 3101-B-80	(2) Nuts, (6) Washers, (2) Caps, (6) Capscrews, (2) Gaskets, (2) Cotter Pins, (2) Plugs, (2) Snap Rings, (4) Spacers.
R200186	1.607"	1.308"	9.750"	D	.937"	1.125"-12	Bronze	(2) R210071 (4) R210064	(2) R210212 (2) R210213 (2) R210241	(2) 3101-B-80	(2) Gaskets, (2) Plugs, (2) Snap Rings.
R200144	1.607"	1.308"	9.750"	D	.937"	1.125"-12	Bronze	(2) R210064 (4) R210071	(2) R210212 (2) R210213 (2) R210241	(2) 3101-B-80	(2) Nuts, (6) Washers, (2) Gaskets, (2) Cotter Pins, (2) Plugs, (2) Snap Rings.
R200065	1.625"	1.375"	7.470"	E			Bronze	(2) R210052			(2) Seals, (2) Plugs, (2) Needle Bearings.
R200145	1.794"	1.308"	10.750"	D	.750"	1.125"-12	Nylon	(2) R210061 (4) R210092	(2) R210212 (2) R210213	(2) 3101-C-81	(2) Nuts, (6) Washers, (6) Capscrews, (2) Gaskets, (2) Caps, (2) Cotter Pins, (2) Plugs, (2) Snap Rings.
R200121	1.794"	1.308"	10.750"	D	.750"	1.125"-12	Bronze	(2) R210061 (4) R210062	(2) R210212 (2) R210213 (2) R210241	(2) 3101-C-81	(2) Nuts, (6) Washers, (6) Capscrews, (2) Gaskets, (2) Caps, (2) Cotter Pins, (2) Plugs, (2) Snap Rings.
R200146	1.794"	1.400"	10.688"	D	.995"	1.125"-12	Nylon	(2) R210073 (4) R210072	(2) R210205 (2) R210216	(2) 3101-W-101	(2) Seals, (2) Nuts, (2) Caps, (10) Washers, (6) Capscrews, (2) Gaskets, (2) Cotter Pins.
R200153	1.794"	1.400"	10.688"	D	.995"	1.125"-12	Bronze	(2) R210073 (4) R210074	(2) R210205 (2) R210216	(2) 3101-W-101	(2) Seals, (2) Nuts, (8) Washers, (6) Capscrews, (2) Gaskets, (2) Caps, (2) Cotter Pins.
R200072	2.098"	1.746"	12.843"	D	2.06"	1.50"-12	Bronze	(2) R210054 (2) R210055			(4) Gaskets.
R200071	2.125"	1.750"	8.750"	E			Bronze	(2) R210056 (2) R210095			(4) Seals, (2) Plugs, (2) Needle Bearings.

NOTE: The King Pin part numbers listed are included in the indicated king pin kits and can also be purchased separately.

King Pin Kit to Bushing

King Pin Kit	Bushing Type	Bushing Number	Qty per Kit	Meritor Production No.
R200001	Bronze	R210001	4	
R200002	Bronze	R210001	4	
R200003	Bronze	R210002	4	
R200004	Bronze	R210003	4	
R200005	Bronze	R210005	4	
R200006	Bronze	R210006	4	
R200007	Bronze	R210007	4	
R200008	Bronze	R210008	4	
R200009	Bronze	R210008	4	
R200010	Bronze	R210009	4	
R200011	Bronze	R210011	2	
		R210012	2	
		R210010	2	
R200012	Bronze	R210013	4	
R200013	Bronze	R210015	2	
		R210014	2	
R200014	Bronze	R210017	2	
		R210016	2	
R200015	Nylon	R210018	4	
R200016	Bronze	R210019	4	
R200017	Bronze	R210020	4	
R200018	Bronze	R210021	4	
R200019	Bronze	R210021	4	
R200020	Bronze	R210022	4	
R200021	Bronze	R210012	4	
R200022	Nylon	R210024	2	
		R210010	2	
		R210023	2	
R200023	Nylon	R210025	4	
R200024	Nylon	R210026	4	
R200025	Bronze	R210027	4	
R200026	Nylon	R210028	4	
R200027	Bronze	R210001	4	
R200028	Nylon	R210029	4	
R200029	Bronze	R210030	4	
R200030	Bronze	R210031	4	
R200031	Bronze	R210032	4	
R200032	Bronze	R210033	4	
R200033	Nylon	R210034	4	
R200034	Bronze	R210032	4	
R200035	Bronze	R210035	4	
R200036	Bronze	R210035	4	
R200037	Bronze	R210036	4	
R200038	Bronze	R210037	4	
R200039	Bronze	R210038	4	
R200040	Bronze	R210035	4	
R200041	Bronze	R210039	2	
		R210040	2	
R200042	Bronze	R210033	4	
R200043	Nylon	R210034	4	
R200044	Bronze	R210041	4	

King Pin Kit	Bushing Type	Bushing Number	Qty per Kit	Meritor Production No.
R200045	Nylon	R210042	4	
R200046	Bronze	R210043	4	
R200047	Nylon	R210044	4	
R200048	Nylon	R210044	4	
R200049	Bronze	R210045	4	
R200050	Bronze	R210046	4	
R200051	Bronze	R210047	4	
R200052	Bronze	R210048	4	
R200053	Nylon	R210049	4	
R200054	Bronze	R210032	4	
R200055	Bronze	R210033	4	
R200056	Nylon	R210034	4	
R200057	Bronze	R210033	4	
R200058	Nylon	R210034	4	
R200059	Nylon	R210031	4	
R200060	Bronze	R210014	4	
R200061	Bronze	R210047	4	
R200062	Bronze	R210045	4	
R200063	Bronze	R210004	2	
R200064	Bronze	R210050	2	
R200065	Bronze	R210052	2	
R200066	Bronze	R210053	4	
R200067	Bronze	R210020	4	
R200068	Bronze	R210020	4	
R200069	Bronze	R210020	4	
R200070	Nylon	R210031	4	
R200071	Bronze	R210095	2	
		R210056	2	
R200072	Bronze	R210055	2	
		R210054	2	
R200073	Bronze	R210033	4	
R200074	Bronze	R210033	4	
R200075	Bronze	R210033	4	
R200121	Bronze	R210062	4	1225-K-297
		R210061	2	1225-J-296
R200122	Bronze	R210060	4	1225-Z-234
R200123	Nylon	R210064	2	1225-Z-338
		R210063	4	1225-W-517
R200142	Bronze	R210069	4	1225-G-761
R200143	Bronze	R210070	4	1225-B-366
R200144	Bronze	R210064	2	1225-Z-338
		R210071	4	1225-Y-337
R200145	Nylon	R210092	4	1225-N-534
		R210061	2	1225-J-296
R200146	Nylon	R210072	4	1225-B-552
		R210073	2	1225-U-437
R200153	Bronze	R210074	4	1225-V-750
		R210073	2	1225-U-437
R200154	Nylon	R210068	4	1225-A-521
R200155	Nylon	R210075	4	1225-D-524
R200156	Nylon	R210063	4	1225-W-517

King Pin Kit to Bushing

King Pin Kit	Bushing Type	Bushing Number	Qty per Kit	Meritor Production No.
R200157	Bronze	R210071	4	1225-Y-337
R200167	Nylon	R210072	4	1225-B-552
R200168	Nylon	R210076	4	1225-C-523
R200170	Bronze	R210077	4	1225-F-488
R200171	Nylon	R210078	4	1225-K-531
R200172	Bronze	R210074	4	1225-V-750
R200173	Bronze	R210079	4	1225-N-248
R200174	Bronze	R210080	4	1225-G-579
R200178	Bronze	R210081	4	1225-H-580
R200184	Bronze	R210069	4	1225-G-761
R200186	Bronze	R210064	4	1225-Z-338
		R210071	2	1225-Y-337
R200188	Bronze	R210071	4	1225-Y-337
R200189	Bronze	R210077	4	1225-F-488
R200190	Bronze	R210074	4	1225-V-750
R200191	Bronze	R210077	4	1225-F-488
R200193	Bronze	R210082	4	1225-D-836
R200194	Bronze	R210066	4	1225-F-318
R200195	Bronze	R210082	4	1225-D-836
R200196	Bronze	R210083	4	1225-V-828
R200198	Bronze	R210085	4	1225-L-818
R200199	Bronze	R210082	4	1225-D-836
R200210	Bronze	R210048	4	
R200219	Bronze	R210007	4	
R200222	Bronze	R210058	4	
R200226	Bronze	R210009	4	
R200232	Bronze	R210019	4	
R200234	Bronze	R210059	4	
R200235	Bronze	R210019	4	
R200250	Composite	R210101	4	
R200251	Composite	R210100	4	
R200265	Bronze	R210104	4	
R200266	Bronze	R210030	4	
R200267	Composite	R210100	4	
R200268	Bronze	R210048	4	
R200269	Bronze	R210102	4	
R200270	Bronze	R210102	4	
R200271	Bronze	R210001	4	

King Pin Kit	Bushing Type	Bushing Number	Qty per Kit	Meritor Production No.
R200272	Bronze	R210103	4	
R200273	Bronze	R210047	4	
R200274	Easy Steer	R210088	4	1225-W-985
R200275	Bronze	R210046	4	
R200276	Easy Steer	R210088	4	1225-W-985
R200277	Bronze	R210032	4	
R200278	Composite	R210105	4	
R200279	Composite	R210109	4	
R200280	Bronze	R210041	4	
R200281	Bronze	R210110	4	
R201300	Bronze	R210086	4	1225-B-938
R201303	Stainless Steel	R210087	4	1225-H-944
R201306	Bronze	R210082	4	1225-D-836
R201307	Easy Steer	R210088	4	1225-W-985
R201308	Easy Steer	R210088	4	1225-W-985
R201309	Easy Steer	R210088	4	1225-W-985
R201310	Bronze	R210082	4	1225-D-836
R201312	Easy Steer	R210089	4	1225-A-1041
R201314	Bronze	R210096	4	1225-E-1149
R201315	Easy Steer	R210088	4	1225-W-985
R201318	Easy Steer	R210108	4	1225-Z-1248
R201319	Easy Steer	R210088	4	1225-W-985
R201419	Easy Steer	1225-P-1264	4	
R201421	Bronze	R210082	4	1225-D-836
R201424	Easy Steer	1225-P-1264	2	
		R210088	2	1225-W-985
R201425	Easy Steer	R210088	4	1225-W-985
R201470	Easy Steer	R210088	4	1225-W-985
R201471	Easy Steer	R210088	4	1225-W-985
R201472	Easy Steer	1225-P-1264	4	
R201473	Easy Steer	R210088	4	1225-W-985
R201474	Easy Steer	1225-C-1329	4	
R201475	Easy Steer	R210089	4	1225-A-1041
R201476	Easy Steer	R210089	4	1225-A-1041
R201477	Easy Steer	R210089	4	1225-A-1041
R201478	Easy Steer	1225-H-1074	4	
R201479	Easy Steer	1225-B-1328	4	

Bushing to King Pin Kit

Bushing Number	Bushing Type	King Pin Kit	Qty per Kit	Meritor Production No.
1225-B-1328	Easy Steer	R201479	4	
1225-C-1329	Easy Steer	R201474	4	
1225-H-1074	Easy Steer	R201478	4	
1225-P-1264	Easy Steer	R201419	4	
		R201424	2	
		R201472	4	
R210001	Bronze	R200001	4	
		R200002	4	
		R200027	4	
		R200271	4	
R210002	Bronze	R200003	4	
R210003	Bronze	R200004	4	
R210004	Bronze	R200063	2	
R210005	Bronze	R200005	4	
R210006	Bronze	R200006	4	
R210007	Bronze	R200007	4	
		R200219	4	
R210008	Bronze	R200008	4	
		R200009	4	
R210009	Bronze	R200010	4	
		R200226	4	
R210010	Metal	R200011	2	
		R200022	2	
R210011	Bronze	R200011	2	
R210012	Bronze	R200011	2	
		R200021	4	
R210013	Bronze	R200012	4	
R210014	Bronze	R200013	2	
		R200060	4	
R210015	Bronze	R200013	2	
R210016	Bronze	R200014	2	
R210017	Bronze	R200014	2	
R210018	Nylon	R200015	4	
R210019	Bronze	R200016	4	
		R200232	4	
		R200235	4	
R210020	Bronze	R200017	4	
		R200067	4	
		R200068	4	
		R200069	4	
R210021	Bronze	R200018	4	
		R200019	4	
R210022	Bronze	R200020	4	
R210023	Nylon	R200022	2	
R210024	Nylon	R200022	2	
R210025	Nylon	R200023	4	
R210026	Nylon	R200024	4	
R210027	Bronze	R200025	4	
R210028	Nylon	R200026	4	
R210029	Nylon	R200028	4	

Bushing Number	Bushing Type	King Pin Kit	Qty per Kit	Meritor Production No.
R210030	Bronze	R200029	4	
		R200266	4	
R210031	Nylon	R200030	4	
		R200059	4	
		R200070	4	
R210032	Bronze	R200031	4	
		R200034	4	
		R200054	4	
		R200277	4	
R210033	Bronze	R200032	4	
		R200042	4	
		R200055	4	
		R200057	4	
		R200073	4	
		R200074	4	
		R200075	4	
R210034	Nylon	R200033	4	
		R200043	4	
		R200056	4	
		R200058	4	
R210035	Bronze	R200035	4	
		R200036	4	
		R200040	4	
R210036	Bronze	R200037	4	
R210037	Bronze	R200038	4	
R210038	Bronze	R200039	4	
R210039	Bronze	R200041	2	
R210040	Bronze	R200041	2	
R210041	Bronze	R200044	4	
	Bronze	R200280	4	
R210042	Nylon	R200045	4	
R210043	Bronze	R200046	4	
R210044	Nylon	R200047	4	
		R200048	4	
R210045	Bronze	R200049	4	
		R200062	4	
R210046	Bronze	R200050	4	
		R200275	4	
R210047	Bronze	R200051	4	
		R200061	4	
		R200273	4	
R210048	Bronze	R200052	4	
		R200210	4	
		R200268	4	
R210049	Nylon	R200053	4	
R210050	Bronze	R200064	2	
R210052	Bronze	R200065	2	
R210053	Bronze	R200066	4	
R210054	Bronze	R200072	2	
R210055	Bronze	R200072	2	
R210056	Bronze	R200071	2	

Bushing to King Pin Kit

Bushing Number	Bushing Type	King Pin Kit	Qty per Kit	Meritor Production No.
R210058	Bronze	R200222	4	
R210059	Bronze	R200234	4	
R210060	Bronze	R200122	4	1225-Z-234
R210061	Metal	R200121	2	1225-J-296
R210061		R200145	2	1225-J-296
R210062	Bronze	R200121	4	1225-K-297
R210063	Nylon	R200123	4	1225-W-517
R210063		R200156	4	1225-W-517
R210064	Metal	R200123	2	1225-Z-338
R210064		R200144	2	1225-Z-338
R210064		R200186	4	1225-Z-338
R210066	Bronze	R200194	4	1225-F-318
R210068	Nylon	R200154	4	1225-A-521
R210069	Bronze	R200142	4	1225-G-761
R210069		R200184	4	1225-G-761
R210070	Bronze	R200143	4	1225-B-366
R210071	Bronze	R200144	4	1225-Y-337
R210071		R200157	4	1225-Y-337
R210071		R200186	2	1225-Y-337
R210071		R200188	4	1225-Y-337
R210072	Nylon	R200146	4	1225-B-552
R210072		R200167	4	1225-B-552
R210073	Metal	R200146	2	1225-U-437
R210073		R200153	2	1225-U-437
R210074	Bronze	R200153	4	1225-V-750
R210074		R200172	4	1225-V-750
R210074		R200190	4	1225-V-750
R210075	Nylon	R200155	4	1225-D-524
R210076	Nylon	R200168	4	1225-C-523
R210077	Bronze	R200170	4	1225-F-488
R210077		R200189	4	1225-F-488
R210077		R200191	4	1225-F-488
R210078	Nylon	R200171	4	1225-K-531
R210079	Bronze	R200173	4	1225-N-248
R210080	Bronze	R200174	4	1225-G-579
R210081	Bronze	R200178	4	1225-H-580
R210082	Bronze	R200193	4	1225-D-836
R210082		R200195	4	1225-D-836
R210082		R200199	4	1225-D-836
R210082		R201306	4	1225-D-836
R210082		R201310	4	1225-D-836
R210082		R201421	4	1225-D-836


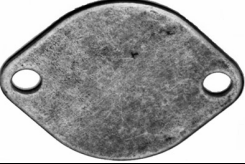







Bushing Number	Bushing Type	King Pin Kit	Qty per Kit	Meritor Production No.
R210083	Bronze	R200196	4	1225-V-828
R210085	Bronze	R200198	4	1225-L-818
R210086	Bronze	R201300	4	1225-B-938
R210087	Stainless Steel	R201303	4	1225-H-944
R210088	Easy Steer	R200274	4	1225-W-985
R210088		R200276	4	1225-W-985
R210088		R201307	4	1225-W-985
R210088		R201308	4	1225-W-985
R210088		R201309	4	1225-W-985
R210088		R201315	4	1225-W-985
R210088		R201319	4	1225-W-985
R210088		R201424	2	1225-W-985
R210088		R201425	4	1225-W-985
R210088		R201470	4	1225-W-985
R210088		R201471	4	1225-W-985
R210088		R201473	4	1225-W-985
R210089	Easy Steer	R201312	4	1225-A-1041
R210089		R201475	4	1225-A-1041
R210089		R201476	4	1225-A-1041
R210089		R201477	4	1225-A-1041
R210092	Nylon	R200145	4	1225-N-534
R210095	Bronze	R200071	2	
R210096	Bronze	R201314	4	1225-E-1149
R210100	Composite	R200251	4	
R210100		R200267	4	
R210101	Composite	R200250	4	
R210102	Bronze	R200269	4	
R210102		R200270	4	
R210103	Bronze	R200272	4	
R210104	Bronze	R200265	4	
R210105	Composite	R200278	4	
R210108	Easy Steer	R201318	4	1225-Z-1248
R210109	Composite	R200279	4	
R210110	Bronze	R200281	4	

Shims by I.D.






Part Number	Meritor Production Number	Inside Diameter	Outside Diameter	Thickness
R210252		.875"	1.562"	.005"
R210204		.953"	1.500"	.010"
R210258		.953"	1.750"	.005"
R210232	2203-E-109	1.125"	1.813"	.005"
R210233	2203-F-110	1.125"	1.813"	.016"
R210207		1.156"	1.750"	.010"
R210208		1.200"	1.938"	.005"
R210240	2203-X-1246	1.200"	2.500"	.015"
R210209		1.218"	2.328"	.005"
R210234	2203-R-200	1.250"	2.000"	.005"
R210235	2203-S-201	1.250"	2.000"	.008"
R210236	2203-T-202	1.250"	2.000"	.013"
R210237	2203-U-203	1.250"	2.000"	.024"
R210211		1.281"	1.875"	.010"
R210210		1.281"	2.000"	.005"
R210259		1.281"	2.000"	.015"
R210241	2203-J-3000	1.325"	2.500"	.005"
R210212	2203-V-2856	1.325"	2.500"	.010"
R210213	2203-A-807	1.325"	2.500"	.015"
R210214		1.391"	2.234"	.005"
R210205	2203-G-2997	1.445"	2.500"	.005"
R210215	2203-H-2998	1.445"	2.500"	.010"
R210216	2203-Y-2027	1.445"	2.500"	.015"
R210217	2203-A-2029	1.445"	2.500"	.030"
R210247	2203-P-3760	1.500"	2.265"	.020"
R210218		1.500"	2.375"	.005"
R210245	2203-M-3757	1.500"	2.625"	.005"
R210246	2203-N-3758	1.500"	2.625"	.010"
R210272	2803-G-2633	1.510"	2.500"	.005"
R210273	2803-H-2634	1.510"	2.500"	.010"
R210267	2203-L-272	1.516"	2.375"	.015"
R210219	2203-C-3903	1.618"	2.500"	.005"
R210220	2203-D-3904	1.618"	2.500"	.010"
R210221	2203-Z-2028	1.618"	2.500"	.015"
R210255		1.625"	2.687"	.010"
R210254	2203-E-213	1.625"	2.687"	.015"
R210222		1.625"	2.688"	.005"
R210264		1.660"	2.625"	.005"
R210265		1.660"	2.625"	.010"
R210242	2203-W-3761	1.688"	2.875"	.005"
R210243	2203-R-3762	1.688"	2.875"	.010"
R210248	2203-S-3763	1.688"	2.875"	.020"
R210249		1.766"	2.875"	.010"
R210251		1.766"	2.875"	.046"
R210223	2203-L-3002	1.805"	2.500"	.005"
R210224	2203-K-3001	1.805"	2.500"	.010"
R210225	2203-D-2942	1.805"	2.500"	.015"
R210226	2203-W-6809	1.805"	2.500"	.062"
R210227		1.875"	2.812"	.005"
R210253		1.875"	2.812"	.015"
R210228	2203-N-3004	2.010"	3.260"	.005"
R210229	2203-M-3003	2.010"	3.260"	.010"
R210230	2203-A-2835	2.010"	3.260"	.015"
R210231	2203-B-2836	2.010"	3.260"	.030"
R210244	2203-U-9303	2.250"	2.756"	.075"

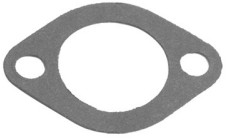
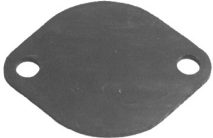





King Pin Caps

	Part Number	Bolt Circle Diameter	Thickness	Axle Used On
	2297-A-5279	1.97"	.31"	FC-901
	1199-W-1687	2.28"	.09"	FC-900
	2297-F-6402	2.31"	.31"	FC-941
	1199-H-1672	2 holes at 2.44" 1 hole at 2.63"	.09"	FD-900
	1199-J-1258	2.63"	.05"	16612W
	2297-T-4752S	2.63"	.31"	17100, FF-921, MFS10, MFS12, MFS13, MFS14
	1199-V-3220	2.63"	.31"	FF-903
	1199-Y-2027	3"	.09"	FH-901
	1199-M-3237	3"	.44"	FL-931, FQ-921, MFS16, MFS18



King Pin Caps - Threaded

	Part Number	Width Across Flats	Thread	Height	Axle Used On	Comments
		3280-E-9833	.875"	1.63"-20	.59"	MFS6
	3280-L-9762	.875"	2"-20	.66"	MFS7, MFS8	Not tapped for stud.
	A-3280-L-9762A	.875"	2"-20	.66"	MFS7, MFS8	Assembly includes .31"-18 threaded stud.
	3280-C-9831	.875"	2"-20	.75"	FF-981, FF-982, FF-986, MFS12, MFS13	


King Pin Cap Gaskets

	Part Number	Bolt Circle Diameter	Thickness	Axle Used On
		2208-N-1028	1.34"	.03"
	2208-F-370	1.63"	.03"	FC-900
	2208-Q-615	2.28"	.09"	FE-970
	3208-D-1070	2.31"	.06"	FC-941
	2208-M-377	2.63"	.03"	16612W
	3208-M-1027	2.63"	.05"	FF-931, MFS10, MFS12, MFS13, MFS14
	2208-S-513	3"	.03"	FH-901
	3208-N-1028	3"	.05"	FL-931, MFS16, MFS18



Retaining Rings

	Part Number	Inside Diameter	Outside Diameter	Thickness	Axle Used On
	1229-W-1115	1.04"			.05"
	1229-W-1141		1.94"	.06"	FE-970
	1229-M-1235		2.09"	.06"	16920, 16931
	1229-Z-1144		2.30"	.72"	FL-901




King Pin Nuts

	Part Number	Width Across Flats	Thread Size	Axle Used On
	1227-S-435	1.63"	1.00"-12	FD-900
	1227-R-434	1.63"	1.13"-12	16920, 16931
	1227-F-136	2.13"	1.25"-18	

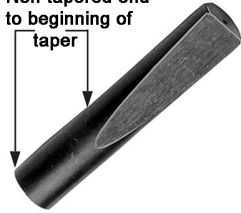


King Pin Capscrews

	Part Number	Length	Thread Size	Axle Used On	Comments
	A-10-X-468	.50"	.31"-18	16920, 16931, FL-901	Includes lockwasher.
	A-10-X-908	.50"	.31"-18	FE-970	Contains .125" diameter pellet.

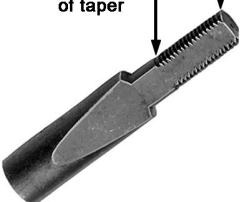
Washers

	Part Number	I.D.	O.D.	Thickness	
	1229-E-1669	.34"	.63"	.06"	
		1229-K-1597	.41"	.75"	.09"
		1229-L-4640	2.27"	4.50"	.25"
		1229-G-4713	3.50"	4.20"	.07"


Draw Keys

	Part Number	Length	Non-Tapered End to Beginning of Taper
		7-X-8	1.88"
	7-X-9	1.88"	.25"
	7-X-10	1.88"	
	7-X-73	2.00"	.08"
	7-X-71	2.00"	.19"
	7-X-72	2.00"	.38"
	7-X-65	2.25"	.44"
	7-X-66	2.25"	.56"
	7-X-67	2.25"	.69"
	7-X-125	2.33"	
	7-X-70	2.50"	.56"
	7-X-68	2.50"	.69"
	7-X-69	2.50"	.80"

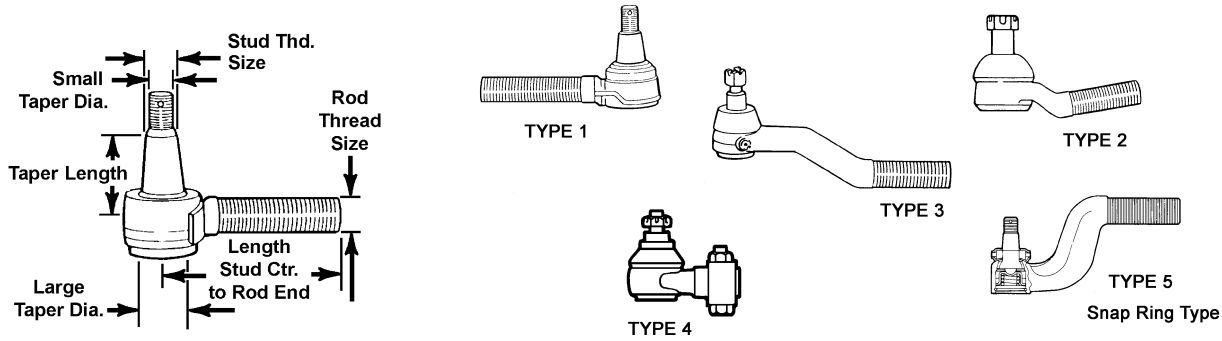
Draw Keys - Threaded

	Part Number	Length	Threaded End to Beginning of Taper	Thread Size
		7-X-1010	2.50"	1.16"
	7-X-1015	2.72"	1.22"	.44"-20
	7-X-112	2.81"	1.06"	.44"-20
	7-X-113	3.03"	1.25"	.44"-20
	7-X-1003	3.25"	1.41"	.44"-20
	7-X-1011	3.34"	1.53"	.44"-20
	7-X-1002	3.68"	1.62"	.44"-20
	7-X-111	3.88"	1.78"	.44"-20
	7-X-114	4.69"	2.13"	.44"-20

Draw Key Nut

	Part Number	Thread Size	Width Across Flats	Thickness
		1227-Z-780	.44"-20	.69"

Tie Rod and Drag Link Ends

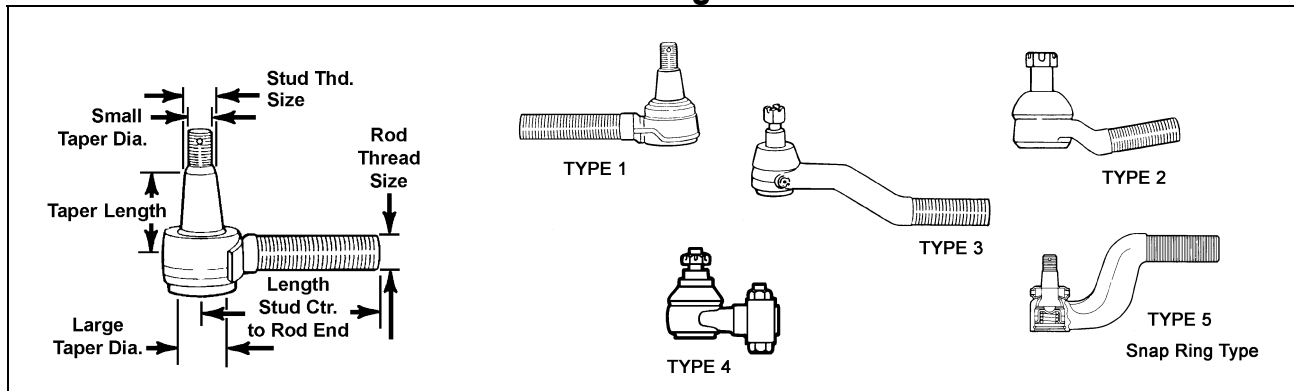


Part Number	Stud Center to Rod End	Rod Thread Size	Taper Length	Large Taper Dia.	Small Taper Dia.	Stud Thread Size	Style	Type	Meritor Production Number	Comments
R230405	3.12"	.94"-20 RH	1.11"	1.03"	.896"	.75"-16		4 ⁸		
R230422	3.12"	1.00"-16 RH	1.08"	1.03"	.967"	.875"-14		4 ⁸		
R230081	3.25"	.688"-18 RH	.744"	.701"	.612"	.563"-18	Curbside	1	A-3144-N-352	
R230082		.688"-18 LH					Roadside		A-3144-M-351	
R230003	3.50"	.75"-16 RH	.85"	.701"	.612"	.563"-18	Curbside	1		
R230002		.75"-16 LH					Roadside			
R230005	3.88"	1.00"-16 RH	.92"	.874"	.762"	.625"-18	Curbside	1		
R230004		1.00"-16 LH					Roadside			
R230007	3.88"	1.00"-16 RH	.936"	.773"	.664"	.625"-18	Curbside	1		
R230006		1.00"-16 LH					Roadside			
R230063	3.88"	1.00"-16 RH	1.00"	.899"	.78"	.75"-16	Curbside	1	A-3144-V-386	Lubrication fittings installed
R230062		1.00"-16 LH					Roadside		A-3144-U-385	
R230084	3.90"	1.00"-16 RH	.98"	.874"	.78"	.625"-18	Curbside	1	A2-3144-V-386	Lubrication fittings installed
R230085		1.00"-16 LH					Roadside		A2-3144-U-385	
R230086	4.43"	1.00"-16 RH	.928"	.899"	.78"	.75"-16	Curbside	1	A-3144-Z-442	Permanently sealed
R230087		1.00"-16 LH					Roadside		A-3144-Y-441	
R230019	4.43"	1.00"-16 RH	.96"	.899"	.783"	.75"-16	Curbside	1		
R230018		1.00"-16 LH					Roadside			
R230036	4.875"	1.125"-12 RH	1.07"	1.03"	.896"	.75"-16	Curbside	1		Anti-tilt seal
R230037		1.125"-12 LH					Roadside			
R230025	4.875"	1.125"-12 RH	1.07"	1.03"	.896"	.75"-16	Curbside	1		
R230024		1.125"-12 LH					Roadside			
R230061	4.875"	1.125"-12 RH	1.08"	1.107"	.967"	.875"-14	Curbside	1	A2-3144-J-192	
R230060		1.125"-12 LH					Roadside		A2-3144-K-193	
R230043	4.875"	1.125"-16 RH	1.00"	1.102"	.967"	.875"-14	Curbside	1		
R230035	4.93"	1.00"-16 RH	.976"	.899"	.783"	.75"-16	Curbside	1		
R230034		1.00"-16 LH					Roadside			
R230144	5.44"	1.125"-12 RH	.87"	1.024"	.915"	.75"-16	Curbside	1		
R230143		1.125"-12 LH					Roadside			
R230136	5.44"	1.125"-12 RH	1.08"	1.102"	.967"	.875"-14	Curbside	1 ⁹	A-3144-X-1142	Zerk on bottom
R230135		1.125"-12 LH					Roadside		A-3144-W-1141	
R230230	5.44"	1.125"-12 RH	1.08"	1.102"	.967"	.875"-14	Curbside	1 ¹⁰	A-3144-F-552	Zerk on bottom
R230241		1.125"-12 LH					Roadside		A-3144-G-553	
R230069	5.44"	1.125"-12 RH	1.10"	1.102"	.967"	.875"-14	Curbside	1 ³	A-3144-D-524	Zerk on bottom
R230068		1.125"-12 LH					Roadside		A-3144-E-525	
R230142	5.44"	1.125"-12 RH	1.14"	1.181"	1.038"	.875"-14	Curbside	1		
R230141		1.125"-12 LH					Roadside			
R230231	5.44"	1.125"-14 LH	1.04"	1.102"	.967"	.875"-14	Roadside	1		
R230090	5.44"	1.125"-18 RH	1.10"	1.102"	.967"	.875"-14	Roadside	1	A-3144-F-526	Zerk on bottom
R230051	5.50"	1.25"-12 RH	1.08"	1.102"	.967"	.875"-14		1		
R230056	5.75"	1.25"-12 RH	1.10"	1.25"	1.117"	.875"-14		1		
R230040	5.75"	1.25"-12 LH	1.10"	1.25"	1.117"	.875"-14		1		
R230041	5.75"	1.25"-12 RH	1.36"	1.25"	1.08"	.875"-14	Curbside	1		Side zerk
R230042		1.25"-12 LH					Roadside			
R230066	5.75"	1.25"-12 RH	1.36"	1.25"	1.08"	.875"-14	Curbside	1	A-3144-C-237	Anti-tilt seal. Side zerk
R230067		1.25"-12 LH					Roadside		A-3144-D-238	
R230070	5.75"	1.25"-12 RH	1.36"	1.25"	1.08"	.875"-14	Curbside	1	A-3144-J-296	Zerk on bottom
R230071		1.25"-12 LH					Roadside		A-3144-K-297	
R230077	5.75"	1.25"-16 RH	1.36"	1.25"	1.08"	.875"-14	Curbside	1	A1-3144-F-370	
R230095	5.75"	1.25"-18 RH	1.36"	1.25"	1.08"	.875"-14	Curbside	1	A-3144-E-551	
R230009	5.84"	1.00"-16 RH	1.00"	.908"	.783"	.75"-16	Curbside	1		
R230008		1.00"-16 LH					Roadside			

3 Height from center of rod to end of taper 2.22".
9 Height from center of rod to end of taper 2.15".

8 Internally threaded socket.
10 Height from center of rod to end of taper 2.40".

Tie Rod and Drag Link Ends



Part Number	Stud Center to Rod End	Rod Thread Size	Taper Length	Large Taper Dia.	Small Taper Dia.	Stud Thread Size	Style	Type	Meritor Production Number	Comments
R230139	6.00"	1.125"-12 RH	1.08"	1.102"	.967"	.875"-14	Curbside	1		
R230140		1.125"-12 LH					Roadside			
R230408	6.00"	1.125"-12 RH	1.10"	1.102"	.967"	.875"-14	Curbside	1		
R230409		1.125"-12 LH					Roadside			
R230031	6.07"	1.00"-16 RH	.976"	.899"	.783"	.75"-16	Curbside	1		
R230030		1.00"-16 LH					Roadside			
R230098	6.12"	1.50"-12 RH	2.28"	1.75"	1.465"	1.00"-12	Curbside	1	A-3144-H-1022	
R230099		1.50"-12 LH					Roadside		A-3144-J-1024	
R230410	6.38"	1.25"-12 RH	1.08"	1.10"	.967"	.875"-14		1		
R230013	6.50"	1.125"-16 RH	.85"	.995"	.893"	.75"-16	Curbside	1		
R230012		1.125"-16 LH					Roadside			
R230208	6.74"	.688"-18 RH	1.75"	.748"	.593"	.563"-18	Curbside	1		
R230225	6.83"	.688"-18 RH	1.78"	.744"	.593"	.563"-18	Curbside	1		
R230418	7.18"	1.00"-16 RH	.93"	.899"	.783"	.75"-16	Curbside	1		
R230419		1.00"-16 LH					Roadside			
R230073	7.37"	1.25"-12 RH	1.36"	1.25"	1.08"	.875"-14	Curbside	1	A-3144-F-448	Lubrication fittings installed
R230072		1.25"-12 LH					Roadside		A-3144-G-449	
R230134	7.38"	1.25"-12 RH	1.36"	1.25"	1.08"	.875"-14	Curbside	1	A-3144-T-1138	
R230133		1.25"-12 LH					Roadside		A-3144-S-1137	
R230129	7.382"	1.25"-12 RH	1.10"	1.218"	1.08"	.875"-14	Curbside	1	A-3144-H-1074	
R230130		1.25"-12 LH					Roadside		A-3144-J-1076	
R230145	7.75"	1.25"-12 RH	1.08"	1.102"	.967"	.875"-14	Curbside	1		
R230146		1.25"-12 LH					Roadside			
R230420	8.12"	1.25"-12 RH	1.10"	1.102"	.967"	.875"-14	Curbside	3		
R230421		1.25"-12 LH					Roadside			
R230132	8.12"	1.25"-12 RH	1.12"	1.107"	.967"	.875"-14	Curbside	3	A-3144-V-1088	
R230131		1.25"-12 LH					Roadside		A-3144-W-1089	
R230207	8.66"	.688"-18 RH	.95"	.752"	.666"	.625"-18	Roadside	1		
R230028	9.18"	1.125"-12 LH	1.00"	1.102"	.967"	.875"-14	Curbside	1		
R230029		1.125"-12 RH					Roadside			
R230416	9.43"	1.125"-12 RH	1.10"	1.102"	.967"	.875"-14	Curbside	1		
R230415		1.125"-12 LH					Roadside			
R230138	10.32"	1.25"-12 RH	1.080"	1.102"	.967"	.875"-14	Curbside	3	A-3144-R-1136	
R230137		1.25"-12 LH					Roadside		A-3144-Q-1135	
R230075	10.50"	1.625"-12 RH	1.10"	1.102"	.967"	.875"-14	Curbside	5 ⁴	A-3144-N-534, A2-3144-N-274	Zerk on side
R230074		1.625"-12 LH					Roadside		A-3144-M-533, A2-3144-M-273	
R230210	10.81"	1.375"-12 RH	.93"	.899"	.783"	.75"-16	Curbside	5		
R230209		1.375"-12 LH					Roadside			
R230218	10.84"	1.875"-12 RH	1.08"	1.102"	.967"	.875"-14	Curbside	5		
R230217		1.875"-12 LH					Roadside			
R230411	12.40"	1.25"-12 RH	1.36"	1.25"	1.08"	.875"-14		4 ⁸		
R230104	12.69"	1.875"-12 RH	1.36"	1.25"	1.08"	.875"-14	Curbside	3	A-3144-D-550	Lubrication fittings installed
R230105		1.875"-12 LH					Roadside		A-3144-C-549	
R230118	13.25"	1.438"-12 RH	.93"	.899"	.78"	.75"-16	Curbside	3		
R230117		1.438"-12 LH					Roadside			

4 KIT 3000 - Rebuild kit for snap ring type end - plain plug.
KIT 953 - Rebuild kit for snap ring type end - tapped plug .50"-13.

8 Internally threaded socket.

Crosstubes and End Assemblies



Crosstubes are available either with or without tie rod ends. In most cases, the part numbers are prefixed with an "A" are without. Part numbers prefixed with an "A1" or "A2" are supplied with tie rod ends. Note: The following crosstubes have two replaceable ends.

Part Number	Length w/o Ends	Length Ctr. to Ctr. of Ends	Large Dia. of Crosstube/ Thread Size	Axle Used On	Roadside End	Curbside End
A1-3102-Q-3865	21.54"	29.62"	1.75"/1.25"-12	FL-931	R230072	R230073
A-3102-A-3849	45.54"		1.75"/1.25"-12	FL-941		
A1-3102-A-3849		53.62"			R230072	R230073
A-3102-U-4233	49.00"		2.50"/1.875"-12	MFS16, MFS18, MFS20		
A1-3102-U-4233		66.69"			R230105	R230104
A-3102-Z-3848	49.54"		1.75"/1.25"-12	FL-941, FL-943		
A1-3102-Z-3848		57.62"			R230072	R230073
A-3102-R-4282	51.42"		1.75"/1.25"-12	FL-941		
A1-3102-R-4282		59.50"			R230072	R230073
A-3102-Q-3449	51.69"		1.50"/1.125"-12	FF-941		
A2-3102-Q-3449		57.57"			R230068	R230069
A1-3102-G-1957	52.25"	55.62"	1.25"/1.00"-16	FC-901	R230062	R230063
A-3102-R-3450	53.50"		1.50"/1.125"-12	FD-931, FF-941		
A2-3102-R-3450		59.38"			R230068	R230069
A-3102-Y-3847	53.54"		1.75"/1.25"-12	FL-941		
A1-3102-Y-3847		61.62"			R230072	R230073
A-3102-T-3972	53.62"		1.25"/1.00"-16	FC-901		
A1-3102-T-3972		58.00"			R230087	R230086
A-3102-T-4284	54.54"		1.75"/1.25"-12	FL-941		
A1-3102-T-4284		62.62"			R230072	R230073
A2-3102-Q-4229	55.24"	61.13"	1.75"/1.125"-12	FG-941	R230068	R230069
A-3102-S-3451	55.50"		1.50"/1.125"-12	FD-931, FF-941		
A2-3102-S-3451		61.38"			R230068	R230069
A-3102-X-4288	55.66"		1.75"/1.25"-12	FL-941		
A1-3102-X-4288		63.74"			R230072	R230073
A2-3102-X-4288		63.74"			R230131	R230132
A-3102-T-2802	56.12"		1.75"/1.25"-12	FH-901		
A-3102-T-3452	57.00"		1.50"/1.125"-12	FD-931, FF-941		
A2-3102-T-3452		62.88"			R230068	R230069
A-3102-M-2899	57.34"		1.75"/1.25"-12	FF-941		
A1-3102-M-2899		63.08"			R230071	R230070
A-3102-B-3850	57.54"		1.75"/1.25"-12	FL-941		
A1-3102-B-3850		65.62"			R230072	R230073
A-3102-S-4517	57.54"		1.75"/1.25"-12	MFS10, MFS12, MFS13		
A1-3102-S-4517		68.60"			R230131	R230132
A-3102-Y-3873	57.54"		2.00"/1.25"-12	FL-941		
A1-3102-Y-3873		66.00"			R230072	R230073
A-3102-G-2841	58.00"		1.75"/1.25"-12	FH-901		
A1-3102-G-2841		62.75"			R230071	R230070
A-3102-V-3454	58.12"		1.75"/1.125"-12	FF-931, FF-943, FG-941		
A2-3102-V-3454		64.00"			R230068	R230069
A-3102-W-3455	58.19"		1.50"/1.125"-12	FD-931, FF-943, FF-961		
A2-3102-W-3455		64.07"			R230068	R230069
A-3102-X-3456	58.50"		1.50"/1.125"-12	FF-931, FF-941, FF-943, FF-961		
A2-3102-X-3456		64.38"			R230068	R230069
A-3102-F-3464	58.94"		1.50"/1.125"-12	FF-931		
A2-3102-F-3464		64.82"			R230068	R230069
A-3102-R-3476	58.94"		2.00"/1.125"-12	FF-941, FF-942, FF-943, FG-941		
A2-3102-R-3476		64.82"			R230068	R230069
A1-3102-B-1978	59.25"	62.62"	1.25"/1.00"-16	FC-901	R230062	R230063


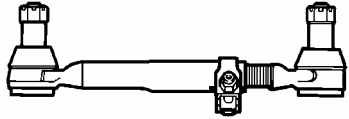

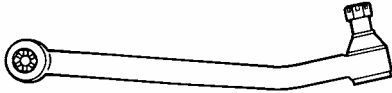
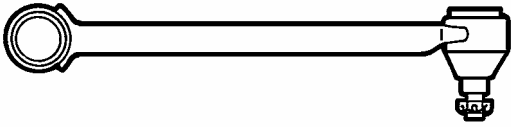
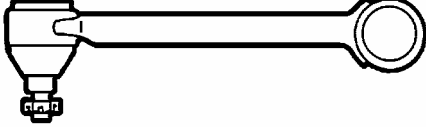
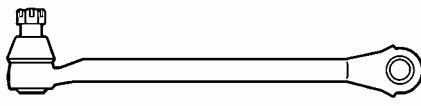
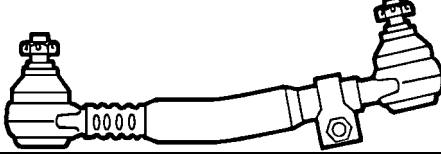
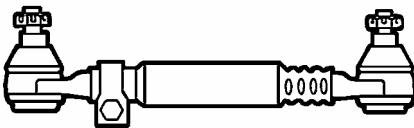
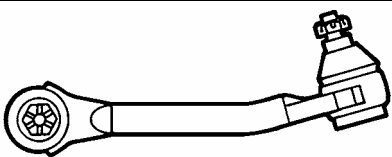
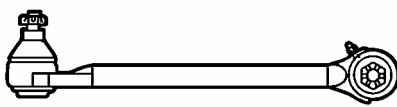
Crosstubes and End Assemblies



Crosstubes are available either with or without tie rod ends. In most cases, the part numbers are prefixed with an "A" are without. Part numbers prefixed with an "A1" or "A2" are supplied with tie rod ends. Note: The following crosstubes have two replaceable ends.

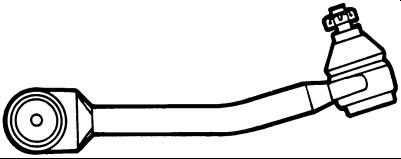
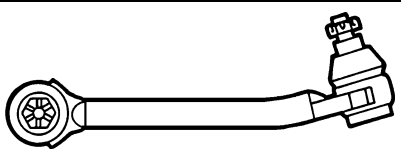
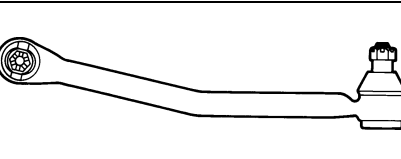
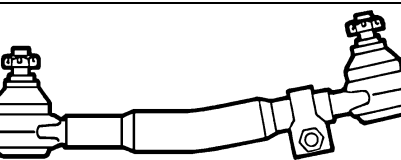
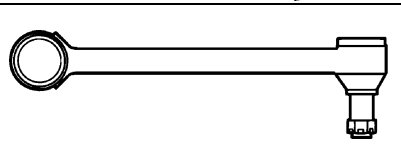
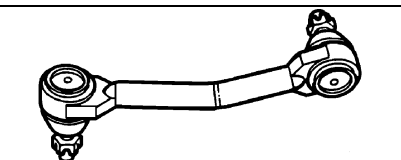
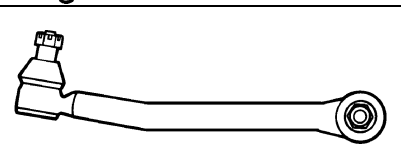
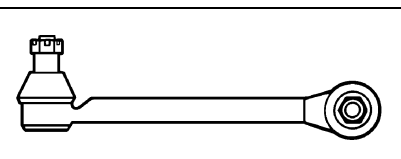
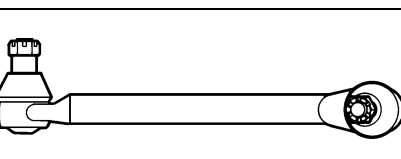
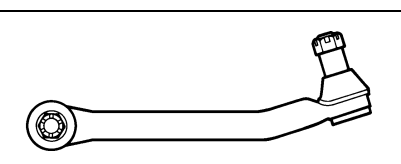
Part Number	Length w/o Ends	Length Ctr. to Ctr. of Ends	Large Dia. of Crosstube/ Thread Size	Axle Used On	Roadside End	Curbside End
A-3102-N-3472	59.37"		1.75"/1.125"-12	FF-931, FF-943		
A2-3102-N-3472		65.25"			R230068	R230069
A-3102-Y-3457	59.38"		1.50"/1.125"-12	FD-933, FF-931, FF-941, FF-943, FF-961		
A-3102-K-4379	59.63"		1.50"/1.125"-12	FC-941, FF-943, FF-981, FF-982, FF-986	R230068	R230069
A2-3102-K-4379		65.50"				
A-3102-L-4380	59.63"		1.75"/1.125"-12	FF-941	R230068	R230069
A2-3102-L-4380		65.50"			R230241	R230230
A3-3102-L-4380		65.50"				
A1-3102-D-2890	59.63"	67.19"	1.75"/1.25"-12	FH-945	R230072	R230073
A-3102-K-3365	59.75"			17100		
A4-3102-K-3365		65.49"	1.75"/1.25"-12		R230071	R230070
A-3102-C-4293	60.52"			FL-931		
A1-3102-C-4293		68.60"	1.75"/1.25"-12		R230072	R230073
A-3102-Z-3458	60.81"		1.50"/1.125"-12	FD-931, FF-941, FF-943, FF-961, FF-981, FF-982	R230068	R230069
A2-3102-Z-3458		66.69"				
A-3102-G-3465	60.81"		1.75"/1.25"-12	FG-941		
A2-3102-G-3465		66.06"			R230068	R230069
A1-3102-H-4532	61.50"	66.69"	1.75"/1.125"-12	MFS12	R230127	R230128
A-3102-R-4438	62.25"		1.75"/1.25"-12	FH-946		
A1-3102-R-4438		69.69"			R230129	R230130
A-3102-P-3474	62.50"		1.75"/1.125"-12	FF-931		
A2-3102-P-3474		68.38"			R230068	R230069
A-3102-J-4534	63.13"		1.75"/1.125"-12	MFS12		
A1-3102-J-4534		68.38"			R230127	R230128
A-3102-V-4312	64.59"		1.75"/1.125"-12	FG-941, MFS8		
A2-3102-V-4312		69.87"			R230068	R230069
A-3102-K-4535	64.63"		1.75"/1.125"-12	MFS12		
A1-3102-K-4535		69.87"			R230127	R230128
A-3102-Z-3484	65.00"		1.75"/1.125"-12	17111		
A3-3102-Z-3484		70.25"			R230241	R230240
A-3102-P-3370	65.50"		1.75"/1.25"-12	17101, FF-931, FG-952		
A4-3102-P-3370		71.24"			R230071	R230070

Drag Links Listed by Length

	Part Number	Length Stud Center to Stud Center	Industry Number
	R250067	14.21"	DS1179
	R250063 ⁶	16.27"	DS1020
	R250012	16.64"	DS800
	R250066	16.84"	DS1034
	R250345	16.89"	DS1044
	R250346	16.89"	DS1067
	R250001	17.00"	DS1064
	R250335 ⁶	17.13"	DS1022
	R250340 ⁶	17.37"	DS1031
	R250113	17.47"	DS1215
	R250102	17.53"	DS1198

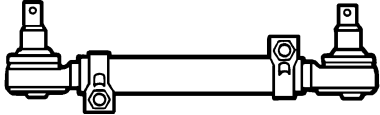
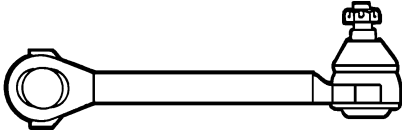

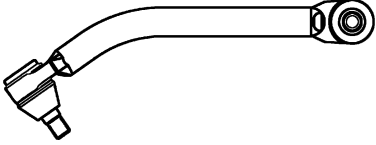
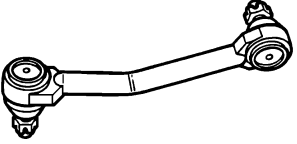
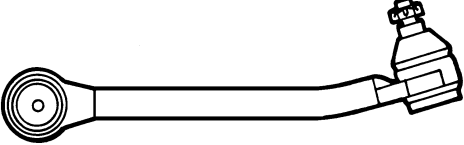
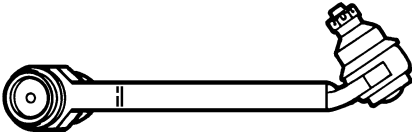
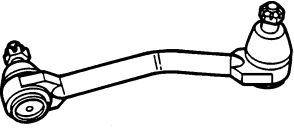
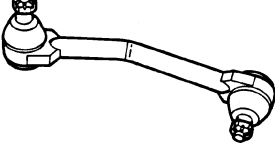
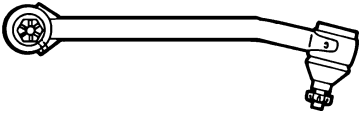
Note: All drag links are one piece - non-replaceable ends except as noted.
⁶ Two Piece - one replaceable end.

Drag Links Listed by Length

	Part Number	Length Stud Center to Stud Center	Industry Number
		R250357	17.53"
	R250112	17.68"	DS1214
	R250026	17.70"	DS910
	R250085 ⁶	17.88"	DS1028
	R250054	17.90"	DS988
	R250361	17.91"	DS1270
	R250052	17.93"	DS986
	R250053	17.96"	DS987
	R250025	18.03"	DS908
	R250051	18.14"	DS979

Note: All drag links are one piece - non-replaceable ends except as noted.
⁶ Two Piece - one replaceable end.

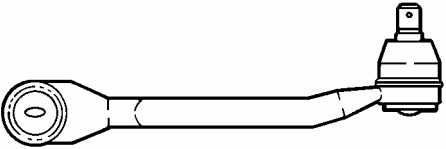
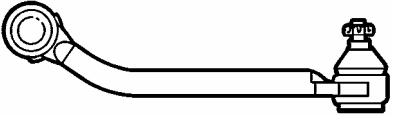
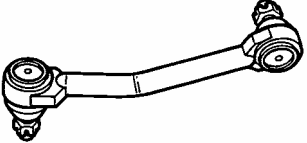
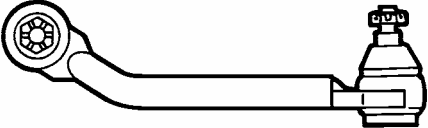
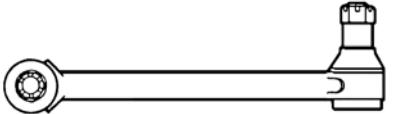
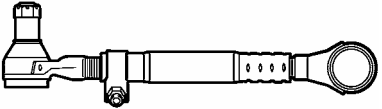
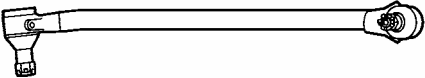
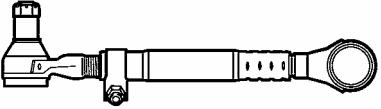
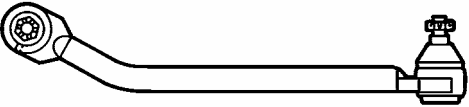

Drag Links Listed by Length

	Part Number	Length Stud Center to Stud Center	Industry Number
	R250093 ⁷	18.38"	DS1024
	R250103	18.50"	DS1199
	R250104	18.58"	DS1200
	R250124	19.06"	DS1442
	R250034	19.23"	DS949
	R250105	19.23"	DS1204
	R250033	19.25"	DS948
	R250395	19.43"	DS1369
	R250362	19.47"	DS1271
	R250316	19.48"	DS950

Note: All drag links are one piece - non-replaceable ends except as noted.

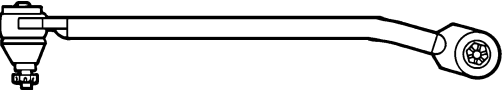


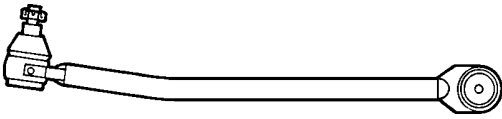
⁷ Three Piece - two replaceable ends.

Drag Links Listed by Length

	Part Number	Length Stud Center to Stud Center	Industry Number
	R250095	20.66"	DS1191
	R250392	21.23"	DS1366
	R250360	22.61"	DS1269
	R250088	28.28"	DS1186
	R250120	28.87"	DS1218
	R250055 ⁶	29.56"	DS992
	R250056 ⁶	29.56"	DS993
	R250057 ⁶	30.56"	DS994
	R250068	31.69"	DS1180
	R250359	32.53"	DS1268

Note: All drag links are one piece - non-replaceable ends except as noted.
⁶ Two Piece - one replaceable end.

Drag Links Listed by Length

	Part Number	Length Stud Center to Stud Center	Industry Number
	R250348	32.62"	DS1207
	R250347	36.15"	DS1203
	R250036	36.63"	DS953
	R250349	37.13"	DS1234

Drag Link Part Number to Length

Part Number	Length
R250001	17.00"
R250012	16.64"
R250025	18.03"
R250026	17.70"
R250033	19.25"
R250034	19.23"
R250036	36.63"
R250051	18.14"
R250052	17.93"
R250053	17.96"
R250054	17.90"
R250055	29.56"
R250056	29.56"
R250057	30.56"
R250063	16.27"

Part Number	Length
R250066	16.84"
R250067	14.21"
R250068	31.69"
R250085	17.88"
R250088	28.28"
R250093	18.38"
R250095	20.66"
R250102	17.53"
R250103	18.50"
R250104	18.58"
R250105	19.23"
R250112	17.68"
R250113	17.47"
R250120	28.87"
R250124	19.06"


Part Number	Length
R250316	19.48"
R250335	17.13"
R250340	17.37"
R250345	16.89"
R250346	16.89"
R250347	36.15"
R250348	32.62"
R250349	37.13"
R250357	17.53"
R250359	32.53"
R250360	22.61"
R250361	17.91"
R250362	19.47"
R250392	21.23"
R250395	19.43"

Note: All drag links are one piece - non-replaceable ends except as noted.


Beam Hanger Brackets

	Part Number	Small End of Housing Mounting Opening	Large End of Housing Mounting Opening	Distance Between Bushing Attaching Ears	Bracket Length	Comments
	3299-P-4072	4.28"	4.65"	5.78"	8.88"	4299-N-4070 Casting number. LHD, LHR, QHD, QHR
	3299-F-4530	4.65"	4.89"	5.78"	8.88"	4299-E-4529 Casting number. 7.00" Drop. QD100, QHP, SHD
	3299-H-4532	4.65"	5.31"	5.78"	8.88"	4299-G-4531 Casting number. 7.00" Drop. QD100, QHP, SHD
	3299-S-2775	4.68"	5.75"	5.78"	8.50"	4299-R-2774 Casting number. 6.50" Drop. SHD
	3299-B-1874	4.69"	4.69"	5.78"	8.50"	4299-A-1873 Casting number. 6.50" Drop. SHD







Cotter Pins

	Part Number	Length	Diameter
	K-2412	1.50"	.13"
	K-2414	1.75"	.13"
	K-2614	1.75"	.19"
	K-2616	2.00"	.19"
	K-2618	2.25"	.19"


Lockwasher

	Part Number	Bolt Size	Inside Diameter	Thickness	Comments
	WA-15Z	.31"	.32"	.08"	Tension medium.


Nuts

	Part Number	Thread	Width Across Flats	Thickness	Comments
	NL-16-1	.38"-24	.56"	.33"	Grade 8. Locking
	13-X-163	.50"-20	.75"	.31"	Grade 8. Non-Locking
	N-19-1	.56"-18	.88"	.48"	Grade 8. Non-Locking
	NL-210-1	.63"-11	.94"	.55"	Grade 8. Locking
	N-410-1	.63"-18	.94"	.91"	Grade 8. Non-Locking
	NL-112-1	.75"-26	1.13"	.64"	Grade 8. Locking
	NL-114-1	.88"-14	1.31"	.75"	Grade 8. Locking
	N-514-1	.88"-14	1.31"	.86"	Slotted, Grade 8. Non-Locking
	N-214-1	.88"-14	1.31"	.91"	Slotted, Grade 8. Non-Locking
	1227-X-1610	1.13"-12	1.97"	1.22"	Flanged Nut (Flange diameter 2.34"). Slotted, Grade 8. Non-Locking
	1227-W-1609	1.25"-12	1.97"	1.22"	Flanged Nut (Flange diameter 2.34"). Slotted, Grade 8. Non-Locking

Capscrews

	Part Number	Thread	Length	Comments
	S-255-2	.31"-18	.63"	Grade 8. Hexhead, Coarse thread
	S-256P-2	.31"-18	.75"	Grade 8. Hexhead, Coarse thread, Phosphate coated
	S-258-2	.31"-18	1.00"	Grade 8. Hexhead, Coarse thread
	S-259-2	.31"-18	1.13"	Grade 8. Hexhead, Coarse thread
	S-267-2	.38"-16	.88"	Grade 8. Hexhead, Coarse thread
	10-X-1592	.88"-14	4.00"	Grade 8. Hexhead

Miscellaneous Screws

	Part Number	Thread	Length	Comment
	10-X-1323	.50"-13	1.00"	Steel, Flathead machine screw.
	S-7812-S	.50"-13	1.50"	Steel, Flathead machine screw.

SECTION 2

INDEX

Application Guide	Page
Dana/Spicer	2-2
Eaton	2-4
Ford	2-6
Freightliner	2-38
GMC/Chevrolet	2-40
Kenworth	2-74
Mack	2-82
Meritor	2-94
Navistar	2-107
Peterbilt	2-137
Volvo	2-139
Western Star	2-143
Westport	2-145
White	2-147

DANA/SPICER

INDEX

Model	Page No.	Model	Page No.
I100SA thru I146SA	2-3	I60S thru I200S	2-3
I50 thru I132	2-3		

DANA/SPICER
I100SA thru I146SA

Tie Rod Ends

Axle Rating Lbs.	Axle Code/Year	Part Number/ Location	Stud Center to Rod End	OEM Reference	Notes
14000, 14600	I140SA, I146SA	R230069 Curbside	5.44"	1668408C91	Straight "I" beam.
		R230068 Roadside		1668407C91	
		R230028 Curbside	9.18"	1668409C91	
		R230029 Roadside		1668410C91	

I50 thru I132

King Pin Kits

Axle Rating Lbs.	Axle Code/Year	Part Number/ Bushing Type	King Pin Size	Type	OEM Reference	Notes
5000, 6000, 7500	I50, I60, I75	R200052 Bronze	1.359" x 7.968"	A	1648204C91	
		R200210 Bronze	1.374" x 7.970"			
8000	I80	R200268 Bronze	1.359" x 7.970"	B	1660271C91	
9000	I90	R200073 Bronze	1.609" x 9.16"	B	586806C91	
		R200057 Bronze	1.61" x 9.16"	A	493095C92	
10800, 12000, 13200	I108, I120, I132	R200056 Nylon	1.609" x 9.660"	A	493094C95	
		R200278 Composite	1.609" x 9.660"	B	1658394C91	
		R200074 Bronze	1.611" x 9.66"	B	588808C91	

Tie Rod Ends

Axle Rating Lbs.	Axle Code/Year	Part Number/ Location	Stud Center to Rod End	OEM Reference	Notes
5000, 6000, 7500, 8000	I50, I60, I75, I80	R230019 Curbside	4.43"	1660273C91	
		R230018 Roadside		1660272C91	
9000, 10800, 12000, 13200	I90, I108, I120, I132	R230230 Curbside	5.44"	506662C92	Dropped "I" beam.
		R230231 Roadside		506661C92	
		R230028 Curbside	9.18"	1649637C91	Straight "I" beam.
		R230029 Roadside		1649638C91	

I60S thru I200S

King Pin Kits

Axle Rating Lbs.	Axle Code/Year	Part Number/ Bushing Type	King Pin Size	Type	OEM Reference	Notes
6000, 8000	I60S, I80S, 02ADA, 02ADB	R200052 Bronze	1.359" x 7.968"	A	473695C92	
		R200268 Bronze	1.359" x 7.970"	B	1660271C91	
10000, 12000	I100S, I120S, 02ADC, 02ADD, 02ADG	R201426 Bronze	1.921" x 9.87"	B	1668411C91	
14000	I140S, 02ADE	R201427 Bronze	2.046" x 10.120"	B	1668412C91	
16000, 18000, 20000	I160S, I180S, I200S	R200279 Composite	2.046" x 11.00"	B	220KK100	

Tie Rod Ends

Axle Rating Lbs.	Axle Code/Year	Part Number/ Location	Stud Center to Rod End	OEM Reference	Notes
10000, 12000	I100S, I120S, 02ADC, 02ADD, 02ADG	R230069 Curbside	5.44"	507838C91	
		R230068 Roadside		507837C91	
		R230028 Curbside	9.18"	1649637C91	
		R230029 Roadside		1649638C91	
14000	I140S, 02ADE	R230069 Curbside	5.44"	1668408C91	Straight "I" beam.
		R230068 Roadside		1668407C91	
		R230028 Curbside	9.18"	1668409C91	
		R230029 Roadside		1668410C91	
16000, 18000, 20000	I160S, I180S, I200S	R230070 Curbside	5.75"	220TR116	Dropped "I" beam.
		R230071 Roadside		220TR115	
		R230104 Curbside	12.69"	220TR119	
		R230105 Roadside		220TR118	

INDEX

Model	Page No.	Model	Page No.
Conventional Steering Arm Axles	2-5	Integral Steering Arm Axle	2-5

Conventional Steering Arm Axles

King Pin Kits

Axle Rating Lbs.	Axle Code/Year	Part Number/ Bushings Type	King Pin Size	Type	OEM Reference	Notes
12000, 13000	EFA-12F3, EFA-13F3	R200251 Composite	1.625" x 9.195"	A	806356	Tapered pin.
		R200270 Bronze				
	EFA12F4, EFA-13F5	R200267 Composite	1.625" x 9.195"	A	806355	
		R200269 Bronze				
18000, 20000, 22000, 24000	EFA-18F3, EFA-20F4, EFA-22T2, EFA-22T5, EFA-24T2, EFA-24T5	R200250 Composite	1.873" x 9.965"	A	1008500	

Tie Rod Ends

Axle Rating Lbs.	Axle Code/Year	Part Number/ Location	Stud Center to Rod End	OEM Reference	Notes
12000, 13000	EFA-12F3, EFA-13F3, EFA-12F4, EFA-13F5	R230069 Curbside	5.44"	1006148	
		R230068 Roadside		1006149	
		R230420 Curbside	8.12"	1009010	
		R230421 Roadside		1009009	
18000, 20000, 22000, 24000	EFA-18F3, EFA-20F4, EFA-22T2, EFA-22T5, EFA-24T2, EFA-24T5	R230073 Curbside R230072 Roadside	7.37"	820695 820694	

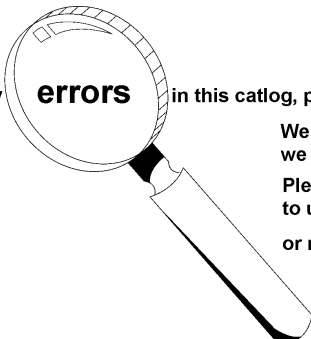
Integral Steering Arm Axle

King Pin Kits

Axle Rating Lbs.	Axle Code/Year	Part Number/ Bushings Type	King Pin Size	Type	OEM Reference	Notes
10000, 12000, 13200	E1000I, E1200I, E1320I	R200281 Bronze	1.794" x 9.05"	B	823078	

Tie Rod Ends

Axle Rating Lbs.	Axle Code/Year	Part Number/ Location	Stud Center to Rod End	OEM Reference	Notes
10000, 12000, 13200	E1000I, E1200I, E1320I	R230139 Curbside	6.00"	817019	
		R230140 Roadside		817018	
14600	E-1460I	R230073 Curbside R230072 Roadside	7.37"	820695 820694	



If you detect any **errors** in this catalog, please let us know.

We want the information to be as accurate as possible; we appreciate your help in making it so.

Please e-mail any comments/suggestions/corrections to us at: catalogfeedback@arvinmeritor.com

or mail to: ArvinMeritor
attn: Catalog Dept.
7975 Dixie Highway
Florence, KY 41042

INDEX

Model	Page No.	Model	Page No.
Aeromax (New Design) A and AT 95	2-7	HT950, H1000	2-24
B500, F500	2-7	L800, L8000 (Includes LN, LNT, LS, LT, LTL and LTS)	2-25
B600, B6000	2-7	L900, L9000 (Includes L, LL, LN, LNT, LS, LT, LTL and LTS)	2-28
B700, B750, B7000	2-9	LLA900, LLS900, LTLA900, LTLS900	2-31
C500, C550, C600, CT600, C700, CT700, C7000, C750, CT750, C800, C8000, CT800, CT8000, C850, CT850, C900, CT900, C9000, CT9000, C950, CT950, C1000, C1100	2-11	LN500	2-32
CF600, CF700	2-14	LN600	2-32
CF800, CFT800	2-15	LN700, LN750	2-33
CL900, CLT900, CL9000, CLT9000	2-16	LNT880, LT880	2-34
E200 (3/4 Ton) 2WD	2-16	Louisville (New Design) L and LT 85/95	2-34
E300 (1 Ton) 2WD	2-16	M400 Motor Home Chassis	2-35
F1000, F1100	2-16	N500, N600, N6000, N8000, N850, NT850, N950, NT950, N1000, N1100	2-35
F600, F6000, FT600, FT6000, F700, F7000, FT700	2-17	P100 (1/2 Ton) 2WD	2-36
F750	2-19	P350 (1 Ton) 2WD	2-36
F800, FT800, F880, F8000	2-20	P400, P500, P600	2-36
F850, F950	2-22	T800, T850, T950	2-37
F900, F9000, FT900, FT9000	2-23	W900, WT900, W9000, WT9000, W1000, WT10000	2-37

FORD

Aeromax (New Design) A and AT 95

Tie Rod Ends

Axle Rating Lbs.	Axle Code/Year	Part Number/ Location	Stud Center to Rod End	OEM Reference	Notes
12000, 13000	1996-98	R230145 Curbside	7.75"	F6HZ-3A130AA	
		R230146 Roadside		F6HZ-3A131AA	

Drag Links

Axle Rating Lbs.	Axle Code/Year	Part Number	Stud Center to Stud Center	OEM Reference	Notes
13000	1996-97	R250124	19.06"	F6HZ-3304FB	

B500, F500

King Pin Kits

Axle Rating Lbs.	Axle Code/Year	Part Number/ Bushing Type	King Pin Size	Type	OEM Reference	Notes
5000	1957-62	R200265 Bronze	1.129" x 7.670"	C	B7T-3111A	
	1961-77	R200018 Bronze	1.231" x 7.860"		C3TZ-3111A	
		R200019 Bronze	1.241" x 7.860"			

Tie Rod Ends

Axle Rating Lbs.	Axle Code/Year	Part Number/ Location	Stud Center to Rod End	OEM Reference	Notes
5000	1953-66	R230003 Curbside	3.50"	C1TZ-3A130A	w/Manual steering.
		R230002 Roadside		C1TZ-3A131A	
	1967-77	R230019 Curbside	4.43"	C7TZ-3A130D	
		R230018 Roadside		C7TZ-3A131D	

Drag Links

Axle Rating Lbs.	Axle Code/Year	Part Number	Stud Center to Stud Center	OEM Reference	Notes
5000	1967-77	R250012	16.64"	C7TZ-3304A	

B600, B6000

King Pin Kits

Axle Rating Lbs.	Axle Code/Year	Part Number/ Bushing Type	King Pin Size	Type	OEM Reference	Notes	
4700	1957-62	R200265 Bronze	1.129" x 7.670"	C	B7TZ-3111A	w/Multi-washer type thrust bearing.	
5000	1961-85	R200018 Bronze	1.231" x 7.860"	C	C3TZ-3111A		
		R200019 Bronze	1.241" x 7.860"				.01 oversize.
5500	1963-85	R200018 Bronze	1.231" x 7.860"	C	C3TZ-3111A		
		R200019 Bronze	1.241" x 7.860"				.01 oversize.
6000	1961-66	R200006 Bronze	1.234" x 7.500"	A	B7TZ-3111A		
		R200023 Nylon			C2TZ-3111A		
	1967-88	R200028 Nylon	1.231" x 8.910"	C	C7TZ-3111A		
		R200029 Bronze					
		R200266 Bronze	1.240" x 8.910"	C		.01 oversize.	
	1989-99	R200272 Bronze	1.299" x 7.748"	B	E8HZ-3111A		
7000	1961-66	R200143 Bronze	1.234" x 7.438"	B	B7TZ-3111F		
		R200155 Nylon					
		R200016 Bronze	1.244" x 7.440"	B			.01 oversize.
		R200028 Nylon	1.231" x 8.910"	C	C7TZ-3111A		Before W40,001.
			R200029 Bronze				
			R200266 Bronze	1.240" x 8.910"	C		.01 oversize. Before W40,001.
		1975-88	R200044 Bronze	1.434" x 8.250"	B	D6TZ-3111A	From W40,001 w/Air brakes.
		1980-88	R200028 Nylon	1.231" x 8.910"	C	C7TZ-3111A	w/Hydraulic brakes.
R200029 Bronze							
		R200266 Bronze	1.240" x 8.910"	C		.01 oversize. w/Hydraulic brakes.	
	1989-97	R200272 Bronze	1.299" x 7.748"	B	E8HZ-3111A	w/Air brakes.	
7500	1980-86	R200044 Bronze	1.434" x 8.250"	B	D6TZ-3111A	w/Air brakes.	
8000	1984-90	R200044 Bronze	1.434" x 8.250"	B	D6TZ-3111A	w/Air brakes.	
	1989-99	R200280 Bronze	1.433" x 8.25"	B	E9HZ-3111C	w/Air brakes from 2/91.	
9000	1975-90	R200044 Bronze	1.434" x 8.250"	B	D6TZ-3111A		
	1989-99	R200280 Bronze	1.433" x 8.25"	B	E9HZ-3111C	w/Air brakes from 2/91.	

FORD

B600, B6000 (Continued)

Tie Rod Ends

Axle Rating Lbs.	Axle Code/Year	Part Number/ Location	Stud Center to Rod End	OEM Reference	Notes	
4700	1957-62	R230003 Curbside	3.50"	C1TZ-3A130A		
		R230002 Roadside		C1TZ-3A131A		
5000	1961-66	R230003 Curbside	3.50"	C1TZ-3A130A	w/Manual steering.	
		R230002 Roadside		C1TZ-3A131A		
	1967-85	R230019 Curbside	4.43"	C7TZ-3A130D		
		R230018 Roadside		C7TZ-3A131D		
5500	1963-66	R230003 Curbside	3.50"	C1TZ-3A130A	w/Manual steering.	
		R230002 Roadside		C1TZ-3A131A		
	1967-83	R230019 Curbside	4.43"	C7TZ-3A130D		
		R230018 Roadside		C7TZ-3A131D		
6000	1967-89	R230019 Curbside	4.43"	C7TZ-3A130D, E8HZ-3A130A		
		R230018 Roadside		C7TZ-3A131D, E8HZ-3A131A		
	1990-98	R230035 Curbside	4.93"	F0HZ-3A130C	Low profile.	
		R230034 Roadside		F0HZ-3A131C		
		R230031 Curbside	6.07"	F0HZ-3A131E		
		R230030 Roadside		F0HZ-3A131F		
		R230118 Curbside	13.25"	F0HZ-3A130D		
	1995-99	R230117 Roadside		F0HZ-3A131D		
		R230418 Curbside	7.18"			
	R230419 Roadside					
	7000	1961-66	R230063 Curbside	3.88"	C1TZ-3A130B	
			R230062 Roadside		C1TZ-3A131B	
1967-89		R230019 Curbside	4.43"	C7TZ-3A130D	w/Hydraulic brakes.	
		R230018 Roadside		C7TZ-3A131D		
1973-75		R230019 Curbside	4.43"	C7TZ-3A130D	w/Air brakes before W40,001.	
		R230018 Roadside		C7TZ-3A131D		
1975-88		R230031 Curbside	6.07"	D5TZ-3A131A	w/Air brakes from W40,001.	
		R230030 Roadside		D5TZ-3A130A		
1990-94		R230035 Curbside	4.93"	F0HZ-3A130C		
		R230034 Roadside		F0HZ-3A131C		
		R230031 Curbside	6.07"	F0HZ-3A131E		
		R230030 Roadside		F0HZ-3A131F		
1990-97		R230118 Curbside	13.25"	F0HZ-3A130D	Low profile.	
		R230117 Roadside		F0HZ-3A131D		
1995-99		R230408 Curbside	6.00"	F3HZ-3A130B		
		R230409 Roadside		F3HZ-3A131B		
	R230418 Curbside	7.18"				
	R230419 Roadside					
7500	1980-89	R230031 Curbside	6.07"	D5TZ-3A131A	w/Air brakes.	
		R230030 Roadside		D5TZ-3A130A		
	1990-92	R230031 Curbside	6.07"	F0HZ-3A131B		
		R230030 Roadside		F0HZ-3A130B		
8000	1984-98	R230031 Curbside	6.07"	F0HZ-3A131B, D5TZ-3A131A		
		R230030 Roadside		F0HZ-3A130B, D5TZ-3A130A		
	1995-98	R230418 Curbside	7.18"	F5HZ-3A131B		
		R230419 Roadside		F5HZ-3A130B		
	9000	1975-94	R230031 Curbside	6.07"	F0HZ-3A131B, D5TZ-3A131A	
			R230030 Roadside		F0HZ-3A130B, D5TZ-3A130A	
1995-98		R230418 Curbside	7.18"	F5HZ-3A131B		
		R230419 Roadside		F5HZ-3A130B		
14600		1995-98	R230408 Curbside	6.00"	F3HZ-3A130B	
			R230409 Roadside		F3HZ-3A131B	

B600, B6000 (Continued)

Drag Links

Axle Rating Lbs.	Axle Code/Year	Part Number	Stud Center to Stud Center	OEM Reference	Notes
5000, 5500	1967-79	R250012	16.64"	C7TZ-3304A	
6000	1967-79	R250012	16.64"	C7TZ-3304A	w/Manual steering.
	1980-88	R250033	19.25"	E0HZ-3304A	To 12/87.
	1989-92	R250095	20.66"	E8HZ-3304B, F0HZ-3304G	
	1995-98	R250392	21.23"	F5HZ-3304A	
7000	1967-79	R250012	16.64"	C7TZ-3304A	w/Manual steering.
	1980-88	R250033	19.25"	E0HZ-3304A	To 12/87.
	1989-92	R250095	20.66"	E8HZ-3304B, F0HZ-3304G	
	1995-98	R250392	21.23"	F5HZ-3304A	
7500	1980-88	R250033	19.25"	E0HZ-3304A	
8000	1980-87	R250034	19.23"	E0HZ-3304B	
	1992-93	R250362	19.47"	F2HZ-3304D	Before 5/93.
	1993-98	R250395	19.43"	F4HZ-3304A	After 5/93.
9000	1980-87	R250034	19.23"	E0HZ-3304B	
	1992-93	R250362	19.47"	F2HZ-3304D	Before 5/93.
	1993-98	R250395	19.43"	F4HZ-3304A	After 5/93.
10000, 12000	1990-91	R250105	19.23"	F0HZ-3304A	

B700, B750, B7000

King Pin Kits

Axle Rating Lbs.	Axle Code/Year	Part Number/ Bushings Type	King Pin Size	Type	OEM Reference	Notes
5000	1961-76	R200018 Bronze	1.231" x 7.860"	C	C3TZ-3111A	
		R200019 Bronze	1.241" x 7.860"			
5500	1961-76	R200018 Bronze	1.231" x 7.860"	C	C3TZ-3111A	.01 oversize.
		R200019 Bronze	1.241" x 7.860"			
6000	1961-66	R200006 Bronze	1.234" x 7.500"	A	B7TZ-3111A	
		R200023 Nylon			C2TZ-3111A	
	1967-88	R200028 Nylon	1.231" x 8.910"	C	C7TZ-3111A	
		R200029 Bronze				
		R200266 Bronze	1.240" x 8.910"			
	1989-99	R200272 Bronze	1.299" x 7.748"	B	E8HZ-3111A	
7000	1967-75	R200028 Nylon	1.231" x 8.910"	C	C7TZ-3111A	
		R200029 Bronze				
		R200266 Bronze	1.240" x 8.910"			
		R200266 Bronze	1.240" x 8.910"			
	1967-86	R200028 Nylon	1.231" x 8.910"	C	C7TZ-3111A	1973-83 w/hydraulic brakes.
		R200029 Bronze				
	R200266 Bronze	1.240" x 8.910"	C		1973-83 w/hydraulic brakes. .01 oversize.	
	1975	R200044 Bronze	1.434" x 8.250"	B	D6TZ-3111A	w/Air brakes from W40,001.
	1980-88	R200044 Bronze				w/Air brakes.
1989-97	R200272 Bronze	1.299" x 7.748"	B	E8HZ-3111A		
7500	1980-86	R200044 Bronze	1.434" x 8.250"	B	D6TZ-3111A	w/Air brakes.
8000	1984-90	R200044 Bronze	1.434" x 8.250"	B	D6TZ-3111A	w/Air brakes.
1989-99	R200280 Bronze	1.433" x 8.25"	B	E9HZ-3111C	w/Air brakes from 2/91.	
9000	1971-78	R200142 Bronze	1.434" x 8.500"	B	D1HZ-3111A	
		R200154 Nylon			C2TZ-3111G	
		R200021 Bronze	1.443" x 8.500"		B	
	1977-90	R200044 Bronze	1.434" x 8.250"	B	D6TZ-3111A	
	1989-99	R200280 Bronze	1.433" x 8.25"	B	E9HZ-3111C	w/Air brakes from 2/91.

FORD

B700, B750, B7000 (Continued)

Tie Rod Ends

Axle Rating Lbs.	Axle Code/Year	Part Number/ Location	Stud Center to Rod End	OEM Reference	Notes
5000	1967-76	R230019 Curbside	4.43"	C7TZ-3A130D	
		R230018 Roadside		C7TZ-3A131D	
5500	1961-66	R230003 Curbside	3.50"	C1TZ-3A130A	w/Manual steering.
		R230002 Roadside		C1TZ-3A131A	
	1967-76	R230019 Curbside	4.43"	C7TZ-3A130D	
		R230018 Roadside		C7TZ-3A131D	
6000	1967-89	R230019 Curbside	4.43"	C7TZ-3A130D, E8HZ-3A130A	
		R230018 Roadside		C7TZ-3A131D, E8HZ-3A131A	
	1990-98	R230035 Curbside	4.93"	F0HZ-3A130C	Low profile.
		R230034 Roadside		F0HZ-3A131C	
		R230031 Curbside	6.07"	F0HZ-3A131E	
		R230030 Roadside		F0HZ-3A131F	
		R230118 Curbside		13.25"	
	R230117 Roadside	F0HZ-3A131D			
	1995-99	R230408 Curbside	6.00"	F3HZ-3A130B	
		R230409 Roadside		F3HZ-3A131B	
		R230418 Curbside	7.18"	F5HZ-3A131B	
		R230419 Roadside		F5HZ-3A130B	
7000	1967-75	R230019 Curbside	4.43"	C7TZ-3A130D	w/Air brakes to W40,001.
		R230018 Roadside		C7TZ-3A131D	
	1967-88	R230019 Curbside	4.43"	C7TZ-3A130D	1973-83 w/hydraulic brakes.
		R230018 Roadside		C7TZ-3A131D	
	1975-88	R230031 Curbside	6.07"	D5TZ-3A131A	w/Air brakes from W40,001.
		R230030 Roadside		D5TZ-3A130A	
	1989	R230019 Curbside	4.43"	C7TZ-3A130D, E8HZ-3A130A	w/Air brakes.
		R230018 Roadside		C7TZ-3A131D, E8HZ-3A131A	
	1990-94	R230031 Curbside	6.07"	F0HZ-3A131E, D5TZ-3A130A	
		R230030 Roadside		F0HZ-3A131F, D5TZ-3A131A	
	1990-97	R230118 Curbside	13.25"	F0HZ-3A130D	Low profile.
		R230117 Roadside		F0HZ-3A131D	
	1995-99	R230408 Curbside	6.00"	F3HZ-3A130B	
		R230409 Roadside		F3HZ-3A131B	
		R230418 Curbside	7.18"	F5HZ-3A131B	
		R230419 Roadside		F5HZ-3A130B	
7500	1977-86	R230031 Curbside	6.07"	D5TZ-3A131A	w/Air brakes.
		R230030 Roadside		D5TZ-3A130A	
8000	1984-98	R230031 Curbside	6.07"	D5TZ-3A131A	
		R230030 Roadside		D5TZ-3A130A	
	1995-99	R230418 Curbside	7.18"	F5HZ-3A131B	
9000	1977-94	R230031 Curbside	6.07"	D5TZ-3A131A	
		R230030 Roadside		D5TZ-3A130A	
	1995-98	R230418 Curbside	7.18"	F5HZ-3A131B	
		R230419 Roadside		F5HZ-3A130B	
14600	1995-98	R230408 Curbside	6.00"	F3HZ-3A130B	
		R230409 Roadside		F3HZ-3A131B	

B700, B750, B7000 (Continued)

Drag Links

Axle Rating Lbs.	Axle Code/Year	Part Number	Stud Center to Stud Center	OEM Reference	Notes
5000	1973-75	R250012	16.64"	C7TZ-3304A	To W20,001.
5500	1973-75	R250012	16.64"	C7TZ-3304A	To W20,001.
6000	1967-68	R250012	16.64"	C7TZ-3304A	w/Power steering.
	1967-75	R250012	16.64"	C7TZ-3304A	w/Manual steering.
	1977-79	R250012	16.64"	C7TZ-3304A	w/Hydraulic brakes.
	1980-87	R250033	19.25"	E0HZ-3304A	
	1989-92	R250095	20.66"	E8HZ-3304B, F0HZ-3304G	
	1995-98	R250392	21.23"	F5HZ-3304A	
7000	1967-68	R250012	16.64"	C7TZ-3304A	w/Power steering.
	1967-72	R250012	16.64"	C7TZ-3304A	w/Manual steering.
	1973-75	R250012	16.64"	C7TZ-3304A	w/Power steering to W20,001.
	1980-87	R250033	19.25"	E0HZ-3304A	
	1989-92	R250095	20.66"	E8HZ-3304B, F0HZ-3304G	
	1995-98	R250392	21.23"	F5HZ-3304A	
7500	1980-88	R250033	19.25"	E0HZ-3304A	
8000	1980-87	R250034	19.23"	E3HZ-3304B, E0HZ3304B	
	1992-93	R250362	19.47"	F2HZ-3304D	Before 5/93.
	1993-98	R250395	19.43"	F4HZ-3304A	After 5/93.
9000	1977-79	R250012	16.64"	C7TZ-3304A	w/Hydraulic brakes.
	1980-87	R250034	19.23"	E3HZ-3304B, E0HZ3304B	
	1992-93	R250362	19.47"	F2HZ-3304D	Before 5/93.
	1993-98	R250395	19.43"	F4HZ-3304A	After 5/93.
10000, 12000	1990-91	R250105	19.23"	F0HZ-3304A	

C500, C550, C600, CT600, C700, CT700, C7000, C750, CT750, C800, C8000, CT800, CT8000, C850, CT850, C900, CT900, C9000, CT9000, C950, CT950, C1000, C1100

King Pin Kits

Axle Rating Lbs.	Axle Code/Year	Part Number/ Bushing Type	King Pin Size	Type	OEM Reference	Notes
6000	1956-70	R200006 Bronze	1.234" x 7.500"	A	B7TZ-3111A	Before C70,001.
		R200023 Nylon				
	1968-70	R200143 Bronze	1.234" x 7.438"	B	B7TZ-3111F C2TZ-3111F	From C70,001-G90,001.
		R200155 Nylon				
	1970-79	R200016 Bronze	1.244" x 7.440"	B	C7TZ-3111A	.01 oversize. From C70,001-G90,001.
			1.231" x 8.910"			
R200028 Nylon		1.240" x 8.910"	C			
R200029 Bronze						
R200266 Bronze						
7000	1957-70	R200143 Bronze	1.234" x 7.438"	B	B7TZ-3111F C2TZ-3111F	Before G90,001.
		R200155 Nylon				
		R200016 Bronze				
	1970-89	R200028 Nylon	1.231" x 8.910"	C	C7TZ-3111A	w/Hydraulic brakes from G90,001 or w/Air brakes from G90,001 - W40,001.
		R200029 Bronze				
		R200266 Bronze				
	1975-90	R200044 Bronze	1.434" x 8.250"	B	D6TZ-3111A	w/Air brakes from W40,001.

FORD

C500, C550, C600, CT600, C700, CT700, C7000, C750, CT750, C800, C8000, CT800, CT8000, C850, CT850, C900, CT900, C9000, CT9000, C950, CT950, C1000, C1100 (Continued)

King Pin Kits (Continued)

Axle Rating Lbs.	Axle Code/Year	Part Number/ Bushing Type	King Pin Size	Type	OEM Reference	Notes
9000	1960-90	R200142 Bronze	1.434" x 8.500"	B	D1HZ-3111A	Contains dust cap and screws. w/Hydraulic brakes.
		R200154 Nylon	1.434" x 8.500"	B	C2TZ-3111G	w/Hydraulic brakes.
		R200184 Bronze	1.434" x 8.500"			
		R200021 Bronze	1.443" x 8.500"	B		.01 oversize. w/Hydraulic brakes.
	1970-81	R200028 Nylon	1.231" x 8.910"	C	C7TZ-3111A	w/Hydraulic brakes from 1973, 1970-72 all brakes.
		R200029 Bronze				
		R200266 Bronze	1.240" x 8.910"	C		.01 oversize. w/Hydraulic brakes from 1973, 1970-72 all brakes.
	1973-90	R200050 Bronze	1.607" x 9.080"	B	D6HZ-3111B	w/Air brakes from W40,001.
	1980-86	R200276 Easy Steer	1.794" x 10.070"	B	D6HZ-3111C	w/Air brakes.
	1987-89	R200044 Bronze	1.434" x 8.250"	B	D6TZ-3111A	
1990	R200050 Bronze	1.607" x 9.080"	B	D6HZ-3111B		
	R200276 Easy Steer	1.794" x 10.070"	B	D6HZ-3111C		
10000	1990	R200273 Bronze	1.794" x 10.070"	B	F0HZ-3111A	Aluminum axle.
11000	1964-78	R200156 Nylon	1.607" x 8.740"	B	C4TZ-3111A	Center point steering.
		R200157 Bronze			D0HZ-3111C	Center point steering. Contains dust cap and screws.
		R200188 Bronze			C4TZ-3111A	Center point steering.
12000	1960-79	R200167 Nylon	1.794" x 9.120"	B	D1HZ-3111B	w/Hydraulic brakes from 1973.
		R200172 Bronze				w/Hydraulic brakes from 1973. Contains dust cap and screws.
	1966-78	R200156 Nylon	1.607" x 8.740"	B	C4TZ-3111A	Center point steering.
		R200157 Bronze			D0HZ-3111C	Center point steering. Contains dust cap and screws.
		R200188 Bronze			C4TZ-3111A	Center point steering.
	1973-75	R200167 Nylon	1.794" x 9.120"	B	D1HZ-3111B	w/Air brakes from W40,001.
		R200172 Bronze				w/Air brakes from W40,001. Contains dust cap and screws.
	1975-79	R200050 Bronze	1.607" x 9.080"	B	D6HZ-3111B	w/Air brakes from W40,001.
	1975-90	R200051 Bronze	1.794" x 10.070"	B	D6HZ-3111A	Except aluminum axle. Bearing 3.26" OD x .94" thick.
		R200061 Bronze				Except aluminum axle. Bearing 3.15" OD x .64" thick.
	1980-89	R200050 Bronze	1.607" x 9.080"	B	D6HZ-3111B	
	1990	R200273 Bronze	1.794" x 10.070"	B	F0HZ-3111A	Aluminum axle.
15000	1962-79	R200146 Nylon	10.688"	D	C2TZ-3111E	Tapered pin.
		R200153 Bronze			D0HZ-3111D	
	1975-79	R200198 Bronze	1.999" x 11.212"	B	D5HZ-3111C	w/Air brakes from W40,001.
16000	1975-90	R201312 Easy Steer				
		R200198 Bronze	1.999" x 11.212"	B	D5HZ-3111C	
18000	1975-90	R201312 Easy Steer				
		R200198 Bronze	1.999" x 11.212"	B	D5HZ-3111C	w/Air brakes from W40,001.

C500, C550, C600, CT600, C700, CT700, C7000, C750, CT750, C800, C8000, CT800, CT8000, C850, CT850, C900, CT900, C9000, CT9000, C950, CT950, C1000, C1100 (Continued)

Tie Rod Ends

Axle Rating Lbs.	Axle Code/Year	Part Number/ Location	Stud Center to Rod End	OEM Reference	Notes	
5000	1961-66	R230003 Curbside	3.50"	C1TZ-3A130A	w/Manual steering.	
		R230002 Roadside		C1TZ-3A131A		
5500	1963-66	R230003 Curbside	3.50"	C1TZ-3A130A	w/Manual steering.	
		R230002 Roadside		C1TZ-3A131A		
	1967-79	R230019 Curbside	4.43"	C7TZ-3A130D		
		R230018 Roadside		C7TZ-3A131D		
6000	1968-70	R230063 Curbside	3.88"	C1TZ-3A130B	From C70,001-G90,001, C550 only.	
		R230062 Roadside		C1TZ-3A131B		
	1970-79	R230019 Curbside	4.43"	C7TZ-3A130D	From G90,001.	
		R230018 Roadside		C7TZ-3A131D		
7000	1953-70	R230063 Curbside	3.88"	C1TZ-3A130B	To G90,001.	
		R230062 Roadside		C1TZ-3A131B		
	1970-89	R230019 Curbside	4.43"	C7TZ-3A130D	w/Hydraulic brakes from G90,001.	
		R230018 Roadside		C7TZ-3A131D		
	1971-75	R230019 Curbside	4.43"	C7TZ-3A130D	w/Air brakes to W40,001.	
		R230018 Roadside		C7TZ-3A131D		
	1975-89	R230031 Curbside	6.07"	D5TZ-3A131A	w/Air brakes from W40,001.	
		R230030 Roadside		D5TZ-3A130A		
9000	1960-89	R230061 Curbside	4.875"	C8TZ-3A130A		
		R230060 Roadside		C1TZ-3A131C		
	1975-90	R230031 Curbside	6.07"	D5TZ-3A131A		
		R230030 Roadside		D5TZ-3A130A		
10000	1990	R230069 Curbside	5.44"	E3HZ-3A130A, E4HZ-3A130A	w/Aluminum axle.	
		R230068 Roadside		E3HZ-3A131A, E4HZ-3A131A		
11000	1990	R230069 Curbside	5.44"	E3HZ-3A130A, E4HZ-3A130A	w/Aluminum axle.	
		R230068 Roadside		E3HZ-3A131A, E4HZ-3A131A		
12000	1961-70	R230066 Curbside	5.75"	B8TZ-3A130B	Before G70,001.	
		R230067 Roadside		B8TZ-3A131B		
	1975-90	R230069 Curbside	5.44"	D0HZ-3A130A		
		R230068 Roadside		D0HZ-3A131A		
	1980-90	R230069 Curbside	5.44"	E3HZ-3A130A, E4HZ-3A130A	w/Aluminum axle	
		R230068 Roadside		E3HZ-3A131A, E4HZ-3A131A		
15000	1964-70	R230066 Curbside	5.75"	B8TZ-3A130B		
		R230067 Roadside		B8TZ-3A131B		
	1975-80	R230069 Curbside	5.44"	E3HZ-3A130A, E4HZ-3A130A		w/Air brakes from W40,001.
		R230068 Roadside		E3HZ-3A131A, E4HZ-3A131A		
16000	1975-89	R230069 Curbside	5.44"	D0HZ-3A130A	w/Air brakes from W40,001. 1980-81 all brakes.	
		R230068 Roadside		D0HZ-3A131A		
	1975-90	R230069 Curbside	5.44"	E3HZ-3A130A, E4HZ-3A130A		
		R230068 Roadside		E3HZ-3A131A, E4HZ-3A131A		
18000	1975-89	R230069 Curbside	5.44"	D0HZ-3A130A	From W40,001.	
		R230068 Roadside		D0HZ-3A131A		
	1975-90	R230069 Curbside	5.44"	E3HZ-3A130A, E4HZ-3A130A		
		R230068 Roadside		E3HZ-3A131A, E4HZ-3A131A		
	1998	R230418 Curbside	7.18"	F5HZ-3A131B		
		R230419 Roadside		F5HZ-3A130B		
20000	1998	R230418 Curbside	7.18"	F5HZ-3A131B		
		R230419 Roadside		F5HZ-3A130B		

FORD

C500, C550, C600, CT600, C700, CT700, C7000, C750, CT750, C800, C8000, CT800, CT8000, C850, CT850, C900, CT900, C9000, CT9000, C950, CT950, C1000, C1100 (Continued)

Drag Links

Axle Rating Lbs.	Axle Code/Year	Part Number	Stud Center to Stud Center	OEM Reference	Notes
6000	1973-75	R250316	19.48"	C1TT-3A158G	Rear connecting link and without integral power steering to W40,001.
	1980-87	R250033	19.25"	E0HZ-3304A	
7000	1973-76	R250316	19.48"	C1TT-3A158G	w/o Integral power steering and w/hydraulic brakes to W20,001, rear connecting link.
	1980-86	R250033	19.25"	E0HZ-3304A	
7500	1980-86	R250033	19.25"	E0HZ-3304A	
8000	1980-86	R250034	19.23"	E3HZ-3304B	
9000	1980-86	R250034	19.23"	E3HZ-3304B	

CF600, CF700

King Pin Kits

Axle Rating Lbs.	Axle Code/Year	Part Number/ Bushing Type	King Pin Size	Type	OEM Reference	Notes
9000	1986-89	R200050 Bronze	1.607" x 9.080"	B	D6HZ-3111B	
		R200276 Easy Steer	1.794" x 10.070"		D6HZ-3111C	
	1989-98	R200275 Bronze	1.607" x 9.080"		E9HZ-3111B	
11000	1987-89	R200051 Bronze	1.794" x 10.070"	B	D6HZ-3111A	Bearing 3.26" OD x .94" thick.
		R200061 Bronze				Bearing 3.15" OD x .64" thick.
12000	1986-90	R200051 Bronze	1.794" x 10.070"	B	D6HZ-3111A	Bearing 3.26" OD x .94" thick.
		R200061 Bronze				Bearing 3.15" OD x .64" thick.
	1989-91	R200273 Bronze	1.794" x 10.070"	B	E9HZ-3111A	w/Screw-in end caps.
13000	1990-98	R200273 Bronze	1.794" x 10.070"	B	E9HZ-3111A	w/Steel axle.

Tie Rod Ends

Axle Rating Lbs.	Axle Code/Year	Part Number/ Location	Stud Center to Rod End	OEM Reference	Notes
9000	1990-94	R230031 Curbside	6.07"	F0HZ-3A131E, E6HZ-3A130A	
		R230030 Roadside		F0HZ-3A131F, E6HZ-3A131A	
12000	1990-91	R230069 Curbside	5.44"	E4HZ-3A130A	w/Steel axle.
		R230068 Roadside		E4HZ-3A131A	
	1992-94	R230408 Curbside	6.00"	F1HZ-3A130A, F3HZ-3A130B	
R230409 Roadside		F1HZ-3A131A, F3HZ-3A131B			
13000	1990-91	R230069 Curbside	5.44"	E4HZ-3A1	w/Steel axle.
		R230068 Roadside		E4HZ-3A131A	
	1992-98	R230408 Curbside	6.00"	F1HZ-3A130A, F3HZ-3A130B	
		R230409 Roadside		F1HZ-3A131A, F3HZ-3A131B	

Drag Links

Axle Rating Lbs.	Axle Code/Year	Part Number	Stud Center to Stud Center	OEM Reference	Notes
9000	1991-94	R250349	37.13"	F1HZ-3304L	
12000	1991-94	R250349	37.13"	F1HZ-3304L	
13000	1991-94	R250349	37.13"	F1HZ-3304L	

FORD
CF800, CFT800

King Pin Kits

Axle Rating Lbs.	Axle Code/Year	Part Number/ Bushing Type	King Pin Size	Type	OEM Reference	Notes
9000	1986-88	R200276 Easy Steer	1.794" x 10.070"	B	D6HZ-3111C	
	1986-89	R200050 Bronze	1.607" x 9.080"	B	D6HZ-3111B	To 1/89
	1989-98	R200275 Bronze			E9HZ-3111B	From 1/89, with screw-in end caps.
11000	1987-89	R200051 Bronze	1.794" x 10.070"	B	D6HZ-3111A	Bearing 3.26" OD x .94" thick.
		R200061 Bronze				Bearing 3.15" OD x .64" thick.
12000	1986-89	R200051 Bronze	1.794" x 10.070"	B	D6HZ-3111A	Bearing 3.26" OD x .94" thick.
		R200061 Bronze				Bearing 3.15" OD x .64" thick.
	1989-91	R200273 Bronze			E9HZ-3111A	w/Screw-in end caps.
13000	1987-90	R200051 Bronze	1.794" x 10.070"	B	D6HZ-3111A	Bearing 3.26" OD x .94" thick.
		R200061 Bronze				Bearing 3.15" OD x .64" thick.
	1990-91	R200273 Bronze			E9HZ-3111A	w/Steel axle.

Tie Rod Ends

Axle Rating Lbs.	Axle Code/Year	Part Number/ Location	Stud Center to Rod End	OEM Reference	Notes
9000	1986-94	R230031 Curbside	6.07"	F0HZ-3A131B	
		R230030 Roadside		F0HZ-3A130B	
	1995-98	R230418 Curbside	7.18"	F5HZ-3A131B	
		R230419 Roadside		F5HZ-3A130B	
11000	1987-98	R230031 Curbside	6.07"	F0HZ-3A131B, E6HZ-3A130A	
		R230030 Roadside		F0HZ-3A130B, E6HZ-3A131A	
12000	1986-98	R230031 Curbside	6.07"	F0HZ-3A131B, E6HZ-3A130A	
		R230030 Roadside		F0HZ-3A130B, E6HZ-3A131A	
	1990-91	R230069 Curbside	5.44"	E4HZ-3A130A	
		R230068 Roadside		E4HZ-3A131A	
	1992-94	R230408 Curbside	6.00"	F1HZ-3A130A, F3HZ-3A130B	
		R230409 Roadside		F1HZ-3A131A, F3HZ-3A131B	
13000	1987-92	R230031 Curbside	6.07"	F0HZ-3A131B, E6HZ-3A130	
		R230030 Roadside		F0HZ-3A130B, E6HZ-3A131A	
	1990-91	R230069 Curbside	5.44"	E4HZ-3A130A	
		R230068 Roadside		E4HZ-3A131A	
	1992-98	R230408 Curbside	6.00"	F1HZ-3A130A, F3HZ-3A130B	
		R230409 Roadside		F1HZ-3A131A, F3HZ-3A131B	

Drag Links

Axle Rating Lbs.	Axle Code/Year	Part Number	Stud Center to Stud Center	OEM Reference	Notes
9000	1991-98	R250349	37.13"	F1HZ-3304L	
12000	1991-98	R250349	37.13"	F1HZ-3304L	
13000	1991-98	R250349	37.13"	F1HZ-3304L	

FORD

CL900, CLT900, CL9000, CLT9000

King Pin Kits

Axle Rating Lbs.	Axle Code/Year	Part Number/ Bushings Type	King Pin Size	Type	OEM Reference	Notes
11000	1987-89	R200051 Bronze	1.794" x 10.070"	B	D6HZ-3111A	Bearing 3.26" OD x .94" thick. w/Steel or aluminum axle.
12000	1978-86	R200051 Bronze	1.794" x 10.070"	B	D6HZ-3111A	Bearing 3.26" OD x .94" thick. w/Steel axle.
		R200061 Bronze			D8HZ-3111A	Bearing 3.15" OD x .64" thick. w/Aluminum axle.
	1987-88	R200051 Bronze			D6HZ-3111A	Bearing 3.26" OD x .94" thick. w/Steel or aluminum axle.
	1989-91	R200273 Bronze			E9HZ-3111A	w/Screw-in end caps and steel axle.
13000	1978-86	R200061 Bronze	1.794" x 10.070"	B	D8HZ-3111A	Bearing 3.15" OD x .64" thick. w/Aluminum axle.
	1978-88	R200051 Bronze			D6HZ-3111A	Bearing 3.26" OD x .94" thick. w/Steel axle.
	1987-89	R200061 Bronze				Bearing 3.15" OD x .64" thick. w/Aluminum axle.
	1989	R200273 Bronze			E9HZ-3111A	w/Screw-in end caps and steel axle.

Tie Rod Ends

Axle Rating Lbs.	Axle Code/Year	Part Number/ Location	Stud Center to Rod End	OEM Reference	Notes
11000	1987-89	R230069 Curbside	5.44"	E3HZ-3A130A	w/Steel and aluminum axles.
		R230068 Roadside		E3HZ-3A131A	
12000	1978-91	R230069 Curbside	5.44"	D0HZ-3A130A	w/Steel and aluminum axles.
		R230068 Roadside		D0HZ-3A131A	
13000	1980-86	R230069 Curbside	5.44"	D0HZ-3A130A	
		R230068 Roadside		D0HZ-3A131A	

E200 (3/4 Ton) 2WD

King Pin Kits

Axle Rating Lbs.	Axle Code/Year	Part Number/ Bushings Type	King Pin Size	Type	OEM Reference	Notes
	1972-74	R200041 Bronze	0.859" x 6.073"	A	D2UZ-3111A	

E300 (1 Ton) 2WD

King Pin Kits

Axle Rating Lbs.	Axle Code/Year	Part Number/ Bushings Type	King Pin Size	Type	OEM Reference	Notes
	1969-71	R200039 Bronze	1.054" x 6.450"	A	D2TZ-3111C	
	1972-74	R200038 Bronze			D2UZ-3111B	

F1000, F1100

King Pin Kits

Axle Rating Lbs.	Axle Code/Year	Part Number/ Bushings Type	King Pin Size	Type	OEM Reference	Notes
9000	1962-69	R200142 Bronze	1.434" x 8.500"	B	D1HZ-3111A	
		R200154 Nylon			C2TZ-3111G	
		R200021 Bronze				
11000	1964-65	R200156 Nylon	1.607" x 8.740"	B	C4TZ-3111A	Center point steering.
		R200157 Bronze			D0HZ-3111C	
12000	1962-69	R200167 Nylon	1.794" x 9.120"	B	D1HZ-3111B	
		R200172 Bronze				
	1966-69	R200156 Nylon	1.607" x 8.740"	B	C4TZ-3111A	
	R200157 Bronze	D0HZ-3111C				
15000	1962-69	R200146 Nylon	10.688"	D	C2TZ-3111E	Tapered pin.
		R200153 Bronze			D0HZ-3111D	

F1000, F1100 (Continued)

Tie Rod Ends

Axle Rating Lbs.	Axle Code/Year	Part Number/ Location	Stud Center to Rod End	OEM Reference	Notes
9000	1962-69	R230061 Curbside	4.875"	C8TZ-3A130A	
		R230060 Roadside		C1TZ-3A131C	
12000	1962-69	R230066 Curbside	5.75"	B8TZ-3A130B	
		R230067 Roadside		B8TZ-3A131B	
15000	1962-69	R230066 Curbside	5.75"	B8TZ-3A130B	
		R230067 Roadside		B8TZ-3A131B	

F600, F6000, FT600, FT6000, F700, F7000, FT700

King Pin Kits

Axle Rating Lbs.	Axle Code/Year	Part Number/ Bushing Type	King Pin Size	Type	OEM Reference	Notes
4700	1957-62	R200265 Bronze	1.129" x 7.670"	C	B7TZ-3111A	
5000	1961-79	R200018 Bronze	1.231" x 7.860"	C	C3TZ-3111A	
		R200019 Bronze	1.241" x 7.860"		.01 oversize.	
5500	1961-86	R200018 Bronze	1.231" x 7.860"	C	C3TZ-3111A	
		R200019 Bronze	1.241" x 7.860"		.01 oversize.	
6000	1957-66	R200006 Bronze	1.234" x 7.500"	A	B7TZ-3111A	To C70,001.
		R200023 Nylon			C2TZ-3111A	
6000	1967-88	R200028 Nylon	1.231" x 8.910"	C	C7TZ-3111A	
		R200029 Bronze				
	R200266 Bronze	1.240" x 8.910"	C	D3TZ-3111A	From C70,001.	
	1989-99	R200272 Bronze	1.299" x 7.748"	B	E8HZ-3111A	
7000	1960-70	R200143 Bronze	1.234" x 7.438"	B	B7TZ-3111F	To G90,001.
		R200155 Nylon			C2TZ-3111F	
		R200016 Bronze	1.244" x 7.440"		B	
	1967-75	R200028 Nylon	1.231" x 8.910"	C	C7TZ-3111A	w/Air brakes before W40,001.
		R200029 Bronze				
		R200266 Bronze	1.240" x 8.910"		C	
	1970-88	R200028 Nylon	1.231" x 8.910"	C	C7TZ-3111A	w/Hydraulic brakes from G90,001.
		R200029 Bronze				
R200266 Bronze	1.240" x 8.910"	C		.01 oversize. w/Hydraulic brakes from G90,001.		
1975-88	R200044 Bronze	1.434" x 8.250"	B	D6TZ-3111A	w/Air brakes from W40,001.	
1989-97	R200272 Bronze	1.299" x 7.748"		E8HZ-3111A	w/Hydraulic brakes.	
8000	1987-90	R200044 Bronze	1.434" x 8.250"	B	E7TZ-3111A	w/Air brakes.
	1989-99	R200280 Bronze	1.433" x 8.25"		E9HZ-3111C	w/Air brakes from 2/91.
9000	1975-90	R200044 Bronze	1.434" x 8.250"	B	D6TZ-3111A	w/Air brakes from W40,001; 1980-84 all brakes.
	1983	R200276 Easy Steer	1.794" x 10.070"		D6HZ-3111C	w/Air brakes.
	1983-90	R200050 Bronze	1.607" x 9.080"		D6HZ-3111B	Heavy duty w/air brakes.
	1989-99	R200280 Bronze	1.433" x 8.25"		E9HZ-3111C	w/Air brakes from 2/91.
10000	1987-90	R200051 Bronze	1.794" x 10.070"	B	D6HZ-3111A	Except aluminum axle.
	1990-99	R200273 Bronze			E9HZ-3111A	w/Steel axle.
12000	1982-88	R200051 Bronze	1.794" x 10.070"	B	D6HZ-3111A	
	1989-94	R200273 Bronze			E9HZ-3111A	w/Screw-in end caps.

FORD

F600, F6000, FT600, FT6000, F700, F7000, FT700 (Continued)

Tie Rod Ends

Axle Rating Lbs.	Axle Code/Year	Part Number/ Location	Stud Center to Rod End	OEM Reference	Notes
4700	1957-62	R230003 Curbside	3.50"	C1TZ-3A130A	
		R230002 Roadside		C1TZ-3A131A	
5000	1953-66	R230003 Curbside	3.50"	C1TZ-3A130A	w/Manual steering.
		R230002 Roadside		C1TZ-3A131A	
	1967-79	R230019 Curbside	4.43"	C7TZ-3A130D	
		R230018 Roadside		C7TZ-3A131D	
5500	1961-66	R230003 Curbside	3.50"	C1TZ-3A130A	w/Manual steering.
		R230002 Roadside		C1TZ-3A131A	
	1967-86	R230019 Curbside	4.43"	C7TZ-3A130D	
		R230018 Roadside		C7TZ-3A131D	
6000	1967-90	R230019 Curbside	4.43"	C7TZ-3A130D	
		R230018 Roadside		C7TZ-3A131D	
	1990	R230035 Curbside	4.93"	F0HZ-3A130C	Except low profile option.
		R230034 Roadside		F0HZ-3A131C	
	1990-93	R230118 Curbside	13.25"	F0HZ-3A131D	
		R230117 Roadside		F0HZ-3A130D	
	1990-94	R230031 Curbside	6.07"	F0HZ-3A131E	
		R230030 Roadside		F0HZ-3A131F	
	1995	R230418 Curbside	7.18"	F5HZ-3A131B	
		R230419 Roadside		F5HZ-3A130B	
7000	1961-66	R230063 Curbside	3.88"	C1TZ-3A130B	
		R230062 Roadside		C1TZ-3A131B	
	1967-90	R230019 Curbside	4.43"	C7TZ-3A130D	w/Hydraulic brakes; 1989-90 except low profile option.
		R230018 Roadside		C7TZ-3A131D	
	1973-75	R230019 Curbside	4.43"	C7TZ-3A130D	w/Air brakes to W40,001.
		R230018 Roadside		C7TZ-3A131D	
	1975-88	R230031 Curbside	6.07"	D5TZ-3A131A	w/Air brakes from W40,001.
		R230030 Roadside		D5TZ-3A130A	
	1990-94	R230031 Curbside	6.07"	F0HZ-3A131E	
		R230030 Roadside		F0HZ-3A131F	
	1990-97	R230118 Curbside	13.25"	F0HZ-3A131D	w/Hydraulic brakes and low profile option.
		R230117 Roadside		F0HZ-3A130D	
	1995	R230418 Curbside	7.18"	F5HZ-3A131B	
		R230419 Roadside		F5HZ-3A130B	
1995-99	R230408 Curbside	6.00"	F3HZ-3A130B		
	R230409 Roadside		F3HZ-3A131B		
8000	1987-98	R230031 Curbside	6.07"	D5TZ-3A131A	
		R230030 Roadside		D5TZ3A130A	
	1995-99	R230418 Curbside	7.18"	F5HZ-3A131B	
		R230419 Roadside		F5HZ-3A130B	
9000	1968-79	R230061 Curbside	4.875"	C8TZ-3A130A	w/Hydraulic brakes from 1973.
		R230060 Roadside		C1TZ-3A131C	w/Hydraulic brakes from 1973. w/Manual steering only.
	1973-75	R230061 Curbside	4.875"	C8TZ-3A130A	w/Air brakes to W40,001.
		R230060 Roadside		C1TZ-3A131C	w/Air brakes to W40,001. w/Manual steering only.
	1975-94	R230031 Curbside	6.07"	D5TZ-3A131A	
		R230030 Roadside		D5TZ-3A130A	
	1995-99	R230418 Curbside	7.18"	F5HZ-3A131B	
		R230419 Roadside		F5HZ-3A130B	
10000	1987-98	R230069 Curbside	5.44"	E3HZ-3A130A, E4HZ-3A130A	
		R230068 Roadside		E3HZ-3A131A, E4HZ-3A131A	
	1992-98	R230408 Curbside	6.00"	F1HZ-3A130A, F3HZ-3A130B	
		R230409 Roadside		F1HZ-3A131A, F3HZ-3A131B	

F600, F6000, FT600, FT6000, F700, F7000, FT700 (Continued)

Tie Rod Ends (Continued)

Axle Rating Lbs.	Axle Code/Year	Part Number/ Location	Stud Center to Rod End	OEM Reference	Notes
12000	1982-98	R230069 Curbside	5.44"	E3HZ-3A130A, E4HZ-3A130A	
		R230068 Roadside		E3HZ-3A131A, E4HZ-3A131A	
	1992-98	R230408 Curbside	6.00"	F1HZ-3A130A, F3HZ-3A130B	
		R230409 Roadside		F1HZ-3A131A, F3HZ-3A131B	
	1995-99	R230145 Curbside	7.75"	F5HZ-3A130AA	
		R230146 Roadside		F5HZ-3A131AA	
14600	1995-98	R230408 Curbside	6.00"	F3HZ-3A130B	
		R230409 Roadside		F3HZ-3A131B	

Drag Links

Axle Rating Lbs.	Axle Code/Year	Part Number	Stud Center to Stud Center	OEM Reference	Notes
5000	1967-79	R250012	16.64"	C7TZ-3304A	
5500	1967-79	R250012	16.64"	C7TZ-3304A	
	1980-86	R250033	19.25"	E0HZ-3304A	
6000	1967-68	R250012	16.64"	C7TZ-3304A	w/Power steering.
	1967-79	R250012	16.64"	C7TZ-3304A	w/Manual steering.
	1973-79	R250012	16.64"	C7TZ-3304A	
	1980-88	R250033	19.25"	E0HZ-3304A	
	1989-92	R250095	20.66"	E8HZ-3304B, F0HZ-3304G	
	1995-98	R250392	21.23"	F5HZ-3304A	
7000	1967-68	R250012	16.64"	C7TZ-3304A	w/Power steering.
	1967-79	R250012	16.64"	C7TZ-3304A	w/Manual steering to W20,001.
	1980-90	R250033	19.25"	E0HZ-3304A	
	1989-92	R250095	20.66"	E8HZ-3304B, F0HZ-3304G	w/Hydraulic brakes.
	1995-98	R250392	21.23"	F5HZ-3304A	
8000	1984-87	R250034	19.23"	E3HZ-3304B	w/Air brakes.
	1988-92	R250095	20.66"	E8HZ-3304B	
	1992-93	R250362	19.47"	F2HZ-3304D	Before 5/93
	1993-98	R250395	19.43"	F4HZ-3304A	After 5/93.
9000	1980-87	R250034	19.23"	E0HZ-3304B	
	1992-93	R250362	19.47"	F2HZ-3304D	Before 5/93.
	1993-98	R250395	19.43"	F4HZ-3304A	After 5/93.
10000	1987-91	R250105	19.23"	E3HZ-3304A, F0HZ-3304A	
12000	1982-91	R250105	19.23"	E3HZ-3304A, F0HZ-3304A	

F750

King Pin Kits

Axle Rating Lbs.	Axle Code/Year	Part Number/ Bushing Type	King Pin Size	Type	OEM Reference	Notes
7000	1960-70	R200143 Bronze	1.234" x 7.438"	B	B7TZ-3111F	Before G90,001.
		R200155 Nylon			C2TZ-3111F	
		R200016 Bronze			1.244" x 7.440"	
	1970-77	R200028 Nylon	1.231" x 8.910"	C	C7TZ-3111A	w/Hydraulic brakes from G90,001.
		R200029 Bronze				
		R200266 Bronze				
	1973-88	R200028 Nylon	1.231" x 8.910"	C	C7TZ-3111A	w/Air brakes before W40,001.
		R200029 Bronze				
R200266 Bronze		1.240" x 8.910"				
9000	1973-75	R200142 Bronze	1.434" x 8.500"	B	D1HZ-3111A	w/Air brakes before W40,001.
		R200154 Nylon			C2TZ-3111G	
	R200021 Bronze	1.443" x 8.500"	B	.01 oversize. w/Air brakes before W40,001.		
	1975-88	R200044 Bronze	1.434" x 8.250"	B	D6TZ-3111A	w/Air brakes from W40,001.
	1989-99	R200280 Bronze	1.433" x 8.25"	B	E9HZ-3111C	w/Air brakes from 2/91.

FORD

F750 (Continued)

Tie Rod Ends

Axle Rating Lbs.	Axle Code/Year	Part Number/ Location	Stud Center to Rod End	OEM Reference	Notes	
7000	1961-66	R230063 Curbside	3.88"	C1TZ-3A130B		
		R230062 Roadside		C1TZ-3A131B		
	1967-88	R230019 Curbside	4.43"	C7TZ-3A130D		w/Hydraulic brakes.
		R230018 Roadside		C7TZ-3A131D		
1973-75	R230019 Curbside	4.43"	C7TZ-3A130D	w/Air brakes before W40,001.		
	R230018 Roadside		C7TZ-3A131D			
9000	1973-75	R230061 Curbside	4.875"	C8TZ-3A130A	w/Air brakes before W40,001.	
		R230060 Roadside		C1TZ-3A131C	w/Air brakes before W40,001. w/Manual steering only.	
	1975-77	R230031 Curbside	6.07"	D5TZ-3A131A	w/Air brakes from W40,001.	
		R230030 Roadside		D5TZ-3A130A		

Drag Links

Axle Rating Lbs.	Axle Code/Year	Part Number	Stud Center to Stud Center	OEM Reference	Notes
7000	1967-68	R250012	16.64"	C7TZ-3304A	w/Power steering.
	1967-79	R250012			w/Manual steering before W20,001.

F800, FT800, F880, F8000

King Pin Kits

Axle Rating Lbs.	Axle Code/Year	Part Number/ Bushing Type	King Pin Size	Type	OEM Reference	Notes	
5500	1980-83	R200018 Bronze	1.231" x 7.860"	C	C3TZ-3111A		
		R200019 Bronze	1.241" x 7.860"				
6000	1984-90	R200028 Nylon	1.231" x 8.910"	C	C7TZ-3111A		
		R200029 Bronze					
		R200266 Bronze					1.240" x 8.910"
	1989-99	R200272 Bronze	1.299" x 7.748"	B	E8HZ-3111A		
7000	1960-70	R200143 Bronze	1.234" x 7.438"	B	B7TZ-3111F	Before G90,001.	
		R200155 Nylon			C2TZ-3111F		
		R200016 Bronze			1.244" x 7.440"	B	
	1970-88	R200028 Nylon	1.231" x 8.910"	C	C7TZ-3111A		w/Hydraulic brakes from G90,001.
		R200029 Bronze					
		R200266 Bronze					
	1973-75	R200028 Nylon	1.231" x 8.910"	C	C7TZ-3111A		w/Air brakes before W40,001.
		R200029 Bronze					
		R200266 Bronze					
	1980-88	R200044 Bronze	1.434" x 8.250"	B	D6TZ-3111A	w/Air brakes.	
1989-97	R200272 Bronze	1.299" x 7.748"	B	E8HZ-3111A			
9000	1973-75	R200142 Bronze	1.434" x 8.500"	B	D1HZ-3111A	w/Air brakes before W40,001.	
		R200154 Nylon			C2TZ-3111G		
		R200021 Bronze			1.443" x 8.500"	B	
	1975-90	R200044 Bronze	1.434" x 8.250"	B	D6TZ-3111A	w/Air brakes from W40,001; 1980-83 all brakes.	
	1983	R200050 Bronze	1.607" x 9.080"	B	D6HZ-3111B	Heavy duty w/air brakes.	
		R200276 Easy Steer	1.794" x 10.070"	B	D6HZ-3111C		
1989-99	R200280 Bronze	1.433" x 8.25"	B	E9HZ-3111C	w/Air brakes from 2/91.		
10000	1987-90	R200051 Bronze	1.794" x 10.070"	B	D6HZ-3111A	Except aluminum axle.	
	1990-94	R200273 Bronze			E9HZ-3111A	w/Steel axle.	
12000	1983-88	R200051 Bronze	1.794" x 10.070"	B	D6HZ-3111A		
	1989-94	R200273 Bronze			E9HZ-3111A		

Tie Rod Ends

Axle Rating Lbs.	Axle Code/Year	Part Number/ Location	Stud Center to Rod End	OEM Reference	Notes
5500	1980-83	R230019 Curbside	4.43"	C7TZ-3A130D	
		R230018 Roadside		C7TZ-3A131D	
6000	1984-90	R230019 Curbside	4.43"	C7TZ-3A130D	
		R230018 Roadside		C7TZ-3A131D	
	1990	R230035 Curbside	4.93"	F0HZ-3A130C	Except low profile option.
		R230034 Roadside		F0HZ-3A131C	
	1990-94	R230031 Curbside	6.07"	F0HZ-3A131E	
		R230030 Roadside		F0HZ-3A131F	
	1990-98	R230118 Curbside	13.25"	F0HZ-3A131D	w/Hydraulic brakes and low profile option.
		R230117 Roadside		F0HZ-3A130D	
	1995	R230418 Curbside	7.18"	F5HZ-3A131B	
		R230419 Roadside		F5HZ-3A130B	
1995-99	R230408 Curbside	6.00"	F3HZ-3A130B		
	R230409 Roadside		F3HZ-3A131B		
7000	1961-66	R230063 Curbside	3.88"	C1TZ-3A130B	
		R230062 Roadside		C1TZ-3A131B	
	1967-90	R230019 Curbside	4.43"	C7TZ-3A130D	w/Hydraulic brakes except low profile option.
		R230018 Roadside		C7TZ-3A131D	
	1973-75	R230019 Curbside	4.43"	C7TZ-3A130D	w/Air brakes before W40,001.
		R230018 Roadside		C7TZ-3A131D	
	1980-88	R230031 Curbside	6.07"	D5TZ-3A131A	w/Air brakes.
		R230030 Roadside		D5TZ-3A130A	
	1990-94	R230031 Curbside	6.07"	F0HZ-3A131E	
		R230030 Roadside		F0HZ-3A131F	
	1990-98	R230118 Curbside	13.25"	F0HZ-3A131D	w/Hydraulic brakes and low profile option.
		R230117 Roadside		F0HZ-3A130D	
	1995	R230418 Curbside	7.18"	F5HZ-3A131B	
		R230419 Roadside		F5HZ-3A130B	
1995-99	R230408 Curbside	6.00"	F3HZ-3A130B		
	R230409 Roadside		F3HZ-3A131B		
8000	1987-98	R230031 Curbside	6.07"	D5TZ-3A131A	
		R230030 Roadside		D5TZ-3A130A	
	1995-99	R230418 Curbside	7.18"	F5HZ-3A131B	
		R230419 Roadside		F5HZ-3A130B	
9000	1973-75	R230061 Curbside	4.875"	C8TZ-3A130A	w/Air brakes before W40,001.
		R230060 Roadside		C1TZ-3A131C	
	1975-94	R230031 Curbside	6.07"	D5TZ-3A130A	w/Air brakes from W40,001; 1980-83 all brakes.
		R230030 Roadside		D5TZ-3A131A	
	1995-98	R230418 Curbside	7.18"	F5HZ-3A131B	
R230419 Roadside		F5HZ-3A130B			
10000	1987-98	R230069 Curbside	5.44"	E3HZ-3A130A, E4HZ-3A130A	
		R230068 Roadside		E3HZ-3A131A, E4HZ-3A131A	
	1992-98	R230408 Curbside	6.00"	F1HZ-3A130A, F3HZ-3A130B	
		R230409 Roadside		F1HZ-3A131A, F3HZ-3A131B	
12000	1983-98	R230069 Curbside	5.44"	D0HZ-3A130A, E3HZ-3A130A, E4HZ-3A130A	w/Air brakes.
		R230068 Roadside		D0HZ-3A131A, E3HZ-3A131A, E4HZ-3A131A	
	1992-94	R230408 Curbside	6.00"	F1HZ-3A130A, F3HZ-3A130B	
		R230409 Roadside		F1HZ-3A131A, F3HZ-3A131B	
	1995-99	R230145 Curbside	7.75"	F5HZ-3A130AA	
		R230146 Roadside		F5HZ-3A131AA	
14600	1995-98	R230408 Curbside	6.00"	F3HZ-3A130B	
		R230409 Roadside		F3HZ-3A131B	

FORD

F800, FT800, F880, F8000 (Continued)

Drag Links

Axle Rating Lbs.	Axle Code/Year	Part Number	Stud Center to Stud Center	OEM Reference	Notes
5500	1980-83	R250033	19.25"	E0HZ-3304A	
6000	1984-88	R250033	19.25"	E0HZ-3304A	
	1989-92	R250095	20.66"	E8HZ-3304B, F0HZ-3304G	
7000	1995-98	R250392	21.23"	F5HZ-3304A	Except low profile.
	1967-68	R250012	16.64"	C7TZ-3304A	w/Power steering.
	1967-75	R250012	16.64"	C7TZ-3304A	w/Manual steering before W20,001.
	1976-88	R250033	19.25"	E0HZ-3304A	
	1989-92	R250095	20.66"	E8HZ-3304B	
8000	1995-98	R250392	21.23"	F5HZ-3304A	Except low profile.
	1992-93	R250362	19.47"	F2HZ-3304D	Before 5/93.
9000	1993-98	R250395	19.43"	F4HZ-3304A	After 5/93.
	1980-87	R250034	19.23"	E0HZ-3304B, E3HZ-3304D	
10000, 12000	1992-93	R250362	19.47"	F2HZ-3304D	Before 5/93.
	1993-98	R250395	19.43"	F4HZ-3304A	After 5/93.
	1982-91	R250105	19.23"	E3HZ-3304A, F0HZ-3304A	

F850, F950

King Pin Kits

Axle Rating Lbs.	Axle Code/Year	Part Number/ Bushing Type	King Pin Size	Type	OEM Reference	Notes
7000	1961-69	R200143 Bronze	1.234" x 7.438"	B	B7TZ-3111F	
		R200155 Nylon			C2TZ-3111F	
		R200016 Bronze	1.244" x 7.440"	B		
9000	1961-69	R200142 Bronze	1.434" x 8.500"	B	D1HZ-3111A	
		R200154 Nylon			C2TZ-3111G	
		R200021 Bronze	1.443" x 8.500"	B		
11000	1962-69	R200156 Nylon	1.607" x 8.740"	B	C4TZ-3111A	Center point steering.
		R200157 Bronze			D0HZ-3111C	
12000	1961-69	R200167 Nylon	1.794" x 9.120"	B	D1HZ-3111B	
		R200172 Bronze				
	1966-69	R200156 Nylon	1.607" x 8.740"	B	C4TZ-3111C	
		R200157 Bronze			D0HZ-3111C	

Tie Rod Ends

Axle Rating Lbs.	Axle Code/Year	Part Number/ Location	Stud Center to Rod End	OEM Reference	Notes
7000	1961-69	R230063 Curbside	3.88"	C1TZ-3A130B	
		R230062 Roadside		C1TZ-3A131B	
9000	1961-69	R230061 Curbside	4.875"	C8TZ-3A130A	
		R230060 Roadside		C1TZ-3A131C	
12000	1961-69	R230066 Curbside	5.75"	B8TZ-3A130B	
		R230067 Roadside		B8TZ-3A131B	

King Pin Kits

Axle Rating Lbs.	Axle Code/Year	Part Number/ Bushing Type	King Pin Size	Type	OEM Reference	Notes
5500	1980-83	R201315 Easy Steer	1.794" x 10.392"	B	C3TZ-3111A	
6000	1984-90	R200028 Nylon	1.231" x 8.910"	C	C7TZ-3111A	
		R200029 Bronze				
		R200266 Bronze	1.240" x 8.910"	C		
7000	1995-99	R200272 Bronze	1.299" x 7.748"	B	F1HZ-3111A	
	1980-88	R200028 Nylon	1.231" x 8.910"	C	D7TZ-3111A	w/Hydraulic brakes.
		R200029 Bronze				
		R200266 Bronze	1.240" x 8.910"	C		
	R200044 Bronze	1.434" x 8.250"	B	D6TZ-3111A	w/Air brakes.	
	1989-94	R200272 Bronze	1.299" x 7.748"	B	E8HZ-3111A	w/Hydraulic brakes.
1995-97	R200272 Bronze	1.299" x 7.748"	B	F1HZ-3111A		
8000	1987-92	R200044 Bronze	1.434" x 8.250"	B	D6TZ-3111A	w/Air brakes.
	1989-99	R200280 Bronze	1.433" x 8.25"	B	E9HZ-3111C	w/Air brakes from 2/91.
9000	1980-92	R200044 Bronze	1.434" x 8.250"	B	D6TZ-3111A	
	1983	R200050 Bronze	1.607" x 9.080"	B	D6HZ-3111B	Heavy duty w/air brakes.
		R200276 Easy Steer	1.794" x 10.070"		D6HZ-3111C	
	1989-99	R200280 Bronze	1.433" x 8.25"	B	E9HZ-3111C	w/Air brakes from 2/91.
10000	1987-90	R200051 Bronze	1.794" x 10.070"	B	D6HZ-3111A	Exc. alum. axle. Brg. 3.26" OD x .94" thick.
		R200061 Bronze				Exc. alum. axle. Brg. 3.15" OD x .64" thick.
	1990-99	R200273 Bronze	1.794" x 10.070"	B	E9HZ-3111A	w/Steel axle.
12000	1982-88	R200051 Bronze	1.794" x 10.070"	B	D6HZ-3111A	Bearing 3.26" OD x .94" thick.
		R200061 Bronze				Bearing 3.15" OD x .64" thick.
	1989-94	R200273 Bronze	1.794" x 10.070"	B	E9HZ-3111A	Screw-in end caps w/steel axle.

Tie Rod Ends

Axle Rating Lbs.	Axle Code/Year	Part Number/ Location	Stud Center to Rod End	OEM Reference	Notes
5500	1980-83	R230019 Curbside	4.43"	C7TZ-3A130D	
		R230018 Roadside		C7TZ-3A131D	
6000	1984-90	R230019 Curbside	4.43"	C7TZ-3A130D	
		R230018 Roadside		C7TZ-3A131D	
	1990	R230035 Curbside	4.93"	F0HZ-3A130C	Except low profile option.
		R230034 Roadside		F0HZ-3A131C	
		R230118 Curbside	13.25"	F0HZ-3A131D	
	R230117 Roadside		F0HZ-3A130D		
	1990-94	R230031 Curbside	6.07"	F0HZ-3A131E	
		R230030 Roadside		F0HZ-3A131F	
1995-99	R230418 Curbside	7.18"	F5HZ-3A131B		
	R230419 Roadside		F5HZ-3A130B		
7000	1980-88	R230031 Curbside	6.07"	D5TZ-3A131A	w/Air brakes.
		R230030 Roadside		D5TZ-3A130A	
	1980-90	R230019 Curbside	4.43"	C7TZ-3A130A	w/Hydraulic brakes except low profile option.
		R230018 Roadside		C7TZ-3A131A	
	1990-93	R230118 Curbside	13.25"	F0HZ-3A131D	w/Hydraulic brakes and low profile option.
		R230117 Roadside		F0HZ-3A130D	
	1990-94	R230031 Curbside	6.07"	F0HZ-3A131E	
		R230030 Roadside		F0HZ-3A131F	
	1995-99	R230418 Curbside	7.18"	F5HZ-3A131B	
		R230419 Roadside		F5HZ-3A130B	
8000	1987-89	R230031 Curbside	6.07"	D5TZ-3A131A	
		R230030 Roadside		D5TZ-3A130A	
	1990-98	R230031 Curbside	6.07"	F0HZ-3A131B	
		R230030 Roadside		F0HZ-3A130B	
	1995-99	R230418 Curbside	7.18"	F5HZ-3A131B	
		R230419 Roadside		F5HZ-3A130B	
9000	1980-94	R230031 Curbside	6.07"	D5TZ-3A131A	
		R230030 Roadside		D5TZ-3A130A	
	1995-98	R230418 Curbside	7.18"	F5HZ-3A131B	
		R230419 Roadside		F5HZ-3A130B	

FORD

F900, F9000, FT900, FT9000 (Continued)

Tie Rod Ends (Continued)

Axle Rating Lbs.	Axle Code/Year	Part Number/ Location	Stud Center to Rod End	OEM Reference	Notes
10000	1987-91	R230069 Curbside	5.44"	E3HZ-3A130A, E4HZ-3A130A	
		R230068 Roadside		E3HZ-3A131A, E4HZ-3A131A	
	1992-94	R230409 Roadside	6.00"	F1HZ-3A131A, F3HZ-3A131B	
	1992-98	R230408 Curbside	F1HZ-3A130A, F3HZ-3A130B		
12000	1982-91	R230069 Curbside	5.44"	E3HZ-3A130A, E4HZ-3A130A	
		R230068 Roadside		E3HZ-3A131A, E4HZ-3A131A	
	1992-94	R230408 Curbside	6.00"	F1HZ-3A130A, F3HZ-3A130B	
		R230409 Roadside		F1HZ-3A131A, F3HZ-3A131B	
	1995-99	R230145 Curbside R230146 Roadside	7.75"	F5HZ-3A130AA F5HZ-3A131AA	
14600	1995-98	R230408 Curbside	6.00"	F3HZ-3A130B	
		R230409 Roadside		F3HZ-3A131B	

Drag Links

Axle Rating Lbs.	Axle Code/Year	Part Number	Stud Center to Stud Center	OEM Reference	Notes
5500	1980-83	R250033	19.25"	E0HZ-3304A	
6000	1984-88	R250033	19.25"	E0HZ-3304A	
	1989-91	R250095	20.66"	E8HZ-3304B, F0HZ-3304G	
	1995-98	R250392	21.23"	F5HZ-3304A	
7000	1980-88	R250033	19.25"	E0HZ-3304A	w/Hydraulic brakes.
	1989-91	R250095	20.66"	E8HZ-3304B	
	1995-98	R250392	21.23"	F5HZ-3304A	
8000	1992-93	R250362	19.47"	F2HZ-3304D	Before 5/93.
	1993-98	R250395	19.43"	F4HZ-3304A	After 5/93.
9000	1980-87	R250034	19.23"	E0HZ-3304B, E3HZ-3304B	
		1992-93	R250362	19.47"	
	1993-98	R250395	19.43"	F4HZ-3304A	
10000, 12000	1987-91	R250105	19.23"	E3HZ-3304A, F0HZ-3304A	

HT950, H1000

King Pin Kits

Axle Rating Lbs.	Axle Code/Year	Part Number/ Bushing Type	King Pin Size	Type	OEM Reference	Notes
9000	1964-66	R200142 Bronze	1.434" x 8.500"	B	D1HZ-3111A	
		R200154 Nylon			C2TZ-3111G	
		R200021 Bronze			.01 oversize.	
11000	1964-65	R200156 Nylon	1.607" x 8.740"	B	C4TZ-3111A	Center point steering.
		R200157 Bronze			D0HZ-3111C	
12000	1964-66	R200167 Nylon	1.794" x 9.120"	B	D1HZ-3111B	
		R200172 Bronze				
	1966	R200156 Nylon R200157 Bronze	1.607" x 8.740"	B	C4TZ-3111A D0HZ-3111C	
15000	1964-66	R200146 Nylon	10.688"	D	C2TZ-3111E	Tapered pin.
		R200153 Bronze			D0HZ-3111D	

Tie Rod Ends

Axle Rating Lbs.	Axle Code/Year	Part Number/ Location	Stud Center to Rod End	OEM Reference	Notes
9000	1964-66	R230061 Curbside	4.875"	C8TZ-3A130A	
		R230060 Roadside		C1TZ-3A131C	
12000	1964-66	R230066 Curbside	5.75"	B8TZ-3A130B	
		R230067 Roadside		B8TZ-3A131B	
15000	1964-66	R230066 Curbside	5.75"	B8TZ-3A130B	
		R230067 Roadside		B8TZ-3A131B	

L800, L8000 (Includes LN, LNT, LS, LT, LTL and LTS)

King Pin Kits

Axle Rating Lbs.	Axle Code/Year	Part Number/ Bushing Type	King Pin Size	Type	OEM Reference	Notes	
6000	1967-89	R200028 Nylon	1.231" x 8.910"	C	C7TZ-3111A		
		R200029 Bronze					
		R200266 Bronze					1.240" x 8.910"
7000	1963-73	R200028 Nylon	1.231" x 8.910"	C	C7TZ-3111A		
		R200029 Bronze					
		R200266 Bronze					1.240" x 8.910"
	1967-88	R200028 Nylon	1.231" x 8.910"	C	C7TZ-3111A		1980-86 w/hydraulic brakes.
		R200029 Bronze					
		R200266 Bronze					
	1973-75	R200028 Nylon	1.231" x 8.910"	C	C7TZ-3111A		w/Air brakes before W40,001.
		R200029 Bronze					
		R200266 Bronze					
	1975-98	R200044 Bronze	1.434" x 8.250"	B	D6TZ-3111A		w/Air brakes from W40,001
1987-88	R200044 Bronze					w/Hydraulic brakes.	
1989-98	R200272 Bronze	1.299" x 7.748"	B	E8HZ-3111A, F1HZ-3111A			
9000	1962-86	R200142 Bronze	1.434" x 8.500"	B	D1HZ-3111A	w/Air brakes before W40,001. Contains dust cap and screws.	
		R200154 Nylon			C2TZ-3111G	w/Air brakes before W40,001.	
		R200184 Bronze					
		R200021 Bronze			1.443" x 8.500"	B	
	1975-86	R200050 Bronze	1.607" x 9.080"	B	D6HZ-3111B	w/Air brakes from W40,001.	
	1980-86	R200276 Easy Steer	1.794" x 10.070"	B	D6HZ-3111C	w/Air brakes.	
	1987-88	R200044 Bronze	1.434" x 8.250"	B	D6TZ-3111A		
	1989-98	R200275 Bronze	1.607" x 9.080"	B	E9HZ-3111B	w/Screw-in end caps.	
1990-98	R200050 Bronze			D6HZ-3111B	w/Steel axle.		
10000	1987-91	R200051 Bronze	1.794" x 10.070"	B	D6HZ-3111A	w/Steel axle. Bearing 3.26" OD x .94" thick.	
		R200061 Bronze				w/Steel axle. Bearing 3.15" OD x .64" thick.	
	1990-97	R200273 Bronze			E9HZ-3111A	w/Steel axle.	
11000	1987-89	R200051 Bronze	1.794" x 10.070"	B	D6HZ-3111A	w/Air brakes. Bearing 3.26" OD x .94" thick.	
		R200061 Bronze				w/Air brakes. Bearing 3.15" OD x .64" thick.	
12000	1970-86	R200167 Nylon	1.794" x 9.120"	B	D1HZ-3111B	w/Hydraulic brakes from 1973, 1970-72 all brakes.	
		R200172 Bronze				w/Hydraulic brakes from 1973, 1970-72 all brakes. Contains dust cap and screws.	
	1973-75	R200167 Nylon	1.794" x 9.120"	B	D1HZ-3111B		w/Air brakes before W40,001.
		R200172 Bronze					w/Air brakes before W40,001. Contains dust cap and screws.
	1975-89	R200051 Bronze	1.794" x 10.070"	B	D6HZ-3111A		w/Air brakes from W40,001.
		R200061 Bronze					Bearing 3.26" OD x .94" thick.
	1989-98	R200273 Bronze			E9HZ-3111A	w/Steel axle & screw-in end caps.	
	16000	1970-75	R200168 Nylon	1.999" x 11.040"	B	D0HZ-3111E	
R200170 Bronze							
R200189 Bronze							
R200191 Bronze							
1975-98		R200198 Bronze	1.999" x 11.212"	B	D5HZ-3111C		
18000	1980-98	R200198 Bronze	1.999" x 11.212"	B	D5HZ-3111C		
		R201312 Easy Steer					
20000	1980-98	R200198 Bronze	1.999" x 11.212"	B	D5HZ-3111C		
		R201312 Easy Steer					

FORD

L800, L8000 (Includes LN, LNT, LS, LT, LTL and LTS) (Continued)

Tie Rod Ends

Axle Rating Lbs.	Axle Code/Year	Part Number/ Location	Stud Center to Rod End	OEM Reference	Notes
6000	1967-89	R230019 Curbside	4.43"	C7TZ-3A130D	
		R230018 Roadside		C7TZ-3A131D	
7000	1967-73	R230019 Curbside	4.43"	C7TZ-3A130D	
		R230018 Roadside		C7TZ-3A131A	
	1973-75	R230019 Curbside	4.43"	C7TZ-3A130D	w/Air brakes to W40,001.
		R230018 Roadside		C7TZ-3A131A	
	1973-79	R230019 Curbside	4.43"	C7TZ-3A130D	w/Hydraulic brakes.
		R230018 Roadside		C7TZ-3A131A	
	1975-79	R230031 Curbside	6.07"	D5TZ-3A131A	w/Air brakes from W40,001.
		R230030 Roadside		D5TZ-3A130A	
	1980-89	R230031 Curbside	6.07"	D5TZ-3A131A	1987-88 w/hydraulic brakes. 1980-88 w/air brakes.
		R230030 Roadside		D5TZ-3A130A	
1980-90	R230019 Curbside	4.43"	C7TZ-3A130A	1989-90, 1980-86 all w/hydraulic brakes.	
	R230018 Roadside		C7TZ-3A131A		
1990-94	R230031 Curbside	6.07"	F0HZ-3A131B		
	R230030 Roadside		F0HZ-3A130B		
1995-97	R230418 Curbside	7.18"	F5HZ-3A131B		
	R230419 Roadside		F5HZ-3A130B		
9000	1962-69	R230061 Curbside	4.875"	C8TZ-3A130A	
		R230060 Roadside		C1TZ-3A131C	
	1970-72	R230019 Curbside	4.43"	C7TZ-3A130A	
		R230018 Roadside		C7TZ-3A130D	
	1973-75	R230019 Curbside	4.43"	C7TZ-3A131D	w/air brakes to W40,001
		R230018 Roadside		C7TZ-3A130D	
	1973-86	R230069 Curbside	5.44"	D0HZ-3A130A	w/Hydraulic brakes.
		R230068 Roadside		D0HZ-3A131A	
1975-89	R230031 Curbside	6.07"	D5TZ-3A131A	1975-86 w/air brakes from W40,001. 1987-89 all.	
	R230030 Roadside		D5TZ-3A130A		
1990-97	R230031 Curbside	6.07"	D5TZ-3A131A	w/Steel axle.	
	R230030 Roadside		D5TZ-3A130A		
10000	1987-91	R230069 Curbside	5.44"	E3HZ-3A130A, E4HZ-3A130A	
		R230068 Roadside		E3HZ-3A131A, E4HZ-3A131A	
	1992-98	R230408 Curbside	6.00"	F1HZ-3A130A, F3HZ-3A130B	
		R230409 Roadside		F1HZ-3A131A, F3HZ-3A131B	
11000	1987-89	R230069 Curbside	5.44"	E3HZ-3A130A, E4HZ-3A130A	w/Air brakes.
		R230068 Roadside		E3HZ-3A131A, E4HZ-3A131A	
12000	1970-91	R230068 Roadside	5.44"	D0HZ-3A131A	w/Air brakes to 1984.
		R230069 Curbside		D0HZ-3A130A	
	1992-98	R230408 Curbside	6.00"	F1HZ-3A130A, F3HZ-3A130B	w/Hydraulic brakes to 1983.
		R230409 Roadside		F1HZ-3A131A, F3HZ-3A131B	
16000	1970-75	R230070 Curbside	5.75"	D0HZ-3A130B	
		R230071 Roadside		D0HZ-3A131B	
	1975-90	R230069 Curbside	5.44"	E3HZ-3A130A, E4HZ-3A130A	
		R230068 Roadside		E3HZ-3A131A, E4HZ-3A131A	
	1991-98	R230408 Curbside	6.00"	F1HZ-3A130A, F3HZ-3A130B	
		R230409 Roadside		F1HZ-3A131A, F3HZ-3A131B	

L800, L8000 (Includes LN, LNT, LS, LT, LTL and LTS) (Continued)

Tie Rod Ends (Continued)

Axle Rating Lbs.	Axle Code/Year	Part Number/ Location	Stud Center to Rod End	OEM Reference	Notes
18000	1980-90	R230069 Curbside	5.44"	E3HZ-3A130A, E4HZ-3A130A	
		R230068 Roadside		E3HZ-3A131A, E4HZ-3A131A	
	1991-98	R230408 Curbside	6.00"	F1HZ-3A130A, F3HZ-3A130B	
		R230409 Roadside		F1HZ-3A131A, F3HZ-3A131B	
20000	1980-92	R230069 Curbside	5.44"	E3HZ-3A130A, E4HZ-3A130A	
		R230068 Roadside		E3HZ-3A131A, E4HZ-3A131A	
	1991-98	R230408 Curbside	6.00"	F1HZ-3A130A, F3HZ-3A130B	
		R230409 Roadside		F1HZ-3A131A, F3HZ-3A131B	

Drag Links

Axle Rating Lbs.	Axle Code/Year	Part Number	Stud Center to Stud Center	OEM Reference	Notes	
6000	1973-75	R250025	18.03"	D5HZ-3304D, E4HZ-3304B		
7000	1973-91	R250025	18.03"	E3HZ-3304H, E4HZ-3304B		
9000	1973-91	R250025	18.03"	E4HZ-3304B	LTS models.	
	1980-87	R250036	36.63"	E3HZ-3304J		
	1987-97	R250347	36.15"	E8HZ-3304E, E8HZ-3304F		
	1990	R250348	32.62"	F0HZ-3304E, F0HZ-3304F		
10000	1980-87	R250036	36.63"	E3HZ-3304J	LTS Models	
	1980-91	R250025	18.03"	E3HZ-3304H, E4HZ-3304B		
	1987-90	R250347	36.15"	E8HZ-3304E, E8HZ-3304F		
	1990-91	R250348	32.62"	F0HZ-3304E, F0HZ-3304F		
11000	1987	R250036	36.63"	E3HZ-3304J	LTS Models w/Air brakes.	
	1987-89	R250025	18.03"	E3HZ-3304H, E4HZ-3304B		
		R250347	36.15"	E8HZ-3304E, E8HZ-3304F		
12000	1973-91	R250025	18.03"	E4HZ-3304B		
	1980-87	R250036	36.63"	E3HZ-3304J		
	1987-97	R250347	36.15"	E8HZ-3304E, E8HZ-3304F		
	1990-91	R250348	32.62"	F0HZ-3304E, F0HZ-3304F		
16000	1973-90	R250025	18.03"	E3HZ-3304H, E4HZ-3304B		
		R250036		36.63"		E3HZ-3304J
	1987-90	R250347	36.15"	E8HZ-3304E, E8HZ-3304F		
	1991-97	R250357	17.53"	F1HZ-3304A, F1HZ-3304B		w/LH power steering gear.
		R250359	32.53"	F1HZ-3304E, F1HZ-3304F		w/RH power steering gear.
	1992-94	R250361	17.91"	F2HZ-3304C		

FORD

L800, L8000 (Includes LN, LNT, LS, LT, LTL and LTS) (Continued)

Drag Links (Continued)

Axle Rating Lbs.	Axle Code/Year	Part Number	Stud Center to Stud Center	OEM Reference	Notes
18000	1980-87	R250036	36.63"	E3HZ-3304J	
	1980-91	R250025	18.03"	E3HZ-3304H, E4HZ-3304B	
	1987-90	R250347	36.15"	E8HZ-3304E, E8HZ-3304F	
	1991-97	R250357	17.53"	F1HZ-3304A, F1HZ-3304B	w/LH power steering gear.
		R250359	32.53"	F1HZ-3304E, F1HZ-3304F	w/RH power steering gear.
	1992-94	R250361	17.91"	F2HZ-3304C	
20000	1980-87	R250036	36.63"	E3HZ-3304J	
	1980-91	R250025	18.03"	E3HZ-3304H, E4HZ-3304B	
	1987-90	R250347	36.15"	E8HZ-3304E, E8HZ-3304F	
	1991-97	R250357	17.53"	F1HZ-3304A, F1HZ-3304B	w/LH power steering gear.
		R250359	32.53"	F1HZ-3304E, F1HZ-3304F	w/RH power steering gear.
	1992-94	R250361	17.91"	F2HZ-3304C	L, LN, LNT, LT models.

L900, L9000 (Includes L, LL, LN, LNT, LS, LT, LTL and LTS)

King Pin Kits

Axle Rating Lbs.	Axle Code/Year	Part Number/ Bushing Type	King Pin Size	Type	OEM Reference	Notes
7000	1970-86	R200028 Nylon	1.231" x 8.910"	C	C7TZ-3111A	w/Hydraulic brakes from 1973, 1970-72 all brakes.
		R200029 Bronze				
		R200266 Bronze	1.240" x 8.910"	C		.01 oversize. w/Hydraulic brakes from 1973, 1970-72 all brakes.
	1973-75	R200028 Nylon	1.231" x 8.910"	C	C7TZ-3111A	w/Air brakes to W40,001.
		R200029 Bronze				
		R200266 Bronze	1.240" x 8.910"	C		.01 oversize. w/Air brakes to W40,001.
	1975-98	R200044 Bronze	1.434" x 8.250"	B	D6TZ-3111A	1980-86 w/air brakes from W40,001, 1987-88 w/hydraulic brakes.
	1989-90	R200272 Bronze	1.299" x 7.748"	B	E8HZ-3111A	
	1990-98	R200272 Bronze			F1HZ-3111A	From 10/90
	9000	1970-86	R200142 Bronze	1.434" x 8.500"	B	D1HZ-3111A
R200154 Nylon					C2TZ-3111A	w/Hydraulic brakes from 1973, 1970-72 all brakes.
R200184 Bronze						
R200021 Bronze			1.443" x 8.500"	B		.01 oversize. w/Hydraulic brakes from 1973, 1970-72 all brakes.
1973-75		R200142 Bronze	1.434" x 8.500"	B	D1HZ-3111A	w/Air brakes before W40,001. Contains dust cap and screws.
		R200154 Nylon			C2TZ-3111A	w/Air brakes before W40,001.
		R200184 Bronze				
1975-86		R200050 Bronze	1.607" x 9.080"	B	D6HZ-3111B	w/Air brakes from W40,001.
		R200276 Easy Steer	1.794" x 10.070"	B	D6HZ-3111C	w/Air brakes.
1980-86		R200276 Easy Steer				w/Air brakes from W40,001.
1987-88		R200044 Bronze	1.434" x 8.250"	B	D6TZ-3111A	
1989		R200275 Bronze	1.607" x 9.080"	B	E9HZ-3111B	w/Screw-in end caps.
1990-98		R200050 Bronze			D6HZ-3111B	w/Steel axle.
10000		1987-91	R200051 Bronze	1.794" x 10.070"	B	D6HZ-3111A
	R200061 Bronze					w/Steel axle. Bearing 3.15" OD x .64" thick.
	1990-97	R200273 Bronze			E9HZ-3111A	w/Steel axle.
11000	1987-89	R200051 Bronze	1.794" x 10.070"	B	D6HZ-3111A	w/Steel axle. Bearing 3.26" OD x .94" thick.
		R200061 Bronze				w/Air brakes. Bearing 3.15" OD x .64" thick.

L900, L9000 (Includes L, LL, LN, LNT, LS, LT, LTL and LTS) (Continued)

King Pin Kits (Continued)

Axle Rating Lbs.	Axle Code/Year	Part Number/ Bushing Type	King Pin Size	Type	OEM Reference	Notes
12000	1970-86	R200167 Nylon	1.794" x 9.120"	B	D1HZ-3111B	w/Hydraulic brakes from 1975, 1970-75 all brakes. Contains dust cap and screws.
		R200172 Bronze				w/Hydraulic brakes from 1975, 1970-75 all brakes.
	1975-94	R200051 Bronze	1.794" x 10.070"	B	D6HZ-3111A	w/Air brakes from W40,001. w/Steel axle. Bearing 3.26" OD x .94" thick.
		R200061 Bronze				w/Air brakes from W40,001. Bearing 3.15" OD x .64" thick.
	1989-98	R200273 Bronze	1.794" x 10.070"	B	E9HZ-3111A	w/Steel axle. Screw-in end caps.
16000	1970-86	R200168 Nylon	1.999" x 11.040"	B	D0HZ-3111E	w/Hydraulic brakes from 1973-79, 1970-72 all brakes, 1980-86 all brakes.
		R200170 Bronze				w/Air brakes to W40,001.
	1973-75	R200168 Nylon	1.999" x 11.040"	B	D0HZ-3111E	w/Air brakes to W40,001.
		R200170 Bronze				
	1980-98	R200198 Bronze	1.999" x 11.212"	B	D5HZ-3111C	w/Air brakes from W40,001.
		R201312 Easy Steer				
18000	1970-75	R200168 Nylon	1.999" x 11.040"	B	D0HZ-3111E	Before W40,001.
		R200170 Bronze				
	1980-98	R200198 Bronze	1.999" x 11.212"	B	D5HZ-3111C	From W40,001.
		R201312 Easy Steer				
20000	1970-75	R200168 Nylon	1.999" x 11.040"	B	D0HZ-3111E	Before W40,001.
		R200170 Bronze				
	1980-98	R200198 Bronze	1.999" x 11.212"	B	D5HZ-3111C	
		R201312 Easy Steer				

Tie Rod Ends

Axle Rating Lbs.	Axle Code/Year	Part Number/ Location	Stud Center to Rod End	OEM Reference	Notes
7000	1970-90	R230019 Curbside	4.43"	C7TZ-3A130D	1973-86 w/hydraulic brakes. 1989-90 all, 1970-72 all brakes.
		R230018 Roadside		C7TZ-3A131D	
	1973-75	R230019 Curbside	4.43"	C7TZ-3A130D	w/Air brakes before W40,001.
		R230018 Roadside		C7TZ-3A131D	
	1975-88	R230031 Curbside	6.07"	D5TZ-3A131A	1980-86 w/air brakes from W40,001, 1987-88 w/hydraulic brakes.
		R230030 Roadside		D5TZ-3A130A	
	1995-97	R230418 Curbside	7.18"	F5HZ-3A131B	
		R230419 Roadside		F5HZ-3A130B	
9000	1970-86	R230069 Curbside	5.44"	E4HZ-3A130A	w/Hydraulic brakes from 1973, 1970-72 all brakes.
		R230068 Roadside		E4HZ-3A131A	
	1975-97	R230031 Curbside	6.07"	D5TZ-3A131A	1975 w/air brakes from W40,001, 1987-89 all.
		R230030 Roadside		D5TZ-3A130A	
10000	1987-91	R230069 Curbside	5.44"	E3HZ-3A130A, E4HZ-3A130A	
		R230068 Roadside		E3HZ-3A131A, E4HZ-3A131A	
	1992-98	R230408 Curbside	6.00"	F1HZ-3A130A, F3HZ-3A130B	
		R230409 Roadside		F1HZ-3A131A, F3HZ-3A131B	
11000	1987-89	R230069 Curbside	5.44"	E3HZ-3A130A, E4HZ-3A130A	
		R230068 Roadside		E3HZ-3A131A, E4HZ-3A131A	
12000	1970-91	R230069 Curbside	5.44"	D0HZ-3A130A	
		R230068 Roadside		D0HZ-3A131A	
	1992-98	R230408 Curbside	6.00"	F1HZ-3A130A, F3HZ-3A130B	
		R230409 Roadside		F1HZ-3A131A, F3HZ-3A131B	

FORD

L900, L9000 (Includes L, LL, LN, LNT, LS, LT, LTL and LTS) (Continued)

Tie Rod Ends (Continued)

Axle Rating Lbs.	Axle Code/Year	Part Number/ Location	Stud Center to Rod End	OEM Reference	Notes	
16000	1970-79	R230070 Curbside	5.75"	D0HZ-3A130B	w/Hydraulic brakes from 1973, 1970-72 all brakes.	
		R230071 Roadside		D0HZ-3A131B		
	1973-75	R230070 Curbside	5.75"	D0HZ-3A130B	w/Air brakes to W40,001.	
		R230071 Roadside		D0HZ-3A131B		
	1975-90	R230069 Curbside	5.44"	D0HZ-3A130A	w/Air brakes from W40,001, 1980-90 all brakes.	
		R230068 Roadside		D0HZ-3A131A		
	1980-90	R230069 Curbside	5.44"	E3HZ-3A130A, E4HZ-3A130A		
		R230068 Roadside		E3HZ-3A131A, E4HZ-3A131A		
	1991-98	R230408 Curbside	6.00"	F1HZ-3A130A, F3HZ-3A130B		
		R230409 Roadside		F1HZ-3A131A, F3HZ-3A131B		
18000	1970-75	R230070 Curbside	5.75"	D0HZ-3A130B	To W40,001.	
		R230071 Roadside		D0HZ-3A131B		
	1975-90	R230069 Curbside	5.44"	D0HZ-3A130A	From W40,001.	
		R230068 Roadside		D0HZ-3A131A		
	1980-90	R230069 Curbside	5.44"	E3HZ-3A130A, E4HZ-3A130A		
		R230068 Roadside		E3HZ-3A131A, E4HZ-3A131A		
	1991-98	R230408 Curbside	6.00"	F1HZ-3A130A, F3HZ-3A130B		
		R230409 Roadside		F1HZ-3A131A, F3HZ-3A131B		
	20000	1970-75	R230070 Curbside	5.75"	D0HZ-3A130B	To W40,001.
			R230071 Roadside		D0HZ-3A131B	
1975-90		R230069 Curbside	5.44"	D0HZ-3A130A	From W40,001.	
		R230068 Roadside		D0HZ-3A131A		
1980-90		R230069 Curbside	5.44"	E3HZ-3A130A, E4HZ-3A130A		
		R230068 Roadside		E3HZ-3A131A, E4HZ-3A131A		
1991-98		R230408 Curbside	6.00"	F1HZ-3A130A, F3HZ-3A130B		
		R230409 Roadside		F1HZ-3A131A, F3HZ-3A131B		

L900, L9000 (Includes L, LL, LN, LNT, LS, LT, LTL and LTS) (Continued)

Drag Links

Axle Rating Lbs.	Axle Code/Year	Part Number	Stud Center to Stud Center	OEM Reference	Notes
7000	1973-91	R250025	18.03"	D5HZ-3304D	
9000	1973-91	R250025	18.03"	D5HZ-3304D	
		R250036	36.63"	D0HZ-3304B	
	1987-97	R250347	36.15"	E8HZ-3304E, E8HZ-3304F	
	1990	R250348	32.62"	F0HZ-3304E, F0HZ-3304F	
10000	1980-91	R250025	18.03"	E3HZ-3304H, E4HZ-3304B	
	1987	R250036	36.63"	E3HZ-3304J	LTS models.
	1987-90	R250347	36.15"	E8HZ-3304E, E8HZ-3304F	1990 LS-LTS models w/unitized tractor application.
	1990-91	R250348	32.62"	F0HZ-3304E, F0HZ-3304F	
11000	1987-89	R250025	18.03"	E3HZ-3304H, E4HZ-3304B	
		R250347	36.15"	E8HZ-3304E	
12000	1973-87	R250036	36.63"	D0HZ-3304B	
	1973-91	R250025	18.03"	D5HZ-3304B, E4HZ-3304B	
	1987-89	R250347	36.15"	E8HZ-3304E, E8HZ-3304F	
	1990	R250348	32.62"	F0HZ-3304E, F0HZ-3304F	
	1990-91	R250348	32.62"	F0HZ-3304E, F0HZ-3304F	Except 5,400/12,000 lb. front spring capacity (taper leaf).
16000	1973-87	R250036	36.63"	D0HZ-3304B	
	1980-90	R250025	18.03"	E3HZ-3304H, E4HZ-3304B	
	1987-90	R250347	36.15"	E8HZ-3304E, E8HZ-3304F	
	1991-97	R250357	17.53"	F1HZ-3304A, F1HZ-3304B	w/LH power steering gear.
		R250359	32.53"	F1HZ-3304E, F1HZ-3304F	w/RH power steering gear.
	1992-94	R250361	17.91"	F2HZ-3304C	L, LN, LNT, LT models.
18000	1973-87	R250036	36.63"	D0HZ-3304B	
	1980-90	R250025	18.03"	E3HZ-3304H, E4HZ-3304B	
	1987-90	R250347	36.15"	E8HZ-3304E, E8HZ-3304F	
	1991-97	R250357	17.53"	F1HZ-3304A, F1HZ-3304B	w/LH power steering gear.
		R250359	32.53"	F1HZ-3304E, F1HZ-3304F	w/RH power steering gear.
	1992-94	R250361	17.91"	F2HZ-3304C	L, LN, LNT, LT models.
20000	1973-87	R250036	36.63"	D0HZ-3304B	
	1980-90	R250025	18.03"	E3HZ-3304H, E4HZ-3304B	
	1987-90	R250347	36.15"	E8HZ-3304E, E8HZ-3304F	
	1991-97	R250357	17.53"	F1HZ-3304A, F1HZ-3304B	w/LH power steering gear.
		R250359	32.53"	F1HZ-3304E, F1HZ-3304F	w/RH power steering gear.
	1992-94	R250361	17.91"	F2HZ-3304C	L, LN, LNT, LT models.

LLA900, LLS900, LTLA900, LTLS900

King Pin Kits

Axle Rating Lbs.	Axle Code/Year	Part Number/ Bushing Type	King Pin Size	Type	OEM Reference	Notes
14600, 16000, 18000	1991-98	R200198 Bronze	1.999" x 11.212"	B	D5HZ-3111C	

FORD

LLA900, LLS900, LTLA900, LTLS900 (Continued)

Tie Rod Ends

Axle Rating Lbs.	Axle Code/Year	Part Number/ Location	Stud Center to Rod End	OEM Reference	Notes
14600, 16000, 18000	1991-98	R230408 Curbside	6.00"	F1HZ-3A130A, F3HZ-3A130B	
		R230409 Roadside		F1HZ-3A131A, F3HZ-3A131B	

Drag Links

Axle Rating Lbs.	Axle Code/Year	Part Number	Stud Center to Stud Center	OEM Reference	Notes
14600, 16000, 18000	1992-97	R250360	22.61"	F1HZ-3304J	Used with F1HT-3304VA.

LN500

King Pin Kits

Axle Rating Lbs.	Axle Code/Year	Part Number/ Bushing Type	King Pin Size	Type	OEM Reference	Notes
5000	1967-72	R200018 Bronze	1.231" x 7.860"	C	C3TZ-3111A	
		R200019 Bronze	1.241" x 7.860"			

Tie Rod Ends

Axle Rating Lbs.	Axle Code/Year	Part Number/ Location	Stud Center to Rod End	OEM Reference	Notes
5000	1967-72	R230019 Curbside	4.43"	C7TZ-3A130D	
		R230018 Roadside		C7TZ-3A131D	

Drag Links

Axle Rating Lbs.	Axle Code/Year	Part Number	Stud Center to Stud Center	OEM Reference	Notes
5000	1971	R250012	16.64"	C7TZ-3304A	

LN600

King Pin Kits

Axle Rating Lbs.	Axle Code/Year	Part Number/ Bushing Type	King Pin Size	Type	OEM Reference	Notes
5000	1967-73	R200018 Bronze	1.231" x 7.860"	C	C3TZ-3111A	
		R200019 Bronze	1.241" x 7.860"			
5500	1967-89	R200018 Bronze	1.231" x 7.860"	C	C3TZ-3111A	
		R200019 Bronze	1.241" x 7.860"			
6000	1967-95	R200028 Nylon	1.231" x 8.910"	C	C7TZ-3111A	
		R200029 Bronze				
7000	1967-75	R200266 Bronze	1.240" x 8.910"	C		.01 oversize.
		R200028 Nylon	1.231" x 8.910"	C		.01 oversize. Before W40,001.
7000	1967-75	R200029 Bronze		C	C7TZ-3111A	Before W40,001.
		R200266 Bronze	1.240" x 8.910"	C	D3TZ-3111A	
7000	1975-95	R200044 Bronze	1.434" x 8.250"	B	D6TZ-3111A	From W40,001. w/Air brakes 1980-83.
	1980-95	R200028 Nylon	1.231" x 8.910"	C	C7TZ-3111A	w/Hydraulic brakes.
9000	1967-95	R200029 Bronze		C		.01 oversize. w/Hydraulic brakes.
		R200266 Bronze	1.240" x 8.910"	C		
9000	1973-95	R200044 Bronze	1.434" x 8.250"	B	D6TZ-3111A	From W40,001.
		R200142 Bronze	1.434" x 8.500"	B	D1HZ-3111A	Before W40,001.
9000	1973-95	R200154 Nylon		B	C2TZ-3111G	
		R200021 Bronze	1.443" x 8.500"	B		.01 oversize. Before W40,001.

LN600 (Continued)

Tie Rod Ends

Axle Rating Lbs.	Axle Code/Year	Part Number/ Location	Stud Center to Rod End	OEM Reference	Notes
5000	1967-73	R230019 Curbside	4.43"	C7TZ-3A130D	
		R230018 Roadside		C7TZ-3A131D	
5500	1967-89	R230019 Curbside	4.43"	C7TZ-3A130D	
		R230018 Roadside		C7TZ-3A131D	
6000	1967-95	R230019 Curbside	4.43"	C7TZ-3A130D	
		R230018 Roadside		C7TZ-3A131D	
7000	1973-75	R230019 Curbside	4.43"	C7TZ-3A130D	w/Air brakes before W40,001.
		R230018 Roadside		C7TZ-3A131D	
	1973-95	R230019 Curbside	4.43"	C7TZ-3A130D	w/Hydraulic brakes.
		R230018 Roadside		C7TZ-3A131D	
	1975-95	R230031 Curbside	6.07"	D5TZ-3A131A	w/Air brakes from W40,001.
		R230030 Roadside		D5TZ-3A130A	
9000	1973-75	R230061 Curbside	4.875"	C8TZ-3A130A	w/Air brakes before W40,001.
		R230060 Roadside		C1TZ-3A131C	
	1975-95	R230031 Curbside	6.07"	D5TZ-3A131A	w/Air brakes from W40,001.
		R230030 Roadside		D5TZ-3A130A	

LN700, LN750

King Pin Kits

Axle Rating Lbs.	Axle Code/Year	Part Number/ Bushing Type	King Pin Size	Type	OEM Reference	Notes
5000	1970-73	R200018 Bronze	1.231" x 7.860"	C	C3TZ-3111A	
		R200019 Bronze	1.241" x 7.860"			
5500	1970-89	R200018 Bronze	1.231" x 7.860"	C	C3TZ-3111A	
		R200019 Bronze	1.241" x 7.860"			
6000	1970-97	R200028 Nylon	1.231" x 8.910"	C	C7TZ-3111A	
		R200029 Bronze				
		R200266 Bronze	1.240" x 8.910"			
7000	1970-86	R200028 Nylon	1.231" x 8.910"	C	C7TZ-3111A	w/Hydraulic brakes from 1973.
		R200029 Bronze				
		R200266 Bronze	1.240" x 8.910"			
	1971-97	R200028 Nylon	1.231" x 8.910"	C	C7TZ-3111A	w/Air brakes before W40,001.
		R200029 Bronze				
		R200266 Bronze	1.240" x 8.910"			
1975-97	R200044 Bronze	1.434" x 8.250"	B	D6TZ-3111A	w/Air brakes from W40,001.	
9000	1970-83	R200142 Bronze	1.434" x 8.500"	B	D1HZ-3111A	w/Hydraulic brakes from 1973.
		R200154 Nylon			C2TZ-3111G	
		R200021 Bronze	1.443" x 8.500"			
	1973-97	R200142 Bronze	1.434" x 8.500"	B	D1HZ-3111A	w/Air brakes before W40,001.
		R200154 Nylon			C2TZ-3111G	
1975-97	R200044 Bronze	1.434" x 8.250"	B	D6TZ-3111A	w/Air brakes from W40,001; 1984-89 all brakes.	

FORD

LN700, LN750 (Continued)

Tie Rod Ends

Axle Rating Lbs.	Axle Code/Year	Part Number/ Location	Stud Center to Rod End	OEM Reference	Notes
5000	1970-73	R230019 Curbside	4.43"	C7TZ-3A130D	
		R230018 Roadside		C7TZ-3A131D	
5500	1970-89	R230019 Curbside	4.43"	C7TZ-3A130D	
		R230018 Roadside		C7TZ-3A131D	
6000	1970-97	R230019 Curbside	4.43"	C7TZ-3A130D	
		R230018 Roadside		C7TZ-3A131D	
7000	1970-97	R230019 Curbside	4.43"	C7TZ-3A130D	w/Hydraulic brakes from 1973.
		R230018 Roadside		C7TZ-3A131D	
	1973-75	R230019 Curbside	4.43"	C7TZ-3A130D	w/Air brakes before W40,001.
		R230018 Roadside		C7TZ-3A131D	
	1975-97	R230031 Curbside	6.07"	D5TZ-3A131A	w/Air brakes from W40,001.
		R230030 Roadside		D5TZ-3A130A	
9000	1970-89	R230061 Curbside	4.875"	C8TZ-3A130C	w/Hydraulic brakes.
		R230060 Roadside		C1TZ-3A131C	
	1973-75	R230061 Curbside	4.875"	C8TZ-3A130C	w/Air brakes before W40,001.
		R230060 Roadside		C1TZ-3A131C	
	1975-97	R230031 Curbside	6.07"	D5TZ-3A131A	w/Air brakes from W40,001.
		R230030 Roadside		D5TZ-3A130A	

LNT880, LT880

King Pin Kits

Axle Rating Lbs.	Axle Code/Year	Part Number/ Bushing Type	King Pin Size	Type	OEM Reference	Notes
7000	1972-77	R200028 Nylon	1.231" x 8.910"	C	C7TZ-3111A	
		R200029 Bronze				
		R200266 Bronze	1.240" x 8.910"	C		
9000	1972-77	R200142 Bronze	1.434" x 8.500"	B	D1HZ-3111A	
		R200154 Nylon			C2TZ-3111G	
		R200021 Bronze	1.443" x 8.500"	B		
12000	1972-77	R200167 Nylon	1.794" x 9.120"	B	D1HZ-3111B	
		R200172 Bronze				

Tie Rod Ends

Axle Rating Lbs.	Axle Code/Year	Part Number/ Location	Stud Center to Rod End	OEM Reference	Notes
7000, 9000	1972-77	R230019 Curbside	4.43"	C7TZ-3A130D	
		R230018 Roadside		C7TZ-3A131D	
12000	1972-77	R230069 Curbside	5.44"	D0HZ-3A130A	
		R230068 Roadside		D0HZ-3A131A	

Louisville (New Design) L and LT 85/95

King Pin Kits

Axle Rating Lbs.	Axle Code/Year	Part Number/ Bushing Type	King Pin Size	Type	OEM Reference	Notes
9000	1996-97	R200275 Bronze	1.607" x 9.080"	B	E9HZ-3111B	
18000, 20000	1996-97	R200198 Bronze	1.999" x 11.212"	B	D5HZ-3111C	

Tie Rod Ends

Axle Rating Lbs.	Axle Code/Year	Part Number/ Location	Stud Center to Rod End	OEM Reference	Notes
9000	1996-98	R230418 Curbside	7.18"	F4HZ-3A130AA	
		R230419 Roadside		F4HZ-3A131AA	
10000, 12000, 13000, 18000, 20000	1996-97	R230145 Curbside	7.75"	F6HZ-3A130AA	
		R230146 Roadside		F6HZ-3A131AA	

Louisville (New Design) L and LT 85/95 (Continued)

Drag Links

Axle Rating Lbs.	Axle Code/Year	Part Number	Stud Center to Stud Center	OEM Reference	Notes
13000	1996-97	R250124	19.06"	F6HZ-3304FB	

M400 Motor Home Chassis

King Pin Kits

Axle Rating Lbs.	Axle Code/Year	Part Number/ Bushings Type	King Pin Size	Type	OEM Reference	Notes
	1973-76	R200018 Bronze	1.231" x 7.860"	C	C3TZ-3111A	.01 oversize.
		R200019 Bronze	1.241" x 7.860"			

Tie Rod Ends

Axle Rating Lbs.	Axle Code/Year	Part Number/ Location	Stud Center to Rod End	OEM Reference	Notes
	1973-76	R230019 Curbside	4.43"	C3TZ-3A130D	
		R230018 Roadside		C3TZ-3A131D	

N500, N600, N6000, N8000, N850, NT850, N950, NT950, N1000, N1100

King Pin Kits

Axle Rating Lbs.	Axle Code/Year	Part Number/ Bushings Type	King Pin Size	Type	OEM Reference	Notes	
5000, 5500	1963-69	R200018 Bronze	1.231" x 7.860"	C	C3TZ-3111A	.01 oversize.	
		R200019 Bronze	1.241" x 7.860"				
6000	1963-66	R200006 Bronze	1.234" x 7.500"	A	B7TZ-3111A	From C70,001.	
		R200023 Nylon			C2TZ-3111A		
	1967-69	R200028 Nylon	1.231" x 8.910"	C	C7TZ-3111A	.01 oversize. From C70,001.	
		R200029 Bronze					
		R200266 Bronze	1.240" x 8.910"	C			
7000	1963-69	R200143 Bronze	1.234" x 7.438"	B	B7TZ-3111F	Draw key 7-X-9.	
		R200155 Nylon				C2TZ-3111F	
		R201314 Bronze					Draw key 7-X-59.
	1967-69	R200016 Bronze	1.244" x 7.440"	B		.01 oversize.	
		R200028 Nylon	1.231" x 8.910"	C	C7TZ-3111A	.01 oversize	
		R200029 Bronze					
		R200266 Bronze	1.240" x 8.910"				
9000	1962-69	R200142 Bronze	1.434" x 8.500"	B	D1HZ-3111A	Contains dust cap and screws.	
		R200154 Nylon				C2TZ-3111G	
		R200184 Bronze					
		R200021 Bronze	1.443" x 8.500"				.01 oversize.
11000	1962-69	R200156 Nylon	1.607" x 8.740"	B	C4TZ-3111A	Center point steering.	
		R200157 Bronze				D0HZ-3111C	Center point steering.
							Contains dust cap and screws.
		R200188 Bronze				C4TZ-3111A	Center point steering.
12000	1962-69	R200156 Nylon	1.607" x 8.740"	B	C4TZ-3111A	Contains dust cap and screws.	
		R200157 Bronze					D0HZ-3111C
		R200188 Bronze					C4TZ-3111A
		R200167 Nylon	1.794" x 9.120"		B		D1HZ-3111B
	1968-69	R200172 Bronze		B	D0HZ-3111E	Center point steering. Gasket 2208-S-513.	
		R200168 Nylon	1.999" x 11.040"				
		R200170 Bronze					
		R200189 Bronze					
		R200191 Bronze				Center point steering. No dust cap or screws.	
15000	1964-69	R200146 Nylon	10.688"	D	C2TZ-3111E	Center point steering. Contains 12 draw keys.	
		R200153 Bronze				D0HZ-3111D	Tapered pin.

FORD

N500, N600, N6000, N8000, N850, NT850, N950, NT950, N1000, N1100 (Continued)

Tie Rod Ends

Axle Rating Lbs.	Axle Code/Year	Part Number/ Location	Stud Center to Rod End	OEM Reference	Notes
5000, 5500	1963-66	R230003 Curbside	3.50"	C1TZ-3A130A	w/Manual steering.
		R230002 Roadside		C1TZ-3A131A	
	1967-69	R230019 Curbside	4.43"	C7TZ-3A130D	
		R230018 Roadside		C7TZ-3A131D	
6000	1967-69	R230019 Curbside	4.43"	C7TZ-3A130D	
		R230018 Roadside		C7TZ-3A131D	
7000	1963-69	R230063 Curbside	3.88"	C1TZ-3A130B	
		R230062 Roadside		C1TZ-3A131B	
	1967-69	R230019 Curbside	4.43"	C7TZ-3A130D	
		R230018 Roadside		C7TZ-3A131D	
9000	1962-69	R230061 Curbside	4.875"	C1TZ-3A130C	Except 1968-69 power steering.
		R230060 Roadside		C1TZ-3A131C	
12000	1962-69	R230066 Curbside	5.75"	B8TZ-3A130B	
		R230067 Roadside		B8TZ-3A131B	
15000	1964-69	R230066 Curbside	5.75"	B8TZ-3A130B	
		R230067 Roadside		B8TZ-3A131B	

P100 (1/2 Ton) 2WD

King Pin Kits

Axle Rating Lbs.	Axle Code/Year	Part Number/ Bushing Type	King Pin Size	Type	OEM Reference	Notes
	1960-67	R200222 Bronze	0.859" x 6.550"	C	B7C-3111A	

P350 (1 Ton) 2WD

King Pin Kits

Axle Rating Lbs.	Axle Code/Year	Part Number/ Bushing Type	King Pin Size	Type	OEM Reference	Notes
	1953-73	R200012 Bronze	0.921" x 7.000"	C	B7Y-3111A	

P400, P500, P600

King Pin Kits

Axle Rating Lbs.	Axle Code/Year	Part Number/ Bushing Type	King Pin Size	Type	OEM Reference	Notes
3800	1957-78	R200012 Bronze	0.921" x 7.000"	C	B7Y-3111A	
4700	1957-62	R200265 Bronze	1.129" x 7.670"	C	B7T-3111A	
		R200018 Bronze	1.231" x 7.860"	C	C3TZ-3111A	
5000	1963-79	R200019 Bronze	1.241" x 7.860"	C	C3TZ-3111A	.01 oversize.
		R200018 Bronze	1.231" x 7.860"			
5000	1978-79	R200018 Bronze	1.231" x 7.860"	C	C3TZ-3111A	
		R200019 Bronze	1.241" x 7.860"			

Tie Rod Ends

Axle Rating Lbs.	Axle Code/Year	Part Number/ Location	Stud Center to Rod End	OEM Reference	Notes
3800	1957-78	R230003 Curbside	3.50"	C1TZ-3A130A	
		R230002 Roadside		C1TZ-3A131A	
4700	1961-90	R230003 Curbside	3.50"	C1TZ-3A130A	
		R230002 Roadside		C1TZ-3A131A	
5000	1978-79	R230019 Curbside	4.43"	C7TZ-3A130D	
		R230018 Roadside		C7TZ-3A131D	

King Pin Kits

Axle Rating Lbs.	Axle Code/Year	Part Number/ Bushing Type	King Pin Size	Type	OEM Reference	Notes
6000	1967	R200006 Bronze	1.234" x 7.500"	A	B7TZ-3111A	
		R200023 Nylon			C2TZ-3111A	
7000	1967-69	R200143 Bronze	1.234" x 7.438"	B	B7TZ-3111F	
		R200155 Nylon			C2TZ-3111F	
9000	1961-69	R200016 Bronze	1.244" x 7.440"	B		.01 oversize.
		R200142 Bronze	1.434" x 8.500"	B	D1HZ-3111A	
		R200154 Nylon			C2TZ-3111G	
11000	1962-69	R200021 Bronze	1.443" x 8.500"	B		.01 oversize.
		R200156 Nylon	1.607" x 8.740"	B	C4TZ-3111A	Center point steering.
R200157 Bronze	D0HZ-3111C					
12000	1962-69	R200167 Nylon	1.794" x 9.120"	B	D1HZ-3111B	
		R200172 Bronze				
		R200156 Nylon			1.607" x 8.740"	B
R200157 Bronze	D0HZ-3111C	Center point steering. Contains dust cap and screws.				
15000	1964-69	R200188 Bronze			C4TZ-3111A	Center point steering.
		R200146 Nylon	10.688"	D	C2TZ-3111E	Tapered pin.
		R200153 Bronze			D0HZ-3111D	
18000	1964-69	R200168 Nylon	1.999" x 11.040"	B	D0HZ-3111E	
		R200170 Bronze				
		R200189 Bronze				
		R200191 Bronze				
						Gasket 2208-S-513.
						No dust cap or screws.
						Contains 12 draw keys.

Tie Rod Ends

Axle Rating Lbs.	Axle Code/Year	Part Number/ Location	Stud Center to Rod End	OEM Reference	Notes
7000	1967-69	R230063 Curbside	3.88"	C1TZ-3A130B	
		R230062 Roadside		C1TZ-3A131B	
9000	1961-69	R230061 Curbside	4.875"	C8TZ-3A130A	
		R230060 Roadside		C1TZ-3A131C	
12000, 15000	1962-69	R230066 Curbside	5.75"	B8TZ-3A130B	
		R230067 Roadside		B8TZ-3A131B	
18000	1964-69	R230066 Curbside	5.75"	B8TZ-3A130B	
		R230067 Roadside		B8TZ-3A131B	

W900, WT900, W9000, WT9000, W1000, WT10000

King Pin Kits

Axle Rating Lbs.	Axle Code/Year	Part Number/ Bushing Type	King Pin Size	Type	OEM Reference	Notes
12000	1966-75	R200156 Nylon	1.607" x 8.740"	B	C4TZ-3111A	Center point steering.
		R200157 Bronze			D0HZ-3111C	
		R200167 Nylon	1.794" x 9.120"	B	D1HZ-3111B	Before W40,001.
		R200172 Bronze				
15000	1975-77	R200051 Bronze	1.794" x 10.070"	B	D6HZ-3111A	From W40,001.
		R200146 Nylon	10.688"	D	C2TZ-3111E	Tapered pin.
R200153 Bronze	D0HZ-3111D					

Tie Rod Ends

Axle Rating Lbs.	Axle Code/Year	Part Number/ Location	Stud Center to Rod End	OEM Reference	Notes
12000	1966-70	R230066 Curbside	5.75"	B8TZ-3A130B	
		R230067 Roadside		B8TZ-3A131B	
15000	1966-70	R230066 Curbside	5.75"	B8TZ-3A130B	
		R230067 Roadside		B8TZ-3A131B	

FREIGHTLINER

INDEX

Model	Page No.	Model	Page No.
All Models (Conventional and COE)	2-39		

FREIGHTLINER

All Models (Conventional and COE)

King Pin Kits

Axle Rating Lbs.	Axle Code/Year	Part Number/ Bushing Type	King Pin Size	Type	OEM Reference	Notes
12000	(FE900)	R200123 Nylon	9.750"	D	KIT 123	Tapered pin.
		R200144 Bronze			KIT 144	
		R200186 Bronze			KIT 186	
	(FE970)	R200156 Nylon	1.607" x 8.740"	B	KIT 156	Tapered pin. Contains cotter pin and nuts.
		R200157 Bronze			KIT 157	
		R200188 Bronze			KIT 188	
	(FF901)	R200167 Nylon	1.794" x 9.120"	B	KIT 167	Contains dust cap and screws.
		R200172 Bronze			KIT 172	
	(FF921)	R200193 Bronze	1.794" x 10.410"	B	KIT 193	Contains washers.
		R200199 Bronze			KIT 199	
(FF931)	R200195 Bronze	1.794" x 10.392"	B	KIT 195		
	R201307 Easy Steer			KIT 1307		
(FF971)	R201300 Bronze	1.607" x 9.375"	B	KIT 1300		
16000	(FH901)	R200168 Nylon	1.999" x 11.040"	B	KIT 168	
		R200170 Bronze			KIT 170	
	(FL931)	R200198 Bronze	1.999" x 11.212"	B	KIT 198	
		R201312 Easy Steer			KIT 1312	
18000	(FL901)	R200168 Nylon	1.999" x 11.040"	B	KIT 168	
		R200170 Bronze			KIT 170	

Tie Rod Ends

Axle Rating Lbs.	Axle Code/Year	Part Number/ Location	Stud Center to Rod End	OEM Reference	Notes	
12000	(FE900)	R230061 Curbside	4.875"	A3144R226		
		R230060 Roadside		A3144Q225		
	(FE970)	R230061 Curbside	4.875"	A3144R226		
		R230060 Roadside		A3144Q225		
		R230075 Curbside	10.50"	A3144N534		
		R230074 Roadside		A3144M533		
	(FF901)	R230061 Curbside	4.875"	A3144R226		
		R230060 Roadside		A3144Q225		
		R230066 Curbside	5.75"	A3144C237		Anti-tilt seal type.
		R230067 Roadside		A3144D238		
		R230070 Curbside	5.75"	A3144J296		Conventional seal type.
		R230071 Roadside		A3144K297		
	(FF921)	R230069 Curbside	5.44"	A3144D524		Greaseable type.
		R230068 Roadside		A3144E525		
	(FF931)	R230069 Curbside	5.44"	A3144D524		
		R230068 Roadside		A3144E525		
(FF971)	R230075 Curbside	10.50"	A3144N534	Center point steering.		
	R230074 Roadside		A3144M533			
16000	(FH901)	R230070 Curbside	5.75"	A3144J296		
		R230071 Roadside		A3144K297		
	(FL931)	R230073 Curbside	7.37"	A3144F448		
		R230072 Roadside		A3144G449		
18000	(FL901)	R230070 Curbside	5.75"	A3144J296		
		R230071 Roadside		A3144K297		
20000	(FG903)	R230070 Curbside	5.75"	A3144J296		
		R230071 Roadside		A3144K297		

Drag Links

Axle Rating Lbs.	Axle Code/Year	Part Number	Stud Center to Stud Center	OEM Reference	Notes
12000	(All)	R230070	5.75" Stud center to rod end	L28SV5004D1	Drag link end - RH thread.
		R230071		L28SV5019A1	Drag link end - LH thread.
	(FF940 & FF943)	R230070	5.75" Stud center to rod end	681-460-15-05	Drag link end - RH thread.
16000, 18000	(All)	R230070	5.75" Stud center to rod end	L28SV5004D1	Drag link end - RH thread.
		R230071		L28SV5019A1	Drag link end - LH thread.
16000, 20000	(FL931)	R250120	28.87"	14-12098-001	w/Sheppard M100 steering.

INDEX

Model	Page No.	Model	Page No.
3500 (1 Ton) 2WD	2-41	M60, M6000	2-59
A60	2-41	M65, M6500	2-60
A80, N80, Q80, V80	2-41	M90, M9500	2-60
B60, B6P, B6000	2-42	N50	2-61
B70, C7500, Kodiak, TopKick	2-42	N60, Y60	2-62
Bison, General, N9E, N9F	2-43	P1500 (1/2 Ton) 2WD	2-62
Bruin, Brigadier, J8C, J9C	2-45	P2500 (3/4 Ton) 2WD	2-62
C40	2-46	P40	2-62
C50, C5D, C5000, E5500, H5500, C4500, E4500	2-46	P4500	2-63
C5500, Kodiak, TopKick	2-47	P50	2-63
C60, C6D, C6000, C6H042, Kodiak, TopKick	2-47	P60	2-63
C65, E6500	2-48	P6000	2-64
C6500, Kodiak, TopKick	2-49	Q60, V60, X60	2-65
C70, C7D, C7H042, C7H064, Kodiak, TopKick	2-50	R8500	2-65
C8500, Kodiak, TopKick	2-50	S50, Q50	2-65
C9500	2-51	S60, S6000	2-66
D50	2-51	S70, S7T, S7500	2-66
D60	2-51	T50, T5500	2-67
D90, D9500	2-52	T60, T6000	2-67
F90	2-52	T65, T6500	2-68
F9500	2-53	T70, T7500	2-68
H70, H7500	2-53	T80, T8500	2-69
H80, H8500	2-54	T90, T9500	2-69
H90, H9500	2-55	Titan, Astro, D9K, D9L	2-70
J70, J7500	2-55	W60, W6N	2-71
J80	2-56	W70	2-71
J8500	2-56	W70, W7N, W7500	2-71
J90, J9500	2-57	W80, W8500	2-72
L50	2-58	W90, W9500	2-72
L60, C80, E80, L80, M80, U80	2-59		
M50	2-59		

GMC/CHEVROLET**3500 (1 Ton) 2WD****King Pin Kits**

Axle Rating Lbs.	Axle Code/Year	Part Number/ Bushing Type	King Pin Size	Type	OEM Reference	Notes
	(F050) 1965-66	R200026 Nylon R200027 Bronze	1.109" x 6.343"	A	3927942	

Tie Rod Ends

Axle Rating Lbs.	Axle Code/Year	Part Number/ Location	Stud Center to Rod End	OEM Reference	Notes
	(F040) 1965-66	R230013 Curbside R230012 Roadside	6.50"	3864354 3864353	
	(F050) 1965-66	R230009 Curbside R230008 Roadside	5.84"	3864348 3864347	

A60**King Pin Kits**

Axle Rating Lbs.	Axle Code/Year	Part Number/ Bushing Type	King Pin Size	Type	OEM Reference	Notes
7000	1965	R200024 Nylon R200025 Bronze	1.249" x 7.888"	A	3927943	
9000	1965	R200011 Bronze R200022 Nylon	8.750"	D	2321013 8885021	Tapered pin.
11000	1965	R200123 Nylon R200144 Bronze	9.750"	D	2264897	Tapered pin.

Tie Rod Ends

Axle Rating Lbs.	Axle Code/Year	Part Number/ Location	Stud Center to Rod End	OEM Reference	Notes
7000	1965	R230013 Curbside R230012 Roadside	6.50"	3864354 3864353	
9000	1965	R230005 Curbside R230004 Roadside	3.88"	2330712 2330713	

A80, N80, Q80, V80**King Pin Kits**

Axle Rating Lbs.	Axle Code/Year	Part Number/ Bushing Type	King Pin Size	Type	OEM Reference	Notes
7000	1965	R200024 Nylon R200025 Bronze	1.249" x 7.888"	A	3927943	
9000	1965	R200011 Bronze R200022 Nylon	8.750"	D	8885021 2321013	Tapered pin.
11000	1965	R200123 Nylon R200144 Bronze	9.750"	D	2264897	Tapered pin.

Tie Rod Ends

Axle Rating Lbs.	Axle Code/Year	Part Number/ Location	Stud Center to Rod End	OEM Reference	Notes
7000	1965	R230013 Curbside R230012 Roadside	6.50"	3864354 3864353	
9000	1965	R230005 Curbside R230004 Roadside	3.88"	2330712 2330713	

GMC/CHEVROLET

B60, B6P, B6000

King Pin Kits

Axle Rating Lbs.	Axle Code/Year	Part Number/ Bushings Type	King Pin Size	Type	OEM Reference	Notes
6000	(F070) 1979-82	R200024 Nylon	1.249" x 7.888"	A	3927943	
		R200025 Bronze				
7000	(F070) 1979-91	R200024 Nylon	1.249" x 7.888"	A	3927943	
		R200025 Bronze				
7500	(F070) 1979-91	R200024 Nylon	1.249" x 7.888"	A	3927943	
		R200025 Bronze				
8100	(F090D) 1983-87	R200011 Bronze	8.750"	D	2321013	Tapered pin.
		R200022 Nylon			8885021	
9000	(F090) 1979-82	R200011 Bronze	8.750"	D	2321013	Tapered pin.
		R200022 Nylon			8885021	
	(F090) 1983-88	R200066 Bronze	1.745" x 9.380"	B	8885621	
	(F120D) 1979-92	R200066 Bronze				
12000	(F120) 1983-92	R200066 Bronze	1.745" x 9.380"	B	8885621	Second design.

Tie Rod Ends

Axle Rating Lbs.	Axle Code/Year	Part Number/ Location	Stud Center to Rod End	OEM Reference	Notes
6000	(F070D) 1979-82	R230035 Curbside	4.93"	462390	
		R230034 Roadside		462389	
7000, 7500	(F070) 1979-92	R230035 Curbside	4.93"	462390	
		R230034 Roadside		462389	
	(F070) 1988-92	R230210 Curbside	10.81"	15622069	
		R230209 Roadside		15622068	
8100	(F090) 1983-92	R230036 Curbside	4.875"	2037140	Has three piece grease retainer.
		R230037 Roadside		2037142	
9000	(F090) 1980-82	R230025 Curbside	4.875"	671489	Rubber dust boot.
		R230024 Roadside		671488	
	(F090), (F120D) 1979-92	R230036 Curbside	4.875"	2037140	Has three piece grease retainer.
		R230037 Roadside		2037142	
12000	(F120) 1980-82	R230025 Curbside	4.875"	671489	
		R230024 Roadside		671488	
	(F120) 1983-92	R230036 Curbside	4.875"	2037140	
		R230037 Roadside		2037142	

Drag Links

Axle Rating Lbs.	Axle Code/Year	Part Number	Stud Center to Stud Center	OEM Reference	Notes
6000	(F070) 1979-82	R250001	17.00"	718797, 15506689	
7000	(F070) 1979-91	R250001	17.00"	718797, 15506689	
7000, 7500	(F070) 1988-91	R250102	17.53"	15622066	
8100	(F090D) 1983-88	R250053	17.96"	718798	
9000	(F090) 1979-88	R250053	17.96"	718798	
	(F120D) 1979-91	R250053	17.96"	718798	
	(F120D) 1988-91	R250103	18.50"	15625713	
12000	(F120) 1979-90	R250053	17.96"	718798	

B70, C7500, Kodiak, TopKick

King Pin Kits

Axle Rating Lbs.	Axle Code/Year	Part Number/ Bushings Type	King Pin Size	Type	OEM Reference	Notes
7000	(F070) 1979-92	R200024 Nylon	1.249" x 7.888"	A	3927943	
		R200025 Bronze				
8100	(F090D) 1984-92	R200066 Bronze	1.745" x 9.380"	B	8885621	
9000	(F090) 1979-87	R200011 Bronze	8.750"	D	2321013	Tapered pin.
		R200022 Nylon			8885021	
	(F120D) 1979-90	R200066 Bronze	1.745" x 9.380"	B	8885621	
12000	(F120) 1979-90	R200066 Bronze	1.745" x 9.380"	B	8885621	

GMC/CHEVROLET

B70, C7500, Kodiak, TopKick (Continued)

Tie Rod Ends

Axle Rating Lbs.	Axle Code/Year	Part Number/ Location	Stud Center to Rod End	OEM Reference	Notes	
7000	(F070) 1979-90	R230035 Curbside	4.93"	462390		
		R230034 Roadside		462389		
	(F070) 1988-92	R230210 Curbside	10.81"	15622069		
		R230209 Roadside		15622068		
8100	(F090) 1983-87	R230035 Curbside	4.93"	462390		
		R230034 Roadside		462389		
	(FL1) 1994-99	R230144 Curbside	5.44"	12548111		Second Design
		R230143 Roadside		12548110		
9000	(F090) 1979-82	R230025 Curbside	4.875"	671489	Except 2035126 axle assembly. Rubber dust boot.	
		R230024 Roadside		671488		
	(F090) 1979-92	R230036 Curbside	4.875"	2037140	For 2035126 axle assembly. Has three piece grease retainer.	
		R230037 Roadside		2037142		
	(F120D) 1980-85	R230025 Curbside	4.875"	671489	Rubber dust boot.	
		R230024 Roadside		671488		
	(F120D) 1983-92	R230036 Curbside	4.875"	2037140	Has three piece grease retainer.	
		R230037 Roadside		2037142		
9000, 11000, 12000, 14000	(F43), (FL2), (FS7), (FH0), (FL3) 1990-00	R230142 Curbside	5.44"	12548108		
		R230141 Roadside		12548107		
12000	(F120) 1979-86	R230025 Curbside	4.875"	671489	Rubber dust boot.	
		R230024 Roadside		671488		
	(F120) 1983-92	R230036 Curbside	4.875"	2037140	Has three piece grease retainer.	
		R230037 Roadside		2037142		
16000	(FH4) 1993-00	R230073 Curbside	7.37"	12541320		
		R230072 Roadside		12541319		

Drag Links

Axle Rating Lbs.	Axle Code/Year	Part Number	Stud Center to Stud Center	OEM Reference	Notes
7000	(F070) 1979-92	R250001	17.00"	71897, 15506689	1979-82 All; 1983-88 w/Saginaw power steering; 1988-92 w/power steering except Saginaw.
	(F070) 1988-92	R250102	17.53"		w/Saginaw power steering.
8100	(F090D) 1983-87	R250053	17.96"	718798	
9000	(F090) 1979-88	R250053	17.96"	718798	
	(F090D) 1979-90	R250053	17.96"	718798	Except Saginaw power steering.
	(F120D) 1988-90	R250103	18.50"	15625713	w/Saginaw power steering.
12000	(F120) 1979-90	R250052	17.93"	718796	Use w/power ram cylinder.
	(F120) 1988-92	R250104	18.58"	15622057	w/Power steering, use power ram cylinder.

Bison, General, N9E, N9F

King Pin Kits

Axle Rating Lbs.	Axle Code/Year	Part Number/ Bushing Type	King Pin Size	Type	OEM Reference	Notes
9000, 10860	(F120D) 1979-80	R200066 Bronze	1.745" x 9.380"	B	8885621	
12000	(F120) 1975-87	R200066 Bronze	1.745" x 9.380"	B	8885621	
		(FF931) 1979-87				
	(FF933) 1979-80	R201307 Easy Steer	1.794" x 10.392"	B	2010021	
		R200195 Bronze				
16000, 18000	(FL931) 1977-88	R201307 Easy Steer	1.999" x 11.212"	B	2036352	
		R200198 Bronze				
18000	(FL941) 1979-87	R200198 Bronze	1.999" x 11.212"	B	2036352	
		R201312 Easy Steer				

GMC/CHEVROLET

Bison, General, N9E, N9F (Continued)

Tie Rod Ends

Axle Rating Lbs.	Axle Code/Year	Part Number/ Location	Stud Center to Rod End	OEM Reference	Notes
9000, 10860	(F120D) 1979-80	R230036 Curbside	4.875"	2037140	Has three piece grease retainer.
		R230037 Roadside		2037142	
12000	(F120) 1977-87	R230036 Curbside	4.875"	2037140	Has three piece grease retainer.
		R230037 Roadside		2037142	
		R230025 Curbside	4.875"	671489	w/Axle models 2015558, 559, 580; 2019775; 2030613. Rubber dust boot.
		R230024 Roadside		671488	
	(FF931) 1979-87	R230069 Curbside	5.44"	698572	
		R230068 Roadside		698571	
	(FF933) 1977-80	R230025 Curbside	4.875"	671489	w/Axle models 2015558, 559, 580; 2019775; 2030613. Rubber dust boot.
		R230024 Roadside		671488	
		R230069 Curbside	5.44"	698572	
		R230068 Roadside		698571	
	(FF933) 1979-80	R230036 Curbside	4.875"	2037140	Has three piece grease retainer.
		R230037 Roadside		2037142	
(FF941) 1986-87	R230069 Curbside	5.44"	698572, 15515805		
	R230068 Roadside		698571, 15515804		
16000	(FL931) 1977-87	R230073 Curbside	7.37"	798203	use w/794290; 2025885 axles.
		R230072 Roadside		798204	
18000	(FL931) 1979-87	R230073 Curbside	7.37"	798203	
		R230072 Roadside		798204	
	(FL941) 1979-87	R230073 Curbside	7.37"	798203	
		R230072 Roadside		798204	

Drag Links

Axle Rating Lbs.	Axle Code/Year	Part Number	Stud Center to Stud Center	OEM Reference	Notes
9000, 10860	(F120D) 1979-80	R250026	17.70"	669335	w/Power steering.
		R250054	17.90"	684196	w/Manual steering.
12000	(F120) 1977-84	R250345	16.89"	15501673	w/Ross power steering 1983-87.
		R250026		669335	w/Saginaw power steering 1983-84.
		R250054	17.90"	684196	w/Manual steering 1983-85.
		R250345		15501673	w/Ross or Sheppard pwr. strg. 1983-87.
	(F120) 1977-87	R250026	17.70"	669335	w/Saginaw power steering.
		R250054		684196	w/Manual steering.
	(FF931) 1979-84	R250026	17.70"	669335	w/Power steering.
	(FF931) 1983	R250026	17.70"	669335	w/Power steering.
	(FF933) 1977-84	R250026	17.90"	669335	w/Power steering.
		R250054		684196	w/Manual steering.
	(FF941) 1986-87	R250345	16.89"	15501673	w/Ross or Sheppard pwr. strg. 1983-87.
	16000	(FL931) 1977-84	R250026	17.70"	669335
18000	(FL931) 1979-84	R250026	17.70"	669335	w/Power steering - LH.
	(FL931) 1983-87	R250345	16.89"	15501673	w/Ross or Sheppard pwr. steering - LH.
		R250346		15501674	w/Sheppard power steering - RH.
	(FL941) 1977-84	R250026	17.70"	669335	w/Saginaw power steering.
	(FL941) 1983-87	R250345	16.89"	15501673	w/Ross or Sheppard pwr. steering - LH.
		R250346		15501674	w/Sheppard power steering - RH.
	(FL941) 1984-87	R250345	16.89"	15501673	w/Ross or Sheppard pwr. steering - LH.
		R250346		15501674	w/Sheppard power steering - RH.

GMC/CHEVROLET

Bruin, Brigadier, J8C, J9C

King Pin Kits

Axle Rating Lbs.	Axle Code/Year	Part Number/ Bushing Type	King Pin Size	Type	OEM Reference	Notes
7000	(F070) 1979-88	R200024 Nylon	1.249" x 7.888"	A	3927943	
		R200025 Bronze				
9000	(F090) 1979-84	R200011 Bronze	8.750"	D	2321013	Tapered pin.
		R200022 Nylon			8885021	
	(F120D) 1979-82	R200066 Bronze	1.745" x 9.380"	B	8885621	
10860	(F120D) 1979-82	R200066 Bronze	1.745" x 9.380"	B	8885621	
12000	(F120) 1979-88	R200066 Bronze	1.745" x 9.380"	B	8885621	
		(FF941) 1985-87			R201307 Easy Steer	
16000	(FL931) 1979-88	R200198 Bronze	1.999" x 11.212"	B	2036352	
		R201312 Easy Steer			15585841	
18000	(FL931), (FL941) 1979-88	R200198 Bronze	1.999" x 11.212"	B	2036352	
		R201312 Easy Steer			15585841	

Tie Rod Ends

Axle Rating Lbs.	Axle Code/Year	Part Number/ Location	Stud Center to Rod End	OEM Reference	Notes
7000	(F070) 1979-84	R230035 Curbside	4.93"	462390	
		R230034 Roadside		462389	
9000	(F090) 1979-88	R230036 Curbside	4.875"	2037140	
		R230037 Roadside		2037142	
	(F120D) 1979-88	R230036 Curbside	4.875"	2037140	
		R230037 Roadside		2037142	
10860	(F120D) 1979-88	R230036 Curbside	4.875"	2037140	
		R230037 Roadside		2037142	
12000	(F120) 1979-88	R230036 Curbside	4.875"	2037140	
		R230037 Roadside		2037142	
	(FF941) 1979-88	R230069 Curbside	5.44"	698572	
		R230068 Roadside		698571	
13200	(FF932) 1979-88	R230069 Curbside	5.44"	698572	
		R230068 Roadside		698571	
16000	(FL931) 1979-88	R230073 Curbside	7.37"	798203	
		R230072 Roadside		798204	
18000	(FL931), (FL941) 1979-88	R230073 Curbside	7.37"	798203	
		R230072 Roadside		798204	

Drag Links

Axle Rating Lbs.	Axle Code/Year	Part Number	Stud Center to Stud Center	OEM Reference	Notes
9000	(F090), (F120D) 1979-88	R250026	17.70"	669335	w/Power steering.
		R250054	17.90"	684196	w/Manual steering.
10860	(F120D) 1979-88	R250026	17.70"	669335	w/Power steering.
		R250054	17.90"	684196	w/Manual steering.
12000	(F120) 1979-82	R250345	16.89"	15501673	w/Ross power steering.
	(F120) 1979-88	R250026	17.70"	669335	w/Power steering.
		R250054	17.90"	684196	w/Manual steering.
	(FF931) 1983-84	R250054	17.90"	684196	w/Manual steering.
	(FF941) 1983-84	R250054	17.90"	684196	w/Manual steering.
(FF941) 1985-87	R250345	16.89"	15501673	w/Sheppard power steering.	
13200	(FF932) 1979-88	R250026	17.70"	669335	w/Power steering - LH.
16000	(FL931) 1979-88	R250026	17.70"	669335	w/Power steering - LH.
		R250345	16.89"	15501673	w/Sheppard power steering.
	(FL931) 1985-87	R250346		15501674	
18000	(FL931) 1979-88	R250026	17.70"	669335	w/Power steering - LH.
	(FL931), (FL941) 1985-87	R250345	16.89"	15501673	w/Sheppard power steering.
		R250346		15501674	
	(FL941) 1979-80	R250026	17.70"	669335	w/Power steering - LH.

GMC/CHEVROLET

C40

King Pin Kits

Axle Rating Lbs.	Axle Code/Year	Part Number/ Bushings Type	King Pin Size	Type	OEM Reference	Notes
4000	(F040) 1967-70	R200226 Bronze	0.921" x 5.640"	A	3854008	
5000	(F050) 1964-72	R200026 Nylon	1.109" x 6.343"	A	3927942	
		R200027 Bronze				
7000	1967-70	R200226 Bronze	0.921" x 5.640"	A	3854008	
	1971-72	R200024 Nylon	1.249" x 7.888"	A	3927943	
		R200025 Bronze				

Tie Rod Ends

Axle Rating Lbs.	Axle Code/Year	Part Number/ Location	Stud Center to Rod End	OEM Reference	Notes
5000	(F050) 1964-72	R230009 Curbside	5.84"	3864348	
		R230008 Roadside		3864347	
7000	1971-72	R230013 Curbside	6.50"	3864354	
		R230012 Roadside		3864353	

C50, C5D, C5000, E5500, H5500, C4500, E4500

King Pin Kits

Axle Rating Lbs.	Axle Code/Year	Part Number/ Bushings Type	King Pin Size	Type	OEM Reference	Notes
4000	1963-66	R200226 Bronze	0.921" x 5.640"	A	3854008	
5000	(F050) 1975-92	R200045 Nylon	1.179" x 6.360"	A	722166	From 1975, second design.
		R200046 Bronze				
	1964	R200026 Nylon	1.109" x 6.343"	A	3927942	Second design w/thrust bearing.
5000/5500	1965-75	R200026 Nylon	1.109" x 6.343"	A	3927942	
		R200027 Bronze				
5000	1973-75	R200001 Bronze	1.109" x 6.344"	A	3854744	Before 1975, second design.
		R200002 Bronze	1.119" x 6.344"			
7000	(F070) 1971-75	R200024 Nylon	1.249" x 7.888"	A	3927943	
		R200025 Bronze				

Tie Rod Ends

Axle Rating Lbs.	Axle Code/Year	Part Number/ Location	Stud Center to Rod End	OEM Reference	Notes
5000	(F050) 1978-90	R230035 Curbside	4.93"	462390	
		R230034 Roadside		462389	
5000/5500	1963-77	R230009 Curbside	5.84"	3864348	
		R230008 Roadside		3864347	
7000	(F070) 1971-75	R230013 Curbside	6.50"	3864354	
		R230012 Roadside		3864353	

Drag Links

Axle Rating Lbs.	Axle Code/Year	Part Number	Stud Center to Stud Center	OEM Reference	Notes
5000	(F050) 1975-90	R250001	17.00"	718797, 15506689	From 1975, second design.
7000	(F070) 1979-80	R250001	17.00"	718797, 15506689	

GMC/CHEVROLET
C5500, Kodiak, TopKick
King Pin Kits

Axle Rating Lbs.	Axle Code/Year	Part Number/ Bushing Type	King Pin Size	Type	OEM Reference	Notes
4000	1963-66	R200226 Bronze	0.921" x 5.640"	A	3854008	
5000	(F050) 1975-92	R200045 Nylon	1.179" x 6.360"	A	722166	From 1975, second design.
		R200046 Bronze				
	1964	R200026 Nylon	1.109" x 6.343"	A	3927942	Second design w/thrust bearing.
		R200027 Bronze				
5000/5500	1965-75	R200026 Nylon	1.109" x 6.343"	A	3927942	
		R200027 Bronze				
5000	1973-75	R200001 Bronze	1.109" x 6.344"	A	3854744	Before 1975, second design.
		R200002 Bronze	1.119" x 6.344"		3854745	.01 oversize. Before 1975, second design.
7000	(F070) 1971-75	R200024 Nylon	1.249" x 7.888"	A	3927943	
		R200025 Bronze				

Tie Rod Ends

Axle Rating Lbs.	Axle Code/Year	Part Number/ Location	Stud Center to Rod End	OEM Reference	Notes
5000	(F050) 1978-90	R230035 Curbside	4.93"	462390	
		R230034 Roadside		462389	
5000/5500	1963-77	R230009 Curbside	5.84"	3864348	
		R230008 Roadside		3864347	
7000	(F070) 1971-75	R230013 Curbside	6.50"	3864354	
		R230012 Roadside		3864353	
8100	(FL1) 1994-99	R230144 Curbside	5.44"	12548111	Second Design
		R230143 Roadside		12548110	
9000, 11000, 12000, 14000	(F43), (FL2), (FS7), (FH0), (FL3) 1990-00	R230142 Curbside	5.44"	12548108	
		R230141 Roadside		12548107	
16000	(FH4) 1993-00	R230073 Curbside	7.37"	12541320	
		R230072 Roadside		12541319	

Drag Links

Axle Rating Lbs.	Axle Code/Year	Part Number	Stud Center to Stud Center	OEM Reference	Notes
5000	(F050) 1975-90	R250001	17.00"	718797, 15506689	From 1975, second design.
7000	(F070) 1979-80	R250001	17.00"	718797, 15506689	

C60, C6D, C6000, C6H042, Kodiak, TopKick
King Pin Kits

Axle Rating Lbs.	Axle Code/Year	Part Number/ Bushing Type	King Pin Size	Type	OEM Reference	Notes
5000	(F050) 1975-90	R200045 Nylon	1.179" x 6.360"	A	722166	Second design.
		R200046 Bronze				
	1964-72	R200026 Nylon	1.109" x 6.343"	A	3927942	First design.
		R200027 Bronze				
	1973-75	R200001 Bronze	1.109" x 6.344"	A	3854744	
		R200002 Bronze	1.119" x 6.344"	A	3854745	
7000	(F070) 1964-90	R200024 Nylon	1.249" x 7.888"	A	3927943	
		R200025 Bronze				
8100	(F090D) 1984-92	R200066 Bronze	1.745" x 9.380"	B	8885621	
9000	(F090) 1963-87	R200011 Bronze	8.750"	D	2321013	Tapered pin.
		R200022 Nylon			8885021	
	(F120D) 1983-92	R200066 Bronze	1.745" x 9.380"	B	8885621	
		R200066 Bronze				

GMC/CHEVROLET

C60, C6D, C6000, C6H042, Kodiak, TopKick (Continued)

Tie Rod Ends

Axle Rating Lbs.	Axle Code/Year	Part Number/ Location	Stud Center to Rod End	OEM Reference	Notes
5000	(F050) 1978-92	R230035 Curbside	4.93"	462390	
		R230034 Roadside		462389	
	1963-77	R230009 Curbside	5.84"	3864348	
		R230008 Roadside		3864347	
7000	(F070) 1978-90	R230035 Curbside	4.93"	462390	
		R230034 Roadside		462389	
	(F070) 1988-92	R230210 Curbside	10.81"	15622069	
		R230209 Roadside		15622068	
	1963-77	R230013 Curbside	6.50"	3864354	
		R230012 Roadside		3864353	
8100	(F090) 1984-92	R230036 Curbside	4.875"	2037140	Has three piece grease retainer.
		R230037 Roadside		2037142	
9000	(F090), (F120D) 1979-82	R230025 Curbside	4.875"	671489	Rubber dust boot.
		R230024 Roadside		671488	
	(F090), (F120D) 1983-92	R230036 Curbside	4.875"	2037140	Has three piece grease retainer.
		R230037 Roadside		2037142	
	1963-66	R230005 Curbside	3.88"	2330712	
		R230004 Roadside		2330713	
12000	(F120) 1979-82	R230025 Curbside	4.875"	671489	Rubber dust boot.
		R230024 Roadside		671488	
	(F120) 1983-92	R230036 Curbside	4.875"	2037140	Has three piece grease retainer.
		R230037 Roadside		2037142	

Drag Links

Axle Rating Lbs.	Axle Code/Year	Part Number	Stud Center to Stud Center	OEM Reference	Notes
5000	(F050) 1975-92	R250001	17.00"	718797, 15506689	From 1975, second design.
7000	(F070) 1975-92	R250001	17.00"	718797, 15506689	1983-88 power steering exc. Saginaw.
		(F070) 1988-92	R250102	17.53"	15622066
8100	(F090D) 1983-87	R250053	17.96"	718798	
9000	(F090) 1979-88	R250053	17.96"	718798	1979-87 All; 1988-92 except Saginaw power steering.
	(F120D) 1979-92	R250053	17.96"	718798	
	(F120D) 1988-92	R250103	18.50"	15625713	
12000	(F120) 1988-90	R250104	18.58"	15622057	w/Power steering and ram cylinder.
	(F120D) 1983-90	R250052	17.93"	718796	Except ram cylinder.
		R250053	17.96"	718798	
	(F120D) 1988-90	R250103	18.50"	15625713	

C65, E6500

King Pin Kits

Axle Rating Lbs.	Axle Code/Year	Part Number/ Bushing Type	King Pin Size	Type	OEM Reference	Notes
7000	(F070) 1973-78	R200024 Nylon	1.249" x 7.888"	A	3927943	
		R200025 Bronze				
9000	(F090) 1973-78	R200011 Bronze	8.750"	D	2321013	Tapered pin.
		R200022 Nylon			8885021	
	(F120D) 1975-78	R200066 Bronze	1.745" x 9.380"	B	8885621	
11000	(F110) 1969-72	R200123 Nylon	9.750"	D	2264897	Tapered pin.
		R200144 Bronze				
12000	(F120) 1973-75	R200123 Nylon	9.750"	D	2264897	Tapered pin.
		R200144 Bronze				
	(F120) 1975-78	R200066 Bronze	1.745" x 9.380"	B	8885621	

GMC/CHEVROLET

C65, E6500 (Continued)

Tie Rod Ends

Axle Rating Lbs.	Axle Code/Year	Part Number/ Location	Stud Center to Rod End	OEM Reference	Notes	
7000	(F070) 1973-78	R230013 Curbside	6.50"	3864354		
		R230012 Roadside		3864353		
9000	(F090), (F120D) 1975-78	R230025 Curbside	4.875"	671489	Rubber dust boot.	
		R230024 Roadside		671488		
	(F120D) 1973-74	R230005 Curbside	3.88"	2330712		
R230004 Roadside	2330713					
12000	(F120) 1973-78	R230025 Curbside	4.875"	671489		
		R230024 Roadside		671488		
	(F120) 1975-78	R230036 Curbside	4.875"	2037140, 2007728		w/Axle models 718934, 36, 37; 719597; 2000763; 2002084, 85, 86, 87. Has three piece grease retainer.
		R230037 Roadside		2037142, 2007731		

Drag Links

Axle Rating Lbs.	Axle Code/Year	Part Number	Stud Center to Stud Center	OEM Reference	Notes
7000	(F070) 1975-78	R250001	17.00"	718797, 15506689	
9000	(F090) 1973-78	R230405	3.12" Stud center to rod end	3892946	Power steering cylinder end.
		R250052	17.93"	718796	
	(F090) 1975-78	R250053	17.96"	718798	Second design.
	(F120D) 1975-78	R250001	17.00"	718797	Second design. CD65-1978 only.
R250053		17.96"	718798	Second design.	
12000	(F120) 1975-78	R230405	3.12" Stud center to rod end	3892946	Second design. Power steering cylinder end.
		R250001	17.00"	718797	Second design. CD65-1978 only.
		R250053	17.96"	718798	Second design.

C6500, Kodiak, TopKick

King Pin Kits

Axle Rating Lbs.	Axle Code/Year	Part Number/ Bushing Type	King Pin Size	Type	OEM Reference	Notes
7000	(F070) 1973-78	R200024 Nylon	1.249" x 7.888"	A	3927943	
		R200025 Bronze				
9000	(F090) 1973-78	R200011 Bronze	8.750"	D	2321013	Tapered pin.
		R200022 Nylon			8885021	
	(F120D) 1975-78	R200066 Bronze	1.745" x 9.380"	B	8885621	
11000	(F110) 1969-72	R200123 Nylon	9.750"	D	2264897	Tapered pin.
		R200144 Bronze				
12000	(F120) 1973-75	R200123 Nylon	9.750"	D	2264897	Tapered pin.
		R200144 Bronze				
	(F120) 1975-78	R200066 Bronze	1.745" x 9.380"	B	8885621	

Tie Rod Ends

Axle Rating Lbs.	Axle Code/Year	Part Number/ Location	Stud Center to Rod End	OEM Reference	Notes	
7000	(F070) 1973-78	R230013 Curbside	6.50"	3864354		
		R230012 Roadside		3864353		
8100	(FL1) 1994-99	R230144 Curbside	5.44"	12548111	Second Design	
		R230143 Roadside		12548110		
9000	(F090), (F120D) 1975-78	R230025 Curbside	4.875"	671489	Rubber dust boot.	
		R230024 Roadside		671488		
	(F120D) 1973-74	R230005 Curbside	3.88"	2330712		
R230004 Roadside	2330713					
9000, 11000, 12000, 14000	(F43), (FL2), (FS7), (FH0), (FL3) 1990-00	R230142 Curbside	5.44"	12548108		
		R230141 Roadside		12548107		
12000	(F120) 1973-78	R230025 Curbside	4.875"	671489		
		R230024 Roadside		671488		
	(F120) 1975-78	R230036 Curbside	4.875"	2037140, 2007728		w/Axle models 718934, 36, 37; 719597; 2000763; 2002084, 85, 86, 87. Has three piece grease retainer.
		R230037 Roadside		2037142, 2007731		
16000	(FH4) 1993-00	R230073 Curbside	7.37"	12541320		
		R230072 Roadside		12541319		

GMC/CHEVROLET

C6500, Kodiak, TopKick (Continued)

Drag Links

Axle Rating Lbs.	Axle Code/Year	Part Number	Stud Center to Stud Center	OEM Reference	Notes
7000	(F070) 1975-78	R250001	17.00"	718797, 15506689	
9000	(F090) 1973-78	R230405	3.12" Stud center to rod end	3892946	Power steering cylinder end.
		R250052	17.93"	718796	
	(F090) 1975-78	R250053	17.96"	718798	Second design.
	(F120D) 1975-78	R250001	17.00"	718797	Second design. CD65-1978 only.
R250053		17.96"	718798	Second design.	
12000	(F120) 1975-78	R230405	3.12" Stud center to rod end	3892946	Second design. Power steering cylinder end.
		R250001	17.00"	718797	Second design. CD65-1978 only.
		R250053	17.96"	718798	Second design.

C70, C7D, C7H042, C7H064, Kodiak, TopKick

King Pin Kits

Axle Rating Lbs.	Axle Code/Year	Part Number/ Bushings Type	King Pin Size	Type	OEM Reference	Notes
7000	(F070) 1979-92	R200024 Nylon	1.249" x 7.888"	A	3927943	
		R200025 Bronze				
8100	(F090D) 1984-92	R200066 Bronze	1.745" x 9.380"	B	8885621	
9000	(F090) 1979-87	R200011 Bronze	8.750"	D	2321013	Tapered pin.
		R200022 Nylon			8885021	
12000	(F120D) 1979-90	R200066 Bronze	1.745" x 9.380"	B	8885621	
		(F120) 1979-90	R200066 Bronze	1.745" x 9.380"	B	8885621

Tie Rod Ends

Axle Rating Lbs.	Axle Code/Year	Part Number/ Location	Stud Center to Rod End	OEM Reference	Notes
7000	(F070) 1979-90	R230035 Curbside	4.93"	462390	
		R230034 Roadside		462389	
	(F070) 1988-92	R230210 Curbside	10.81"	15622069	
		R230209 Roadside		15622068	
8100	(F090) 1983-87	R230035 Curbside	4.93"	462390	
		R230034 Roadside		462389	
9000	(F090) 1979-82	R230025 Curbside	4.875"	671489	Except 2035126 axle assembly. Rubber dust boot.
		R230024 Roadside		671488	
	(F090) 1979-92	R230036 Curbside	4.875"	2037140	For 2035126 axle assembly. Has three piece grease retainer.
		R230037 Roadside		2037142	
	(F120D) 1980-85	R230025 Curbside	4.875"	671489	Rubber dust boot.
		R230024 Roadside		671488	
	(F120D) 1983-92	R230036 Curbside	4.875"	2037140	Has three piece grease retainer.
		R230037 Roadside		2037142	
12000	(F120) 1979-86	R230025 Curbside	4.875"	671489	Rubber dust boot.
		R230024 Roadside		671488	
	(F120) 1983-92	R230036 Curbside	4.875"	2037140	Has three piece grease retainer.
		R230037 Roadside		2037142	

Drag Links

Axle Rating Lbs.	Axle Code/Year	Part Number	Stud Center to Stud Center	OEM Reference	Notes
7000	(F070) 1979-92	R250001	17.00"	71897, 15506689	1979-82 All; 1983-88 w/Saginaw power steering; 1988-92 w/power steering except Saginaw.
		(F070) 1988-92			
8100	(F090D) 1983-87	R250053	17.96"	718798	
9000	(F090) 1979-88	R250053	17.96"	718798	
	(F090D) 1979-90	R250053	17.96"	718798	Except Saginaw power steering.
12000	(F120D) 1988-90	R250103	18.50"	15625713	w/Saginaw power steering.
		(F120) 1979-90	R250052	17.93"	718796
	(F120) 1988-92	R250104	18.58"	15622057	w/Power steering, use power ram cylinder.

GMC/CHEVROLET
C8500, Kodiak, TopKick

Tie Rod Ends

Axle Rating Lbs.	Axle Code/Year	Part Number/ Location	Stud Center to Rod End	OEM Reference	Notes
8100	(FL1) 1994-99	R230144 Curbside	5.44"	12548111	Second Design
		R230143 Roadside		12548110	
9000, 11000, 12000, 14000	(F43), (FL2), (FS7), (FH0), (FL3) 1990-00	R230142 Curbside	5.44"	12548108	
		R230141 Roadside		12548107	
16000	(FH4) 1993-00	R230073 Curbside	7.37"	12541320	
		R230072 Roadside		12541319	

C9500

King Pin Kits

Axle Rating Lbs.	Axle Code/Year	Part Number/ Bushing Type	King Pin Size	Type	OEM Reference	Notes
9000	(F090) 1963-69	R200011 Bronze	8.750"	D	2321013	Tapered pin.
		R200022 Nylon			8885021	
12000	(F120) 1973-78	R200123 Nylon	9.750"	D	2264897	Tapered pin.
		R200144 Bronze				
15000	(F150) 1963-69	R200146 Nylon	10.688"	D	2394913, 2407799	Tapered pin.
		R200153 Bronze				

Tie Rod Ends

Axle Rating Lbs.	Axle Code/Year	Part Number/ Location	Stud Center to Rod End	OEM Reference	Notes
9000	(F090) 1963-69	R230005 Curbside	3.88"	2330712	
		R230004 Roadside		2330713	

D50

King Pin Kits

Axle Rating Lbs.	Axle Code/Year	Part Number/ Bushing Type	King Pin Size	Type	OEM Reference	Notes
4000	1965-66	R200226 Bronze	0.921" x 5.640"	A	3854008	
5000	1965-66	R200026 Nylon	1.109" x 6.343"	A	3927942	
		R200027 Bronze				

Tie Rod Ends

Axle Rating Lbs.	Axle Code/Year	Part Number/ Location	Stud Center to Rod End	OEM Reference	Notes
5000	1965-66	R230009 Curbside	5.84"	3864348	
		R230008 Roadside		3864347	

D60

King Pin Kits

Axle Rating Lbs.	Axle Code/Year	Part Number/ Bushing Type	King Pin Size	Type	OEM Reference	Notes
5000	1964-70	R200026 Nylon	1.109" x 6.343"	A	3927942	From 1964, second design.
		R200027 Bronze				
7000	1964-70	R200024 Nylon	1.249" x 7.888"	A	3927943	From 1964, second design.
		R200025 Bronze				
9000	1963-70	R200011 Bronze	8.750"	D	2321013	Tapered pin.
		R200022 Nylon			8885021	
11000	1965-70	R200123 Nylon	9.750"	D	2264897	Tapered pin.
		R200144 Bronze				

GMC/CHEVROLET

D60 (Continued)

Tie Rod Ends

Axle Rating Lbs.	Axle Code/Year	Part Number/ Location	Stud Center to Rod End	OEM Reference	Notes
5000	1963-70	R230009 Curbside	5.84"	3864348	
		R230008 Roadside		3864347	
7000	1963-70	R230013 Curbside	6.50"	3864354	
		R230012 Roadside		3864353	
9000	1963-70	R230005 Curbside	3.88"	2330712	
		R230004 Roadside		2330713	

D90, D9500

King Pin Kits

Axle Rating Lbs.	Axle Code/Year	Part Number/ Bushing Type	King Pin Size	Type	OEM Reference	Notes
9000	(F090) 1963-69	R200011 Bronze	8.750"	D	2321013	Tapered pin.
		R200022 Nylon			8885021	
11000	(F110) 1963-69	R200123 Nylon	9.750"	D	2264897	Tapered pin.
		R200144 Bronze				
12000	(F120) 1975-78	R200066 Bronze	1.745" x 9.380"	B	8885621	
		R200123 Nylon	9.750"	D	2264897	
	(F120), (FE970) 1970-74	R200144 Bronze	1.607" x 8.740"	B	2442145	Center point steering.
		R200156 Nylon				Center point steering.
(FE970) 1966-68	R200157 Bronze				Contains dust cap and screws.	
					Tapered pin.	
16000	(F160) 1970-72	R200146 Nylon	10.688"	D	2394913, 2407799	Tapered pin.
		R200153 Bronze				
16000, 18000	(FL901) 1969-78	R200168 Nylon	1.999" x 11.040"	B	2452865	
		R200170 Bronze				
16000	(FL931) 1973-78	R200198 Bronze	1.999" x 11.212"	B	2036352	
		R201312 Easy Steer			15585841	

Tie Rod Ends

Axle Rating Lbs.	Axle Code/Year	Part Number/ Location	Stud Center to Rod End	OEM Reference	Notes
9000	(F090) 1963-69	R230005 Curbside	3.88"	2330712	
		R230004 Roadside		2330713	
12000	(F120) 1970-75	R230025 Curbside	4.875"	671489	Before 1975 second design.
		R230024 Roadside		671488	Rubber dust boot.
	(F120) 1975-78	R230036 Curbside	4.875"	2037140	From 1975 second design.
		R230037 Roadside		2037142	Has three piece grease retainer.
	(FE900) 1970-72	R230061 Curbside	4.875"	2456811	
		R230060 Roadside		2456810	
16000	(F160) 1970-72	R230025 Curbside	4.875"	671489	Rubber dust boot.
		R230024 Roadside		671488	
16000, 18000	(FL901)	R230070 Curbside	5.75"	2452860	
		R230071 Roadside		2452861	
16000	(FL931) 1973-74	R230070 Curbside	5.75"	2452860	
		R230071 Roadside		2452861	
	(FL931) 1975-78	R230073 Curbside	7.37"	798203	
		R230072 Roadside		798204	

Drag Links

Axle Rating Lbs.	Axle Code/Year	Part Number	Stud Center to Stud Center	OEM Reference	Notes
	(All)	R250054	17.90"	684196	Color coded white.

F90

King Pin Kits

Axle Rating Lbs.	Axle Code/Year	Part Number/ Bushing Type	King Pin Size	Type	OEM Reference	Notes
12000	(F120) 1975-78	R200066 Bronze	1.745" x 9.380"	B	8885621	Tapered pin.
		R200123 Nylon	9.750"	D	2264897	
		R200144 Bronze				

GMC/CHEVROLET

F90 (Continued)

Tie Rod Ends

Axle Rating Lbs.	Axle Code/Year	Part Number/ Location	Stud Center to Rod End	OEM Reference	Notes
12000	(F120) 1970-75	R230025 Curbside	4.875"	671489	Before 1975 second design. Rubber dust boot.
		R230024 Roadside		671488	
	(F120) 1975-78	R230036 Curbside	4.875"	2037140	From 1975 second design. Has three piece grease retainer.
		R230037 Roadside		2037142	
	(FE900) 1970-72	R230061 Curbside	4.875"	2456811	
		R230060 Roadside		2456810	

Drag Links

Axle Rating Lbs.	Axle Code/Year	Part Number	Stud Center to Stud Center	OEM Reference	Notes
12000	(All)	R250054	17.90"	684196	Color coded white.

F9500

King Pin Kits

Axle Rating Lbs.	Axle Code/Year	Part Number/ Bushing Type	King Pin Size	Type	OEM Reference	Notes
9000	(F090) 1963-69	R200011 Bronze	8.750"	D	2321013	Tapered pin.
		R200022 Nylon			8885021	
11000	(F110) 1963-69	R200123 Nylon	9.750"	D	2264897	Tapered pin.
		R200144 Bronze				
12000	(F120) 1963-74	R200123 Nylon	9.750"	D	2264897	Tapered pin.
		R200144 Bronze				
	(FE970) 1966-68	R200156 Nylon	1.607" x 8.740"	B	2442145	Center point steering. Center point steering. Contains dust cap and screws.
		R200157 Bronze				
16000	(F160) 1966-72	R200146 Nylon	10.688"	D	2407799	Tapered pin.
		R200153 Bronze				

Tie Rod Ends

Axle Rating Lbs.	Axle Code/Year	Part Number/ Location	Stud Center to Rod End	OEM Reference	Notes
9000	(F090) 1963-69	R230005 Curbside	3.88"	2330712	
		R230004 Roadside		2330713	
12000	(F120) 1970-74	R230025 Curbside	4.875"	671489	Rubber dust boot.
		R230024 Roadside		671488	
	(F120) 1975-78	R230036 Curbside	4.875"	2007728	Has three piece grease retainer.
		R230037 Roadside		2007731	
16000	(F160) 1970-72	R230025 Curbside	4.875"	671489	Rubber dust boot.
		R230024 Roadside		671488	

Drag Links

Axle Rating Lbs.	Axle Code/Year	Part Number	Stud Center to Stud Center	OEM Reference	Notes
12000	All 1973-78	R250054	17.90"	684196	Color coded white.

H70, H7500

King Pin Kits

Axle Rating Lbs.	Axle Code/Year	Part Number/ Bushing Type	King Pin Size	Type	OEM Reference	Notes
7000	(F070) 1966-78	R200024 Nylon	1.249" x 7.888"	A	3927943	
		R200025 Bronze				
9000	(F090) 1966-78	R200011 Bronze	8.750"	D	2321013	Tapered pin.
		R200022 Nylon			8885021	
11000	(F110) 1966-72	R200123 Nylon	9.750"	D	2264897	Tapered pin.
		R200144 Bronze				
12000	(F120) 1966-74	R200123 Nylon	9.750"	D	2264897	Tapered pin.
		R200144 Bronze				
	(F120) 1975-78	R200066 Bronze	1.745" x 9.380"	B	8885621	
16000	(FL901) 1966-72	R200168 Nylon	1.999" x 11.040"	B	2452865	
		R200170 Bronze				

GMC/CHEVROLET

H70, H7500 (Continued)

Tie Rod Ends

Axle Rating Lbs.	Axle Code/Year	Part Number/ Location	Stud Center to Rod End	OEM Reference	Notes
7000	(F070) 1966-78	R230013 Curbside	6.50"	3864354	
		R230012 Roadside		3864353	
	(F070) 1978	R230035 Curbside	4.93"	462390	
		R230034 Roadside		462389	
9000	(F090) 1966-78	R230005 Curbside	3.88"	2330712	1966-72 All; 1973-78 w/688568 axle only.
		R230004 Roadside		2330713	
	(F090) 1973-78	R230036 Curbside	4.875"	2037140	
		R230037 Roadside		2037142	
12000	(F120) 1973-78	R230036 Curbside	4.875"	2037140	Exc. 688561; 688568; 2000765, 7, 8; 2002081, 83 axles.
		R230037 Roadside		2037142	
16000	(FL901) 1966-72	R230070 Curbside	5.75"	2452860	
		R230071 Roadside		2452861	

Drag Links

Axle Rating Lbs.	Axle Code/Year	Part Number	Stud Center to Stud Center	OEM Reference	Notes
7000	(F070) 1973-78	R250054	17.90"	684196	w/Manual steering.
9000	(F090) 1973-78	R250026	17.70"	669335	w/Power steering.
		R250054	17.90"	684196	w/Manual steering.
	(F120D) 1973-78	R250026	17.70"	669335	w/Power steering.
		R250054	17.90"	684196	w/Manual steering.
12000	(F120) 1973-78	R250026	17.70"	669335	w/Power steering.
		R250054	17.90"	684196	w/Manual steering.

H80, H8500

King Pin Kits

Axle Rating Lbs.	Axle Code/Year	Part Number/ Bushing Type	King Pin Size	Type	OEM Reference	Notes
7000	(F070) 1973-78	R200024 Nylon	1.249" x 7.888"	A	3927943	
		R200025 Bronze				
9000	(F090) 1973-78	R200011 Bronze	8.750"	D	2321013	Tapered pin.
		R200022 Nylon			8885021	
12000	(F120) 1973-74	R200123 Nylon	9.750"	D	2264897	Tapered pin.
		R200144 Bronze				
	(F120) 1975-78	R200066 Bronze	1.745" x 9.380"	B	8885621	

Tie Rod Ends

Axle Rating Lbs.	Axle Code/Year	Part Number/ Location	Stud Center to Rod End	OEM Reference	Notes
7000	(F070) 1973-78	R230013 Curbside	6.50"	3864354	
		R230012 Roadside		3864353	
9000	(F090) 1973-78	R230036 Curbside	4.875"	2037140	Exc. 688561; 688568; 2000765, 7, 8; 2002081, 83 axles.
		R230037 Roadside		2037142	
12000	(F120) 1973-78	R230036 Curbside	4.875"	2037140	Exc. 688561; 688568; 2000765, 7, 8; 2002081, 83 axles.
		R230037 Roadside		2037142	

Drag Links

Axle Rating Lbs.	Axle Code/Year	Part Number	Stud Center to Stud Center	OEM Reference	Notes
7000	(F070) 1973-78	R250054	17.90"	684196	w/Manual steering.
9000	(F090) 1973-78	R250026	17.70"	669335	w/Power steering.
		R250054	17.90"	684196	w/Manual steering.
12000	(F120) 1973-78	R250026	17.70"	669335	w/Power steering.
		R250054	17.90"	684196	w/Manual steering.

GMC/CHEVROLET

H90, H9500

King Pin Kits

Axle Rating Lbs.	Axle Code/Year	Part Number/ Bushing Type	King Pin Size	Type	OEM Reference	Notes
7000	(F070) 1966-72	R200024 Nylon	1.249" x 7.888"	A	3927943	
		R200025 Bronze				
9000	(F090) 1970-78	R200011 Bronze	8.750"	D	2321013	Tapered pin.
		R200022 Nylon			8885021	
12000	(F120D) 1975-78	R200066 Bronze	1.745" x 9.380"	B	8885621	
	(F120) 1975-78	R200066 Bronze	1.745" x 9.380"	B	8885621	
	(F120, FE900) 1970-74	R200123 Nylon	9.750"	D	2264897	Tapered pin.
16000	(F160) 1963-72	R200144 Bronze	10.688"	D	2407799	Tapered pin.
		R200153 Bronze				

Tie Rod Ends

Axle Rating Lbs.	Axle Code/Year	Part Number/ Location	Stud Center to Rod End	OEM Reference	Notes	
7000	(F070) 1966-72	R230013 Curbside	6.50"	3864354		
		R230012 Roadside		3864353		
9000	(F090) 1966-69	R230005 Curbside	3.88"	2330712		
		R230004 Roadside		2330713		
	(F090) 1970-78	R230025 Curbside	4.875"	671489		Rubber dust boot.
		R230024 Roadside		671488		
(F120D) 1975-78	R230025 Curbside	4.875"	671489			
	R230024 Roadside		671488			
12000	(F120) 1970-75	R230025 Curbside	4.875"	671489	Before 1975 second design. Rubber dust boot.	
		R230024 Roadside		671488		
	(F120) 1975-78	R230036 Curbside	4.875"	2037140	From 1975 second design. Has three piece grease retainer.	
		R230037 Roadside		2037142		
(FE900) 1970-72	R230061 Curbside	4.875"	2456811			
	R230060 Roadside		2456810			
16000	(F160) 1970-72	R230025 Curbside	4.875"	671489		
		R230024 Roadside		671488		

Drag Links

Axle Rating Lbs.	Axle Code/Year	Part Number	Stud Center to Stud Center	OEM Reference	Notes
9000	(F090) 1970-78	R250026	17.70"	669335	w/Power steering.
		R250054	17.90"	684196	w/Manual steering.
12000	(F120) 1970-78	R250026	17.70"	669335	w/Power steering.
		R250054	17.90"	684196	w/Manual steering.

J70, J7500

King Pin Kits

Axle Rating Lbs.	Axle Code/Year	Part Number/ Bushing Type	King Pin Size	Type	OEM Reference	Notes				
7000	(F070) 1966-78	R200024 Nylon	1.249" x 7.888"	A	3927943					
		R200025 Bronze								
9000	(F090) 1966-78	R200011 Bronze	8.750"	D	2321013	Tapered pin.				
		R200022 Nylon			8885021					
11000	(F110) 1966-72	R200066 Bronze	1.745" x 9.380"	B	8885621					
		R200123 Nylon					9.750"	D	2264897	Tapered pin.
		R200144 Bronze								
12000	(F120) 1966-74	R200123 Nylon	9.750"	D	2264897	Tapered pin.				
		R200144 Bronze								
16000, 18000	(F120) 1975-78	R200066 Bronze	1.745" x 9.380"	B	8885621					
		R200168 Nylon					1.999" x 11.040"	B	2452865	
	(FL901) 1966-78	R200170 Bronze	1.999" x 11.212"	B	2036352					
	(FL931) 1973-78	R200198 Bronze					15585841			
		R201312 Easy Steer								

GMC/CHEVROLET

J70, J7500 (Continued)

Tie Rod Ends

Axle Rating Lbs.	Axle Code/Year	Part Number/ Location	Stud Center to Rod End	OEM Reference	Notes
7000	(F070) 1966-78	R230013 Curbside	6.50"	3864354	
		R230012 Roadside		3864353	
	(F070) 1978	R230035 Curbside	4.93"	462390	
		R230034 Roadside		462389	
9000	(F090) 1966-78	R230005 Curbside	3.88"	2330712	1966-72 All; 1973-78 w/688568 axle only.
		R230004 Roadside		2330713	
	(F090) 1973-78	R230036 Curbside	4.875"	2037140	Except 688561; 688568; 2000765, 7, 8; 2002081, 83 axles.
		R230037 Roadside		2037142	
	(F120D) 1974-78	R230036 Curbside	4.875"	2037140	Except 688561; 688568; 2000765, 7, 8; 2002081, 83 axles.
		R230037 Roadside		2037142	
12000	(F120) 1973-78	R230036 Curbside	4.875"	2037140	Except 688561; 688568; 2000765, 7, 8; 2002081, 83 axles.
		R230037 Roadside		2037142	
16000, 18000	(FL901) 1966-78	R230070 Curbside	5.75"	2452860	
		R230071 Roadside		2452861	
	(FL931) 1973-78	R230073 Curbside	7.37"	798203	
		R230072 Roadside		798204	

Drag Links

Axle Rating Lbs.	Axle Code/Year	Part Number	Stud Center to Stud Center	OEM Reference	Notes
7000	(F070) 1973-78	R250054	17.90"	684196	w/Manual steering.
9000	(F090) 1973-78	R250054	17.90"	684196	Use w/6V-53; 432; 478M engines.
	(F090), (F120D) 1970-78	R250026	17.70"	669335	w/Power steering.
		R250054	17.90"	684196	w/Manual steering.
12000	(F120) 1970-78	R250026	17.70"	669335	w/Power steering.
		R250054	17.90"	684196	w/Manual steering.
16000, 18000	(FL901) 1973-78	R250054	17.90"	684196	w/Manual steering.
	(FL931) 1973-78	R250026	17.70"	669335	w/Power steering - RH

J80

King Pin Kits

Axle Rating Lbs.	Axle Code/Year	Part Number/ Bushing Type	King Pin Size	Type	OEM Reference	Notes
9000	(F090) 1973-78	R200011 Bronze	8.750"	D	2321013	Tapered pin.
		R200022 Nylon			8885021	
12000	(F120) 1973-74	R200123 Nylon	9.750"	D	2664897	Tapered pin.
		R200144 Bronze			2264897	
	(F120) 1975-78	R200066 Bronze	1.745" x 9.380"	B	8885621	
16000, 18000	(FL901) 1973-74	R200168 Nylon	1.999" x 11.040"	B	2452865	
		R200170 Bronze				

Tie Rod Ends

Axle Rating Lbs.	Axle Code/Year	Part Number/ Location	Stud Center to Rod End	OEM Reference	Notes
9000	(F090) 1973-78	R230036 Curbside	4.875"	2037140	Except 688561; 688568; 2000765, 7, 8; 2002081, 83 axles.
		R230037 Roadside		2037142	
12000	(F120) 1973-78	R230036 Curbside	4.875"	2037140	Except 688561; 688568; 2000765, 7, 8; 2002081, 83 axles.
		R230037 Roadside		2037142	
16000, 18000	(FL901) 1973-74	R230070 Curbside	5.75"	2452860	
		R230071 Roadside		2452861	

Drag Links

Axle Rating Lbs.	Axle Code/Year	Part Number	Stud Center to Stud Center	OEM Reference	Notes
9000	(F090) 1973-74	R250026	17.70"	669335	w/Power steering.
		R250054	17.90"	684196	w/Manual steering. Use w/6V-53; 432; 478M engines.
12000	(F120) 1973-74	R250026	17.70"	669335	w/Power steering.
		R250054	17.90"	684196	w/Manual steering.
16000, 18000	(FL901) 1973-74	R250054	17.90"	684196	w/Manual steering. Use w/6V-53; 432; 478M engines.

GMC/CHEVROLET

J8500

King Pin Kits

Axle Rating Lbs.	Axle Code/Year	Part Number/ Bushings Type	King Pin Size	Type	OEM Reference	Notes
9000	(F090) 1963-78	R200011 Bronze	8.750"	D	2321013	Tapered pin.
		R200022 Nylon			8885021	
12000	(F120) 1963-74	R200123 Nylon	9.750"	D	2264897	Tapered pin.
		R200144 Bronze				
	(F160) 1963-72	R200146 Nylon	10.688"	D	2407799	
		R200153 Bronze				
(FL901) 1973-74	R200168 Nylon	1.999" x 11.040"	B	2452865		
	R200170 Bronze					

Tie Rod Ends

Axle Rating Lbs.	Axle Code/Year	Part Number/ Location	Stud Center to Rod End	OEM Reference	Notes	
9000	(F090) 1963-72	R230005 Curbside	3.88"	2330712		
		R230004 Roadside		2330713		
	(F090), (F120) 1973-78	R230025 Curbside	4.875"	671489		Rubber dust boot.
		R230024 Roadside		671488		
12000	(F120) 1973-78	R230025 Curbside	4.875"	671489		
		R230024 Roadside		671488		
16000	(FL901) 1973-74	R230070 Curbside	5.75"	2452860		
		R230071 Roadside		2452861		

Drag Links

Axle Rating Lbs.	Axle Code/Year	Part Number	Stud Center to Stud Center	OEM Reference	Notes
9000	(F090) 1973-78	R250026	17.70"	669335	w/Power steering.
		R250054	17.90"	684196	w/Manual steering. Use w/6V-53; 432; 478 engines.
12000	(F120) 1973-78	R250026	17.70"	669335	w/Power steering.
		R250054	17.90"	684196	
16000	(FL901) 1973-74	R250054	17.90"	684196	w/6V-53 engine.

J90, J9500

King Pin Kits

Axle Rating Lbs.	Axle Code/Year	Part Number/ Bushings Type	King Pin Size	Type	OEM Reference	Notes
9000	(F090) 1970-78	R200011 Bronze	8.750"	D	2321013	Tapered pin.
		R200022 Nylon			8885021	
12000	(F120) 1970-74	R200123 Nylon	9.750"	D	2264897	Tapered pin.
		R200144 Bronze				
16000	(F160) 1970-72	R200146 Nylon	10.688"	D	2407799, 2394913	Tapered pin.
		R200153 Bronze				
16000, 18000	(FL901) 1970-78	R200168 Nylon	1.999" x 11.040"	B	2452865	
		R200170 Bronze				
16000	(FL931) 1973-78	R200198 Bronze	1.999" x 11.212"	B	2036352	
		R201312 Easy Steer			15585841	

GMC/CHEVROLET

J90, J9500 (Continued)

Tie Rod Ends

Axle Rating Lbs.	Axle Code/Year	Part Number/ Location	Stud Center to Rod End	OEM Reference	Notes	
9000	(F090) 1963-69	R230005 Curbside	3.88"	2330712		
		R230004 Roadside		2330713		
	(F090) 1970-78	R230025 Curbside	4.875"	671489		Rubber dust boot.
		R230024 Roadside		671488		
12000	(F120) 1970-75	R230025 Curbside	4.875"	671489	Before 1975 second design. Rubber dust boot.	
		R230024 Roadside		671488		
	(F120) 1975-78	R230036 Curbside	4.875"	2037140	From 1975 second design. Has three piece grease retainer.	
		R230037 Roadside		2037142		
	(FE900) 1970-72	R230061 Curbside	4.875"	2456811		
		R230060 Roadside		2456810		
16000	(F160) 1970-72	R230025 Curbside	4.875"	671489	Rubber dust boot.	
		R230024 Roadside		671488		
16000, 18000	(FL901) 1973-78	R230070 Curbside	5.75"	2452860		
		R230071 Roadside		2452861		
16000	(FL931) 1973-78	R230073 Curbside	7.37"	798203	w/Axle models 718314; 719708; 719831; 2025882, 86 axles.	
		R230072 Roadside		798204		

Drag Links

Axle Rating Lbs.	Axle Code/Year	Part Number	Stud Center to Stud Center	OEM Reference	Notes
9000	(F090) 1970-78	R250026	17.70"	669335	w/Power steering.
		R250054	17.90"	684196	w/Manual steering.
12000	(F120) 1970-78	R250026	17.70"	669335	w/Power steering.
		R250054	17.90"	684196	w/Manual steering.
16000	(FL931) 1973-78	R250026	17.70"	669335	w/Power steering - LH

L50

King Pin Kits

Axle Rating Lbs.	Axle Code/Year	Part Number/ Bushing Type	King Pin Size	Type	OEM Reference	Notes
4000	1963-66	R200226 Bronze	0.921" x 5.640"	A	3854008	
5000	1964	R200026 Nylon	1.109" x 6.343"	A	3927942	Second design w/thrust bearing.
		R200027 Bronze				
	1965-70	R200026 Nylon	1.109" x 6.343"	A	3927942	
		R200027 Bronze				
7000	1965-70	R200024 Nylon	1.249" x 7.888"	A	3927943	
		R200025 Bronze				
9000	1965-70	R200011 Bronze	8.750"	D	2321013	Tapered pin.
		R200022 Nylon			8885021	
11000	1965-70	R200123 Nylon	9.750"	D	2264897	Tapered pin.
		R200144 Bronze				

Tie Rod Ends

Axle Rating Lbs.	Axle Code/Year	Part Number/ Location	Stud Center to Rod End	OEM Reference	Notes
5000	1963-66	R230009 Curbside	5.84"	3864348	
		R230008 Roadside		3864347	
7000	1965-70	R230013 Curbside	6.50"	3864354	
		R230012 Roadside		3864353	
9000	1965-70	R230005 Curbside	3.88"	2330712	
		R230004 Roadside		2330713	

GMC/CHEVROLET**L60, C80, E80, L80, M80, U80****King Pin Kits**

Axle Rating Lbs.	Axle Code/Year	Part Number/ Bushing Type	King Pin Size	Type	OEM Reference	Notes
5000	1965-66	R200026 Nylon	1.109" x 6.343"	A	3927942	
		R200027 Bronze				
7000	1964-66	R200024 Nylon	1.249" x 7.888"	A	3927943	
		R200025 Bronze				
9000	1963-66	R200011 Bronze	8.750"	D	2321013	Tapered pin.
		R200022 Nylon			8885021	
11000	1963-66	R200123 Nylon	9.750"	D	2264897	Tapered pin.
		R200144 Bronze				

Tie Rod Ends

Axle Rating Lbs.	Axle Code/Year	Part Number/ Location	Stud Center to Rod End	OEM Reference	Notes
5000	1965-66	R230009 Curbside	5.84"	3864348	
		R230008 Roadside		3864347	
7000	1963-66	R230013 Curbside	6.50"	3864354	
		R230012 Roadside		3864353	
9000	1963-66	R230005 Curbside	3.88"	2330712	
		R230004 Roadside		2330713	

M50**King Pin Kits**

Axle Rating Lbs.	Axle Code/Year	Part Number/ Bushing Type	King Pin Size	Type	OEM Reference	Notes
5000	1967-70	R200026 Nylon	1.109" x 6.343"	A	3927942	
		R200027 Bronze				
7000	1967-72	R200024 Nylon	1.249" x 7.888"	A	3927943	
		R200025 Bronze				
9000	1967-70	R200011 Bronze	8.750"	D	2321013	Tapered pin.
		R200022 Nylon			8885021	

Tie Rod Ends

Axle Rating Lbs.	Axle Code/Year	Part Number/ Location	Stud Center to Rod End	OEM Reference	Notes
5000	1967-70	R230009 Curbside	5.84"	3864348	
		R230008 Roadside		3864347	
7000	1967-73	R230013 Curbside	6.50"	3864354	
		R230012 Roadside		3864353	
9000	1967-70	R230005 Curbside	3.88"	2330712	
		R230004 Roadside		2330713	

M60, M6000**King Pin Kits**

Axle Rating Lbs.	Axle Code/Year	Part Number/ Bushing Type	King Pin Size	Type	OEM Reference	Notes
5000	1964-70	R200026 Nylon	1.109" x 6.343"	A	3927942	First design.
		R200027 Bronze				
7000	1964-78	R200024 Nylon	1.249" x 7.888"	A	3927943	
		R200025 Bronze				
9000	1963-78	R200011 Bronze	8.750"	D	2321013	Tapered pin.
		R200022 Nylon			8885021	
11000	1965-70	R200123 Nylon	9.750"	D	2264897	Tapered pin.
		R200144 Bronze				
12000	(F120) 1975-78	R200066 Bronze	1.745" x 9.380"	B	8885621	Tapered pin.
	1973-75	R200123 Nylon	9.750"	D	2264897	
		R200144 Bronze				

GMC/CHEVROLET

M60, M6000 (Continued)

Tie Rod Ends

Axle Rating Lbs.	Axle Code/Year	Part Number/ Location	Stud Center to Rod End	OEM Reference	Notes
5000	1963-70	R230009 Curbside	5.84"	3864348	
		R230008 Roadside		3864347	
7000	1963-78	R230013 Curbside	6.50"	3864354	w/Axle models 348136, 42; 349041, 42, 44, 46, 47, 48, 52, 53, 59, 60; 45977.
		R230012 Roadside		3864353	
	1973-78	R230035 Curbside	4.93"	462390	
		R230034 Roadside		462389	
9000	1963-74	R230005 Curbside	3.88"	2330712	
		R230004 Roadside		2330713	
	1975-78	R230025 Curbside	4.875"	671489	
		R230024 Roadside		671488	
12000	1973-78	R230025 Curbside	4.875"	671489	
		R230024 Roadside		671488	

Drag Links

Axle Rating Lbs.	Axle Code/Year	Part Number	Stud Center to Stud Center	OEM Reference	Notes
7000, 9000, 12000	1978	R250001	17.00"	718797, 15506689	

M65, M6500

King Pin Kits

Axle Rating Lbs.	Axle Code/Year	Part Number/ Bushing Type	King Pin Size	Type	OEM Reference	Notes
7000	(F070) 1973-78	R200024 Nylon	1.249" x 7.888"	A	3927943	
		R200025 Bronze				
9000	(F090) 1973-78	R200011 Bronze	8.750"	D	2321013	Tapered pin.
		R200022 Nylon				
	(F120D) 1975-78	R200066 Bronze	1.745" x 9.380"	B	8885621	
11000	(F110) 1969-72	R200123 Nylon	9.750"	D	2264897	Tapered pin.
		R200144 Bronze				
12000	(F120) 1973-75	R200123 Nylon	9.750"	D	2264897	Tapered pin.
		R200144 Bronze				
	(F120) 1975-78	R200066 Bronze	1.745" x 9.380"	B	8885621	

Tie Rod Ends

Axle Rating Lbs.	Axle Code/Year	Part Number/ Location	Stud Center to Rod End	OEM Reference	Notes
7000	(F070) 1973-78	R230013 Curbside	6.50"	3864354	
		R230012 Roadside		3864353	
9000	(F090) 1973-74	R230005 Curbside	3.88"	2330712	
		R230004 Roadside		2330713	
	(F090), (F120D) 1975-78	R230025 Curbside	4.875"	671489	
		R230024 Roadside		671488	
12000	(F120) 1973-78	R230025 Curbside	4.875"	671489	Rubber dust boot.
		R230024 Roadside		671488	
	(F120) 1975-78	R230036 Curbside	4.875"	2037140, 2007728	
		R230037 Roadside		2037142, 2007731	

Drag Links

Axle Rating Lbs.	Axle Code/Year	Part Number	Stud Center to Stud Center	OEM Reference	Notes
7000	(F070) 1975-78	R250001	17.00"	718797, 15506689	Second design.
9000	(F090) 1975-78	R230405	3.12" Stud center to rod end	3892946	Power steering cylinder end.
		R250053	17.96"	718798	Second design.
	(F120D) 1975-78	R250001	17.00"	718797	Second design.
		R250053	17.96"	718798	Second design.
	1973-78	R230405	3.12" Stud center to rod end	3892946	Power steering cylinder end.
12000	(F120) 1973-78	R230405	3.12" Stud center to rod end	3892946	Power steering cylinder end.

GMC/CHEVROLET

M90, M9500

King Pin Kits

Axle Rating Lbs.	Axle Code/Year	Part Number/ Bushings Type	King Pin Size	Type	OEM Reference	Notes
9000	(F090) 1970-78	R200011 Bronze	8.750"	D	2321013	Tapered pin.
		R200022 Nylon			8885021	
	(F120D) 1975-78	R200066 Bronze	1.745" x 9.380"	B	8885621	
12000	(F120) 1975-78	R200066 Bronze	1.745" x 9.380"	B	8885621	
		R200123 Nylon			9.750"	D
	1970-74	R200144 Bronze				
16000	(F160) 1970-72	R200146 Nylon	10.688"	D	2407799, 2394913	Tapered pin.
		R200153 Bronze				
	(FL901) 1970-78	R200168 Nylon	1.999" x 11.040"	B	2452865	
		R200170 Bronze				
(FL931) 1973-78	R200198 Bronze	1.999" x 11.212"	B	2036352		
	R201312 Easy Steer			15585841		
18000	(FL901) 1973-78	R200168 Nylon	1.999" x 11.040"	B	720383	
		R200170 Bronze			2452865	

Tie Rod Ends

Axle Rating Lbs.	Axle Code/Year	Part Number/ Location	Stud Center to Rod End	OEM Reference	Notes
9000	(F090) 1963-69	R230005 Curbside	3.88"	2330712	
		R230006 Roadside		2330713	
	(F090) 1970-78	R230025 Curbside	4.875"	671489	Rubber dust boot.
		R230024 Roadside		671488	
(F120D) 1975-78	R230025 Curbside	4.875"	671489	Rubber dust boot.	
	R230024 Roadside		671488		
12000	(F120) 1970-75	R230025 Curbside	4.875"	671489	Before 1975 second design. Rubber dust boot.
		R230024 Roadside		671488	
	(F120) 1975-78	R230036 Curbside	4.875"	2037140	From 1975 second design. Has three piece grease retainer.
		R230037 Roadside		2037142	
	(FE900) 1970-72	R230061 Curbside	4.875"	2456811	
		R230060 Roadside		2456810	
16000	(F160) 1970-72	R230025 Curbside	4.875"	671489	Rubber dust boot.
		R230024 Roadside		671488	
	(FL901) 1973-78	R230070 Curbside	5.75"	2456860	
		R230071 Roadside		2456861	
18000	(FL901) 1973-78	R230070 Curbside	5.75"	2452861	
		R230071 Roadside		2452860	

Drag Links

Axle Rating Lbs.	Axle Code/Year	Part Number	Stud Center to Stud Center	OEM Reference	Notes
9000	(F090) 1970-78	R250026	17.70"	669335	w/Power steering.
		R250054	17.90"	684196	w/Manual steering.
12000	(F120) 1970-78	R250026	17.70"	669335	w/Power steering.
		R250054	17.90"	684196	w/Manual steering.
16000	(FL931) 1973-78	R250026	17.70"	669335	w/Power steering - LH

N50

King Pin Kits

Axle Rating Lbs.	Axle Code/Year	Part Number/ Bushings Type	King Pin Size	Type	OEM Reference	Notes
7000	1965-66	R200024 Nylon	1.249" x 7.888"	A	3927943	
		R200025 Bronze				
9000	1965-66	R200011 Bronze	8.750"	D	2321013	Tapered pin.
		R200022 Nylon			8885021	

GMC/CHEVROLET

N50 (Continued)

Tie Rod Ends

Axle Rating Lbs.	Axle Code/Year	Part Number/ Location	Stud Center to Rod End	OEM Reference	Notes
7000	1965-66	R230013 Curbside	6.50"	3864354	
		R230012 Roadside		3864353	
9000	1965-66	R230005 Curbside	3.88"	2330712	
		R230004 Roadside		2330713	

N60, Y60

King Pin Kits

Axle Rating Lbs.	Axle Code/Year	Part Number/ Bushing Type	King Pin Size	Type	OEM Reference	Notes
7000	1965-66	R200024 Nylon	1.249" x 7.888"	A	3927943	
		R200025 Bronze				
9000	1965-66	R200011 Bronze	8.750"	D	2321013	Tapered pin.
		R200022 Nylon			8885021	
11000	1965-66	R200123 Nylon	9.750"	D	2264897	Tapered pin.
		R200144 Bronze				

Tie Rod Ends

Axle Rating Lbs.	Axle Code/Year	Part Number/ Location	Stud Center to Rod End	OEM Reference	Notes
7000	1965-66	R230013 Curbside	6.50"	3864354	
		R230012 Roadside		3864353	
9000	1965-66	R230005 Curbside	3.88"	2330712	
		R230004 Roadside		2330713	

P1500 (1/2 Ton) 2WD

King Pin Kits

Axle Rating Lbs.	Axle Code/Year	Part Number/ Bushing Type	King Pin Size	Type	OEM Reference	Notes
	1966	R200001 Bronze	1.109" x 6.344"	A	3854744	
		R200002 Bronze	1.119" x 6.344"		3854745	

Tie Rod Ends

Axle Rating Lbs.	Axle Code/Year	Part Number/ Location	Stud Center to Rod End	OEM Reference	Notes
	1966	R230009 Curbside	5.84"	3864348	
		R230008 Roadside		3864347	

P2500 (3/4 Ton) 2WD

King Pin Kits

Axle Rating Lbs.	Axle Code/Year	Part Number/ Bushing Type	King Pin Size	Type	OEM Reference	Notes
	1960-63	R200001 Bronze	1.109" x 6.344"	A	3854744	
		R200002 Bronze	1.119" x 6.344"		3854745	
	1964-65	R200026 Nylon	1.109" x 6.343"	A	3927942	
		R200027 Bronze				
	1966	R200001 Bronze	1.109" x 6.344"	A	3854744	
		R200002 Bronze	1.119" x 6.344"		3854745	
	1967	R200026 Nylon	1.109" x 6.343"	A	3927942	
		R200027 Bronze				

Tie Rod Ends

Axle Rating Lbs.	Axle Code/Year	Part Number/ Location	Stud Center to Rod End	OEM Reference	Notes
	1960-63	R230009 Curbside	5.84"	3864348	
		R230008 Roadside		3864347	
	1966-67	R230009 Curbside	5.84"	3864348	
		R230008 Roadside		3864347	

GMC/CHEVROLET

P40

King Pin Kits

Axle Rating Lbs.	Axle Code/Year	Part Number/ Bushings Type	King Pin Size	Type	OEM Reference	Notes
5000	(F050) 1979-90	R200045 Nylon	1.179" x 6.360"	A	722166, 15536398	
		R200046 Bronze				
7000	(F070) 1979-84	R200024 Nylon	1.249" x 7.888"	A	8885857	
		R200025 Bronze				

Tie Rod Ends

Axle Rating Lbs.	Axle Code/Year	Part Number/ Location	Stud Center to Rod End	OEM Reference	Notes
5000, 7000	(F050), (F070) 1979-90	R230035 Curbside	4.93"	462390	
		R230034 Roadside		462389	

P4500

King Pin Kits

Axle Rating Lbs.	Axle Code/Year	Part Number/ Bushings Type	King Pin Size	Type	OEM Reference	Notes
5000	(F050) 1979-90	R200045 Nylon	1.179" x 6.360"	A	722166	
		R200046 Bronze				
7000	(F070) 1979-84	R200024 Nylon	1.249" x 7.888"	A	8885857	
		R200025 Bronze				

Tie Rod Ends

Axle Rating Lbs.	Axle Code/Year	Part Number/ Location	Stud Center to Rod End	OEM Reference	Notes
5000, 7000	(F050), (F070) 1979-90	R230035 Curbside	4.93"	462390	
		R230034 Roadside		462389	

P50

King Pin Kits

Axle Rating Lbs.	Axle Code/Year	Part Number/ Bushings Type	King Pin Size	Type	OEM Reference	Notes
4000	1965-66	R200226 Bronze	0.921" x 5.640"	A	3854008	
5000	1965-66	R200026 Nylon	1.109" x 6.343"	A	3927942	
		R200027 Bronze				

Tie Rod Ends

Axle Rating Lbs.	Axle Code/Year	Part Number/ Location	Stud Center to Rod End	OEM Reference	Notes
5000	1965-66	R230009 Curbside	5.84"	3864348	
		R230008 Roadside		3864347	

P60

King Pin Kits

Axle Rating Lbs.	Axle Code/Year	Part Number/ Bushings Type	King Pin Size	Type	OEM Reference	Notes
5000	(F050) 1983-90	R200045 Nylon	1.179" x 6.360"	A	1553698	
		R200046 Bronze				
7000	(F070) 1983-90	R200024 Nylon	1.249" x 7.888"	A	8885857	
		R200025 Bronze				
9000	(F090) 1984-90	R200066 Bronze	1.745" x 9.380"	B	8885856	
	(F120D) 1987-90	R200066 Bronze				
12000	(F120) 1983-90	R200066 Bronze	1.745" x 9.380"	B	8885856	

GMC/CHEVROLET

P60 (Continued)

Tie Rod Ends

Axle Rating Lbs.	Axle Code/Year	Part Number/ Location	Stud Center to Rod End	OEM Reference	Notes
5000	(F050) 1983-90	R230035 Curbside	4.93"	462390	
		R230034 Roadside		462389	
7000	(F070) 1983-87	R230035 Curbside	4.93"	462390	
		R230034 Roadside		462389	
	(F070) 1988-90	R230210 Curbside	10.81"	15522069	
		R230209 Roadside		15622068	
8000	(FL1) 1994-99	R230144 Curbside	5.44"	12548111	Second Design
		R230143 Roadside		12548110	
9000	(F090) 1983-90	R230036 Curbside	4.875"	2037140	
		R230037 Roadside		2037142	
	(F120D) 1987-90	R230036 Curbside	4.875"	2037140	
		R230037 Roadside		2037142	
11000	(FL2) 1992-96	R230142 Curbside	5.44"	12548108	
		R230141 Roadside		12548107	
12000	(F120) 1983-90	R230036 Curbside	4.875"	2037140	
		R230037 Roadside		2037142	

Drag Links

Axle Rating Lbs.	Axle Code/Year	Part Number	Stud Center to Stud Center	OEM Reference	Notes
5000	(F050) 1983-90	R250001	17.00"	15506689	
7000	(F070) 1983-90	R250001	17.00"	15506689	Except motor home applications.
	(F070) 1988-90	R250102	17.53"	15622066	
9000	(F120D) 1983-90	R250053	17.96"	718798	w/Saginaw power steering and hydraulic brakes.
	(F120D) 1988-90	R250103	18.50"	15625713	
12000	(F120) 1983-90	R250053	17.96"	718798	w/Saginaw power steering and hydraulic brakes.
	(F120) 1988-90	R250103	18.50"	15625713	

P6000

King Pin Kits

Axle Rating Lbs.	Axle Code/Year	Part Number/ Bushing Type	King Pin Size	Type	OEM Reference	Notes
5000	(F050) 1983-90	R200045 Nylon	1.179" x 6.360"	A	15536398	
		R200046 Bronze				
7000	(F070) 1983-90	R200024 Nylon	1.249" x 7.888"	A	8885857	
		R200025 Bronze				
9000	(F090) 1984-90	R200066 Bronze	1.745" x 9.380"	B	8885856	
12000	(F120) 1984-90	R200066 Bronze	1.745" x 9.380"	B	8885856	

Tie Rod Ends

Axle Rating Lbs.	Axle Code/Year	Part Number/ Location	Stud Center to Rod End	OEM Reference	Notes
5000	(F050) 1983-90	R230035 Curbside	4.93"	462390	
		R230034 Roadside		462389	
7000	(F070) 1983-87	R230035 Curbside	4.93"	462390	
		R230034 Roadside		462389	
	(F070) 1988-90	R230210 Curbside	10.81"	15522069	
		R230209 Roadside		15622068	
9000	(F090) 1983-90	R230036 Curbside	4.875"	2037140	
		R230037 Roadside		2037142	

GMC/CHEVROLET

P6000 (Continued)

Drag Links

Axle Rating Lbs.	Axle Code/Year	Part Number	Stud Center to Stud Center	OEM Reference	Notes
5000	(F050) 1983-90	R250001	17.00"	15506689	
7000	(F070) 1983-90	R250001	17.00"	15506689	Except motor home applications.
	(F070) 1988-90	R250102	17.53"	15622066	
9000	(F120D) 1983-90	R250053	17.96"	718798	w/Saginaw power steering and hydraulic brakes.
	(F120D) 1988-90	R250103	18.50"	15625713	

Q60, V60, X60

King Pin Kits

Axle Rating Lbs.	Axle Code/Year	Part Number/ Bushing Type	King Pin Size	Type	OEM Reference	Notes
5000	1965-66	R200026 Nylon	1.109" x 6.343"	A	3927942	
		R200027 Bronze				
7000	1965-66	R200024 Nylon	1.249" x 7.888"	A	3927943	
		R200025 Bronze				
9000	1965-66	R200011 Bronze	8.750"	D	2321013	Tapered pin.
		R200022 Nylon			8885021	

Tie Rod Ends

Axle Rating Lbs.	Axle Code/Year	Part Number/ Location	Stud Center to Rod End	OEM Reference	Notes
5000	1965-66	R230009 Curbside	5.84"	3864348	
		R230008 Roadside		3864347	
7000	1965-66	R230013 Curbside	6.50"	3864354	
		R230012 Roadside		3864353	
9000	1965-66	R230005 Curbside	3.88"	2330712	
		R230004 Roadside		2330713	

R8500

King Pin Kits

Axle Rating Lbs.	Axle Code/Year	Part Number/ Bushing Type	King Pin Size	Type	OEM Reference	Notes
9000	(F090) 1973	R200011 Bronze	8.750"	D	2321013	Tapered pin.
		R200022 Nylon			8885021	

Tie Rod Ends

Axle Rating Lbs.	Axle Code/Year	Part Number/ Location	Stud Center to Rod End	OEM Reference	Notes
9000	(F090) 1973	R230025 Curbside	4.875"	671489	
		R230024 Roadside		671488	

S50, Q50

King Pin Kits

Axle Rating Lbs.	Axle Code/Year	Part Number/ Bushing Type	King Pin Size	Type	OEM Reference	Notes
4000	1965-66	R200226 Bronze	0.921" x 5.640"	A	3854008	
5000	1964	R200026 Nylon	1.109" x 6.343"	A	3927942	Second design w/thrust bearing.
		R200027 Bronze				
	1965-75	R200026 Nylon	1.109" x 6.343"	A	3927942	
		R200027 Bronze				
7000	1964-75	R200024 Nylon	1.249" x 7.888"	A	3927943	From 1964, second design.
		R200025 Bronze				
9000	1963-72	R200011 Bronze	8.750"	D	2321013	Tapered pin.
		R200022 Nylon			8885021	

GMC/CHEVROLET

S50, Q50 (Continued)

Tie Rod Ends

Axle Rating Lbs.	Axle Code/Year	Part Number/ Location	Stud Center to Rod End	OEM Reference	Notes
5000	1963-75	R230009 Curbside	5.84"	3864348	
		R230008 Roadside		3864347	
7000	1963-75	R230013 Curbside	6.50"	3864354	
		R230012 Roadside		3864353	
9000	1962-72	R230005 Curbside	3.88"	2330712	
		R230004 Roadside		2330713	

S60, S6000

King Pin Kits

Axle Rating Lbs.	Axle Code/Year	Part Number/ Bushing Type	King Pin Size	Type	OEM Reference	Notes
5000	1964-69	R200026 Nylon	1.109" x 6.343"	A	3927942	First design.
		R200027 Bronze				
5500	1973-75	R200026 Nylon	1.109" x 6.343"	A	3927942	First design.
		R200027 Bronze				
	1975-79	R200045 Nylon	1.179" x 6.360"	A	722166	Second design.
		R200046 Bronze				
7000	1964-69	R200024 Nylon	1.249" x 7.888"	A	3927943	
		R200025 Bronze				
	1973-79	R200024 Nylon	1.249" x 7.888"	A	3927943	
		R200025 Bronze				
9000	1965-69	R200011 Bronze	8.750"	D	2321013	Tapered pin.
		R200022 Nylon			8885021	
	1973-79	R200011 Bronze	8.750"	D	2321013	Tapered pin, except F120D.
		R200022 Nylon			8885021	

Tie Rod Ends

Axle Rating Lbs.	Axle Code/Year	Part Number/ Location	Stud Center to Rod End	OEM Reference	Notes
5000	1963-69	R230009 Curbside	5.84"	3864348	
		R230008 Roadside		3864347	
5500	1973-79	R230009 Curbside	5.84"	3864348	
		R230008 Roadside		3864347	
7000	1963-69	R230013 Curbside	6.50"	3864354	
		R230012 Roadside		3864353	
	1978-79	R230035 Curbside	4.93"	462390	
		R230034 Roadside		462389	
9000	1963-69	R230005 Curbside	3.88"	2330712	
		R230004 Roadside		2330713	
	1973-74	R230005 Curbside	3.88"	2330712	
		R230004 Roadside		2330713	
	1975-79	R230025 Curbside	4.875"	671489	
		R230024 Roadside		671488	

Drag Links

Axle Rating Lbs.	Axle Code/Year	Part Number	Stud Center to Stud Center	OEM Reference	Notes
5500	1975-79	R250001	17.00"	15506689, 718797	From 1975, second design.
7000	1975-79	R250001	17.00"	15506689, 718797	From 1975, second design.

S70, S7T, S7500

King Pin Kits

Axle Rating Lbs.	Axle Code/Year	Part Number/ Bushing Type	King Pin Size	Type	OEM Reference	Notes
12000	(F120) 1983-90	R200066 Bronze	1.745" x 9.380"	B	8885621	
13200	(FG943) 1987-90	R200195 Bronze	1.794" x 10.392"	B	2010021	
		R201307 Easy Steer			15510849	

GMC/CHEVROLET
S70, S7T, S7500 (Continued)

Tie Rod Ends

Axle Rating Lbs.	Axle Code/Year	Part Number/ Location	Stud Center to Rod End	OEM Reference	Notes
9000, 12000	(F120D) 1983-90	R230036 Curbside	4.875"	2037142	
		R230037 Roadside		2037140	
13200	(FG943) 1987-90	R230069 Curbside	5.44"	15515805, 698572	
		R230068 Roadside		15515804, 698571	

Drag Links

Axle Rating Lbs.	Axle Code/Year	Part Number	Stud Center to Stud Center	OEM Reference	Notes
9000, 12000	(F120), (F120D) 1983-84	R250026	17.70"	669335	w/Power steering.
13200	(FF932) 1983-84	R250026	17.70"	669335	w/Power steering.

T50, T5500

King Pin Kits

Axle Rating Lbs.	Axle Code/Year	Part Number/ Bushing Type	King Pin Size	Type	OEM Reference	Notes
5000	1965-72	R200026 Nylon	1.109" x 6.343"	A	3927942	
		R200027 Bronze				
7000	1965-72	R200024 Nylon	1.249" x 7.888"	A	3927943	
		R200025 Bronze				
9000	1965-72	R200011 Bronze	8.750"	D	2321013	Tapered pin.
		R200022 Nylon			8885021	
11000	1965-72	R200123 Nylon	9.750"	D	2264897	Tapered pin.
		R200144 Bronze				

Tie Rod Ends

Axle Rating Lbs.	Axle Code/Year	Part Number/ Location	Stud Center to Rod End	OEM Reference	Notes
5000	1965-72	R230009 Curbside	5.84"	3864348	
		R230008 Roadside		3864347	
7000	1965-72	R230013 Curbside	6.50"	3864354	
		R230012 Roadside		3864353	
8100	(FL1) 1997	R230144 Curbside	5.44"	12548111	
		R230143 Roadside		12548110	
9000	1965-70	R230005 Curbside	3.88"	2330712	
		R230004 Roadside		2330713	
	1970-72	R230025 Curbside	4.875"	671489	
		R230024 Roadside		671488	
11000	(FL2) 1997	R230142 Curbside	5.44"	12548108	
		R230141 Roadside		12548107	

T60, T6000

King Pin Kits

Axle Rating Lbs.	Axle Code/Year	Part Number/ Bushing Type	King Pin Size	Type	OEM Reference	Notes
7000	1964-78	R200024 Nylon	1.249" x 7.888"	A	3927943	
		R200025 Bronze				
9000	1963-78	R200011 Bronze	8.750"	D	2321013	Tapered pin.
		R200022 Nylon			8885021	
11000	1963-69	R200123 Nylon	9.750"	D	2264897	Tapered pin.
		R200144 Bronze				
12000	1970-72	R200123 Nylon	9.750"	D	2264897	Tapered pin.
		R200144 Bronze				

GMC/CHEVROLET

T60, T6000 (Continued)

Tie Rod Ends

Axle Rating Lbs.	Axle Code/Year	Part Number/ Location	Stud Center to Rod End	OEM Reference	Notes
7000	1963-77	R230013 Curbside	6.50"	3864354	
		R230012 Roadside		3864353	
	1978	R230035 Curbside	4.93"	462390	
		R230034 Roadside		462389	
9000	1963-75	R230005 Curbside	3.88"	2330712	First design.
		R230004 Roadside		2330713	
	1975-78	R230025 Curbside	4.875"	671489	Second design.
		R230024 Roadside		671488	
12000	1970-72	R230025 Curbside	4.875"	671489	
		R230024 Roadside		671488	

T65, T6500

King Pin Kits

Axle Rating Lbs.	Axle Code/Year	Part Number/ Bushing Type	King Pin Size	Type	OEM Reference	Notes
7000	(F070) 1973-78	R200024 Nylon	1.249" x 7.888"	A	3927943	
		R200025 Bronze				
9000	(F090) 1973-78	R200011 Bronze	8.750"	D	2321013	Tapered pin.
		R200022 Nylon			8885021	
	(F120D) 1975-78	R200066 Bronze	1.745" x 9.380"	B	8885621	
12000	(F120) 1973-75	R200123 Nylon	9.750"	D	2264897	Tapered pin.
		R200144 Bronze				
	(F120) 1975-78	R200066 Bronze	1.745" x 9.380"	B	8885621	

Tie Rod Ends

Axle Rating Lbs.	Axle Code/Year	Part Number/ Location	Stud Center to Rod End	OEM Reference	Notes	
7000	(F070) 1973-78	R230013 Curbside	6.50"	3864354		
		R230012 Roadside		3864353		
8100	(FL1) 1997	R230144 Curbside	5.44"	12548111		
		R230143 Roadside		12548110		
9000	(F090) 1973-74	R230005 Curbside	3.88"	2330712		
		R230004 Roadside		2330713		
	(F090), (F120D) 1975-78	R230025 Curbside	4.875"	671489		Rubber dust boot.
		R230024 Roadside		671488		
11000	(FL2) 1997	R230142 Curbside	5.44"	12548108		
		R230141 Roadside		12548107		
12000	(F120) 1973-78	R230025 Curbside	4.875"	671489	Rubber dust boot.	
		R230024 Roadside		671488		
	(F120) 1975-78	R230036 Curbside	4.875"	2037140, 2007728		
		R230037 Roadside		2037142, 2007731		

T70, T7500

King Pin Kits

Axle Rating Lbs.	Axle Code/Year	Part Number/ Bushing Type	King Pin Size	Type	OEM Reference	Notes
7000	(F070) 1966-78	R200024 Nylon	1.249" x 7.888"	A	3927943	
		R200025 Bronze				
9000	(F090) 1966-78	R200011 Bronze	8.750"	D	2321013	Tapered pin.
		R200022 Nylon			8885021	
11000	(F110) 1966-72	R200123 Nylon	9.750"	D	2664897	Tapered pin.
		R200144 Bronze				
12000	(F120) 1966-74	R200123 Nylon	9.750"	D	2264897	Tapered pin.
		R200144 Bronze				
	(F120) 1975-78	R200066 Bronze	1.745" x 9.380"	B	8885621	

GMC/CHEVROLET
T70, T7500 (Continued)

Tie Rod Ends

Axle Rating Lbs.	Axle Code/Year	Part Number/ Location	Stud Center to Rod End	OEM Reference	Notes	
7000	(F070) 1973-78	R230013 Curbside	6.50"	3864354		
		R230012 Roadside		3864353		
	(F070) 1978	R230035 Curbside	4.93"	462390		Use w/6V-53 engine and 465018 axle.
		R230034 Roadside		462389		
8100	(FL1) 1997	R230144 Curbside	5.44"	12548111		
		R230143 Roadside		12548110		
9000	(F090) 1966-78	R230005 Curbside	3.88"	2330712	1966-72 All; 1973-78 w/688568 axle only.	
		R230004 Roadside		2330713		
	(F090) 1972-78	R230036 Curbside	4.875"	2037140	Except 688561; 688568; 2000765, 7, 8; 2002081, 83 axles.	
		R230037 Roadside		2037142		
11000	(FL2) 1997	R230142 Curbside	5.44"	12548108		
		R230141 Roadside		12548107		
12000	(F120) 1973-78	R230036 Curbside	4.875"	2037140	Except 688561; 688568; 2000765, 7, 8; 2002081, 83 axles.	
		R230037 Roadside		2037142		

T80, T8500

King Pin Kits

Axle Rating Lbs.	Axle Code/Year	Part Number/ Bushing Type	King Pin Size	Type	OEM Reference	Notes
7000	1964-66	R200024 Nylon	1.249" x 7.888"	A	3927943	From 1964, second design.
		R200025 Bronze				
9000	(F090) 1963-78	R200011 Bronze	8.750"	D	2321013	Tapered pin.
		R200022 Nylon			8885021	
11000	(F110) 1963-66	R200123 Nylon	9.750"	D	2264897	Tapered pin.
		R200144 Bronze				
12000	(F120) 1973-78	R200123 Nylon	9.750"	D	2264897	Tapered pin.
		R200144 Bronze				

Tie Rod Ends

Axle Rating Lbs.	Axle Code/Year	Part Number/ Location	Stud Center to Rod End	OEM Reference	Notes
7000	1963-66	R230013 Curbside	6.50"	3864354	
		R230012 Roadside		3864353	
8100	(FL1) 1997	R230144 Curbside	5.44"	12548110	
		R230143 Roadside			
9000	(F090) 1973-78	R230036 Curbside	4.875"	2037140	Exc. 688561; 688568; 2000765, 7, 8; 2002081, 83 axles.
		R230037 Roadside		2037142	
	1963-66	R230005 Curbside	3.88"	2330712	
		R230004 Roadside		2330713	
11000	(FL2) 1997	R230142 Curbside	5.44"	12548108	
		R230141 Roadside		12548107	
12000	(F120) 1973-78	R230036 Curbside	4.875"	2037140	Exc. 688561; 688568; 2000765, 7, 8; 2002081, 83 axles.
		R230037 Roadside		2037142	

T90, T9500

King Pin Kits

Axle Rating Lbs.	Axle Code/Year	Part Number/ Bushing Type	King Pin Size	Type	OEM Reference	Notes
9000	(F090) 1963-72	R200011 Bronze	8.750"	D	2321013	Tapered pin.
		R200022 Nylon			8885021	
11000	(F110) 1963-72	R200123 Nylon	9.750"	D	2264897	Tapered pin.
		R200144 Bronze				
12000	(F120) 1963-78	R200123 Nylon	9.750"	D	2264897	Tapered pin.
		R200144 Bronze				
16000	(F160) 1963-72	R200146 Nylon	10.688"	D	2394913, 2407799	Tapered pin.
		R200153 Bronze				

GMC/CHEVROLET

T90, T9500 (Continued)

Tie Rod Ends

Axle Rating Lbs.	Axle Code/Year	Part Number/ Location	Stud Center to Rod End	OEM Reference	Notes
9000	(F090) 1963-69	R230005 Curbside	3.88"	2330712	
		R230004 Roadside		2330713	
	(F090) 1970-72	R230025 Curbside	4.875"	671489	
		R230024 Roadside		671488	
12000	(F120) 1970-78	R230025 Curbside	4.875"	671489	
		R230024 Roadside		671488	

Titan, Astro, D9K, D9L

King Pin Kits

Axle Rating Lbs.	Axle Code/Year	Part Number/ Bushing Type	King Pin Size	Type	OEM Reference	Notes
9000	(F120D) 1981-82	R200066 Bronze	1.745" x 9.380"	B	8885621	
12000	(F120) 1979-87	R200066 Bronze	1.745" x 9.380"	B	8885621	
	(FF941) 1983-87	R200195 Bronze	1.794" x 10.392"	B	2010021	
		R201307 Easy Steer				15510849
16000	(FL931) 1979-83	R200198 Bronze	1.999" x 11.212"	B	2036352	
		R201312 Easy Steer			15585841	
18000	(FL941) 1983-87	R200198 Bronze	1.999" x 11.212"	B	2036352	
		R201312 Easy Steer			15585841	

Tie Rod Ends

Axle Rating Lbs.	Axle Code/Year	Part Number/ Location	Stud Center to Rod End	OEM Reference	Notes
12000	(F120) 1979-87	R230036 Curbside	4.875"	2037140	
		R230037 Roadside		2037142	
	(FF931) 1979-80	R230069 Curbside	5.44"	698572	
		R230068 Roadside		698571	
	(FF931) 1983-87	R230069 Curbside	5.44"	698572, 15515805	
		R230068 Roadside		698571, 15515804	
	(FF941) 1983-86	R230069 Curbside	5.44"	698572, 15515805	
		R230068 Roadside		698571, 15515804	
	(FF971) 1979-83	R230075 Curbside	10.50"	2055524	
		R230074 Roadside		2055523	
16000	(FL931) 1979-83	R230073 Curbside	7.37"	798203	
		R230072 Roadside		798204	
18000	(FL941) 1983-87	R230073 Curbside	7.37"	798203	
		R230072 Roadside		798204	

Drag Links

Axle Rating Lbs.	Axle Code/Year	Part Number	Stud Center to Stud Center	OEM Reference	Notes
12000	(F120) 1979-80	R250345	16.89"	15501673	
	(F120) 1979-83	R250054	17.90"	684196	Color coded white.
	(F120) 1984-87	R250345	16.89"	15501673	w/Ross or Sheppard power steering.
	(FF931) 1983-84	R250054	17.90"	684196	Color coded white.
	(FF941) 1983-84	R250054	17.90"	684196	Color coded white.
	(FF941) 1984-87	R250345	16.89"	15501673	w/Sheppard power steering.
	(FF971) 1983	R250054	17.90"	684196	Color coded white.
	(FL931) 1979-83	R250054	17.90"	684196	
16000	(FL931) 1984-87	R250345	16.89"	15501673	w/Sheppard power steering - LH.
		R250346		15501674	w/Sheppard power steering - RH.
	(FL941) 1983-84	R250054	17.90"	684196	Color coded white.
18000	(FL941) 1984-87	R250345	16.89"	15501673	w/Sheppard power steering - LH.
		R250346		15501674	w/Sheppard power steering - RH.

GMC/CHEVROLET

W60, W6N

King Pin Kits

Axle Rating Lbs.	Axle Code/Year	Part Number/ Bushing Type	King Pin Size	Type	OEM Reference	Notes
7000	(F070) 1979-80	R200024 Nylon	1.249" x 7.888"	A	3927943	
		R200025 Bronze				
9000	(F090) 1979-80	R200011 Bronze	8.750"	D	2321013 8885021	Tapered pin.
		R200022 Nylon				

Tie Rod Ends

Axle Rating Lbs.	Axle Code/Year	Part Number/ Location	Stud Center to Rod End	OEM Reference	Notes
7000	(F070) 1979-80	R230035 Curbside	4.93"	462390	
		R230034 Roadside		462389	
9000	(F090) 1979-80	R230036 Curbside	4.875"	2037140	
		R230037 Roadside		2037142	

W70

King Pin Kits

Axle Rating Lbs.	Axle Code/Year	Part Number/ Bushing Type	King Pin Size	Type	OEM Reference	Notes
9000	(F090) 1970-74	R200011 Bronze	8.750"	D	2321013	Tapered pin.
		R200022 Nylon			8885021	
12000	(F120) 1970-74	R200123 Nylon	9.750"	D	2264897	Tapered pin.
		R200144 Bronze				
16000	(FL901) 1971-74	R200168 Nylon	1.999" x 11.040"	B	2452865	
		R200170 Bronze				

Tie Rod Ends

Axle Rating Lbs.	Axle Code/Year	Part Number/ Location	Stud Center to Rod End	OEM Reference	Notes
9000	(F090) 1970-74	R230005 Curbside	3.88"	2330712	w/688568 axle.
		R230004 Roadside		2330713	
	(F090) 1972-74	R230036 Curbside	4.875"	2037140	Except 688561; 688568; 2000765, 7, 8; 2002081, 83 axles. Has three piece grease retainer.
		R230037 Roadside		2037142	
12000	(F120) 1970	R230025 Curbside	4.875"	671489	Rubber dust boot.
		R230024 Roadside		671488	
	(F120) 1973-74	R230036 Curbside	4.875"	2037140	Except 688561; 688568; 2000765, 7, 8; 2002081, 83 axles. Has three piece grease retainer.
		R230037 Roadside		2037142	
16000	(FL901) 1971-74	R230070 Curbside	5.75"	2452860	
		R230071 Roadside		2451861	

W70, W7N, W7500

King Pin Kits

Axle Rating Lbs.	Axle Code/Year	Part Number/ Bushing Type	King Pin Size	Type	OEM Reference	Notes
7000	(F070) 1979-80	R200024 Nylon	1.249" x 7.888"	A	3927943	
		R200025 Bronze				
9000	(F090) 1970-74	R200011 Bronze	8.750"	D	2321013	Tapered pin.
		R200022 Nylon			8885021	
	(F090) 1979-80	R200011 Bronze	8.750"		2321013	Tapered pin.
		R200022 Nylon			885021	
12000	(F120D) 1975-80	R200066 Bronze	1.745" x 9.380"	B	8885621	Tapered pin.
	(F120) 1970-74	R200123 Nylon	9.750"	D	2264897	
		R200144 Bronze				
	(F120, F120D) 1975-80	R200066 Bronze	1.745" x 9.380"	B	8885621	
16000	(FL901) 1971-74	R200168 Nylon	1.999" x 11.040"	B	2452865	
		R200170 Bronze				

GMC/CHEVROLET

W70, W7N, W7500 (Continued)

Tie Rod Ends

Axle Rating Lbs.	Axle Code/Year	Part Number/ Location	Stud Center to Rod End	OEM Reference	Notes
7000	(F070) 1979-80	R230035 Curbside	4.93"	462390	
		R230034 Roadside		462389	
9000	(F090) 1970-74	R230005 Curbside	3.88"	2330712	w/688568 axle.
		R230004 Roadside		2330713	
	(F090) 1972-74	R230036 Curbside	4.875"	2037140	Except 688561, 68; 2000765, 67, 68; 2002081, 83 axles. Has three piece grease retainer.
		R230037 Roadside		2037142	
(F120, F120D) 1979-80	R230036 Curbside	4.875"	2037140		
	R230037 Roadside		2037142		
12000	(F120) 1970	R230025 Curbside	4.875"	671489	Rubber dust boot.
		R230024 Roadside		671488	
	(F120) 1973-74	R230036 Curbside	4.875"	2037140	Except 688561, 68; 2000765, 67, 68; 2002081, 83 axles. Has three piece grease retainer.
		R230037 Roadside		2037142	
	(F120) 1979-80	R230036 Curbside	4.875"	2037140	
		R230037 Roadside		2037142	
(FL901) 1971-74	R230070 Curbside	5.75"	2452860		
	R230071 Roadside		2452861		

W80, W8500

King Pin Kits

Axle Rating Lbs.	Axle Code/Year	Part Number/ Bushing Type	King Pin Size	Type	OEM Reference	Notes
7000	1964-65	R200024 Nylon	1.249" x 7.888"	A	3927943	From 1964, second design.
		R200025 Bronze				
9000	(F090) 1973-78	R200011 Bronze	8.750"	D	2321013	Tapered pin.
		R200022 Nylon			8885021	
	1964-65	R200011 Bronze	8.750"	D	2321013	Tapered pin.
		R200022 Nylon			8885021	
11000	1964-65	R200123 Nylon	9.750"	D	2264897	Tapered pin.
		R200144 Bronze				
12000	(F120) 1973-78	R200123 Nylon	9.750"	D	2264897	Tapered pin.
		R200144 Bronze				
15000	(F150) 1963-69	R200146 Nylon	10.688"	D	2407799	Tapered pin.
		R200153 Bronze				

Tie Rod Ends

Axle Rating Lbs.	Axle Code/Year	Part Number/ Location	Stud Center to Rod End	OEM Reference	Notes
7000	1964-65	R230013 Curbside	6.50"	3864354	
		R230012 Roadside		3864353	
9000	(F090) 1973-78	R230036 Curbside	4.875"	2037140	Exc. 688561, 688568; 2000765, 7, 8; 2002081, 83 axles.
		R230037 Roadside		2037142	
	1964-65	R230005 Curbside	3.88"	2330712	
		R230004 Roadside		2330713	
12000	(F120) 1973-78	R230036 Curbside	4.875"	2037140	Exc. 688561, 688568; 2000765, 7, 8; 2002081, 83 axles.
		R230037 Roadside		2037142	

W90, W9500

King Pin Kits

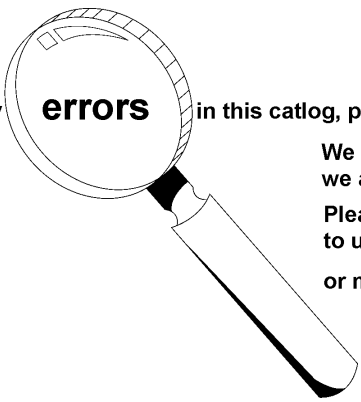
Axle Rating Lbs.	Axle Code/Year	Part Number/ Bushing Type	King Pin Size	Type	OEM Reference	Notes
9000	(F090) 1963-72	R200011 Bronze	8.750"	D	2321013	Tapered pin.
		R200022 Nylon			8885021	
11000	(F110) 1963-72	R200123 Nylon	9.750"	D	2264897	Tapered pin.
		R200144 Bronze				
12000	(F120) 1963-78	R200123 Nylon	9.750"	D	2264897	Tapered pin.
		R200144 Bronze				
16000	(F160) 1963-72	R200146 Nylon	10.688"	D	2394913, 2407799	Tapered pin.
		R200153 Bronze				

Axle Rating Lbs.	Axle Code/Year	Part Number/ Location	Stud Center to Rod End	OEM Reference	Notes
9000	(F090) 1963-69	R230005 Curbside	3.88"	2330712	
		R230004 Roadside		2330713	
	(F090) 1970-72	R230025 Curbside	4.875"	671489	
		R230024 Roadside		671488	
12000	(F120) 1970-78	R230025 Curbside	4.875"	671489	
		R230024 Roadside		671488	



MERITOR™

an **ArvinMeritor™** brand



If you detect any **errors** in this catalog, please let us know.

We want the information to be as accurate as possible; we appreciate your help in making it so.

Please e-mail any comments/suggestions/corrections to us at: catalogfeedback@arvinmeritor.com

or mail to: ArvinMeritor
 attn: Catalog Dept.
 7975 Dixie Highway
 Florence, KY 41042

KENWORTH

INDEX

Model	Page No.	Model	Page No.
C500	2-75	T450	2-78
K100	2-76	T600	2-79
L700	2-77	T800	2-80
T400	2-78	W900	2-80

King Pin Kits

Axle Rating Lbs.	Axle Code/Year	Part Number/ Bushing Type	King Pin Size	Type	OEM Reference	Notes
12000	(FE900)	R200123 Nylon	9.750"	D	KIT 123	Tapered pin.
		R200144 Bronze			KIT 144	
	(FE970)	R200156 Nylon	1.607" x 8.740"	B	KIT 156	
		R200157 Bronze			KIT 157	
		R201303 Stainless Steel	1.607" x 8.812"	B	KIT 1303	
	(FF901)	R200167 Nylon	1.794" x 9.120"	B	KIT 167	
		R200172 Bronze			KIT 172	
	(FF921)	R200193 Bronze	1.794" x 10.410"	B	KIT 193	
		R200199 Bronze			KIT 199	
	(FF931)	R200195 Bronze	1.794" x 10.392"	B	KIT 195	
R201307 Easy Steer		KIT 1307				
(FF971)	R201300 Bronze	1.607" x 9.375"	B	KIT 1300		
16000	(FH901)	R200168 Nylon	1.999" x 11.040"	B	KIT 168	
		R200170 Bronze			KIT 170	
16000, 18000, 20000	(FL931)	R200198 Bronze	1.999" x 11.212"	B	KIT 198	
		R201312 Easy Steer			KIT 1312	
18000	(FL901)	R200168 Nylon	1.999" x 11.040"	B	KIT 168	
		R200170 Bronze			KIT 170	
22000	(FL951)	R200198 Bronze	1.999" x 11.212"	B	KIT 198	
		R201312 Easy Steer			KIT 1312	

Tie Rod Ends

Axle Rating Lbs.	Axle Code/Year	Part Number/ Location	Stud Center to Rod End	OEM Reference	Notes	
12000	(FE900)	R230061 Curbside	4.875"	A3144R226		
		R230060 Roadside		A3144Q225		
		R230070 Curbside	5.75"	A3144J296		
		R230071 Roadside		A3144K297		
	(FE970)	R230061 Curbside	4.875"	A3144R226		
		R230060 Roadside		A3144Q225		
		R230070 Curbside	5.75"	A3144J296		
		R230071 Roadside		A3144K297		
	(FF901)	R230075 Curbside	10.50"	A3144N534		Will retrofit older axles.
		R230074 Roadside		A3144M533		
		R230061 Curbside	4.875"	A3144R226		
		R230060 Roadside		A3144Q225		
	(FF921), (FF931)	R230066 Curbside	5.75"	A3144C237		Anti-tilt seal type.
		R230067 Roadside		A3144D238		
		R230070 Curbside	5.75"	A3144J296		
		R230071 Roadside		A3144K297		
(FF971)	R230090 Roadside	5.44"	A3144Q459	1.125"-18 optional thread.		
	R230069 Curbside		A3144D524	Greaseable type.		
	R230068 Roadside		A3144E525			
(FF971)	R230075 Curbside	10.50"	A3144N534	Center point steering.		
	R230074 Roadside		A3144M533			
16000	(FH901)	R230070 Curbside	5.75"	A3144J296		
		R230071 Roadside		A3144K297		
16000, 18000, 20000	(FL931)	R230070 Curbside	5.75"	A3144J296		
		R230071 Roadside		A3144K297		
		R230073 Curbside	7.37"	A3144V438		
		R230072 Roadside		A3144U437		
		R230104 Curbside		A3144D550		
R230105 Roadside	A3144C549					
18000	(FL901)	R230070 Curbside	5.75"	A3144J296		
		R230071 Roadside		A3144K297		

KENWORTH

K100

King Pin Kits

Axle Rating Lbs.	Axle Code/Year	Part Number/ Bushing Type	King Pin Size	Type	OEM Reference	Notes
12000	(FE900)	R200123 Nylon	9.750"	D	KIT 123	Tapered pin.
		R200144 Bronze			KIT 144	
	(FE970)	R200156 Nylon	1.607" x 8.740"	B	KIT 156	
		R200157 Bronze			KIT 157	
		R201303 Stainless Steel	1.607" x 8.812"	B	KIT 1303	
	(FF901)	R201303 Stainless Steel	1.607" x 8.812"	B	KIT 1303	
	(FF921)	R200167 Nylon	1.794" x 9.120"	B	KIT 167	
		R200172 Bronze			KIT 172	
	(FF931)	R200193 Bronze	1.794" x 10.410"	B	KIT 193	
		R200199 Bronze			KIT 199	
(FF971)	R200195 Bronze	1.794" x 10.392"	B	KIT 195	Contains washers.	
	R201307 Easy Steer			KIT 1307		
16000	(FH901)	R200168 Nylon	1.999" x 11.040"	B	KIT 168	
		R200170 Bronze			KIT 170	
16000, 18000, 20000	(FL931)	R200198 Bronze	1.999" x 11.212"	B	KIT 198	
		R201312 Easy Steer			KIT 1312	
18000	(FL901)	R200168 Nylon	1.999" x 11.040"	B	KIT 168	
		R200170 Bronze			KIT 170	

Tie Rod Ends

Axle Rating Lbs.	Axle Code/Year	Part Number/ Location	Stud Center to Rod End	OEM Reference	Notes	
12000	(FE900)	R230061 Curbside	4.875"	A3144R226		
		R230060 Roadside		A3144Q225		
		R230070 Curbside	5.75"	A3144J296		
		R230071 Roadside		A3144K297		
	(FE970)	R230061 Curbside	4.875"	A3144R226		
		R230060 Roadside		A3144Q225		
		R230070 Curbside	5.75"	A3144J296		
		R230071 Roadside		A3144K297		
		R230075 Curbside	10.50"	A3144N534		Will retrofit older axles.
	R230074 Roadside	A3144M533				
	(FF901)	R230061 Curbside	4.875"	A3144R226		
		R230060 Roadside		A3144Q225		
	(FF921)	R230061 Curbside	4.875"	A3144R226		
		R230060 Roadside		A3144Q225		
		R230066 Curbside	5.75"	A3144C237		Anti-tilt seal type.
		R230067 Roadside		A3144D238		
R230070 Curbside		5.75"	A3144J296			
R230071 Roadside	A3144K297					
(FF921), (FF931)	R230090 Roadside	5.44"	A3144Q459	1.125"-18 optional thread.		
	R230069 Curbside		A3144D524			
	R230068 Roadside	10.50"	A3144E525	Greaseable type.		
	R230075 Curbside		A3144N534			
(FF971)	R230074 Roadside	10.50"	A3144M533	Center point steering.		
	R230070 Curbside		A3144J296			
16000	(FH901)	R230070 Curbside	5.75"	A3144J296		
		R230071 Roadside		A3144K297		
16000, 18000, 20000	(FL931)	R230070 Curbside	5.75"	A3144J296		
		R230071 Roadside		A3144K297		
		R230073 Curbside	7.37"	A3144F448		
		R230072 Roadside		A3144G449		
		R230104 Curbside	12.69"	A3144D550		
		R230105 Roadside		A3144C549		
18000	(FL901)	R230070 Curbside	5.75"	A3144J296		
		R230071 Roadside		A3144K297		

King Pin Kits

Axle Rating Lbs.	Axle Code/Year	Part Number/ Bushing Type	King Pin Size	Type	OEM Reference	Notes
12000	(FE900)	R200123 Nylon	9.750"	D	KIT 123	Tapered pin.
		R200144 Bronze			KIT 144	
	(FE970)	R200156 Nylon	1.607" x 8.740"	B	KIT 156	
		R200157 Bronze			KIT 157	
		R201303 Stainless Steel	1.607" x 8.812"	B	KIT 1303	
	(FF901)	R200167 Nylon	1.794" x 9.120"	B	KIT 167	
		R200172 Bronze			KIT 172	
	(FF921)	R200193 Bronze	1.794" x 10.410"	B	KIT 193	
		R200199 Bronze			KIT 199	
	(FF931)	R200195 Bronze	1.794" x 10.392"	B	KIT 195	
R201307 Easy Steer		KIT 1307				
(FF971)	R201300 Bronze	1.607" x 9.375"	B	KIT 1300		
16000	(FH901)	R200168 Nylon	1.999" x 11.040"	B	KIT 168	
		R200170 Bronze			KIT 170	
16000, 18000, 20000	(FL931)	R200198 Bronze	1.999" x 11.212"	B	KIT 198	
		R201312 Easy Steer			KIT 1312	
18000	(FL901)	R200168 Nylon	1.999" x 11.040"	B	KIT 168	
		R200170 Bronze			KIT 170	

Tie Rod Ends

Axle Rating Lbs.	Axle Code/Year	Part Number/ Location	Stud Center to Rod End	OEM Reference	Notes	
12000	(FE900)	R230061 Curbside	4.875"	A3144R226		
		R230060 Roadside		A3144Q225		
		R230070 Curbside		A3144J296		
		R230071 Roadside		A3144K297		
	(FE970)	R230061 Curbside	4.875"	A3144R226		
		R230060 Roadside		A3144Q225		
		R230070 Curbside	5.75"	A3144J296		
		R230071 Roadside		A3144K297		
		R230075 Curbside	10.50"	A3144N534		Will retrofit older axles.
		R230074 Roadside		A3144M533		
	(FF901)	R230061 Curbside	4.875"	A3144R226		
		R230060 Roadside		A3144Q225		
		R230066 Curbside	5.75"	A3144C237		Anti-tilt seal type.
		R230067 Roadside		A3144D238		
		R230070 Curbside	5.75"	A3144J296		
	R230071 Roadside	A3144K297				
	(FF921), (FF931)	R230090 Roadside	5.44"	A3144Q459		1.125"-18 optional thread.
		R230069 Curbside		A3144D524		Greaseable type.
R230068 Roadside		A3144E525				
(FF971)	R230075 Curbside	10.50"	A3144N534	Center point steering.		
	R230074 Roadside		A3144M533			
16000	(FH901)	R230070 Curbside	5.75"	A3144J296		
		R230071 Roadside		A3144K297		
16000, 18000, 20000	(FL931)	R230070 Curbside	5.75"	A3144J296		
		R230071 Roadside		A3144K297		
		R230073 Curbside	7.37"	A3144F448		
		R230072 Roadside		A3144G449		
18000	(FL901)	R230070 Curbside	5.75"	A3144J296		
		R230071 Roadside		A3144K297		

KENWORTH

T400

King Pin Kits

Axle Rating Lbs.	Axle Code/Year	Part Number/ Bushings Type	King Pin Size	Type	OEM Reference	Notes
10000	(FD961)	R201315 Easy Steer	1.794" x 10.392"	B		
12000	(FF941)	R200195 Bronze	1.794" x 10.392"	B		
		R201307 Easy Steer				
12000, 13000	(FF961)	R201315 Easy Steer	1.794" x 10.392"	B		
		R200267 Composite				
14600	(FG941)	R200269 Bronze	1.794" x 10.392"	A		
		R201309 Easy Steer				
		R201310 Bronze				

Tie Rod Ends

Axle Rating Lbs.	Axle Code/Year	Part Number/ Location	Stud Center to Rod End	OEM Reference	Notes
10000	(FD961)	R230090 Roadside	5.44"	A3144Q459	1.125"-18 optional thread.
		R230069 Curbside		A3144D524	Greaseable type.
		R230068 Roadside		A3144E525	
12000	(FF941), (FF961)	R230090 Roadside	5.44"	A3144Q459	1.125"-18 optional thread.
		R230069 Curbside		A3144D524	Greaseable type.
		R230068 Roadside		A3144E525	
12000, 13000	EFA-12F3, EFA-13F3, EFA-12F4, EFA-13F5	R230069 Curbside	5.44"		Greaseable type.
		R230068 Roadside			
		R230420 Curbside	8.12"		
		R230421 Roadside			
14600	(FG941)	R230090 Roadside	5.44"	A3144E525	1.125"-18 optional thread.
		R230069 Curbside		A3144D524	Greaseable type.
		R230068 Roadside		A3144E525	

Drag Links

Axle Rating Lbs.	Axle Code/Year	Part Number	Stud Center to Stud Center	OEM Reference	Notes
All	All	R250088	28.28"	L24VU800&A11	Non-replaceable ends.

T450

King Pin Kits

Axle Rating Lbs.	Axle Code/Year	Part Number/ Bushings Type	King Pin Size	Type	OEM Reference	Notes
10000	(FD961)	R201315 Easy Steer	1.794" x 10.392"	B		
12000	(FF941)	R200195 Bronze	1.794" x 10.392"	B		
		R201307 Easy Steer				
12000, 13000	(FF961)	R201315 Easy Steer	1.794" x 10.392"	B		
		R200267 Composite				
14600	(FG941)	R200269 Bronze	1.794" x 10.392"	A		
		R201309 Easy Steer				
		R201310 Bronze				
16000, 18000, 20000	(FL941), (FL943)	R200198 Bronze	1.999" x 11.212"	B		
		R201312 Easy Steer				

KENWORTH

T450 (Continued)

Tie Rod Ends

Axle Rating Lbs.	Axle Code/Year	Part Number/ Location	Stud Center to Rod End	OEM Reference	Notes
10000	(FD961)	R230090 Roadside	5.44"	A3144Q459	1.125"-18 optional thread.
		R230069 Curbside		A3144D524	Greaseable type.
		R230068 Roadside		A3144E525	
12000	(FF941), (FF943), (FF961)	R230090 Roadside	5.44"	A3144Q459	1.125"-18 optional thread.
		R230069 Curbside		A3144D524	Greaseable type.
		R230068 Roadside		A3144E525	
12000, 13000	EFA-12F3, EFA-13F3, EFA-12F4, EFA-13F5	R230069 Curbside	5.44"		Greaseable type.
		R230068 Roadside	8.12"		
		R230420 Curbside			
		R230421 Roadside			
14600	(FG941)	R230090 Roadside	5.44"	A3144E525	1.125"-18 optional thread.
		R230069 Curbside		A3144D524	Greaseable type.
		R230068 Roadside		A3144E525	
16000, 18000, 20000	(FL941), (FL943)	R230070 Curbside	5.75"	A3144J296	
		R230071 Roadside	7.37"	A3144K297	
		R230073 Curbside		A3144F448	
		R230072 Roadside	12.69"	A3144G449	
		R230104 Curbside		A3144D550	
		R230105 Roadside		A3144C549	

Drag Links

Axle Rating Lbs.	Axle Code/Year	Part Number	Stud Center to Stud Center	OEM Reference	Notes
All	All	R250088	28.28"	L24VU8008A11	Non-replaceable ends.

T600

King Pin Kits

Axle Rating Lbs.	Axle Code/Year	Part Number/ Bushing Type	King Pin Size	Type	OEM Reference	Notes
12000	(FF941), (FF943), (FF961)	R200195 Bronze	1.794" x 10.392"	B		
		R201307 Easy Steer				
		R201315 Easy Steer				
12000, 13000	EFA-12F4, EFA-13F5	R200267 Composite	1.625" x 9.195"	A		
		R200269 Bronze				
14600	(FG941)	R201309 Easy Steer	1.794" x 10.392"	B		
		R201310 Bronze				

Tie Rod Ends

Axle Rating Lbs.	Axle Code/Year	Part Number/ Location	Stud Center to Rod End	OEM Reference	Notes
12000	(FF941), (FF943), (FF961)	R230090 Roadside	5.44"	A3144Q459	1.125"-18 optional thread.
		R230069 Curbside		A3144D524	Greaseable type.
		R230068 Roadside		A3144E525	
12000, 13000	EFA-12F3, EFA-13F3, EFA-12F4, EFA-13F5	R230069 Curbside	5.44"		Greaseable type.
		R230068 Roadside	8.12"		
		R230420 Curbside			
		R230421 Roadside			
14600	(FG941)	R230090 Roadside	5.44"	A3144E525	1.125"-18 optional thread.
		R230069 Curbside		A3144D524	Greaseable type.
		R230068 Roadside		A3144E525	

Drag Links

Axle Rating Lbs.	Axle Code/Year	Part Number	Stud Center to Stud Center	OEM Reference	Notes
All	All	R250088	28.28"	L24VU8008A11	Non-replaceable ends.

KENWORTH

T800

King Pin Kits

Axle Rating Lbs.	Axle Code/Year	Part Number/ Bushings Type	King Pin Size	Type	OEM Reference	Notes
12000	(FF941)	R200195 Bronze	1.794" x 10.392"	B		
		R201307 Easy Steer				
12000, 13000	(FF961)	R201315 Easy Steer	1.794" x 10.392"	B		
		R200267 Composite				
14600	(FG941)	R200269 Bronze	1.625" x 9.195"	A		
		R201309 Easy Steer				
16000, 18000, 20000	(FL941), (FL943)	R201310 Bronze	1.794" x 10.392"	B		
		R200198 Bronze				
		R201312 Easy Steer				

Tie Rod Ends

Axle Rating Lbs.	Axle Code/Year	Part Number/ Location	Stud Center to Rod End	OEM Reference	Notes
12000	(FF941), (FF943), (FF961)	R230090 Roadside	5.44"	A3144Q459	1.125"-18 optional thread. Greaseable type.
		R230069 Curbside		A3144D524	
		R230068 Roadside		A3144E525	
12000, 13000	EFA-12F3, EFA-13F3, EFA-12F4, EFA-13F5	R230069 Curbside	5.44"		Greaseable type.
		R230068 Roadside			
		R230420 Curbside	8.12"		
		R230421 Roadside			
14600	(FG941)	R230090 Roadside	5.44"	A3144E525	1.125"-18 optional thread. Greaseable type.
		R230069 Curbside		A3144D524	
		R230068 Roadside		A3144E525	
16000, 18000, 20000	(FL941), (FL943)	R230070 Curbside	5.75"	A3144J296	
		R230071 Roadside		A3144K297	
		R230073 Curbside	7.37"	A3144F448	
		R230072 Roadside		A3144G449	
		R230104 Curbside	12.69"	A3144D550	
		R230105 Roadside		A3144C549	

Drag Links

Axle Rating Lbs.	Axle Code/Year	Part Number	Stud Center to Stud Center	OEM Reference	Notes
All	All	R250088	28.28"	L24VU8008A11	Non-replaceable ends.

W900

King Pin Kits

Axle Rating Lbs.	Axle Code/Year	Part Number/ Bushings Type	King Pin Size	Type	OEM Reference	Notes	
12000	(FE900)	R200123 Nylon	9.750"	D		Tapered pin.	
		R200144 Bronze					
	(FE970)	R200156 Nylon	1.607" x 8.740"	B	KIT 156		
		R200157 Bronze	1.607" x 8.812"	B	KIT 157		
		R201303 Stainless Steel			KIT 1303		
	(FF901)	R200167 Nylon	1.794" x 9.120"	B	KIT 167		
		R200172 Bronze			KIT 172		
	(FF921)	R200193 Bronze	1.794" x 10.410"	B	KIT 193		
		R200199 Bronze			KIT 199		
	(FF931), (FF941)	R200195 Bronze	1.794" x 10.392"	B	KIT 195		
		R201307 Easy Steer			KIT 1307		
	(FF971)	R201300 Bronze	1.607" x 9.375"	B	KIT 1300		
	12000, 13000	EFA-12F4, EFA-13F5	R200267 Composite	1.625" x 9.195"	A	806355	
			R200269 Bronze				
14600	(FG941)	R201309 Easy Steer	1.794" x 10.392"	B	KIT 1309		
		R201310 Bronze			KIT 1310		
16000	(FH901)	R200168 Nylon	1.999" x 11.040"	B	KIT 168		
		R200170 Bronze			KIT 170		
16000, 18000, 20000	(FL931), (FL941)	R200198 Bronze	1.999" x 11.212"	B	KIT 198		
		R201312 Easy Steer			KIT 1312		

KENWORTH

W900 (Continued)

King Pin Kits (Continued)

Axle Rating Lbs.	Axle Code/Year	Part Number/ Bushing Type	King Pin Size	Type	OEM Reference	Notes
18000, 20000, 22000	EFA-18F3, EFA-20F4	R200250 Composite	1.873" x 9.965"	A	1008500	

Tie Rod Ends

Axle Rating Lbs.	Axle Code/Year	Part Number/ Location	Stud Center to Rod End	OEM Reference	Notes	
12000	(FE900)	R230061 Curbside	4.875"	A3144R226		
		R230060 Roadside		A3144Q225		
		R230070 Curbside	5.75"	A3144J296		
		R230071 Roadside		A3144K297		
	(FE970)	R230061 Curbside	4.875"	A3144R226		
		R230060 Roadside		A3144Q225		
		R230070 Curbside	5.75"	A3144J296		
		R230071 Roadside		A3144K297		
		R230075 Curbside	10.50"	A3144N534		Will retrofit older axles.
		R230074 Roadside		A3144M533		
	(FF901)	R230061 Curbside	4.875"	A3144R226		
		R230060 Roadside		L28SV5052A1		
		R230066 Curbside	5.75"	A3144C237		Anti-tilt seal type.
		R230067 Roadside		A3144D238		
		R230070 Curbside	5.75"	A3144J296		
	(FF921), (FF931), (FF941)	R230090 Roadside	5.44"	A3144Q459		1.125"-18 optional thread.
		R230069 Curbside		A3144D524		Greaseable type.
		R230068 Roadside		A3144E525		
	(FF971)	R230075 Curbside	10.50"	A3144N534		Center point steering.
		R230074 Roadside		A3144M533		
12000, 13200	EFA-12F4, EFA-13F5	R230069 Curbside	5.44"	1006149		
		R230068 Roadside		1006148		
		R230420 Curbside	8.12"	1009010		
		R230421 Roadside		1009009		
16000	(FH901)	R230070 Curbside	5.75"	A3144J296		
		R230071 Roadside		A3144K297		
16000, 18000, 20000	(FL931)	R230070 Curbside	5.75"	A3144J296		
		R230071 Roadside		A3144K297		
18000	(FL901)	R230070 Curbside	5.75"	A3144J296		
		R230071 Roadside		A3144K297		
	(FL931)	R230073 Curbside	7.37"	A3144F448		
		R230072 Roadside		A3144G449		
18000, 20000, 22000	EFA-18F3, EFA-20F4	R230073 Curbside	7.37"	820627, 820695		
		R230072 Roadside		820626, 820694		

Drag Links

Axle Rating Lbs.	Axle Code/Year	Part Number	Stud Center to Stud Center	OEM Reference	Notes
All	(All)	R230041	5.75" Stud center to rod end		Drag link end used on R250056.
		R230073	7.37" Stud center to rod end	L28SV5202A1	Drag link end used on R250055 and R250057.
12000, 16000, 18000	(All)	R250055	29.56"	K162-280	
		R250056	29.56"	K162-311	
		R250057	30.56"	K162-363	

INDEX

Model	Page No.	Model	Page No.
B42, B67, B70	2-83	R400	2-87
B53, B57	2-83	R600, R685R, R685ST, R686ST	2-88
B61	2-83	R600L, R600LS, R700L, R700LS, RWL700S,	
DM400, MB400, MB600	2-83	RWS700S, WL700L, W700LS, WS700L, WS700LS	2-89
DM600, DM606S, DM607S, DM685S, DM685T	2-84	RD400	2-90
DM800	2-85	RD600, R700	2-91
DMM600, RD700	2-86	U600, U68ST, F700, F786ST, R767ST	2-92
MC400, MR400, MC600, MR600	2-87		

MACK**B42, B67, B70****King Pin Kits**

Axle Rating Lbs.	Axle Code/Year	Part Number/ Bushings Type	King Pin Size	Type	OEM Reference	Notes
8000	FA505	R200063 Bronze	6.690"	E	301SQ45A	Tapered pin 1963-65.
10000	FA517	R200064 Bronze	7.400"	E	301SQ46A	Tapered pin 1963-65.

B53, B57**King Pin Kits**

Axle Rating Lbs.	Axle Code/Year	Part Number/ Bushings Type	King Pin Size	Type	OEM Reference	Notes
18000	FA604 (FL901)	R200168 Nylon R200170 Bronze	1.999" x 11.040"	B	301SQ44	

Tie Rod Ends

Axle Rating Lbs.	Axle Code/Year	Part Number/ Location	Stud Center to Rod End	OEM Reference	Notes
18000	FA604 (FL901)	R230041 Curbside	5.75"	10QH39P1 10QH310P1	Side zerk.
		R230042 Roadside			
		R230070 Curbside	5.75"		
		R230071 Roadside			

B61**King Pin Kits**

Axle Rating Lbs.	Axle Code/Year	Part Number/ Bushings Type	King Pin Size	Type	OEM Reference	Notes
8000	FA505	R200063 Bronze	6.690"	E	301SQ45A	Tapered pin 1963-65.
9500	FA507	R200064 Bronze	7.400"	E	301SQ46A	Tapered pin 1963-65.

DM400, MB400, MB600**King Pin Kits**

Axle Rating Lbs.	Axle Code/Year	Part Number/ Bushings Type	King Pin Size	Type	OEM Reference	Notes
10500	FA532, FA(W)536	R200065 Bronze	7.470"	E	301SQ47CP1	Tapered pin.
	FA535	R200064 Bronze	7.400"	E	301SQ46A	
12000	FA(W)537	R200065 Bronze	7.470"	E	301SQ47CP1	Tapered pin.
18000	FA(W)616	R200071 Bronze	8.750"	E	301SQ52	Tapered pin.
20000	FA(W)617	R200071 Bronze	8.750"	E	301SQ52	Tapered pin.

Tie Rod Ends

Axle Rating Lbs.	Axle Code/Year	Part Number/ Location	Stud Center to Rod End	OEM Reference	Notes	
10500	FA(W)536	R230061 Curbside	4.875"	10QH242P1	Coarse thread.	
		R230060 Roadside		10QH243P2		
		R230043 Curbside		10QH243P1		
		R230041 Curbside	5.75"	Side zerk.		
		R230042 Roadside				
		R230070 Curbside				10QH39P1
	R230071 Roadside	5.75"	10QH310P1			
	FA532	R230025 Curbside	4.875"		10QH38	
	12000	FA(W)537	R230041 Curbside		5.75"	10QH39P1 10QH310P1
			R230042 Roadside			
R230070 Curbside			5.75"			
R230071 Roadside						
18000	FA(W)616	R230041 Curbside	5.75"	10QH39P1 10QH310P1 10QH311P1 10QH312P1	Side zerk.	
		R230042 Roadside				
		R230070 Curbside	5.75"			Use with tube 7QH253P1, 7QH253P2.
		R230071 Roadside				
		R230073 Curbside				7.37"
R230072 Roadside						

MACK

DM400, MB400, MB600 (Continued)

Tie Rod Ends (Continued)

Axle Rating Lbs.	Axle Code/Year	Part Number/ Location	Stud Center to Rod End	OEM Reference	Notes
20000	FA(W)617	R230041 Curbside	5.75"		Side zerk.
		R230042 Roadside			
		R230070 Curbside	5.75"	10QH39P1	Use with tube 7QH253P1, 7QH253P2.
		R230071 Roadside		10QH310P1	
		R230073 Curbside	7.37"	10QH311P1	Use with tube 7QH253P3, 7QH253P4.
		R230072 Roadside		10QH312P1	

Drag Links

Axle Rating Lbs.	Axle Code/Year	Part Number	Stud Center to Stud Center	OEM Reference	Notes
12000	FA(W)537	R230041	5.75" Stud center to rod end	18QK29301	Drag link end socket - RH thread. Use w/tube stamped 39305.
		R230041		18QK23A	Drag link end socket - RH thread.
		R230042		18QK28A	Drag link end socket - LH thread.
18000	FA(W)616	R230041	5.75" Stud center to rod end	18QK29301	Drag link end socket - RH thread. Use w/tube stamped 39305.
		R230041		18QK23A	Drag link end socket - RH thread.
		R230042		18QK28A	Drag link end socket - LH thread.
20000	FA(W)617	R230041	5.75" Stud center to rod end	18QK29301	Drag link end socket - RH thread. Use w/tube stamped 39305.
		R230041		18QK23A	Drag link end socket - RH thread.
		R230042		18QK28A	Drag link end socket - LH thread.

DM600, DM606S, DM607S, DM685S, DM685T

King Pin Kits

Axle Rating Lbs.	Axle Code/Year	Part Number/ Bushing Type	King Pin Size	Type	OEM Reference	Notes
10500	FA532, FA(W)536	R200065 Bronze	7.470"	E	301SQ47CP1	Tapered pin.
	FA535	R200064 Bronze	7.400"	E	301SQ46A	
12000	FA(W)537, FA(W)537C	R200065 Bronze	7.470"	E	301SQ47CP1	Tapered pin.
18000	FA(W)616	R200071 Bronze	8.750"	E	301SQ52	Tapered pin.
20000	FA(W)617	R200071 Bronze	8.750"	E	301SQ52	Tapered pin.

Tie Rod Ends

Axle Rating Lbs.	Axle Code/Year	Part Number/ Location	Stud Center to Rod End	OEM Reference	Notes
10500	FA(W)536	R230061 Curbside	4.875"	10QH242P1	Coarse thread.
		R230060 Roadside		10QH243P2	
		R230043 Curbside		10QH243P1	
		R230041 Curbside	5.75"		Side zerk.
		R230042 Roadside			
		R230070 Curbside	5.75"	10QH39P1	
		R230071 Roadside		10QH310P1	
	FA532	R230025 Curbside	4.875"	10QH38	
12000	FA(W)537, FA(W)537C	R230041 Curbside	5.75"		Side zerk.
		R230042 Roadside			
		R230070 Curbside	5.75"	10QH39P1	
		R230071 Roadside		10QH310P1	
18000	FA(W)616	R230041 Curbside	5.75"		Side zerk.
		R230042 Roadside			
		R230070 Curbside	5.75"	10QH39P1	Use with tube 7QH253P1, 7QH253P2. For units built before 2/20/84.
		R230071 Roadside		10QH310P1	
		R230073 Curbside	7.37"	10QH311P1	Use with tube 7QH253P3, 7QH253P4. For units built after 2/20/84.
		R230072 Roadside		10QH312P1	
20000	FA(W)617	R230073 Curbside	7.37"	10QH311P1	Use with tube 7QH253P3, 7QH253P4.
		R230072 Roadside		10QH312P1	
	FA(W)617, FA(W)617D	R230041 Curbside	5.75"		Side zerk.
		R230042 Roadside			
		R230070 Curbside	5.75"	10QH39P1	Use with tube 7QH253P1, 7QH253P2.
		R230071 Roadside		10QH310P1	

DM600, DM606S, DM607S, DM685S, DM685T (Continued)

Drag Links

Axle Rating Lbs.	Axle Code/Year	Part Number	Stud Center to Stud Center	OEM Reference	Notes
10500	FA(W)536	R230041	5.75" Stud center to rod end	18QK23A	Drag link end socket - RH thread.
		R230041		18QK29301	Drag link end socket - RH thread. Use w/tube stamped 39305.
		R230042		18QK28A	Drag link end socket - LH thread.
12000	FA(W)537	R230041	5.75" Stud center to rod end	18QK29301	Drag link end socket - RH thread. Use w/tube stamped 39305.
		R230041		18QK23A	Drag link end socket - RH thread.
		R230042		18QK28A	Drag link end socket - LH thread.
18000	FA(W)616	R230041	5.75" Stud center to rod end	18QK23A	Drag link end socket - RH thread.
		R230041		18QK29301	Drag link end socket - RH thread. Use w/tube stamped 39305.
		R230042		18QK28A	Drag link end socket - LH thread.
20000	FA(W)617	R230041	5.75" Stud center to rod end	18QK29301	Drag link end socket - RH thread. Use w/tube stamped 39305.
		R230041		18QK23A	Drag link end socket - RH thread.
		R230042		18QK28A	Drag link end socket - LH thread.

DM800

King Pin Kits

Axle Rating Lbs.	Axle Code/Year	Part Number/ Bushing Type	King Pin Size	Type	OEM Reference	Notes
18000	FA(W)616	R200071 Bronze	8.750"	E	301SQ52	Tapered pin.
20000	FA(W)617	R200071 Bronze	8.750"	E	301SQ52	Tapered pin.
23000	FA703	R200072 Bronze	12.843"	D	301SQ31C	Tapered pin.

Tie Rod Ends

Axle Rating Lbs.	Axle Code/Year	Part Number/ Location	Stud Center to Rod End	OEM Reference	Notes
18000	FA(W)616	R230041 Curbside	5.75"		Side zerk.
		R230042 Roadside			
		R230070 Curbside	5.75"	10QH39P1	Use with tube 7QH2531P1, 7QH253P2.
		R230071 Roadside		10QH310P1	
		R230073 Curbside	7.37"	10QH311P1	Use with tube 7QH253P3, 7QH253P4.
R230072 Roadside		10QH312P1			
20000	FA(W)617	R230041 Curbside	5.75"		Side zerk.
		R230042 Roadside			
		R230070 Curbside	5.75"	10QH39P1	Use with tube 7QH2531P1, 7QH253P2. For units built before 2/20/84.
		R230071 Roadside		10QH310P1	
		R230073 Curbside	7.37"	10QH311P1	Use with tube 7QH253P3, 7QH253P4. For units built after 2/20/84.
R230072 Roadside		10QH312P1			

Drag Links

Axle Rating Lbs.	Axle Code/Year	Part Number	Stud Center to Stud Center	OEM Reference	Notes
18000	FA616	R230041	5.75" Stud center to rod end	18QK23A	Drag link end socket - RH thread.
		R230041		18QK29301	Drag link end socket - RH thread. Use w/tube stamped 39305.
		R230042		18QK28A	Drag link end socket - LH thread.
20000	FA617	R230041	5.75" Stud center to rod end	18QK29301	Drag link end socket - RH thread. Use w/tube stamped 39305.
		R230041		18QK23A	Drag link end socket - RH thread.
		R230042		18QK28A	Drag link end socket - LH thread.

MACK

DMM600, RD700

King Pin Kits

Axle Rating Lbs.	Axle Code/Year	Part Number/ Bushing Type	King Pin Size	Type	OEM Reference	Notes
10500	FA532, FA(W)536	R200065 Bronze	7.470"	E	301SQ47CP1	Tapered pin.
	FA535	R200064 Bronze	7.400"	E	301SQ46A	Tapered pin.
12000	FA(W)537	R200065 Bronze	7.470"	E	301SQ47CP1	Tapered pin.
18000	FA(W)616	R200071 Bronze	8.750"	E	301SQ52	Tapered pin.
20000	FA(W)617	R200071 Bronze	8.750"	E	301SQ52	Tapered pin.

Tie Rod Ends

Axle Rating Lbs.	Axle Code/Year	Part Number/ Location	Stud Center to Rod End	OEM Reference	Notes	
10500	FA(W)536	R230061 Curbside	4.875"	10QH242P1	Coarse thread.	
		R230060 Roadside		10QH243P2		
		R230043 Curbside		10QH243P1		
		R230041 Curbside	5.75"		Side zerk.	
		R230042 Roadside				
		R230070 Curbside		10QH39P1		
R230071 Roadside	10QH310P1					
FA532	R230025 Curbside	4.875"	10QH38			
12000	FA(W)537	R230041 Curbside	5.75"		Side zerk.	
		R230042 Roadside				
		R230070 Curbside	5.75"	10QH39P1		
		R230071 Roadside		10QH310P1		
18000	FA(W)616	R230041 Curbside	5.75"		Side zerk.	
		R230042 Roadside				
		R230070 Curbside	5.75"	10QH39P1		Use with tube 7QH253P1, 7QH253P2.
		R230071 Roadside		10QH310P1		
		R230073 Curbside	7.37"	10QH311P1		Use with tube 7QH253P3, 7QH253P4.
R230072 Roadside	10QH312P1					
20000	FA(W)617	R230041 Curbside	5.75"		Side zerk.	
		R230042 Roadside				
		R230073 Curbside	7.37"	10QH311P1		Use with tube 7QH253P3, 7QH253P4.
		R230072 Roadside		10QH312P1		
	FA(W)617, FA(W)617D	R230070 Curbside	5.75"	10QH39P1		Use with tube 7QH253P1, 7QH253P2.
		R230071 Roadside		10QH310P1		

Drag Links

Axle Rating Lbs.	Axle Code/Year	Part Number	Stud Center to Stud Center	OEM Reference	Notes
10500	FA(W)536	R230041	5.75" Stud center to rod end	18QK23A	Drag link end socket - RH thread.
		R230041		18QK29301	Drag link end socket - RH thread. Use w/tube stamped 39305.
		R230042		18QK28A	Drag link end socket - LH thread.
12000	FA(W)537	R230041	5.75" Stud center to rod end	18QK29301	Drag link end socket - RH thread. Use w/tube stamped 39305.
		R230041		18QK23A	Drag link end socket - RH thread.
		R230042		18QK28A	Drag link end socket - LH thread.
18000	FA(W)616	R230041	5.75" Stud center to rod end	18QK23A	Drag link end socket - RH thread.
		R230041		18QK29301	Drag link end socket - RH thread. Use w/tube stamped 39305.
		R230042		18QK28A	Drag link end socket - LH thread.
20000	FA(W)617	R230041	5.75" Stud center to rod end	18QK23A	Drag link end socket - RH thread.
		R230041		18QK29301	Drag link end socket - RH thread. Use w/tube stamped 39305.
		R230042		18QK28A	Drag link end socket - LH thread.

MC400, MR400, MC600, MR600

King Pin Kits

Axle Rating Lbs.	Axle Code/Year	Part Number/ Bushing Type	King Pin Size	Type	OEM Reference	Notes
10500	FA(W)536	R200065 Bronze	7.470"	E	301SQ47CP1	Tapered pin.
12000	FA(W)537	R200065 Bronze	7.470"	E	301SQ47CP1	Tapered pin.
18000	FA(W)616	R200071 Bronze	8.750"	E	301SQ52	Tapered pin.
20000	FA(W)617	R200071 Bronze	8.750"	E	301SQ52	Tapered pin.

Tie Rod Ends

Axle Rating Lbs.	Axle Code/Year	Part Number/ Location	Stud Center to Rod End	OEM Reference	Notes
10500	FA(W)536	R230061 Curbside	4.875"	10QH242P1	Coarse thread.
		R230060 Roadside		10QH243P2	
		R230043 Curbside		10QH243P1	Fine thread.
		R230041 Curbside	5.75"		Side zerk.
		R230042 Roadside			
		R230070 Curbside		10QH39P1	
12000	FA(W)537	R230071 Roadside	5.75"	10QH310P1	
		R230041 Curbside	5.75"		Side zerk.
		R230042 Roadside			
		R230070 Curbside	5.75"	10QH39P1	
18000	FA(W)616	R230071 Roadside	5.75"	10QH310P1	
		R230041 Curbside			Side zerk.
		R230042 Roadside	5.75"		Use with tube 7QH253P1, 7QH253P2
		R230070 Curbside		10QH39P1	
		R230071 Roadside		10QH310P1	
20000	FA(W)617	R230073 Curbside	7.37"	10QH311P1	Use with tube 7QH253P3, 7QH253P4
		R230072 Roadside		10QH312P1	
		R230041 Curbside	5.75"		Side zerk.
		R230042 Roadside			
		R230070 Curbside		10QH39P1	
R230071 Roadside	5.75"	10QH310P1			
R230073 Curbside		7.37"	10QH311P1	Use with tube 7QH253P3, 7QH253P4	
R230072 Roadside	7.37"	10QH312P1			

Drag Links

Axle Rating Lbs.	Axle Code/Year	Part Number	Stud Center to Stud Center	OEM Reference	Notes
10500	FA(W)536	R230041	5.75" Stud center to rod end	18QK23A	Drag link end socket - RH thread.
		R230041		18QK29301	Drag link end socket - RH thread. Use w/tube stamped 39305.
		R230042		18QK28A	Drag link end socket - LH thread.
12000	FA(W)537	R230041	5.75" Stud center to rod end	18QK29301	Drag link end socket - RH thread. Use w/tube stamped 39305.
		R230041		18QK23A	Drag link end socket - RH thread.
		R230042		18QK28A	Drag link end socket - LH thread.
18000	FA(W)616	R230041	5.75" Stud center to rod end	18QK23A	Drag link end socket - RH thread.
		R230041		18QK29301	Drag link end socket - RH thread. Use w/tube stamped 39305.
		R230042		18QK28A	Drag link end socket - LH thread.
20000	FA(W)617	R230041	5.75" Stud center to rod end	18QK29301	Drag link end socket - RH thread. Use w/tube stamped 39305.
		R230041		18QK23A	Drag link end socket - RH thread.
		R230042		18QK28A	Drag link end socket - LH thread.

R400

King Pin Kits

Axle Rating Lbs.	Axle Code/Year	Part Number/ Bushing Type	King Pin Size	Type	OEM Reference	Notes
10500	FA532, FA(W)536	R200065 Bronze	7.470"	E	301SQ47CP1	Tapered pin.
	FA535	R200064 Bronze	7.400"	E	301SQ46A	Tapered pin.
12000	FA(W)537	R200065 Bronze	7.470"	E	301SQ47CP1	Tapered pin.
18000	FA(W)616	R200071 Bronze	8.750"	E	301SQ52	Tapered pin.

MACK

R400 (Continued)

Tie Rod Ends

Axle Rating Lbs.	Axle Code/Year	Part Number/ Location	Stud Center to Rod End	OEM Reference	Notes	
10500	FA(W)536	R230061 Curbside	4.875"	10QH242P1	Coarse thread.	
		R230060 Roadside		10QH243P2		
		R230043 Curbside		10QH243P1		
		R230041 Curbside	5.75"		Fine thread. Side zerk.	
		R230042 Roadside				
		R230070 Curbside		10QH39P1		
12000	FA(W)537	R230071 Roadside	5.75"	10QH310P1	Side zerk.	
		R230041 Curbside				
		R230042 Roadside	5.75"	10QH39P1		
		R230070 Curbside		10QH310P1		
18000	FA(W)616	R230071 Roadside	5.75"		Side zerk.	
		R230041 Curbside				
		R230070 Curbside	5.75"	10QH39P1		Use with tube 7QH253P1, 7QH253P2.
		R230071 Roadside		10QH310P1		
		R230073 Curbside	7.37"	10QH311P1		Use with tube 7QH253P3, 7QH253P4.
		R230072 Roadside		10QH312P1		

Drag Links

Axle Rating Lbs.	Axle Code/Year	Part Number	Stud Center to Stud Center	OEM Reference	Notes
10500	FA(W)536	R230041	5.75" Stud center to rod end	18QK23A	Drag link end socket - RH thread.
		R230041		18QK29301	Drag link end socket - RH thread. Use w/tube stamped 39305.
		R230042		18QK28A	Drag link end socket - LH thread.
12000	FA(W)537	R230041	5.75" Stud center to rod end	18QK29301	Drag link end socket - RH thread. Use w/tube stamped 39305.
		R230041		18QK23A	Drag link end socket - RH thread.
		R230042		18QK28A	Drag link end socket - LH thread.
18000	FA(W)616	R230041	5.75" Stud center to rod end	18QK23A	Drag link end socket - RH thread.
		R230041		18QK29301	Drag link end socket - RH thread. Use w/tube stamped 39305.
		R230042		18QK28A	Drag link end socket - LH thread.

R600, R685R, R685ST, R686ST

King Pin Kits

Axle Rating Lbs.	Axle Code/Year	Part Number/ Bushing Type	King Pin Size	Type	OEM Reference	Notes
8000	FA511	R200063 Bronze	6.690"	E	301SQ45A	Tapered pin from 1963.
9500	FA514	R200064 Bronze	7.400"	E	301SQ46A	Tapered pin.
10500	FA532, FA(W)536	R200065 Bronze	7.470"	E	301SQ47CP1	Tapered pin.
12000	FA(W)537, FA(W)537C	R200065 Bronze	7.470"	E	301SQ47CP1	Tapered pin.
18000	FA(W)616	R200071 Bronze	8.750"	E	301SQ52	Tapered pin.
20000	FA(W)617	R200071 Bronze	8.750"	E	301SQ52	Tapered pin.

R600, R685R, R685ST, R686ST (Continued)

Tie Rod Ends

Axle Rating Lbs.	Axle Code/Year	Part Number/ Location	Stud Center to Rod End	OEM Reference	Notes
10500	FA(W)536, FA(W)536C	R230061 Curbside	4.875"	10QH242P1	Coarse thread.
		R230060 Roadside		10QH243P2	
		R230043 Curbside		10QH243P1	
		R230041 Curbside	5.75"		Fine thread.
		R230042 Roadside			
		R230070 Curbside		10QH39P1	
12000	FA(W)537, FA(W)537C	R230071 Roadside	5.75"	10QH310P1	Side zerk.
		R230041 Curbside	5.75"		
		R230042 Roadside			
		R230070 Curbside	5.75"	10QH39P1	
18000	FA(W)616	R230071 Roadside	5.75"	10QH310P1	Side zerk.
		R230041 Curbside			
		R230042 Roadside			
		R230070 Curbside	5.75"	10QH39P1	Use with tube 7QH2531P1, 7QH253P2
		R230071 Roadside		10QH310P1	
		R230073 Curbside	7.37"	10QH311P1	
20000	FA(W)617	R230072 Roadside	7.37"	10QH312P1	Use with tube 7QH253P3, 7QH253P4
		R230041 Curbside			
		R230042 Roadside			
		R230070 Curbside	5.75"	10QH39P1	Use with tube 7QH2531P1, 7QH253P2
		R230071 Roadside		10QH310P1	
		R230073 Curbside	7.37"	10QH311P1	
		R230072 Roadside		10QH312P1	

Drag Links

Axle Rating Lbs.	Axle Code/Year	Part Number	Stud Center to Stud Center	OEM Reference	Notes
10500	FA(W)536	R230041	5.75" Stud center to rod end	18QK23A	Drag link end socket - RH thread.
		R230041		18QK29301	Drag link end socket - RH thread. Use w/tube stamped 39305.
		R230042		18QK28A	Drag link end socket - LH thread.
12000	FA(W)537	R230041	5.75" Stud center to rod end	18QK23A	Drag link end socket - RH thread.
		R230041		18QK29301	Drag link end socket - RH thread. Use w/tube stamped 39305.
		R230042		18QK28A	Drag link end socket - LH thread.
18000	FA(W)616	R230041	5.75" Stud center to rod end	18QK23A	Drag link end socket - RH thread.
		R230041		18QK29301	Drag link end socket - RH thread. Use w/tube stamped 39305.
		R230042		18QK28A	Drag link end socket - LH thread.

R600L, R600LS, R700L, R700LS, RWL700S, RWS700S, WL700L, W700LS, WS700L, WS700LS

King Pin Kits

Axle Rating Lbs.	Axle Code/Year	Part Number/ Bushing Type	King Pin Size	Type	OEM Reference	Notes
10500	FA(W)536	R200065 Bronze	7.470"	E	301SQ47CP1	Tapered pin.
	FA535	R200064 Bronze	7.400"	E	301SQ46A	Tapered pin.
12000	FA(W)537	R200065 Bronze	7.470"	E	301SQ47CP1	Tapered pin.
	FF931	R200195 Bronze	1.794" x 10.392"	B	KIT 195	
	R201307 Easy Steer	KIT 1307				
18000	FL931	R200198 Bronze	1.999" x 11.212"	B	KIT 198	
		R201312 Easy Steer			KIT 1312	

MACK

R600L, R600LS, R700L, R700LS, RWL700S, RWS700S, WL700L, W700LS, WS700L, WS700LS (Continued)

Tie Rod Ends

Axle Rating Lbs.	Axle Code/Year	Part Number/ Location	Stud Center to Rod End	OEM Reference	Notes
10500	FA(W)536	R230061 Curbside	4.875"	10QH242P1	Coarse thread.
		R230060 Roadside		10QH243P2	
		R230043 Curbside		10QH243P1	Fine thread.
		R230041 Curbside	5.75"		Side zerk.
		R230042 Roadside			
		R230070 Curbside	5.75"	10QH39P1	
R230071 Roadside	10QH310P1				
12000	FA(W)537	R230041 Curbside	5.75"		Side zerk.
		R230042 Roadside			
		R230070 Curbside	5.75"	10QH39P1	
		R230071 Roadside		10QH310P1	
	FF931	R230069 Curbside	5.44"	A3144E524	Greaseable type.
		R230068 Roadside		A3144E525	
R230090 Roadside		A3144F526		Greaseable type. With optional 1.125"-18 thread.	
18000	FL931	R230073 Curbside	7.37"	A3144V437	
		R230072 Roadside		A3144U438	

Drag Links

Axle Rating Lbs.	Axle Code/Year	Part Number	Stud Center to Stud Center	OEM Reference	Notes
10500	FA(W)536	R230041	5.75" Stud center to rod end	18QK23A	Drag link end socket - RH thread.
		R230041		18QK29301	Drag link end socket - RH thread. Use w/tube stamped 39305.
		R230042		18QK28A	Drag link end socket - LH thread.
12000	FA(W)537	R230041	5.75" Stud center to rod end	18QK29301	Drag link end socket - RH thread. Use w/tube stamped 39305.
		R230041		18QK23A	Drag link end socket - RH thread.
		R230042		18QK28A	Drag link end socket - LH thread.
18000	FA616	R230041	5.75" Stud center to rod end	18QK29301	Drag link end socket - RH thread. Use w/tube stamped 39305.
		R230041		18QK23A	Drag link end socket - RH thread.
		R230042		18QK28A	Drag link end socket - LH thread.

RD400

King Pin Kits

Axle Rating Lbs.	Axle Code/Year	Part Number/ Bushing Type	King Pin Size	Type	OEM Reference	Notes
8000	FA511	R200063 Bronze	6.690"	E	301SQ45A	Tapered pin from 1963.
9500	FA514	R200064 Bronze	7.400"	E	301SQ46A	Tapered pin.
10500	FA532, FA(W)536	R200065 Bronze	7.470"	E	301SQ47CP1	Tapered pin.
		FA535				
12000	FA(W)537	R200065 Bronze	7.470"	E	301SQ47CP1	Tapered pin.
18000	FA(W)616	R200071 Bronze	8.750"	E	301SQ52	Tapered pin.

RD400 (Continued)

Tie Rod Ends

Axle Rating Lbs.	Axle Code/Year	Part Number/ Location	Stud Center to Rod End	OEM Reference	Notes
10500	FA(W)536	R230061 Curbside	4.875"	10QH242P1	Coarse thread.
		R230060 Roadside		10QH243P2	
		R230043 Curbside		10QH243P1	
		R230041 Curbside	5.75"		Fine thread.
		R230042 Roadside			
		R230070 Curbside		10QH39P1	
12000	FA(W)537	R230071 Roadside	5.75"	10QH310P1	Side zerk.
		R230041 Curbside	5.75"		
		R230042 Roadside	5.75"	10QH39P1	
18000	FA(W)616	R230070 Curbside	5.75"	10QH39P1	Use with tube 7QH2531P1, 7QH253P2
		R230042 Roadside		10QH310P1	
		R230071 Roadside		10QH310P1	
		R230073 Curbside	7.37"	10QH311P1	Use with tube 7QH253P3, 7QH253P4
		R230072 Roadside		10QH312P1	
		R230071 Roadside		10QH310P1	

Drag Links

Axle Rating Lbs.	Axle Code/Year	Part Number	Stud Center to Stud Center	OEM Reference	Notes
10500	FA(W)536	R230041	5.75" Stud center to rod end	18QK29301	Drag link end socket - RH thread. Use w/tube stamped 39305.
		R230041		18QK23A	
		R230042		18QK28A	
12000	FA(W)537	R230041	5.75" Stud center to rod end	18QK23A	Drag link end socket - RH thread.
		R230041		18QK29301	
		R230042		18QK28A	
18000	FA(W)616	R230041	5.75" Stud center to rod end	18QK29301	Drag link end socket - RH thread. Use w/tube stamped 39305.
		R230041		18QK23A	
		R230042		18QK28A	

RD600, R700

King Pin Kits

Axle Rating Lbs.	Axle Code/Year	Part Number/ Bushing Type	King Pin Size	Type	OEM Reference	Notes
8000	FA511	R200063 Bronze	6.690"	E	301SQ45A	Tapered pin from 1963.
9500	FA514	R200064 Bronze	7.400"	E	301SQ46A	Tapered pin.
10500	FA532, FA(W)536	R200065 Bronze	7.470"	E	301SQ47CP1	Tapered pin.
12000	FA(W)537	R200065 Bronze	7.470"	E	301SQ47CP1	Tapered pin.
18000	FA(W)616	R200071 Bronze	8.750"	E	301SQ52	Tapered pin.
20000	FA(W)617	R200071 Bronze	8.750"	E	301SQ52	Tapered pin.

MACK

RD600, R700 (Continued)

Tie Rod Ends

Axle Rating Lbs.	Axle Code/Year	Part Number/ Location	Stud Center to Rod End	OEM Reference	Notes
10500	FA(W)536	R230061 Curbside	4.875"	10QH242P1	Coarse thread.
		R230060 Roadside		10QH243P2	
		R230043 Curbside		10QH243P1	
		R230041 Curbside	5.75"		Fine thread. Side zerk.
		R230042 Roadside			
		R230070 Curbside		10QH39P1	
12000	FA(W)537	R230071 Roadside	5.75"	10QH310P1	Side zerk.
		R230041 Curbside	5.75"		
		R230042 Roadside			
		R230070 Curbside	5.75"	10QH39P1	
18000	FA(W)616	R230071 Roadside	5.75"	10QH310P1	Side zerk. Use with tube 7QH2531P1, 7QH253P2. For units built before 2/20/84.
		R230042 Roadside			
		R230070 Curbside	5.75"	10QH39P1	
		R230073 Curbside	7.37"	10QH311P1	
		R230072 Roadside	7.37"	10QH312P1	
		R230071 Roadside			
20000	FA(W)617	R230041 Curbside	5.75"		Side zerk. Use with tube 7QH2531P1, 7QH253P2. For units built before 2/20/84.
		R230042 Roadside			
		R230070 Curbside	5.75"	10QH39P1	
		R230071 Roadside	7.37"	10QH310P1	
		R230073 Curbside		10QH311P1	
		R230072 Roadside		10QH312P1	

Drag Links

Axle Rating Lbs.	Axle Code/Year	Part Number	Stud Center to Stud Center	OEM Reference	Notes
10500	FA(W)536	R230041	5.75" Stud center to rod end	18QK29301	Drag link end socket - RH thread. Use w/tube stamped 39305.
		R230041		18QK23A	Drag link end socket - RH thread.
		R230042		18QK28A	Drag link end socket - LH thread.
12000	FA(W)537	R230041	5.75" Stud center to rod end	18QK23A	Drag link end socket - RH thread.
		R230041		18QK29301	Drag link end socket - RH thread. Use w/tube stamped 39305.
		R230042		18QK28A	Drag link end socket - LH thread.
18000	FA(W)616	R230041	5.75" Stud center to rod end	18QK29301	Drag link end socket - RH thread. Use w/tube stamped 39305.
		R230041		18QK23A	Drag link end socket - RH thread.
		R230042		18QK28A	Drag link end socket - LH thread.

U600, U68ST, F700, F786ST, R767ST

King Pin Kits

Axle Rating Lbs.	Axle Code/Year	Part Number/ Bushing Type	King Pin Size	Type	OEM Reference	Notes
8000	FA511	R200063 Bronze	6.690"	E	301SQ45A	Tapered pin from 1963.
9500	FA514	R200064 Bronze	7.400"	E	301SQ46A	Tapered pin from 1963.
10500	FA532, FA(W)536	R200065 Bronze	7.470"	E	301SQ47CP1	Tapered pin.
12000	FA(W)537	R200065 Bronze	7.470"	E	301SQ47CP1	Tapered pin.

U600, U68ST, F700, F786ST, R767ST (Continued)

Tie Rod Ends

Axle Rating Lbs.	Axle Code/Year	Part Number/ Location	Stud Center to Rod End	OEM Reference	Notes
10500	FA(W)536	R230061 Curbside	4.875"	10QH242P1	Coarse thread.
		R230060 Roadside		10QH243P2	
		R230043 Curbside		10QH243P1	
		R230041 Curbside	5.75"		Fine thread.
		R230042 Roadside			
		R230070 Curbside		10QH39P1	
12000	FA(W)537	R230071 Roadside	5.75"	10QH310P1	Side zerk.
		R230041 Curbside			
		R230042 Roadside			
		R230070 Curbside		10QH39P1	
		R230071 Roadside		10QH310P1	

Drag Links

Axle Rating Lbs.	Axle Code/Year	Part Number	Stud Center to Stud Center	OEM Reference	Notes
10500	FA(W)536	R230041	5.75" Stud center to rod end	18QK29301	Drag link end socket - RH thread. Use w/tube stamped 39305.
		R230041		18QK23A	Drag link end socket - RH thread.
		R230042		18QK28A	Drag link end socket - LH thread.
12000	FA(W)537	R230041	5.75" Stud center to rod end	18QK29301	Drag link end socket - RH thread. Use w/tube stamped 39305.
		R230041		18QK23A	Drag link end socket - RH thread.
		R230042		18QK28A	Drag link end socket - LH thread.



If you detect any **errors** in this catalog, please let us know.

We want the information to be as accurate as possible; we appreciate your help in making it so.

Please e-mail any comments/suggestions/corrections to us at: catalogfeedback@arvinmeritor.com

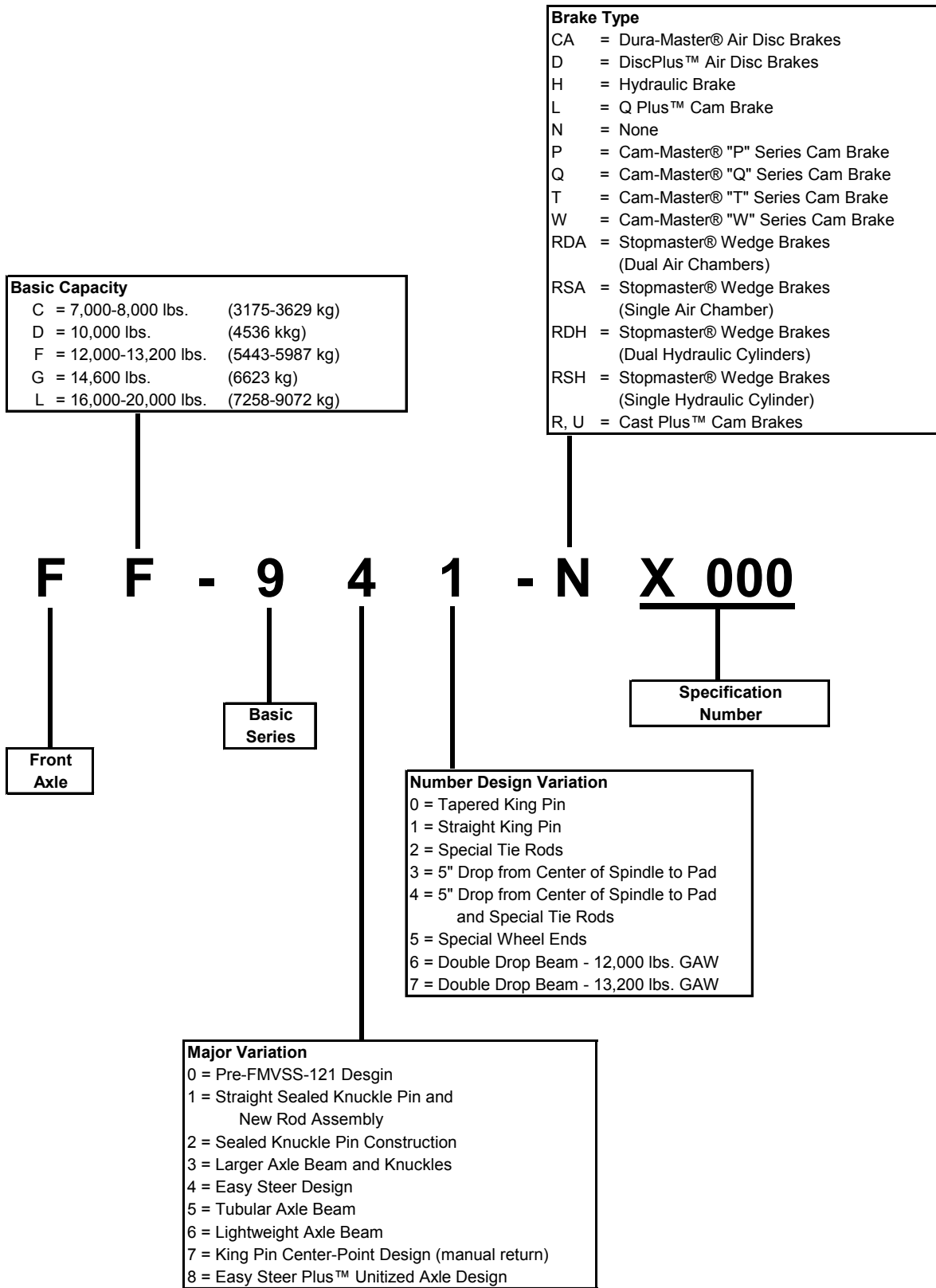
or mail to: ArvinMeritor
 attn: Catalog Dept.
 7975 Dixie Highway
 Florence, KY 41042

MERITOR

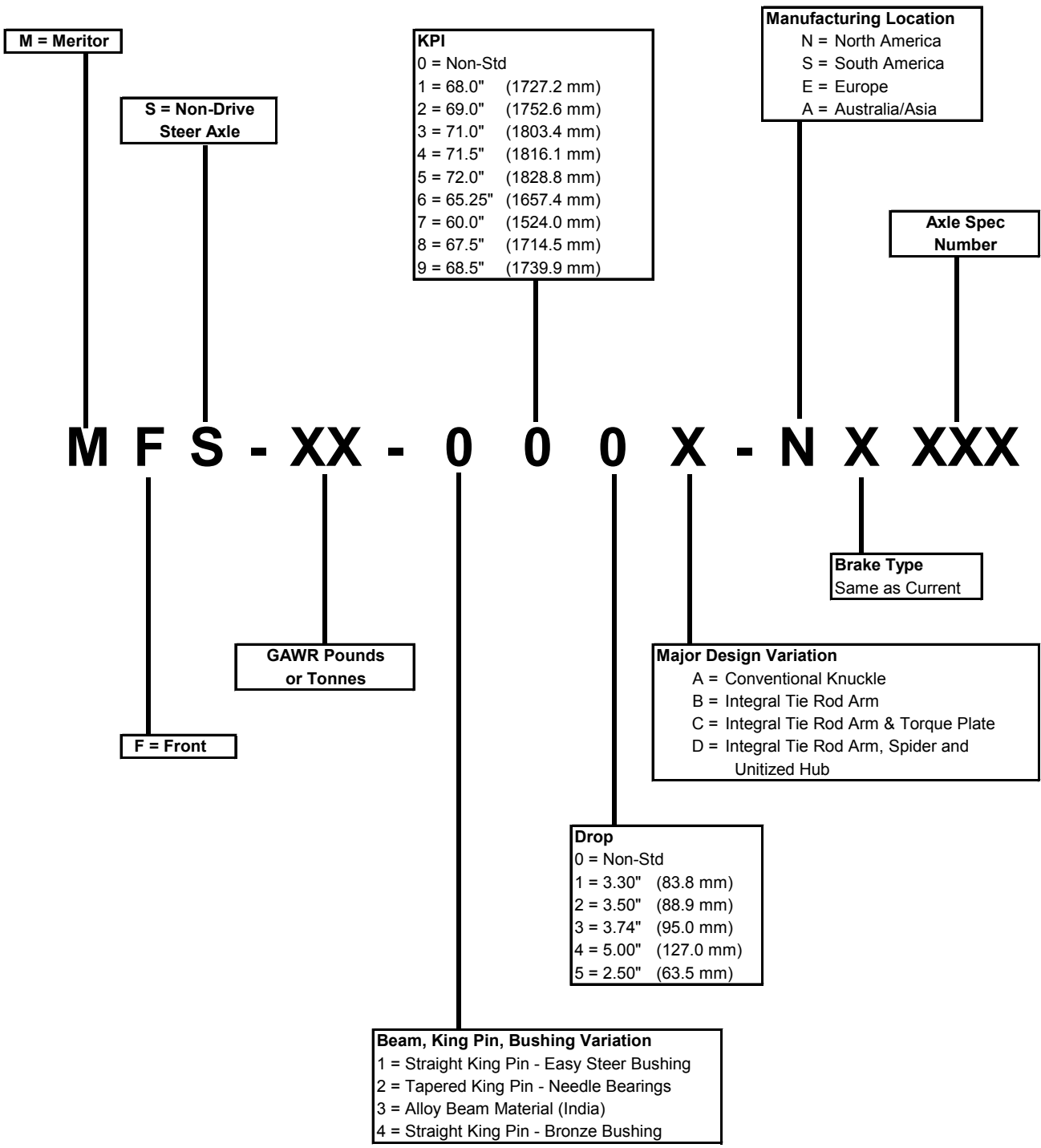
INDEX

Model	Page No.	Model	Page No.
16612, 16613, 16616	2-98	FF-931, FF-932, FF-933, FF-934, FF-941, FF-942, FF-943, FF-944	2-101
16930, 16931	2-98	FF-931A, FF-941A - Aluminum Axles	2-102
17100, 17101, 17111	2-98	FF-971	2-102
27460-A, 27465-A	2-98	FF-981, FF-982, FF-986	2-102
FAE-951	2-98	FG-900, FG-903	2-102
FC-901, FC-902, FC-903	2-98	FG-931, FG-933, FG-941, FG943	2-102
FC-921	2-99	FG-943	2-103
FC-931	2-99	FH-901	2-103
FD-901, FD-902, FD-203	2-99	FL-901	2-103
FD-931, FD-933	2-99	FL-931, FL-933	2-103
FD-961, FF-961	2-100	FL-941, FL-943	2-104
FE-900, FE-903, FE-910	2-100	FL-951	2-104
FE-970	2-100	FU-910	2-104
FF-901, FF-903	2-100	MFS	2-105
FF-921, FF-923	2-101	Meritor Easy Steer™ Front Axle Specifications	2-97
FF-930	2-101	Meritor Model Nomenclature	2-95

CURRENT MERITOR NON-DRIVING FRONT AXLE MODEL NOMENCLATURE



NEW MERITOR NON-DRIVING FRONT AXLE MODEL NOMENCLATURE



Meritor Easy Steer™ Non-Drive Front Axle Specifications

Axle Model Part Numbers	Rating Lbs.	Wheel End Options	KPI Inches	Drop Inches	Nominal Track Inches	Weight Lbs. *
MFS-6-151A-N	6,000	D	72	3.30	84	268
MFS-7-113C-N	7,000	D	68	3.74	80	289
MFS-7-153C-N	7,000	D	72	3.74	84	308
MFS-7-163C-N	7,000	D	65.25	3.74	77.25	275
MFS-8-113B-N	8,000	B	68	3.74	78.05	270
MFS-8-153B-N	8,000	B	72	3.74	82.05	289
MFS-8-163B-N	8,000	B	65.25	3.74	75.3	266
FC-941	8,000	A	68	3.60	78.05	280
FC-965	8,000	A	69	3.50	78.99	330
FD-965	10,000	A	69	3.50	78.99	330
MFS-10-143A-N	10,000	A	71.5	3.74	82	330
MFS-10-143D-N	10,000	C	71.5	3.74	80.4	523*
MFS-10-144A-N	10,000	A	71.5	5.00	82	368
MFS-10-144D-N	10,000	C	71.5	5.00	82	561*
MFS-12-143A-N	12,000	A	71.5	3.74	82	330
MFS-12-143D-N	12,000	C	71.5	3.74	80.4	523*
MFS-12-144A-N	12,000	A	71.5	5.00	82	368
MFS-12-144D-N	12,000	C	71.5	5.00	82	561*
FF-941	12,000	A	69	3.50	78.99	355
FF-943	12,000	A	69	5.00	78.99	363
FF-961	12,000	A	69	3.50	78.99	330
FF-966	12,000	A	69	3.5/2	78.96	342
FF-981	12,000	C	69	3.50	79.55	523*
FF-983	12,000	C	69	5.00	79.55	538*
FF-986	12,000	C	69	3.5/2	79.55	535*
FF-982	13,200	C	69	3.50	79.55	538*
FF-984	13,200	C	69	5.00	79.55	560*
FF-987	13,200	C	69	3.5/2	79.55	540*
FF-967	13,200	A	69	3.5/2	79.54	347
FF-942	13,200	A	69	3.50	78.99	363
FF-944	13,200	A	69	5.00	78.99	385
MFS-13-143A-N	13,200	A	71.5	3.74	81	388
MFS-13-144A-N	13,200	A	71.5	5.00	81	368
MFS-13-144D-N	13,200	C	71.5	5.00	81	561*
FG-941	14,600	A	69	3.50	78.32	370
FG-943	14,600	A	69	5.00	78.32	380
MFS-14-143A-N	14,700	A	71.5	3.74	81	388
MFS-14-144A-N	14,700	A	71.5	5.00	81	368
MFS-16-143A-N	16,000	A	71.5	3.74	84.75	425
MFS-16-122A-N	16,000	A	69	3.50	82.25	456
FL-941	16,000	A	68.5	3.50	81.74	470
FL-943	16,000	A	68.83	5.00	81.74	480
FL-941	18,000	A	68.5	3.50	81.74	470
MFS-18-133A-N	18,000	A	71	3.74	84.25	460
FL-943	18,000	A	68.83	5.00	81.74	480
FL-941	20,000	A	68.5	3.50	81.74	470
FL-943	20,000	A	68.83	5.00	81.74	480
MFS-20-133A-N	20,000	A	71	3.74	84.25	460

Wheel End Options:

- A - Conventional Hub with Standard Knuckle
- B - Conventional Hub with Integral Tie Rod Knuckle
- C - Unitized Wheel End with Integral Tie Rod and Spider Knuckle
- D - Conventional Hub with Integral Tie Rod and Torque Plate

* Weights shown for axles with unitized wheel ends include: standard track axles with one steering arm and both hubs (includes bearings and seals) but no brakes.

MERITOR

16612, 16613, 16616

King Pin Kits

Axle Rating Lbs.	Axle Code/Year	Part Number/ Bushings Type	King Pin Size	Type	OEM Reference	Notes
12000		R200123 Nylon	9.750"	D	KIT 123	Tapered pin.
		R200144 Bronze			KIT 144	Tapered pin. Contains cotter pins and nuts.
		R200186 Bronze			KIT 186	Tapered pin.

16930, 16931

King Pin Kits

Axle Rating Lbs.	Axle Code/Year	Part Number/ Bushings Type	King Pin Size	Type	OEM Reference	Notes
12000		R200121 Bronze	10.750"	D	KIT 121	Tapered pin.
		R200145 Nylon			KIT 145	

Tie Rod Ends

Axle Rating Lbs.	Axle Code/Year	Part Number/ Location	Stud Center to Rod End	OEM Reference	Notes
12000		R230069 Curbside	5.44"	A3144D524	Greaseable type.
		R230068 Roadside		A3144E525	
		R230090 Roadside		A3144F526	Greaseable type. Optional 1.125"-18 thread.
		R230070 Curbside	5.75"	A3144J296	
		R230071 Roadside		A3144K297	

17100, 17101, 17111

King Pin Kits

Axle Rating Lbs.	Axle Code/Year	Part Number/ Bushings Type	King Pin Size	Type	OEM Reference	Notes
14600		R201309 Easy Steer	1.794" x 10.392"	B	KIT 1309	
		R201310 Bronze			KIT 1310	

Tie Rod Ends

Axle Rating Lbs.	Axle Code/Year	Part Number/ Location	Stud Center to Rod End	OEM Reference	Notes
14600		R230070 Curbside	5.75"	A3144J296	Greaseable type.
		R230071 Roadside		A3144K297	

27460-A, 27465-A

Tie Rod Ends

Axle Rating Lbs.	Axle Code/Year	Part Number/ Location	Stud Center to Rod End	OEM Reference	Notes
		R230061 Curbside	4.875"	A3144R226	
		R230060 Roadside		A3144Q225	

FAE-951

King Pin Kits

Axle Rating Lbs.	Axle Code/Year	Part Number/ Bushings Type	King Pin Size	Type	OEM Reference	Notes
2500		R200171 Nylon	1.109" x 6.810"	A	KIT 171	
		R200173 Bronze			KIT 173	

Tie Rod Ends

Axle Rating Lbs.	Axle Code/Year	Part Number/ Location	Stud Center to Rod End	OEM Reference	Notes
2500		R230081 Curbside	3.25"	A3144N352	
		R230082 Roadside		A3144M351	

FC-901, FC-902, FC-903

King Pin Kits

Axle Rating Lbs.	Axle Code/Year	Part Number/ Bushings Type	King Pin Size	Type	OEM Reference	Notes
7000		R200143 Bronze	1.234" x 7.438"	B	KIT 143	
		R200155 Nylon			KIT 155	
		R201314 Bronze	1.244" x 7.440"	B	KIT 1314	
		R200016 Bronze			.01 oversize.	

Tie Rod Ends

Axle Rating Lbs.	Axle Code/Year	Part Number/ Location	Stud Center to Rod End	OEM Reference	Notes
7000		R230063 Curbside	3.88"	A3144V386	
		R230062 Roadside		A3144U385	
		R230086 Curbside	4.43"	A3144Z442	
		R230087 Roadside		A3144Y441	

FC-921

King Pin Kits

Axle Rating Lbs.	Axle Code/Year	Part Number/ Bushings Type	King Pin Size	Type	OEM Reference	Notes
7000		R201314 Bronze	1.234" x 7.438"	B	KIT 1314	

Tie Rod Ends

Axle Rating Lbs.	Axle Code/Year	Part Number/ Location	Stud Center to Rod End	OEM Reference	Notes
7000		R230063 Curbside	3.88"	A3144V386	
		R230062 Roadside		A3144U385	

FC-931

Tie Rod Ends

Axle Rating Lbs.	Axle Code/Year	Part Number/ Location	Stud Center to Rod End	OEM Reference	Notes
7000		R230061 Curbside	4.875"	A2-3144J192	
		R230060 Roadside		A2-3144K193	

FD-901, FD-902, FD-203

King Pin Kits

Axle Rating Lbs.	Axle Code/Year	Part Number/ Bushings Type	King Pin Size	Type	OEM Reference	Notes
9000		R200142 Bronze	1.434" x 8.500"	B	KIT 142	
		R200154 Nylon			KIT 154	
		R200021 Bronze	1.443" x 8.500"	B	.01 oversize.	

Tie Rod Ends

Axle Rating Lbs.	Axle Code/Year	Part Number/ Location	Stud Center to Rod End	OEM Reference	Notes
9000		R230061 Curbside	4.875"	A3144R226	
		R230060 Roadside		A3144Q225	

FD-931, FD-933

King Pin Kits

Axle Rating Lbs.	Axle Code/Year	Part Number/ Bushings Type	King Pin Size	Type	OEM Reference	Notes
9000		R200196 Bronze	1.607" x 9.136"	B	KIT 196	

MERITOR

FD-931, FD-933 (Continued)

Tie Rod Ends

Axle Rating Lbs.	Axle Code/Year	Part Number/ Location	Stud Center to Rod End	OEM Reference	Notes
9000		R230069 Curbside	5.44"	A3144D524	Greaseable type.
		R230068 Roadside		A3144E525	
		R230090 Roadside		A3144F526	Greaseable type. Optional 1.125"-18 thread.

FD-961, FF-961

King Pin Kits

Axle Rating Lbs.	Axle Code/Year	Part Number/ Bushing Type	King Pin Size	Type	OEM Reference	Notes
10000, 12000		R201315 Easy Steer	1.794" x 10.392"	B	KIT 1315	

Tie Rod Ends

Axle Rating Lbs.	Axle Code/Year	Part Number/ Location	Stud Center to Rod End	OEM Reference	Notes
10000, 12000		R230069 Curbside	5.44"	A3144D524	Greaseable type.
		R230068 Roadside		A3144E525	
		R230090 Roadside		A3144F526	Greaseable type. Optional 1.125"-18 thread.

FE-900, FE-903, FE-910

King Pin Kits

Axle Rating Lbs.	Axle Code/Year	Part Number/ Bushing Type	King Pin Size	Type	OEM Reference	Notes
11000		R200123 Nylon	9.750"	D	KIT 123	Tapered pin.
		R200144 Bronze			KIT 144	

Tie Rod Ends

Axle Rating Lbs.	Axle Code/Year	Part Number/ Location	Stud Center to Rod End	OEM Reference	Notes
11000		R230061 Curbside	4.875"	A3144R226	
		R230060 Roadside		A3144Q225	
		R230070 Curbside	5.75"	A3144J296	
		R230071 Roadside		A3144K297	

FE-970

King Pin Kits

Axle Rating Lbs.	Axle Code/Year	Part Number/ Bushing Type	King Pin Size	Type	OEM Reference	Notes
11000		R200156 Nylon	1.607" x 8.740"	B	KIT 156	Center point steering.
		R200157 Bronze			KIT 157	Center point steering. Contains dust cap and screws.
		R200188 Bronze			KIT 188	Center point steering.

Tie Rod Ends

Axle Rating Lbs.	Axle Code/Year	Part Number/ Location	Stud Center to Rod End	OEM Reference	Notes
11000		R230061 Curbside	4.875"	A2-3144J192	Will retrofit older axles. Repair kits for snap ring type ends: Kit 3000 - Full repair kit. Plain plug (no tap hole.) Kit 953 - Repair kit with adjustable end play plug. .50"-13 tapped hole.
		R230060 Roadside		A2-3144K193	
		R230075 Curbside	10.50"	A3144N534	
		R230074 Roadside		A3144M533	

FF-901, FF-903

King Pin Kits

Axle Rating Lbs.	Axle Code/Year	Part Number/ Bushing Type	King Pin Size	Type	OEM Reference	Notes
12000		R200167 Nylon	1.794" x 9.120"	B	KIT 167	
		R200172 Bronze			KIT 172	

MERITOR

FF-901, FF-903 (Continued)

Tie Rod Ends

Axle Rating Lbs.	Axle Code/Year	Part Number/ Location	Stud Center to Rod End	OEM Reference	Notes	
12000		R230061 Curbside	4.875"	A3144R226		
		R230060 Roadside		A3144Q225		
		R230066 Curbside	5.75"	A3144C237		Lube fitting, bottom.
		R230067 Roadside		A3144D238		
		R230070 Curbside	5.75"	A3144J296		Lube fitting, side.
		R230071 Roadside		A3144K297		

FF-921, FF-923

King Pin Kits

Axle Rating Lbs.	Axle Code/Year	Part Number/ Bushing Type	King Pin Size	Type	OEM Reference	Notes
12000		R200193 Bronze	1.794" x 10.410"	B	KIT 193	Contains washers.
		R200199 Bronze			KIT 199	

Tie Rod Ends

Axle Rating Lbs.	Axle Code/Year	Part Number/ Location	Stud Center to Rod End	OEM Reference	Notes
12000		R230069 Curbside	5.44"	A3144D524	Greaseable type.
		R230068 Roadside		A3144E525	
		R230090 Roadside		A3144F526	Greaseable type. Optional 1.125"-18 thread.

FF-930

King Pin Kits

Axle Rating Lbs.	Axle Code/Year	Part Number/ Bushing Type	King Pin Size	Type	OEM Reference	Notes
12000		R200121 Bronze	10.750"	D	KIT 121	Tapered pin.
		R200145 Nylon			KIT 145	

Tie Rod Ends

Axle Rating Lbs.	Axle Code/Year	Part Number/ Location	Stud Center to Rod End	OEM Reference	Notes
12000		R230069 Curbside	5.44"	A3144D524	Greaseable type.
		R230068 Roadside		A3144E525	
		R230090 Roadside		A3144F526	Greaseable type. Optional 1.125"-18 thread.
		R230070 Curbside	5.75"	A3144J296	
		R230071 Roadside		A3144K297	

FF-931, FF-932, FF-933, FF-934, FF-941, FF-942, FF-943, FF-944

King Pin Kits

Axle Rating Lbs.	Axle Code/Year	Part Number/ Bushing Type	King Pin Size	Type	OEM Reference	Notes
12000		R200195 Bronze	1.794" x 10.392"	B	KIT 195	
		R201307 Easy Steer			KIT 1307	
		R201315 Easy Steer			KIT 1315	

Tie Rod Ends

Axle Rating Lbs.	Axle Code/Year	Part Number/ Location	Stud Center to Rod End	OEM Reference	Notes
12000		R230069 Curbside	5.44"	A3144D524	Greaseable type.
		R230068 Roadside		A3144E525	
		R230090 Roadside		A3144F526	Greaseable type. Optional 1.125"-18 thread.

MERITOR

FF-931A, FF-941A - Aluminum Axles

King Pin Kits

Axle Rating Lbs.	Axle Code/Year	Part Number/ Bushing Type	King Pin Size	Type	OEM Reference	Notes
12000		R201306 Bronze	1.794" x 11.250"	F	KIT 1306	
		R201308 Easy Steer			KIT 1308	

Tie Rod Ends

Axle Rating Lbs.	Axle Code/Year	Part Number/ Location	Stud Center to Rod End	OEM Reference	Notes
12000		R230069 Curbside	5.44"	A3144D524	Greaseable type.
		R230068 Roadside		A3144E525	
		R230090 Roadside		A3144F526	Greaseable type. Optional 1.125"-18 thread.

FF-971

King Pin Kits

Axle Rating Lbs.	Axle Code/Year	Part Number/ Bushing Type	King Pin Size	Type	OEM Reference	Notes
12000		R201300 Bronze	1.607" x 9.375"	B	KIT 1300	Center point steering.

Tie Rod Ends

Axle Rating Lbs.	Axle Code/Year	Part Number/ Location	Stud Center to Rod End	OEM Reference	Notes
12000		R230075 Curbside	10.50"	A3144N534	Will retrofit older axles. Repair kits for snap ring type ends: Kit 3000 - Full repair kit. Plain plug (no tap hole.) Kit 953 - Repair kit with adjustable end play plug. .50"-13 tapped hole.
		R230074 Roadside		A3144M533	

FF-981, FF-982, FF-986

King Pin Kits

Axle Rating Lbs.	Axle Code/Year	Part Number/ Bushing Type	King Pin Size	Type	OEM Reference	Notes
12000		R201419 Easy Steer	1.794" x 8.844"	B	KIT 1419	

Tie Rod Ends

Axle Rating Lbs.	Axle Code/Year	Part Number/ Location	Stud Center to Rod End	OEM Reference	Notes
12000		R230069 Curbside	5.44"	A3144E525	
		R230068 Roadside		A3144D524	

FG-900, FG-903

King Pin Kits

Axle Rating Lbs.	Axle Code/Year	Part Number/ Bushing Type	King Pin Size	Type	OEM Reference	Notes
14600		R200146 Nylon	10.688"	D	KIT 146	Tapered pin.
		R200153 Bronze			KIT 153	

Tie Rod Ends

Axle Rating Lbs.	Axle Code/Year	Part Number/ Location	Stud Center to Rod End	OEM Reference	Notes
14600		R230061 Curbside	4.875"	A3144R226	
		R230060 Roadside		A3144Q225	

FG-931, FG-933, FG-941, FG943

King Pin Kits

Axle Rating Lbs.	Axle Code/Year	Part Number/ Bushing Type	King Pin Size	Type	OEM Reference	Notes
14600		R201309 Easy Steer	1.794" x 10.392"	B	KIT 1309	
		R201310 Bronze			KIT 1310	

FG-931, FG-933, FG-941, FG943 (Continued)

Tie Rod Ends

Axle Rating Lbs.	Axle Code/Year	Part Number/ Location	Stud Center to Rod End	OEM Reference	Notes
14600		R230069 Curbside	5.44"	A3144D524	Greaseable type.
		R230068 Roadside		A3144E525	
		R230090 Roadside		A3144F526	Greaseable type. Optional 1.125"-18 thread.

FG-943

King Pin Kits

Axle Rating Lbs.	Axle Code/Year	Part Number/ Bushing Type	King Pin Size	Type	OEM Reference	Notes
14600		R201309 Easy Steer	1.794" x 10.392"	B	KIT 1309	
		R201310 Bronze			KIT 1310	

Tie Rod Ends

Axle Rating Lbs.	Axle Code/Year	Part Number/ Location	Stud Center to Rod End	OEM Reference	Notes
14600		R230069 Curbside	5.44"		Greaseable type.
		R230068 Roadside			
		R230090 Roadside			Greaseable type. Optional 1.125"-18 thread.

FH-901

King Pin Kits

Axle Rating Lbs.	Axle Code/Year	Part Number/ Bushing Type	King Pin Size	Type	OEM Reference	Notes
16000		R200168 Nylon	1.999" x 11.040"	B	KIT 168	
		R200170 Bronze			KIT 170	

Tie Rod Ends

Axle Rating Lbs.	Axle Code/Year	Part Number/ Location	Stud Center to Rod End	OEM Reference	Notes
16000		R230070 Curbside	5.75"	A3144J296	Greaseable type.
		R230071 Roadside		A3144K297	

FL-901

King Pin Kits

Axle Rating Lbs.	Axle Code/Year	Part Number/ Bushing Type	King Pin Size	Type	OEM Reference	Notes
18000		R200168 Nylon	1.999" x 11.040"	B	KIT 168	
		R200170 Bronze			KIT 170	

Tie Rod Ends

Axle Rating Lbs.	Axle Code/Year	Part Number/ Location	Stud Center to Rod End	OEM Reference	Notes
18000		R230070 Curbside	5.75"	A3144J296	Greaseable type.
		R230071 Roadside		A3144K297	

FL-931, FL-933

King Pin Kits

Axle Rating Lbs.	Axle Code/Year	Part Number/ Bushing Type	King Pin Size	Type	OEM Reference	Notes
16000, 18000, 20000		R200198 Bronze	1.999" x 11.212"	B	KIT 198	
		R201312 Easy Steer			KIT 1312	

MERITOR

FL-931, FL-933 (Continued)

Tie Rod Ends

Axle Rating Lbs.	Axle Code/Year	Part Number/ Location	Stud Center to Rod End	OEM Reference	Notes
16000, 18000, 20000		R230070 Curbside	5.75"	A3144J296	
		R230071 Roadside		A3144K297	
		R230073 Curbside	7.37"	A3144F448	
		R230072 Roadside		A3144G449	
		R230104 Curbside	12.69"	A3144D550	
		R230105 Roadside		A3144C549	

FL-941, FL-943

King Pin Kits

Axle Rating Lbs.	Axle Code/Year	Part Number/ Bushing Type	King Pin Size	Type	OEM Reference	Notes
16000, 18000, 20000		R200198 Bronze	1.999" x 11.212"	B	KIT 198	
		R201312 Easy Steer			KIT 1312	

Tie Rod Ends

Axle Rating Lbs.	Axle Code/Year	Part Number/ Location	Stud Center to Rod End	OEM Reference	Notes
16000, 18000, 20000		R230070 Curbside	5.75"	A3144J296	
		R230071 Roadside		A3144K297	
		R230073 Curbside	7.37"	A3144F448	
		R230072 Roadside		A3144G449	
		R230104 Curbside	12.69"	A3144D550	
		R230105 Roadside		A3144C549	

FL-951

King Pin Kits

Axle Rating Lbs.	Axle Code/Year	Part Number/ Bushing Type	King Pin Size	Type	OEM Reference	Notes
22000		R200198 Bronze	1.999" x 11.212"	B	KIT 198	
		R201312 Easy Steer			KIT 1312	

Tie Rod Ends

Axle Rating Lbs.	Axle Code/Year	Part Number/ Location	Stud Center to Rod End	OEM Reference	Notes
22000		R230073 Curbside	7.37"	A3144F448	
		R230072 Roadside		A3144G449	

FU-910

King Pin Kits

Axle Rating Lbs.	Axle Code/Year	Part Number/ Bushing Type	King Pin Size	Type	OEM Reference	Notes
28000		R200194 Bronze	2.061" x 13.250"	B	KIT 194	

Tie Rod Ends

Axle Rating Lbs.	Axle Code/Year	Part Number/ Location	Stud Center to Rod End	OEM Reference	Notes
28000		R230061 Curbside	4.875"	A3144R226	
		R230060 Roadside		A3144Q225	

Axle Rating Lbs.	Axle Code/Year	Part Number/ Bushing Type	King Pin Size	Type	OEM Reference	Notes
6000	MFS06	R201478 Easy Steer	1.234" x 6.781"	A		
7000	MFS07	R201479 Easy Steer	1.498" x 7.153"	B		
8000	MFS08	R201474 Easy Steer	1.499" x 7.511"	B		
10000	MFS10	R201470 Easy Steer	1.794" x 10.392"	B		
12000	MFS12	R201419 Easy Steer	1.794" x 8.844"	B		
		R201470 Easy Steer	1.794" x 10.392"	B		Uses drawkeys 7-X-1002, 7-X-1003.
		R201473 Easy Steer	1.794" x 10.392"	B		Uses drawkeys 7-X-111, 7-X-1003.
13000	MFS13	R201419 Easy Steer	1.794" x 8.844"	B		
		R201471 Easy Steer	1.794" x 10.392"	B		
14000	MFS14	R201471 Easy Steer	1.794" x 10.392"	B		
16000	MFS16	R201476 Easy Steer	1.999" x 11.212"	B		
18000	MFS18	R201475 Easy Steer	1.999" x 11.212"	B		Uses drawkeys 7-X-111, 7-X-1003.
		R201476 Easy Steer	1.999" x 11.212"	B		Uses drawkeys 7-X-114, 7-X-1003.
20000	MFS20	R201476 Easy Steer	1.999" x 11.212"	B		

Tie Rod Ends

Axle Rating Lbs.	Axle Code/Year	Part Number/ Location	Stud Center to Rod End	OEM Reference	Notes
6000	MFS06	R230138 Curbside	10.32"	A3144R1136	
		R230137 Roadside		A3144Q1135	
7000	MFS07	R230138 Curbside	10.32"	A3144R1136	
		R230137 Roadside		A3144Q1135	
8000	MFS08	R230136 Curbside	5.44"	A3144X1142	Heavy duty version. Used for high turning angle.
		R230135 Roadside		A3144W1141	
		R230069 Curbside	5.44"	A3144D524	
		R230068 Roadside		A3144E525	
		R230138 Curbside	10.32"	A3144R1136	
		R230137 Roadside		A3144Q1135	
10000	MFS10	R230136 Curbside	5.44"	A3144X1142	Heavy duty version. Used for high turning angle.
		R230135 Roadside		A3144W1141	
		R230069 Curbside	5.44"	A3144D524	
		R230068 Roadside		A3144E525	
		R230132 Curbside	8.12"	A3144V1088	
		R230131 Roadside		A3144W1089	
12000	MFS12	R230136 Curbside	5.44"	A3144X1142	Heavy duty version. Used for high turning angle.
		R230135 Roadside		A3144W1141	
		R230069 Curbside	5.44"	A3144D524	
		R230068 Roadside		A3144E525	
		R230132 Curbside	8.12"	A3144V1088	
		R230131 Roadside		A3144W1089	
13000	MFS13	R230069 Curbside	5.44"	A3144D524	
		R230068 Roadside		A3144E525	
		R230132 Curbside	8.12"	A3144V1088	
		R230131 Roadside		A3144W1089	
14000	MFS14	R230136 Curbside	5.44"	A3144X1142	Heavy duty version. Used for high turning angle.
		R230135 Roadside		A3144W1141	
		R230069 Curbside	5.44"	A3144D524	
		R230068 Roadside		A3144E525	
		R230073 Curbside	7.37"	A3144F448	
		R230072 Roadside		A3144G449	
16000	MFS16	R230069 Curbside	5.44"	A3144D524	
		R230068 Roadside		A3144E525	
		R230073 Curbside	7.37"	A3144F448	
		R230072 Roadside		A3144G449	
		R230129 Curbside	7.382"	A3144H1074	
		R230130 Roadside		A3144J1076	
		R230104 Curbside	12.69"	A3144D550	
		R230105 Roadside		A3144C549	

MERITOR

MFS (Continued)

Tie Rod Ends (Continued)

Axle Rating Lbs.	Axle Code/Year	Part Number/ Location	Stud Center to Rod End	OEM Reference	Notes
18000	MFS18	R230069 Curbside	5.44"	A3144D524	
		R230068 Roadside		A3144E525	
		R230073 Curbside	7.37"	A3144F448	
		R230072 Roadside		A3144G449	
		R230129 Curbside	7.382"	A3144H1074	
		R230130 Roadside		A3144J1076	
		R230104 Curbside	12.69"	A3144D550	
		R230105 Roadside		A3144C549	
20000	MFS20	R230069 Curbside	5.44"	A3144D524	
		R230068 Roadside		A3144E525	
		R230073 Curbside	7.37"	A3144F448	
		R230072 Roadside		A3144G449	
		R230129 Curbside	7.382"	A3144H1074	
		R230130 Roadside		A3144J1076	
		R230104 Curbside	12.69"	A3144D550	
		R230105 Roadside		A3144C549	



MERITOR™

an **ArvinMeritor™** brand

INDEX

Model	Page No.	Model	Page No.
1100D 2WD w/FA1 Axle	2-108	Fleetstar Models 1900, F1900, T1900, F1900A,	
1110 4WD w/FA1 Axle	2-108	1910A, 1950, F1950, T1950, 2000, F2000, T2000,	
1200A, 1200B, 1200C, 1300A, 1300B,		2010A, F2010A, 2050A, F2050A, 2070A, F2070A,	
1300C, w/FA10 Axle	2-108	2110A	2-123
1200D, 1300D, 1310 w/FA12 Axle	2-108	Loadstar and School Bus Models 1600, CO1600,	
1210 w/FA12 Axle	2-108	F1600, 1700, CO1700, F1700, 1750, CO1750,	
1300A, 1300B, 1300C 4WD	2-108	1800, CO1800, F1800, 1850, CO1850, F1850, 1890	2-124
1300D 4WD	2-108	M1200 w/FA10 Axle	2-125
1310 4WD	2-108	M1200 w/FA28 Axle	2-126
1500A, 1500B, 1500C w/FA28 Axle	2-108	M1400, 1452, 1652, M1600	2-126
1500D w/FA28 Axle	2-108	M1500 w/FA10 Axle	2-126
3700, 3800, 3900	2-109	MA1500 w/FA28 Axle	2-126
4600, 4700, 4800, 4900	2-109	MS1210 w/FA12 Axle	2-126
7100	2-110	Paystar Models 5010, F5010, 5050, F5050, F5050SF,	
8100, 8200, 8300 (Built 1989 and Later)	2-111	F5050SF-LW, 5070, F5070, F5070SF, F5070SF-	
9200	2-112	LW, CO5370, COF5370	2-126
9300, 9400	2-113	S-Series Heavy Duty Models 2275, F2275, 2276,	
9600, 9700	2-114	F2276, 2375, F2375, 2524, F2524, 2554, F2554,	
Additional Navistar Axles	2-115	2574, F2574, 2575, F2575, 2624, F2624, 2654,	
C1100, C1200, C1300 w/FA10 Axle	2-118	F2654, 2674, F2674, 2675, F2675	2-127
C1200 4WD	2-118	S-Series Heavy Duty Models 2554, 2574, 2654, 2674	
C1500 w/FA28, FA48 Axle	2-118	(Built 1989 and Later)	2-130
CO/COF9670, Eagle	2-119	S-Series Medium Duty Models 1624, 1654, 1658,	
CO4000, COF4000, COT4000	2-120	1723, 1724, 1753, 1754, 1758, 1823, 1824, 1853,	
COF5870	2-120	1854, 1858, 1924, F1924, 1925, 1954, F1954, 1955,	
Cargostar Models CO1610, CO1630, CO1710,		1958, 2125, F2125, 2155	2-130
CO1730, CO1750, CO1810, COF1810, CO1830,		Transtar 4070B, CO4070B, F4070B, COF4070B,	
CO1850, CO1910, COF1910, CO1950, COF1950	2-120	4170, F4170	2-134
D400, DC400, DCF400, DCF400M, DF400, D405,		Transtar CO4070A, COF4070A	2-134
DC405, DCF405, DCT405, DF405, DT405	2-122	Transtar Models 4200, F4200, 4300, F4300	2-135

NAVISTAR

1100D 2WD w/FA1 Axle

King Pin Kits

Axle Rating Lbs.	Axle Code/Year	Part Number/ Bushings Type	King Pin Size	Type	OEM Reference	Notes
	1967-69	R200005 Bronze	0.859" x 5.440"	A	62905R93	w/Thrust bearing.

1110 4WD w/FA1 Axle

King Pin Kits

Axle Rating Lbs.	Axle Code/Year	Part Number/ Bushings Type	King Pin Size	Type	OEM Reference	Notes
	1972-73	R200005 Bronze	0.859" x 5.440"	A	62905R93	w/Thrust bearing.

1200A, 1200B, 1200C, 1300A, 1300B, 1300C, w/FA10 Axle

King Pin Kits

Axle Rating Lbs.	Axle Code/Year	Part Number/ Bushings Type	King Pin Size	Type	OEM Reference	Notes
	1961-68	R200005 Bronze	0.859" x 5.440"	A	62905R93	w/Thrust bearing.

1200D, 1300D, 1310 w/FA12 Axle

King Pin Kits

Axle Rating Lbs.	Axle Code/Year	Part Number/ Bushings Type	King Pin Size	Type	OEM Reference	Notes
	1966-69	R200007 Bronze	1.109" x 6.250"	A	69971R91	

1210 w/FA12 Axle

King Pin Kits

Axle Rating Lbs.	Axle Code/Year	Part Number/ Bushings Type	King Pin Size	Type	OEM Reference	Notes
	1966-73	R200007 Bronze	1.109" x 6.250"	A	69971R91	

1300A, 1300B, 1300C 4WD

Tie Rod Ends

Axle Rating Lbs.	Axle Code/Year	Part Number/ Location	Stud Center to Rod End	OEM Reference	Notes
	1965-68	R230004 Roadside	3.88"	219403R91	w/FA52 axle.

1300D 4WD

Tie Rod Ends

Axle Rating Lbs.	Axle Code/Year	Part Number/ Location	Stud Center to Rod End	OEM Reference	Notes
	1967-69	R230004 Roadside	3.88"	219403R91	w/FA52 axle.

1310 4WD

Tie Rod Ends

Axle Rating Lbs.	Axle Code/Year	Part Number/ Location	Stud Center to Rod End	OEM Reference	Notes
	1972-73	R230004 Roadside	3.88"	219403R91	w/FA52 axle.

1500A, 1500B, 1500C w/FA28 Axle

King Pin Kits

Axle Rating Lbs.	Axle Code/Year	Part Number/ Bushings Type	King Pin Size	Type	OEM Reference	Notes
	1962-68	R200007 Bronze	1.109" x 6.250"	A	69971R91	

NAVISTAR

1500D w/FA28 Axle

King Pin Kits

Axle Rating Lbs.	Axle Code/Year	Part Number/ Bushing Type	King Pin Size	Type	OEM Reference	Notes
	1965-68	R200007 Bronze	1.109" x 6.250"	A	69971R91	

3700, 3800, 3900

King Pin Kits

Axle Rating Lbs.	Axle Code/Year	Part Number/ Bushing Type	King Pin Size	Type	OEM Reference	Notes
6000	I60S (02ADA), I80S (02ADB)	R200268 Bronze	1.359" x 7.970"	B	1660271C92	
8000	I60S (02ADA), I80S (02ADB)	R200268 Bronze	1.359" x 7.970"	B	1660271C92	
16000	FA231 (02231)	R200198 Bronze R201312 Easy Steer	1.999" x 11.212"	B	474520C91 597258C91	Meritor axle FL941.

Tie Rod Ends

Axle Rating Lbs.	Axle Code/Year	Part Number/ Location	Stud Center to Rod End	OEM Reference	Notes	
10000	I100S (02ADC)	R230069 Curbside	5.44"	507838C91	w/126"-225" WB.	
		R230068 Roadside		507837C91		
		R230028 Curbside	9.18"	1649637C91	w/226"-280" WB.	
		R230029 Roadside		1649638C91		
12000	FA082 (02EY8)	R230061 Curbside	4.875"	110363R92	Fabco SDA12.	
		R230060 Roadside		110362R92		
	FA083 (02083)	R230061 Curbside	4.875"	110363R92	Fabco SDA12.	
		R230060 Roadside		110362R92		
	I120S (02ADD)	R230069 Curbside		5.44"	507838C91	w/126"-225" WB.
			R230068 Roadside		507837C91	
		R230028 Curbside		9.18"	1649637C91	w/226"-280" WB.
			R230029 Roadside		1649638C91	

Drag Links

Axle Rating Lbs.	Axle Code/Year	Part Number	Stud Center to Stud Center	OEM Reference	Notes
		R250112	17.68"	1661437C91	

4600, 4700, 4800, 4900

King Pin Kits

Axle Rating Lbs.	Axle Code/Year	Part Number/ Bushing Type	King Pin Size	Type	OEM Reference	Notes
6000	I60S (02ADA), I80S (02ADB)	R200268 Bronze	1.359" x 7.970"	B	1660271C92	
8000	I60S (02ADA), I80S (02ADB)	R200268 Bronze	1.359" x 7.970"	B	1660271C92	
10000	I100S (02ADC)	R201426 Bronze	1.921" x 9.87"	B	1668411C91	
12000	I120S (02ADD)	R201426 Bronze	1.921" x 9.87"	B	1668411C91	
14000	I140S (02ADE)	R201427 Bronze	2.046" x 10.120"	B	1668412C91	
16000	FA231 (02231)	R200198 Bronze R201312 Easy Steer	1.999" x 11.212"	B	474520C91 597258C91	Meritor FL941
16000, 18000, 20000	I160S (02ADH), I200S (02ADK)	R200279 Composite	2.046" x 11.00"	B	1685405C91	

NAVISTAR

4600, 4700, 4800, 4900 (Continued)

Tie Rod Ends

Axle Rating Lbs.	Axle Code/Year	Part Number/ Location	Stud Center to Rod End	OEM Reference	Notes	
10000	I100S (02ADC)	R230069 Curbside	5.44"	507838C91	w/126"-225" WB.	
		R230068 Roadside		507837C91		
		R230028 Curbside	9.18"	1649637C91	w/226"-280" WB.	
		R230029 Roadside		1649638C91		
12000	FA082 (02EYB), FA083 (02083)	R230061 Curbside	4.875"	110363R92	Fabco SDA12.	
		R230060 Roadside		11036R92		
	I120S (02ADD)	R230069 Curbside	5.44"	507838C91	w/126"-225" WB.	
		R230068 Roadside		507837C91		
		R230028 Curbside	9.18"	1649637C91	w/226"-280" WB.	
		R230029 Roadside		1649638C91		
14000	I140S (02ADE)	R230069 Curbside	5.44"	507838C91		
		R230068 Roadside		507837C91		
	SDA14	R230061 Curbside	4.875"	110363R92		
		R230060 Roadside		110362R92		
16000	FA231 (02231), FL941	R230070 Curbside	5.75"	969056R91		
		R230071 Roadside		969055R91		
		R230104 Curbside	12.69"			w/ABS brakes.
		R230105 Roadside				
	I160S (02ADH)	R230104 Curbside	12.69"		179" and up WB.	
		R230105 Roadside				
18000	I180S (02ADJ)	R230104 Curbside	12.69"		179" and up WB.	
		R230105 Roadside				
20000	I200S (02ADK)	R230070 Curbside	5.75"	969056R91		
		R230071 Roadside		969055R91		
		R230104 Curbside	12.69"			179" and up WB.
		R230105 Roadside				

Drag Links

Axle Rating Lbs.	Axle Code/Year	Part Number	Stud Center to Stud Center	OEM Reference	Notes
		R250113	17.47"	1661867C91	4600LP/UH code 05PRG only.
		R250112	17.68"	1661437C91	Codes 05PRH, 05PRJ, 05PSA.

7100

King Pin Kits

Axle Rating Lbs.	Axle Code/Year	Part Number/ Bushing Type	King Pin Size	Type	OEM Reference	Notes
6000	I60S (02ADA), I80S (02ADB)	R200268 Bronze	1.359" x 7.970"	B	1660271C92	
8000	I60S (02ADA), I80S (02ADB)	R200268 Bronze	1.359" x 7.970"	B	1660271C92	
9000	I100S, I120S, 02ADL, 02ADC, 02ADN	R201426 Bronze	1.921" x 9.87"	B	FAK5455	
10000	I100S, I120S, 02ADL, 02ADC, 02ADN	R201426 Bronze	1.921" x 9.87"	B	FAK5455	
11000	I100S, I120S, 02ADL, 02ADC, 02ADN	R201426 Bronze	1.921" x 9.87"	B	FAK5455	
12000	E1200I (02AED)	R200281 Bronze	1.794" x 9.05"	B	823078	
	I120S (02ADD)	R201426 Bronze	1.921" x 9.87"	B	FAK5455	
14000	I140S (02ADE)	R201427 Bronze	2.046" x 10.120"	B	FAK5456	
16000	FA231 (02231)	R200198 Bronze	1.999" x 11.212"	B	474520C91	Double Drawkey.
		R201312 Easy Steer			597258C91	

Tie Rod Ends

Axle Rating Lbs.	Axle Code/Year	Part Number/ Location	Stud Center to Rod End	OEM Reference	Notes
10000	I100S (02ADC)	R230069 Curbside	5.44"	507838C91	w/126"-225" WB.
		R230068 Roadside		507837C91	
		R230028 Curbside	9.18"	1649637C91	w/226"-280" WB.
		R230029 Roadside		1649638C91	
12000	E1200I (02AED)	R230139 Curbside	6.00"	817019	
		R230140 Roadside		817018	
	FA082 (02EYB), FA083 (02083)	R230061 Curbside	4.875"	110363R92	Fabco SDA12.
		R230060 Roadside		110362R92	
	I120S (02ADD)	R230069 Curbside	5.44"	507838C91	w/126"-225" WB.
		R230068 Roadside		507837C91	
		R230028 Curbside	9.18"	1649637C91	w/226"-280" WB.
		R230029 Roadside		1649638C91	
16000	FA231 (02231)	R230104 Curbside	12.69"	1668480C91	w/Cast wheels.
		R230105 Roadside		1668479C91	

Drag Links

Axle Rating Lbs.	Axle Code/Year	Part Number	Stud Center to Stud Center	OEM Reference	Notes
		R250113	17.47"	1661867C91	7100 w/05PRG.
		R250112	17.68"	1661437C91	w/05PRH, 05PRJ, 05PSH, w/Power or manual steering.

8100, 8200, 8300 (Built 1989 and Later)

King Pin Kits

Axle Rating Lbs.	Axle Code/Year	Part Number/ Bushing Type	King Pin Size	Type	OEM Reference	Notes	
10000	I100S (02ADC)	R201426 Bronze	1.921" x 9.87"	B	FAK5455		
12000	E1200I (02AED)	R200281 Bronze	1.794" x 9.05"	B	823078		
		EFA12 (02250)	R200269 Bronze	1.625" x 9.195"	A	FAK4572	
	FA226, FF941, FF942, 02226, 02227	R200195 Bronze	1.794" x 10.392"		B	FAK4564	
		R201307 Easy Steer					
	FA337, I120, 02337	R200278 Composite	1.609" x 9.660"	B	1658934C93		
		R200074 Bronze	1.611" x 9.66"	B			
	FF961 (02ARA)	R201315 Easy Steer	1.794" x 10.392"	B	1665531C91	Uses drawkeys 7-X-1002 and 7-X-1003.	
	I120S, 02ADD, 02ADG	R201426 Bronze	1.921" x 9.87"	B	FAK5453		
13200	EFA12 (02AEA)	R200269 Bronze	1.625" x 9.195"	A	FAK4572		
		FA227 (02227)	R200195 Bronze	1.794" x 10.392"	B	549800C91	
	R201307 Easy Steer	597556C91					
	R201315 Easy Steer	1665531C91	Uses drawkeys 7-X-1002 and 7-X-1003.				
	FA343, I132, 02343	R200278 Composite	1.609" x 9.660"	B	1658934C93		
		R200074 Bronze	1.611" x 9.66"	B			
FF942 (02227)	R201307 Easy Steer	1.794" x 10.392"	B	597556C91			
R201315 Easy Steer	1665531C91			Uses drawkeys 7-X-1002 and 7-X-1003.			
14000	I140S (02ADE)	R201427 Bronze	2.046" x 10.120"	B	FAK5456		
16000	FA231 (02231), FA232 (02232), FA233 (02233), FL941 (02231)	R200198 Bronze	1.999" x 11.212"	B	474520C91		
		R201312 Easy Steer			597258C91		
18000	FA231 (02231), FA232 (02232), FA233 (02233), FL941 (02232)	R200198 Bronze	1.999" x 11.212"	B	474520C91		
		R201312 Easy Steer			597258C91		
20000	FA231 (02231), FA232 (02232), FA233 (02233), FL941 (02233)	R200198 Bronze	1.999" x 11.212"	B	474520C91		
		R201312 Easy Steer			597258C91		

NAVISTAR

8100, 8200, 8300 (Built 1989 and Later) (Continued)

Tie Rod Ends

Axle Rating Lbs.	Axle Code/Year	Part Number/ Location	Stud Center to Rod End	OEM Reference	Notes
10000	I100S (02ADC)	R230069 Curbside	5.44"	507838C91	w/126"-225" WB.
		R230068 Roadside		507837C91	
		R230028 Curbside	9.18"	1649637C91	w/226"-280" WB.
		R230029 Roadside		1649638C91	
12000	FF961 (02ARA)	R230069 Curbside	5.44"	507838C91	
		R230068 Roadside		507837C91	
	I120S (02ADD)	R230069 Curbside	5.44"	507838C91	w/126"-225" WB.
		R230068 Roadside		507837C91	
		R230028 Curbside	9.18"	1649637C91	w/226"-280" WB.
		R230029 Roadside		1649638C91	
	I120S (02ADG)	R230416 Curbside	9.43"	1668410C91	
		R230415 Roadside		1668409C91	
13200	FA227 (02227), FF942 (02227)	R230069 Curbside	5.44"	507838C91	
		R230068 Roadside		507837C91	

Drag Links

Axle Rating Lbs.	Axle Code/Year	Part Number	Stud Center to Stud Center	OEM Reference	Notes
		R250112	17.68"	1661437C91	

9200

King Pin Kits

Axle Rating Lbs.	Axle Code/Year	Part Number/ Bushing Type	King Pin Size	Type	OEM Reference	Notes
10000	I100S	R201426 Bronze	1.921" x 9.87"	B	1668411C91	
12000	EFA12 (02250)	R200269 Bronze	1.625" x 9.195"	A	FAK4572	
	FF961 (02ARA)	R201315 Easy Steer	1.794" x 10.392"	B	1665531C91	Uses drawkeys 7-X-1002 and 7-X-1003.
13200	FF942 (02227)	R201315 Easy Steer	1.794" x 10.392"	B	1665531C91	Uses drawkeys 7-X-1002 and 7-X-1003.
16000, 18000	FL941 (02231), (02232)	R201312 Easy Steer	1.999" x 11.212"	B	597258C91	
		I160S (02ADH), I180S (02ADJ), I200S (02ADK)	R200279 Composite	2.046" x 11.00"	B	

Tie Rod Ends

Axle Rating Lbs.	Axle Code/Year	Part Number/ Location	Stud Center to Rod End	OEM Reference	Notes
12000	EFA12 (02250), FF961 (02ARA)	R230069 Curbside	5.44"	507838C91	
		R230068 Roadside		507837C91	
	I120S (02ADD)	R230069 Curbside	5.44"	507838C91	w/o 04AZA ABS brakes, 154"-188" WB.
		R230068 Roadside		507837C91	
		R230028 Curbside	9.18"	1649637C91	189" WB and up.
		R230029 Roadside		1649638C91	
13200	FF942 (02227)	R230069 Curbside	5.44"	507838C91	
		R230068 Roadside		507837C91	
	I140S (02ADE)	R230416 Curbside	9.43"	1668410C91	
		R230415 Roadside		1668409C91	
16000, 18000	E1200I (02AED), E1320I (02AEG)	R230139 Curbside	6.00"	817019	
		R230140 Roadside		817018	
	FL941 (02231), (02232)	R230073 Curbside	7.37"	486355C91	
		R230072 Roadside		486354C91	

Axle Rating Lbs.	Axle Code/Year	Part Number/ Bushing Type	King Pin Size	Type	OEM Reference	Notes	
12000	EFA12 (02250)	R200267 Composite	1.625" x 9.195"	A	ETN0806355		
		R200269 Bronze					
	FA223 (02223)	R201315 Easy Steer	1.794" x 10.392"	B	1665531C91		
	FA234 (02234)	R201300 Bronze	1.607" x 9.375"	B	577684C91		Uses drawkeys 7-X-1002 and 7-X-1003.
	FA337 (02337), FA339 (02339)	R200278 Composite	1.609" x 9.660"	B	1658934C92		
13200	FA227 (02227)	R201307 Easy Steer	1.794" x 10.392"	B	597556C91		
		R201315 Easy Steer			1665531C91		Uses drawkeys 7-X-1002 and 7-X-1003.
	FA343 (02343)	R200278 Composite	1.609" x 9.660"	B	1658934C92		
14000	I140S (02ADE)	R201427 Bronze	2.046" x 10.120"	B	1668412C91		
14600	FG940 (02ARG)	R201309 Easy Steer	1.794" x 10.392"	B			
		R201310 Bronze					
16000	FA231 (02231), FA232 (02232)	R200198 Bronze	1.999" x 11.212"	B	474520C91		
		R201312 Easy Steer			597258C91		
16000, 18000	I160S (02ADH), I180S (02ADJ), I200S (02ADK)	R200279 Composite	2.046" x 11.00"	B	1685405C91		
18000	FA231 (02231), FA232 (02232)	R200198 Bronze	1.999" x 11.212"	B	474520C91		
		R201312 Easy Steer			597258C91		

Tie Rod Ends

Axle Rating Lbs.	Axle Code/Year	Part Number/ Location	Stud Center to Rod End	OEM Reference	Notes		
12000	FA226 (02226), EFA12 (02250), FF931 (02226), FF961 (02ARA)	R230069 Curbside	5.44"	507838C91			
		R230068 Roadside		507837C91			
		FA234 (02234)	R230075 Curbside	10.50"		577683C91	Meritor axle FF971.
			R230074 Roadside			577682C91	
	FA337 (02337), FA339 (02339)	R230028 Curbside	9.18"	1649637C91			
		R230029 Roadside		1649638C91			
	I-120S (02ADD)	R230069 Curbside	5.44"	507838C91		w/1659687C91 axle.	
		R230068 Roadside		507837C91			
		R230028 Curbside	9.18"	1649637C91		w/1659688C91 axle.	
		R230029 Roadside		1649638C91			
13200	FA227 (02227)	R230069 Curbside	5.44"	507838C91	Meritor axle FF942.		
		R230068 Roadside		507837C91			
	I132 (02343)	R230218 Curbside	10.84"	1658947C91			
R230217 Roadside		1658946C91					
14000	I140S (02ADE)	R230416 Curbside	9.43"	1668410C91	189" WB and up.		
		R230415 Roadside		1668409C91			
14600	FG941 (02ARG)	R230069 Curbside	5.44"	507838C91			
		R230068 Roadside		507837C91			
16000, 18000	E1200I (02AED), E1320I (02AEG)	R230139 Curbside	6.00"	817019			
		R230140 Roadside		817018			

Drag Links

Axle Rating Lbs.	Axle Code/Year	Part Number	Stud Center to Stud Center	OEM Reference	Notes
		R230411	12.40" Stud center to rod end	1658897C91	Drag link end for codes 05PRJ, 3600, 05PRK.3601.
		R250063	16.27"	503523C94	Includes 506684C91 (R230073) end, and 1658897C91 (R230411) long end.

NAVISTAR

9600, 9700

King Pin Kits

Axle Rating Lbs.	Axle Code/Year	Part Number/ Bushing Type	King Pin Size	Type	OEM Reference	Notes
10800	FA341 (02341)	R200278 Composite	1.609" x 9.660"	B	1658934C92	
12000	EFA12 (02250)	R200267 Composite	1.625" x 9.195"	A	ETN0806355	
		R200269 Bronze				
	FA223 (02223), FA226 (02226)	R200195 Bronze	1.794" x 10.392"	B	549800C91	
		R201307 Easy Steer			597556C91	
		R201315 Easy Steer			1665531C91	
	FA234 (02234)	R201300 Bronze	1.607" x 9.375"	B	577684C91	
	FA339 (02339)	R200278 Composite	1.609" x 9.660"	B	1658934C92	
	FF931 (02223)	R200195 Bronze	1.794" x 10.392"	B	549800C91	
	FF941 (02226)	R201307 Easy Steer	1.794" x 10.392"	B	597556C91	
		R201315 Easy Steer			1665531C91	
FF961 (02ARA)	R201315 Easy Steer	1.794" x 10.392"	B	1665531C91	Uses drawkeys 7-X-1002 and 7-X-1003.	
I120 (02337)	R200278 Composite	1.609" x 9.660"		1658934C92		
13200	FA227 (02227)	R200195 Bronze	1.794" x 10.392"	B	549800C91	Meritor axle FF931.
		R201307 Easy Steer			597556C91	
		R201315 Easy Steer			1665531C91	Meritor axle FF931. Uses drawkeys 7-X-1002 and 7-X-1003.
	I132 (02343)	R200278 Composite	1.609" x 9.660"	B	1658934C92	
16000	FA231 (02231), FA232 (02232)	R200198 Bronze	1.999" x 11.212"	B	474520C91	
		R201312 Easy Steer			597258C91	
18000	FA231 (02231), FA232 (02232)	R200198 Bronze	1.999" x 11.212"	B	474520C91	
		R201312 Easy Steer			597258C91	
24000	FA248 (02248)	R200278 Composite	1.609" x 9.660"	B	1658934C92	

Tie Rod Ends

Axle Rating Lbs.	Axle Code/Year	Part Number/ Location	Stud Center to Rod End	OEM Reference	Notes			
10800	FA341 (02341)	R230028 Curbside	9.18"	1649637C91				
		R230029 Roadside		1649638C91				
12000	EFA12 (02250), FF931 (02223), FF941 (02226), FF961 (02ARA), FA223 (02223), FA226 (02226)	R230069 Curbside	5.44"	507838C91				
		R230068 Roadside		507837C91				
		FA234 (02234)		R230075 Curbside		10.50"	577683C91	Meritor FF971.
				R230074 Roadside			577682C91	
	FA339 (02339)	R230230 Curbside	5.44"	506662C91	Drop end.			
		R230231 Roadside		506661C91				
		R230028 Curbside	9.18"	1649637C91	Straight end, greaseable type.			
		R230029 Roadside		1649638C91				
	FA340 (02340)	R230028 Curbside	9.18"	1649637C91				
		R230029 Roadside		1649638C91				
	I120 (02337)	R230230 Curbside	5.44"	506662C91	Drop end.			
				R230231 Roadside		506661C91		
		R230028 Curbside	9.18"	1649637C91	Straight end, greaseable type.			
				R230029 Roadside		1649638C91		
I120S (02ADD, 02ADG)	R230069 Curbside	5.44"	507838C91					
	R230068 Roadside		507837C91					
	R230416 Curbside	9.43"	1668410C91		w/04AZA ABS brakes /9700.			
	R230415 Roadside	1668409C91						
13200	FA227 (02227)	R230069 Curbside	5.44"	507838C91				
		R230068 Roadside		507837C91				
	I132 (02343)	R230230 Curbside	5.44"	506662C91	Dropped I-beam.			
		R230231 Roadside		506661C91				
		R230028 Curbside	9.18"	1649637C91	Straight end, greaseable type.			
		R230029 Roadside		1649638C91				
		R230218 Curbside	10.84"	1658947C91	Drop end, greaseable type.			
R230217 Roadside	1658946C91							
14000	I140S	R230069 Curbside	5.44"	507838C91	110" WB and up/9600			
		R230068 Roadside		507837C91				
		R230416 Curbside	9.43"	1668410C91		w/04AZA ABS brakes /9700.		
		R230415 Roadside		1668409C91				

Axle Rating Lbs.	Axle Code/Year	Part Number/ Location	Stud Center to Rod End	OEM Reference	Notes
24000	FA248 (02248)	R230028 Curbside	9.18"	1649637C91	
		R230029 Roadside		1649638C91	

Drag Links

Axle Rating Lbs.	Axle Code/Year	Part Number	Stud Center to Stud Center	OEM Reference	Notes
		R230411	12.40" Stud center to rod end	1658897C91	Drag link end for codes 05PRJ.4510, 05PSA.4518.

Additional Navistar Axles

King Pin Kits

Axle Rating Lbs.	Axle Code/Year	Part Number/ Bushing Type	King Pin Size	Type	OEM Reference	Notes
2800	FA1 (02001), FA10 (02010)	R200005 Bronze	0.859" x 5.440"	A	62905R93	w/Thrust bearing 2WD.
4000	FA28 (02028), FA30 (02030), FA40 (02040), FA41 (02041)	R200007 Bronze	1.109" x 6.250"	A	69971R91	2WD
		R200219 Bronze	1.125" x 6.250"	A	134455R91	2WD .015 oversize.
4500	FA12 (02012), FA20 (02020)	R200007 Bronze	1.109" x 6.250"	A	69971R91	2WD
		R200219 Bronze	1.125" x 6.250"	A	134455R91	2WD .015 oversize.
4700	FA28 (02028), FA30 (02030), FA40 (02040), FA41 (02041)	R200007 Bronze	1.109" x 6.250"	A	69971R91	2WD
		R200219 Bronze	1.125" x 6.250"	A	134455R91	2WD .015 oversize.
4800	FA48 (02048)	R200007 Bronze	1.109" x 6.250"	A	69971R91	2WD
		R200219 Bronze	1.125" x 6.250"	A	134455R91	2WD .015 oversize.
5000	FA71 (02071) I50	R200052 Bronze	1.359" x 7.968"	A	473695C91	2WD
		R200210 Bronze	1.374" x 7.970"	A	1648204C92	2WD .015 oversize.
		R200052 Bronze	1.359" x 7.968"	A	473695C91	.015 oversize.
5500	FA60 (02060), FA68 (02068), FA70 (02070), FA72 (02072)	R200008 Bronze	1.234" x 6.750"	A	70594R91	2WD
		R200009 Bronze	1.249" x 6.750"	A	134456R91	2WD .015 oversize.
6000	FA69 (02069) FA73 (02073), FA74 (02074), I60	R200003 Bronze	1.234" x 7.656"	A	61556R91	2WD
		R200004 Bronze	1.249" x 7.656"	A	134457R91	2WD .015 oversize.
		R200008 Bronze	1.234" x 6.750"	A	70594R91	2WD
		R200009 Bronze	1.249" x 6.750"	A	134456R91	2WD .015 oversize.
7000	FA95 (02095)	R200143 Bronze	1.234" x 7.438"	B		2WD, Meritor axle FC901.
		R200155 Nylon	1.234" x 7.438"	B		2WD, Meritor axle FC901.
		R200016 Bronze	1.244" x 7.440"	B		2WD, Meritor axle FC901. .01 oversize.
	FA97 (02097)	R200003 Bronze	1.234" x 7.656"	A	61556R91	2WD
		R200004 Bronze	1.249" x 7.656"	A	134457R91	2WD .015 oversize.
7500	FA101 (02101), FA103 (02103)	R200052 Bronze	1.359" x 7.968"	A	473695C91	2WD
		R200210 Bronze	1.374" x 7.970"	A	1648204C92	2WD .015 oversize.
	FA65 (02065)	R200003 Bronze	1.234" x 7.656"	A	61556R91	
		R200004 Bronze	1.249" x 7.656"	A	134457R91	
	FA80 (02080), FA91 (02091), FA98 (02098), FA99 (02099)	R200003 Bronze	1.234" x 7.656"	A	61556R91	2WD
		R200004 Bronze	1.249" x 7.656"	A	134457R91	2WD .015 oversize.
	I75	R200052 Bronze	1.359" x 7.968"	A	473695C91	2WD
		R200210 Bronze	1.374" x 7.970"	A	1648204C92	.015 oversize.

NAVISTAR

Additional Navistar Axles (Continued)

King Pin Kits (Continued)

Axle Rating Lbs.	Axle Code/Year	Part Number/ Bushing Type	King Pin Size	Type	OEM Reference	Notes
9000	FA100 (02100), FA102 (02102), FA105 (02105)	R200142 Bronze	1.434" x 8.500"	B	303136C92	2WD Meritor axle FD900.
		R200154 Nylon				
		R200021 Bronze	1.443" x 8.500"	B	303136C92	2WD Meritor axle FD900. .01 oversize.
	FA201 (02201)	R200167 Nylon	1.794" x 9.120"	B	303139C92	2WD
		R200172 Bronze				
	FA208 (02208)	R200142 Bronze	1.434" x 8.500"	B	303139C92	2WD
		R200154 Nylon			303136C92	
		R200021 Bronze	1.443" x 8.500"	B	303136C92	2WD .01 oversize.
	FA209 (02209)	R200142 Bronze	1.434" x 8.500"	B	303139C92	2WD
		R200154 Nylon			303136C92	
R200021 Bronze		1.443" x 8.500"	B	303136C92	2WD .01 oversize.	
I90	R200073 Bronze	1.609" x 9.16"	B	586809C91	For steering code 02309.	
	R200074 Bronze	1.611" x 9.66"	B	588808C91	Exc. steering code 02309.	
10800	I108	R200073 Bronze	1.609" x 9.16"	B	586809C91	For steering code 02309.
		R200074 Bronze	1.611" x 9.66"	B	588808C91	Exc. steering code 02309.
11000	FA112 (02112), FA113 (02113)	R200156 Nylon	1.607" x 8.740"	B	229265R91	2WD Meritor axle FE970.
		R200157 Bronze				
12000	FA110 (02110), FA111 (02111)	R200123 Nylon	9.750"	D	69576R92	Tapered pin. 2WD Meritor axle FE900.
		R200144 Bronze				
	FA115 (02115)	R200123 Nylon	9.750"	D	69576R92	Tapered pin. 2WD exc. model DC0200 w/diesel eng.
		R200144 Bronze				
	FA211 (02211)	R200167 Nylon	1.794" x 9.120"	B	303139C92	2WD
		R200172 Bronze				
	FA212 (02212), FA213 (02213)	R200167 Nylon	1.794" x 9.120"	B	303139C92	2WD
		R200172 Bronze				
	FA215 (02215)	R200167 Nylon	1.794" x 9.120"	B	303139C92	2WD
		R200172 Bronze				
	FA218 (02218)	R200167 Nylon	1.794" x 9.120"	B	303139C92	2WD
		R200172 Bronze				
	FA219 (02219)	R200167 Nylon	1.794" x 9.120"	B	303139C92	2WD
		R200172 Bronze				
	FA225 (02225)	R200199 Bronze	1.794" x 10.410"	B	452344C91	2WD Meritor axle FF921.
	FA226 (02226)	R200195 Bronze	1.794" x 10.392"	B	549800C91	2WD Meritor axle FF931.
R201307 Easy Steer				597556C91		
FA228 (02228), FA229 (02229)	R200199 Bronze	1.794" x 10.410"	B	452344C91	Meritor axle FF921.	
FA234 (02234)	R201303 Stainless Steel	1.607" x 8.812"	B	577684C91	Meritor axle FF971.	
	R201300 Bronze	1.607" x 9.375"	B	577684C91	Meritor axle FF971.	
	R200073 Bronze	1.609" x 9.16"	B	586809C91	For steering code 02309.	
	R200074 Bronze	1.611" x 9.66"	B	588808C91	Exc. steering code 02309.	
13000	FA401 (02401)	R200074 Bronze	1.611" x 9.66"	B	588808C91	Paystar series.
15000	FA132 (02132), FA133 (02133)	R200146 Nylon	10.688"	D	201600R93	Tapered pin 2WD. Meritor axle FG900.
		R200153 Bronze				
16000	FA136 (02136), FA137 (02137)	R200168 Nylon	1.999" x 11.040"	B	303140C92	2WD Meritor axle FH901.
		R200170 Bronze				
	FA231 (02231), FA237 (02237)	R200198 Bronze	1.999" x 11.212"	B	474520C91	2WD Meritor axle FL931.
R201312 Easy Steer				597258C91		
18000	FA182 (02182)	R200168 Nylon	1.999" x 11.040"	B	303140C92	2WD Meritor axle FL901.
		R200170 Bronze				
	FA232 (02232), FA238 (02238)	R200198 Bronze	1.999" x 11.212"	B	474520C91	2WD Meritor axle FL931.
R201312 Easy Steer				597258C91		
20000	FA183 (02183)	R200168 Nylon	1.999" x 11.040"	B	303140C92	2WD Meritor axle FL901.
		R200170 Bronze				
	FA233 (02233), FA239 (02239)	R200198 Bronze	1.999" x 11.212"	B	474520C91	2WD Meritor axle FL931.
R201312 Easy Steer				597258C91		

Additional Navistar Axles (Continued)

Tie Rod Ends

Axle Rating Lbs.	Axle Code/Year	Part Number/ Location	Stud Center to Rod End	OEM Reference	Notes
2800	FA1 (02001)	R230081 Curbside	3.25"	185121R91	2WD Up to 1968.
		R230082 Roadside		185120R91	
	FA10 (02010)	R230081 Curbside	3.25"	185121R91	2WD
		R230082 Roadside		185120R91	
3500	FA18 (02018)	R230003 Curbside	3.50"	894145R91	4WD To 1968 Dana axle model 44.
		R230002 Roadside		894144R91	
4700	FA18 (02018)	R230003 Curbside	3.50"	894145R91	4WD To 1968 Dana axle model 44.
		R230002 Roadside		894144R91	
5000	FA71 (02071)	R230019 Curbside	4.43"	450062C91	2WD
		R230018 Roadside		450063C91	
	I50	R230019 Curbside	4.43"	450062C91	
		R230018 Roadside		450063C91	
5500	FA60 (02060)	R230007 Curbside	3.88"	263499C91	2WD w/Manual steering.
		R230006 Roadside		263498C91	
	FA68 (02068), FA70 (02070), FA72 (02072), FA89 (02089)	R230007 Curbside	3.88"	263499C91	
		R230006 Roadside		263498C91	
6000	FA51 (02051)	R230004 Roadside	3.88"	219403R91	4WD Dana axle.
	FA52 (02052)	R230004 Roadside	3.88"	219403R91	4WD Dana axle model 70F.
	FA69 (02069)	R230007 Curbside	3.88"	263499C91	2WD
		R230006 Roadside		263498C91	
	FA73 (02073), FA74 (02074)	R230019 Curbside	4.43"	450062C91	
		R230018 Roadside		450063C91	
	I60	R230019 Curbside	4.43"	450062C91	
		R230018 Roadside		450063C91	
7000	FA97 (02097)	R230007 Curbside	3.88"	263499C91	2WD
		R230006 Roadside		263498C91	
7500	FA101 (02101), FA103 (02103)	R230019 Curbside	4.43"	450062C91	2WD
		R230018 Roadside		450063C91	
	FA65 (02065)	R230007 Curbside	3.88"	263499C91	2WD w/Manual steering.
		R230006 Roadside		263498C91	
	FA80 (02080), FA98 (02098), FA99 (02099)	R230007 Curbside	3.88"	263499C91	2WD
		R230006 Roadside		263498C91	
	FA90 (02090)	R230005 Curbside	3.88"	219404R91	2WD After chassis no. FA48391.
		R230004 Roadside		219403R91	
	FA91 (02091)	R230007 Curbside	3.88"	263499C91	2WD Exc. CO1950 w/power steering.
		R230006 Roadside		263498C91	
I75	R230019 Curbside	4.43"	450062C91		
	R230018 Roadside		450063C91		
9000	FA100 (02100), FA102 (02102), FA105 (02105)	R230061 Curbside	4.875"	110363R92	2WD Meritor axle FD900.
		R230060 Roadside		110362R92	
	FA201 (02201)	R230061 Curbside	4.875"	110363R92	2WD
		R230060 Roadside		110362R92	
	FA208 (02208), FA209 (02209)	R230061 Curbside	4.875"	110363R92	
		R230060 Roadside		110362R92	
11000	FA112 (02112), FA113 (02113)	R230075 Curbside	10.50"	577683C91	2WD Meritor axle FE970.
		R230074 Roadside		577682C91	

NAVISTAR

Additional Navistar Axles (Continued)

Tie Rod Ends (Continued)

Axle Rating Lbs.	Axle Code/Year	Part Number/ Location	Stud Center to Rod End	OEM Reference	Notes
12000	FA110 (02110), FA111 (02111)	R230061 Curbside	4.875"	110363R92	2WD Meritor axle FE900.
		R230060 Roadside		110362R92	Meritor axle FE900.
	FA115 (02115)	R230061 Curbside	4.875"	110363R92	2WD Exc. model DC0200 w/diesel engine.
		R230060 Roadside		110362R92	
	FA211 (02211)	R230061 Curbside	4.875"	110363R92	
		R230060 Roadside		110362R92	
	FA212 (02212), FA213 (02213)	R230061 Curbside	4.875"	110363R92	2WD
		R230060 Roadside		110362R92	
	FA215 (02215)	R230061 Curbside	4.875"	110363R92	2WD
		R230060 Roadside		110362R92	
	FA218 (02218)	R230061 Curbside	4.875"	110363R92	2WD
		R230060 Roadside		110362R92	
	FA219 (02219)	R230061 Curbside	4.875"	110363R92	2WD
R230060 Roadside		110362R92			
FA225 (02225), FA228 (02228), FA229 (02229)	R230069 Curbside	5.44"	507838C91	2WD Meritor axle FF221.	
	R230068 Roadside		507837C91		
FA226 (02226)	R230069 Curbside	5.44"	507838C91	2WD Meritor axle FF931.	
	R230068 Roadside		507837C91		
FA234 (02234)	R230075 Curbside	10.50"	577683C91	2WD Meritor axle FF971.	
	R230074 Roadside		577682C91		
13000	FA401 (02401)	R230070 Curbside	5.75"	969056R91	2WD Paystar series.
		R230071 Roadside		969055R91	
15000	FA132 (02132), FA133 (02133)	R230061 Curbside	4.875"	110363R92	2WD Meritor axle FG900.
		R230060 Roadside		110362R92	
16000	FA136 (02136), FA137 (02137)	R230070 Curbside	5.75"	969056R91	2WD Meritor axle FH901.
		R230071 Roadside		969055R91	
	FA231 (02231), FA237 (02237)	R230072 Roadside	7.37"	486354C91	2WD Meritor Axle FL931.
		R230073 Curbside		486355C91	2WD Meritor axle FL931.
18000	FA182 (02182)	R230070 Curbside	5.75"	969056R91	2WD Meritor axle FL901.
		R230071 Roadside		969055R91	
	FA194 (02194)	R230066 Roadside	5.75"	491665C91	4WD Meritor drive FDS1807. 1.25"-12 RH thread.
		R230077 Curbside		491666C91	4WD Meritor drive FDS1807. 1.25"-16 RH thread.
		R230095 Roadside		592872C91	4WD Meritor drive FDS1807. 1.25"-18 RH thread.
	FA232 (02232), FA238 (02238)	R230073 Curbside	7.37"	486355C91	2WD Meritor axle FL931.
		R230072 Roadside		486354C91	
20000	FA183 (02183)	R230070 Curbside	5.75"	969056R91	2WD Meritor axle FL901.
		R230071 Roadside		969055R91	
	FA233 (02233), FA239 (02239)	R230073 Curbside	7.37"	486355C91	2WD Meritor axle FL931.
		R230072 Roadside		486354C91	
21000	FA195 (02195)	R230066 Roadside	5.75"	491665C91	4WD Meritor drive FDS1807. 1.25"-12 RH thread.
		R230077 Curbside		491666C91	4WD Meritor drive FDS1807. 1.25"-16 RH thread.
		R230095 Roadside		592872C91	4WD Meritor drive FDS1807. 1.25"-18 RH thread.

C1100, C1200, C1300 w/FA10 Axle

King Pin Kits

Axle Rating Lbs.	Axle Code/Year	Part Number/ Bushing Type	King Pin Size	Type	OEM Reference	Notes
	1966-68	R200005 Bronze	0.859" x 5.440"	A	62905R93	w/Thrust bearing.

C1200 4WD

Tie Rod Ends

Axle Rating Lbs.	Axle Code/Year	Part Number/ Location	Stud Center to Rod End	OEM Reference	Notes
	1967-69	R230003 Curbside R230002 Roadside	3.50"	894145R91 894144R91	w/FA18 axle.

NAVISTAR

C1500 w/FA28, FA48 Axle

King Pin Kits

Axle Rating Lbs.	Axle Code/Year	Part Number/ Bushings Type	King Pin Size	Type	OEM Reference	Notes
	1962-68	R200007 Bronze	1.109" x 6.250"	A	69971R91	

CO/COF9670, Eagle

King Pin Kits

Axle Rating Lbs.	Axle Code/Year	Part Number/ Bushings Type	King Pin Size	Type	OEM Reference	Notes
10800	FA341 (02341)	R200055 Bronze R200056 Nylon	1.609" x 9.660"	A	493094C92	
12000	FA223 (02223)	R200195 Bronze R201307 Easy Steer	1.794" x 10.392"	B	549800C91 597556C91	Meritor axle FF941.
	FA226 (02226)	R200195 Bronze R201307 Easy Steer	1.794" x 10.392"	B	549800C91 597556C91	Meritor axle FF931.
	FA234 (02234)	R201300 Bronze	1.607" x 9.375"	B	577684C91	Meritor axle FF971. Center point steering.
	FA337 (02337), FA339 (02339)	R200074 Bronze	1.611" x 9.66"	B	588808C91	
	FA340 (02340)	R200055 Bronze R200056 Nylon	1.609" x 9.660"	A	493094C92	
16000	FA231 (02231)	R200198 Bronze R201312 Easy Steer	1.999" x 11.212"	B	474520C91 597258C91	Meritor axle FL931.
18000	FA232 (02232)	R200198 Bronze R201312 Easy Steer	1.999" x 11.212"	B	474520C91 597258C91	Meritor axle FL931.
24000	FA340 (02340)	R200055 Bronze R200056 Nylon	1.609" x 9.660"	A	493094C92	Dual 12,000 lb. Navistar axles.

Tie Rod Ends

Axle Rating Lbs.	Axle Code/Year	Part Number/ Location	Stud Center to Rod End	OEM Reference	Notes
10800	FA341 (02341)	R230028 Curbside R230029 Roadside	9.18"	507836C91 507835C91	Greaseable type.
12000	FA223 (02223)	R230069 Curbside R230068 Roadside	5.44"	507838C91 507837C91	Meritor axle FF941.
	FA226 (02226)	R230069 Curbside R230068 Roadside	5.44"	507838C91 507837C91	Meritor axle FF931.
	FA234 (02234)	R230075 Curbside R230074 Roadside	10.50"	577683C91 577682C91	Meritor axle FF971. Center point steering.
	FA337 (02337), FA339 (02339), FA340 (02340)	R230230 Curbside R230231 Roadside	5.44"	506662C91 506661C91	Drop end.
		R230028 Curbside R230029 Roadside	9.18"	507835C91 507836C91	Straight end. Greaseable type.
16000	FA231 (02231)	R230073 Curbside R230072 Roadside	7.37"	486355C91 486354C91	Meritor axle FL931.
18000	FA232 (02232)	R230073 Curbside R230072 Roadside	7.37"	486355C91 486354C91	Meritor axle FL931.
24000	FA340 (02340)	R230028 Curbside R230029 Roadside	9.18"	507835C91 507836C91	Greaseable type. Dual 12,000 lb. Navistar axles.
24500	FA344 (02340)	R230028 Curbside R230029 Roadside	9.18"	507835C91 507836C91	

Drag Links

Axle Rating Lbs.	Axle Code/Year	Part Number	Stud Center to Stud Center	OEM Reference	Notes
		R230073	7.37" Stud center to rod end	581063C91	End only. Use with 503523C91 (R250063).
		R250063	16.27"	503523C91	Includes 581063C91 (R230073) end.

NAVISTAR

CO4000, COF4000, COT4000

King Pin Kits

Axle Rating Lbs.	Axle Code/Year	Part Number/ Bushing Type	King Pin Size	Type	OEM Reference	Notes
9000	FA109 (02109)	R200031 Bronze	1.484" x 8.531"	B	306920C91	
12000	FA112 (02112)	R200156 Nylon	1.607" x 8.740"	B	303138C92	Meritor axle FE970. Center point steering.
		R200157 Bronze				
	FA119 (02119)	R200032 Bronze	1.609" x 9.610"	B	306921C93	
		R200033 Nylon				
16000	FA215 (02215)	R200007 Bronze	1.109" x 6.250"	A	303139C91	
		R200168 Nylon				
16000	FA136 (02136)	R200170 Bronze	1.999" x 11.040"	B	303140C92	Meritor axle FH901.
		R200168 Nylon				
18000	FA182 (02182)	R200168 Nylon	1.999" x 11.040"	B	303140C92	Meritor axle FL901.
		R200170 Bronze				

Tie Rod Ends

Axle Rating Lbs.	Axle Code/Year	Part Number/ Location	Stud Center to Rod End	OEM Reference	Notes
9000	FA109 (02109)	R230028 Curbside	9.18"	377635C91	Greaseable type from 1970.
		R230029 Roadside		377636C91	
12000	FA112 (02112)	R230075 Curbside	10.50"	894050R93	Center point steering.
		R230074 Roadside		894049R93	
	FA119 (02119)	R230028 Curbside	9.18"	377635C91	Greaseable type from 1970.
		R230029 Roadside		377636C91	
FA215 (02215)	R230061 Curbside	4.875"	110363R92		
	R230060 Roadside		110362R92		
16000	FA136 (02136)	R230070 Curbside	5.75"	969056R91	Meritor axle FH901.
		R230071 Roadside		969055R91	
18000	FA182 (02182)	R230070 Curbside	5.75"	969056R91	Meritor axle FL901.
		R230071 Roadside		969055R91	

COF5870

King Pin Kits

Axle Rating Lbs.	Axle Code/Year	Part Number/ Bushing Type	King Pin Size	Type	OEM Reference	Notes
16000	FA231 (02231)	R200198 Bronze	1.999" x 11.212"	B	474520C91	Meritor axle FH901.
		R201312 Easy Steer			597258C91	
		FL941 (02231)			R201312 Easy Steer	
18000, 20000	FA232 (02231), FA233 (02233)	R200198 Bronze	1.999" x 11.212"	B	474520C91	Meritor axle FL931.
		R201312 Easy Steer			597258C91	
		FL941 (02232), (02233)			R201312 Easy Steer	
24000	FA242 (02242)	R200042 Bronze	1.609" x 9.660"	B	399942C93	Dual Navistar 12,000 lb. Axles.
		R200043 Nylon				
32000	I120 Dual	R200278 Composite	1.609" x 9.660"	B	1658934C93	Dual Meritor 16,000 lb. FL931 axles.
		R200198 Bronze			474520C91	
		R201312 Easy Steer			597258C91	
32000	FA241 (02241)	R200198 Bronze	1.999" x 11.212"	B	474520C91	Dual Meritor 16,000 lb. FL931 axles.
		R201312 Easy Steer			597258C91	
32000	FL941 (02241)	R201312 Easy Steer	1.999" x 11.212"	B	597258C91	
		R201312 Easy Steer			597258C91	

Tie Rod Ends

Axle Rating Lbs.	Axle Code/Year	Part Number/ Location	Stud Center to Rod End	OEM Reference	Notes
16000, 18000, 20000, 32000	FL941	R230073 Curbside	7.37"	486355C91	Meritor axle codes 02231, 02232, 02233, 02241.
		R230072 Roadside		486354C91	
21000	FDS1805 (02195)	R230077 Curbside	5.75"	491666C91	After 2/2/83. 1.25-16 RH thread.
		R230095 Roadside		592872C91	After 2/2/83. 1.25-18 RH thread.
		R230066 Roadside		491665C91	Before 2/2/83. 1.25"-12 RH thread.
24000	I120 (02242)	R230028 Curbside	9.18"	1649637C91	Spicer axle code 02242.
		R230029 Roadside		1649638C91	

Cargostar Models CO1610, CO1630, CO1710, CO1730, CO1750, CO1810, COF1810, CO1830, CO1850, CO1910, COF1910, CO1950, COF1950

King Pin Kits

Axle Rating Lbs.	Axle Code/Year	Part Number/ Bushing Type	King Pin Size	Type	OEM Reference	Notes
6000	FA69 (02069)	R200008 Bronze	1.234" x 6.750"	A	70594R91	
		R200009 Bronze	1.249" x 6.750"	A	134456R91	.015 oversize.
	FA74 (02074)	R200052 Bronze	1.359" x 7.968"	A	473695C91	
		R200210 Bronze	1.374" x 7.970"	A	1648204C92	.015 oversize.
7000	FA99 (02099)	R200003 Bronze	1.234" x 7.656"	A	61556R91	
		R200004 Bronze	1.249" x 7.656"	A	134457R91	.015 oversize.
7500	FA103 (02103)	R200052 Bronze	1.359" x 7.968"	A	473695C91	
		R200210 Bronze	1.374" x 7.970"	A	1648204C92	.015 oversize.
	FA99 (02099)	R200003 Bronze	1.234" x 7.656"	A	61556R91	
		R200004 Bronze	1.249" x 7.656"	A	134457R91	.015 oversize.
9000	FA109 (02109)	R200034 Bronze	1.480" x 8.866"	B	408547C93	
		R200054 Bronze	1.484" x 8.866"	A	493092C91	
		R200277 Bronze	1.484" x 8.866"	B	591945C92	Steel clad bronze bushings.
	FA209 (02209)	R200142 Bronze	1.434" x 8.500"	B	303136C92	
		R200154 Nylon				
		R200021 Bronze	1.443" x 8.500"	B		.01 oversize.
	FA309 (02309)	R200058 Nylon	1.609" x 9.16"	A	493095C91	
		R200073 Bronze	1.609" x 9.16"	B	586809C91	
		R200057 Bronze	1.61" x 9.16"	A	493095C91	
	10800	FA329 (02329)	R200042 Bronze	1.609" x 9.660"	B	399942C93
R200043 Nylon						
R200055 Bronze			1.609" x 9.660"	A	493094C92	
R200056 Nylon						
12000	FA139 (02139)	R200055 Bronze	1.609" x 9.660"	A	493094C92	
		R200056 Nylon				
	FA219 (02219)	R200167 Nylon	1.794" x 9.120"	B	303139C92	
		R200172 Bronze				
	FA339 (02339)	R200042 Bronze	1.609" x 9.660"	B	399942C93	
		R200043 Nylon				
		R200055 Bronze	1.609" x 9.660"	A	493094C92	
		R200056 Nylon				
16000	FA136 (02136)	R200168 Nylon	1.999" x 11.040"	B	303140C92	Meritor axle FH901.
		R200170 Bronze				
	FA231 (02231)	R200198 Bronze	1.999" x 11.212"	B	474520C91	Meritor axle FL931.
		R201312 Easy Steer			597258C91	
18000	FA232 (02232)	R200198 Bronze	1.999" x 11.212"	B	474520C91	Meritor axle FL931.
		R201312 Easy Steer			597258C91	

Tie Rod Ends

Axle Rating Lbs.	Axle Code/Year	Part Number/ Location	Stud Center to Rod End	OEM Reference	Notes
6000	FA69 (02069)	R230007 Curbside	3.88"	263499C91	
		R230006 Roadside		263498C91	
	FA74 (02074)	R230019 Curbside	4.43"	450062C91	
		R230018 Roadside		450063C91	
7000	FA99 (02099)	R230006 Roadside	3.88"	263498C91	
	FA99 (02099)	R230007 Curbside		263499C91	
7500	FA103 (02103)	R230019 Curbside	4.43"	450062C91	
		R230018 Roadside		450063C91	
	FA99 (02099)	R230007 Curbside	3.88"	263499C91	
		R230006 Roadside		263498C91	
9000	FA109 (02109), FA309 (02309)	R230069 Curbside	5.44"	507838C91	
		R230068 Roadside		507837C91	
	FA209 (02209)	R230061 Curbside	4.875"	110363R92	
		R230060 Roadside		110362R92	
10800	FA329	R230069 Curbside	5.44"	507838C91	
		R230068 Roadside		507837C91	
12000	FA139 (02139), FA339 (02139)	R230069 Curbside	5.44"	507838C91	
		R230068 Roadside		507837C91	
	FA219 (02219)	R230061 Curbside	4.875"	110363R92	
		R230060 Roadside		110362R92	

NAVISTAR

Cargostar Models CO1610, CO1630, CO1710, CO1730, CO1750, CO1810, COF1810, CO1830, CO1850, CO1910, COF1910, CO1950, COF1950 (Continued)

Tie Rod Ends (Continued)

Axle Rating Lbs.	Axle Code/Year	Part Number/ Location	Stud Center to Rod End	OEM Reference	Notes
16000	FA136 (02136)	R230070 Curbside	5.75"	969056R91	Meritor axle FH901.
		R230071 Roadside		969055R91	
	FA231 (02231)	R230073 Curbside	7.37"	486355C91	Meritor axle FL931.
		R230072 Roadside		486354C91	
18000	FA232 (02232)	R230073 Curbside	7.37"	486355C91	Meritor axle FL931.
		R230072 Roadside		486354C91	

D400, DC400, DCF400, DCF400M, DF400, D405, DC405, DCF405, DCT405, DF405, DT405

King Pin Kits

Axle Rating Lbs.	Axle Code/Year	Part Number/ Bushing Type	King Pin Size	Type	OEM Reference	Notes
11000	FA112 (02112)	R200156 Nylon	1.607" x 8.740"	B	303138C92	Meritor axle FE970.
		R200157 Bronze				Contains dust cap and screws. Meritor axle FE970.
12000	FA119 (02119)	R200032 Bronze	1.609" x 9.610"	B	306921C93	
		R200033 Nylon				
	FA139 (02139)	R200042 Bronze	1.609" x 9.660"	B	399942C93	
		R200043 Nylon				
FA215 (02215), FA218 (02218)	R200167 Nylon	1.794" x 9.120"	B	303139C92		
	R200172 Bronze					
16000	FA228 (02228)	R200199 Bronze	1.794" x 10.410"	B	452344C91	Meritor axle FF921.
		FA136 (02136)				R200168 Nylon
18000	FA182 (02182)	R200170 Bronze	1.999" x 11.040"	B	303140C92	Meritor axle FL901.
		R200168 Nylon				R200170 Bronze

Tie Rod Ends

Axle Rating Lbs.	Axle Code/Year	Part Number/ Location	Stud Center to Rod End	OEM Reference	Notes
12000	FA119 (02119)	R230028 Curbside	9.18"	447094C91	From chassis numbers G297629, Y17500. Greaseable type.
		R230029 Roadside		447095C91	
	FA139 (02139)	R230028 Curbside	9.18"	447094C91	Greaseable type.
		R230029 Roadside		447095C91	
FA215 (02215), FA218 (02218)	R230061 Curbside	4.875"	110363R92		
	R230060 Roadside		110362R92		
FA228 (02228)	R230069 Curbside	5.44"	438369C91	Meritor axle FF921.	
	R230068 Roadside		438368C91		
16000	FA136 (02136)	R230070 Curbside	5.75"	969056R91	Meritor axle FH901.
		R230071 Roadside		969055R91	
18000	FA182 (02182)	R230070 Curbside	5.75"	969056R91	Meritor axle FL901.
		R230071 Roadside		969055R91	

Fleetstar Models 1900, F1900, T1900, F1900A, 1910A, 1950, F1950, T1950, 2000, F2000, T2000, 2010A, F2010A, 2050A, F2050A, 2070A, F2070A, 2110A

King Pin Kits

Axle Rating Lbs.	Axle Code/Year	Part Number/ Bushing Type	King Pin Size	Type	OEM Reference	Notes	
7000	FA91 (02091), FA98 (02098)	R200003 Bronze	1.234" x 7.656"	A	61556R91		
		R200004 Bronze	1.249" x 7.656"	A	134457R91	.015 oversize	
7500	FA101 (02101)	R200210 Bronze	1.374" x 7.970"	A	1648204C92	.015 oversize	
		FA101(02101)	R200052 Bronze	1.359" x 7.968"	A	473695C91	
		FA91 (02091), FA98 (02098)	R200003 Bronze	1.234" x 7.656"	A	61556R91	
9000	FA105 (02105)	R200004 Bronze	1.249" x 7.656"	A	134457R91	.015 oversize	
		R200142 Bronze	1.434" x 8.500"	B	303136C92	Meritor axle FD900.	
		R200154 Nylon			363136C92		
	FA109 (02109)	R200021 Bronze	1.443" x 8.500"	B		.01 oversize. Meritor axle FD900.	
		R200034 Bronze	1.480" x 8.866"	B	408547C93		
		R200054 Bronze	1.484" x 8.866"	A	493092C91		
	FA309 (02309)	R200277 Bronze	1.484" x 8.866"	B	591945C92	Steel clad bronze bushings.	
		R200058 Nylon	1.609" x 9.16"	A	493095C91		
		R200042 Bronze	1.609" x 9.660"	B	399942C93		
		R200043 Nylon					
10800	FA329 (02329)	R200278 Composite			1658934C91		
		R200057 Bronze	1.61" x 9.16"	A	493095C91		
		R200042 Bronze	1.609" x 9.660"	B	399942C93		
		R200043 Nylon					
		R200055 Bronze	1.609" x 9.660"	A	493094C92		
		R200056 Nylon					
		R200278 Composite	1.609" x 9.660"	B	1658934C91		
12000	FA112 (02112)	R200074 Bronze	1.611" x 9.66"	B	588808C91	Contains lubrication fittings.	
		R200156 Nylon	1.607" x 8.740"	B	303138C92	Meritor axle FE970. Center point steering.	
	FA119 (02119)	R200157 Bronze					
		R200032 Bronze	1.609" x 9.610"	B	306921C93		
	FA139 (02139)	R200033 Nylon					
		R200042 Bronze	1.609" x 9.660"	B	399942C93		
		R200043 Nylon					
		R200055 Bronze	1.609" x 9.660"	A	493094C92		
		R200056 Nylon					
	FA211 (02211), FA215 (02215)	R200278 Composite	1.609" x 9.660"	B	1658934C91		
		R200167 Nylon	1.794" x 9.120"	B	303139C92		
		R200172 Bronze					
FA228 (02228)		R200199 Bronze	1.794" x 10.410"	B	452344C91	Meritor axle FF921.	
FA339 (02339)		R200042 Bronze	1.609" x 9.660"	B	399942C93		
		R200043 Nylon					
		R200055 Bronze	1.609" x 9.660"	A	493094C92		
	R200056 Nylon						
16000	FA136 (02136)	R200278 Composite	1.609" x 9.660"	B	1658934C91		
		R200168 Nylon	1.999" x 11.040"	B	303140C92	Meritor axle FH901.	
	FA231 (02231)	R200170 Bronze					
		R200198 Bronze	1.999" x 11.212"	B	474520C91	Meritor axle FH901.	
	18000	FA182 (02182)	R201312 Easy Steer			597258C91	
			R200168 Nylon	1.999" x 11.040"	B	303140C92	Meritor axle FL901.
FA232 (02232)	R200170 Bronze						
	R200198 Bronze	1.999" x 11.212"	B	474520C91	Meritor axle FL931.		
		R201312 Easy Steer			597258C91		

NAVISTAR

Fleetstar Models 1900, F1900, T1900, F1900A, 1910A, 1950, F1950, T1950, 2000, F2000, T2000, 2010A, F2010A, 2050A, F2050A, 2070A, F2070A, 2110A (Continued)

Tie Rod Ends

Axle Rating Lbs.	Axle Code/Year	Part Number/ Location	Stud Center to Rod End	OEM Reference	Notes
7000	FA91 (02091), FA98 (02098)	R230007 Curbside	3.88"	263499C91	
		R230006 Roadside		263498C91	
7500	FA101 (02101)	R230019 Curbside	4.43"	450062C91	
		R230018 Roadside		450063C91	
	FA91 (02091), FA98 (02098)	R230007 Curbside	3.88"	263499C91	
		R230006 Roadside		263498C91	
9000	FA105 (02105)	R230061 Curbside	4.875"	110363R92	
		R230060 Roadside		110362R92	
	FA109 (02109), FA309 (02309)	R230028 Curbside	9.18"	447094C91	Greaseable type.
		R230029 Roadside		447095C91	
10800	FA329 (02329)	R230028 Curbside	9.18"	447094C91	Greaseable type.
		R230029 Roadside		447095C91	
12000	FA112 (02112)	R230075 Curbside	10.50"	894050R93	Meritor axle FE970 with center point steering.
		R230074 Roadside		894049R93	
	FA119 (02119), FA139 (02139), FA339 (02339)	R230028 Curbside	9.18"	447094C91	Greaseable type.
		R230029 Roadside		447095C91	
	FA211 (02211), FA215 (02215)	R230061 Curbside	4.875"	110363R92	
		R230060 Roadside		110362R92	
	FA228 (02228)	R230069 Curbside	5.44"	438369C91	Meritor axle FF921.
		R230068 Roadside		438368C91	
16000	FA136 (02136)	R230070 Curbside	5.75"	969056R91	Meritor axle FH901.
		R230071 Roadside		969055R91	
	FA231 (02231)	R230073 Curbside	7.37"	486355C91	Meritor axle FH901.
		R230072 Roadside		486354C91	
18000	FA182 (02182)	R230070 Curbside	5.75"	969056R91	Meritor axle FL901.
		R230071 Roadside		969055R91	
	FA232 (02232)	R230073 Curbside	7.37"	486355C91	Meritor axle FL931.
		R230072 Roadside		486354C91	

Loadstar and School Bus Models 1600, CO1600, F1600, 1700, CO1700, F1700, 1750, CO1750, 1800, CO1800, F1800, 1850, CO1850, F1850, 1890

King Pin Kits

Axle Rating Lbs.	Axle Code/Year	Part Number/ Bushing Type	King Pin Size	Type	OEM Reference	Notes
4700	FA48 (02048)	R200007 Bronze	1.109" x 6.250"	A	69971R91	
		R200219 Bronze	1.125" x 6.250"	A	134455R91	.015 oversize.
5000	FA68 (02068)	R200008 Bronze	1.234" x 6.750"	A	70594R91	
		R200009 Bronze	1.249" x 6.750"	A	134456R91	.015 oversize.
	FA71 (02071)	R200052 Bronze	1.359" x 7.968"	A	473695C91	
		R200268 Bronze	1.359" x 7.970"	B	1660271C92	
5500	FA72 (02072)	R200210 Bronze	1.374" x 7.970"	A	1648204C92	.015 oversize.
		R200008 Bronze	1.234" x 6.750"	A	70594R91	
	FA89 (02089)	R200009 Bronze	1.249" x 6.750"	A	134456R91	.015 oversize.
		R200003 Bronze	1.234" x 7.656"	A	61556R91	
6000	FA73 (02073)	R200004 Bronze	1.249" x 7.656"	A	134457R91	.015 oversize.
		R200052 Bronze	1.359" x 7.968"	A	473695C91	
	FA71 (02071)	R200268 Bronze	1.359" x 7.970"	B	1660271C92	
		R200210 Bronze	1.374" x 7.970"	A	1648204C92	.015 oversize.
7000	FA91 (02091), FA98 (02098)	R200003 Bronze	1.234" x 7.656"	A	61556R91	
		R200004 Bronze	1.249" x 7.656"	A	134457R91	.015 oversize.
7500	FA101 (02101)	R200052 Bronze	1.359" x 7.968"	A	473695C91	
		R200268 Bronze	1.359" x 7.970"	B	1660271C92	
		R200210 Bronze	1.374" x 7.970"	A	1648204C92	.015 oversize.

Loadstar and School Bus Models 1600, CO1600, F1600, 1700, CO1700, F1700, 1750, CO1750, 1800, CO1800, F1800, 1850, CO1850, F1850, 1890 (Continued)

King Pin Kits (Continued)

Axle Rating Lbs.	Axle Code/Year	Part Number/ Bushing Type	King Pin Size	Type	OEM Reference	Notes
9000	FA105 (02105)	R200142 Bronze	1.434" x 8.500"	B	303136C92	Meritor axle FD900.
		R200154 Nylon				
		R200021 Bronze	1.443" x 8.500"	B		.01 oversize. Meritor axle FD900.
	FA109 (02109)	R200034 Bronze	1.480" x 8.866"	B	408547C91	
		R200054 Bronze	1.484" x 8.866"	A	493092C91	
		R200277 Bronze	1.484" x 8.866"	B	591945C92	Steel clad bronze bushings.
	FA208 (02208)	R200142 Bronze	1.434" x 8.500"	B	303136C92	
		R200154 Nylon				
		R200021 Bronze	1.443" x 8.500"	B		.01 oversize.
	FA309 (02309)	R200058 Nylon	1.609" x 9.16"	A	493095C91	
R200042 Bronze		1.609" x 9.660"	B	399942C93		
R200043 Nylon						
R200057 Bronze		1.61" x 9.16"	A	493095C91		
10500, 10800	FA329 (02329)	R200042 Bronze	1.609" x 9.660"	B	399942C93	
		R200043 Nylon				
		R200055 Bronze	1.609" x 9.660"	A	493094C92	
		R200056 Nylon				
12000	FA139 (02139), FA339 (02339)	R200042 Bronze	1.609" x 9.660"	B	399942C93	
		R200043 Nylon				
		R200055 Bronze	1.609" x 9.660"	A	493094C92	
		R200056 Nylon				
	FA215 (02215), FA218 (02218)	R200167 Nylon	1.794" x 9.120"	B	303139C92	
		R200172 Bronze				
FA228 (02228)	R200199 Bronze	1.794" x 10.410"	B	452344C91	Meritor axle FF921.	
16000	FA136 (02136)	R200168 Nylon	1.999" x 11.040"	B	303140C92	Meritor axle FH901.
		R200170 Bronze				

Tie Rod Ends

Axle Rating Lbs.	Axle Code/Year	Part Number/ Location	Stud Center to Rod End	OEM Reference	Notes
5000	FA68 (02068)	R230007 Curbside	3.88"	463499C91	
		R230006 Roadside		263498C91	
	FA71 (02071)	R230019 Curbside	4.43"	450062C91	
5500	FA72 (02072), FA89 (02089)	R230018 Roadside		450063C91	
		R230007 Curbside	3.88"	463499C91	
		R230006 Roadside		263498C91	
6000	FA73 (02073)	R230019 Curbside	4.43"	450062C91	
		R230018 Roadside		450063C91	
		R230007 Curbside	3.88"	463499C91	
7000	FA91 (02091), FA98 (02098)	R230006 Roadside		263498C91	
		R230007 Curbside	3.88"	463499C91	
		R230006 Roadside		263498C91	
7500	FA101 (02101)	R230019 Curbside	4.43"	450062C91	
		R230018 Roadside		450063C91	
	FA91 (02091), FA98 (02098)	R230007 Curbside	3.88"	463499C91	
		R230006 Roadside		263498C91	
9000	FA105 (02105)	R230061 Curbside	4.875"	110363R92	Meritor axle FD900.
		R230060 Roadside		110362R92	
	FA109 (02109), FA309 (02309)	R230028 Curbside	9.18"	447094C91	Greaseable type.
		R230029 Roadside		447095C91	
	FA208 (02208)	R230061 Curbside	4.875"	110363R92	
		R230060 Roadside		110362R92	
10500, 10800	FA329 (02329)	R230028 Curbside	9.18"	447094C91	Greaseable type.
		R230029 Roadside		447095C91	
		R230028 Curbside	9.18"	447094C91	Greaseable type.
12000	FA139 (02139), FA339 (02339)	R230029 Roadside		447095C91	
		R230028 Curbside	9.18"	447094C91	Greaseable type.
	FA215 (02215), FA218 (02218)	R230061 Curbside	4.875"	110363R92	
		R230060 Roadside		110362R92	
	FA228 (02228)	R230069 Curbside	5.44"	438369C91	Meritor axle FF921.
		R230068 Roadside		438368C91	
16000	FA136 (02136)	R230070 Curbside	5.75"	969056R91	Meritor axle FH901.
		R230071 Roadside		969055R91	

NAVISTAR

M1200 w/FA10 Axle

King Pin Kits

Axle Rating Lbs.	Axle Code/Year	Part Number/ Bushings Type	King Pin Size	Type	OEM Reference	Notes
	1967-68	R200005 Bronze	0.859" x 5.440"	A	62905R93	w/Thrust bearing.

M1200 w/FA28 Axle

King Pin Kits

Axle Rating Lbs.	Axle Code/Year	Part Number/ Bushings Type	King Pin Size	Type	OEM Reference	Notes
	1967-68	R200007 Bronze	1.109" x 6.250"	A	69971R91	

M1400, 1452, 1652, M1600

King Pin Kits

Axle Rating Lbs.	Axle Code/Year	Part Number/ Bushings Type	King Pin Size	Type	OEM Reference	Notes
6000	I60 (02ADA)	R200268 Bronze	1.359" x 7.970"	B	1660271C92	
8000	I80 (02ADB)	R200268 Bronze	1.359" x 7.970"	B	1660271C92	
16000	FA231 (02231)	R200198 Bronze	1.999" x 11.212"	B	474520C91	
		R201312 Easy Steer			597258C91	

Tie Rod Ends

Axle Rating Lbs.	Axle Code/Year	Part Number/ Location	Stud Center to Rod End	OEM Reference	Notes
10000	I100S (02ADC)	R230069 Curbside	5.44"	507838C91	w/126"-225" WB.
		R230068 Roadside		507837C91	
		R230028 Curbside	9.18"	1649637C91	w/226"-280" WB.
		R230029 Roadside		1649638C91	
12000	I120S (02ADD)	R230069 Curbside	5.44"	507838C91	w/126"-225" WB.
		R230068 Roadside		507837C91	
		R230028 Curbside	9.18"	1649637C91	w/226"-280" WB.
		R230029 Roadside		1649638C91	
	SDA12 (02083)	R230061 Curbside	4.875"	110363R92	
		R230060 Roadside		110362R92	

Drag Links

Axle Rating Lbs.	Axle Code/Year	Part Number	Stud Center to Stud Center	OEM Reference	Notes
6000	I60 (02ADA)	R250113	17.47"	FDL1215	
8000	I80 (02ADB)	R250113	17.47"	FDL1215	
16000	FA231 (02231)	R250113	17.47"	1661867C91	

M1500 w/FA10 Axle

King Pin Kits

Axle Rating Lbs.	Axle Code/Year	Part Number/ Bushings Type	King Pin Size	Type	OEM Reference	Notes
	1967-68	R200005 Bronze	0.859" x 5.440"	A	42905R93	w/Thrust bearing.

MA1500 w/FA28 Axle

King Pin Kits

Axle Rating Lbs.	Axle Code/Year	Part Number/ Bushings Type	King Pin Size	Type	OEM Reference	Notes
	1965-68	R200007 Bronze	1.109" x 6.250"	A	69971R91	

MS1210 w/FA12 Axle

King Pin Kits

Axle Rating Lbs.	Axle Code/Year	Part Number/ Bushings Type	King Pin Size	Type	OEM Reference	Notes
	1972-75	R200007 Bronze	1.109" x 6.250"	A	69971R91	

Paystar Models 5010, F5010, 5050, F5050, F5050SF, F5050SF-LW, 5070, F5070, F5070SF, F5070SF-LW, CO5370, COF5370

King Pin Kits

Axle Rating Lbs.	Axle Code/Year	Part Number/ Bushing Type	King Pin Size	Type	OEM Reference	Notes			
12000	FA139 (02139)	R200042 Bronze	1.609" x 9.660"	B	399942C93				
		R200043 Nylon							
	FA339 (02339)	R200042 Bronze	1.609" x 9.660"	B	399942C93		Before 1981.		
		R200043 Nylon							
		R200055 Bronze						A	493094C92
		R200056 Nylon							
	R200278 Composite	1.609" x 9.660"	B	1658934C92					
	R200074 Bronze	1.611" x 9.66"	B	588808C91					
16000	FA136 (02136)	R200168 Nylon	1.999" x 11.040"	B	303140C92	Meritor axle FH901.			
		R200170 Bronze							
	FA231 (02231)	R200198 Bronze	1.999" x 11.212"	B	474520C91	Meritor axle FH901 before 1981. Meritor axle FL931 from 1981. Meritor axle FL941 from Feb. 1981.			
		R201312 Easy Steer			597258C91				
16000, 18000, 20000	I160S (02ADH), I180S (02ADJ), I200S (02ADK)	R200279 Composite	2.046" x 11.00"	B	1685405C91				
18000	FA182 (02182)	R200168 Nylon	1.999" x 11.040"	B	303140C92	Meritor axle FL901.			
		R200170 Bronze							
	FA232 (02232), FA238 (02238)	R200198 Bronze R201312 Easy Steer	1.999" x 11.212"	B	474520C91 597258C91	Meritor axle FL931. Meritor axle FL941 from Feb. 1981.			
20000	FA183 (02183)	R200168 Nylon	1.999" x 11.040"	B	303140C92	Meritor axle FL901.			
		R200170 Bronze							
	FA233 (02233), FA239 (02239)	R200198 Bronze R201312 Easy Steer	1.999" x 11.212"	B	474520C91 597258C91	Meritor axle FL931. Meritor axle FL941 from Feb. 1981.			

Tie Rod Ends

Axle Rating Lbs.	Axle Code/Year	Part Number/ Location	Stud Center to Rod End	OEM Reference	Notes
12000	FA136 (02136)	R230070 Curbside	5.75"	969056R91	Meritor axle FH901.
		R230071 Roadside		969055R91	
	FA136 (02139), FA339 (02339) I120 (02339)	R230028 Curbside	9.18"	507835C91	Greaseable type.
		R230029 Roadside		507836C91	
		R230028 Curbside R230029 Roadside		1649637C91 1649638C91	
16000	FA136 (02136)	R230070 Curbside	5.75"	969056R91	Meritor axle FH901.
		R230071 Roadside		969055R91	
	FA231 (02231)	R230073 Curbside	7.37"	486355C91	Meritor axle FH901 before 1981. Meritor axle FL931 from 1981.
		R230072 Roadside		486354C91	
18000	FA182 (02182)	R230070 Curbside	5.75"	969056R91	Meritor axle FL901.
		R230071 Roadside		969055R91	
	FA194 (02194)	R230066 Roadside	5.75"	491665C91	Meritor axle FDS1807 to 7/27/82. 1.25"-12 RH thread. Meritor axle FDS1807 to 7/27/82. 1.25"-18 RH thread. Meritor axle FDS1807. 1.25"-16 RH thread.
		R230095 Roadside		592872C91	
		R230077 Curbside		491666C91	
	FA232 (02232), FA238 (02238)	R230073 Curbside R230072 Roadside	7.37"	486355C91 486354C91	Meritor axle FL931.
20000	FA183 (02183)	R230070 Curbside	5.75"	969056R91	Meritor axle FL901.
		R230071 Roadside		969055R91	
	FA233 (02233), FA239 (02239)	R230073 Curbside R230072 Roadside	7.37"	486355C91 486354C91	Meritor axle FL931.
21000	FA196 (02196) (02ERA)	R230066 Roadside	5.75"	491665C91	Meritor axle FDS1807 to 7/27/82. 1.25"-12 RH thread. Meritor axle FDS1807 to 7/27/82. 1.25"-18 RH thread. Meritor axle FDS1807. 1.25"-16 RH thread.
		R230095 Roadside		592872C91	
		R230077 Curbside		491666C91	

NAVISTAR

S-Series Heavy Duty Models 2275, F2275, 2276, F2276, 2375, F2375, 2524, F2524, 2554, F2554, 2574, F2574, 2575, F2575, 2624, F2624, 2654, F2654, 2674, F2674, 2675, F2675

King Pin Kits

Axle Rating Lbs.	Axle Code/Year	Part Number/ Bushing Type	King Pin Size	Type	OEM Reference	Notes	
7000	FA97 (02097)	R200003 Bronze	1.234" x 7.656"	A	61556R91		
		R200004 Bronze	1.249" x 7.656"		134457R91	.015 oversize.	
9000	FA309 (02309)	R200058 Nylon	1.609" x 9.16"	A	493095C91		
		R200073 Bronze		B	586809C91	Before August 1981.	
		R200057 Bronze	1.61" x 9.16"	A	493095C91		
		R200074 Bronze	1.611" x 9.66"	B	588808C91	From August 1981. Contains lubrication fittings.	
10800	I90 (02309)	R200073 Bronze	1.609" x 9.16"	B	586809C91	From February 1981.	
		FA329 (02329)	R200042 Bronze	1.609" x 9.660"	B	399942C93	Before August 1981.
		R200043 Nylon					
		R200074 Bronze	1.611" x 9.66"	B	588808C91	From August 1981. Contains lubrication fittings.	
		R200075 Bronze	1.611" x 9.66"	A	493094C93		
	FA341 (02341)	R200055 Bronze	1.609" x 9.660"	A	493094C92	From August 1981.	
		R200056 Nylon					
		R200075 Bronze	1.611" x 9.66"	A	493094C93	Before August 1981.	
I108 (02329)		R200278 Composite	1.609" x 9.660"	B	1658934C92		
	R200074 Bronze	1.611" x 9.66"		588808C91	Contains lubrication fittings.		
12000	EFA12 (02250)	R200267 Composite	1.625" x 9.195"	A	ETN0806355		
		R200269 Bronze					
	FA226 (02226)	R200195 Bronze	1.794" x 10.392"	B	549800C91	Meritor axles FF931, FF941.	
		R201307 Easy Steer			597556C91		
		R201315 Easy Steer			1665531C91		
	FA336 (02336), FA337 (02337)	R200278 Composite	1.609" x 9.660"	B	1658934C92		
		R200074 Bronze	1.611" x 9.66"	B	588808C91	Contains lubrication fittings.	
	FA338 (02338)	R200074 Bronze					
	FA339 (02339)	R200042 Bronze	1.609" x 9.660"	B	399942C93	Before August 1981.	
		R200043 Nylon					
		R200074 Bronze	1.611" x 9.66"	B	588808C91	From August 1981. Contains lubrication fittings.	
		R200075 Bronze	1.611" x 9.66"	A	493094C93		
		R200055 Bronze	1.609" x 9.660"	A	493094C92		
	FA340 (02340)	R200056 Nylon					
		R200278 Composite	1.609" x 9.660"	B	1658934C92		
R200075 Bronze		1.611" x 9.66"	A	493094C93			
FF961 (02ARA)		R201315 Easy Steer	1.794" x 10.392"	B	1665531C91		
13200	FF942 (02227)	R201307 Easy Steer	1.794" x 10.392"	B	597556C91	Meritor axle FF942NX31.	
		R201315 Easy Steer			1665531C91	Meritor axle FF942NX609.	
16000	FA231 (02231)	R200198 Bronze	1.999" x 11.212"	B	474520C91	FH901, FL931 from August 1981. Meritor axle FL941.	
		R201312 Easy Steer			597258C91		
16000, 18000, 20000	I160S (02ADH)	R200279 Composite	2.046" x 11.00"	B	1685405C91		
18000	FA232 (02232)	R200198 Bronze	1.999" x 11.212"	B	474520C91	Meritor axles FL931, FL941.	
		R201312 Easy Steer			597258C91		
20000	FA233 (02233)	R200198 Bronze	1.999" x 11.212"	B	474520C91	Meritor axles FL931, FL941.	
		R201312 Easy Steer			597258C91		
24000	FA248 (02248)	R200055 Bronze	1.609" x 9.660"	A	493094C92	To February 1981.	
		R200056 Nylon					
		R200278 Composite	1.609" x 9.660"	B	1658934C92	From February 1981.	
		R200075 Bronze	1.611" x 9.66"	A	493094C93	From February 1981 w/steel I-beam.	

S-Series Heavy Duty Models 2275, F2275, 2276, F2276, 2375, F2375, 2524, F2524, 2554, F2554, 2574, F2574, 2575, F2575, 2624, F2624, 2654, F2654, 2674, F2674, 2675, F2675 (Continued)

Tie Rod Ends

Axle Rating Lbs.	Axle Code/Year	Part Number/ Location	Stud Center to Rod End	OEM Reference	Notes	
7000	FA97 (02097)	R230007 Curbside	3.88"	263499C91		
		R230006 Roadside		263498C91		
9000	FA309 (02309)	R230028 Curbside	9.18"	507835C91	Greaseable type.	
		R230029 Roadside		507836C91		
	I90 (02309)	R230028 Curbside	9.18"	1649637C91		
		R230029 Roadside		1649638C91		
10800	FA329 (02329), FA341 (02341)	R230028 Curbside	9.18"	507835C91		
		R230029 Roadside		507836C91		
	I108 (02329)	R230028 Curbside	9.18"	1649637C91		
		R230029 Roadside		1649638C91		
12000	E12001 (02AED)	R230139 Curbside	6.00"	817019		
		R230140 Roadside		817018		
	EFA12 (02250)	R230069 Curbside	5.44"	507838C91		
		R230068 Roadside		507837C91		
	FA226 (02226)	R230069 Curbside	5.44"	507838C91		Meritor axle FF931.
		R230068 Roadside		507837C91		
	FA336 (02336)	R230230 Curbside	5.44"	506662C91		For dropped I-beam.
		R230231 Roadside		506661C91		
	FA337 (02337)	R230028 Curbside	9.18"	1649637C91		For straight I-beam.
		R230029 Roadside		1649638C91		
	FA338 (02338)	R230230 Curbside	5.44"	506662C91		Drop-end type.
		R230231 Roadside		506661C91		
FA339 (02339), FA340 (23040)	R230028 Curbside	9.18"	507835C91	Greaseable type.		
	R230029 Roadside		507836C91			
16000	FA231 (02231)	R230073 Curbside	7.37"	486355C91	Meritor axle FH901 to August 1981.	
		R230072 Roadside		486354C91	Meritor axle FL931 from August 1981.	
18000	FA232 (02232)	R230073 Curbside	7.37"	486355C91	Meritor axle FL931.	
		R230072 Roadside		486354C91		
20000	FA233 (02233)	R230073 Curbside	7.37"	486355C91	Meritor axle FL931.	
		R230072 Roadside		486354C91		
24000	FA248 (02248)	R230028 Curbside	9.18"	1649637C91		
		R230029 Roadside		1649638C91		

Drag Links

Axle Rating Lbs.	Axle Code/Year	Part Number	Stud Center to Stud Center	OEM Reference	Notes
		R230051	5.50" Stud center to rod end	486807C91	End only. Use with R250335, R250339, R250340, R250341.
		R230410	6.38" Stud center to rod end	596653C91	Adj. end for set forward axle.
		R250066	16.84"	489023C91	For steering code 05057.1600.
		R250335	17.13"	493652C91	For steering codes 05344, exc. models F2624, F2654, F2674. Includes end 486807C91 (R230051).
		R250340	17.37"	490425C91	For steering codes 05337, 05338, exc. models 2624, F2624, 2654, F2654, 2674, F2674. Includes end 486407C91 (R230051).
		R250051	18.14"	480645C92	For steering codes 05057, 05058, 05171, 05318, 05319, 05332, 05333, 05334, 05335, 05336, 05339, 05342, exc. models F2624, F2625, F2654, F2674.

NAVISTAR

S-Series Heavy Duty Models 2554, 2574, 2654, 2674 (Built 1989 and Later)

King Pin Kits

Axle Rating Lbs.	Axle Code/Year	Part Number/ Bushings Type	King Pin Size	Type	OEM Reference	Notes
12000	FF961 (02ARA)	R201315 Easy Steer	1.794" x 10.392"	B	1665531C91	Uses drawkeys 7-X-1002 and 7-X-1003.
13200	FA227 (02227)	R200195 Bronze	1.794" x 10.392"	B	549800C91	
		R201307 Easy Steer			597556C91	
		R201315 Easy Steer			1665531C91	
	FF942 (02227)	R201307 Easy Steer	1.794" x 10.392"	B	597556C91	
		R201315 Easy Steer			1665531C91	
16000, 18000, 20000	FA231 (02231), FA232 (02232), FA233 (02233), FL941 (02231)	R200198 Bronze	1.999" x 11.212"	B	474520C91	
		R201312 Easy Steer			597258C91	

Tie Rod Ends

Axle Rating Lbs.	Axle Code/Year	Part Number/ Location	Stud Center to Rod End	OEM Reference	Notes	
10000	I100S (02ADC)	R230069 Curbside	5.44"	507838C91	w/126"-225" WB.	
		R230068 Roadside		507837C91		
		R230028 Curbside	9.18"	1649637C91		w/226"-280" WB.
		R230029 Roadside		1649638C91		
12000	I120S (02ADD)	R230028 Curbside	9.18"	1649637C91	w/226"-280" WB.	
		R230029 Roadside		1649638C91		
	I120S (02ADD), FF961 (02ARA)	R230069 Curbside	5.44"	507838C91		w/126"-225" WB.
		R230068 Roadside		507837C91		
	I120S (02ADG)	R230416 Curbside	9.43"	1668410C91		
		R230415 Roadside		1668409C91		
13200	FA227, FF942 (02227)	R230069 Curbside	5.44"	507838C91		
		R230068 Roadside		507837C91		

Drag Links

Axle Rating Lbs.	Axle Code/Year	Part Number	Stud Center to Stud Center	OEM Reference	Notes
		R250112	17.68"	1661437C92	Used on 05PTA, 05PRH (2500).
		R250051	18.14"	480645C92	Used on 05PTB 2004 LH P/S.

S-Series Medium Duty Models 1624, 1654, 1658, 1723, 1724, 1753, 1754, 1758, 1823, 1824, 1853, 1854, 1858, 1924, F1924, 1925, 1954, F1954, 1955, 1958, 2125, F2125, 2155

King Pin Kits

Axle Rating Lbs.	Axle Code/Year	Part Number/ Bushings Type	King Pin Size	Type	OEM Reference	Notes
5000	FA71, I50 (02071)	R200052 Bronze	1.359" x 7.968"	A	473695C91	
		R200268 Bronze		B	1660271C92	
		R200210 Bronze		A	1648204C92	
6000	FA73, I60 (02073)	R200052 Bronze	1.359" x 7.968"	A	473695C91	
		R200268 Bronze		B	1660271C92	
		R200210 Bronze		A	1648204C92	
7500	FA101, I75 (02101)	R200052 Bronze	1.359" x 7.968"	A	473695C91	
		R200268 Bronze		B	1660271C92	
		R200210 Bronze		A	1648204C92	
8000	FA104, I80 (02104)	R200052 Bronze	1.359" x 7.968"	A	473695C91	
		R200268 Bronze		B	1660271C92	
		R200210 Bronze		A	1648204C92	

S-Series Medium Duty Models 1624, 1654, 1658, 1723, 1724, 1753, 1754, 1758, 1823, 1824, 1853, 1854, 1858, 1924, F1924, 1925, 1954, F1954, 1955, 1958, 2125, F2125, 2155 (Continued)

King Pin Kits (Continued)

Axle Rating Lbs.	Axle Code/Year	Part Number/ Bushing Type	King Pin Size	Type	OEM Reference	Notes	
9000	FA109 (02109)	R200034 Bronze	1.480" x 8.866"	B	408547C93		
		R200054 Bronze	1.484" x 8.866"	A	493092C91		
		R200277 Bronze	1.484" x 8.866"	B	594945C92	Steel clad bronze bushings.	
	FA118 (02118)	R200042 Bronze	1.609" x 9.660"	B	399942C93	Before 1981.	
		R200043 Nylon					
		R200055 Bronze	1.609" x 9.660"	A	493094C92		
		R200056 Nylon					
		R200278 Composite	1.609" x 9.660"	B	1658934C92		
	FA309, FA242 (02309)	R200074 Bronze	1.611" x 9.66"	B	588808C91	From 1981. Contains lubrication fittings.	
		R200058 Nylon	1.609" x 9.16"	A	493095C91		
		R200073 Bronze	1.609" x 9.16"	B	586809C91		
		R200057 Bronze	1.61" x 9.16"	A	493095C91		
	I90 (02309)	R200073 Bronze	1.609" x 9.16"	B	586809C91		
		R200278 Composite	1.609" x 9.660"	B	1658934C92		
10800	FA127 (02127)	R200042 Bronze	1.609" x 9.660"	B	399942C93	Before 1981.	
		R200043 Nylon					
		R200055 Bronze	1.609" x 9.660"	A	493094C92		
		R200056 Nylon					
		R200278 Composite	1.609" x 9.660"	B	1658934C92		
	FA329, FA337 (02329)	R200074 Bronze	1.611" x 9.66"	B	588808C91	From 1981. Contains lubrication fittings.	
		R200042 Bronze	1.609" x 9.660"	B	399942C93		
		R200043 Nylon					
		R200278 Composite			1658934C92		
	I108 (02329)	R200075 Bronze	1.611" x 9.66"	A	493094C93		
		R200278 Composite	1.609" x 9.660"	B	1658934C92		
		R200074 Bronze	1.611" x 9.66"	B	588808C91		
	12000	FA139 (02139)	R200042 Bronze	1.609" x 9.660"	B	399942C93	Before 1981.
			R200043 Nylon				
R200055 Bronze			1.609" x 9.660"	A	493094C92		
R200056 Nylon							
R200278 Composite			1.609" x 9.660"	B	1658934C92		
R200074 Bronze			1.611" x 9.66"	B	588808C91	From 1981. Contains lubrication fittings.	
FA223 (02223)		R200195 Bronze	1.794" x 10.392"	B	549800C91		
		R201307 Easy Steer			597556C91		
		R201315 Easy Steer			1665531C91		
FA226 (02226)		R200195 Bronze	1.794" x 10.392"	B	549800C91	Meritor axle FF941.	
		R201307 Easy Steer			597556C91		
		R201315 Easy Steer			1665531C91		
FA227 (02227)		R200195 Bronze	1.794" x 10.392"	B	549800C91	Meritor axle FF942.	
		R201307 Easy Steer			597556C91		
		R201315 Easy Steer			1665531C91		
FA339 (02339)		R200042 Bronze	1.609" x 9.660"	B	399942C93		
		R200043 Nylon					
		R200278 Composite			1658934C92		
		R200075 Bronze	1.611" x 9.66"	A	493094C93		
		R200278 Composite	1.609" x 9.660"	B	1658934C92		
I120 (02339)		R200074 Bronze	1.611" x 9.66"	B	588808C91		
		R200074 Bronze	1.611" x 9.66"	B	588808C91		
13200	FA227 (02227)	R200195 Bronze	1.794" x 10.392"	B	549800C91	Meritor axles FF931, FF942.	
		R201307 Easy Steer			597556C91		
		R201315 Easy Steer			1665531C91		
14000	FA342 (02342)	R200042 Bronze	1.609" x 9.660"	B	399942C93	Before 1981.	
		R200043 Nylon					
		R200278 Composite			1658934C92		
		R200074 Bronze	1.611" x 9.66"	B	588808C91	From 1981. Contains lubrication fittings.	
16000	FA231 (02231)	R200198 Bronze	1.999" x 11.212"	B	474520C91	Meritor axle FL941.	
		R201312 Easy Steer			597258C91		
18000	FA232 (02232)	R200198 Bronze	1.999" x 11.212"	B	474520C91	Meritor axle FL941.	
		R201312 Easy Steer			597258C91		
20000	FA233 (02233)	R200198 Bronze	1.999" x 11.212"	B	474520C91	Meritor axle FL941.	
		R201312 Easy Steer			597258C91		

NAVISTAR

S-Series Medium Duty Models 1624, 1654, 1658, 1723, 1724, 1753, 1754, 1758, 1823, 1824, 1853, 1854, 1858, 1924, F1924, 1925, 1954, F1954, 1955, 1958, 2125, F2125, 2155

(Continued)

Tie Rod Ends

Axle Rating Lbs.	Axle Code/Year	Part Number/ Location	Stud Center to Rod End	OEM Reference	Notes
5000	FA71, I50 (02071)	R230019 Curbside	4.43"	450062C91	
		R230018 Roadside		450063C91	
6000	FA73, I60 (02073)	R230019 Curbside	4.43"	450062C91	
		R230018 Roadside		450063C91	
7500	FA101, I75 (02101)	R230019 Curbside	4.43"	450062C91	
		R230018 Roadside		450063C91	
8000	FA104, I80 (02104)	R230019 Curbside	4.43"	450062C91	
		R230018 Roadside		450063C91	
9000	FA109 (02109)	R230069 Curbside	5.44"	507838C91	From February 1981, greaseable type.
		R230068 Roadside		507837C91	
		R230028 Curbside	9.18"	507835C91	Greaseable type.
		R230029 Roadside		507836C91	
	FA118 (02118), FA309 (02309)	R230028 Curbside	9.18"	507835C91	Greaseable type.
		R230029 Roadside		507836C91	
	I90 (02309)	R230230 Curbside	5.44"	506662C91	Drop-end type.
		R230231 Roadside		506661C91	
		R230028 Curbside	9.18"	1649637C91	For straight I-beam.
		R230029 Roadside		1649638C91	
R230218 Curbside		10.84"	1658947C91	For dropped I-beam.	
R230217 Roadside			1658946C91		
10800	FA127 (02127)	R230028 Curbside	9.18"	507835C91	Greaseable type.
		R230029 Roadside		507836C91	
	FA329 (02329)	R230028 Curbside	9.18"	507835C91	Greaseable type.
		R230029 Roadside		507836C91	
	FA337 (02329)	R230028 Curbside	9.18"	1649637C91	For straight I-beam.
		R230029 Roadside		1649638C91	
	I108 (02329)	R230230 Curbside	5.44"	506662C91	Drop-end type.
		R230231 Roadside		506661C91	
		R230028 Curbside	9.18"	1649637C91	For straight I-beam.
		R230029 Roadside		1649638C91	
R230218 Curbside		10.84"	1658947C91	For dropped I-beam.	
R230217 Roadside		1658946C91			
12000	FA139 (02139)	R230028 Curbside	9.18"	507835C91	Greaseable type.
		R230029 Roadside		507836C91	
	FA226 (02226)	R230069 Curbside	5.44"	507838C91	Meritor axle FF941.
		R230068 Roadside		507837C91	
	FA227 (02227)	R230069 Curbside	5.44"	507838C91	Meritor axle FF941.
		R230068 Roadside		507837C91	
	FA228 (02228)	R230069 Curbside	5.44"	507838C91	Meritor axle FF941.
		R230068 Roadside		507837C91	
	FA339 (02339)	R230028 Curbside	9.18"	507835C91	Greaseable type.
		R230029 Roadside		507836C91	
	I120 (02337) (02339)	R230230 Curbside	5.44"	506662C91	Drop-end type.
		R230231 Roadside		506661C91	
		R230028 Curbside	9.18"	1649637C91	For straight I-beam.
		R230029 Roadside		1649638C91	
		R230218 Curbside	10.84"	1658947C91	For dropped I-beam.
	R230217 Roadside		1658946C91		
SDA12 (02EYB)	R230061 Curbside	4.875"	110363R92	Front driving axle (02032, 02083).	
	R230060 Roadside		110362R92		
13200	FA227 (02227)	R230069 Curbside	5.44"	507838C91	Meritor axle FF942.
		R230068 Roadside		507837C91	
	I132 (02342)	R230028 Curbside	9.18"	1649637C91	For straight I-beam.
R230029 Roadside			1649638C91		
13500	I132 (02342)	R230218 Curbside	10.84"	1658947C91	For dropped I-beam.
		R230217 Roadside		1658946C91	
14000	FA342 (02342)	R230028 Curbside	9.18"	507835C91	Greaseable type.
		R230029 Roadside		507836C91	

S-Series Medium Duty Models 1624, 1654, 1658, 1723, 1724, 1753, 1754, 1758, 1823, 1824, 1853, 1854, 1858, 1924, F1924, 1925, 1954, F1954, 1955, 1958, 2125, F2125, 2155 (Continued)

Tie Rod Ends (Continued)

Axle Rating Lbs.	Axle Code/Year	Part Number/ Location	Stud Center to Rod End	OEM Reference	Notes
16000	FA231 (02231)	R230073 Curbside	7.37"	468355C91	Meritor axle FL941.
		R230072 Roadside		486354C91	
18000	FA231 (02231)	R230073 Curbside	7.37"	486355C91	Meritor axle FL941.
		R230072 Roadside		486354C91	
20000	FA231 (02231)	R230073 Curbside	7.37"	486355C91	Meritor axle FL941.
		R230072 Roadside		486354C91	

Drag Links

Axle Rating Lbs.	Axle Code/Year	Part Number	Stud Center to Stud Center	OEM Reference	Notes
5000	FA71 (02071)	R250066	16.84"	489023C91	For steering codes 05165, 05345.
		I50 (02071)			
6000	FA73 (02073)	R250066	16.84"	489023C91	For steering codes 05165, 05345.
		I60 (02073)			
7500	FA101 (02101)	R250066	16.84"	489023C91	For steering codes 05057, 05345.
		I75 (02101)			
8000	FA104, I80 (02104)	R250066	16.84"	489023C91	
9000	FA109 (02109), FA118 (02118), FA309 (02309)	R250051	18.14"	480645C92	For steering codes 05057, 05333, 05342.
		I90 (02309)	R250051	18.14"	480645C92
10800	FA127 (02127)	R250051	18.14"	480645C92	For steering codes 05335 without flotation tires.
	FA329 (02329)	R250051	18.14"	480645C92	For steering codes 05058, 05332, 05335 without flotation tires (exc. 1853FC model from 1981).
	I108 (02329)	R250051	18.14"	480645C92	Exc. 1853FC model from 1981.
12000	FA139 (02139)	R250051	18.14"	480645C92	For steering code 05335 without flotation tires before 1981 or for 2100 model from 1981.
	FA226 (02226)	R250051	18.14"	480645C92	Meritor axles FF941, FF942. For code 05335.0004.
	FA339 (02339)	R250051	18.14"	480645C92	For steering code 05335 without flotation tires (exc. 1853FC model from 1981).
	I120 (02329)	R250051	18.14"	480645C92	For models without flotation tires from 1981 exc. 1853FC model.
14000	FA342 (02342)	R230410	6.38" Stud center to rod end	596653C91	Drag link adj. end for R250335. For codes 05298, 05337.
		R250335	17.13"	486979C92	

NAVISTAR

Transtar 4070B, CO4070B, F4070B, COF4070B, 4170, F4170

King Pin Kits

Axle Rating Lbs.	Axle Code/Year	Part Number/ Bushing Type	King Pin Size	Type	OEM Reference	Notes	
10800	FA329 (02329)	R200042 Bronze	1.609" x 9.660"	B	399942C93		
		R200043 Nylon					
		R200055 Bronze	1.609" x 9.660"	A	493094C92		
		R200056 Nylon					
	FA341 (02341)	R200055 Bronze	1.609" x 9.660"	A	493094C92	Steel I-beam axle.	
		R200056 Nylon					
R200075 Bronze		1.611" x 9.66"	A	493094C93	Aluminum I-beam axle from 12/6/76.		
12000	FA139 (02139)	R200042 Bronze	1.609" x 9.660"	B	399942C93		
		R200043 Nylon					
	FA228 (02228)	R200199 Bronze	1.794" x 10.410"	B	452344C91		
	FA339 (02339)	R200042 Bronze	1.609" x 9.660"	B	399942C93		
		R200043 Nylon					
		R200055 Bronze	1.609" x 9.660"	A	493094C92		
		R200056 Nylon					
	FA340 (02340)	R200055 Bronze	1.609" x 9.660"	A	493094C92		Steel I-beam axle.
		R200056 Nylon					
		R200075 Bronze	1.611" x 9.66"		493094C93		Aluminum I-beam axle from 12/6/76.
16000	FA136 (02136)	R200168 Nylon	1.999" x 11.040"	B	303140C92	Meritor axle FH901.	
		R200170 Bronze					
	FA231 (02231)	R200198 Bronze	1.999" x 11.212"	B	474520C91		
		R201312 Easy Steer			597258C91		

Tie Rod Ends

Axle Rating Lbs.	Axle Code/Year	Part Number/ Location	Stud Center to Rod End	OEM Reference	Notes
10800	FA329 (02329), FA341 (02341)	R230028 Curbside	9.18"	507835C91	Greaseable type.
		R230029 Roadside		507836C91	
12000	FA139 (02139), FA339 (02339), FA340 (02340)	R230028 Curbside	9.18"	507835C91	Greaseable type.
		R230029 Roadside		507836C91	
	FA228 (02228)	R230069 Curbside	5.44"	438369C91	
16000	FA136 (02136)	R230070 Curbside	5.75"	969056R91	Meritor axle FH901.
		R230071 Roadside		969055R91	
	FA231 (02231)	R230073 Curbside	7.37"	486355C91	Meritor axle FH901.
		R230072 Roadside		486354C91	

Drag Links

Axle Rating Lbs.	Axle Code/Year	Part Number	Stud Center to Stud Center	OEM Reference	Notes
10800, 12000, 16000	All	R250085	17.88"	453831C91	For steering codes 05331, 05293. Includes replaceable end.
16000	All	R230073	7.37" Stud center to rod end	486355C91	End only. Use with R250085.

Transtar CO4070A, COF4070A

King Pin Kits

Axle Rating Lbs.	Axle Code/Year	Part Number/ Bushing Type	King Pin Size	Type	OEM Reference	Notes
12000	FA112 (02112)	R200156 Nylon	1.607" x 8.740"	B	303138C92	Meritor axle FE970. Center point steering.
		R200157 Bronze				
	FA119 (02119)	R200032 Bronze	1.609" x 9.610"	B	306921C93	
		R200033 Nylon				
	FA139 (02139)	R200042 Bronze	1.609" x 9.660"	B	399942C93	
		R200043 Nylon				
16000	FA215 (02215)	R200007 Bronze	1.109" x 6.250"	A	303139C91	
		FA136 (02136)	R200168 Nylon	1.999" x 11.040"	B	303140C92
	R200170 Bronze					
18000	FA182 (02182)	R200168 Nylon	1.999" x 11.040"	B	303140C92	Meritor axle FL901.
		R200170 Bronze				

Transtar CO4070A, COF4070A (Continued)

Tie Rod Ends

Axle Rating Lbs.	Axle Code/Year	Part Number/ Location	Stud Center to Rod End	OEM Reference	Notes
12000	FA119 (02119)	R230028 Curbside	9.18"	377635C91	Greaseable type from 1970.
		R230029 Roadside		377636C91	
	FA139 (02139)	R230028 Curbside	9.18"	507835C91	Greaseable type.
		R230029 Roadside		507836C91	
	FA215 (02215)	R230061 Curbside	4.875"	110363R92	
		R230060 Roadside		110362R92	
16000	FA136 (02136)	R230070 Curbside	5.75"	969056R91	Meritor axle FH901.
		R230071 Roadside		969055R91	
18000	FA182 (02182)	R230070 Curbside	5.75"	969056R91	Meritor axle FL901.
		R230071 Roadside		969055R91	

Transtar Models 4200, F4200, 4300, F4300

King Pin Kits

Axle Rating Lbs.	Axle Code/Year	Part Number/ Bushing Type	King Pin Size	Type	OEM Reference	Notes	
10800	FA329 (02329)	R200042 Bronze	1.609" x 9.660"	B	399942C93		
		R200043 Nylon					
		R200055 Bronze		A			493094C92
	R200056 Nylon						
	FA341 (02341)	R200055 Bronze	1.609" x 9.660"	A	493094C92		
R200056 Nylon							
12000	FA112 (02112)	R200156 Nylon	1.607" x 8.740"	B	303138C92	Meritor axle FE970. Center point steering.	
		R200157 Bronze					
	FA139 (02139), FA339 (02339)	R200042 Bronze	1.609" x 9.660"	B	399942C93		
		R200043 Nylon					
		R200055 Bronze		A			493094C92
		R200056 Nylon					
	FA218 (02218)	R200167 Nylon	1.794" x 9.120"	B	303139C92		
		R200172 Bronze					
	FA223 (02223)	R200195 Bronze	1.794" x 10.392"	B	549800C91		Meritor axle FF941.
		R201307 Easy Steer			597556C91		
	FA224 (02224)	R201306 Bronze	1.794" x 11.250"	F			Meritor axle FF931A.
		R201308 Easy Steer					
	FA226 (02226)	R200195 Bronze	1.794" x 10.392"	B	549800C91		Meritor axle FF931.
		R201307 Easy Steer			597556C91		
	FA228 (02228)	R200199 Bronze	1.794" x 10.410"	B	452344C91		Meritor axle FF921.
FA234 (02234)	R201300 Bronze	1.607" x 9.375"	B	577684C91	Meritor axle FF971. Center point steering.		
FA340 (02340)	R200055 Bronze	1.609" x 9.660"	A	493094C92	Steel axle.		
	R200056 Nylon						
13200	FA227 (02227)	R200195 Bronze	1.794" x 10.392"	B	549800C91	Meritor axle FF932.	
		R201307 Easy Steer			597556C91		
16000	FA136 (02136)	R200168 Nylon	1.999" x 11.040"	B	303140C92	Meritor axle FH901.	
		R200170 Bronze					
	FA231 (02231)	R200198 Bronze	1.999" x 11.212"	B	474520C91	Meritor axle FH901 before 1981. Meritor axle FL931 from Aug. 1981.	
R201312 Easy Steer	597258C91						

NAVISTAR

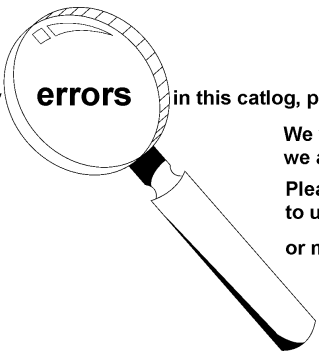
Transtar Models 4200, F4200, 4300, F4300 (Continued)

Tie Rod Ends

Axle Rating Lbs.	Axle Code/Year	Part Number/ Location	Stud Center to Rod End	OEM Reference	Notes
10800	FA329 (02329), FA341 (02341)	R230028 Curbside	9.18"	507835C91	Greaseable type.
		R230029 Roadside		507836C91	
12000	FA112 (02112)	R230075 Curbside	10.50"	894050R93	Meritor axle FE970.
		R230074 Roadside		894049R93	
	FA139 (02139), FA339 (02339), FA340 (02340)	R230028 Curbside	9.18"	507835C91	Greaseable type.
		R230029 Roadside		507836C91	
	FA218 (02218)	R230061 Curbside	4.875"	110363R92	
		R230060 Roadside		11036R92	
	FA223 (02223)	R230069 Curbside	5.44"	507838C91	Meritor axle FF941.
		R230068 Roadside		507837C91	
	FA224 (02224)	R230069 Curbside	5.44"	507838C91	Meritor axle FF931A.
		R230068 Roadside		507837C91	
	FA226 (02226)	R230069 Curbside	5.44"	507838C91	Meritor axle FF931.
		R230068 Roadside		507837C91	
	FA228 (02228)	R230069 Curbside	5.44"	438369C91	Meritor axle FF921.
		R230068 Roadside		438368C91	
FA234 (02234)	R230075 Curbside	10.50"	577683C93	Meritor axle FF971.	
	R230074 Roadside		577682C91		
13200	FA227 (02227)	R230069 Curbside	5.44"	507838C91	Meritor axle FF932.
		R230068 Roadside		507837C91	
16000	FA136 (02136)	R230070 Curbside	5.75"	969056R91	Meritor axle FH901.
		R230071 Roadside		969055R91	
	FA231 (02231)	R230073 Curbside	7.37"	486355C91	Meritor axle FH901 before 1981. Meritor axle FL931 from 1981.
		R230072 Roadside		486354C91	

Drag Links

Axle Rating Lbs.	Axle Code/Year	Part Number	Stud Center to Stud Center	OEM Reference	Notes
10800, 16000	All	R230073	7.37" Stud center to rod end	486355C91	End only. Use with R250085.
		R250085	17.88"	453831C91	For steering codes 05331, 05293. Includes replaceable end.



If you detect any **errors** in this catalog, please let us know.

We want the information to be as accurate as possible; we appreciate your help in making it so.

Please e-mail any comments/suggestions/corrections to us at: catalogfeedback@arvinmeritor.com

or mail to: ArvinMeritor
attn: Catalog Dept.
7975 Dixie Highway
Florence, KY 41042

INDEX

Model	Page No.
252, 282, 289, 300, 348, 352, 352H, 353, 359	2-138

Model	Page No.

PETERBILT

252, 282, 289, 300, 348, 352, 352H, 353, 359

King Pin Kits

Axle Rating Lbs.	Axle Code/Year	Part Number/ Bushings Type	King Pin Size	Type	OEM Reference	Notes	
12000	(FE900)	R200123 Nylon	9.750"	D	KIT 123	Tapered pin.	
		R200144 Bronze			KIT 144		
	(FE970)	R200156 Nylon	1.607" x 8.740"	B	KIT 156		
		R200157 Bronze			KIT 157		
	(FF901)	R200167 Nylon	1.794" x 9.120"	B	KIT 167		
		R200172 Bronze			KIT 172		
	(FF921)	R200193 Bronze	1.794" x 10.410"	B	KIT 193		Contains washers.
		R200199 Bronze			KIT 199		
(FF931)	R200195 Bronze	1.794" x 10.392"	B	KIT 195			
	R201307 Easy Steer			KIT 1307			
(FF971)	R201300 Bronze	1.607" x 9.375"	B	KIT 1300			
16000	(FH901)	R200168 Nylon	1.999" x 11.040"	B	KIT 168		
		R200170 Bronze			KIT 170		
	(FL931)	R200198 Bronze	1.999" x 11.212"	B	KIT 199		
		R201312 Easy Steer			KIT 1312		
18000	(FL901)	R200168 Nylon	1.999" x 11.040"	B	KIT 168		
		R200170 Bronze			KIT 170		

Tie Rod Ends

Axle Rating Lbs.	Axle Code/Year	Part Number/ Location	Stud Center to Rod End	OEM Reference	Notes	
12000	(FE900)	R230061 Curbside	4.875"	A3144R226		
		R230060 Roadside		A3144Q225		
	(FE970)	R230061 Curbside	4.875"	A3144R226		
		R230060 Roadside		A3144Q225		
		R230075 Curbside		10.50"		A3144N534
		R230074 Roadside				A3144M533
	(FF901)	R230061 Curbside	4.875"	A3144R226		
		R230060 Roadside		A3144Q225		
		R230066 Curbside	5.75"	A3144C237		Anti-tilt seal type.
		R230067 Roadside	5.75"	A3144D238		
		R230070 Curbside		A3144J296		Conventional seal type.
		R230071 Roadside	A3144K297			
	(FF921)	R230069 Curbside	5.44"	A3144D524		Greaseable type.
		R230068 Roadside		A3144E525		
	(FF931)	R230069 Curbside	5.44"	A3144D524		
		R230068 Roadside		A3144E525		
(FF971)	R230075 Curbside	10.50"	A3144N534	Center point steering.		
	R230074 Roadside		A3144M533			
16000	(FH901)	R230070 Curbside	5.75"	A3144J296		
		R230071 Roadside		A3144K297		
	(FL931)	R230073 Curbside	7.37"	A3144F448		
R230072 Roadside		A3144G449				
18000	(FL901)	R230070 Curbside	5.75"	A3144J296		
		R230071 Roadside		A3144K297		

Drag Links

Axle Rating Lbs.	Axle Code/Year	Part Number	Stud Center to Stud Center	OEM Reference	Notes
All	All	R250067	14.21"	10-02163	L24VU7050B12, DS1179, Rpl/10-2131.
		R250068	31.69"	10-02260	L24VU7051B12, DS1180, Rpl/10-2132.

INDEX

Model	Page No.	Model	Page No.
AC Series	2-140	WG Series	2-141
ACL Series	2-140	WHR, WIL, WIA, Series	2-141
AERO Series	2-140	XPEDITOR	2-142
Autohauler Tractors	2-140		

VOLVO

AC Series

King Pin Kits

Axle Rating Lbs.	Axle Code/Year	Part Number/ Bushings Type	King Pin Size	Type	OEM Reference	Notes
12000	FF961	R201315 Easy Steer	1.794" x 10.392"	B	KIT 1315	
16000, 18000, 20000	FL941	R200198 Bronze	1.999" x 11.212"	B	KIT 198	
		R201312 Easy Steer			KIT 1312	

Tie Rod Ends

Axle Rating Lbs.	Axle Code/Year	Part Number/ Location	Stud Center to Rod End	OEM Reference	Notes
12000	FF961	R230069 Curbside	5.44"	37024-0005	
		R230068 Roadside		37024-0004	
16000, 18000, 20000	FL941	R230070 Curbside	5.75"	A3144J296	
		R230071 Roadside		A3144K297	
		R230073 Curbside	7.37"	37024-5002	
		R230072 Roadside	37024-5001		
		R230104 Curbside	12.69"	A3144D550	
		R230105 Roadside		A3144C549	

ACL Series

King Pin Kits

Axle Rating Lbs.	Axle Code/Year	Part Number/ Bushings Type	King Pin Size	Type	OEM Reference	Notes
12000	FF961	R201315 Easy Steer	1.794" x 10.392"	B	KIT 1315	
14600	FG941	R201309 Easy Steer	1.794" x 10.392"	B	KIT 1309	
		R201310 Bronze			KIT 1310	
16000, 18000, 20000	FL941	R200198 Bronze	1.999" x 11.212"	B	KIT 198	
		R201312 Easy Steer			KIT 1312	

Tie Rod Ends

Axle Rating Lbs.	Axle Code/Year	Part Number/ Location	Stud Center to Rod End	OEM Reference	Notes
12000, 14600	FF961, FG941	R230069 Curbside	5.44"	37024-0005	
		R230068 Roadside		37024-0004	
16000, 18000, 20000	FL941	R230070 Curbside	5.75"	A3144J296	
		R230071 Roadside		A3144K297	
		R230073 Curbside	7.37"	37024-5002	
		R230072 Roadside	37024-5001		
		R230104 Curbside	12.69"	A3144D550	
		R230105 Roadside		A3144C549	

AERO Series

King Pin Kits

Axle Rating Lbs.	Axle Code/Year	Part Number/ Bushings Type	King Pin Size	Type	OEM Reference	Notes
12000	EFA-12F4	R200267 Composite	1.625" x 9.195"	A	806355	
		R200269 Bronze				
	FF943	R200195 Bronze	1.794" x 10.392"	B	KIT 195	
		R201307 Easy Steer			KIT 1307	
14600	FG943	R201315 Easy Steer	1.794" x 10.392"	B	KIT 1315	
		R201309 Easy Steer			KIT 1309	
		R201310 Bronze			KIT 1310	

Tie Rod Ends

Axle Rating Lbs.	Axle Code/Year	Part Number/ Location	Stud Center to Rod End	OEM Reference	Notes
12000	EFA-12F4	R230069 Curbside	5.44"	1006148/37024-0004	
		R230068 Roadside		1006149/37024-0005	
		R230420 Curbside	8.12"	1009010	
		R230421 Roadside	1009009		
12000, 14600	FF943, FF961, FG943	R230069 Curbside	5.44"	1006148/37024-0004	
		R230068 Roadside		1006149/37024-0005	

Axle Rating Lbs.	Axle Code/Year	Part Number/ Bushing Type	King Pin Size	Type	OEM Reference	Notes
12000	EFA-12F4, E-12001	R200267 Composite	1.625" x 9.195"	A	806355	
		R200269 Bronze				
	FF943	R200195 Bronze	1.794" x 10.392"	B	KIT 195	
		R201307 Easy Steer			KIT 1307	
14600	FG943	R201315 Easy Steer	1.794" x 10.392"	B	KIT 1315	
		R201309 Easy Steer			KIT 1309	
		R201310 Bronze			KIT 1310	

Tie Rod Ends

Axle Rating Lbs.	Axle Code/Year	Part Number/ Location	Stud Center to Rod End	OEM Reference	Notes
12000	EFA-12F4	R230069 Curbside	5.44"	1006148	
		R230068 Roadside		1006149	
		R230420 Curbside	8.12"	1009010	
		R230421 Roadside		1009009	
12000, 14600	FF943, FF961, FG943	R230069 Curbside	5.44"	37024-0004	
		R230068 Roadside		37024-0005	

WG Series

King Pin Kits

Axle Rating Lbs.	Axle Code/Year	Part Number/ Bushing Type	King Pin Size	Type	OEM Reference	Notes
12000	EFA-12F4	R200267 Composite	1.625" x 9.195"	A	806355	
		R200269 Bronze				
	FF943	R200195 Bronze	1.794" x 10.392"	B	KIT 195	
		R201307 Easy Steer			KIT 1307	
12000, 14600	FG943	R201315 Easy Steer	1.794" x 10.392"	B	KIT 1315	
		R201309 Easy Steer			KIT 1309	
		R201310 Bronze			KIT 1310	

Tie Rod Ends

Axle Rating Lbs.	Axle Code/Year	Part Number/ Location	Stud Center to Rod End	OEM Reference	Notes
12000	EFA-12F4	R230069 Curbside	5.44"	1006148/37024-0004	
		R230068 Roadside		1006149/37024-0005	
		R230420 Curbside	8.12"	1009010	
		R230421 Roadside		1009009	
12000, 14600	FF961, FG943	R230069 Curbside	5.44"	1006148/37024-0004	
		R230068 Roadside		1006149/37024-0005	
16000, 18000, 20000	FL941, FL943	R230070 Curbside	5.75"	A3144J296	
		R230071 Roadside		A3144K297	
		R230073 Curbside	7.37"	37024-5002	
		R230072 Roadside		37024-5001	
		R230104 Curbside	12.69"	A3144D550	
		R230105 Roadside		A3144C549	

WHR, WIL, WIA, Series

King Pin Kits

Axle Rating Lbs.	Axle Code/Year	Part Number/ Bushing Type	King Pin Size	Type	OEM Reference	Notes
12000	EFA-12F4	R200267 Composite	1.625" x 9.195"	A	806355	
		R200269 Bronze				
	FF943	R200195 Bronze	1.794" x 10.392"	B	KIT 195	
		R201307 Easy Steer			KIT 1307	
14600	FG943	R201315 Easy Steer	1.794" x 10.392"	B	KIT 1315	
		R201309 Easy Steer			KIT 1309	
		R201310 Bronze			KIT 1310	

VOLVO

WHR, WIL, WIA, Series (Continued)

Tie Rod Ends

Axle Rating Lbs.	Axle Code/Year	Part Number/ Location	Stud Center to Rod End	OEM Reference	Notes
12000	EFA-12F4	R230069 Curbside	5.44"	1006148/37024-0004	
		R230068 Roadside		1006149/37024-0005	
		R230420 Curbside	8.12"	1009010	
		R230421 Roadside		1009009	
12000, 14600	FF943, FF961, FG943	R230069 Curbside	5.44"	1006148/37024-0004	
		R230068 Roadside		1006149/37024-0005	

XPEDITOR

King Pin Kits

Axle Rating Lbs.	Axle Code/Year	Part Number/ Bushing Type	King Pin Size	Type	OEM Reference	Notes
12000	FF943	R200195 Bronze	1.794" x 10.392"	B	KIT 195	
		R201307 Easy Steer			KIT 1307	
14600	FG943	R201309 Easy Steer	1.794" x 10.392"	B	KIT 1309	
		R201310 Bronze			KIT 1310	
16000, 18000, 20000	FL941, FL943	R200198 Bronze	1.999" x 11.212"	B	KIT 198	
		R201312 Easy Steer			KIT 1312	

Tie Rod Ends

Axle Rating Lbs.	Axle Code/Year	Part Number/ Location	Stud Center to Rod End	OEM Reference	Notes
12000, 14600	FF943, FG943	R230069 Curbside	5.44"	1006148/37024-0004	
		R230068 Roadside		1006149/37024-0005	
16000, 18000, 20000	FL941, FL943	R230070 Curbside	5.75"	A3144J296	
		R230071 Roadside		A3144K297	
		R230073 Curbside	7.37"	37024-5002	
		R230072 Roadside		37024-5001	
		R230104 Curbside	12.69"	A3144D550	
		R230105 Roadside		A3144C549	

Drag Links

Axle Rating Lbs.	Axle Code/Year	Part Number	Stud Center to Stud Center	OEM Reference	Notes
All		R230056	5.75" Stud center to rod end	02-7092963	Drag link end. Use w/R250093 - RH thread.
		R250093	18.38"	38905-0001	



MERITOR™

an *ArvinMeritor* brand

INDEX

Model	Page No.
All	2-144

Model	Page No.

WESTERN STAR

All

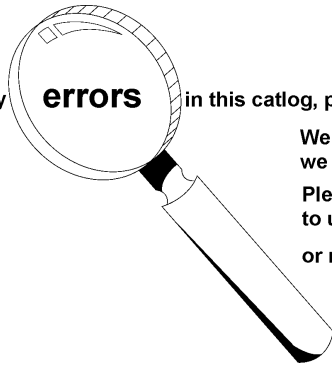
King Pin Kits

Axle Rating Lbs.	Axle Code/Year	Part Number/ Bushing Type	King Pin Size	Type	OEM Reference	Notes
12000	EFA-12F4	R200267 Composite	1.625" x 9.195"	A	806355	
		R200269 Bronze				
14600	FG941	R201315 Easy Steer	1.794" x 10.392"	B	KIT 1315	
		R201309 Easy Steer				
16000, 18000, 20000	FL941	R201310 Bronze	1.999" x 11.212"	B	KIT 1309	
		R200198 Bronze				
		R201312 Easy Steer			KIT 1310	
					KIT 198	
					KIT 1312	

Tie Rod Ends

Axle Rating Lbs.	Axle Code/Year	Part Number/ Location	Stud Center to Rod End	OEM Reference	Notes
12000	EFA-12F4	R230069 Curbside	5.44"	1006148	
		R230068 Roadside		1006149	
		R230420 Curbside	8.12"	1009010	
		R230421 Roadside		1009009	
14600	FF961, FG941	R230069 Curbside	5.44"	1006148	
		R230068 Roadside		1006149	
16000, 18000, 20000	FL941	R230070 Curbside	5.75"	A3144J296	
		R230071 Roadside		A3144K297	
		R230073 Curbside	7.37"	A3144F448	
		R230072 Roadside		A3144G449	
		R230104 Curbside	12.69"	A3144D550	
		R230105 Roadside		A3144C549	

If you detect any **errors** in this catalog, please let us know.



We want the information to be as accurate as possible; we appreciate your help in making it so.

Please e-mail any comments/suggestions/corrections to us at: catalogfeedback@arvinmeritor.com

or mail to: ArvinMeritor
attn: Catalog Dept.
7975 Dixie Highway
Florence, KY 41042

INDEX

Model	Page No.
All	2-146

Model	Page No.

WESTPORT

All

King Pin Kits

Axle Rating Lbs.	Axle Code/Year	Part Number/ Bushing Type	King Pin Size	Type	OEM Reference	Notes
13200, 14600	F3W-1200, F5W-1200, F6W-1200	R200067 Bronze	1.810" x 10.531"	A	217175	
		R200068 Bronze			37090-5005	
		R200017 Bronze			216446	
16000	F3W-1600, F6W-1600	R200068 Bronze	1.810" x 10.531"	A	37090-4405	Western Star (WS-16 Axle)

Tie Rod Ends

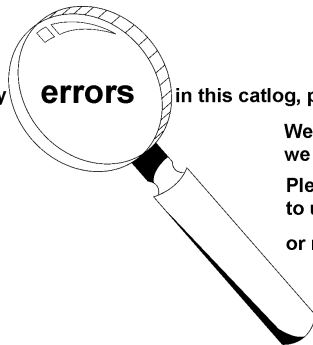
Axle Rating Lbs.	Axle Code/Year	Part Number/ Location	Stud Center to Rod End	OEM Reference	Notes
9000	F3W-1200, F5W-0900, F5W-1200, F6W-1200	R230069 Curbside	5.44"	37025-0005	
		R230068 Roadside		37025-0004	
13200, 14600, 16000	F3W-1400, F5W-1400, F6W-1400, WS-16	R230071 Roadside	5.75"	143640-004	Western Star (WS-16 Axle) 839307B
		R230070 Curbside		143640-005	Western Star (WS-16 Axle) 839308B



MERITOR™

an *ArvinMeritor* brand

If you detect any **errors** in this catalog, please let us know.



We want the information to be as accurate as possible; we appreciate your help in making it so.

Please e-mail any comments/suggestions/corrections to us at: catalogfeedback@arvinmeritor.com

or mail to: ArvinMeritor
attn: Catalog Dept.
7975 Dixie Highway
Florence, KY 41042

INDEX

Model	Page No.	Model	Page No.
FDS1805FWD, FDS1807FWD	2-148	WFC-12042T, WFC-12064, WFC-12064T	2-149
RB2-42T, RC2-42T, RX2-42T, RB2-64T, RC2-64T, 4842, 4864, 4942, 4964	2-148	WFP-6342T, WFT-6342T, WFP-6364, WFP-6364T, WFT-6364, WFP-6364T, WFP-7564T, WFT-7564T, WFT-8164T, WFT-9664T	2-149
RBW-42T, RCS-42T, WSH-42T, RBW-64T, RCW-64T, WSH-64T	2-148	White Axles	2-150

WHITE

FDS1805FWD, FDS1807FWD

Tie Rod Ends

Axle Rating Lbs.	Axle Code/Year	Part Number/ Location	Stud Center to Rod End	OEM Reference	Notes
18000		R230066 Roadside	5.75"	A3144C237	Front drive axle. 1.25"-12 RH thread.
		R230077 Curbside		A1-3144F370	Front drive axle. 1.25"-16 RH thread.
		R230095 Roadside		A3144E551	Front drive axle. 1.25"-18 RH thread.

RB2-42T, RC2-42T, RX2-42T, RB2-64T, RC2-64T, 4842, 4864, 4942, 4964

King Pin Kits

Axle Rating Lbs.	Axle Code/Year	Part Number/ Bushing Type	King Pin Size	Type	OEM Reference	Notes
12000	F6W-1200 FF933	R200068 Bronze	1.810" x 10.531"	A	37090-5005	Thrust bearing O.D. is 3.365".
		R200195 Bronze	1.794" x 10.392"	B	KIT 195	
		R201307 Easy Steer			KIT 1307	
14000	F6W-1400	R200067 Bronze	1.810" x 10.531"	A	217175	
20000	FL931	R200198 Bronze	1.999" x 11.212"	B	KIT 198	
		R201312 Easy Steer			KIT 1312	

Tie Rod Ends

Axle Rating Lbs.	Axle Code/Year	Part Number/ Location	Stud Center to Rod End	OEM Reference	Notes
12000	F6W-1200, FF933	R230069 Curbside	5.44"	37024-0005	
		R230068 Roadside		37024-0004	
14000	F6W-1400	R230070 Curbside	5.75"	839307B	
		R230071 Roadside		839308B	
20000	FL931	R230070 Curbside	5.75"	839307B	
		R230071 Roadside		839308B	
		R230073 Curbside	7.37"	37024-5002	
		R230072 Roadside		37024-5001	
		R230104 Curbside	12.69"	A3144D550	
		R230105 Roadside		A3144C549	

Drag Links

Axle Rating Lbs.	Axle Code/Year	Part Number	Stud Center to Stud Center	OEM Reference	Notes
		R230040	5.75" Stud center to rod end	02-7092962	Drag link end. Use w/R250093 - LH thread.
		R230056	5.75" Stud center to rod end	02-7092963	Drag link end. Use w/R250093 - RH thread.
		R250093	18.38"	38905-0001	

RBW-42T, RCS-42T, WSH-42T, RBW-64T, RCW-64T, WSH-64T

King Pin Kits

Axle Rating Lbs.	Axle Code/Year	Part Number/ Bushing Type	King Pin Size	Type	OEM Reference	Notes			
12000	F3W-1200 FF931	R200068 Bronze	1.810" x 10.531"	A	37090-5005				
		R200195 Bronze					1.794" x 10.392"	B	KIT 195
		R201307 Easy Steer							KIT 1307
	FF933	R200195 Bronze	1.794" x 10.392"	B	KIT 195				
		R201307 Easy Steer			KIT 1307				
14000	F3W-1400	R200067 Bronze	1.810" x 10.531"	A	217175				

Tie Rod Ends

Axle Rating Lbs.	Axle Code/Year	Part Number/ Location	Stud Center to Rod End	OEM Reference	Notes
12000	F3W-1200, FF931	R230069 Curbside	5.44"	37024-0005	
		R230068 Roadside		37024-0004	
	FF933	R230069 Curbside	5.44"	37024-0005	
		R230068 Roadside		37024-0004	
14000	F3W-1400	R230070 Curbside	5.75"	839307B	
		R230071 Roadside		839308B	

RBW-42T, RCS-42T, WSH-42T, RBW-64T, RCW-64T, WSH-64T (Continued)

Drag Links

Axle Rating Lbs.	Axle Code/Year	Part Number	Stud Center to Stud Center	OEM Reference	Notes
		R230040	5.75" Stud center to rod end	02-7092962	Drag link end. Use w/R250093 - LH thread.
		R230056	5.75" Stud center to rod end	02-7092963	Drag link end. Use w/R250093 - RH thread.
		R250093	18.38"	38905-0001	

WFC-12042T, WFC-12064, WFC-12064T

King Pin Kits

Axle Rating Lbs.	Axle Code/Year	Part Number/ Bushing Type	King Pin Size	Type	OEM Reference	Notes
12000	(FE900)	R200123 Nylon	9.750"	D	KIT 123	Tapered pin.
		R200144 Bronze			KIT 144	Tapered pin. Contains cotter pins and nuts.
		R200186 Bronze			KIT 186	Tapered pin.
	(FE970)	R200156 Nylon	1.607" x 8.740"	B	KIT 156	
		R200157 Bronze			KIT 157	
	(FF901)	R200167 Nylon	1.794" x 9.120"	B	KIT 167	
		R200172 Bronze			KIT 172	
	(FF921)	R200193 Bronze	1.794" x 10.410"	B	KIT 193	
		R200199 Bronze			KIT 199	
(FF931)	R200195 Bronze	1.794" x 10.392"	B	KIT 195		
	R201307 Easy Steer			KIT 1307		
16000	(FH901)	R200168 Nylon	1.999" x 11.040"	B	KIT 168	
		R200170 Bronze			KIT 170	
	(FL931)	R200198 Bronze	1.999" x 11.212"	B	KIT 198	
		R201312 Easy Steer			KIT 1312	
18000	(FL901)	R200168 Nylon	1.999" x 11.040"	B	KIT 168	
		R200170 Bronze			KIT 170	

Tie Rod Ends

Axle Rating Lbs.	Axle Code/Year	Part Number/ Location	Stud Center to Rod End	OEM Reference	Notes		
12000	(FE900), (FE970)	R230061 Curbside	4.875"	A3144R226			
		R230060 Roadside		A3144Q225			
		R230075 Curbside		A3144N534			
		R230074 Roadside		A3144M533			
	(FF901)	R230061 Curbside	4.875"	A3144R226			
		R230060 Roadside		A3144Q225			
		R230066 Curbside		5.75"		A3144C237	Anti-tilt seal type.
		R230067 Roadside		5.75"		A3144D238	
		R230070 Curbside		5.75"		A3144J296	Conventional seal type.
		R230071 Roadside				A3144K297	
		R230075 Curbside		10.50"		A3144N534	
		R230074 Roadside				A3144M533	
	(FF921), (FF931)	R230069 Curbside	5.44"	A3144D524	Greaseable seal type.		
		R230068 Roadside		A3144E525			
16000	(FH901)	R230070 Curbside	5.75"	A3144J296			
		R230071 Roadside		A3144K297			
	(FL931)	R230070 Curbside	5.75"	839307B			
		R230071 Roadside		839308B			
		R230073 Curbside	7.37"	A3144U437			
		R230072 Roadside		A3144V438			
		R230104 Curbside	12.69"	A3144D550			
		R230105 Roadside		A3144C549			
18000	(FL901)	R230070 Curbside	5.75"	A3144J296			
		R230071 Roadside		A3144K297			

Drag Links

Axle Rating Lbs.	Axle Code/Year	Part Number	Stud Center to Stud Center	OEM Reference	Notes
12000, 16000, 18000	(All)	R230040	5.75" Stud center to rod end	L28SV5019A1	Drag link end - LH thread
		R230041	5.75" Stud center to rod end	L28SV5004D1	Drag link end - RH thread

WHITE

WFP-6342T, WFT-6342T, WFP-6364, WFP-6364T, WFT-6364, WFP-6364T, WFP-7564T, WFT-7564T, WFT-8164T, WFT-9664T

King Pin Kits

Axle Rating Lbs.	Axle Code/Year	Part Number/ Bushing Type	King Pin Size	Type	OEM Reference	Notes
12000	(FE900)	R200123 Nylon	9.750"	D	KIT 123	Tapered pin.
		R200144 Bronze			KIT 144	Tapered pin. Contains cotter pins and nuts.
		R200186 Bronze			KIT 186	Tapered pin.
	(FE970)	R200156 Nylon	1.607" x 8.740"	B	KIT 156	
		R200157 Bronze			KIT 157	
	(FF901)	R200167 Nylon	1.794" x 9.120"	B	KIT 167	
		R200172 Bronze			KIT 172	
	(FF921)	R200193 Bronze	1.794" x 10.410"	B	KIT 193	
		R200199 Bronze			KIT 199	
	(FF931)	R200195 Bronze	1.794" x 10.392"	B	KIT 195	
		R201307 Easy Steer			KIT 1307	
	16000	(FH901)	R200168 Nylon	1.999" x 11.040"	B	
R200170 Bronze			KIT 170			
(FL931)		R200198 Bronze	1.999" x 11.212"	B	KIT 198	
		R201312 Easy Steer			KIT 1312	
18000	(FL901)	R200168 Nylon	1.999" x 11.040"	B	KIT 168	
		R200170 Bronze			KIT 170	

Tie Rod Ends

Axle Rating Lbs.	Axle Code/Year	Part Number/ Location	Stud Center to Rod End	OEM Reference	Notes	
12000	(FE900), (FE970)	R230061 Curbside	4.875"	A3144R226		
		R230060 Roadside		A3144Q225		
	(FF901)	R230061 Curbside	4.875"	A3144R226		
		R230060 Roadside		A3144Q225		
		R230066 Curbside	5.75"	A3144C237		Anti-tilt seal type.
		R230067 Roadside		A3144D238		
		R230070 Curbside	5.75"	A3144J296		Conventional seal type.
	(FF921), (FE931)	R230071 Roadside		A3144K297		
		R230069 Curbside	5.44"	A3144D524		Greaseable seal type.
		R230068 Roadside		A3144E525		
16000	(FH901)	R230070 Curbside	5.75"	A3144J296		
		R230071 Roadside		A3144K297		
	(FL931)	R230073 Curbside	7.37"	A3144V437		
		R230072 Roadside		A3144U438		
18000	(FL901)	R230070 Curbside	5.75"	A3144J296		
		R230071 Roadside		A3144K297		

White Axles

King Pin Kits

Axle Rating Lbs.	Axle Code/Year	Part Number/ Bushing Type	King Pin Size	Type	OEM Reference	Notes
10000	F3-100, F3W-100, F5-100, F5W-100, F6-100, F6W-100	R200069 Bronze	1.810" x 10.375"	A	217016A	
12000	F120, F3-120, F3W-120, F5-120, F5W-120, F6W-120	R200017 Bronze	1.810" x 10.781"	A	216446	
14000	F3W-140, F5-140, F5W-140	R200017 Bronze	1.810" x 10.781"	A	216446	
	F6W-140	R200067 Bronze				

CROSS REFERENCE LISTING

NUMBER	SUPPLIER	ARVINMERITOR	NUMBER	SUPPLIER	ARVINMERITOR
00657878	GMC	R230062	1243756	Chrysler	R230004
00657879	GMC	R230063	12548107	GMC	R230141
00694332	GMC	R200199	12548108	GMC	R230142
00698569	GMC	A-3102-Y-3457	12548110	GMC	R230143
00698571	GMC	R230068	12548111	GMC	R230144
00698572	GMC	R230069	134455R91	Navistar	R200219
00712563	GMC	R230090	134456R91	Navistar	R200009
00793698	GMC	7-X-113	134457R91	Navistar	R200004
00793699	GMC	7-X-114	141064H	Navistar	R210219
02010023	GMC	7-X-111	1450062C91	Navistar	R230019
02010025	GMC	7-X-112	150768R1	Navistar	7-X-9
02036352	GMC	R200198	15501673	GMC	R250345
02045037	GMC	A2-3102-W-3455	15501674	GMC	R250346
02055523	GMC	R230074	15506689	GMC	R250001
02055524	GMC	R230075	15510849	GMC	R201307
02075447	GMC	R230073	15512233	GMC	R200157
02083286	GMC	A-3102-W-3455	15512234	GMC	R200170
02254366	GMC	R200121	15512235	GMC	R200172
02264897	GMC	R200123	15512236	GMC	R200173
02264897	GMC	R200144	15512237	GMC	R200178
02442137	GMC	7-X-67	15512238	GMC	R201308
02442145	GMC	R200156	15512240	GMC	R200154
02442145	GMC	R200157	15512338	GMC	R201300
02452870	GMC	7-X-69	15513804	GMC	A-3102-V-3454
02452873	GMC	7-X-72	15515804	GMC	R230068
02465925	GMC	R230074	15515805	GMC	R230069
02465926	GMC	R230075	1553698	GMC	R200045
02470621	GMC	R200143	1553698	GMC	R200046
02476697	GMC	A-10-X-908	15580959	GMC	A-3102-S-3451
027025321	Volvo	R230422	15584419	GMC	R230071
027091941	White Truck	R200199	15584420	GMC	R230070
027092084	White Truck	R230068	15584421	GMC	A-3102-P-3370
027092085	White Truck	R230069	15585841	GMC	R201312
027092962	White Truck	R230040	155932R92	Navistar	R200123
027092963	White Truck	R230056	15617770	GMC	A-3102-N-3472
1002163	Paccar	R250067	15618118	GMC	R201309
1002260	Paccar	R250068	15622057	GMC	R250104
1006148	Eaton	R230068	15622066	GMC	R250102
1006149	Eaton	R230069	15622068	GMC	R230209
1008500	Eaton	R200250	15622069	GMC	R230210
1009009	Eaton	R230421	15625713	GMC	R250103
1009010	Eaton	R230420	1643174	Chrysler	R200123
10QH242P1	Mack	R230061	1643174	Chrysler	R200144
10QH243P1	Mack	R230043	1643277	Chrysler	R230061
10QH243P2	Mack	R230060	1643278	Chrysler	R230060
10QH310P1	Mack	R230071	1648204C91	Navistar	R200052
10QH311	Mack	R230073	1649637C91	Navistar	R230028
10QH312	Mack	R230072	1649638C91	Navistar	R230029
10QH38	Mack	R230025	1650532C91	Navistar	A-3102-X-3456
10QH39P1	Mack	R230070	1654912C91	Navistar	R230073
110350R91	Navistar	A-10-X-468	1658394C91	Navistar	R200278
110353R1	Navistar	R210213	1658897C91	Navistar	R230411
110362R91	Navistar	R230060	1658934C91	Navistar	R200278
110362R92	Navistar	R230060	1658946C91	Navistar	R230217
110363R92	Navistar	R230061	1658947C91	Navistar	R230218
1238406	Chrysler	R230005	1660264C91	Navistar	A-3102-V-3454

CROSS REFERENCE LISTING

NUMBER	SUPPLIER	ARVINMERITOR	NUMBER	SUPPLIER	ARVINMERITOR
1660271C91	Navistar	R200268	1843208	Chrysler	R200155
1660271C92	Navistar	R200268	185120R91	Navistar	R230082
1660272C91	Navistar	R230019	185121R91	Navistar	R230081
1660273C91	Navistar	R230018	18QK23A	Mack	R230041
1662305C91	Navistar	R200123	18QK28A	Mack	R230042
1662306C91	Navistar	R200199	18QK29301	Mack	R230041
1665527C1	Navistar	7-X-1002	194688R91	Navistar	R230062
1665528C1	Navistar	7-X-1003	2007728	GMC	R230036
1665530C91	Navistar	A-3102-W-3455	2007731	GMC	R230037
1665531C91	Navistar	R201315	2010021	GMC	R200195
1668409C91	Navistar	R230415	201200	Batco	R200040
1668410C91	Navistar	R230416	201201	Batco	R200030
1668478C91	Navistar	A-3102-U-4233	201210	Batco	R200035
1668479C91	Navistar	R230105	201220	Batco	R200222
1668480C91	Navistar	R230104	201230	Batco	R200036
1671965C91	Navistar	A-3102-N-3472	201240	Batco	R200037
1676601C91	Navistar	R200170	201280	Batco	R200005
1681413C91	Navistar	R200157	201410	Batco	R200226
1681414C91	Navistar	R200168	201430	Batco	R200012
1681416C91	Navistar	R200191	201460	Batco	R200014
1681417C91	Navistar	R200194	201600R93	Navistar	R200146
1681430C91	Navistar	A2-3102-F-3464	201600R93	Navistar	R200153
1681431C91	Navistar	A1-3102-U-4233	202000	Batco	R200039
1681432C91	Navistar	A2-3102-X-3456	202010	Batco	R200038
1681456C91	Navistar	R230069	202020	Batco	R200049
1681457C91	Navistar	R230068	202030	Batco	R200062
1685405C91	Navistar	R200279	202060	Batco	R200007
171060	Batco	R200055	202070	Batco	R200001
171061	Batco	R200056	202071	Batco	R200002
171140	Batco	R200157	202082	Batco	R200026
171141	Batco	R200156	202100	Batco	R200173
171150	Batco	R200042	202102	Batco	R200171
171151	Batco	R200043	202130	Batco	R200013
171158	Batco	R200172	202140	Batco	R200060
171159	Batco	R200167	202141	Batco	R200053
171164	Batco	R200051	202190	Batco	R200046
171172	Batco	R200199	202192	Batco	R200045
171174	Batco	R200195	202201	Batco	R200029
171178	Batco	R200170	202203	Batco	R200028
171179	Batco	R200168	202211	Batco	R200018
171180	Batco	R200198	202212	Batco	R200019
171230	Batco	R200144	202220	Batco	R200008
171231	Batco	R200123	202221	Batco	R200009
171260	Batco	R200065	202241	Batco	R200143
171280	Batco	R200234	202243	Batco	R200155
171294	Batco	R200066	202244	Batco	R200016
1715447	Autocar	R200157	202252	Batco	R200006
1739844	Autocar	R200168	202261	Batco	R200235
1739844	Autocar	R200170	202263	Batco	R200047
1752310	Chrysler	R200013	202271	Batco	R200003
1795584	Chrysler	R230004	202274	Batco	R200004
1818726	Chrysler	R200142	202281	Batco	R200025
1818726	Chrysler	R200154	202282	Batco	R200024
1818854	Chrysler	R230063	202290	Batco	R200272
1818855	Chrysler	R230062	202330	Batco	R200052
1843208	Chrysler	R200143	202340	Batco	R200142

CROSS REFERENCE LISTING

NUMBER	SUPPLIER	ARVINMERITOR	NUMBER	SUPPLIER	ARVINMERITOR
202341	Batco	R200154	21176L	Batco	R230004
202350	Batco	R200044	21176R	Batco	R230005
202360	Batco	R200034	21187L	Batco	R230060
202370	Batco	R200054	21187R	Batco	R230061
202390	Batco	R200050	212035L	Batco	R230030
202400	Batco	R200275	212036R	Batco	R230031
202410	Batco	R201300	212061L	Batco	R230034
2024'20	Batco	R200157	212062R	Batco	R230035
202421	Batco	R200156	212069R	Batco	R230036
202430	Batco	R200073	212070L	Batco	R230037
202440	Batco	R200057	212090L	Batco	R230072
202450	Batco	R200058	212115R	Batco	R230041
202460	Batco	R200032	212116L	Batco	R230042
202461	Batco	R200033	212118L	Batco	R230043
202470	Batco	R200074	212208R	Batco	R230077
202480	Batco	R200055	212209R	Batco	R230073
202481	Batco	R200056	212224L	Batco	R230040
202482	Batco	R200075	212225R	Batco	R230056
202490	Batco	R200042	212613L	Batco	R230231
202491	Batco	R200043	212614R	Batco	R230230
202520	Batco	R200066	21262L	Batco	R230082
202530	Batco	R200172	21262R	Batco	R230081
202531	Batco	R200167	213030R	Batco	R230104
202540	Batco	R200061	213031L	Batco	R230105
202550	Batco	R200273	213032R	Batco	R230095
202560	Batco	R200051	21304L	Batco	R230062
202570	Batco	R200199	21304R	Batco	R230063
202590	Batco	R201307	21330L	Batco	R230008
202610	Batco	R200195	21330R	Batco	R230009
202620	Batco	R200067	21332L	Batco	R230012
202630	Batco	R200017	21332R	Batco	R230013
202640	Batco	R200069	21346R	Batco	R230066
202650	Batco	R200068	21373L	Batco	R230018
202670	Batco	R200198	21373R	Batco	R230019
202680	Batco	R200170	21405L	Batco	R230024
202681	Batco	R200168	21405R	Batco	R230025
202800	Batco	R200063	21411L	Batco	R230028
202810	Batco	R200064	21411R	Batco	R230029
202820	Batco	R200065	21423L	Batco	R230068
202840	Batco	R200011	21423R	Batco	R230069
202841	Batco	R200022	21431L	Batco	R230070
202850	Batco	R200071	21431R	Batco	R230071
202870	Batco	R200144	2157402	Bluebird	7-X-1003
202871	Batco	R200123	2157410	Bluebird	7-X-1002
202880	Batco	R200153	216446	White Truck	R200017
202881	Batco	R200146	217016A	White Truck	R200069
202890	Batco	R200072	217175	White Truck	R200067
2037140	GMC	R230036	219403R91	Navistar	R230004
2037142	GMC	R230037	219404R91	Navistar	R230005
205SQ11	Mack	R200123	2196044	Chrysler	R200146
205SQ11	Mack	R200144	2196044	Chrysler	R200153
205SQ12	Mack	R200168	2203A2029	Meritor	R210217
205SQ12	Mack	R200170	2203A2835	Meritor	R210230
205SQ15	Mack	R200199	2203A807	Meritor	R210213
21150L	Batco	R230002	2203B2836	Meritor	R210231
21150R	Batco	R230003	2203C3903	Meritor	R210219

CROSS REFERENCE LISTING

NUMBER	SUPPLIER	ARVINMERITOR	NUMBER	SUPPLIER	ARVINMERITOR
2203D2942	Meritor	R210225	2394913	GMC	R200146
2203D3904	Meritor	R210220	2407799	GMC	R200146
2203E112	Meritor	R210232	2407799	GMC	R200153
2203F110	Meritor	R210233	2442133	GMC	R210221
2203G2997	Meritor	R210205	2452860	GMC	R230070
2203H2998	Meritor	R210215	2452861	GMC	R230071
2203J3000	Meritor	R210241	2452865	GMC	R200168
2203K3001	Meritor	R210224	2452865	GMC	R200170
2203L3002	Meritor	R210223	2452876	GMC	R210229
2203M3003	Meritor	R210229	2452879	GMC	R210230
2203M3757	Meritor	R210245	2452880	GMC	R210231
2203N3004	Meritor	R210228	2456810	GMC	R230060
2203N3758	Meritor	R210246	2456811	GMC	R230061
2203P3760	Meritor	R210247	2466848	GMC	R210219
2203Q3761	Meritor	R210242	2475263	GMC	R210241
2203R200	Meritor	R210234	2475264	GMC	R210228
2203R3762	Meritor	R210243	2476922	GMC	R230003
2203S201	Meritor	R210235	2476923	GMC	R230002
2203S3763	Meritor	R210248	2489659	GMC	R210225
2203T202	Meritor	R210236	2489660	GMC	R210224
2203U203	Meritor	R210237	2489661	GMC	R210223
2203U9303	Meritor	R210244	2585607	Chrysler	R230042
2203V2856	Meritor	R210212	258877C1	Navistar	R210229
2203W6809	Meritor	R210226	2596153	Bluebird	A-3102-Y-3457
2203X1246	Meritor	R210240	2597359	Bluebird	R230060
2203Y2027	Meritor	R210216	2597557	Bluebird	R230061
2203Z2028	Meritor	R210221	2603231	Bluebird	R210224
221020	Batco	R250063	2603538	Bluebird	R210223
221028	Batco	R250085	261952C1	Navistar	R210224
2217215	GMC	R210213	2621012	Perfect Circle	R200001
2230713	GMC	R230004	2621013	Perfect Circle	R200265
2275521	Chrysler	R200013	2621016	Perfect Circle	R200027
2275522	Chrysler	R200014	2621017	Perfect Circle	R200025
228875R1	Navistar	7-X-67	2621018	Perfect Circle	R200029
228876R1	Navistar	7-X-66	262101810	Perfect Circle	R200266
228877R1	Navistar	7-X-65	2621019	Perfect Circle	R200033
228878R1	Navistar	R210221	2621336	Perfect Circle	R200003
22908	Batco	R250025	2621336015	Perfect Circle	R200004
229265R91	Navistar	R200156	2621360	Perfect Circle	R200008
229265R91	Navistar	R200157	2621360015	Perfect Circle	R200009
229265R92	Navistar	R200156	2621361	Perfect Circle	R200007
22949	Batco	R250034	2621361015	Perfect Circle	R200219
22950	Batco	R250316	2621364	Perfect Circle	R200144
22953	Batco	R250036	2621367	Perfect Circle	R200005
22979	Batco	R250051	2621390	Perfect Circle	R200010
22986	Batco	R250052	2621391	Perfect Circle	R200032
22987	Batco	R250053	2621406	Perfect Circle	R200011
22992	Batco	R250055	2621407	Perfect Circle	R200234
22993	Batco	R250056	2621411	Perfect Circle	R200222
22994	Batco	R250057	2621413	Perfect Circle	R200012
2321013	GMC	R200011	2621414	Perfect Circle	R200142
2330712	GMC	R230005	2621414010	Perfect Circle	R200021
2330713	GMC	R230004	2621417	Perfect Circle	R200014
239182R1	Navistar	R210242	2621418	Perfect Circle	R200013
239183R1	Navistar	R210248	2621421	Perfect Circle	R200143
239184R1	Navistar	R210243	2621422	Perfect Circle	R200123

CROSS REFERENCE LISTING

NUMBER	SUPPLIER	ARVINMERITOR
2621425	Perfect Circle	R200154
2621431	Perfect Circle	R200155
2621440	Perfect Circle	R200006
2621443	Perfect Circle	R200017
2621460	Perfect Circle	R200146
2621461	Perfect Circle	R200018
2621461010	Perfect Circle	R200019
2621464	Perfect Circle	R200167
2621465	Perfect Circle	R200020
2621466	Perfect Circle	R200023
2621467	Perfect Circle	R200022
2621470	Perfect Circle	R200226
2621472	Perfect Circle	R200026
2621473	Perfect Circle	R200024
2621483	Perfect Circle	R200028
2621484	Perfect Circle	R200040
2621490	Perfect Circle	R200031
2621491	Perfect Circle	R200032
2621491	Perfect Circle	R200042
2621501	Perfect Circle	R200030
2621502	Perfect Circle	R200039
2621506	Perfect Circle	R200157
2621507	Perfect Circle	R200172
2621509	Perfect Circle	R200034
2621512	Perfect Circle	R200168
2621513	Perfect Circle	R200170
2621514	Perfect Circle	R200156
2621519	Perfect Circle	R200041
2621520	Perfect Circle	R200037
2621522	Perfect Circle	R200038
2621523	Perfect Circle	R200035
2621524	Perfect Circle	R200036
2621525	Perfect Circle	R200199
2621532	Perfect Circle	R200047
2621533	Perfect Circle	R200059
2621537	Perfect Circle	R200044
2621547	Perfect Circle	R200045
2621548	Perfect Circle	R200046
2621549	Perfect Circle	R200049
2621550	Perfect Circle	R200051
2621551	Perfect Circle	R200050
2621552	Perfect Circle	R200235
2621553	Perfect Circle	R200059
2621554	Perfect Circle	R200198
2621555	Perfect Circle	R200052
2621555015	Perfect Circle	R200210
2621556	Perfect Circle	R200061
2621557	Perfect Circle	R200054
2621558	Perfect Circle	R200055
2621558020	Perfect Circle	R200075
2621559	Perfect Circle	R200056
2621560	Perfect Circle	R200057
2621561	Perfect Circle	R200058
2621562	Perfect Circle	R200043
2621563	Perfect Circle	R200062
2621564	Perfect Circle	R200060

NUMBER	SUPPLIER	ARVINMERITOR
2621565	Perfect Circle	R200053
2621566	Perfect Circle	R200070
2621569	Perfect Circle	R200065
2621570	Perfect Circle	R200064
2621571	Perfect Circle	R200063
2621572	Perfect Circle	R200195
2621575	Perfect Circle	R200069
2621576	Perfect Circle	R200068
2621577	Perfect Circle	R200067
2621579	Perfect Circle	R200073
2621580	Perfect Circle	R201300
2621582	Perfect Circle	R200066
2621584	Perfect Circle	R200074
2621585	Perfect Circle	R200267
2621586	Perfect Circle	R200251
2621589	Perfect Circle	R200072
2621591	Perfect Circle	R200071
2621592	Perfect Circle	R201309
2621593	Perfect Circle	R201307
2621594	Perfect Circle	R200250
2621597	Perfect Circle	R200272
2621598	Perfect Circle	R200273
2621599	Perfect Circle	R200275
2621600	Perfect Circle	R200276
2621603	Perfect Circle	R200268
2621635	Dana/Spicer	R201426
2622371	Bluebird	7-X-111
2622470	Bluebird	7-X-112
262700	Perfect Circle	R210252
2627002	Perfect Circle	R210252
2627009	Perfect Circle	R210252
2627035	Perfect Circle	R210216
2627036	Perfect Circle	R210210
2627038	Perfect Circle	R210211
2627042	Perfect Circle	R210218
2627056	Perfect Circle	R210204
2627064	Perfect Circle	R210258
2627065	Perfect Circle	R210227
2627071	Perfect Circle	R210225
2627073	Perfect Circle	R210222
2627076	Perfect Circle	R210224
2627080	Perfect Circle	R210223
2627082	Perfect Circle	R210228
2627085	Perfect Circle	R210216
2627087	Perfect Circle	R210215
2627089	Perfect Circle	R210209
2627090	Perfect Circle	R210208
2627091	Perfect Circle	R210214
2629897	Bluebird	A-3102-Z-3458
263498C91	Navistar	R230006
263499C91	Navistar	R230007
2692022	Perfect Circle	R230002
2692023	Perfect Circle	R230003
2692032	Perfect Circle	R230004
2692033	Perfect Circle	R230005
2692041	Perfect Circle	R230060

CROSS REFERENCE LISTING

NUMBER	SUPPLIER	ARVINMERITOR	NUMBER	SUPPLIER	ARVINMERITOR
2692042	Perfect Circle	R230061	2724124	Perfect Circle	R250055
2692051	Perfect Circle	R230006	2724125	Perfect Circle	R250057
2692052	Perfect Circle	R230007	2724126	Perfect Circle	R250056
2692064	Perfect Circle	R230082	2808618	Chrysler	R200167
2692065	Perfect Circle	R230081	2808618	Chrysler	R200172
2692097	Perfect Circle	R230062	297448C11	Navistar	A-3102-M-2899
2692098	Perfect Circle	R230063	300107	Dayton Parts	R200001
2692138	Perfect Circle	R230008	300108	Dayton Parts	R200002
2692139	Perfect Circle	R230009	300110	Dayton Parts	R200003
2692142	Perfect Circle	R230012	300111	Dayton Parts	R200004
2692143	Perfect Circle	R230013	300112	Dayton Parts	R200005
2692158	Perfect Circle	R230067	300115	Dayton Parts	R200006
2692159	Perfect Circle	R230066	300118	Dayton Parts	R200007
2692189	Perfect Circle	R230018	300119	Dayton Parts	R200219
2692190	Perfect Circle	R230019	300120	Dayton Parts	R200008
2692231	Perfect Circle	R230207	300121	Dayton Parts	R200009
2692234	Perfect Circle	R230028	300124	Dayton Parts	R200010
2692235	Perfect Circle	R230029	300125	Dayton Parts	R200144
2692243	Perfect Circle	R230068	300128	Dayton Parts	R200011
2692244	Perfect Circle	R230069	300129	Dayton Parts	R200012
2692311	Perfect Circle	R230070	300131	Dayton Parts	R200222
2692312	Perfect Circle	R230071	300134	Dayton Parts	R200265
2692314	Perfect Circle	R230024	300135	Dayton Parts	R200013
2692315	Perfect Circle	R230025	300136	Dayton Parts	R200014
2692437	Perfect Circle	R230030	300140	Dayton Parts	R200143
2692438	Perfect Circle	R230031	300141	Dayton Parts	R200016
2692446	Perfect Circle	R230042	300142	Dayton Parts	R200017
2692466	Perfect Circle	R230034	300143	Dayton Parts	R200153
2692467	Perfect Circle	R230035	300144	Dayton Parts	R200146
2692474	Perfect Circle	R230036	300150	Dayton Parts	R200123
2692475	Perfect Circle	R230037	300155	Dayton Parts	R200018
2692485	Perfect Circle	R230073	300156	Dayton Parts	R200019
2692486	Perfect Circle	R230072	300157	Dayton Parts	R200020
2692601	Perfect Circle	R230225	300158	Dayton Parts	R200154
2692645	Perfect Circle	R230071	300159	Dayton Parts	R200142
2692653	Perfect Circle	R230043	300160	Dayton Parts	R200021
2692663	Perfect Circle	R230230	300163	Dayton Parts	R200022
2692664	Perfect Circle	R230231	300164	Dayton Parts	R200023
2692700	Perfect Circle	R230040	300165	Dayton Parts	R200226
2692701	Perfect Circle	R230056	300170	Dayton Parts	R200155
2692703	Perfect Circle	R230074	300171	Dayton Parts	R200167
2692704	Perfect Circle	R230075	300172	Dayton Parts	R200024
2692705	Perfect Circle	R230051	300173	Dayton Parts	R200025
2692710	Perfect Circle	R230077	300174	Dayton Parts	R200026
2721020	Perfect Circle	R250012	300175	Dayton Parts	R200027
2721036	Perfect Circle	R250054	300175	Flagg	R200027
2721131	Perfect Circle	R250026	300179	Dayton Parts	R200028
2721150	Perfect Circle	R250025	300180	Dayton Parts	R200029
2721174	Perfect Circle	R250001	300181	Dayton Parts	R200266
2721579	Perfect Circle	R250053	300182	Dayton Parts	R200172
2721582	Perfect Circle	R250052	300184	Dayton Parts	R200030
2721583	Perfect Circle	R250051	300187	Dayton Parts	R200031
2721603	Perfect Circle	R250001	300188	Dayton Parts	R200032
2721604	Perfect Circle	R250066	300189	Dayton Parts	R200033
2721620	Perfect Circle	R250063	300194	Dayton Parts	R200034
2721626	Perfect Circle	R250085	300195	Dayton Parts	R200157

CROSS REFERENCE LISTING

NUMBER	SUPPLIER	ARVINMERITOR	NUMBER	SUPPLIER	ARVINMERITOR
300196	Dayton Parts	R200156	300261	Dayton Parts	R200276
300197	Dayton Parts	R200035	300262	Dayton Parts	R200273
300198	Dayton Parts	R200036	300263	Dayton Parts	R200275
300199	Dayton Parts	R200037	300264	Dayton Parts	R201310
300200	Dayton Parts	R200038	300265	Dayton Parts	R201312
300201	Dayton Parts	R200039	300266	Dayton Parts	R201315
300202	Dayton Parts	R200040	300267	Dayton Parts	R200250
300203	Dayton Parts	R200041	300268	Dayton Parts	R200268
300204	Dayton Parts	R200193	300269	Dayton Parts	R200278
300204	Dayton Parts	R200199	300270	Dayton Parts	R200277
300205	Dayton Parts	R200042	300274	Dayton Parts	R200269
300206	Dayton Parts	R200043	300275	Dayton Parts	R200270
300207	Dayton Parts	R200044	300276	Dayton Parts	R201426
300208	Dayton Parts	R200045	300277	Dayton Parts	R201427
300209	Dayton Parts	R200046	300278	Dayton Parts	R200279
300210	Dayton Parts	R200170	300281	Dayton Parts	R200273
300211	Dayton Parts	R200168	300286	Dayton Parts	R200280
300212	Dayton Parts	R200047	300297	Dayton Parts	R200281
300214	Dayton Parts	R200049	301SQ31C	Mack	R200072
300215	Dayton Parts	R200050	301SQ44	Mack	R200168
300216	Dayton Parts	R200198	301SQ44	Mack	R200170
300217	Dayton Parts	R200051	301SQ45A	Mack	R200063
300218	Dayton Parts	R200052	301SQ46A	Mack	R200064
300219	Dayton Parts	R200053	301SQ46B	Mack	R200064
300220	Dayton Parts	R200054	301SQ47CP1	Mack	R200065
300221	Dayton Parts	R200055	301SQ47D	Mack	R200065
300222	Dayton Parts	R200056	301SQ52	Mack	R200071
300223	Dayton Parts	R200057	301SQ52A	Mack	R200071
300224	Dayton Parts	R200058	301SW44	Mack	R200170
300225	Dayton Parts	R200059	301SW45A	Mack	R200063
300226	Dayton Parts	R200060	303136C92	Navistar	R200142
300227	Dayton Parts	R200061	303136C92	Navistar	R200154
300228	Dayton Parts	R200062	303136C92	Navistar	R200184
300229	Dayton Parts	R200063	303137C92	Navistar	R200123
300230	Dayton Parts	R200064	303137C92	Navistar	R200144
300231	Dayton Parts	R200065	303137C92	Navistar	R200186
300232	Dayton Parts	R200195	303138C92	Navistar	R200156
300233	Dayton Parts	R200066	303138C92	Navistar	R200157
300234	Dayton Parts	R200067	303138C92	Navistar	R200188
300235	Dayton Parts	R200068	303139C91	Navistar	R200007
300236	Dayton Parts	R200069	303139C92	Navistar	R200167
300237	Dayton Parts	R200070	303139C92	Navistar	R200172
300238	Dayton Parts	R200210	303140C92	Navistar	R200168
300240	Dayton Parts	R201300	303140C92	Navistar	R200170
300242	Dayton Parts	R201307	303140C92	Navistar	R200189
300243	Dayton Parts	R201308	303160	Dayton Parts	R210207
300244	Dayton Parts	R201309	303180	Dayton Parts	R210208
300245	Dayton Parts	R200071	303200	Dayton Parts	R210210
300246	Dayton Parts	R200072	303210	Dayton Parts	R210211
300248	Dayton Parts	R200073	303220	Dayton Parts	R210214
300249	Dayton Parts	R200074	303240	Dayton Parts	R210215
300250	Dayton Parts	R200075	303250	Dayton Parts	R210222
300255	Dayton Parts	R200235	303260	Dayton Parts	R210223
300257	Dayton Parts	R200267	303270	Dayton Parts	R210227
300258	Dayton Parts	R200251	303280	Dayton Parts	R210228
300260	Dayton Parts	R200272	306126	Dayton Parts	R200276

CROSS REFERENCE LISTING

NUMBER	SUPPLIER	ARVINMERITOR	NUMBER	SUPPLIER	ARVINMERITOR
306920C91	Navistar	R200031	310293	Dayton Parts	R230041
306920C92	Navistar	R200031	310294	Dayton Parts	R230042
306920C92	Navistar	R200174	310296	Dayton Parts	R230043
306921C93	Navistar	R200032	310313	Dayton Parts	R230074
306921C93	Navistar	R200033	310314	Dayton Parts	R230075
306921C93	Navistar	R200178	310317	Dayton Parts	R230051
307197C1	Navistar	R210228	310318	Dayton Parts	R230073
3082389	Volvo	R230422	310322	Dayton Parts	R230077
310112	Dayton Parts	R230002	310323	Dayton Parts	R230073
310113	Dayton Parts	R230003	310324	Dayton Parts	R230072
310115	Dayton Parts	R230004	310326	Dayton Parts	R230040
310116	Dayton Parts	R230005	310327	Dayton Parts	R230056
310121	Dayton Parts	R230060	310328	Dayton Parts	R230225
310122	Dayton Parts	R230061	310350	Dayton Parts	R230217
310129	Dayton Parts	R230006	310351	Dayton Parts	R230218
310130	Dayton Parts	R230007	310380	Dayton Parts	R230231
310133	Dayton Parts	R230082	310381	Dayton Parts	R230230
310134	Dayton Parts	R230081	310392	Dayton Parts	R230209
310142	Dayton Parts	R230062	310393	Dayton Parts	R230210
310143	Dayton Parts	R230063	310395	Dayton Parts	R230104
310160	Dayton Parts	R230008	310396	Dayton Parts	R230105
310161	Dayton Parts	R230009	310399	Dayton Parts	R230095
310164	Dayton Parts	R230012	310421	Dayton Parts	R230117
310165	Dayton Parts	R230013	310422	Dayton Parts	R230118
310169	Dayton Parts	R230066	310424	Dayton Parts	R230071
310170	Dayton Parts	R230067	310425	Dayton Parts	R230070
310183	Dayton Parts	R230018	310433	Dayton Parts	R230072
310184	Dayton Parts	R230019	310434	Dayton Parts	R230073
310188	Dayton Parts	R230042	310441	Dayton Parts	R230422
310208	Dayton Parts	R230024	310455	Dayton Parts	R230139
310209	Dayton Parts	R230025	310456	Dayton Parts	R230140
310211	Dayton Parts	R230207	310467	Dayton Parts	R230141
310212	Dayton Parts	R230208	310468	Dayton Parts	R230142
310215	Dayton Parts	R230028	310469	Dayton Parts	R230143
310216	Dayton Parts	R230029	310470	Dayton Parts	R230144
310222	Dayton Parts	R230068	310471	Dayton Parts	R230409
310223	Dayton Parts	R230069	310472	Dayton Parts	R230408
310228	Dayton Parts	R230070	310473	Dayton Parts	R230419
310228	Dayton Parts	R230071	310474	Dayton Parts	R230418
310229	Dayton Parts	R230070	310483	Dayton Parts	R230145
310229	Dayton Parts	R230071	310484	Dayton Parts	R230146
310264	Dayton Parts	R230405	313100C1	Navistar	R210223
310266	Dayton Parts	R230030	317416C92	Navistar	R200146
310267	Dayton Parts	R230031	317416C92	Navistar	R200153
310269	Dayton Parts	R230042	32022	Autocar	R230073
310271	Dayton Parts	R230034	32023	Autocar	R230072
310272	Dayton Parts	R230035	3213831R1	Navistar	A-3102-Y-3847
310277	Dayton Parts	R230036	341551	Dana/Spicer	NL-112-1
310278	Dayton Parts	R230037	346142	Dayton Parts	R250012
310283	Dayton Parts	R230072	346188	Dayton Parts	R250001
310284	Dayton Parts	R230073	346189	Dayton Parts	R250025
310285	Dayton Parts	R230421	346190	Dayton Parts	R250026
310286	Dayton Parts	R230420	346218	Dayton Parts	R250033
310290	Dayton Parts	R230040	346219	Dayton Parts	R250034
310291	Dayton Parts	R230041	346220	Dayton Parts	R250316
310292	Dayton Parts	R230041	346223	Dayton Parts	R250036

CROSS REFERENCE LISTING

NUMBER	SUPPLIER	ARVINMERITOR	NUMBER	SUPPLIER	ARVINMERITOR
346249	Dayton Parts	R250051	3780539	Chrysler	R200235
346256	Dayton Parts	R250052	3821771	Chrysler	R230062
346257	Dayton Parts	R250053	3838004	Chrysler	R230005
346258	Dayton Parts	R250054	3838005	Chrysler	R230004
346262	Dayton Parts	R250055	3854008	GMC	R200226
346263	Dayton Parts	R250056	3854744	GMC	R200001
346264	Dayton Parts	R250057	3854745	GMC	R200002
346279	Dayton Parts	R250063	3858390	GMC	R200024
346282	Dayton Parts	R250335	3858390	GMC	R200025
346286	Dayton Parts	R250093	3864347	GMC	R230008
346293	Dayton Parts	R250066	3864348	GMC	R230009
346297	Dayton Parts	R250085	3864353	GMC	R230012
346300	Dayton Parts	R250340	3864354	GMC	R230013
346310	Dayton Parts	R250345	389050001	Volvo	R250093
346339	Dayton Parts	R250346	3892946	GMC	R230405
346341	Dayton Parts	R250095	3927942	GMC	R200026
346345	Dayton Parts	R250347	3927942	GMC	R200027
346350	Dayton Parts	R250103	3927943	GMC	R200024
346351	Dayton Parts	R250104	3927943	GMC	R200025
346370	Dayton Parts	R250067	399942C93	Navistar	R200042
346371	Dayton Parts	R250068	4026848	Chrysler	R200053
346377	Dayton Parts	R250088	4026848	Chrysler	R200060
346379	Dayton Parts	R250105	408547C91	Navistar	R200034
346383	Dayton Parts	R250348	408547C93	Navistar	R200034
346384	Dayton Parts	R250112	4279527	Bluebird	R230068
346385	Dayton Parts	R250113	4279535	Bluebird	R230069
346386	Dayton Parts	R250120	4279592	Bluebird	R210225
346390	Dayton Parts	R250349	4293387	Bluebird	A-3102-B-3850
346446	Dayton Parts	R250124	4300273	Bluebird	R230070
3634207	Chrysler	R230042	4300281	Bluebird	R230071
37019	Autocar	R230069	438368C91	Navistar	R230068
37020	Autocar	R230068	438369C91	Navistar	R230069
370240004	Autocar	R230068	438370C91	Navistar	A2-3102-W-3455
370240004	Brockway	R230068	447094C91	Navistar	R230028
370240004	White Truck	R230068	447095C91	Navistar	R230029
370240005	Autocar	R230069	450062C91	Navistar	R230019
370240005	Brockway	R230069	450063C91	Navistar	R230018
370240005	White Truck	R230069	452344C91	Navistar	R200199
370245001	Autocar	R230072	452344C91	Navistar	R200193
370245001	Brockway	R230072	462389	GMC	R230034
370245001	White Truck	R230072	462390	GMC	R230035
370245002	Autocar	R230073	466214C91	Navistar	A-3102-Y-3457
370245002	Brockway	R230073	470572C91	Navistar	R200058
370245002	White Truck	R230073	470752C9	Navistar	R200057
370245010	White Truck	R230069	472093C91	Navistar	R200034
370245011	White Truck	R230068	472094C91	Navistar	R200055
3704112	GMC	R200010	472094C91	Navistar	R200056
370905000	White Truck	R200195	473695C91	Navistar	R200052
370905005	White Truck	R200068	474520C91	Navistar	R200198
370905015	White Truck	R201300	474521C1	Navistar	7-X-113
370905018	White Truck	R201307	474522C1	Navistar	7-X-114
3744496	Chrysler	R230069	480645C92	Navistar	R250051
3744497	Chrysler	R230068	486351C91	Navistar	A-3102-Z-3848
377635C91	Navistar	R230028	486352C91	Navistar	A-3102-A-3849
377636C91	Navistar	R230029	486354C91	Navistar	R230072
3780539	Chrysler	R200047	486355C91	Navistar	R230073

CROSS REFERENCE LISTING

NUMBER	SUPPLIER	ARVINMERITOR	NUMBER	SUPPLIER	ARVINMERITOR
486807C91	Navistar	R230051	671488	GMC	R230024
486978C91	Navistar	R250340	671489	GMC	R230025
486979C91	Navistar	R250335	684196	GMC	R250054
489023C91	Navistar	R250066	685504	GMC	R230070
490425C91	Navistar	R250340	685505	GMC	R230071
491611C92	Navistar	R250055	69576R92	Navistar	R200123
491666C91	Navistar	R230077	69576R92	Navistar	R200144
493092C91	Navistar	R200054	69971R91	Navistar	R200007
493094C92	Navistar	R200055	703122B	Ford	7-X-9
493094C92	Navistar	R200075	70594R91	Navistar	R200008
493095C91	Navistar	R200057	718114	White Truck	R230005
493095C91	Navistar	R200058	718115	White Truck	R230004
493095C92	Navistar	R200054	718796	GMC	R250052
503523C91	Navistar	R250063	718797	GMC	R250001
50405505	Intraworld	R230084	718798	GMC	R250053
50526565	Intraworld	R200123	722166	GMC	R200045
50552793	Intraworld	R230070	722166	GMC	R200046
50552801	Intraworld	R230071	798203	GMC	R230073
50553270	Intraworld	R200168	798204	GMC	R230072
506625C91	Navistar	A-3102-T-3452	806355	Eaton	R200267
506661C91	Navistar	R230231	806355	Eaton	R200269
506662C91	Navistar	R230230	806356	Eaton	R200251
506684C91	Navistar	R230073	806356	Eaton	R200270
50710896	Intraworld	7-X-68	811525	Eaton	R200250
50710904	Intraworld	7-X-71	817018	Eaton	R230140
50737386	Intraworld	R230062	817019	Eaton	R230139
507835C91	Navistar	R230028	820694	Eaton	R230072
507836C91	Navistar	R230029	820695	Eaton	R230073
507837C91	Navistar	R230068	823078	Eaton	R200281
507838C91	Navistar	R230069	8357B	Moog	R200006
50823350	Intraworld	A1-3102-A-3849	836687	Autocar	R200123
50824408	Intraworld	R210230	8375B	Moog	R200003
52163284	Intraworld	R230061	8385B	Moog	R200008
52163292	Intraworld	R230060	8386B	Moog	R200144
549772C91	Navistar	A1-3102-Y-3847	8386N	Moog	R200123
549782C1	Navistar	7-X-111	8389B	Moog	R200007
549783C1	Navistar	7-X-112	839307B	White Truck	R230070
549800C91	Navistar	R200195	839308B	White Truck	R230071
577682C91	Navistar	R230074	8393B	Moog	R200010
577683C91	Navistar	R230075	8445B	Moog	R200226
577684C91	Navistar	R201300	8454B	Moog	R200014
581063C91	Navistar	R230073	8455B	Moog	R200222
581064C91	Navistar	R230063	8456B	Moog	R200013
586806C91	Navistar	R200073	8458B	Moog	R200012
586808C91	Navistar	R200074	8462B	Moog	R200011
586809C91	Navistar	R200073	8462N	Moog	R200022
588808C91	Navistar	R200074	8471B	Moog	R200265
591945C91	Navistar	R200277	8474B	Moog	R200153
591945C92	Navistar	R200277	8474N	Moog	R200146
592872C91	Navistar	R230095	8476B	Moog	R200017
596653C91	Navistar	R230410	8485B	Moog	R200020
597258C91	Navistar	R201312	8488B	Moog	R200018
597556C91	Navistar	R201307	8488B10	Moog	R200019
61556R91	Navistar	R200003	8489B	Moog	R200172
62905R93	Navistar	R200005	8489N	Moog	R200167
669335	GMC	R250026	8490B	Moog	R200005

CROSS REFERENCE LISTING

NUMBER	SUPPLIER	ARVINMERITOR	NUMBER	SUPPLIER	ARVINMERITOR
8490T	Moog	R200001	859552	Autocar	R200156
8491B	Moog	R200025	859552	GMC	R200156
8491N	Moog	R200024	8601B	Moog	R200065
8492B	Moog	R200027	8604B	Moog	R200069
8492N	Moog	R200026	8605B	Moog	R200068
8500B	Moog	R200029	8607B	Moog	R200067
8500B10	Moog	R200266	8610B	Moog	R200073
8500N	Moog	R200028	8611C	Moog	R201309
8503B	Moog	R200032	8612B	Moog	R201300
8507B	Moog	R200143	8613B	Moog	R200066
8507N	Moog	R200155	8614B	Moog	R200072
8514B	Moog	R200157	8616B	Moog	R201307
8514N	Moog	R200156	8617B	Moog	R200074
8517B	Moog	R200277	8617C	Moog	R200278
8518B	Moog	R200170	8618C	Moog	R200267
8518N	Moog	R200168	8631C	Moog	R200251
8519B	Moog	R200154	8633C	Moog	R200250
8519N	Moog	R200154	8637B	Moog	R200268
8522B	Moog	R200037	8639B	Moog	R200272
8523B	Moog	R200041	8641B	Moog	R200275
8524B	Moog	R200040	8643B	Moog	R200273
8524N	Moog	R200030	8645B	Moog	R200277
8540B	Moog	R200035	869336R1	Navistar	R210225
8540N	Moog	R200070	870148R92	Navistar	R200167
8551B	Moog	R200036	870148R92	Navistar	R200172
8551N	Moog	R200059	872469	Autocar	R230061
8553B	Moog	R200199	872469	Brockway	R230061
8555B	Moog	R200039	872469	White Truck	R230061
8562B	Moog	R200235	872470	Autocar	R230060
8562N	Moog	R200047	872470	Brockway	R230060
8562N	Moog	R200235	872470	White Truck	R230060
8567B	Moog	R200042	8814B	Moog	R200072
8567N	Moog	R200043	883234	White Truck	R230063
8568B	Moog	R200044	887783A	Autocar	R230071
8570B	Moog	R200046	887783A	Brockway	R230071
8570N	Moog	R200045	887783A	White Truck	R230071
8571B	Moog	R200198	887784A	Autocar	R230070
8572B	Moog	R200051	887784A	Brockway	R230070
8572C	Moog	R200276	887784A	White Truck	R230070
857328	Autocar	R200144	8885021	GMC	R200022
8573B	Moog	R200050	8885621	GMC	R200066
8574B	Moog	R200049	8885856	GMC	R200066
8577B	Moog	R200052	8885857	GMC	R200024
8577B10	Moog	R200210	8885857	GMC	R200025
8579B	Moog	R200054	894049R93	Navistar	R230074
8581B	Moog	R200055	894050R93	Navistar	R230075
8581B+002	Moog	R200075	894144R91	Navistar	R230002
8581N	Moog	R200056	894145R91	Navistar	R230003
8583B	Moog	R200057	966145R1	Navistar	R210230
8583N	Moog	R200058	969053R91	Navistar	A-3102-T-2802
8587B	Moog	R200060	969054R91	Navistar	A-3102-G-2841
8587N	Moog	R200053	969055R91	Navistar	R230071
8589B	Moog	R200062	969056R91	Navistar	R230070
8590B	Moog	R200195	A123144M273	Meritor	R230074
8592B	Moog	R200063	A13102R4516	Meritor	A1-3102-S-4517
8593B	Moog	R200064	A13144F370	Meritor	R230077

CROSS REFERENCE LISTING

NUMBER	SUPPLIER	ARVINMERITOR	NUMBER	SUPPLIER	ARVINMERITOR
A13144L194	Meritor	R230063	B5TZ3A130A	Ford	R230061
A13144M195	Meritor	R230062	B5TZ3A131A	Ford	R230060
A23144M273	Meritor	R230074	B7C3111A	Ford	R200222
A23144N274	Meritor	R230075	B7T3111A	Ford	R200265
A23144U385	Meritor	R230085	B7TZ3111A	Ford	R200006
A23144V386	Meritor	R230084	B7TZ3111C	Ford	R200123
A3102R4516	Meritor	A-3102-S-4517	B7TZ3111C	Ford	R200144
A3102T4518	Meritor	A-3102-S-4517	B7TZ3111F	Ford	R200143
A3144C237	Meritor	R230066	B7TZ3111F	Ford	R200155
A3144C549	Meritor	R230105	B7Y3111A	Ford	R200012
A3144D238	Meritor	R230067	B8TZ3A130B	Ford	R230066
A3144D524	Meritor	R230069	B8TZ3A131B	Ford	R230067
A3144D550	Meritor	R230104	BU108	Trayer	R210008
A3144E525	Meritor	R230068	BU109	Trayer	R210007
A3144E551	Meritor	R230095	BU125	Trayer	R210009
A3144F448	Meritor	R230073	BU127	Trayer	R210019
A3144F526	Meritor	R230090	BU141	Trayer	R210010
A3144G449	Meritor	R230072	BU142	Trayer	R210011
A3144J296	Meritor	R230070	BU151	Trayer	R210059
A3144K297	Meritor	R230071	BU153	Trayer	R210058
A3144L194	Meritor	R230084	BU154	Trayer	R210013
A3144M195	Meritor	R230085	BU155	Trayer	R210104
A3144M273	Meritor	R230074	BU155	Trayer	R210104
A3144M351	Meritor	R230082	BU161	Trayer	R210003
A3144M533	Meritor	R230074	BU171	Trayer	R210020
A3144N274	Meritor	R230075	BU179	Trayer	R210018
A3144N352	Meritor	R230081	BU199	Trayer	R210025
A3144N456	Meritor	R230068	BU209	Trayer	R210021
A3144N534	Meritor	R230075	BU210	Trayer	R210027
A3144P458	Meritor	R230069	BU212	Trayer	R210022
A3144Q225	Meritor	R230060	BU213	Trayer	R210031
A3144Q459	Meritor	R230090	BU214	Trayer	R210023
A3144R226	Meritor	R230061	BU215	Trayer	R210024
A3144T202	Meritor	R230061	BU220	Trayer	R210026
A3144U385	Meritor	R230062	BU221	Trayer	R210028
A3144V386	Meritor	R230063	BU230	Trayer	R210029
A3144V516	Meritor	R230098	BU233	Trayer	R210030
A3144W517	Meritor	R230099	BU237	Trayer	R210038
A3144Y441	Meritor	R230087	BU244	Trayer	R210032
A3144Z442	Meritor	R230086	BU245	Trayer	R210033
AKP3490	PAI	R200065	BU246	Trayer	R210039
AKP9220	PAI	R200064	BU247	Trayer	R210037
AKP9250	PAI	R200063	BU250	Trayer	R210035
AKP9819	PAI	R200071	BU252	Trayer	R210012
AKP9820	PAI	R200072	BU260	Trayer	R210036
AKP9821	PAI	R200168	BU261	Trayer	R210040
AKP9822	PAI	R200195	BU263	Trayer	R210045
AKP9823	PAI	R200198	BU265	Trayer	R210046
ARE9950	PAI	R230071	BU266	Trayer	R210047
ARE9955	PAI	R230061	BU267	Trayer	R210041
ARE9970	PAI	R230025	BU268	Trayer	R210044
ARE9984	PAI	R230060	BU272	Trayer	R210042
ARE9985	PAI	R230043	BU273	Trayer	R210043
ARE9988	PAI	R230069	BU277	Trayer	R210048
ARE9990	PAI	R230070	BU279	Trayer	R210049
B4TZ3A130B	Ford	R230061	BU282	Trayer	R210051

CROSS REFERENCE LISTING

NUMBER	SUPPLIER	ARVINMERITOR	NUMBER	SUPPLIER	ARVINMERITOR
BU283	Trayer	R210052	C7TZ3A130A	Ford	R230019
BU284	Trayer	R210050	C7TZ3A130D	Ford	R230019
BU285	Trayer	R210004	C7TZ3A131A	Ford	R230018
BU286	Trayer	R210034	C7TZ3A131D	Ford	R230018
BU287	Trayer	R210053	C8TZ3111A	Ford	R200030
BU290	Trayer	R210088	C8TZ3A130A	Ford	R230061
BU292	Trayer	R210054	D0H3A130B	Ford	R230070
BU293	Trayer	R210055	D0HA3304F	Ford	R250025
BU294N	Trayer	R210057	D0HZ3111B	Ford	R200172
BU295	Trayer	R210056	D0HZ3111C	Ford	R200156
BU298	Trayer	R210100	D0HZ3111C	Ford	R200157
BU304	Trayer	R210101	D0HZ3111D	Ford	R200153
BU305	Trayer	R210103	D0HZ3111E	Ford	R200168
BU324	Trayer	R210105	D0HZ3111E	Ford	R200170
BU344	Trayer	R210102	D0HZ3111E	Ford	R200189
BU348	Trayer	R210109	D0HZ3111E	Ford	R200191
BU351	Trayer	R210106	D0HZ3117A	Ford	R210223
BU38	Trayer	R210005	D0HZ3304B	Ford	R250036
BU405	Trayer	R210110	D0HZ3A130A	Ford	R230069
BU48	Trayer	R210016	D0HZ3A130B	Ford	R230070
BU56	Trayer	R210014	D0HZ3A130D	Ford	R230069
BU57	Trayer	R210015	D0HZ3A131A	Ford	R230068
BU8	Trayer	R210006	D0HZ3A131B	Ford	R230071
BU81	Trayer	R210001	D0HZ3A131C	Ford	R230042
BU85	Trayer	R210002	D0HZ3A131D	Ford	R230068
BU86	Trayer	R210017	D1HZ3111A	Ford	R200142
C1TT3A158G	Ford	R250316	D1HZ3111A	Ford	R200154
C1TZ3A130A	Ford	R230003	D1HZ3111B	Ford	R200167
C1TZ3A130B	Ford	R230063	D1HZ3111B	Ford	R200172
C1TZ3A130C	Ford	R230061	D1TZ3A130A	Ford	R230062
C1TZ3A131A	Ford	R230002	D2TZ3111A	Ford	R200037
C1TZ3A131B	Ford	R230062	D2TZ3111B	Ford	R200040
C1TZ3A131C	Ford	R230060	D2TZ3111C	Ford	R200039
C2TZ3111A	Ford	R200006	D2TZ3111D	Ford	R200018
C2TZ3111A	Ford	R200023	D2UZ3111A	Ford	R200041
C2TZ3111A	Ford	R200154	D2UZ3111B	Ford	R200038
C2TZ3111A	Ford	R200184	D3TZ3111A	Ford	R200028
C2TZ3111E	Ford	R200146	D3TZ3111A	Ford	R200029
C2TZ3111F	Ford	R200155	D3TZ3111A	Ford	R200266
C2TZ3111G	Ford	R200154	D5HA3304DB	Ford	R250025
C2TZ3111G	Ford	R200184	D5HA3304EA	Ford	R250036
C3TZ3111A	Ford	R200018	D5HA3304EB	Ford	R250036
C3TZ3111B	Ford	R200167	D5HZ3111C	Ford	R200198
C3TZ3111B	Ford	R200172	D5HZ3111C	Ford	R201312
C3TZ3A130D	Ford	R230019	D5HZ3304D	Ford	R250025
C3TZ3A131D	Ford	R230018	D5TZ3111A	Ford	R200035
C4TZ3111A	Ford	R200156	D5TZ3111A	Ford	R200070
C4TZ3111A	Ford	R200188	D5TZ3A130A	Ford	R230030
C4UZ3111B	Ford	R200020	D5TZ3A131A	Ford	R230031
C5TZ3117A	Ford	R210230	D5UZ3111A	Ford	R200036
C5TZ3117B	Ford	R210231	D5UZ3111B	Ford	R200049
C5TZ3117C	Ford	R210228	D6HZ3111A	Ford	R200051
C7TZ3111A	Ford	R200028	D6HZ3111B	Ford	R200050
C7TZ3111A	Ford	R200029	D6HZ3111C	Ford	R200276
C7TZ3111A	Ford	R200266	D6TZ3111A	Ford	R200044
C7TZ3304A	Ford	R250012	D7HT3304SA	Ford	R250025

CROSS REFERENCE LISTING

NUMBER	SUPPLIER	ARVINMERITOR	NUMBER	SUPPLIER	ARVINMERITOR
D7HZ3111A	Ford	R200142	DS987	Industry	R250053
D7HZ3111A	Ford	R200154	DS988	Industry	R250054
D7TZ3111A	Ford	R200028	DS992	Industry	R250055
D7TZ3111A	Ford	R200029	DS993	Industry	R250056
D8HZ3111A	Ford	R200061	DS994	Industry	R250057
DL2345	Eaton	R250055	E0HT3304A	Ford	R250033
DL2346	Eaton	R250056	E0HT3304B	Ford	R250034
DL2347	Eaton	R250057	E0HT3304BA	Ford	R250033
DL2351	Eaton	R250063	E0HT3304BB	Ford	R250033
DL2360	Eaton	R250051	E0HT3304DA	Ford	R250034
DL2449	Eaton	R250052	E0HT3304F	Ford	R250348
DL2450	Eaton	R250053	E0HZ3304A	Ford	R250033
DL2451	Eaton	R250036	E0HZ3304B	Ford	R250034
DL2452	Eaton	R250025	E0TZ3111A	Ford	R200062
DS1020	Industry	R250063	E10108	Euclid	R230141
DS1022	Industry	R250335	E10109	Euclid	R230142
DS1024	Industry	R250093	E10110	Euclid	R230143
DS1028	Industry	R250085	E10111	Euclid	R230144
DS1031	Industry	R250340	E10137	Euclid	R230139
DS1034	Industry	R250066	E10138	Euclid	R230140
DS1044	Industry	R250345	E11394B	Euclid	R200281
DS1064	Industry	R250001	E11785C	Euclid	R200279
DS1067	Industry	R250346	E11788	Euclid	R230145
DS1179	Industry	R250067	E11789	Euclid	R230146
DS1180	Industry	R250068	E11790	Euclid	R250124
DS1186	Industry	R250088	E2HT3304AA	Ford	R250034
DS1191	Industry	R250095	E3HZ3304A	Ford	R250105
DS1198	Industry	R250102	E3HZ3304B	Ford	R250034
DS1199	Industry	R250103	E3HZ3304H	Ford	R250025
DS1200	Industry	R250104	E3HZ3304J	Ford	R250036
DS1201	Industry	R250105	E3HZ3A130A	Ford	R230069
DS1203	Industry	R250347	E3HZ3A131A	Ford	R230068
DS1204	Industry	R250105	E4430B	Euclid	R200001
DS1207	Industry	R250348	E4430B10	Euclid	R200002
DS1214	Industry	R250112	E4431B	Euclid	R200003
DS1215	Industry	R250113	E4431B15	Euclid	R200004
DS1218	Industry	R250120	E4432B	Euclid	R200007
DS1234	Industry	R250349	E4433B	Euclid	R200008
DS1265	Industry	R250357	E4433B15	Euclid	R200009
DS1268	Industry	R250359	E4434B	Euclid	R200144
DS1269	Industry	R250360	E4434B	Euclid	R200186
DS1270	Industry	R250361	E4434N	Euclid	R200123
DS1271	Industry	R250362	E4435B	Euclid	R200011
DS1366	Industry	R250392	E4435N	Euclid	R200022
DS1369	Industry	R250395	E4436B	Euclid	R200013
DS1442	Industry	R250124	E4437B	Euclid	R200014
DS800	Industry	R250012	E4438B	Euclid	R200143
DS907	Industry	R250001	E4438B10	Euclid	R200016
DS908	Industry	R250025	E4438N	Euclid	R200155
DS910	Industry	R250026	E4439B	Euclid	R200153
DS948	Industry	R250033	E4439N	Euclid	R200146
DS949	Industry	R250034	E4440B	Euclid	R200018
DS950	Industry	R250316	E4440B10	Euclid	R200019
DS953	Industry	R250036	E4441B	Euclid	R200142
DS979	Industry	R250051	E4441B	Euclid	R200154
DS986	Industry	R250052	E4441B	Euclid	R200184

CROSS REFERENCE LISTING

NUMBER	SUPPLIER	ARVINMERITOR	NUMBER	SUPPLIER	ARVINMERITOR
E4441B10	Euclid	R200021	E4572	Euclid	R210207
E4441N	Euclid	R200184	E4573	Euclid	R210208
E4442B	Euclid	R200172	E4574	Euclid	R210209
E4442N	Euclid	R200167	E4574	Euclid	R210210
E4443B	Euclid	R200025	E4575	Euclid	R210210
E4443N	Euclid	R200024	E4576	Euclid	R210211
E4444B	Euclid	R200027	E4577	Euclid	R210214
E4444N	Euclid	R200026	E4578	Euclid	R210215
E4445B	Euclid	R200029	E4579	Euclid	R210218
E4445N	Euclid	R200028	E4580	Euclid	R210222
E4446B	Euclid	R200031	E4581	Euclid	R210223
E4447B	Euclid	R200032	E4582	Euclid	R210227
E4447B	Euclid	R200178	E4583	Euclid	R210228
E4447N	Euclid	R200033	E4595B	Euclid	R201300
E4447N	Euclid	R200178	E4598B	Euclid	R200017
E4448B	Euclid	R200034	E4599B	Euclid	R200071
E4449B	Euclid	R200156	E4599N	Euclid	R200071
E4449B	Euclid	R200157	E4600	Euclid	R230006
E4449B	Euclid	R200188	E4601	Euclid	R230007
E4450B	Euclid	R200193	E4602	Euclid	R230062
E4450B	Euclid	R200199	E4603	Euclid	R230063
E4451B	Euclid	R200042	E4604	Euclid	R230018
E4451N	Euclid	R200043	E4605	Euclid	R230019
E4452B	Euclid	R200044	E4606	Euclid	R230024
E4453B	Euclid	R200046	E4607	Euclid	R230025
E4453N	Euclid	R200045	E4608	Euclid	R230037
E4454B	Euclid	R200170	E4609	Euclid	R230036
E4454B	Euclid	R200189	E4610	Euclid	R230060
E4454N	Euclid	R200168	E4611	Euclid	R230061
E4455N	Euclid	R200047	E4612	Euclid	R230034
E4455N	Euclid	R200235	E4613	Euclid	R230035
E4457B	Euclid	R200050	E4614	Euclid	R230069
E4458B	Euclid	R200198	E4615	Euclid	R230068
E4458C	Euclid	R201312	E4616	Euclid	R230071
E4459B	Euclid	R200051	E4617	Euclid	R230070
E4459C	Euclid	R200276	E4618	Euclid	R230067
E4460B	Euclid	R200052	E4619	Euclid	R230066
E4461B	Euclid	R200054	E4620	Euclid	R230008
E4462B	Euclid	R200055	E4621	Euclid	R230009
E4462N	Euclid	R200056	E4622	Euclid	R230030
E4463B	Euclid	R200058	E4623	Euclid	R230031
E4463N	Euclid	R200057	E4624	Euclid	R230012
E4464B	Euclid	R200061	E4625	Euclid	R230013
E4465B	Euclid	R200063	E4628	Euclid	R230072
E4466B	Euclid	R200064	E4629	Euclid	R230073
E4467B	Euclid	R200065	E4630	Euclid	R230028
E4468B	Euclid	R200195	E4631	Euclid	R230029
E4469B	Euclid	R200066	E4634	Euclid	R230002
E4470B	Euclid	R200067	E4635	Euclid	R230003
E4471B	Euclid	R200068	E4636	Euclid	R230004
E4472B	Euclid	R200069	E4637	Euclid	R230005
E4566	Euclid	R210252	E4640	Euclid	R230043
E4567	Euclid	R210252	E4642	Euclid	R230077
E4568	Euclid	R210258	E4693B	Euclid	R200074
E4570	Euclid	R210204	E4694C	Euclid	R201307
E4571	Euclid	R210207	E4695C	Euclid	R201309

CROSS REFERENCE LISTING

NUMBER	SUPPLIER	ARVINMERITOR	NUMBER	SUPPLIER	ARVINMERITOR
E4696B	Euclid	R200269	E6808	Euclid	R250085
E4696C	Euclid	R200267	E6815	Euclid	R250345
E4697B	Euclid	R200073	E6816	Euclid	R250001
E4697C	Euclid	R200073	E6817	Euclid	R250346
E4698B	Euclid	R200075	E6818	Euclid	R250067
E4HZ3304B	Ford	R250025	E6819	Euclid	R250068
E4HZ3A130A	Ford	R230069	E6824	Euclid	R230073
E4HZ3A131A	Ford	R230068	E6825	Euclid	R250088
E4HZ3B711A	Ford	R250025	E6827	Euclid	R250095
E5310	Euclid	R250012	E6832	Euclid	R250102
E5324	Euclid	R250001	E6833	Euclid	R250103
E5325	Euclid	R250025	E6834	Euclid	R250104
E5326	Euclid	R250026	E6835	Euclid	R250347
E5338	Euclid	R250033	E6836	Euclid	R250105
E5339	Euclid	R250034	E6839	Euclid	R250348
E5340	Euclid	R250316	E6847	Euclid	R230074
E5342	Euclid	R250036	E6847	Euclid	R230105
E5366	Euclid	R250051	E6848	Euclid	R230075
E5372	Euclid	R250052	E6849	Euclid	R230051
E5373	Euclid	R250053	E6854	Euclid	R230209
E5374	Euclid	R250054	E6855	Euclid	R230210
E5378	Euclid	R250055	E6856	Euclid	R230104
E5379	Euclid	R250056	E6857	Euclid	R230105
E5380	Euclid	R250057	E6858	Euclid	R230095
E5386	Euclid	R250063	E6868B	Euclid	R201310
E5391	Euclid	R230040	E6869B	Euclid	R200270
E5392	Euclid	R230405	E6869C	Euclid	R200251
E5402	Euclid	R230056	E6875C	Euclid	R200278
E5440B	Euclid	R200072	E6876C	Euclid	R200277
E5441B	Euclid	R200234	E6878	Euclid	R250340
E5469	Euclid	R230210	E6TZ3304A	Ford	R250066
E5469	Euclid	R230231	E6TZ3304C	Ford	R250066
E5470	Euclid	R230230	E7TZ3111A	Ford	R200044
E5484C	Euclid	R200250	E8757	Euclid	R230421
E5489C	Euclid	R201315	E8758	Euclid	R230420
E5666	Euclid	R250051	E8HZ3111A	Ford	R200272
E5963	Euclid	N-19-1	E8HZ3304B	Ford	R250095
E6136	Euclid	R230218	E8HZ3304E	Ford	R250347
E6194C	Euclid	R200250	E8HZ3304F	Ford	R250347
E6195B	Euclid	R200272	E8HZ3A130A	Ford	R230019
E6196B	Euclid	R200273	E8HZ3A131A	Ford	R230018
E6197B	Euclid	R200275	E8TZ3117A	Ford	R210241
E6198B	Euclid	R200268	E8TZ3117B	Ford	R210212
E6199C	Euclid	R201315	E8TZ3117C	Ford	R210213
E6206	Euclid	R230095	E9311B	Euclid	R200012
E6449N	Euclid	R200059	E9313B	Euclid	R200040
E6450B	Euclid	R200062	E9313N	Euclid	R200030
E6451B	Euclid	R200049	E9314B	Euclid	R200039
E6452B	Euclid	R200232	E9315B	Euclid	R200035
E6453B	Euclid	R200036	E9315N	Euclid	R200070
E6628	Euclid	R230207	E9877	Euclid	R230041
E6719	Euclid	R230208	E9878	Euclid	R230042
E6721	Euclid	R230225	E9897	Euclid	R250120
E6764	Euclid	R250066	E9911	Euclid	R250112
E6804	Euclid	R250335	E9919	Euclid	R230410
E6806	Euclid	R250093	E9925	Euclid	R250357

CROSS REFERENCE LISTING

NUMBER	SUPPLIER	ARVINMERITOR	NUMBER	SUPPLIER	ARVINMERITOR
E9927	Euclid	R250359	ES235L	Industry	R230006
E9929	Euclid	R250360	ES235NL	Industry	R230006
E9931	Euclid	R250349	ES235NR	Industry	R230007
E9933	Euclid	R250361	ES235R	Industry	R230007
E9934	TRW	R250362	ES2613L	Industry	R230231
E9936	Euclid	R250395	ES2614R	Industry	R230230
E9937	Euclid	R250392	ES262L	Industry	R230082
E9941B	Euclid	R201426	ES262R	Industry	R230081
E9942B	Euclid	R201427	ES3026L	Industry	R230209
E9943B	Euclid	R200280	ES3027R	Industry	R230210
E9948	Euclid	R230411	ES3030R	Industry	R230104
E9951	Euclid	R230415	ES3031L	Industry	R230105
E9952	Euclid	R230416	ES3032R	Industry	R230095
E9955	Euclid	R230072	ES3039L	Industry	R230117
E9965	Euclid	R230419	ES3040R	Industry	R230118
E9966	Euclid	R230418	ES304L	Industry	R230062
E9967	Euclid	R230422	ES304R	Industry	R230063
E9HZ3111A	Ford	R200273	ES3056	Industry	R230070
E9HZ3111B	Ford	R200275	ES3057	Industry	R230071
E9HZ3111C	Ford	R200280	ES3086L	Industry	R230217
E9TZ3111A	Ford	R200273	ES3087R	Industry	R230218
E9TZ3111B	Ford	R200275	ES3176	Industry	R230408
EDLNL1121	Euclid	NL-112-1	ES3177	Industry	R230409
ER01750	PAI	1229-K-1597	ES3178R	Industry	R230410
ER14190	PAI	1227-Z-780	ES3214R	Industry	R230411
ES150L	Industry	R230002	ES3219L	Industry	R230415
ES150R	Industry	R230003	ES3220R	Industry	R230416
ES176L	Industry	R230004	ES3270L	Industry	R230143
ES176R	Industry	R230005	ES3271R	Industry	R230144
ES187L	Industry	R230060	ES3274L	Industry	R230141
ES187R	Industry	R230061	ES3275R	Industry	R230142
ES2030R	Industry	R230405	ES3283R	Industry	R230418
ES2035L	Industry	R230030	ES3284L	Industry	R230419
ES2036R	Industry	R230031	ES3297R	Industry	R230420
ES2041L	Industry	R230042	ES3298L	Industry	R230421
ES2061L	Industry	R230034	ES3304R	Industry	R230422
ES2062R	Industry	R230035	ES330L	Industry	R230008
ES2069R	Industry	R230036	ES330R	Industry	R230009
ES2070L	Industry	R230037	ES3312R	Industry	R230090
ES2090L	Industry	R230072	ES332L	Industry	R230012
ES2091R	Industry	R230073	ES332R	Industry	R230013
ES2113R	Industry	R230041	ES3442R	Industry	R230145
ES2114R	Industry	R230041	ES3443L	Industry	R230146
ES2115R	Industry	R230041	ES346L	Industry	R230067
ES2116L	Industry	R230042	ES346R	Industry	R230066
ES2118L	Industry	R230043	ES3476	Industry	R230139
ES2200L	Industry	R230074	ES3477	Industry	R230140
ES2201R	Industry	R230075	ES373L	Industry	R230018
ES2203R	Industry	R230051	ES373R	Industry	R230019
ES2204R	Industry	R230073	ES376L	Industry	R230042
ES2208R	Industry	R230077	ES405L	Industry	R230024
ES2209R	Industry	R230073	ES405R	Industry	R230025
ES2210L	Industry	R230072	ES409L	Industry	R230207
ES2218R	Industry	R230225	ES409R	Industry	R230208
ES2224L	Industry	R230040	ES411L	Industry	R230028
ES2225R	Industry	R230056	ES411R	Industry	R230029

CROSS REFERENCE LISTING

NUMBER	SUPPLIER	ARVINMERITOR	NUMBER	SUPPLIER	ARVINMERITOR
ES423L	Industry	R230068	FAK4549	Navistar	R200186
ES423R	Industry	R230069	FAK4550	Navistar	R200188
ES428L	Industry	R230030	FAK4553	Navistar	R200193
ES431L	Industry	R230071	FAK4554	Navistar	R200194
ES431R	Industry	R230070	FAK4555	Navistar	R200195
ES434L	Industry	R230040	FAK4556	Navistar	R200196
F0HZ3304A	Ford	R250105	FAK4558	Navistar	R200198
F0HZ3304E	Ford	R250348	FAK4559	Navistar	R200199
F0HZ3304F	Ford	R250348	FAK4560	Navistar	R201300
F0HZ3304G	Ford	R250095	FAK4561	Navistar	R201303
F0HZ3A130B	Ford	R230030	FAK4563	Navistar	R201306
F0HZ3A130C	Ford	R230035	FAK4564	Navistar	R201307
F0HZ3A130D	Ford	R230117	FAK4565	Navistar	R201308
F0HZ3A131C	Ford	R230034	FAK4566	Navistar	R201309
F0HZ3A131D	Ford	R230118	FAK4567	Navistar	R201310
F0HZ3A131E	Ford	R230031	FAK4568	Navistar	R201312
F0HZ3A131F	Ford	R230030	FAK4570	Navistar	R201315
F1HZ3111A	Ford	R200272	FAK4572	Navistar	R200269
F1HZ3304A	Ford	R250357	FAK5455	Fleetrite	R201426
F1HZ3304B	Ford	R250357	FAK5456	Fleetrite	R201427
F1HZ3304E	Ford	R250359	FAL4549	Navistar	R200186
F1HZ3304F	Ford	R250359	FAL4550	Navistar	R200188
F1HZ3304J	Ford	R250360	FAL4565	Navistar	R201308
F1HZ3304L	Ford	R250349	FKP100C	Flagg	R201309
F1HZ3A130A	Ford	R230408	FKP101B	Flagg	R200251
F1HZ3A131A	Ford	R230409	FKP101C	Flagg	R200251
F2HZ3304C	Ford	R250361	FKP104B	Flagg	R200272
F2HZ3304D	Ford	R250362	FKP105B	Flagg	R200273
F3HZ3A130B	Ford	R230408	FKP106B	Flagg	R200275
F3HZ3A131B	Ford	R230409	FKP107B	Flagg	R200276
F4HZ3304A	Ford	R250395	FKP107C	Flagg	R200276
F5HZ3304A	Ford	R250392	FKP109B	Flagg	R200250
F5HZ3A130B	Ford	R230419	FKP109C	Flagg	R200250
F5HZ3A131B	Ford	R230418	FKP10B	Flagg	R200008
F6HZ3304FB	Ford	R250124	FKP10B15	Flagg	R200009
F6HZ3A130AA	Ford	R230145	FKP110B	Flagg	R200268
F6HZ3A131AA	Ford	R230146	FKP111B	Flagg	R201315
FAK4526	Navistar	R200121	FKP111C	Flagg	R201315
FAK4527	Navistar	R200123	FKP112B	Flagg	R200277
FAK4531	Navistar	R200142	FKP113B	Flagg	R200278
FAK4532	Navistar	R200143	FKP113C	Flagg	R200278
FAK4533	Navistar	R200144	FKP115B	Flagg	R200269
FAK4534	Navistar	R200146	FKP116B	Flagg	R200270
FAK4535	Navistar	R200153	FKP11B	Flagg	R200144
FAK4536	Navistar	R200154	FKP11N	Flagg	R200123
FAK4537	Navistar	R200155	FKP12B	Flagg	R200007
FAK4538	Navistar	R200156	FKP13B	Flagg	R200005
FAK4539	Navistar	R200157	FKP16B	Flagg	R200010
FAK4540	Navistar	R200167	FKP21B	Flagg	R200014
FAK4541	Navistar	R200168	FKP22B	Flagg	R200222
FAK4542	Navistar	R200170	FKP23B	Flagg	R200013
FAK4543	Navistar	R200171	FKP25B	Flagg	R200012
FAK4544	Navistar	R200172	FKP27B	Flagg	R200011
FAK4545	Navistar	R200173	FKP27N	Flagg	R200022
FAK4546	Navistar	R200174	FKP30B	Flagg	R200153
FAK4547	Navistar	R200178	FKP30N	Flagg	R200146

CROSS REFERENCE LISTING

NUMBER	SUPPLIER	ARVINMERITOR	NUMBER	SUPPLIER	ARVINMERITOR
FKP34N	Flagg	R200028	FKP77N	Flagg	R200056
FKP35B	Flagg	R200020	FKP78B	Flagg	R200057
FKP36B	Flagg	R200018	FKP78N	Flagg	R200058
FKP36B10	Flagg	R200019	FKP79B	Flagg	R200061
FKP37B	Flagg	R200172	FKP80B	Flagg	R200060
FKP37B50B	Flagg	R200172	FKP80N	Flagg	R200053
FKP37N	Flagg	R200167	FKP81B	Flagg	R200062
FKP38B	Flagg	R200001	FKP82B15	Flagg	R200004
FKP38B10	Flagg	R200002	FKP83B	Flagg	R200063
FKP39B	Flagg	R200025	FKP8471B	Flagg	R200265
FKP39N	Flagg	R200024	FKP84B	Flagg	R200064
FKP40N	Flagg	R200026	FKP85B	Flagg	R200065
FKP43B	Flagg	R200029	FKP86B	Flagg	R200066
FKP43B10	Flagg	R200266	FKP87B	Flagg	R200069
FKP43N	Flagg	R200028	FKP88B	Flagg	R200068
FKP44B	Flagg	R200031	FKP89B	Flagg	R200067
FKP45B	Flagg	R200032	FKP8B	Flagg	R200003
FKP46B	Flagg	R200143	FKP8B15	Flagg	R200004
FKP46B10	Flagg	R200016	FKP90B	Flagg	R200195
FKP46N	Flagg	R200155	FKP91B	Flagg	R200073
FKP49B	Flagg	R200157	FKP92B	Flagg	R201310
FKP49N	Flagg	R200156	FKP93B	Flagg	R201300
FKP51B	Flagg	R200034	FKP94B	Flagg	R200071
FKP52B	Flagg	R200170	FKP95B	Flagg	R200072
FKP52N	Flagg	R200168	FKP96B	Flagg	R200074
FKP53B	Flagg	R200142	FKP97B	Flagg	R201307
FKP53B10	Flagg	R200021	FKP97C	Flagg	R201307
FKP53N	Flagg	R200154	FKP98B	Flagg	R200267
FKP55B	Flagg	R200037	FKP98C	Flagg	R200267
FKP56B	Flagg	R200041	FKP99C	Flagg	R201312
FKP57B	Flagg	R200040	FTR2200L	Navistar	R230074
FKP57N	Flagg	R200030	FTR2201R	Navistar	R230075
FKP59B	Flagg	R200017	FTR3032R	Navistar	R230095
FKP60B	Flagg	R200035	K125G	Kaiser	R200123
FKP60N	Flagg	R200070	K125G	Kaiser	R200144
FKP61B	Flagg	R200036	K162280	Paccar	R250055
FKP61N	Flagg	R200059	K162311	Paccar	R250056
FKP62B	Flagg	R200199	K162363	Paccar	R250057
FKP64B	Flagg	R200038	K162363	TRW	R250057
FKP67B	Flagg	R200235	K165G	Kaiser	R200146
FKP67N	Flagg	R200047	K165G	Kaiser	R200153
FKP68B	Flagg	R200042	K35F	Kaiser	R200034
FKP68N	Flagg	R200043	K391C	FM / TRW	R200001
FKP69B	Flagg	R200044	K391C+10	FM / TRW	R200002
FKP6B	Flagg	R200006	K401+15	FM / TRW	R200004
FKP6N	Flagg	R200023	K401N	FM / TRW	R200003
FKP70B	Flagg	R200046	K403N	FM / TRW	R200005
FKP70N	Flagg	R200045	K408	FM / TRW	R200006
FKP71B	Flagg	R200198	K431	FM / TRW	R200007
FKP72B	Flagg	R200051	K431+15	FM / TRW	R200219
FKP73B	Flagg	R200050	K432	FM / TRW	R200008
FKP74B	Flagg	R200049	K432+15	FM / TRW	R200009
FKP75B	Flagg	R200052	K448	FM / TRW	R200010
FKP76B	Flagg	R200054	K450	FM / TRW	R200144
FKP77B	Flagg	R200055	K452	FM / TRW	R200010
FKP77B2	Flagg	R200075	K463	FM / TRW	R200011

CROSS REFERENCE LISTING

NUMBER	SUPPLIER	ARVINMERITOR	NUMBER	SUPPLIER	ARVINMERITOR
K466	FM / TRW	R200012	K544B	FM / TRW	R200251
K469	FM / TRW	R200222	K545B	FM / TRW	R200049
K470N	FM / TRW	R200265	K546B	FM / TRW	R200050
K471	FM / TRW	R200013	K547B	FM / TRW	R200198
K472	FM / TRW	R200014	K548B	FM / TRW	R200051
K477	FM / TRW	R200143	K549B	FM / TRW	R200052
K477+10	FM / TRW	R200016	K549B+15	FM / TRW	R200210
K479	FM / TRW	R200017	K550D	FM / TRW	R200053
K480	FM / TRW	R200153	K551B	FM / TRW	R200054
K480D	FM / TRW	R200146	K552B	FM / TRW	R200055
K489	FM / TRW	R200123	K552B+2	FM / TRW	R200075
K493	FM / TRW	R200018	K553D	FM / TRW	R200056
K493+10	FM / TRW	R200019	K554B	FM / TRW	R200057
K495	FM / TRW	R200020	K555D	FM / TRW	R200058
K496	FM / TRW	R200154	K556D	FM / TRW	R200059
K496B	FM / TRW	R200142	K557B	FM / TRW	R200060
K496B+10	FM / TRW	R200021	K558B	FM / TRW	R200061
K499	FM / TRW	R200022	K559B	FM / TRW	R200062
K500	FM / TRW	R200023	K55G	Kaiser	R200045
K501	FM / TRW	R200226	K560B	FM / TRW	R200063
K503	FM / TRW	R200155	K561B	FM / TRW	R200064
K504	FM / TRW	R200167	K562B	FM / TRW	R200065
K506	FM / TRW	R200024	K563B	FM / TRW	R200195
K506B	FM / TRW	R200025	K564B	FM / TRW	R200067
K507	FM / TRW	R200026	K565B	FM / TRW	R200068
K507B	FM / TRW	R200027	K566B	FM / TRW	R200069
K509	FM / TRW	R200028	K567B	FM / TRW	R200066
K509B	FM / TRW	R200029	K568D	FM / TRW	R200070
K509B+10	FM / TRW	R200266	K569B	FM / TRW	R200235
K510B	FM / TRW	R200172	K570B	FM / TRW	R201300
K512D	FM / TRW	R200030	K571B	FM / TRW	R200073
K516	FM / TRW	R200031	K572B	FM / TRW	R200074
K517	FM / TRW	R200032	K573B	FM / TRW	R200072
K517D	FM / TRW	R200033	K574B	FM / TRW	R200071
K524B	FM / TRW	R200034	K575B	FM / TRW	R200234
K526B	FM / TRW	R200157	K576C	FM / TRW	R201307
K526D	FM / TRW	R200156	K582	FM / TRW	R201310
K527B	FM / TRW	R200035	K583	FM / TRW	R201309
K528B	FM / TRW	R200036	K584	FM / TRW	R200267
K529B	FM / TRW	R200037	K585	FM / TRW	R201312
K529D	FM / TRW	R200045	K586	FM / TRW	R200251
K530B	FM / TRW	R200038	K587	FM / TRW	R200272
K531B	FM / TRW	R200039	K588	FM / TRW	R200273
K532B	FM / TRW	R200040	K589	FM / TRW	R200275
K533B	FM / TRW	R200041	K590	FM / TRW	R200276
K534B	FM / TRW	R200199	K591	FM / TRW	R200250
K535B	FM / TRW	R200042	K592	FM / TRW	R200268
K535D	FM / TRW	R200043	K593	FM / TRW	R201315
K538B	FM / TRW	R200044	K594	FM / TRW	R200278
K539D	FM / TRW	R200045	K595	FM / TRW	R200277
K540B	FM / TRW	R200046	K609	FM / TRW	R200269
K541B	FM / TRW	R200170	K60F	Kaiser	R200023
K542D	FM / TRW	R200168	K610	FM / TRW	R200270
K543D	FM / TRW	R200047	K70D	Kaiser	R200143
K543D	FM / TRW	R200235	K70F	Kaiser	R200028
K544	FM / TRW	R200232	K70G	Kaiser	R200024

CROSS REFERENCE LISTING

NUMBER	SUPPLIER	ARVINMERITOR	NUMBER	SUPPLIER	ARVINMERITOR
K901L	Kaiser	R200167	KA290	McQuay	R200036
K95G	Kaiser	R200022	KA291	McQuay	R200199
K970R	Kaiser	R200156	KA292	McQuay	R200156
K970R	Kaiser	R200157	KA293	McQuay	R200157
KA124	McQuay	R200001	KA294	McQuay	R200059
KA12410	McQuay	R200002	KA297	McQuay	R200047
KA127	McQuay	R200006	KA298	McQuay	R200027
KA140	McQuay	R200003	KA299	McQuay	R200049
KA14015	McQuay	R200004	KA300	McQuay	R200050
KA141R	McQuay	R200005	KA301	McQuay	R200051
KA164	McQuay	R200007	KA302	McQuay	R200198
KA16415	McQuay	R200219	KA305	McQuay	R200045
KA168	McQuay	R200008	KA306	McQuay	R200046
KA16815	McQuay	R200009	KA307	McQuay	R200052
KA172	McQuay	R200010	KA308	McQuay	R200061
KA185	McQuay	R200010	KA309	McQuay	R200058
KA205	McQuay	R200226	KA310	McQuay	R200056
KA213	McQuay	R200011	KA311	McQuay	R200043
KA214	McQuay	R200012	KA312	McQuay	R200054
KA216	McQuay	R200222	KA313	McQuay	R200057
KA218	McQuay	R200154	KA314	McQuay	R200055
KA219	McQuay	R200143	KA315	McQuay	R200060
KA226	McQuay	R200013	KA316	McQuay	R200053
KA227	McQuay	R200123	KA317	McQuay	R200044
KA230	McQuay	R200153	KA319	McQuay	R200070
KA234	McQuay	R200017	KA320	McQuay	R200062
KA236	McQuay	R200144	KA321	McQuay	R200195
KA237	McQuay	R200023	KA322	McQuay	R200066
KA239	McQuay	R200155	KA323	McQuay	R200063
KA241	McQuay	R200018	KA324	McQuay	R200064
KA24110	McQuay	R200019	KA325	McQuay	R200065
KA24710	McQuay	R200021	KA326	McQuay	R200067
KA247B	McQuay	R200033	KA327	McQuay	R200069
KA249	McQuay	R200026	KD901R	Kaiser	R200154
KA250	McQuay	R200024	KH901L	Kaiser	R200168
KA254	McQuay	R200020	KP2262	Eaton	R200003
KA256	McQuay	R200167	KP2263	Eaton	R200004
KA258	McQuay	R200022	KP2264	Eaton	R200008
KA264	McQuay	R200028	KP2265	Eaton	R200007
KA265	McQuay	R200031	KP2266	Eaton	R200144
KA266	McQuay	R200032	KP2267	Eaton	R200005
KA268	McQuay	R200039	KP2268	Eaton	R200011
KA269	McQuay	R200025	KP2269	Eaton	R200012
KA270	McQuay	R200030	KP2270	Eaton	R200013
KA272	McQuay	R200035	KP2271	Eaton	R200123
KA274	McQuay	R200014	KP2272	Eaton	R200017
KA277	McQuay	R200168	KP2273	Eaton	R200153
KA278	McQuay	R200170	KP2274	Eaton	R200014
KA279	McQuay	R200042	KP2275	Eaton	R200167
KA280	McQuay	R200034	KP2276	Eaton	R200022
KA281	McQuay	R200029	KP2277	Eaton	R200026
KA282	McQuay	R200142	KP2278	Eaton	R200027
KA283	McQuay	R200037	KP2279	Eaton	R200024
KA284	McQuay	R200040	KP2280	Eaton	R200025
KA287	McQuay	R200041	KP2281	Eaton	R200001
KA288	McQuay	R200038	KP2282	Eaton	R200002

CROSS REFERENCE LISTING

NUMBER	SUPPLIER	ARVINMERITOR	NUMBER	SUPPLIER	ARVINMERITOR
KP2283	Eaton	R200028	KP2340	Eaton	R200074
KP2284	Eaton	R200029	KP2341	Eaton	R200267
KP2285	Eaton	R200031	KP2342	Eaton	R200250
KP2286	Eaton	R200032	KP2343	Eaton	R200062
KP2287	Eaton	R200033	KP2344	Eaton	R200018
KP2288	Eaton	R200154	KP2365	Eaton	R200075
KP2289	Eaton	R200143	KP2366	Eaton	R210252
KP2290	Eaton	R200155	KP2367	Eaton	R210252
KP2291	Eaton	R200157	KP2368	Eaton	R210258
KP2292	Eaton	R200172	KP2370	Eaton	R210204
KP2293	Eaton	R200034	KP2371	Eaton	R210207
KP2294	Eaton	R200142	KP2372	Eaton	R210207
KP2295	Eaton	R200021	KP2373	Eaton	R210208
KP2296	Eaton	R200168	KP2374	Eaton	R210209
KP2297	Eaton	R200170	KP2375	Eaton	R210210
KP2298	Eaton	R200156	KP2376	Eaton	R210211
KP2299	Eaton	R200037	KP2377	Eaton	R210214
KP2300	Eaton	R200041	KP2378	Eaton	R210215
KP2301	Eaton	R200040	KP2379	Eaton	R210218
KP2302	Eaton	R200035	KP2380	Eaton	R210222
KP2303	Eaton	R200070	KP2381	Eaton	R210223
KP2304	Eaton	R200036	KP2382	Eaton	R210227
KP2305	Eaton	R200199	KP2383	Eaton	R210228
KP2306	Eaton	R200039	KP2384	Eaton	R210228
KP2307	Eaton	R200038	KP3130	Eaton	R200251
KP2309	Eaton	R200030	KPS10	Flagg	R210210
KP2310	Eaton	R200047	KPS11	Flagg	R210211
KP2311	Eaton	R200042	KPS12	Flagg	R210214
KP2312	Eaton	R200043	KPS13	Flagg	R210215
KP2313	Eaton	R200044	KPS14	Flagg	R210218
KP2314	Eaton	R200198	KPS15	Flagg	R210222
KP2315	Eaton	R200051	KPS16	Flagg	R210223
KP2316	Eaton	R200050	KPS17	Flagg	R210227
KP2317	Eaton	R200045	KPS18	Flagg	R210228
KP2318	Eaton	R200046	KPS2	Flagg	R210252
KP2319	Eaton	R200049	KPS5	Flagg	R210204
KP2320	Eaton	R200052	KPS7	Flagg	R210207
KP2321	Eaton	R200061	KPS8	Flagg	R210208
KP2322	Eaton	R200054	KPS9	Flagg	R210209
KP2323	Eaton	R200055	KS230	McQuay	R200146
KP2324	Eaton	R200056	L16SU5001A12	FM / TRW	R230081
KP2325	Eaton	R200057	L16SV5051A13	FM / TRW	R230007
KP2326	Eaton	R200058	L17SV5352B12	FM / TRW	R230082
KP2327	Eaton	R200195	L17SV5353B12	FM / TRW	R230081
KP2328	Eaton	R200063	L18RT0633A14	FM / TRW	A-3102-Y-3457
KP2329	Eaton	R200064	L18RT0685A11	FM / TRW	A-3102-W-3455
KP2330	Eaton	R200065	L18RT0688A11	FM / TRW	A-3102-S-3451
KP2331	Eaton	R200066	L18RT0696A11	FM / TRW	A-3102-V-3454
KP2332	Eaton	R200069	L18RT0699A11	FM / TRW	A-3102-X-3456
KP2333	Eaton	R200068	L18RT0700B11	FM / TRW	A-3102-T-3452
KP2334	Eaton	R200067	L18RT0727B11	FM / TRW	A-3102-F-3464
KP2335	Eaton	R200072	L18RT0897A11	FM / TRW	A-3102-Z-3458
KP2336	Eaton	R200071	L18SV5075A11	FM / TRW	R230024
KP2337	Eaton	R200073	L18SV5101A20	FM / TRW	R230073
KP2338	Eaton	R201307	L18SV5150A13	FM / TRW	R230025
KP2339	Eaton	R201300	L20RT0484B11	FM / TRW	A-3102-G-2841

CROSS REFERENCE LISTING

NUMBER	SUPPLIER	ARVINMERITOR	NUMBER	SUPPLIER	ARVINMERITOR
L20RT0485B11	FM / TRW	A-3102-T-2802	L24VT4045A11	FM / TRW	A2-3102-T-3452
L20RT0613A11	FM / TRW	A-3102-K-3365	L24VT5319A11	FM / TRW	A2-3102-Q-3449
L20RT0690B11	FM / TRW	A-3102-A-3849	L24VT5321A11	FM / TRW	A2-3102-S-3451
L20RT0695A11	FM / TRW	A-3102-B-3850	L24VU7050B12	FM / TRW	R250067
L20RT0988A11	FM / TRW	A-3102-R-4282	L24VU7051B12	FM / TRW	R250068
L20SV4000C14	FM / TRW	R230034	L24VU8108A11	FM / TRW	R250124
L20SV4001D12	FM / TRW	R230086	L28SV5000A18	FM / TRW	R230070
L20SV5000A21	FM / TRW	R230085	L28SV5000A39	FM / TRW	R230006
L20SV5001A17	FM / TRW	R230012	L28SV5000B22	FM / TRW	R230009
L20SV5013G13	FM / TRW	R230062	L28SV5000G15	FM / TRW	R230072
L20SV5014D14	FM / TRW	R230084	L28SV5001A18	FM / TRW	R230071
L20SV5014L12	FM / TRW	R230063	L28SV5003A12	FM / TRW	R230067
L20SV5025A11	FM / TRW	R230018	L28SV5003A16	FM / TRW	R230056
L20SV7000A13	FM / TRW	R230042	L28SV5004D1	FM / TRW	R230041
L20SV7025A13	FM / TRW	R230042	L28SV5007A14	FM / TRW	R230066
L20SV7026A13	FM / TRW	R230030	L28SV5015A14	FM / TRW	R230077
L20SV8102B12	FM / TRW	R230143	L28SV5015B12	FM / TRW	R230077
L20SV8103B12	FM / TRW	R230144	L28SV5019A1	FM / TRW	R230040
L20SV8150A13	FM / TRW	R230139	L28SV5041A12	FM / TRW	R230095
L20SV8151A13	FM / TRW	R230140	L28SV5052A1	FM / TRW	R230041
L20VT4046A11	FM / TRW	A1-3102-T-3972	L28SV5111A11	FM / TRW	R230041
L20VT5251B11	FM / TRW	A1-3102-G-1957	L28SV5200A12	FM / TRW	R230073
L20VT8015A11	FM / TRW	A2-3102-F-3464	L28SV5202A1	FM / TRW	R230073
L20VT8016A11	FM / TRW	A2-3102-X-3456	L28SV5203A1	FM / TRW	R230072
L20VT8017A11	FM / TRW	A2-3102-R-3476	L28SV5203A15	FM / TRW	R230019
L20VT8020A11	FM / TRW	A2-3102-Z-3458	L28VT5015A11	FM / TRW	A1-3102-G-2841
L20VT8040A11	FM / TRW	A2-3102-V-3454	L28VT5219A11	FM / TRW	A1-3102-A-3849
L20VT8045A11	FM / TRW	A2-3102-W-3455	L28VT5438A11	FM / TRW	A1-3102-U-4233
L24LV5324A13	FM / TRW	R230002	L28VT5878A11	FM / TRW	A4-3102-P-3370
L24SV4000H11	FM / TRW	R230069	L30RT0003A11	FM / TRW	A-3102-U-4233
L24SV5000A14	FM / TRW	R230060	L32SV0025A12	FM / TRW	R230098
L24SV5000H19	FM / TRW	R230029	L32SV0026A12	FM / TRW	R230099
L24SV5001A13	FM / TRW	R230061	M2300	BWP	R200001
L24SV5001D19	FM / TRW	R230013	M2301	BWP	R200003
L24SV5001D24	FM / TRW	R230004	M2303	BWP	R200007
L24SV5003B14	FM / TRW	R230036	M2304	BWP	R200008
L24SV5005G12	FM / TRW	R230008	M2305	BWP	R200144
L24SV5009F12	FM / TRW	R230060	M2306	BWP	R200011
L24SV5042A14	FM / TRW	R230069	M2307	BWP	R200012
L24SV5042D14	FM / TRW	R230230	M2308	BWP	R200222
L24SV5043A12	FM / TRW	R230068	M2309	BWP	R200123
L24SV5043A14	FM / TRW	R230068	M2310	BWP	R200018
L24SV5044A12	FM / TRW	R230090	M2311	BWP	R200154
L24SV5550A11	FM / TRW	R230003	M2312	BWP	R200142
L24SV5551A11	FM / TRW	R230028	M2313	BWP	R200022
L24SV5750A12	FM / TRW	R230074	M2315	BWP	R200167
L24SV5750A14	FM / TRW	R230074	M2316	BWP	R200024
L24SV5751A12	FM / TRW	R230075	M2317	BWP	R200025
L24SV5751A14	FM / TRW	R230075	M2318	BWP	R200026
L24SV8002B12	FM / TRW	R230141	M2319	BWP	R200027
L24SV8003B13	FM / TRW	R230142	M2320	BWP	R200028
L24SV8100D18	FM / TRW	R230146	M2321	BWP	R200029
L24SV8101E19	FM / TRW	R230145	M2322	BWP	R200172
L24SV8208B12	FM / TRW	R230042	M2323	BWP	R200030
L24SV8209B12	FM / TRW	R230041	M2324	BWP	R200032
L24VT4031A11	FM / TRW	A2-3102-W-3455	M2325	BWP	R200034

CROSS REFERENCE LISTING

NUMBER	SUPPLIER	ARVINMERITOR	NUMBER	SUPPLIER	ARVINMERITOR
M2326	BWP	R200157	M8490T+10	Moog	R200002
M2327	BWP	R200156	M8502B	Moog	R200031
M2328	BWP	R200035	M8503N	Moog	R200033
M2329	BWP	R200039	M8507B10	Moog	R200016
M2330	BWP	R200040	M8517B	Moog	R200034
M2331	BWP	R200199	M8519B10	Moog	R200021
M2332	BWP	R200042	M8557B	Moog	R200038
M2333	BWP	R200043	M8585B	Moog	R200061
M2334	BWP	R200044	M8587N	Moog	R200053
M2335	BWP	R200045	M8591B	Moog	R200003
M2336	BWP	R200170	M8591B15	Moog	R200004
M2337	BWP	R200049	M8615B	Moog	R200071
M2338	BWP	R200050	M8690B	Moog	R200018
M2339	BWP	R200198	M8690B10	Moog	R200019
M2340	BWP	R200051	M98492N	Moog	R200026
M2341	BWP	R200052	PAI9989	PAI	R230068
M2342	BWP	R200054	PC2621603	Perfect Circle	R200268
M2343	BWP	R200055	SM103	Trayer	R210262
M2344	BWP	R200056	SM104	Trayer	R210263
M2345	BWP	R200058	SM105	Trayer	R210266
M2346	BWP	R200063	SM17	Trayer	R210201
M2347	BWP	R200065	SM18	Trayer	R210270
M2348	BWP	R200195	SM2	Trayer	R210252
M2349	BWP	R200068	SM22	Trayer	R210271
M2350	BWP	R200066	SM28	Trayer	R210259
M2351	BWP	R200017	SM29	Trayer	R210254
M2352	BWP	R200168	SM3	Trayer	R210258
M2353	BWP	R200064	SM30	Trayer	R210267
M2354	BWP	R200033	SM35	Trayer	R210206
M2355	BWP	R200004	SM36	Trayer	R210210
M2356	BWP	R200266	SM37	Trayer	R210207
M2357	BWP	R200210	SM38	Trayer	R210211
M2358	BWP	R201300	SM42	Trayer	R210218
M2360	BWP	R200005	SM5	Trayer	R210203
M2362	BWP	R200168	SM56	Trayer	R210204
M2363	BWP	R200143	SM57	Trayer	R210240
M2364	BWP	R200020	SM62	Trayer	R210268
M2366	BWP	R200036	SM64	Trayer	R210202
M2367	BWP	R200037	SM65	Trayer	R210227
M2368	BWP	R200038	SM66	Trayer	R210253
M2369	BWP	R200041	SM71	Trayer	R210225
M2370	BWP	R200046	SM72	Trayer	R210260
M2372	BWP	R200053	SM73	Trayer	R210222
M2373	BWP	R200057	SM74	Trayer	R210255
M2374	BWP	R200059	SM75	Trayer	R210261
M2375	BWP	R200062	SM76	Trayer	R210224
M2376	BWP	R200069	SM80	Trayer	R210223
M2377	BWP	R200070	SM85	Trayer	R210216
M2378	BWP	R200067	SM87	Trayer	R210215
M2379	BWP	R200073	SM88	Trayer	R210269
M2380	BWP	R200074	SM89	Trayer	R210209
M8357N	Moog	R200023	SM9	Trayer	R210200
M8375B15	Moog	R200004	SM90	Trayer	R210208
M8385B15	Moog	R200009	SM91	Trayer	R210214
M8390B	Moog	R200005	SM92	Trayer	R210256
M8441B	Moog	R200219	SM93	Trayer	R210257

CROSS REFERENCE LISTING

NUMBER	SUPPLIER	ARVINMERITOR	NUMBER	SUPPLIER	ARVINMERITOR
SM94	Trayer	R210249	TE2022	Eaton	R230071
SM95	Trayer	R210250	TE2023	Eaton	R230024
SM96	Trayer	R210251	TE2024	Eaton	R230025
SM97	Trayer	R210264	TE2027	Eaton	R230028
SM98	Trayer	R210265	TE2028	Eaton	R230029
SP621013	Dana/Spicer	R200265	TE2029	Eaton	R230068
SP621364	Dana/Spicer	R200144	TE2030	Eaton	R230069
SP621414	Dana/Spicer	R200142	TE2033	Eaton	R230030
SP621421	Dana/Spicer	R200143	TE2034	Eaton	R230031
SP621422	Dana/Spicer	R200123	TE2035	Eaton	R230034
SP621425	Dana/Spicer	R200154	TE2036	Eaton	R230035
SP621431	Dana/Spicer	R200155	TE2037	Eaton	R230037
SP621460	Dana/Spicer	R200146	TE2038	Eaton	R230036
SP621464	Dana/Spicer	R200167	TE2041	Eaton	R230072
SP621476	Dana/Spicer	R200171	TE2042	Eaton	R230073
SP621506	Dana/Spicer	R200157	TE2043	Eaton	R230041
SP621507	Dana/Spicer	R200172	TE2045	Eaton	R230042
SP621512	Dana/Spicer	R200168	TE2047	Eaton	R230421
SP621513	Dana/Spicer	R200170	TE2048	Eaton	R230420
SP621514	Dana/Spicer	R200156	TE2454	Eaton	R230040
SP621515	Dana/Spicer	R200173	TE2456	Eaton	R230056
SP621525	Dana/Spicer	R200199	TK367	Trayer	R200005
SP621554	Dana/Spicer	R200198	TK390	Trayer	R200010
SP621572	Dana/Spicer	R200195	TK406	Trayer	R200011
SP621580	Dana/Spicer	R201300	TK407	Trayer	R200234
SP621583	Dana/Spicer	R201310	TK411	Trayer	R200222
SP621590	Dana/Spicer	R201312	TK412B	Trayer	R200265
SP621592	Dana/Spicer	R201309	TK413	Trayer	R200012
SP621593	Dana/Spicer	R201307	TK417	Trayer	R200014
SP621604	Dana/Spicer	R201315	TK418	Trayer	R200013
SP692041	Dana/Spicer	R230060	TK440	Trayer	R200006
SP692042	Dana/Spicer	R230061	TK443T	Trayer	R200017
SP692234	Dana/Spicer	R230070	TK452	Trayer	R200015
SP692235	Dana/Spicer	R230071	TK465	Trayer	R200020
SP692243	Dana/Spicer	R230068	TK466	Trayer	R200023
SP692244	Dana/Spicer	R230069	TK467	Trayer	R200022
TE2003	Eaton	R230002	TK470	Trayer	R200226
TE2004	Eaton	R230003	TK472	Trayer	R200026
TE2005	Eaton	R230004	TK472B	Trayer	R200027
TE2006	Eaton	R230005	TK473	Trayer	R200024
TE2007	Eaton	R230060	TK473B	Trayer	R200025
TE2008	Eaton	R230061	TK473B+10	Trayer	R200076
TE2009	Eaton	R230006	TK475	Trayer	R200001
TE2010	Eaton	R230007	TK475+10	Trayer	R200002
TE2011	Eaton	R230062	TK483	Trayer	R200028
TE2012	Eaton	R230063	TK483B	Trayer	R200029
TE2013	Eaton	R230008	TK483B+10	Trayer	R200266
TE2014	Eaton	R230009	TK490	Trayer	R200031
TE2015	Eaton	R230012	TK491	Trayer	R200032
TE2016	Eaton	R230013	TK491B	Trayer	R200033
TE2017	Eaton	R230066	TK497+10	Trayer	R200016
TE2018	Eaton	R230067	TK509	Trayer	R200034
TE2019	Eaton	R230018	TK510+10	Trayer	R200021
TE2020	Eaton	R230019	TK518	Trayer	R200037
TE2021	Eaton	R230042	TK519	Trayer	R200041
TE2021	Eaton	R230070	TK520	Trayer	R200040

CROSS REFERENCE LISTING

NUMBER	SUPPLIER	ARVINMERITOR	NUMBER	SUPPLIER	ARVINMERITOR
TK523	Trayer	R200035	TK559	Trayer	R200069
TK523B	Trayer	R200070	TK560	Trayer	R200068
TK524	Trayer	R200036	TK561	Trayer	R200067
TK526	Trayer	R200039	TK562	Trayer	R200018
TK527	Trayer	R200038	TK562+10	Trayer	R200019
TK529	Trayer	R200048	TK565	Trayer	R200072
TK531	Trayer	R200030	TK566	Trayer	R200071
TK532	Trayer	R200047	TK567	Trayer	R200073
TK533	Trayer	R200059	TK571	Trayer	R200074
TK535	Trayer	R200042	TK577	Trayer	R200008
TK535B	Trayer	R200043	TK577+15	Trayer	R200009
TK537	Trayer	R200044	TK578	Trayer	R200007
TK539	Trayer	R200051	TK578	Trayer	R200219
TK540	Trayer	R200050	TK589	Trayer	R200267
TK541	Trayer	R200045	TK592	Trayer	R201600
TK541B	Trayer	R200046	TK594	Trayer	R201601
TK542	Trayer	R200049	TK596	Trayer	R200251
TK544	Trayer	R200232	TK597	Trayer	R200272
TK545	Trayer	R200235	TK598	Trayer	R200273
TK546	Trayer	R200052	TK599	Trayer	R200275
TK546+15	Trayer	R200210	TK600	Trayer	R200276
TK547	Trayer	R200061	TK601	Trayer	R200274
TK548	Trayer	R200054	TK602	Trayer	R200250
TK549	Trayer	R200055	TK603	Trayer	R200268
TK549+2	Trayer	R200075	TK605	Trayer	R200277
TK549B	Trayer	R200056	TK606	Trayer	R200278
TK550	Trayer	R200057	TK608	Trayer	R200271
TK550B	Trayer	R200058	TK609	Trayer	R200269
TK552	Trayer	R200053	TK610	Trayer	R200270
TK552B	Trayer	R200060	TK611	Trayer	R201602
TK553	Trayer	R200062	TK626	Trayer	R201427
TK554	Trayer	R200003	TK635	Trayer	R201426
TK554+15	Trayer	R200004	TK635	Trayer	R201426
TK555	Trayer	R200063	TK636	Trayer	R201427
TK556	Trayer	R200064	TK636	Trayer	R201427
TK557	Trayer	R200065	TK636	Trayer	R201427
TK558	Trayer	R200066	TK637	Trayer	R200280

PART NUMBER SUPERSESSION LISTING

PREVIOUS PART NUMBER	REPLACEMENT PART NUMBER	PREVIOUS PART NUMBER	REPLACEMENT PART NUMBER
5X1301	KIT 1433	2203D3904	R210220
7X38	NLA-No replacement	2208J 348	2208N 820
13X159	1227W1609	2208M 819	2208Y 363
14X27	1227X1610	2208Q 823	3208M1027
19X1060	19X1117	2208R 824	3208N1028
1225Z 234	R210060	2208C 835	NLA-No replacement
1225N 248	R210079	2208R 902	2208N 430
1225J 296	R210061	A2297J3910	NLA-No replacement
1225K 297	R210062	2297T4752	2297T4752S
1225E 317	R210065	2297M6903	3280C9831
1225F 318	R210066	2803G2633	R210272
1225Y 337	R210071	2803H2634	R210273
1225G 345	NLA-No replacement	3100T2100	NLA-No replacement
1225K 349	R210067	3100G2425	NLA-No replacement
1225B 366	R210070	3100Q3657	NLA-No replacement
1225U 437	R210073	3100T3894	NLA-No replacement
1225F 448	R210077	A1-3100D4450	NLA-No replacement
1225W 517	R210063	A1-3100F4452	NLA-No replacement
1225A 521	R210068	3100E5595	NLA-No replacement
1225B 522	R210072	3100T5792	NLA-No replacement
1225C 523	R210076	3100X5796	NLA-No replacement
1225D 524	R210075	3100N6098	NLA-No replacement
1225K 531	R210078	3100E6115	3100P7244S
1225N 534	R210092	3100H6118	3100J7290S
1225G 579	R210080	3100T6156	3100W7303S
1225H 580	R210081	3100F6168	3100H7314S
1225J 738	R210086	3100J6172	3100L7318S
1225V 750	R210074	3100T6182	NLA-No replacement
1225G 761	R210069	3100V6184	NLA-No replacement
1225L 818	R210085	3100J6198	NLA-No replacement
1225V 828	R210083	3100L6200	3100R7324S
1225D 836	R210082	3100L6226	3100T7326S
1225B 938	R210086	3100S6233	NLA-No replacement
1225H 944	R210087	3100X6316	3100T7352S
1225W 985	R210088	A1-3100U6391	NLA-No replacement
1225A1041	R210089	3100N6488	NLA-No replacement
1225E1149	R210096	3100U6495	3100Q7245S
1225V1166	1225C1251	3100G6533	3100P7374S
1225Z1248	R210108	3100U6625	3100A7645S
1225E1253	R210107	3100V6626	3100M7631S
1227L1338	KIT 1327	3100H6638	3100N7398S
1227L1520	1227M1521	3100U6651	3100Y7591S
1227J1544	1227W1609	3100V6652	3100Z7592S
1229S4621	1229G4713	3100W6653	3100E7571S
1244G 423	NLA-No replacement	3100A6657	3100B7594S
2203A 807	R210213	3100T6832	3100D7596S
2203Z2028	R210221	3100P6854	3100V7640S
2203A2835	R210230	3100D6894	NLA-No replacement
2203B2836	R210231	3100H6898	3100F7572S
2203V2856	R210212	3100M6929	3100T7612S
2203D2942	R210225	3100P6932	3100V7614S
2203J3000	R210241	3100Q6933	3100W7615S
2203K3001	R210224	3100R6934	3100X7616S
2203L3002	R210223	3100V6938	3100G7573
2203M3003	R210229	3100P6958	3100J7576S
2203N3004	R210228	3100Q6959	3100N7424S
2203C3903	R210219	3100X6966	3100Z7618S

NLA - No Longer Available

PART NUMBER SUPERSESION LISTING

PREVIOUS PART NUMBER	REPLACEMENT PART NUMBER	PREVIOUS PART NUMBER	REPLACEMENT PART NUMBER
3100Y6967	3100U7639S	A1-3102F3464	A2-3102F3464
3100F6974	3100P7426S	A1-3102G3465	A2-3102G3465
3100V7016	3100A7437S	A1-3102L3470	NLA-No replacement
3100A7021	3100K7577S	A3-3102N3472	A3-3102L4380
3100K7057	3100L7448S	A1-3102P3474	A2-3102P3474
3100Q7063	3100M7449S	A3102J3494	NLA-No replacement
3100Z7098	3100U7457S	A4-3102Y3847	A3-3102Y3847
3100N7112	3100Q7583S	A3102Q3865	A1-3102Q3865
3100Z7150	NLA-No replacement	A1-3102W3871	A1-3102B3876
3100X7174	3100H7626S	A1-3102U4259	A1-3102D4424
3100A7281	NLA-No replacement	A3102P4332	A3102T4284
3100K7447	NLA-No replacement	A1-3102P4332	A1-3102T4284
3100T7482	3100N7866	A2-3102F4348	A2-3102K4379
3100V7484	3100P7868	A3-3102P4384	A4-3102P4384
3100X7486	3100M7865	A1-3102Q4385	A1-3102D4424
3100Q7505	NLA-No replacement	A1-3102Z4446	KIT 1347
3100H7548	3100K7681	A1-3102A4447	A1-3102J4456V
3100F7676	3100E7909	A1-3102J4456	A1-3102J4456V
3100Y7721	FC-921NX-3	A1-3102M4485	A1-3102M4485V
3100C7725	3100N7866	3105Z1040	KIT 1327
3100H7886	3100G7911	3105A1041	KIT 1327
3101B 54	NLA-No replacement	A3106A 157	A3106E 161
3101C 55	NLA-No replacement	A3106D 160	A3106C 159
3101F 58	NLA-No replacement	A45-3111P 718	NLA-No replacement
3101U 177	NLA-No replacement	A3111Q 719	NLA-No replacement
3101W 179	3101D1070	A36-3111Q 719	NLA-No replacement
3101X 180	NLA-No replacement	A3111Y 727	NLA-No replacement
3101S 201	3101N1002	A36-3111Y 727	NLA-No replacement
3101Z1066	3101J1076	A3111Z 728	A4-3111N1080
A3102G1671	NLA-No replacement	A42-3111Z 728	A4-3111N1080
A5-3102Q1707	NLA-No replacement	A3111E 733	NLA-No replacement
C1-3102R1916	NLA-No replacement	A3111K 765	NLA-No replacement
A3102D1928	NLA-No replacement	A3111K 791	NLA-No replacement
A1-3102V1946	NLA-No replacement	A3111S 799	A36-3111S 799
A1-3102C1953	NLA-No replacement	A3111N 846	NLA-No replacement
A3102G1957	A1-3102G1957	A1-3111N 846	NLA-No replacement
A3102U2023	NLA-No replacement	A3111P 848	NLA-No replacement
A9-3102K2325	A11-3102K2325	A3111Q 849	NLA-No replacement
A4-3102H2400	NLA-No replacement	A5-3111Q 849	A3111B3356S
A34-3102H2400	NLA-No replacement	A3111R 850	A3111B3356S
A3102M2509	NLA-No replacement	A5-3111R 850	A3111G3361S
A1-3102S2593	NLA-No replacement	A3111Y 935	A3111G3361S
A1-3102T2802	NLA-No replacement	A3-3111Y 935	A3111B3356S
A3102D2890	A1-3102D2890V	A3111Z 936	A3111B3356S
A1-3102D2890	A1-3102D2890V	A3-3111Z 936	A3111F3360S
A3102C2941	NLA-No replacement	A1-3111G 943	A3111F3360S
A3102D3254	A1-3102D3254	A3111E1019	NLA-No replacement
A1-3102R3450	A2-3102R3450	A31 3111E1019	NLA-No replacement
A1-3102S3451	A2-3102S3451	A3111X1038	NLA-No replacement
A1-3102T3452	A2-3102T3452	A3111M1053	A4-3111X1038
A1-3102U3453	A2-3102U3453	A2-3111M1053	NLA-No replacement
A1-3102W3455	A2-3102W3455	A3111U1061	NLA-No replacement
A3-3102W3455	A2-3102W3455	A3-3111U1061	NLA-No replacement
A1-3102Y3457	A2-3102K4379	A1-3111H1074	NLA-No replacement
A2-3102Y3457	A2-3102K4379	A1-3111Q1109	NLA-No replacement
A1-3102Z3458	A2-3102Z3458	A1-3111T1138	A1-3111X2702
A1-3102A3459	A2-3102A3459	A3111U1139	NLA-No replacement
			NLA-No replacement

NLA - No Longer Available

PART NUMBER SUPERSESSION LISTING

PREVIOUS PART NUMBER	REPLACEMENT PART NUMBER	PREVIOUS PART NUMBER	REPLACEMENT PART NUMBER
A1-3111U1139	NLA-No replacement	A3111N2302	A11-3111N2302
A3111A1145	NLA-No replacement	A3111S2307	Contact Information Services
A5-3111A1145	NLA-No replacement	A14-3111S2307	Contact Information Services
A3111H1256	NLA-No replacement	A3111V2310	A11-3111N2302
A3111T1450	NLA-No replacement	A2-3111V2310	A11-3111N2302
A1-3111T1450	NLA-No replacement	A3111W2311	A263111M2301
A1-3111L1494	NLA-No replacement	A2-3111W2311	A263111M2301
A3111Q1499	NLA-No replacement	A3111Z2340	NLA-No replacement
A1-3111Q1499	NLA-No replacement	A3111R2358	A3-3111P3292
A1-3111Y1507	NLA-No replacement	A2-3111R2358	Contact Information Services
A1-3111C1511	NLA-No replacement	A16 3111R2358	A3-3111P3292
A1-3111D1512	NLA-No replacement	A3111U2361	A1-3111U3271
A1-3111F1800	NLA-No replacement	A1-3111U2361	A1-3111U3271
A3111U1815	NLA-No replacement	A2-3111U2361	A1-3111U3271
A3111Z2028	A1-3111Z2028	A3111J2376	A2-3111E3281
A3111A2029	A1-3111A2029	A3111Q2461	A1-3111C3279
A3111Q2045	A1-3111C3279	3111G2477	3111A2471
A28-3111Q2045	A1-3111C3279	3111H2478	3111B2472
A3111X2052	NLA-No replacement	3111K2481	3111E2475
A3111A2055	NLA-No replacement	3111L2482	3111F2476
A3111P2070	A3-3111P3292	A2-3111Z2496	NLA-No replacement
A1-3111P2070	A3-3111P3292	A3111B2524	A1-3111J3286
A46-3111P2070	A3-3111P3292	A2-3111B2524	A1-3111J3286
A49-3111P2070	A3-3111P3292	A2-3111C2525	A1-3111Z3276
A3111D2084	NLA-No replacement	A14-3111C2525	A1-3111Z3276
A3111A2159	NLA-No replacement	A3111D2526	A1-3111J3286
A3111C2187	A1-3111U3271	A 8 3111D2526	A1-3111J3286
A1-3111C2187	A1-3111U3271	A3111G2529	A1-3111Z3276
A24-3111C2187	A1-3111U3271	A3111R2540	A3111C3019
A43-3111C2187	A1-3111U3271	A1-3111U2595	A4-3111U2595
A 8 3111E2189	A1-3111V3272	A2-3111U2595	A2-3111X3144
A3111F2190	A2-3111E3281	A3-3111U2595	A2-3111X3144
A17-3111F2190	A2-3111E3281	A5-3111U2595	A2-3111X3144
A3111L2196	A3111D2162	A3111Y2599	A1-3111V3272
A1-3111L2196	A1-3111D2162	A19-3111Y2599	A1-3111V3272
A1-3111M2197	A1-3111M2197S	A2-3111Z2600	A1-3111D3280
A1-3111D2214	NLA-No replacement	A5-3111A2601	A1-3111F3282
A3111T2230	A1-3111L3288	A3111G2607	A3111C2915
A3111U2231	NLA-No replacement	A2-3111Y2625	A1-3111D3280
A3111Z2236	NLA-No replacement	A2-3111D2630	A1-3111V3272
A3111P2252	A2-3111P2252	A10-3111D2630	Contact Information Services
A3111H2270	A3-3111P3292	A2-3111E2631	KIT 2688
A3-3111H2270	A3-3111P3292	A2-3111F2632	A1-3111F3282
A3111J2272	A1-3111C3279	A3111R2644	A1-3111V3272
A3-3111J2272	A1-3111C3279	A2-3111S2645	A1-3111F3282
A3111C2291	A1-3111U3271	A2-3111T2646	A1-3111D3280
A3111D2292	A3-3111P3292	A2-3111U2647	A1-3111N3290
A2-3111D2292	A3-3111P3292	A2-3111V2648	A1-3111V3272
A3111G2295	NLA-No replacement	A2-3111X2650	A1-3111B3278
A3111H2296	NLA-No replacement	A2-3111Y2651	A2-3111K3287
A2-3111H2296	NLA-No replacement	A3111F2684	A15-3111H3258
A3111J2298	A21-3111J2298	A1-3111F2684	A15-3111H3258
A1-3111J2298	A21-3111J2298	A3-3111F2684	A15-3111H3258
A3111K2299	A30-3111K2299	A4-3111F2684	A15-3111H3258
A1-3111K2299	A30-3111K2299	A5-3111F2684	A15-3111H3258
A3111L2300	A40-3111L2300	A3111G2685	A5-3111G2685
A3111M2301	A26-3111M2301	A1-3111G2685	A3-3111G2685

NLA - No Longer Available

Contact Information Services 1-888-725-9355

PART NUMBER SUPERSESION LISTING

PREVIOUS PART NUMBER	REPLACEMENT PART NUMBER	PREVIOUS PART NUMBER	REPLACEMENT PART NUMBER
A2-3111G2685	A5-3111G2685	A3111E3359S	A3111B3356S
A3-3111G2685	A5-3111G2685	A3111E3359	A3111B3356S
A4-3111G2685	A5-3111G2685	A3111G3361	A3111G3361S
A3111S2697	A1-3111M3367S	A3111J3364	A3111J3364S
A1-3111S2697	A1-3111M3367S	A3111L3366	A1-3111L3366S
A3111T2698	A1-3111L3366S	A3111M3367	A1-3111M3367S
A1-3111T2698	A1-3111L3366S	A1-3111M3367	A1-3111M3367S
A3111C2863	A2-3111C2863	A3111E3411	A1-3111E3411
A3111D2864	A2-3111D2864	A3111F3412	A1-3111F3412
A4-3111D2864	A5-3111D2864	A3111H3414	A1-3111H3414
A3111E2865	A1-3111R3294	A3111K3495	A3111K3521
A3111Q2877	A3111Q3553	A3111E3593	A3111E3593S
A1-3111Q2877	A3111Q3553	A3111F3594	A3111F3594S
A3111R2878	A1-3111R2878	A3111G3595	A3111G3595S
A3111L2898	A1-3111Y3275	A3111H3596	A3111H3596S
A3111M2899	A1-3111G3283	A3111L3600	A3111L3600S
A3111S2931	A1-3111J3286	A3111M3601	A3111M3601S
A3111G2945	A2-3111C2863	A3111N3602	A3111N3602S
A3111H2946	A3111Y3301	A3111P3604	A3111P3604S
A3111J2948	A2-3111D2864	A3111A3615	A1-3111A3615
A3111K2949	A3111Z3302	A3111B3616	A1-3111B3616
A2-3111L2950	A3111L2950	3133V 308	NLA-No replacement
A3111E2995	A3111B3304	3133J 920	3133J 920K
A3111L3002	A1-3111W3273	3133K 921	3133K 921K
A3111R3008	A1-3111S3295	3133G 995	3133E7311
A3111S3009	A1-3111R3294	3133J 998	Contact Information Services
A3111X3014	A1-3111X3014	3133K 999	Contact Information Services
A3111Z3016	A1-3111Z3016	3133Y1013	3133Y1013K
A3111G3023	A1-3111G3023	3133Z1014	3133Z1014K
A3111E3047	A1-3111E3047	3133F1020	NLA-No replacement
A3111G3075	KIT 1400	3133J1024	3133J1024K
A2-3111T3114	A3111F3542	A3133J1024	A3133J1024K
A2-3111U3115	A3111G3543	3133P1030	3133T6546
A3111W3143	A15-3111W3143	3133Q1031	NLA-No replacement
A1-3111W3143	A15-3111W3143	3133T1034	3133F7312
A3111X3144	A2-3111X3144	3133N1054	3133N1054K
A1-3111X3144	A2-3111X3144	3133P1056	3133P1056K
A3111G3153	A1-3111G3153	3133E1071	3133E1071K
A3111H3154	A1-3111H3154	3133F1072	3133F1072K
A3111E3177	A1-3111T3296	3133G1125	3133M6929
A3111V3220	A3111P3500	3133L1130	NLA-No replacement
A3111W3221	A3111Q3501	3133V1166	3133V1166K
A3111T3244	A3111D3306	3133Y1169	NLA-No replacement
A3111F3256	A3111D3358S	3133B1198	3133B1198K
A3111G3257	A3111H3362S	3133T1216	3133Q7323
A3111H3258	A15-3111H3258	3133F1228	NLA-No replacement
A3111A3277	NLA-No replacement	3133F1254	NLA-No replacement
A1-3111A3277	NLA-No replacement	3133H1256	3133V7510
A1-3111B3278	A2-3111B3278	3133T1268	3133T1268K
A1-3111E3281	A2-3111E3281	3133U1269	3133U1269K
A3111F3282	A1-3111F3282	3133E1279	3133E1279K
A1-3111K3287	A2-3111K3287	3133F1280	3133F1280K
A1-3111P3292	A3-3111P3292	3133G1307	3133G1307K
3111W3325	3111P3552	3133M1339	3133M1339K
A3111B3356	A3111B3356S	3133N1340	3133N1340K
A3111C3357	A3111C3357S	A3133S1345	NLA-No replacement
A3111D3358	A3111D3358S	3133V1348	3133G7313

NLA - No Longer Available

Contact Information Services 1-888-725-9355

PART NUMBER SUPERSESSION LISTING

PREVIOUS PART NUMBER	REPLACEMENT PART NUMBER	PREVIOUS PART NUMBER	REPLACEMENT PART NUMBER
3133U1373	3133U1373K	3133K2689	3133K2689K
3133U1399	3133M6513	3133U2751	3133U2751K
3133V1400	3133N6514	3133Q2773	3133Q2773K
3133V1426	3133L6486K	3133R2800	3133R2800K
3133W1427	3133M6487K	3133U2933	3133U2933K
3133Q1447	3133Q1447K	3133C2967	NLA-No replacement
3133Q1499	NLA-No replacement	3133J3234	KIT 1329
3133S1501	3133S1501K	3133K3235	KIT 1329
3133F1540	3133F1540K	3133W3247	3133W3247K
3133G1541	3133G1541K	3133F3256	3133Q7505
3133U1555	NLA-No replacement	3133W3273	3133W3273K
3133R1604	3133P6516	3133S3373	NLA-No replacement
3133S1605	3133Q6517	3133T3374K	NLA-No replacement
3133N1626	3133H7314	3133T3374	NLA-No replacement
3133W1817	3133W1817K	3133L3444	3133L3444K
3133X1818K	NLA-No replacement	3133M3445	3133M3445K
3133X1818	NLA-No replacement	3133Z3484	3133J7316
3133J1882	3133J1882K	3133M3523	3133M3523K
3133K1883	3133K1883K	3133F3594	3133F3594K
3133F1904F	NLA-No replacement	3133S3685	3133S3685K
3133F1904	NLA-No replacement	3133Q3735	NLA-No replacement
3133K1909	3133J7524	3133F3750	NLA-No replacement
3133R1916	3133Z7436	3133P3760	3133L7110
3133U1971	3133U1971K	3133V3870	3133V3870K
3133Z2002	3133Z2002K	3133X3898K	NLA-No replacement
3133A2003	3133A2003K	3133X3898	NLA-No replacement
3133W2025	3133C6711	3133Y3899K	NLA-No replacement
3133W2103	3133F6662	3133Y3899	NLA-No replacement
3133R2124K	NLA-No replacement	3133E3905	3133E3905K
3133R2124	NLA-No replacement	3133K3937	NLA-No replacement
3133G2139	3133N7554	3133Q3943	NLA-No replacement
3133G2191	3133D7596	3133D4008F	NLA-No replacement
3133Y2287	NLA-No replacement	3133D4008	NLA-No replacement
3133Z2288K	NLA-No replacement	3133P4072	3133P4072K
3133Z2288	NLA-No replacement	3133P4098	NLA-No replacement
3133V2336	3133A7515K	3133W4105	NLA-No replacement
3133J2350	NLA-No replacement	3133H4168	3133Z1014
3133K2403	3133K2403K	3133J4170	3133Y1013
3133L2404	3133W6653	3133L4172	3133L4172K
3133N2406K	NLA-No replacement	3133M4173	3133M4173K
3133S2411	3133S2411K	3133B4188	NLA-No replacement
3133T2412	3133T2412K	3133C4189	NLA-No replacement
3133B2446	NLA-No replacement	3133D4190	3133U6547
3133A2471	3133A2471K	3133F4192	3133Q6673
3133B2472	3133B2472K	3133K4223	NLA-No replacement
3133P2486K	NLA-No replacement	3133M4329	NLA-No replacement
3133P2486	NLA-No replacement	3133T4414	3133T4414K
3133Q2487	3133Q2487K	3133U4415	3133N6696
3133H2504	3133U6677	3133V4416	NLA-No replacement
3133K2507F	3133K2507K	3133K4431	3133G6533
3133K2507	3133K2507F	3133L4432	3133H6534
3133C2551	3133D7336	3133V4468	3133V4468K
3133D2552	3133E7337	3133P4592	NLA-No replacement
3133E2631F	3133E2631K	3133B4604	3133D7440
3133T2672	NLA-No replacement	3133X4626	NLA-No replacement
3133U2673	NLA-No replacement	3133L4640	NLA-No replacement
3133H2686	3133H2686K	3133A4681	3133L7474

NLA - No Longer Available

PART NUMBER SUPERSESION LISTING

PREVIOUS PART NUMBER	REPLACEMENT PART NUMBER	PREVIOUS PART NUMBER	REPLACEMENT PART NUMBER
3133B4682	3133M7449	3133C4969	NLA-No replacement
3133E4685K	NLA-No replacement	3133J4976	3133D6920
3133E4685	NLA-No replacement	3133P4982	3133D7310
3133Z4706	3133P7322	3133T4986	3133Y6681
A3133P4722	NLA-No replacement	3133X4990	3133X4990S
3133D4736	NLA-No replacement	3133F4998	3133F7780
3133P4774	3133P4774K	3133K5003F	3133X7200
3133Q4775	3133Q4775K	3133K5003	3133X7200
3133R4776	3133R4776K	3133U5013	3133A6787
3133S4777	3133S4777K	3133W5015	3133T6936
3133W4807	3133W4807K	3133D5022	3133D5022K
3133Y4809	3133Y4809K	3133H5026	3133H5026K
3133G4817	3133G4817K	3133C5047	3133C5047K
3133M4823	3133M4823K	3133E5049K	NLA-No replacement
3133P4826K	NLA-No replacement	3133E5049	NLA-No replacement
3133P4826	NLA-No replacement	3133N5058F	3133Y7201
3133X4834K	3133X4834	3133N5058	3133Y7201
3133C4839	3133W7459	3133B5072	3133B6788
3133L4848	3133R7558	3133D5074	3133D5074K
3133N4850	3133P7192	3133G5077K	NLA-No replacement
3133Q4853	3133Z6916	3133G5077	NLA-No replacement
3133B4864	3133P6724	3133J5080K	NLA-No replacement
3133F4868	3133K6901	3133J5080	NLA-No replacement
3133Q4879	3133Z7306	3133J5106	NLA-No replacement
3133W4885	3133N6488	3133L5108	3133L5108K
3133F4894	3133A6917	3133M5109	3133M5109K
3133L4900	3133J6536	3133Q5113	3133Q5113K
3133M4901	3133X7590	3133R5114	3133R5114K
3133P4904	3133P4904K	3133T5116	3133T5116K
3133T4908F	3133H7444K	3133U5117	3133U5117K
3133T4908K	3133H7444K	3133V5118	3133V5118K
3133T4908	3133H7444K	3133W5119	3133W5119K
3133U4909	3133R7324	3133X5120	3133X5120K
3133X4912	NLA-No replacement	3133Y5121	3133Y5121K
3133Y4913F	3133Y4913K	3133D5126	3133D5126K
3133Y4913	Contact Information Services	3133K5133	3133K5133K
3133A4915	NLA-No replacement	3133L5134	3133L5134K
3133F4920	3133B6918	3133M5135	3133M5135K
3133H4922	Contact Information Services	3133U5143	3133U5143K
3133J4924	3133J4924K	3133V5144	3133V5144K
3133K4925	3133P7556	3133W5145	3133W5145K
3133S4933	3133W7407	3133X5146	3133X5146K
3133T4934	3133L6902	3133A5149	NLA-No replacement
3133U4935	3133G6611	3133E5179	3133E5179K
3133X4938	3133T7326	3133F5180	3133F5180K
3133Z4940	Contact Information Services	3133H5182	3133H5182K
3133B4942	Contact Information Services	3133K5185	3133K5185K
3133D4944	3133W7589K	3133L5186	3133L5186K
3133F4946F	3133F4946K	3133M5187	3133M5187K
3133H4948	3133B6528	3133N5188	3133S6935
3133P4956	3133C7309	3133Q5191	Contact Information Services
3133V4962	3133C6919	3133U5195	3133K7473
3133X4964	3133T6702	3133V5196	3133L7448
3133Y4965	3133M6903	3133Z5226	3133Q6595
3133A4967	3133D7310	3133D5230	3133K7525
3133B4968F	Contact Information Services	3133N5240	3133N5240K
3133B4968	Contact Information Services	3133T5246F	3133E6921K

NLA - No Longer Available

Contact Information Services 1-888-725-9355

PART NUMBER SUPERSESSION LISTING

PREVIOUS PART NUMBER	REPLACEMENT PART NUMBER	PREVIOUS PART NUMBER	REPLACEMENT PART NUMBER
3133T5246	3133E6921K	3133Q5581	3133Q5581K
3133U5247	Contact Information Services	3133S5583	3133S5583K
3133X5250	KIT 1330	3133R5608	3133G7625
3133Y5251	3133Y5251K	3133X5614	3133X5614K
3133D5282	Contact Information Services	3133Y5615	3133Y5615K
3133J5288	3133J5288K	3133Z5642	3133Z5642K
3133Y5303K	NLA-No replacement	3133A5643	3133A5643K
3133Y5303	NLA-No replacement	3133K5653	3133J7082F
3133B5306	A3133M7475	3133X5666	3133R7012F
3133E5309	3133D7336	3133Z5668	3133S7013F
3133F5310	3133E7337	3133B5670	NLA-No replacement
3133K5315	3133X6732	3133F5674	3133K7083F
3133X5328	3133Q7453	3133H5676	3133S6545F
3133C5333	NLA-No replacement	3133K5679	3133W6887F
3133V5352	3133V5352K	3133M5681	3133G7001F
3133K5367	NLA-No replacement	3133P5684	3133H7002F
3133Q5373	3133V6548	3133S5687	3133L7084
3133S5375F	3133S5375K	3133U5689	3133F7000F
3133S5375	3133S5375F	3133W5691	3133M7085F
3133W5379	3133W5379K	3133X5692	3133R6544F
3133X5380	3133X5380K	3133B5696	3133M6461F
3133A5383	3133G7495	3133F5700	3133P7088F
3133D5386	3133B6528	3133G5701	3133Q7089F
3133K5393	NLA-No replacement	3133S5713	NLA-No replacement
3133L5394K	NLA-No replacement	3133Z5720	3133M7319F
3133L5394	NLA-No replacement	3133R5738	3133S7455
3133M5395	3133M5395K	3133J5756F	NLA-No replacement
3133N5396	3133N5396K	3133J5756	NLA-No replacement
3133P5398F	3133P5398K	3133M5759	3133M5759K
3133U5403	3133U5403K	3133N5760	3133N5760K
3133V5404	3133V5404K	3133Q5763	3133Q5763K
3133A5409	3133X7200	3133G5779	Contact Information Services
3133G5415	3133H6664	3133J5782	NLA-No replacement
3133J5418	3133E6921	3133B5800	3133M6929
3133K5419	NLA-No replacement	3133E5803	3133T7092F
3133U5429	3133U5429K	3133S5817	3133K7005F
3133B5436	3133S7637	3133W5821	3133L7006F
3133F5440	3133N7450	3133B5826	3133U7327F
3133G5441	3133Q7479	3133D5828	3133T7456
3133H5442	3133R7480	3133H5832	3133J6562F
3133N5448	3133N5448K	3133K5835	3133W7095K
3133Q5451	NLA-No replacement	3133L5836	3133Q7011F
3133R5452	3133Z7462	3133T5844K	NLA-No replacement
3133N5474	NLA-No replacement	3133W5847	NLA-No replacement
3133S5479	3133S7845F	3133A5851	3133V7328F
3133Z5486	3133Z5486K	3133Y5875F	3133Y5875K
3133A5487K	NLA-No replacement	3133B5878	3133D7466
3133A5487	NLA-No replacement	3133W5899	3133U6573K
3133Z5512K	3133Z5512	3133D5906	3133Z5642K
3133T5532K	NLA-No replacement	3133E5907	3133A5643K
3133W5535K	3133W5535	3133J5912	3133T7014K
3133N5552	3133Y6577K	3133P5918	3133D7622
3133Q5555K	NLA-No replacement	3133R5920	3133C7621
3133Q5555	NLA-No replacement	3133T5922	3133T5922K
3133S5557	3133Z7488K	3133Z5928	3133L6564
3133B5566	NLA-No replacement	3133A5929	3133P7010K
3133D5568	3133M6461K	3133C5931	3133N7008K

NLA - No Longer Available

Contact Information Services 1-888-725-9355

PART NUMBER SUPERSESSION LISTING

PREVIOUS PART NUMBER	REPLACEMENT PART NUMBER	PREVIOUS PART NUMBER	REPLACEMENT PART NUMBER
3133E5933	3133H6560K	3133D6244	3133D6244K
3133H5936F	3133H5936K	3133G6247	3133G6247K
3133H5936	3133H5936K	3133J6250	3133K6563F
3133J5938	3133E7623	3133M6253	3133S6545F
3133K5939	3133F6922	3133R6258F	3133L7292
3133L5940	3133M7527	3133R6258	3133L7292
3133M5941	NLA-No replacement	3133M6279F	3133L7526
3133D5958	3133D5958K	3133M6279	3133L7526
3133K5965	3133X6862F	3133S6285	3133S6285K
3133F5986	3133A6579	3133R6310	3133L7084
3133H5988	3133D7492	3133L6330	3133G6585
3133L5992	3133L5992K	3133R6336	Contact Information Services
3133M5993	3133M5993K	3133S6337	Contact Information Services
3133P5996	3133V6574K	3133V6340	3133V6340K
3133R5998	3133B6112	3133X6342	3133J6458K
3133S5999	3133Y7097K	3133Z6344	3133Z6344K
3133U6001	NLA-No replacement	3133E6427	3133U7561
3133Y6005	3133Y6005K	3133U6443K	3133U6443
3133D6010	3133T7482	3133W6445K	3133W6445
3133W6029	3133W6029K	3133Y6447K	3133Y6447
3133L6044K	3133K7291K	3133A6449K	3133A6449
3133L6044	3133K7291K	3133C6451K	3133C6451
3133P6048	3133P6048K	3133E6453K	3133E6453
3133Q6049	3133P6542F	3133G6455F	3133G6455K
3133R6050	3133L6486	3133G6455	3133G6455F
3133S6051	3133M6487	3133J6458F	3133J6458K
3133D6062	3133D6062K	3133J6458	3133J6458K
3133E6063	3133E6063K	3133M6461F	3133M6461K
3133R6076F	3133A6527	3133M6461	3133M6461K
3133R6076	3133A6527	3133N6462	NLA-No replacement
3133T6078F	3133N6488	3133P6464	3133Q6595
3133T6078	3133N6488	3133U6469	3133P7192
3133V6080F	3133V6080K	3133B6476	NLA-No replacement
3133V6080	NLA-No replacement	3133C6477	NLA-No replacement
3133Y6083	Contact Information Services	3133L6486	3133L6486K
3133Z6084	Contact Information Services	3133M6487	3133M6487K
3133A6085	3133R6544K	3133N6488	3133N6488K
3133Z6110	3133Z6110K	3133P6490	3133E7337
3133B6112	3133B6112K	3133Q6491	3133D7336
3133C6113	NLA-No replacement	3133R6492	3133R6492K
3133D6114	3133D6114K	3133S6493	3133S6493K
3133E6115	3133G6455K	3133V6496	KIT 1329
3133Q6127	3133Q6127K	3133W6497	KIT 1329
3133X6134	KIT 1338	3133C6503	NLA-No replacement
3133Y6135	KIT 1338	3133E6505K	3133E6505
3133A6137	3133A6137K	3133G6507K	3133G6507
3133S6155	3133S6155K	3133J6510K	3133J6510
3133V6158	3133V6158K	3133L6512K	3133L6512
3133W6159	3133W6159K	3133M6513	3133M6513K
3133Z6162	3133Z7098K	3133N6514	3133N6514K
3133S6181	3133E7337	3133P6516	3133P6516K
3133T6182	3133D7336	3133Q6517	3133Q6517K
3133U6183	KIT 1329	3133R6518	KIT 1330
3133V6184	KIT 1329	3133S6519	KIT 1330
3133L6200	3133L6200K	3133T6520	3133E7337
3133N6202	3133N6202K	3133U6521	3133D7336
3133W6211	3133W6211K	3133V6522	3133V6522K

NLA - No Longer Available

Contact Information Services 1-888-725-9355

PART NUMBER SUPERSESSION LISTING

PREVIOUS PART NUMBER	REPLACEMENT PART NUMBER	PREVIOUS PART NUMBER	REPLACEMENT PART NUMBER
3133W6523	3133W6523K	3133J6640	NLA-No replacement
3133X6524	3133X6524K	3133S6649	3133U7509
3133Y6525	3133Y6525K	3133W6653	3133W6653K
3133A6527	3133A6527K	3133F6662	3133F6662K
3133B6528	3133B6528K	3133G6663	3133G6663K
3133C6529	3133C6529K	3133H6664	3133H6664K
3133G6533	3133G6533K	3133Q6673	3133Q6673K
3133H6534	3133H6534K	3133Y6681	3133Y6681K
3133J6536	3133J6536K	3133C6685K	NLA-No replacement
3133P6542	3133P6542K	3133C6685	NLA-No replacement
3133Q6543F	3133Q6543K	3133T6702	3133T6702K
3133Q6543	3133Q6543K	3133E6713	3133Q7505
3133R6544F	3133R6544K	3133M6721K	NLA-No replacement
3133R6544	3133R6544K	3133M6721	NLA-No replacement
3133S6545F	3133S6545K	3133P6724	3133P6724K
3133S6545	3133S6545F	3133T6728K	NLA-No replacement
3133T6546	3133T6546K	3133T6728	NLA-No replacement
3133U6547	3133U6547K	3133X6732	3133X6732K
3133V6548	3133V6548K	3133Z6734	3133Q7193
3133X6550	NLA-No replacement	3133A6735	3133A6735K
3133Y6551	3133B7464	3133C6737	3133H6560K
3133H6560F	3133H6560K	3133Q6751	3133Q6751K
3133H6560	3133H6560K	3133X6784	3133X6784K
3133J6562F	3133J6562K	3133Y6785K	NLA-No replacement
3133J6562	3133J6562F	3133Y6785	NLA-No replacement
3133K6563F	3133K6563K	3133A6787	3133A6787K
3133K6563	3133K6563F	3133B6788	3133B6788K
3133L6564F	3133L6564K	3133H6794	3133H6794K
3133L6564	3133L6564K	3133K6797F	3133K6797K
3133U6573F	3133U6573K	3133K6797	3133K6797K
3133U6573P	3133U6573F	3133N6800K	3133M7891
3133U6573	3133U6573F	3133N6800	3133M7891
3133V6574F	3133V6574K	3133P6802K	3133L7890
3133V6574	3133V6574F	3133P6802	3133L7890
3133Y6577F	NLA-No replacement	3133V6808F	3133V6808K
3133Y6577K	NLA-No replacement	3133V6808	3133S7845F
3133Y6577	3133Y6577K	3133Y6811F	3133Y6811K
3133Z6578K	NLA-No replacement	3133Y6811	3133Y6811F
3133Z6578	NLA-No replacement	3133X6836	3133X6836K
3133A6579	3133A6579K	3133A6839	3133A6839K
3133B6580	3133B6580K	3133G6845	3133G6845K
3133C6581	3133C6581K	A3133G6845	3133G6845K
3133G6585F	3133F7832F	3133J6848	3133J6848K
3133K6589	3133V7484	3133Q6855F	3133Q6855K
3133M6591	3133M6591K	3133Q6855	3133Q6855K
3133N6592F	3133H7834F	3133X6862	3133X6862K
3133N6592K	3133H7834K	3133L6876F	3133L6876K
3133N6592	3133H7834K	3133L6876	3133L6876F
3133P6594F	NLA-No replacement	3133N6878K	NLA-No replacement
3133P6594K	NLA-No replacement	3133N6878	NLA-No replacement
3133P6594	NLA-No replacement	3133Q6881K	NLA-No replacement
3133Q6595	3133Q6595K	3133Q6881	NLA-No replacement
3133R6596	3133R7454	3133W6887F	3133W6887K
3133G6611	3133G6611K	3133Y6889	NLA-No replacement
3133P6620	3133P7322	3133B6892F	3133B6892K
3133B6632	3133B6632K	3133C6893	NLA-No replacement
3133H6638	NLA-No replacement	3133K6901	3133K6901K

NLA - No Longer Available

PART NUMBER SUPERSESION LISTING

PREVIOUS PART NUMBER	REPLACEMENT PART NUMBER	PREVIOUS PART NUMBER	REPLACEMENT PART NUMBER
3133L6902	3133L6902K	3133T7066	3133Q7167
3133M6903	3133M6903K	3133J7082F	3133J7082K
3133Z6916	3133Z6916K	3133J7082	3133J7082F
3133A6917	3133A6917K	3133K7083F	3133K7083K
3133B6918	3133B6918K	3133L7084F	3133L7084K
3133C6919	3133C6919K	3133L7084	3133L7084K
3133D6920	3133D6920K	3133M7085F	3133M7085K
3133E6921	3133E6921K	3133M7085	3133M7085F
3133F6922	3133F6922K	3133N7086F	3133N7086K
3133H6924	3133H6924K	3133N7086	3133N7086K
3133J6926	3133J6926K	3133P7088F	3133P7088K
3133M6929	3133M6929K	3133P7088	3133P7088K
3133S6935	3133S6935K	3133Q7089F	3133Q7089K
3133T6936	3133T6936K	3133Q7089	3133Q7089K
3133N6956	3133N6956K	3133T7092F	3133T7092K
3133S6961F	NLA-No replacement	3133T7092	3133T7092F
3133S6961K	NLA-No replacement	3133U7093F	3133U7093K
3133E6973	3133W7693K	3133W7095F	3133W7095K
3133F6974	3133X7694K	3133W7095	3133W7095K
3133J6978	KIT 1331	3133Y7097F	3133Y7097K
3133K6979	KIT 1331	3133Z7098F	3133Z7098K
3133N6982	3133X7486	3133Z7098	3133Z7098F
3133P6984	3133H7470	3133B7100F	3133B7100K
3133U6989	3133U6989K	3133B7100	3133B7100F
3133E6999F	3133E6999K	3133D7102	3133D7102K
3133F7000F	3133F7000K	3133E7103F	3133E7103K
3133G7001F	3133G7001K	3133E7103	3133E7103K
3133G7001	3133G7001K	3133F7104	NLA-No replacement
3133H7002F	3133H7002K	3133G7105	NLA-No replacement
3133H7002	3133H7002K	3133L7110	3133L7110K
3133K7005F	3133K7005K	3133M7111	3133M7111K
3133K7005	3133K7005K	3133R7116	3133R7116K
3133L7006F	3133L7006K	3133B7126	3133B7126K
3133L7006	3133L7006F	3133E7129	3133F7624F
3133N7008F	3133N7008K	3133F7130	NLA-No replacement
3133P7010F	3133P7010K	3133J7160	KIT 1341
3133P7010	3133P7010K	3133K7161	KIT 1341
3133Q7011F	3133Q7011K	3133Q7167	3133Q7167K
3133Q7011	3133Q7011F	3133W7173	3133U7457
3133R7012F	3133R7012K	3133X7174F	3133X7174K
3133R7012	3133R7012K	3133X7174	3133X7174K
3133S7013F	3133S7013K	3133C7179	3133Y7357F
3133S7013	3133S7013K	3133D7180F	3133L7084F
3133T7014F	3133T7014K	3133D7180	3133L7084F
3133T7014	3133T7014F	3133F7182	3133F7182K
3133J7030K	3133J7030	3133H7184K	3133H7184
3133Q7037K	3133Q7037	3133J7186K	3133J7186
3133S7039K	3133S7039	3133N7190	3133E7467
3133D7050	3133C7465	3133P7192	3133P7192K
3133J7056F	NLA-No replacement	3133Q7193	3133Q7193K
3133J7056K	NLA-No replacement	3133R7194F	NLA-No replacement
3133J7056	NLA-No replacement	3133R7194	NLA-No replacement
3133K7057F	3133K7057K	3133S7195	3133S7195K
3133K7057	3133K7057K	3133T7196	3133T7196K
3133P7062	3133P7062K	3133V7198	3133A7203
3133Q7063F	3133Q7063K	3133X7200	3133X7200K
3133Q7063	3133Q7063K	3133Y7201	3133Y7201K

NLA - No Longer Available

PART NUMBER SUPERSESSION LISTING

PREVIOUS PART NUMBER	REPLACEMENT PART NUMBER	PREVIOUS PART NUMBER	REPLACEMENT PART NUMBER
3133A7203	3133A7203K	3133D7336	3133D7336K
3133D7206K	3133S7195K	3133E7337	3133E7337K
3133D7206	3133S7195K	3133F7338	3133H7340K
3133E7207	3133T7196K	3133G7339	3133J7342K
3133F7208	3133W7485	3133H7340	3133H7340K
3133H7210	3133N7476	3133J7342	3133J7342K
3133L7214	3133L7214K	3133K7343	3133M7345K
3133M7215	3133M7215K	3133L7344	3133N7346K
3133M7241	3133Z7332	3133M7345	3133M7345K
3133R7246	3133H7444K	3133N7346	3133N7346K
3133P7270	3133P7270K	3133P7348	3133R7350K
3133T7274	3133T7274K	3133Q7349	3133S7351K
3133U7275F	3133U7275K	3133R7350	3133R7350K
3133U7275	3133U7275F	3133S7351	3133S7351K
3133V7276	3133U7275F	3133V7354	3133V7354K
3133F7286	3133F7468	3133W7355	3133W7355K
3133H7288F	3133H7288K	3133X7356	3133X7356K
3133H7288	3133H7288K	3133Y7357F	3133Y7357K
3133K7291	3133K7291K	3133Y7357	3133Y7357K
3133L7292	3133L7292K	3133A7359F	3133A7359K
3133M7293	3133M7293K	3133M7371	3133M7371K
3133N7294F	3133N7294K	3133Q7375K	NLA-No replacement
3133P7296	3133P7296K	3133Q7375	NLA-No replacement
3133Q7297	3133Q7297K	3133R7376	3133R7376K
3133R7298F	3133R7298	3133V7380F	3133V7380K
3133U7301K	3133U7301	3133X7382	3133X7382K
3133W7303K	3133W7303	3133Z7384	3133Z7384K
3133X7304	3133X7304K	3133S7403F	3133S7403K
3133Y7305	3133G7469	3133S7403	3133S7403K
3133Z7306	3133Z7306K	3133U7405K	NLA-No replacement
3133A7307	3133A7307K	3133U7405	NLA-No replacement
3133B7308	3133B7308K	3133V7406	3133V7406K
3133C7309	3133C7309K	3133W7407	3133W7407K
3133D7310	3133D7310K	3133Y7435F	3133Y7435K
3133E7311	3133E7311K	3133Y7435	3133Y7435F
3133F7312	3133F7312K	3133Z7436	3133Z7436K
3133G7313	3133G7313K	3133A7437	3133A7437K
3133H7314	3133H7314K	3133D7440	3133D7440K
3133J7316	3133J7316K	3133H7444	3133H7444K
3133K7317	3133K7317K	3133J7446	3133J7446K
3133L7318	3133L7786	3133L7448	3133L7448K
3133M7319F	3133M7319K	3133M7449	3133M7449K
3133N7320F	3133N7320	3133N7450	3133N7450K
3133N7320	3133N7320K	3133Q7453	3133Q7453K
3133P7322	3133P7322K	3133R7454	3133R7454K
3133Q7323	3133Q7323K	3133S7455	3133S7455K
3133R7324	3133R7324K	3133T7456	3133T7456K
3133S7325	3133S7325K	3133U7457	3133U7457K
3133T7326	3133T7326K	3133V7458	3133V7458K
3133U7327F	3133U7327K	3133W7459	3133W7459K
3133V7328F	3133V7328K	3133X7460	3133X7460K
3133W7329	3133W7329K	3133Z7462	3133Z7462K
3133X7330	3133X7330K	3133A7463	3133A7463K
3133Z7332	3133Z7332K	3133B7464	3133B7464K
3133A7333F	3133A7333K	3133C7465	3133C7465K
3133B7334	3133D7336K	3133D7466	3133D7466K
3133C7335	3133E7337K	3133E7467	3133E7467K

NLA - No Longer Available

PART NUMBER SUPERSESION LISTING

PREVIOUS PART NUMBER	REPLACEMENT PART NUMBER	PREVIOUS PART NUMBER	REPLACEMENT PART NUMBER
3133F7468	3133F7468K	3133Y7591	3133Y7591K
3133G7469	3133G7469K	3133Z7592	3133Z7592K
3133H7470	3133H7470K	3133A7593	3133A7593K
3133K7473	3133K7473K	3133B7594	3133B7594K
3133L7474	3133L7474K	3133B7594	3133B7594K
3133M7475	A3133M7475	3133D7596	3133D7596K
A3133M7475	3133M7475K	3133G7599	3133G7599K
3133N7476	3133N7476K	3133K7603	3133K7603K
3133Q7479	3133Q7479K	3133L7604	3133L7604K
3133R7480	3133R7480K	3133M7605	3133M7605K
3133S7481	3133S7481K	3133N7606	3133N7606K
3133T7482	3133T7482K	3133Q7609	3133Q7609K
3133U7483K	NLA-No replacement	3133R7610	3133N7606K
3133U7483	NLA-No replacement	3133S7611	3133M7605K
3133W7485	3133W7485K	3133T7612	3133K7603K
3133X7486	3133X7486K	3133U7613	3133L7604K
3133Z7488F	3133Z7488K	3133A7619	3133A7619K
3133Z7488	3133Z7488K	3133C7621	3133C7621K
3133A7489	3133A7489K	3133D7622	3133D7622K
3133D7492	3133D7492K	3133E7623	3133E7623K
3133E7493	3133E7493K	3133F7624F	3133F7624K
3133G7495K	NLA-No replacement	3133F7624	3133F7624F
3133G7495	NLA-No replacement	3133G7625	3133G7625K
3133L7500	3133L7500K	3133L7630	3133L7630K
3133P7504	A3133P7504	3133M7631	3133M7631K
3133U7509	3133U7509K	3133Q7635F	3133Q7635K
3133V7510	3133V7510K	3133R7636	3133R7636K
3133W7511	3133W7511K	3133U7639F	3133U7639K
3133X7512	3133X7512K	3133U7639K	3133K7291K
3133Y7513	3133Y7513K	3133U7639	3133U7639K
3133Z7514	3133Z7514K	3133V7640	3133V7640K
3133A7515	3133A7515K	3133W7641F	3133W7641K
3133B7516K	NLA-No replacement	3133N7658	3133N7658K
3133C7517K	NLA-No replacement	3133P7660	3133P7660K
3133C7517	NLA-No replacement	3133T7664	3133T7664K
3133J7524	3133J7524K	3133W7667	3133W7667K
3133K7525	3133K7525K	3133S7689	3133S7689K
3133L7526	3133L7526K	3133W7693	3133W7693K
3133M7527	3133M7527K	3133X7694	3133X7694K
3133H7548	3133H7548K	3133Z7696F	3133Z7696K
3133J7550K	3133P7192K	3133Z7696	3133Z7696F
3133J7550	3133P7192	3133K7707	3133K7707K
3133L7552	3133L7552K	3133L7708K	A3133H7860
3133M7553K	NLA-No replacement	3133L7708	A3133H7860
3133M7553	NLA-No replacement	3133M7709	3133M7709K
3133N7554	3133N7554K	3133Q7713	3133Q7713K
3133P7556	3133P7556K	3133R7714	3133R7714K
3133U7561K	3133A7827	3133V7718	3133V7718K
3133U7561	3133A7827	3133W7719K	3133W7849
3133Y7565	3133Y7565K	3133W7719	3133W7849
3133A7567	3133A7567K	3133Z7722	3133Z7722K
3133B7568	3133B7568K	3133N7736F	3133N7736K
3133C7569	3133C7569K	3133N7736	3133N7736F
3133H7574	3133H7574K	3133F7754F	3133F7754K
3133J7576	3133J7576K	3133F7754	3133F7754K
3133V7588	3133V7588K	3133F7780	3133F7780K
3133W7589	3133W7589K	3133G7781	3133L7786

NLA - No Longer Available

PART NUMBER SUPERSESSION LISTING

PREVIOUS PART NUMBER	REPLACEMENT PART NUMBER	PREVIOUS PART NUMBER	REPLACEMENT PART NUMBER
3133L7786	3133L7786K	A2-3144M 273	R230074
3133Q7791K	3133Q7791	A2-3144N 274	R230075
3133R7792K	3133R7792	A3144J 296	R230070
3133U7795K	3133U7795	A1-3144J 296	R230067
3133V7796K	3133V7796	A3144K 297	R230071
3133A7801F	3133A7801K	A3144M 351	R230082
3133A7801	3133A7801F	A3144N 352	R230081
3133B7802F	3133B7802K	A3144R 356	NLA-No replacement
3133B7802	3133B7802F	A3144S 357	NLA-No replacement
3133E7805F	3133E7805K	A1-3144F 370	R230077
3133E7805	3133E7805F	A3144U 385	R230062
3133J7810	3133J7810K	A2-3144U 385	R230085
3133N7814	A3133N7814	A3144V 386	R230063
3133P7816F	3133P7816K	A2-3144V 386	R230084
3133P7816	3133P7816F	A3144C 393	R230071
3133R7818F	3133R7818K	A3144D 394	R230070
3133R7818	3133R7818F	A3144U 437	R230092
3133G7833	3133G7833F	A3144Y 441	R230087
3133H7834F	3133H7834K	A3144Z 442	R230086
3133R7844F	A3133R7844F	A3144F 448	R230073
3133H7860	A3133H7860	A3144G 449	R230072
3133K7863	A3133K7863	A3144N 456	R230068
3133C7881	A3133C7881	A3144P 458	R230069
3133P7894	3133P7894K	A3144Q 459	R230090
3133Q7895	3133Q7895K	A3144V 516	R230098
3133G7911	A3133G7911	A3144W 517	R230099
3133K7941	3133K7941K	A3144D 524	R230069
3133C7985F	3133C7985K	A3144E 525	R230068
3133C7985	3133C7985K	A3144F 526	R230090
3133T8002	A3133T8002	A3144M 533	R230074
3133Q8051	3133Q8103	A3144N 534	R230075
3133R8052	3133R8104	A3144Z 546	R230073
3133E8091	3133E8091F	A3144A 547	R230072
3133H8120	3133H8120F	A3144D 550	R230104
3133U8133	3133C8141	A3144E 551	R230095
3133V8134	3133D8142	A3144F 552	R230230
3133W8135	3133E8143	A3144G 553	R230241
3133X8136	3133F8144	A1-3144F1020	A3144Y1091
3133M8177	3133M8177F	A1-3144G1021	A3144Y1091
3133G8223	3133G8223F	A3144H1022	R230098
3133J8226	3133J8226F	A3144J1024	R230099
3133L8228	3133L8228F	A3144B1068	A3144Y1091
3133N8230	3133N8230F	A3144C1069	A3144X1090
3133H8250	3133H8250F	A3144H1074	R230129
3133C8297	3133C8297F	A3144J1076	R230130
3133B8348	3133E6921K	A3144V1088	R230132
3144P 146	NLA-No replacement	A3144W1089	R230131
A1-3144J 166	NLA-No replacement	A3144N1132	R230127
A1-3144K 167	NLA-No replacement	A3144P1134	R230128
A3144U 177	R230101	A3144Q1135	R230137
A3144V 178	R230100	A3144R1136	R230138
A2-3144J 192	R230088	A3144S1137	R230133
A2-3144K 193	R230060	A3144T1138	R230134
A3144Q 225	R230060	A3144W1141	R230135
A3144R 226	R230061	A3144X1142	R230136
A3144C 237	R230066	3150Y2131	3150K2195
A3144D 238	R230067	3150Z2132	3150L2196

NLA - No Longer Available

PART NUMBER SUPERSESSON LISTING

PREVIOUS PART NUMBER	REPLACEMENT PART NUMBER	PREVIOUS PART NUMBER	REPLACEMENT PART NUMBER
3213B1328	3213X1870	FG-941NX-37	FG-941NX-110
3262W 75	3262V1244	FG-941NX-97	FG-941NX-633
A3262N 222	NLA-No replacement	FG-941NX-119	FG-941NX-611
A3262Q 277	A3262J1258	FG-941NX-156	FG-941NX-603
A3262C 315	A3262B1016	FG-941NX-624	FG-941NX-663
3262E1253	A3262A1275	FG-941QX-721	FG-941LX-51
A3262W1349	A3262A1353	FG-943NX-22	FG-943NX-608
3266X1116	3266W1271	FG-943NX-40	FG-943NX-608
3280X9748	3280E9833	FG-941NX-36	FG-941NX-611
A3299R4750	NLA-No replacement	FH-945CAX-5	FH-945CAX-11
A3897A1691	A3897T1788	FH-945CAX-9	FH-945CAX-11
7843 3303024	120MF297	FL-931NX-122	FL- 941NX-28
17100RDCX-3	17100RDC-11	FL-941NX-25	NLA-No replacement
CFG-3675NX-14	CFG-3675NX- 22	FL-941NX-128	FL-941NX-303
CFG-3675NX-15	CFG-3675NX-17	FL-941NX-138	FL-941NX-315
CFG-3675NX-16	CFG-3675NX- 22	FL-951NX-2	FL-951NX-27
CFG-3675NX-28	CFG-3675NX-38	FL-951NX-3	FL-951NX-11
CFG-3675NX-29	CFG-3675NX-39	FL-951RDAX-17	FL-951RDAX-43
CFG-3675NX-33	CFG-3675NX-43	FU-910PX-35	FU-910PX-67
CFG-5000NX-20	CFG-5000NX-43	KIT 101	NLA-No replacement
CFG-5000NX-21	CFG-5000NX-46	KIT 106	NLA-No replacement
CFG-5000NX-24	CFG-5000NX-47	KIT 108	NLA-No replacement
CFG-5000NX-34	CFG-5000NX-45	KIT 110	NLA-No replacement
CFG-5000NX-35	CFG-5000NX-43	KIT 111	NLA-No replacement
CFG-5000NX-36	CFG-5000NX-46	KIT 121	R200121
CFG-5000NX-37	CFG-5000NX-47	KIT 122	R200122
CFG-5000NX31	CFG-5000NX-51	KIT 123	R200123
CFG-6610NX-18	CFG-6610NX-27	KIT 126	NLA-No replacement
CFG-6610NX-19	CFG-6610NX-26	KIT 129	NLA-No replacement
CFG-6610NX-21	CFG-6610NX-24	KIT 136	R200136
FC-921CHX-1	NLA-No replacement	KIT 139	R200143
FC-921CHX-2	NLA-No replacement	KIT 141	R200141
FF-931NX-114	FF-941NX-623	KIT 142	R200142
FF-931NX-133	FF-941NX-642	KIT 143	R200143
FF-932QX-49	FF-942QX-606	KIT 144	R200144
FF-933NX-20	FF-943NX-626	KIT 146	R200146
FF-941NX-55	FF-941NX-609	KIT 153	R200153
FF-941NX-63	FF-941NX-629	KIT 154	R200154
FF-941NX-64	FF-941NX-630	KIT 155	R200155
FF-941NX-67	FF-941NX-623	KIT 156	R200156
FF-941NX-72	FF-941NX-625	KIT 157	R200157
FF-941NX-74	FF-941NX-36	KIT 167	R200167
FF-941NX-77	FF-941NX-643	KIT 168	R200168
FF-941NX-78	FF-941NX-624	KIT 170	R200170
FF-941NX-93	FF-941NX-670	KIT 171	R200171
FF-941NX-121	FF-941NX-604	KIT 172	R200172
FF-941NX-601	FF-941NX-670	KIT 173	R200173
FF-942NX-4	FF-942NX-601	KIT 174	R200174
FF-942QX-606	FF-942QX-637	KIT 178	R200178
FF-943NX-14	FF-943NX-603	KIT 186	R200186
FF-943NX-20	FF-943NX-626	KIT 188	R200188
FF-943NX-611	FF-943NX-666	KIT 189	R200189
FF-943NX-636	FF-943NX-667	KIT 190	R200172
FF-961NX-3	FF-961NX-209	KIT 192	NLA-No replacement
FF-961NX-9	FF-961NX-37	KIT 193	R200193
FF-961NX-10	FF-961NX-38	KIT 194	R200194
FF-961NX-25	FF-961NX-205	KIT 195	R200195

NLA - No Longer Available

PART NUMBER SUPERSESSION LISTING

PREVIOUS PART NUMBER	REPLACEMENT PART NUMBER	PREVIOUS PART NUMBER	REPLACEMENT PART NUMBER
KIT 196	R200196	R210269	R210208
KIT 197	NLA-No replacement	R210270	R210207
KIT 198	R200198	R210271	R210258
KIT 199	R200199	R230011	NLA-No replacement
KIT 1300	R201300	R230014	NLA-No replacement
KIT 1303	R201303	R230022	R230042
KIT 1306	R201306	R230023	R230041
KIT 1307	R201307	R230038	NLA-No replacement
KIT 1308	R201308	R230050	R230073
KIT 1309	R201309	R230052	R230073
KIT 1310	R201310	R230053	NLA-No replacement
KIT 1312	R201312	R230055	R230072
KIT 1313	R201310	R230064	NLA-No replacement
KIT 1314	R201314	R230065	NLA-No replacement
KIT 1315	R201315	R230076	R230066
KIT 1318	R201318	R230089	R230060
KIT 1319	R201319	R230093	R230070
KIT 1342	KIT 1330	R230094	R230071
KIT 1343	KIT 1330	R230096	NLA-No replacement
KIT 1344	KIT 1330	R230097	NLA-No replacement
KIT 1419	R201419	R230102	R230073
KIT 1421	R201421	R230103	R230072
KIT 1423	A3262A1275	R230114	R230070
KIT 1427	KIT 3030	R230115	R230071
KIT 1429	KIT 1440	R230122	NLA-No replacement
KIT 2689	NLA-No replacement	R230213	R230072
KIT 5106	KIT 5102	R230214	R230073
KIT 7082	A4-3111N1080	R230234	NLA-No replacement
KIT 7083	NLA-No replacement	R230240	R230230
MPS 3226A	NLA-No replacement	R230246	R230421
MPS 3634	NLA-No replacement	R230247	R230420
MPS 3982	NLA-No replacement	R230400	NLA-No replacement
R10730	NLA-No replacement	R230406	NLA-No replacement
R200048	NLA-No replacement	R230407	R230095
R200110	NLA-No replacement	R230516	NLA-No replacement
R200126	NLA-No replacement	R230521	NLA-No replacement
R200190	R200172	R230522	NLA-No replacement
R200197	NLA-No replacement	R230529	NLA-No replacement
R200300	R201602	R230531	NLA-No replacement
R201423	A3262A1275	R230534	NLA-No replacement
R201472	R201419	R230535	NLA-No replacement
R210084	NLA-No replacement	R230543	NLA-No replacement
R210095	R210057	R240227	NLA-No replacement
R210200	R210252	R250004	NLA-No replacement
R210201	R210252	R250016	NLA-No replacement
R210202	R210258	R250059	NLA-No replacement
R210203	R210258	R250086	NLA-No replacement
R210206	R210207	R250087	NLA-No replacement
R210250	R210225	R250090	NLA-No replacement
R210256	R210254	R250092	NLA-No replacement
R210257	R210254	R250094	NLA-No replacement
R210260	R210211	R250097	R250037
R210261	R210259	R250102	NLA-No replacement
R210262	R210264	R250108	NLA-No replacement
R210263	R210265	R250109	NLA-No replacement
R210266	R210214	R250110	NLA-No replacement
R210268	R210252	R250111	NLA-No replacement

NLA - No Longer Available

PART NUMBER SUPERSESSION LISTING

PREVIOUS PART NUMBER	REPLACEMENT PART NUMBER	PREVIOUS PART NUMBER	REPLACEMENT PART NUMBER
R250114	NLA-No replacement	R250525	NLA-No replacement
R250115	NLA-No replacement	R250527	NLA-No replacement
R250116	NLA-No replacement	R250528	NLA-No replacement
R250118	NLA-No replacement	R250531	NLA-No replacement
R250119	NLA-No replacement	R250533	NLA-No replacement
R250121	NLA-No replacement	R250534	NLA-No replacement
R250122	NLA-No replacement	R250539	NLA-No replacement
R250123	NLA-No replacement	R260005	NLA-No replacement
R250311	NLA-No replacement	R260100	NLA-No replacement
R250313	NLA-No replacement	R260103	NLA-No replacement
R250315	NLA-No replacement	R260104	NLA-No replacement
R250318	NLA-No replacement	R260107	NLA-No replacement
R250328	NLA-No replacement	R260119	NLA-No replacement
R250350	NLA-No replacement	R260120	NLA-No replacement
R250371	NLA-No replacement	R270019	NLA-No replacement
R250386	NLA-No replacement	S-254-1	S-254-2
R250389	NLA-No replacement	S-255-1	S-255-2
R250393	NLA-No replacement	S-256-1	S-256-2
R250397	NLA-No replacement	S-259-1	S-259-2
R250398	NLA-No replacement	S-267-1	S-267-2
R250507	NLA-No replacement	S-788S	10X1323
R250518	NLA-No replacement	S-1650-1	S-1650-2
R250524	NLA-No replacement	WA15C	WA15Z



MERITOR™

an *ArvinMeritor* brand

NLA - No Longer Available

Numercial Parts Listing

PART NUMBER	PAGE	PART NUMBER	PAGE	PART NUMBER	PAGE
7-X-8	1-15	2297-F-6402	1-12	A-3102-R-4282	1-18
7-X-9	1-15	A1-3102-G-1957	1-18	A1-3102-R-4282	1-18
7-X-10	1-15	A1-3102-B-1978	1-18	A-3102-T-4284	1-18
7-X-65	1-15	A-3102-T-2802	1-18	A1-3102-T-4284	1-18
7-X-66	1-15	A-3102-G-2841	1-18	A-3102-X-4288	1-18
7-X-67	1-15	A1-3102-G-2841	1-18	A1-3102-X-4288	1-18
7-X-68	1-15	A1-3102-D-2890	1-19	A2-3102-X-4288	1-18
7-X-69	1-15	A-3102-M-2899	1-18	A-3102-C-4293	1-19
7-X-70	1-15	A1-3102-M-2899	1-18	A1-3102-C-4293	1-19
7-X-71	1-15	A-3102-K-3365	1-19	A-3102-V-4312	1-19
7-X-72	1-15	A4-3102-K-3365	1-19	A2-3102-V-4312	1-19
7-X-73	1-15	A-3102-P-3370	1-19	A-3102-K-4379	1-19
7-X-111	1-15	A4-3102-P-3370	1-19	A2-3102-K-4379	1-19
7-X-112	1-15	A-3102-Q-3449	1-18	A-3102-L-4380	1-19
7-X-113	1-15	A2-3102-Q-3449	1-18	A2-3102-L-4380	1-19
7-X-114	1-15	A-3102-R-3450	1-18	A3-3102-L-4380	1-19
7-X-125	1-15	A2-3102-R-3450	1-18	A-3102-R-4438	1-19
7-X-1002	1-15	A-3102-S-3451	1-18	A1-3102-R-4438	1-19
7-X-1003	1-15	A2-3102-S-3451	1-18	A-3102-S-4517	1-18
7-X-1010	1-15	A-3102-T-3452	1-18	A1-3102-S-4517	1-18
7-X-1011	1-15	A2-3102-T-3452	1-18	A1-3102-H-4532	1-19
7-X-1015	1-15	A-3102-V-3454	1-18	A-3102-J-4534	1-19
A-10-X-468	1-14	A2-3102-V-3454	1-18	A1-3102-J-4534	1-19
A-10-X-908	1-14	A-3102-W-3455	1-18	A-3102-K-4535	1-19
10-X-1323	1-26	A2-3102-W-3455	1-18	A1-3102-K-4535	1-19
10-X-1592	1-26	A-3102-X-3456	1-18	3208-M-1027	1-13
13-X-163	1-26	A2-3102-X-3456	1-18	3208-N-1028	1-13
1199-J-1258	1-12	A-3102-Y-3457	1-19	3208-D-1070	1-13
1199-H-1672	1-12	A-3102-Z-3458	1-19	3280-L-9762	1-13
1199-W-1687	1-12	A2-3102-Z-3458	1-19	A-3280-L-9762A	1-13
1199-Y-2027	1-12	A-3102-F-3464	1-18	3280-C-9831	1-13
1199-V-3220	1-12	A2-3102-F-3464	1-18	3280-E-9833	1-13
1199-M-3237	1-12	A-3102-G-3465	1-19	3299-B-1874	1-25
1225-H-1074	1-9	A2-3102-G-3465	1-19	3299-S-2775	1-25
1225-P-1264	1-9	A-3102-N-3472	1-19	3299-P-4072	1-25
1225-B-1328	1-9	A2-3102-N-3472	1-19	3299-F-4530	1-25
1225-C-1329	1-9	A-3102-P-3474	1-19	3299-H-4532	1-25
1227-F-136	1-14	A2-3102-P-3474	1-19	K-2412	1-25
1227-R-434	1-14	A-3102-R-3476	1-18	K-2414	1-25
1227-S-435	1-14	A2-3102-R-3476	1-18	K-2614	1-25
1227-Z-780	1-15	A-3102-Z-3484	1-19	K-2616	1-25
1227-W-1609	1-26	A3-3102-Z-3484	1-19	K-2618	1-25
1227-X-1610	1-26	A-3102-Y-3847	1-18	N-19-1	1-26
1229-W-1115	1-14	A1-3102-Y-3847	1-18	N-214-1	1-26
1229-W-1141	1-14	A-3102-Z-3848	1-18	N-410-1	1-26
1229-Z-1144	1-14	A1-3102-Z-3848	1-18	N-514-1	1-26
1229-M-1235	1-14	A-3102-A-3849	1-18	NL-16-1	1-26
1229-K-1597	1-14	A1-3102-A-3849	1-18	NL-112-1	1-26
1229-E-1669	1-14	A-3102-B-3850	1-18	NL-114-1	1-26
1229-L-4640	1-14	A1-3102-B-3850	1-18	NL-210-1	1-26
1229-G-4713	1-14	A1-3102-Q-3865	1-18	R200001	1-1,1-7,2-46
2208-F-370	1-13	A-3102-Y-3873	1-18		2-47,2-62
2208-M-377	1-13	A1-3102-Y-3873	1-18	R200002	1-1,1-7,2-46
2208-S-513	1-13	A-3102-T-3972	1-18		2-47,2-62
2208-Q-615	1-13	A1-3102-T-3972	1-18	R200003	1-2,1-7,2-115
2208-N-1028	1-13	A2-3102-Q-4229	1-18		2-121,2-123
2297-T-4752S	1-12	A-3102-U-4233	1-18		2-124,2-128
2297-A-5279	1-12	A1-3102-U-4233	1-18		

Numercial Parts Listing

PART NUMBER	PAGE	PART NUMBER	PAGE	PART NUMBER	PAGE
R200004	1-2,1-7,2-115 2-121,2-123 2-124,2-128	R200022	1-6,1-7,2-41 2-42,2-45,2-47 2-48,2-49,2-50 2-51,2-52,2-53 2-54,2-55,2-56 2-57,2-58,2-59 2-60,2-61,2-62 2-65,2-66,2-67 2-68,2-69,2-71 2-72	R200032	1-3,1-7,2-120 2-122,2-123 2-134
R200005	1-1,1-7,2-108 2-115,2-118 2-126	R200023	1-2,1-7,2-7 2-9,2-11,2-17 2-35,2-37	R200033	1-4,1-7,2-120 2-122,2-123 2-134
R200006	1-2,1-7,2-7 2-9,2-11,2-17 2-35,2-37	R200024	1-2,1-7,2-41 2-42,2-45,2-46 2-47,2-48,2-49 2-50,2-51,2-53 2-54,2-55,2-58 2-59,2-60,2-61 2-62,2-63,2-64 2-65,2-66,2-67 2-68,2-69,2-71 2-72	R200034	1-3,1-7,2-121 2-123,2-125 2-131
R200007	1-1,1-7,2-108 2-109,2-115 2-119,2-120 2-124,2-126 2-134	R200025	1-2,1-7,2-41 2-42,2-45,2-46 2-47,2-48,2-49 2-50,2-51,2-53 2-54,2-55,2-58 2-59,2-60,2-61 2-62,2-63,2-64 2-65,2-66,2-67 2-68,2-69,2-71 2-72	R200035	1-1,1-7
R200008	1-2,1-7,2-115 2-121,2-124	R200026	1-1,1-7,2-41 2-46,2-47,2-51 2-58,2-59,2-62 2-63,2-65,2-66 2-67	R200036	1-1,1-7
R200009	1-2,1-7,2-115 2-121,2-124	R200027	1-1,1-7,2-41 2-46,2-47,2-51 2-58,2-59,2-62 2-63,2-65,2-66 2-67	R200037	1-1,1-7
R200010	1-1,1-7	R200028	1-2,1-7,2-7 2-9,2-11,2-12 2-17,2-19,2-20 2-23,2-25,2-28 2-32,2-33,2-34 2-35	R200038	1-1,1-7,2-16
R200011	1-6,1-7,2-41 2-42,2-45,2-47 2-48,2-49,2-50 2-51,2-52,2-53 2-54,2-55,2-56 2-57,2-58,2-59 2-60,2-61,2-62 2-65,2-66,2-67 2-68,2-69,2-71 2-72	R200029	1-2,1-7,2-7 2-9,2-11,2-12 2-17,2-19,2-20 2-23,2-25,2-28 2-32,2-33,2-34 2-35	R200039	1-1,1-7,2-16
R200012	1-1,1-7,2-36	R200030	1-1,1-7	R200040	1-1,1-7
R200013	1-1,1-7	R200031	1-3,1-7,2-120	R200041	1-1,1-7,2-16
R200014	1-1,1-7			R200042	1-4,1-7,2-120 2-121,2-122 2-123,2-125 2-127,2-128 2-131,2-134 2-135
R200015	1-7			R200043	1-4,1-7,2-120 2-121,2-122 2-123,2-125 2-127,2-128 2-131,2-134 2-135
R200016	1-2,1-7,2-7 2-11,2-17,2-19 2-20,2-22,2-35 2-37,2-99,2-115			R200044	1-3,1-7,2-7 2-9,2-11,2-12 2-17,2-19,2-20 2-23,2-25,2-28 2-32,2-33
R200017	1-5,1-7,2-146 2-150			R200045	1-1,1-7,2-46 2-47,2-63,2-64 2-66
R200018	1-1,1-7,2-7 2-9,2-17,2-20 2-32,2-33,2-35 2-36			R200046	1-1,1-7,2-46 2-47,2-63,2-64 2-66
R200019	1-2,1-7,2-7 2-9,2-17,2-20 2-32,2-33,2-35 2-36			R200047	1-2,1-7
R200020	1-1,1-7			R200048	1-7
R200021	1-3,1-7,2-9 2-12,2-16,2-19 2-20,2-22,2-24 2-25,2-28,2-32 2-33,2-34,2-35 2-37,2-99,2-116 2-121,2-123 2-125			R200049	1-1,1-7
				R200050	1-3,1-7,2-12 2-14,2-15,2-17 2-20,2-23,2-25 2-28
				R200051	1-4,1-7,2-12 2-14,2-15,2-16 2-17,2-20,2-23 2-25,2-28,2-29 2-37
				R200052	1-2,1-7,2-3 2-115,2-121 2-123,2-124 2-130
				R200053	1-1,1-7

Numercial Parts Listing

PART NUMBER	PAGE
R200054	1-3,1-7,2-121 2-123,2-125 2-131
R200055	1-4,1-7,2-119 2-121,2-123 2-125,2-127 2-128,2-131 2-134,2-135
R200056	1-4,1-7,2-3 2-119,2-121 2-123,2-125 2-127,2-128 2-131,2-134 2-135
R200057	1-3,1-7,2-3 2-121,2-123 2-125,2-128 2-131
R200058	1-3,1-7,2-121 2-123,2-125 2-128,2-131
R200059	1-1,1-7
R200060	1-1,1-7
R200061	1-4,1-7,2-12 2-14,2-15,2-16 2-23,2-25,2-28 2-29
R200062	1-1,1-7
R200063	1-6,1-7,2-83 2-88,2-90,2-91 2-92
R200064	1-6,1-7,2-83 2-84,2-86,2-87 2-88,2-89,2-90 2-91,2-92
R200065	1-6,1-7,2-83 2-84,2-86,2-87 2-88,2-89,2-90 2-91,2-92
R200066	1-4,1-7,2-42 2-43,2-45,2-47 2-48,2-49,2-50 2-52,2-53,2-54 2-55,2-56,2-59 2-60,2-61,2-63 2-64,2-66,2-68 2-70,2-71
R200067	1-5,1-7,2-146 2-148,2-150
R200068	1-5,1-7,2-146 2-148
R200069	1-5,1-7,2-150
R200070	1-1,1-7
R200071	1-6,1-7,2-83 2-84,2-85,2-86 2-87,2-88,2-90 2-91
R200072	1-6,1-7,2-85

PART NUMBER	PAGE
R200073	1-3,1-7,2-3 2-116,2-121 2-128,2-131
R200074	1-4,1-7,2-3 2-111,2-116 2-119,2-123 2-127,2-128 2-131
R200075	1-4,1-7,2-128 2-131,2-134
R200121	1-6,1-7,2-98 2-101
R200122	1-2,1-7
R200123	1-6,1-7,2-39 2-41,2-48,2-49 2-51,2-52,2-53 2-54,2-55,2-56 2-57,2-58,2-59 2-60,2-61,2-62 2-67,2-68,2-69 2-71,2-72,2-75 2-76,2-77,2-80 2-98,2-100 2-116,2-138 2-149,2-150
R200142	1-3,1-7,2-9 2-12,2-16,2-19 2-20,2-22,2-24 2-25,2-28,2-32 2-33,2-34,2-35 2-37,2-99,2-116 2-121,2-123 2-125
R200143	1-2,1-7,2-7 2-11,2-17,2-19 2-20,2-22,2-35 2-37,2-99,2-115
R200144	1-6,1-7,2-39 2-41,2-48,2-49 2-51,2-52,2-53 2-54,2-55,2-56 2-57,2-58,2-59 2-60,2-61,2-62 2-67,2-68,2-69 2-71,2-72,2-75 2-76,2-77,2-80 2-98,2-100 2-116,2-138 2-149,2-150
R200145	1-6,1-7,2-98 2-101
R200146	1-6,1-7,2-12 2-16,2-24,2-35 2-37,2-51,2-52 2-53,2-55,2-57 2-61,2-69,2-72 2-102,2-116

PART NUMBER	PAGE
R200153	1-6,1-7,2-12 2-16,2-24,2-35 2-37,2-51,2-52 2-53,2-55,2-57 2-61,2-69,2-72 2-102,2-116
R200154	1-3,1-7,2-9 2-12,2-16,2-19 2-20,2-22,2-24 2-25,2-28,2-32 2-33,2-34,2-35 2-37,2-99,2-116 2-121,2-123 2-125
R200155	1-2,1-7,2-7 2-11,2-17,2-19 2-20,2-22,2-35 2-37,2-99,2-115
R200156	1-3,1-7,2-12 2-16,2-22,2-24 2-35,2-37,2-39 2-52,2-53,2-75 2-76,2-77,2-80 2-100,2-116 2-120,2-122 2-123,2-134 2-135,2-138 2-149,2-150
R200157	1-3,1-8,2-12 2-16,2-22,2-24 2-35,2-37,2-39 2-52,2-53,2-75 2-76,2-77,2-80 2-100,2-116 2-120,2-122 2-123,2-134 2-135,2-138 2-149,2-150
R200167	1-4,1-8,2-12 2-16,2-22,2-24 2-25,2-29,2-34 2-35,2-37,2-39 2-75,2-76,2-77 2-80,2-100 2-116,2-121 2-122,2-123 2-125,2-135 2-138,2-149 2-150

Numercial Parts Listing

PART NUMBER	PAGE	PART NUMBER	PAGE	PART NUMBER	PAGE
R200168	1-5,1-8,2-25 2-29,2-35,2-37 2-39,2-52,2-53 2-55,2-56,2-57 2-61,2-71,2-75 2-76,2-77,2-80 2-83,2-103 2-116,2-120 2-121,2-122 2-123,2-125 2-127,2-134 2-135,2-138 2-149,2-150	R200193	1-5,1-8,2-39 2-75,2-76,2-77 2-80,2-101 2-138,2-149 2-150	R200226	1-1,1-8,2-46 2-47,2-51,2-58 2-63,2-65
R200170	1-5,1-8,2-25 2-29,2-35,2-37 2-39,2-52,2-53 2-55,2-56,2-57 2-61,2-71,2-75 2-76,2-77,2-80 2-83,2-103 2-116,2-120 2-121,2-122 2-123,2-125 2-127,2-134 2-135,2-138 2-149,2-150	R200194	1-6,1-8,2-104	R200232	1-8
R200171	1-1,1-8,2-98	R200195	1-4,1-8,2-39 2-43,2-66,2-70 2-75,2-76,2-77 2-78,2-79,2-80 2-89,2-101 2-111,2-114 2-116,2-119 2-128,2-130 2-131,2-135 2-138,2-140 2-141,2-142 2-148,2-149 2-150	R200234	1-6,1-8
R200172	1-4,1-8,2-12 2-16,2-22,2-24 2-25,2-29,2-34 2-35,2-37,2-39 2-75,2-76,2-77 2-80,2-100 2-116,2-121 2-122,2-123 2-125,2-135 2-138,2-149 2-150	R200196	1-3,1-8,2-99	R200235	1-2,1-8
R200173	1-1,1-8,2-98	R200198	1-5,1-8,2-12 2-25,2-29,2-31 2-34,2-39,2-43 2-45,2-52,2-55 2-57,2-61,2-70 2-75,2-76,2-77 2-78,2-80,2-89 2-103,2-104 2-109,2-110 2-111,2-113 2-114,2-116 2-119,2-120 2-121,2-123 2-126,2-127 2-128,2-130 2-131,2-134 2-135,2-138 2-140,2-142 2-144,2-148 2-149,2-150	R200250	1-5,1-8,2-5 2-81
R200174	1-3,1-8	R200199	1-5,1-8,2-39 2-75,2-76,2-77 2-80,2-101 2-116,2-122 2-123,2-125 2-134,2-135 2-138,2-149 2-150	R200251	1-4,1-8,2-5
R200178	1-3,1-8			R200265	1-1,1-8,2-7 2-17,2-36
R200184	1-3,1-8,2-12 2-25,2-28,2-35			R200266	1-2,1-8,2-7 2-9,2-11,2-12 2-17,2-19,2-20 2-23,2-25,2-28 2-32,2-33,2-34 2-35
R200186	1-6,1-8,2-39 2-98,2-149 2-150			R200267	1-4,1-8,2-5 2-78,2-79,2-80 2-113,2-114 2-128,2-140 2-141,2-144
R200188	1-3,1-8,2-12 2-35,2-37,2-39 2-100			R200268	1-2,1-8,2-3 2-109,2-110 2-124,2-126 2-130
R200189	1-5,1-8,2-25 2-35,2-37			R200269	1-4,1-8,2-5 2-78,2-79,2-80 2-111,2-112 2-113,2-114 2-128,2-140 2-141,2-144
R200190	1-8			R200270	1-4,1-8,2-5
R200191	1-5,1-8,2-25 2-35,2-37			R200271	1-1,1-8
				R200272	1-2,1-8,2-7 2-9,2-17,2-20 2-23,2-25,2-28
				R200273	1-4,1-8,2-12 2-14,2-15,2-16 2-17,2-20,2-23 2-25,2-28,2-29
				R200274	1-8
				R200275	1-3,1-8,2-14 2-15,2-25,2-28 2-34
				R200276	1-4,1-8,2-12 2-14,2-15,2-17 2-20,2-23,2-25 2-28
				R200277	1-3,1-8,2-121 2-123,2-125 2-131
				R200278	1-4,1-8,2-3 2-111,2-113 2-114,2-120 2-123,2-127 2-128,2-131

Numercial Parts Listing

PART NUMBER	PAGE
R200279	1-6,1-8,2-3 2-109,2-112 2-113,2-127 2-128
R200280	1-2,1-8,2-7 2-9,2-17,2-19 2-20,2-23
R200281	1-4,1-8,2-5 2-110,2-111
R201300	1-3,1-8,2-39 2-75,2-77,2-80 2-102,2-113 2-114,2-116 2-119,2-135 2-138
R201303	1-3,1-8,2-75 2-76,2-77,2-80 2-116
R201306	1-5,1-8,2-102 2-135
R201307	1-5,1-8,2-39 2-43,2-45,2-66 2-70,2-75,2-76 2-77,2-78,2-79 2-80,2-89,2-101 2-111,2-113 2-114,2-116 2-119,2-128 2-130,2-131 2-135,2-138 2-140,2-141 2-142,2-148 2-149,2-150
R201308	1-5,1-8,2-102 2-135
R201309	1-5,1-8,2-78 2-79,2-80,2-98 2-102,2-103 2-113,2-140 2-141,2-142 2-144
R201310	1-4,1-8,2-78 2-79,2-80,2-98 2-102,2-103 2-113,2-140 2-141,2-142 2-144
R201312	1-6,1-8,2-12 2-25,2-29,2-39

PART NUMBER	PAGE
	2-43,2-45,2-52 2-55,2-57,2-61 2-70,2-75,2-76 2-77,2-78,2-80 2-89,2-103 2-104,2-109 2-110,2-111 2-112,2-113 2-114,2-116 2-119,2-120 2-121,2-123 2-126,2-127 2-128,2-130 2-131,2-134 2-135,2-138 2-140,2-142 2-144,2-148 2-149,2-150
R201314	1-2,1-8,2-35 2-99
R201315	1-5,1-8,2-23 2-78,2-79,2-80 2-100,2-101 2-111,2-112 2-113,2-114 2-128,2-130 2-131,2-140 2-141,2-144
R201318	1-3,1-8
R201319	1-5,1-8
R201419	1-4,1-8,2-102 2-105
R201421	1-8
R201424	1-4,1-8
R201425	1-5,1-8
R201426	1-5,2-3,2-109 2-110,2-111 2-112
R201427	1-6,2-3,2-109 2-110,2-111 2-113
R201470	1-5,1-8,2-105
R201471	1-5,1-8,2-105
R201472	1-8
R201473	1-4,1-8,2-105
R201474	1-3,1-8,2-105
R201475	1-5,1-8,2-105
R201476	1-6,1-8,2-105
R201477	1-5,1-8
R201478	1-2,1-8,2-105
R201479	1-3,1-8,2-105
R210001	1-9
R210002	1-9
R210003	1-9
R210004	1-9
R210005	1-9
R210006	1-9
R210007	1-9

PART NUMBER	PAGE
R210008	1-9
R210009	1-9
R210010	1-9
R210011	1-9
R210012	1-9
R210013	1-9
R210014	1-9
R210015	1-9
R210016	1-9
R210017	1-9
R210018	1-9
R210019	1-9
R210020	1-9
R210021	1-9
R210022	1-9
R210023	1-9
R210024	1-9
R210025	1-9
R210026	1-9
R210027	1-9
R210028	1-9
R210029	1-9
R210030	1-9
R210031	1-9
R210032	1-9
R210033	1-9
R210034	1-9
R210035	1-9
R210036	1-9
R210037	1-9
R210038	1-9
R210039	1-9
R210040	1-9
R210041	1-9
R210042	1-9
R210043	1-9
R210044	1-9
R210045	1-9
R210046	1-9
R210047	1-9
R210048	1-9
R210049	1-9
R210050	1-9
R210052	1-9
R210053	1-9
R210054	1-9
R210055	1-9
R210056	1-9
R210058	1-10
R210059	1-10
R210060	1-10
R210061	1-10
R210062	1-10
R210063	1-10
R210064	1-10
R210066	1-10
R210068	1-10
R210069	1-10

Numercial Parts Listing

PART NUMBER	PAGE
R210070	1-10
R210071	1-10
R210072	1-10
R210073	1-10
R210074	1-10
R210075	1-10
R210076	1-10
R210077	1-10
R210078	1-10
R210079	1-10
R210080	1-10
R210081	1-10
R210082	1-10
R210083	1-10
R210085	1-10
R210086	1-10
R210087	1-10
R210088	1-10
R210089	1-10
R210092	1-10
R210095	1-10
R210096	1-10
R210100	1-10
R210101	1-10
R210102	1-10
R210103	1-10
R210104	1-10
R210105	1-10
R210108	1-10
R210109	1-10
R210110	1-10
R210204	1-11
R210205	1-11
R210207	1-11
R210208	1-11
R210209	1-11
R210210	1-11
R210211	1-11
R210212	1-11
R210213	1-11
R210214	1-11
R210215	1-11
R210216	1-11
R210217	1-11
R210218	1-11
R210219	1-11
R210220	1-11
R210221	1-11
R210222	1-11
R210223	1-11
R210224	1-11
R210225	1-11
R210226	1-11
R210227	1-11
R210228	1-11
R210229	1-11
R210230	1-11
R210231	1-11

PART NUMBER	PAGE
R210232	1-11
R210233	1-11
R210234	1-11
R210235	1-11
R210236	1-11
R210237	1-11
R210240	1-11
R210241	1-11
R210242	1-11
R210243	1-11
R210244	1-11
R210245	1-11
R210246	1-11
R210247	1-11
R210248	1-11
R210249	1-11
R210251	1-11
R210252	1-11
R210253	1-11
R210254	1-11
R210255	1-11
R210258	1-11
R210259	1-11
R210264	1-11
R210265	1-11
R210267	1-11
R210272	1-11
R210273	1-11
R230002	1-16,2-7,2-8 2-10,2-13,2-18 2-36,2-117 2-118
R230003	1-16,2-7,2-8 2-10,2-13,2-18 2-36,2-117 2-118
R230004	1-16,2-41,2-48 2-49,2-51,2-52 2-53,2-54,2-55 2-56,2-57,2-58 2-59,2-60,2-62 2-65,2-66,2-67 2-68,2-69,2-70 2-71,2-72,2-73 2-108,2-117
R230005	1-16,2-41,2-48 2-49,2-51,2-52 2-53,2-54,2-55 2-56,2-57,2-58 2-59,2-60,2-61 2-62,2-65,2-66 2-67,2-68,2-69 2-70,2-71,2-72 2-73,2-117
R230006	1-16,2-61,2-117 2-121,2-124 2-125,2-129

PART NUMBER	PAGE
R230007	1-16,2-117 2-121,2-124 2-125,2-129
R230008	1-16,2-41,2-46 2-47,2-48,2-51 2-52,2-58,2-59 2-60,2-62,2-63 2-65,2-66,2-67
R230009	1-16,2-41,2-46 2-47,2-48,2-51 2-52,2-58,2-59 2-60,2-62,2-63 2-65,2-66,2-67
R230012	1-17,2-41,2-46 2-47,2-48,2-49 2-52,2-54,2-55 2-56,2-58,2-59 2-60,2-62,2-65 2-66,2-67,2-68 2-69,2-72
R230013	1-17,2-41,2-46 2-47,2-48,2-49 2-52,2-54,2-55 2-56,2-58,2-59 2-60,2-62,2-65 2-66,2-67,2-68 2-69,2-72
R230018	1-16,2-3,2-7 2-8,2-10,2-13 2-18,2-20,2-21 2-23,2-26,2-29 2-32,2-33,2-34 2-35,2-36,2-117 2-121,2-124 2-125,2-132
R230019	1-16,2-3,2-7 2-8,2-10,2-13 2-18,2-20,2-21 2-23,2-26,2-29 2-32,2-33,2-34 2-35,2-36,2-117 2-121,2-124 2-125,2-132
R230024	1-16,2-42,2-43 2-44,2-48,2-49 2-50,2-52,2-53 2-55,2-57,2-58 2-60,2-61,2-65 2-66,2-67,2-68 2-70,2-71,2-72 2-73

Numercial Parts Listing

PART NUMBER	PAGE
R230025	1-16,2-42,2-43 2-44,2-48,2-49 2-50,2-52,2-53 2-55,2-57,2-58 2-60,2-61,2-65 2-66,2-67,2-68 2-70,2-71,2-72 2-73,2-83,2-84 2-86
R230028	1-17,2-3,2-109 2-110,2-111 2-112,2-113 2-114,2-115 2-119,2-120 2-122,2-124 2-125,2-126 2-127,2-129 2-130,2-132 2-134,2-135 2-136
R230029	1-17,2-3,2-109 2-110,2-111 2-112,2-113 2-114,2-115 2-119,2-120 2-122,2-124 2-125,2-126 2-127,2-129 2-130,2-132 2-134,2-135 2-136
R230030	1-17,2-8,2-10 2-13,2-14,2-15 2-18,2-20,2-21 2-23,2-26,2-29 2-33,2-34
R230031	1-17,2-8,2-10 2-13,2-14,2-15 2-18,2-20,2-21 2-23,2-26,2-29 2-33,2-34
R230034	1-16,2-8,2-10 2-18,2-21,2-23 2-42,2-43,2-45 2-46,2-47,2-48 2-50,2-54,2-56 2-60,2-63,2-64 2-66,2-68,2-69 2-71,2-72
R230035	1-16,2-8,2-10 2-18,2-21,2-23 2-42,2-43,2-45 2-46,2-47,2-48 2-50,2-54,2-56 2-60,2-63,2-64 2-66,2-68,2-69 2-71,2-72

PART NUMBER	PAGE
R230036	1-16,2-42,2-43 2-44,2-45,2-48 2-49,2-50,2-52 2-53,2-54,2-55 2-56,2-58,2-60 2-61,2-64,2-67 2-68,2-69,2-70 2-71,2-72
R230037	1-16,2-42,2-43 2-44,2-45,2-48 2-49,2-50,2-52 2-53,2-54,2-55 2-56,2-58,2-60 2-61,2-64,2-67 2-68,2-69,2-70 2-71,2-72
R230040	1-16,2-148 2-149
R230041	1-16,2-81,2-83 2-84,2-85,2-86 2-87,2-88,2-89 2-90,2-91,2-92 2-93,2-149
R230042	1-16,2-83,2-84 2-85,2-86,2-87 2-88,2-89,2-90 2-91,2-92,2-93
R230043	1-16,2-83,2-84 2-86,2-87,2-88 2-89,2-90,2-91 2-92,2-93
R230051	1-16,2-129
R230056	1-16,2-142 2-148,2-149
R230060	1-16,2-13,2-17 2-18,2-20,2-21 2-22,2-25,2-26 2-33,2-34,2-36 2-37,2-39,2-52 2-53,2-55,2-58 2-61,2-75,2-76 2-77,2-81,2-83 2-84,2-86,2-87 2-88,2-89,2-90 2-91,2-92,2-93 2-98,2-99,2-100 2-101,2-102 2-104,2-109 2-110,2-111 2-117,2-118 2-120,2-121 2-122,2-124 2-125,2-126 2-132,2-135 2-136,2-138 2-149,2-150

PART NUMBER	PAGE
R230061	1-16,2-13,2-17 2-18,2-20,2-21 2-22,2-25,2-26 2-33,2-34,2-36 2-37,2-39,2-52 2-53,2-55,2-58 2-61,2-75,2-76 2-77,2-81,2-83 2-84,2-86,2-87 2-88,2-89,2-90 2-91,2-92,2-93 2-98,2-99,2-100 2-101,2-102 2-104,2-109 2-110,2-111 2-117,2-118 2-120,2-121 2-122,2-124 2-125,2-126 2-132,2-135 2-136,2-138 2-149,2-150
R230062	1-16,2-8,2-13 2-18,2-20,2-21 2-22,2-36,2-37 2-99
R230063	1-16,2-8,2-13 2-18,2-20,2-21 2-22,2-36,2-37 2-99
R230066	1-16,2-13,2-17 2-22,2-25,2-36 2-37,2-39,2-75 2-76,2-77,2-81 2-101,2-118 2-120,2-127 2-138,2-148 2-149,2-150
R230067	1-16,2-13,2-17 2-22,2-25,2-36 2-37,2-39,2-75 2-76,2-77,2-81 2-101,2-138 2-149,2-150

Numerical Parts Listing

PART NUMBER	PAGE	
R230068	1-16,2-3,2-5	
	2-13,2-14,2-15	
	2-16,2-18,2-19	
	2-21,2-24,2-26	
	2-27,2-29,2-30	
	2-34,2-39,2-44	
	2-45,2-67,2-70	
	2-75,2-76,2-77	
	2-78,2-79,2-80	
	2-81,2-90,2-98	
	2-100,2-101	
	2-102,2-103	
	2-105,2-106	
	2-109,2-110	
	2-111,2-112	
	2-113,2-114	
	2-118,2-119	
	2-121,2-122	
	2-124,2-125	
	2-126,2-129	
	2-130,2-132	
	2-134,2-136	
	2-138,2-140	
	2-141,2-142	
	2-144,2-146	
	2-148,2-149	
	2-150	
	R230069	1-16,2-3,2-5
		2-13,2-14,2-15
		2-16,2-18,2-19
		2-21,2-24,2-26
		2-27,2-29,2-30
		2-34,2-39,2-44
2-45,2-67,2-70		
2-75,2-76,2-77		
2-78,2-79,2-80		
2-81,2-90,2-98		
2-100,2-101		
2-102,2-103		
2-105,2-106		
2-109,2-110		
2-111,2-112		
2-113,2-114		
2-118,2-119		
2-121,2-122		
2-124,2-125		
2-126,2-129		
2-130,2-132		
2-134,2-136		
2-138,2-140		
2-141,2-142		
2-144,2-146		
2-148,2-149		
2-150		

PART NUMBER	PAGE	
R230070	1-16,2-3,2-26	
	2-30,2-39,2-52	
	2-54,2-56,2-57	
	2-58,2-61,2-71	
	2-72,2-75,2-76	
	2-77,2-79,2-80	
	2-81,2-83,2-84	
	2-85,2-86,2-87	
	2-88,2-89,2-90	
	2-91,2-92,2-93	
	2-98,2-100	
	2-101,2-103	
	2-104,2-110	
	2-118,2-120	
	2-122,2-124	
	2-125,2-127	
	2-134,2-135	
	2-136,2-138	
	2-140,2-141	
	2-142,2-144	
	2-146,2-148	
	2-149,2-150	
	R230071	1-16,2-3,2-26
		2-30,2-39,2-52
		2-54,2-56,2-57
		2-58,2-61,2-71
		2-72,2-75,2-76
		2-77,2-79,2-80
		2-81,2-83,2-84
		2-85,2-86,2-87
		2-88,2-89,2-90
		2-91,2-92,2-93
		2-98,2-100
2-101,2-103		
2-104,2-110		
2-118,2-120		
2-122,2-124		
2-125,2-127		
2-134,2-135		
2-136,2-138		
2-140,2-141		
2-142,2-144		
2-146,2-148		
2-149,2-150		
R230072		1-17,2-5,2-39
		2-43,2-44,2-45
		2-47,2-49,2-51
		2-52,2-56,2-58
		2-70,2-75,2-76

PART NUMBER	PAGE	
R230073	2-77,2-79,2-80	
	2-81,2-83,2-84	
	2-85,2-86,2-87	
	2-88,2-89,2-90	
	2-91,2-92,2-104	
	2-105,2-106	
	2-112,2-118	
	2-119,2-120	
	2-122,2-124	
	2-127,2-129	
	2-133,2-134	
	2-136,2-138	
	2-140,2-141	
	2-142,2-144	
	2-148,2-149	
	2-150	
	1-17,2-5,2-39	
	2-43,2-44,2-45	
	2-47,2-49,2-51	
	2-52,2-56,2-58	
	2-70,2-75,2-76	
	2-77,2-79,2-80	
	2-81,2-83,2-84	
	2-85,2-86,2-87	
	2-88,2-89,2-90	
	2-91,2-92,2-104	
	2-105,2-106	
	2-112,2-118	
	2-119,2-120	
	2-122,2-124	
	2-127,2-129	
	2-133,2-134	
	2-136,2-138	
2-140,2-141		
2-142,2-144		
2-148,2-149		
2-150		
R230074	1-17,2-39,2-70	
	2-75,2-76,2-77	
	2-81,2-100	
	2-102,2-113	
	2-114,2-117	
	2-118,2-119	
	2-120,2-124	
	2-136,2-138	
	2-149	
	R230075	1-17,2-39,2-70
		2-75,2-76,2-77
		2-81,2-100
		2-102,2-113
		2-114,2-117
		2-118,2-119
		2-120,2-124
		2-136,2-138
		2-149

Numercial Parts Listing

PART NUMBER	PAGE
R230077	1-16,2-118 2-120,2-127 2-148
R230081	1-16,2-98,2-117
R230082	1-16,2-98,2-117
R230084	1-16
R230085	1-16
R230086	1-16,2-99
R230087	1-16,2-99
R230090	1-16,2-75,2-76 2-77,2-78,2-79 2-80,2-81,2-90 2-98,2-100 2-101,2-102 2-103
R230095	1-16,2-118 2-120,2-127 2-148
R230098	1-17
R230099	1-17
R230104	1-17,2-3,2-75 2-76,2-79,2-80 2-104,2-105 2-106,2-110 2-111,2-140 2-141,2-142 2-144,2-148 2-149
R230105	1-17,2-3,2-75 2-76,2-79,2-80 2-104,2-105 2-106,2-110 2-111,2-140 2-141,2-142 2-144,2-148 2-149
R230117	1-17,2-8,2-10 2-18,2-21,2-23
R230118	1-17,2-8,2-10 2-18,2-21,2-23
R230129	1-17,2-105 2-106
R230130	1-17,2-106
R230131	1-17,2-105
R230132	1-17,2-105
R230133	1-17
R230134	1-17
R230135	1-16,2-105
R230136	1-16,2-105
R230137	1-17,2-105
R230138	1-17,2-105
R230139	1-17,2-5,2-111 2-112,2-113 2-129
R230140	1-17,2-5,2-111 2-112,2-113 2-129

PART NUMBER	PAGE
R230141	1-16,2-43,2-47 2-49,2-51,2-64 2-67,2-68,2-69
R230142	1-16,2-43,2-47 2-49,2-51,2-64 2-67,2-68,2-69
R230143	1-16,2-43,2-47 2-49,2-51,2-64 2-67,2-68,2-69
R230144	1-16,2-43,2-47 2-49,2-51,2-64 2-67,2-68,2-69
R230145	1-17,2-7,2-19 2-21,2-24,2-34
R230146	1-17,2-7,2-19 2-21,2-24,2-34
R230207	1-17
R230208	1-17
R230209	1-17,2-42,2-43 2-48,2-50,2-64
R230210	1-17,2-42,2-43 2-48,2-50,2-64
R230217	1-17,2-113 2-114,2-132
R230218	1-17,2-113 2-114,2-132
R230225	1-17
R230230	1-16,2-3,2-114 2-119,2-129 2-132
R230231	1-16,2-3,2-114 2-119,2-129 2-132
R230241	1-16
R230405	1-16,2-49,2-50 2-60
R230408	1-17,2-8,2-10 2-14,2-15,2-18 2-19,2-21,2-24 2-26,2-27,2-29 2-30,2-32
R230409	1-17,2-8,2-10 2-14,2-15,2-18 2-19,2-21,2-24 2-26,2-27,2-29 2-30,2-32
R230410	1-17,2-129 2-133
R230411	1-17,2-113 2-115
R230415	1-17,2-112 2-113,2-114 2-130
R230416	1-17,2-112 2-113,2-114 2-130

PART NUMBER	PAGE
R230418	1-17,2-8,2-10 2-13,2-15,2-18 2-21,2-23,2-26 2-29,2-34
R230419	1-17,2-8,2-10 2-13,2-15,2-18 2-21,2-23,2-26 2-29,2-34
R230420	1-17,2-5,2-78 2-79,2-80,2-81 2-140,2-141 2-142,2-144
R230421	1-17,2-5,2-78 2-79,2-80,2-81 2-140,2-141 2-142,2-144
R230422	1-16
R250001	1-20,2-42,2-43 2-46,2-47,2-48 2-49,2-50,2-60 2-64,2-65,2-66
R250012	1-20,2-7,2-9 2-11,2-19,2-20 2-22,2-32
R250025	1-21,2-27,2-28 2-31
R250026	1-21,2-44,2-45 2-54,2-55,2-56 2-57,2-58,2-61 2-67
R250033	1-22,2-9,2-11 2-14,2-19,2-22 2-24
R250034	1-22,2-9,2-11 2-14,2-19,2-22 2-24
R250036	1-24,2-27,2-28 2-31
R250051	1-21,2-129 2-130,2-133
R250052	1-21,2-43,2-48 2-49,2-50
R250053	1-21,2-42,2-43 2-48,2-49,2-50 2-60,2-64,2-65
R250054	1-21,2-44,2-45 2-52,2-53,2-54 2-55,2-56,2-57 2-58,2-61,2-70
R250055	1-23,2-81
R250056	1-23,2-81
R250057	1-23,2-81
R250063	1-20,2-113 2-119
R250066	1-20,2-129 2-133
R250067	1-20,2-138
R250068	1-23,2-138

Numercial Parts Listing

PART NUMBER	PAGE	PART NUMBER	PAGE	PART NUMBER	PAGE
R250085	1-21,2-134 2-136				
R250088	1-23,2-78,2-79 2-80				
R250093	1-22,2-142 2-148,2-149				
R250095	1-23,2-9,2-11 2-19,2-22,2-24				
R250102	1-20,2-42,2-43 2-48,2-50,2-64 2-65				
R250103	1-22,2-42,2-43 2-48,2-50,2-64 2-65				
R250104	1-22,2-43,2-48 2-50				
R250105	1-22,2-9,2-11 2-19,2-22,2-24				
R250112	1-21,2-109 2-110,2-111 2-112,2-130				
R250113	1-20,2-110 2-111,2-126				
R250120	1-23,2-39				
R250124	1-22,2-7,2-35				
R250316	1-22,2-14				
R250335	1-20,2-129 2-133				
R250340	1-20,2-129				
R250345	1-20,2-44,2-45 2-70				
R250346	1-20,2-44,2-45 2-70				
R250347	1-24,2-27,2-28 2-31				
R250348	1-24,2-27,2-31				
R250349	1-24,2-14,2-15				
R250357	1-21,2-27,2-28 2-31				
R250359	1-23,2-28,2-31				
R250360	1-23,2-32				
R250361	1-21,2-27,2-28 2-31				
R250362	1-22,2-9,2-11 2-19,2-22,2-24				
R250392	1-23,2-9,2-11 2-19,2-22,2-24				
R250395	1-22,2-9,2-11 2-19,2-22,2-24				
S-255-2	1-26				
S-256P-2	1-26				
S-258-2	1-26				
S-259-2	1-26				
S-267-2	1-26				
S-7812-S	1-26				
WA-15Z	1-26				

ARVINMERITOR AFTERMARKET PARTS WARRANTY

We warrant all new parts for one year from date of shipment to the buyer against defective material or workmanship (but not against damage caused by accident, abuse or improper installation, maintenance or repair) when such parts are used on vehicles the specifications of which have been approved by our Engineering Department.

As the exclusive remedy under this warranty, we will, at our option, repair or replace such parts free of charge, or take back the nonconforming parts and refund the monies paid by buyer for such parts, if found on examination by us to be nonconforming and if any necessary return charges are prepaid.

If it is necessary to return any parts under this warranty, buyer agrees not to make any deduction on account thereof from remittances on current accounts while claims are in the process of disposition. Any expense incurred without our consent for repairs or replacement will not be allowed.

THIS WARRANTY IS EXPRESSLY IN LIEU OF ALL OTHER WARRANTIES OR CONDITIONS, EXPRESS, IMPLIED OR STATUTORY, INCLUDING ANY IMPLIED WARRANTY OF MERCHANTABILITY OR FITNESS FOR PARTICULAR PURPOSE. IN NO EVENT SHALL SELLER BE LIABLE FOR INCIDENTAL OR CONSEQUENTIAL DAMAGES OF ANY NATURE.

Only genuine ArvinMeritor replacement parts are covered by this aftermarket parts warranty.

Information contained in this publication was in effect at the time the publication was approved for printing and is subject to change without notice or liability. ArvinMeritor, Inc. reserves the right to revise the information presented or discontinue the production of parts at any time.

ArvinMeritorTM

Commercial Vehicle Aftermarket

Meritor Heavy Vehicle Systems, LLC

7975 Dixie Highway
Florence, KY 41042 USA
888-725-9355
<http://www.arvinmeritor.com>

© 2002
ArvinMeritor, Inc.
All Rights Reserved

Printed in the U.S.A.

Revised 08-02
PB-8951 (07053)