



In daily use - proven millions of times over. Products from autosen are under highest quality requirements regarding robustness, insensitivity and reliability. We offer 5 years warranty - with money-back guarantee!

## AP006 Programmable electr. pressure sensor G1/4F

Order by 2 pm - Shipping on the same working day

**292,31 €** offline price 309,32 €

Incl. 5.5% online discount for online orders

### Overview

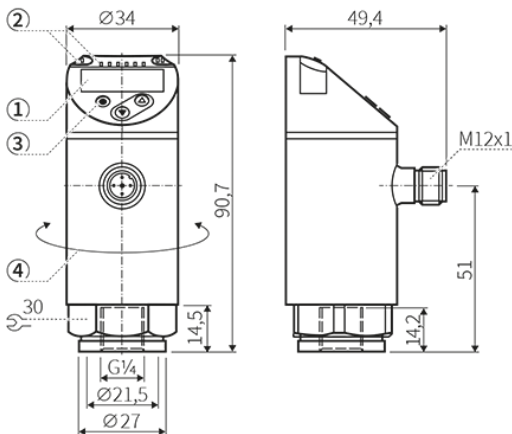
- For liquid and gaseous media
- -1...10 bar
- 2x programmable normally open / normally closed & 1x analogue output
- with IO-Link, 4-digit alphanumeric display and alternating display in red/green
- ceramic-capacitive pressure sensing element

**[www.autosen.com/AP006](http://www.autosen.com/AP006)**

Direct link to the article on [autosen.com](http://www.autosen.com)



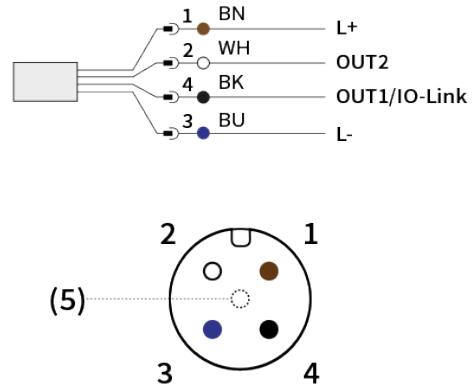
## Dimensional drawing



## Dimensional drawing legend

- 1: 4-digit alphanumeric display / alternating indication of red and green
- 2: LEDs (display unit / switching status)
- 3: Programming buttons
- 4: Upper part of the housing can be rotated by 345°

## Connection & pin assignment



## Wiring & pin configuration legend

- OUT1: switching output IO-Link
- OUT2: switching output/analogue output

## General information

Range of application	Liquid and gaseous media
Type of pressure	Relative pressure
Pressure measuring range min.	-1 bar
Pressure measuring range max.	10 bar
Switching frequency	500Hz
Bursting pressure	150 bar
Pressure resistance	75 bar
Process connection	G 1/4
	Internal thread

Order online at  
Order by telephone  
Order by fax

[www.autosen.com](http://www.autosen.com)  
+49 (0) 201/749 189 21  
+49 (0) 201/749 189 22

autosen gmbh • Annastraße 41 • 45130 Essen  
[www.autosen.com](http://www.autosen.com) • [info@autosen.com](mailto:info@autosen.com)  
We reserve the right to make technical changes without notice -  
10/9/2022



## Outputs / inputs

---

Switching output	2 x normally closed / normally open programmable
Analogue output	4 ... 20 mA 0 ... 10 V Programmable Scalable
Comment on analogue output	When used with an analog output use exclusively sensor cables without LED
IO-Link	Yes

## Electrical data

---

Operating voltage	18 ... 30 V DC
Voltage type	Direct voltage (DC)
Electrical design	PNP NPN*
	*Programming buttons *IO-Link parameterisation
Current carrying capacity max.	250mA
Voltage drop max.	2V
Current consumption max.	35mA
Protection class	III
Short-circuit protection	Yes
Overload-proof	Yes
Reverse polarity protection	Yes

## Mechanical data

---

Materials in contact with the medium	V4A (1.4404) FKM Al2O3 (ceramic)
Union nut tightening torque	25 ... 35 Nm
Material of housing	V4A (1.4404) PC PBT+PC-GF 30 PBT-GF 20
Electrical connection	M12 4-pin Contacts gold-plated



## Accuracy

---

Hysteresis	< 0.1%
Resolution	0.02 bar
Reproducibility	< 0.1%
Switching point accuracy	< ± 0.4 %
Linearity deviation	< ± 0.25 % (BFSL)
Delay time adjustable	0 ... 50 s
Ready delay	0.03 s

## Ambient conditions

---

Ambient temperature min.	-25°C
Ambient temperature max.	80°C
Medium temperature	-25 ... 80 °C°C
Protection rating	IP66 IP67

## Additional information

---

MTTF	138years
Function display	Display Yellow Green 3 x LED 2 x LED Programming keys
Accessories included with delivery	No accessories included
EMC test	DIN EN 61000-6-2 DIN EN 61000-6-3
Shock resistance test	DIN EN 60068-2-27
Vibration resistance test	DIN EN 60068-2-6
Pressure Equipment Directive	Good engineering practice
Approval	CE cULus



## Accessories: Process adapter



**AA937**  
Adapter G1/4M G1/2M

Unit price: **13,62 €\***



**AA938**  
Adapter G1/4M G1/4M

Unit price: **14,03 €\***

## Accessories: IO-Link



**ADS01**  
IO-Link starter kit

Unit price: **249,00 €\***



**AD002**  
autosen:io

Unit price: **90,74 €\***



**AD001**  
IO-Link Master

Unit price: **264,07 €\***

## Accessories: M12/M12 connection cable | 4-pin | PUR | IP69K



**AA206**  
Connection cable 10 m PUR  
M12/M12 IP69K

Unit price: **23,74 €\***



**AA205**  
Connection cable 10 m PUR  
M12/M12 IP69K

Unit price: **20,65 €\***



**AA204**  
Connection cable 5 m PUR  
M12/M12 IP69K

Unit price: **19,68 €\***



**AA202**  
Connection cable 5 m PUR  
M12/M12 IP69K

Unit price: **16,49 €\***



**AA203**  
Connection cable 2 m PUR  
M12/M12 IP69K

Unit price: **16,68 €\***



**AA201**  
Connection cable 2 m PUR  
M12/M12 IP69K

Unit price: **13,42 €\***

## Accessories: M12 sensor cable | 4-pin | PVC | IP67



**AA042**  
Sensor cable 10 m Standard  
Class IP67

Unit price: **10,57 €\***



**AA039**  
Sensor cable 10 m Standard  
Class IP67

Unit price: **10,19 €\***



**AA041**  
Sensor cable 5 m Standard Class  
IP67

Unit price: **7,85 €\***



**AA038**  
Sensor cable 5 m Standard Class  
IP67

Unit price: **7,46 €\***



**AA040**  
Sensor cable 2 m Standard Class  
IP67

Unit price: **5,79 €\***



**AA037**  
Sensor cable 2 m Standard Class  
IP67

Unit price: **5,73 €\***

## Accessories: M12 sensor cable | 4-pin | PVC | IP69K



**AA025**  
Sensor cable 25 m PVC M12 4-  
pole IP69K

Unit price: **21,82 €\***



**AA024**  
Sensor cable 10 m PVC M12 4-  
pole IP69K

Unit price: **13,96 €\***



**AA023**  
Sensor cable 5 m PVC M12 4-pole  
IP69K

Unit price: **11,54 €\***



**AA031**  
Sensor cable 2 m PVC M12 4-pole  
IP69K

Unit price: **11,39 €\***

## Accessories: M12 sensor cable | 4-pin | PUR | IP69K



**AA018**  
Sensor cable 10 m PUR M12 4-  
pole IP69K

Unit price: **14,55 €\***



**AA017**  
Sensor cable 10 m PUR M12 4-  
pole IP69K

Unit price: **12,81 €\***

Order online at  
Order by telephone  
Order by fax

[www.autosen.com](http://www.autosen.com)  
+49 (0) 201/749 189 21  
+49 (0) 201/749 189 22

autosen gmbh • Annastraße 41 • 45130 Essen  
[www.autosen.com](http://www.autosen.com) • [info@autosen.com](mailto:info@autosen.com)  
We reserve the right to make technical changes without notice -  
10/9/2022



**AA008**Sensor cable 5 m PUR M12 4-pole IP69k **Unit price: 11,61 €\*****AA006**Sensor cable 5 m PUR M12 4-pole IP69k **Unit price: 9,95 €\*****AA007**Sensor cable 2 m PUR M12 4-pole IP69k **Unit price: 10,17 €\*****AA005**Sensor cable 2 m PUR M12 4-pole IP69k **Unit price: 8,45 €\*****Accessories: M12 connector | 4-pin | plug****AA946**Wirable connector angled M12 **Unit price: 6,70 €\*****AA921**Wirable connector M12 **Unit price: 6,70 €\*****AA959**Wirable connector angled M12 IP69k **Unit price: 14,11 €\*****AA961**Wirable connector angled M12 IP69k **Unit price: 14,11 €\*****Accessories: M12 connector | 4-pin | socket****AA947**Wirable socket angled M12 **Unit price: 6,61 €\*****AA939**Wirable socket M12 **Unit price: 6,61 €\*****AA960**Wirable socket angled M12 IP69k **Unit price: 14,11 €\*****AA962**Wirable socket angled M12 IP69k **Unit price: 14,11 €\*****Accessories: Y-distributor****AA046**Y-splitter cable M12/2xM12 **Unit price: 17,61 €\*****AA922**Y distributor M12/2xM12 **Unit price: 11,60 €\***

Order online at  
Order by telephone  
Order by fax

[www.autosen.com](http://www.autosen.com)  
+49 (0) 201/749 189 21  
+49 (0) 201/749 189 22

autosen gmbh • Annastraße 41 • 45130 Essen  
[www.autosen.com](http://www.autosen.com) • [info@autosen.com](mailto:info@autosen.com)  
We reserve the right to make technical changes without notice -  
10/9/2022

