

# AP001 Electronic pressure sensor G1/4M M5I



Order by 2 pm - Shipping on the same working day

**130,28 €** offline price 137,86 €

Incl. 5.5% online discount for online orders

### Overview

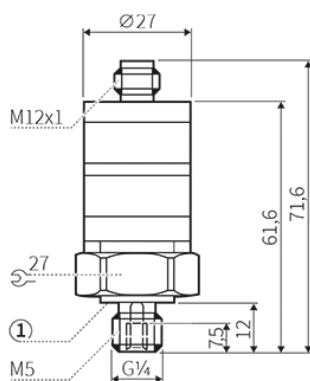
- for liquid and gaseous media
- G 1/4 external thread / M5 internal thread
- 2x normally closed / normally open antivalent
- with LED switch indicator
- can be easily set via setting rings

In daily use - proven millions of times over. Products from autosen are under highest quality requirements regarding robustness, insensitivity and reliability. We offer 5 years warranty - with money-back guarantee!

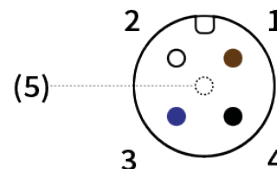
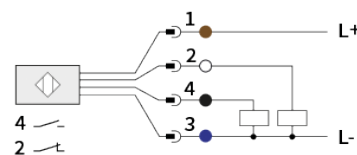
[www.autosen.com/AP001](http://www.autosen.com/AP001)

Direct link to the article on autosen.com

## Dimensional drawing



## Connection & pin assignment



## Dimensional drawing legend

1: sealing FPM / DIN 3869-14

**Order online at**  
**Order by telephone**  
**Order by fax**

[www.autosen.com](http://www.autosen.com)  
**+49 (0) 201/749 189 21**  
**+49 (0) 201/749 189 22**

autosen gmbh • Annastraße 41 • 45130 Essen  
[www.autosen.com](http://www.autosen.com) • [info@autosen.com](mailto:info@autosen.com)  
 We reserve the right to make technical changes without notice - 10/9/2022



## General information

---

Range of application	Liquid and gaseous media
Type of pressure	Relative pressure
Pressure measuring range min.	0 bar
Pressure measuring range max.	10 bar
Switching frequency	100Hz
Bursting pressure	300 bar
Pressure resistance	25 bar
Process connection	External thread G 1/4 Internal thread M 5

## Outputs / inputs

---

Switching output	Antivalent: Normally open + normally closed (adjustable)
IO-Link	No

## Electrical data

---

Operating voltage	9.6 ... 32 V DC
Voltage type	Direct voltage (DC)
Electrical design	PNP
Current carrying capacity max.	500mA
Voltage drop max.	2V
Current consumption max.	25mA
Protection class	III
Short-circuit protection	Yes
Overload-proof	Yes
Reverse polarity protection	Yes

## Mechanical data

---

Materials in contact with the medium	V4A (1.4404) FPM
Union nut tightening torque	25 Nm
Minimum number of switching cycles	50 million
Material of housing	PBT V4A (1.4404) PC FPM
Electrical connection	M12 4-pin Contacts gold-plated

**Order online at**  
**Order by telephone**  
**Order by fax**

[www.autosen.com](http://www.autosen.com)  
**+49 (0) 201/749 189 21**  
**+49 (0) 201/749 189 22**

autosen gmbh • Annastraße 41 • 45130 Essen  
[www.autosen.com](http://www.autosen.com) • [info@autosen.com](mailto:info@autosen.com)  
We reserve the right to make technical changes without notice -  
10/9/2022



## Accuracy

---

Reproducibility	< ± 0.5%
Switching point accuracy	< ± 2.5 %
Linearity deviation	< ± 1.5 (BFSL)

## Ambient conditions

---

Ambient temperature min.	-25°C
Ambient temperature max.	85°C
Medium temperature	-25 ... 80 °C°C
Protection rating	IP67

## Additional information

---

MTTF	540years
Function display	LED Yellow Green
Accessories included with delivery	Seal
EMC test	DIN EN 61000-4-2 ESD DIN EN 61000-4-3 HF radiated
Shock resistance test	DIN EN 60068-2-27
Vibration resistance test	DIN EN 60068-2-6
Adjusting ring	Switching point compensation
Approval	CE cULus



## Accessories: Switching amplifier / evaluation



### AN001

One-channel switching amplifier **Unit price: 76,37 €\***

## Accessories: M12/M12 connection cable | 4-pin | PUR | IP69K



### AA206

Connection cable 10 m PUR  
M12/M12 IP69k

**Unit price: 23,74 €\***



### AA205

Connection cable 10 m PUR  
M12/M12 IP69k

**Unit price: 20,65 €\***



### AA204

Connection cable 5 m PUR  
M12/M12 IP69k

**Unit price: 19,68 €\***



### AA202

Connection cable 5 m PUR  
M12/M12 IP69k

**Unit price: 16,49 €\***



### AA203

Connection cable 2 m PUR  
M12/M12 IP69k

**Unit price: 16,68 €\***



### AA201

Connection cable 2 m PUR  
M12/M12 IP69k

**Unit price: 13,42 €\***

## Accessories: M12 sensor cable | 4-pin | PVC | IP67



### AA042

Sensor cable 10 m Standard  
Class IP67

**Unit price: 10,57 €\***



### AA039

Sensor cable 10 m Standard  
Class IP67

**Unit price: 10,19 €\***



### AA041

Sensor cable 5 m Standard Class  
IP67

**Unit price: 7,85 €\***



### AA038

Sensor cable 5 m Standard Class  
IP67

**Unit price: 7,46 €\***



### AA040

Sensor cable 2 m Standard Class  
IP67

**Unit price: 5,79 €\***



### AA037

Sensor cable 2 m Standard Class  
IP67

**Unit price: 5,73 €\***

## Accessories: M12 sensor cable | 4-pin | PVC | IP69K



### AA025

Sensor cable 25 m PVC M12 4-  
pole IP69k

**Unit price: 21,82 €\***



### AA027

Sensor cable 10 m PVC M12 4-  
pole IP69k

**Unit price: 15,68 €\***



### AA024

Sensor cable 10 m PVC M12 4-  
pole IP69k

**Unit price: 13,96 €\***



### AA026

Sensor cable 5 m PVC M12 4-pole  
IP69k

**Unit price: 13,42 €\***



### AA023

Sensor cable 5 m PVC M12 4-pole  
IP69k

**Unit price: 11,54 €\***



### AA032

Sensor cable 2 m PVC M12 4-pole  
IP69k

**Unit price: 11,73 €\***



### AA031

Sensor cable 2 m PVC M12 4-pole  
IP69k

**Unit price: 11,39 €\***



### AA028

Sensor cable 25 m PVC M12 4-  
pole IP69k

**Unit price: 23,89 €\***

## Accessories: M12 sensor cable | 4-pin | PUR | IP69K



### AA018

Sensor cable 10 m PUR M12 4-  
pole IP69k

**Unit price: 14,55 €\***



### AA017

Sensor cable 10 m PUR M12 4-  
pole IP69k

**Unit price: 12,81 €\***



### AA008

Sensor cable 5 m PUR M12 4-pole  
IP69k

**Unit price: 11,61 €\***



### AA006

Sensor cable 5 m PUR M12 4-pole  
IP69k

**Unit price: 9,95 €\***

Order online at  
Order by telephone  
Order by fax

[www.autosen.com](http://www.autosen.com)  
+49 (0) 201/749 189 21  
+49 (0) 201/749 189 22

autosen gmbh • Annastraße 41 • 45130 Essen  
[www.autosen.com](http://www.autosen.com) • [info@autosen.com](mailto:info@autosen.com)  
We reserve the right to make technical changes without notice -  
10/9/2022



**AA007**

Sensor cable 2 m PUR M12 4-pole IP69k

**Unit price: 10,17 €\*****AA005**

Sensor cable 2 m PUR M12 4-pole IP69k

**Unit price: 8,45 €\*****Accessories: M12 connector | 4-pin | plug****AA946**

Wireable connector angled M12

**Unit price: 6,70 €\*****AA921**

Wireable connector M12

**Unit price: 6,70 €\*****AA959**

Wireable connector angled M12 IP69k

**Unit price: 14,11 €\*****AA961**

Wireable connector angled M12 IP69k

**Unit price: 14,11 €\*****Accessories: M12 connector | 4-pin | socket****AA947**

Wireable socket angled M12

**Unit price: 6,61 €\*****AA939**

Wireable socket M12

**Unit price: 6,61 €\*****AA960**

Wireable socket angled M12 IP69k

**Unit price: 14,11 €\*****AA962**

Wireable socket angled M12 IP69k

**Unit price: 14,11 €\*****Accessories: Passive splitter****AA501**

Passive splitter 4x M12 5 m PUR

**Unit price: 36,60 €\*****AA503**

Passive splitter 4x M12 10 m PUR

**Unit price: 49,11 €\*****AA502**

Passive splitter 8x M12 5 m PUR

**Unit price: 51,12 €\*****AA504**

Passive splitter 8x M12 10 m PUR

**Unit price: 66,80 €\*****Accessories: PNP-NPN converter****AA033**

PNP-NPN converter 5 m PUR M12 BKout

**Unit price: 11,97 €\*****AA034**

PNP-NPN converter 5 m PUR M12 WHout

**Unit price: 11,97 €\*****Accessories: Y-distributor****AA046**

Y-splitter cable M12/2xM12

**Unit price: 17,61 €\*****AA922**

Y distributor M12/2xM12

**Unit price: 11,60 €\***

Order online at  
Order by telephone  
Order by fax

[www.autosen.com](http://www.autosen.com)  
+49 (0) 201/749 189 21  
+49 (0) 201/749 189 22

autosen gmbh • Annastraße 41 • 45130 Essen  
[www.autosen.com](http://www.autosen.com) • [info@autosen.com](mailto:info@autosen.com)  
We reserve the right to make technical changes without notice -  
10/9/2022

